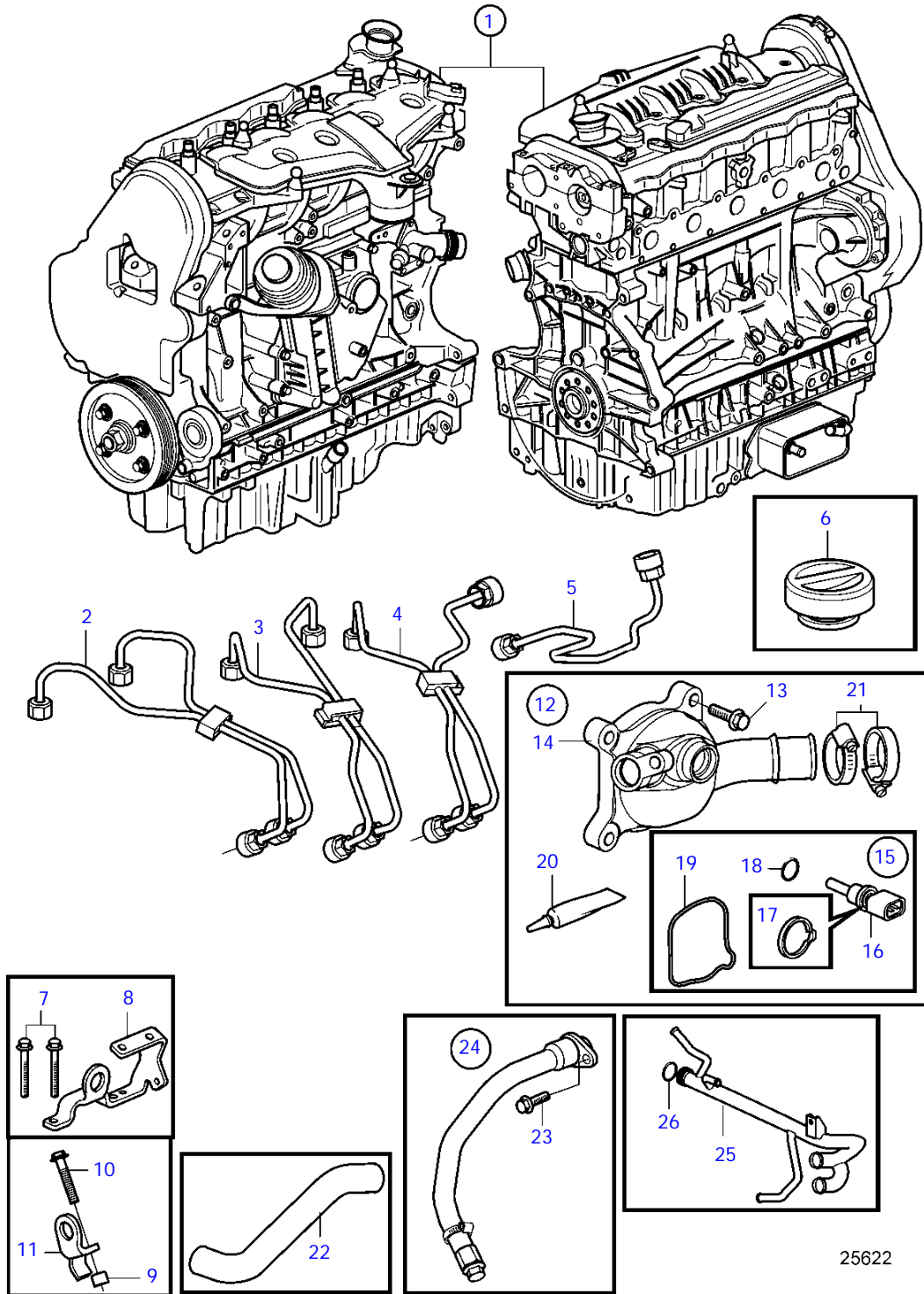


D3-110I-D, D3-110I-E, D3-140I-E, D3-150I-D, D3-140A-D, D3-140A-E, D3-150I-E, D3-170I-D, D3-170I-E, D3-170A-D, D3-170A-E, D3-200I-D, D3-200I-E, D3-200A-D, D3-200A-E, D3-220I-D, D3-220I-E, D3-220A-D, D3-220A-E

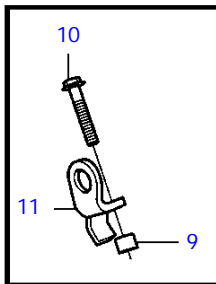
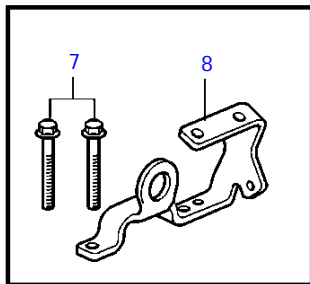
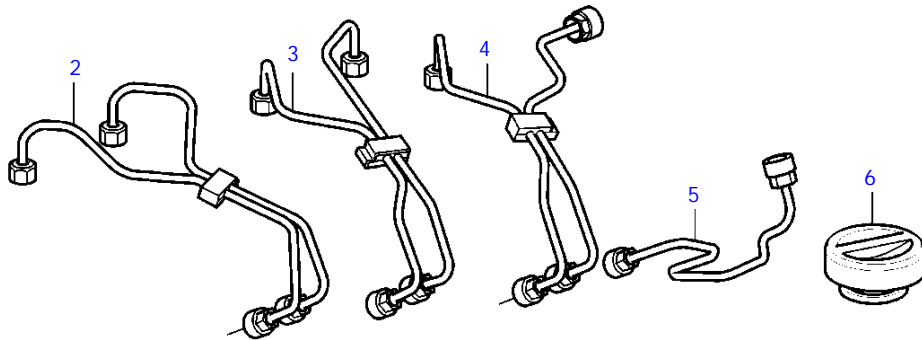
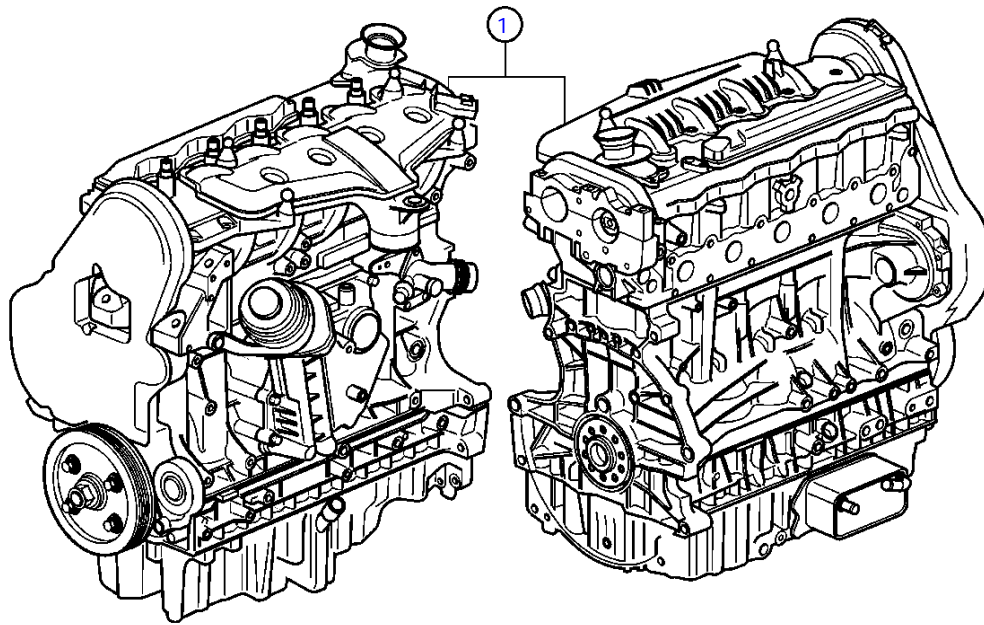


25622

D3-110I-D, D3-110I-E, D3-140I-E, D3-150I-D, D3-140A-D, D3-140A-E, D3-150I-E, D3-170I-D, D3-170I-E, D3-170A-D, D3-170A-E, D3-200I-D, D3-200I-E, D3-200A-D, D3-200A-E, D3-220I-D, D3-220I-E, D3-220A-D, D3-220A-E

REF	PART NO.	QTY	DESCRIPTION	SEE SEC.	NOTES
1	3801382	1	Longblock engine		
2	31251172	1	* Delivery pipe	35714	
3	31251173	1	* Delivery pipe	35714	
4	31251174	1	* Delivery pipe	35714	
5	31251175	1	* Delivery pipe	35714	
6	3819129	1	* Oil filler cap		
7	965181	2	* Flange screw		
8	(21377354)	1	* Lifting eye		Obsolete part
9	973528	1	* Spacer sleeve	35658	
10	965193	1	* Flange screw	35658	
11	(21146441)	1	* Lifting eye		Obsolete part
12	21560216	1	Kit		Needed when ordering longblock
13	986228	1	* 6 point socket screw		Needed when ordering longblock
14	21480802	4	* Water outlet pipe		Needed when ordering longblock
			* Installation Instruction 47701756	47701756-EN	Water Outlet
15	21664969	1	* Small parts kit		Needed when ordering longblock
16		1	* Sensor		Needed when ordering longblock
17	(30713576)	1	* Clip		Obsolete part, Needed when ordering longblock
18	(30713577)	1	* O-ring		Obsolete part, Needed when ordering longblock
19	(31293624)	1	* Sealing		Obsolete part, Needed when ordering longblock
20	1161059	1	* Sealing compound		Needed when ordering longblock
21	961670	2	* Hose clamp		Needed when ordering longblock
22	21454184	1	* Hose		Needed when ordering longblock
23	946544	1	* Flange screw		Needed when ordering longblock
24	21462783	1	Hose		Needed when ordering longblock, SN-2003018457
25	21591184	1	Inlet pipe		Needed when ordering longblock
26	976045	1	O-ring		Needed when ordering longblock

D3-110I-D, D3-110I-E, D3-140I-E, D3-150I-D, D3-140A-D, D3-140A-E, D3-150I-E, D3-170I-D, D3-170I-E, D3-170A-D, D3-170A-E, D3-200I-D, D3-200I-E, D3-200A-D, D3-200A-E, D3-220I-D, D3-220I-E, D3-220A-D, D3-220A-E

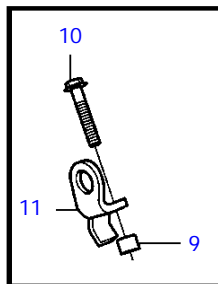
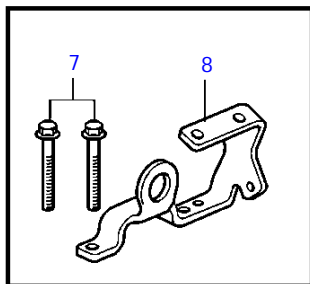
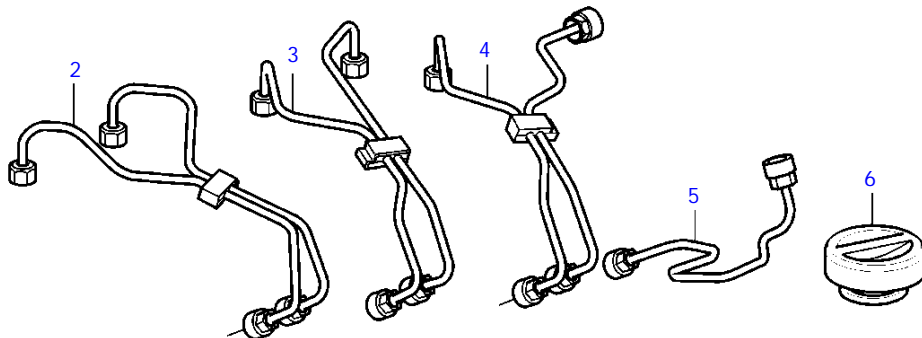
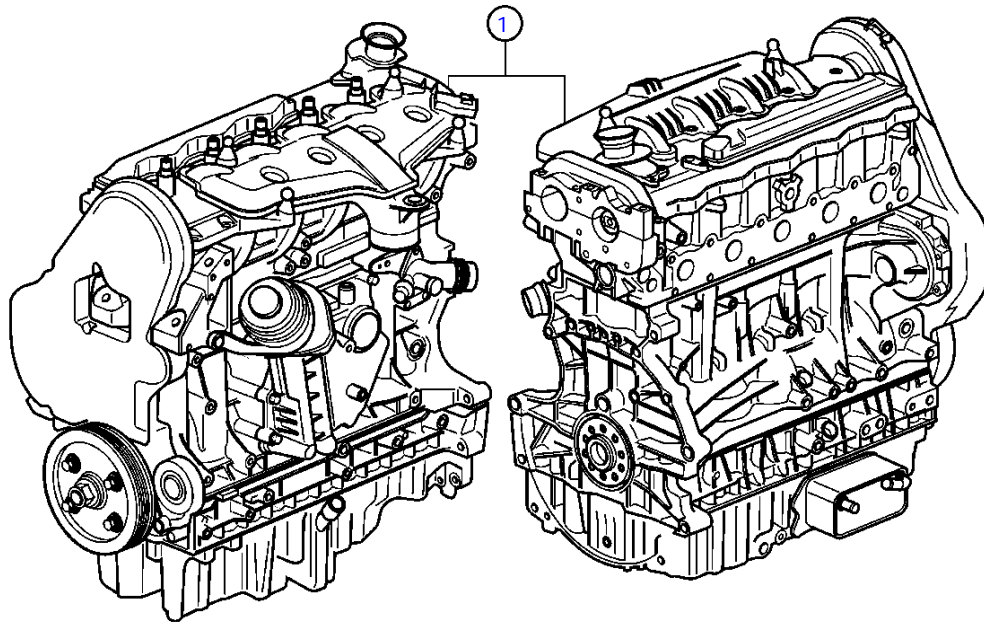


24794

D3-110I-D, D3-110I-E, D3-140I-E, D3-150I-D, D3-140A-D, D3-140A-E, D3-150I-E, D3-170I-D, D3-170I-E, D3-170A-D, D3-170A-E, D3-200I-D, D3-200I-E, D3-200A-D, D3-200A-E, D3-220I-D, D3-220I-E, D3-220A-D, D3-220A-E

REF	PART NO.	QTY	DESCRIPTION	SEE SEC.	NOTES
1	3801382	1	Longblock engine		
2	31251172	1	* Delivery pipe	35714	
3	31251173	1	* Delivery pipe	35714	
4	31251174	1	* Delivery pipe	35714	
5	31251175	1	* Delivery pipe	35714	
6	3819129	1	* Oil filler cap		
7	965181	2	* Flange screw		
8	(21377354)	1	* Lifting eye		Obsolete part
9	973528	1	* Spacer sleeve	35658	
10	965193	1	* Flange screw	35658	
11	(21146441)	1	* Lifting eye		Obsolete part
12	955083	1	Cap plug		

D3-110I-F, D3-140I-F, D3-140A-F, D3-150I-F, D3-170I-F, D3-170A-F, D3-200I-F, D3-200A-F, D3-220I-F, D3-220A-F

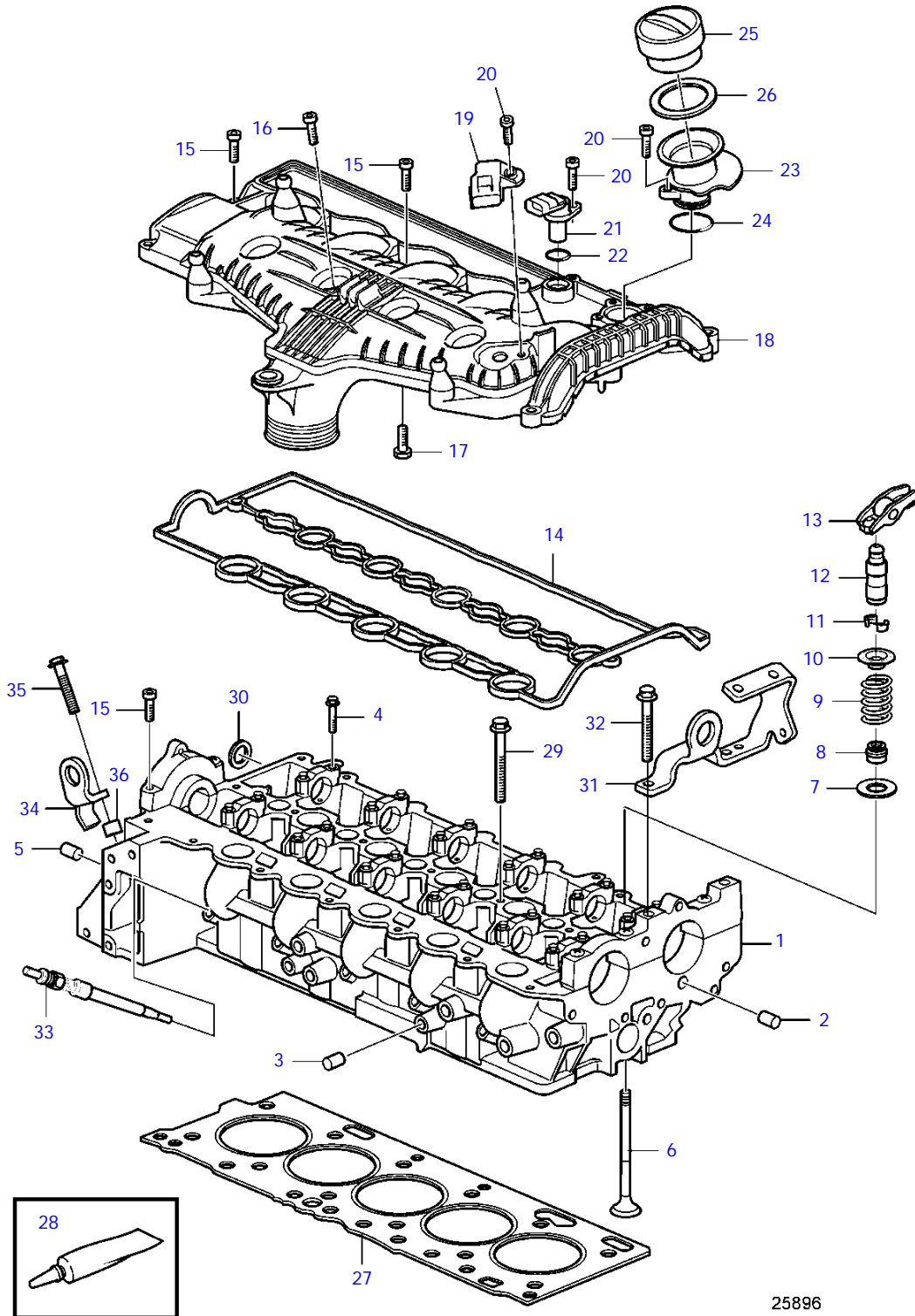


24794

D3-110I-F, D3-140I-F, D3-140A-F, D3-150I-F, D3-170I-F, D3-170A-F, D3-200I-F, D3-200A-F, D3-220I-F, D3-220A-F

REF	PART NO.	QTY	DESCRIPTION	SEE SEC.	NOTES
1	3801467	1	Longblock engine		D3-F
2	31251172	1	* Delivery pipe	35714	
3	31251173	1	* Delivery pipe	35714	
4	31251174	1	* Delivery pipe	35714	
5	31251175	1	* Delivery pipe	35714	
6	3819129	1	* Oil filler cap		
7	965181	2	* Flange screw		
8	(21377354)	1	* Lifting eye		Obsolete part
9	973528	1	* Spacer sleeve	35658	
10	965193	1	* Flange screw	35658	
11	(21146441)	1	* Lifting eye		Obsolete part
12	955083	1	Cap plug		

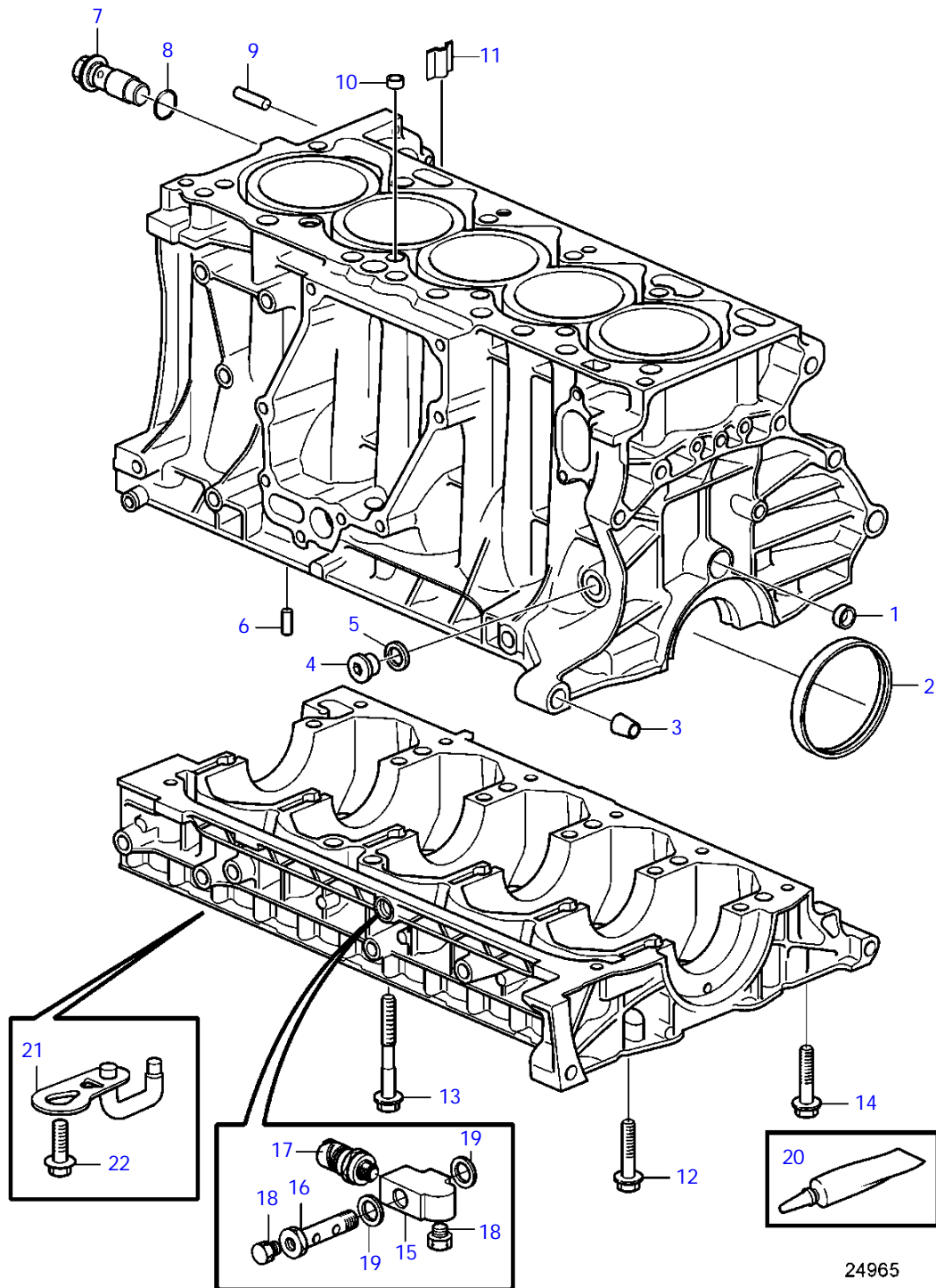
D3-110I-D, D3-110I-E, D3-110I-F, D3-140I-E, D3-140I-F, D3-150I-D, D3-140A-D, D3-140A-E, D3-140A-F, D3-150I-E, D3-150I-F, D3-170I-D, D3-170I-E, D3-170I-F, D3-170A-D, D3-170A-E, D3-170A-F, D3-200I-D, D3-200I-E, D3-200I-F, D3-200A-D, D3-200A-E, D3-200A-F, D3-220I-D, D3-220I-E, D3-220I-F, D3-220A-D, D3-220A-E, D3-220A-F



D3-110I-D, D3-110I-E, D3-110I-F, D3-140I-E, D3-140I-F, D3-150I-D, D3-140A-D, D3-140-A-E, D3-140A-E, D3-140A-F, D3-150I-E, D3-150I-F, D3-170I-D, D3-170I-E, D3-170I-F, D3-170A-D, D3-170A-E, D3-170A-F, D3-200I-D, D3-200I-E, D3-200I-F, D3-200A-D, D3-200A-E, D3-200A-F, D3-220I-D, D3-220I-E, D3-220I-F, D3-220A-D, D3-220A-E, D3-220A-F

REF	PART NO.	QTY	DESCRIPTION	NOTES
1	3801383	1	Cylinder head	
2	946780	1	* Cap plug	
3	946779	2	* Cap plug	
4	982761	24	* Flange screw	M6x35mm
5	981713	3	* Plug	
6	8631650	10	* Inlet valve	
	8631651	10	* Exhaust valve	
7	8631655	20	* Valve spring washer, lower	
8	8631652	20	* Valve stem seal	
9	31258132	20	* Valve spring	
10	8631654	20	* Valve spring washer, upper	
11	9454613	40	* Valve collet	
12	31251885	20	* Pivot	
13	8670045	20	* Tappet	
14	30777600	1	Gasket	
15	31272194	22	Spare parts kit	
16	987740	5	Flange screw	
17	987349	12	6 point socket screw	
18	31286262	1	Valve cover	Replaced by 31330239
	31330239	1	Valve cover	Replaced by 31338169
	31338169	1	Valve cover	
19	31216308	1	Pressure sensor	
20	986072	5	6 point socket screw	M6x25mm
21	8658726	1	Sensor	
22	30756062	1	O-ring	
23	30777537	1	Oil filler pipe	
24	30757159	1	* O-ring	
25	30677517	1	Oil filler cap	
26	30677740	1	* O-ring	
27	31336211	1	Cylinder head gasket	Class 1
	31336212	1	Cylinder head gasket	Class 2
	31336213	1	Cylinder head gasket	Class 3
	31336214	1	Cylinder head gasket	Class 4
	31336215	1	Cylinder head gasket	Class 5
28	1161059	X	Sealing compound	
29	30777636	12	Flange screw	M12x197mm
30	8631561	1	Sealing ring	
31	(21377354)	1	Lifting eye	Obsolete part
32	965181	2	Flange screw	M8x70mm
33	8631607	5	Glow plug	12V, SOLAS
34	(21146441)	1	Lifting eye	Obsolete part
35	965193	1	Flange screw	M12x50mm
36	973528	1	Spacer sleeve	

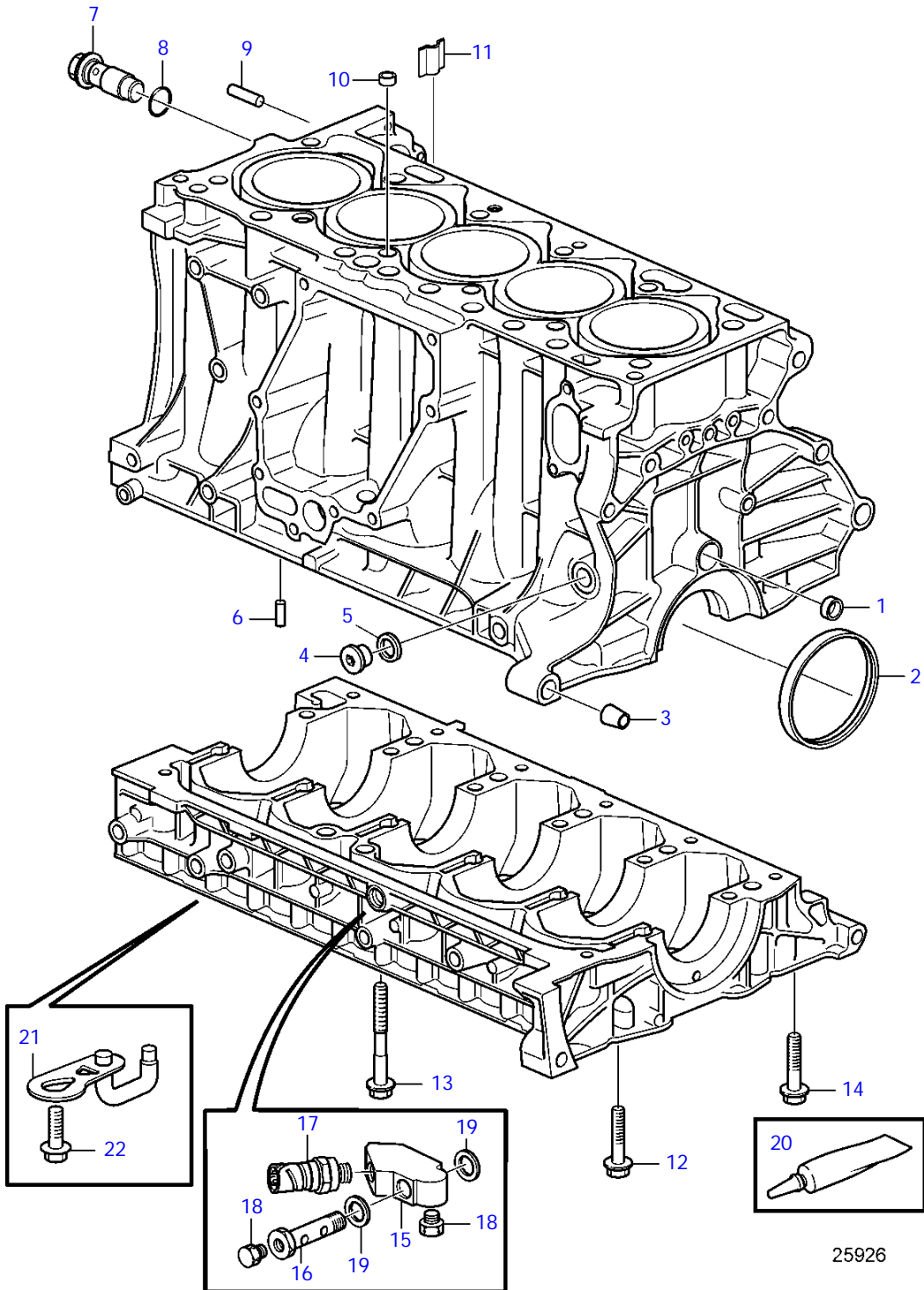
D3-110I-D, D3-110I-E, D3-140I-E, D3-150I-D, D3-140A-D, D3-140A-E, D3-140A-E, D3-150I-E, D3-170I-D, D3-170I-E, D3-170A-D, D3-170A-E, D3-200I-D, D3-200I-E, D3-200A-D, D3-200A-E, D3-220I-D, D3-220I-E, D3-220A-D, D3-220A-E



D3-110I-D, D3-110I-E, D3-140I-E, D3-150I-D, D3-140A-D, D3-140-A-E, D3-140A-E, D3-150I-E, D3-170I-D, D3-170I-E, D3-170A-D, D3-170A-E, D3-200I-D, D3-200I-E, D3-200A-D, D3-200A-E, D3-220I-D, D3-220I-E, D3-220A-D, D3-220A-E

REF	PART NO.	QTY	DESCRIPTION	NOTES
1	8687868	1	Cap plug	
2	9458178	1	Sealing ring	
3	1256394	2	Guide sleeve	
4	30713237	1	Plug	
5	11996	1	Gasket	
6	1383730	5	Locating pin	
7	30750943	1	Piston cooling valve	
8	11998	1	Gasket	
9	950542	2	Pin	
10	1366129	2	Guide sleeve	
11	8631501	1	Guide rail	
12	987736	5	Flange screw	M7x70mm
13	1256343	12	Screw	M10x117mm
14	987962	12	Flange screw	M8x70mm
15	21379273	1	Connection block	
16	21449352	1	Adapler	
17	21302639	1	Pressure sensor	
18	981749	2	Plug	
19	969011	2	Gasket	
20	1161059	X	Sealing compound	
21	30750790	5	Piston cooling jet	
22	975880	5	Flange screw	

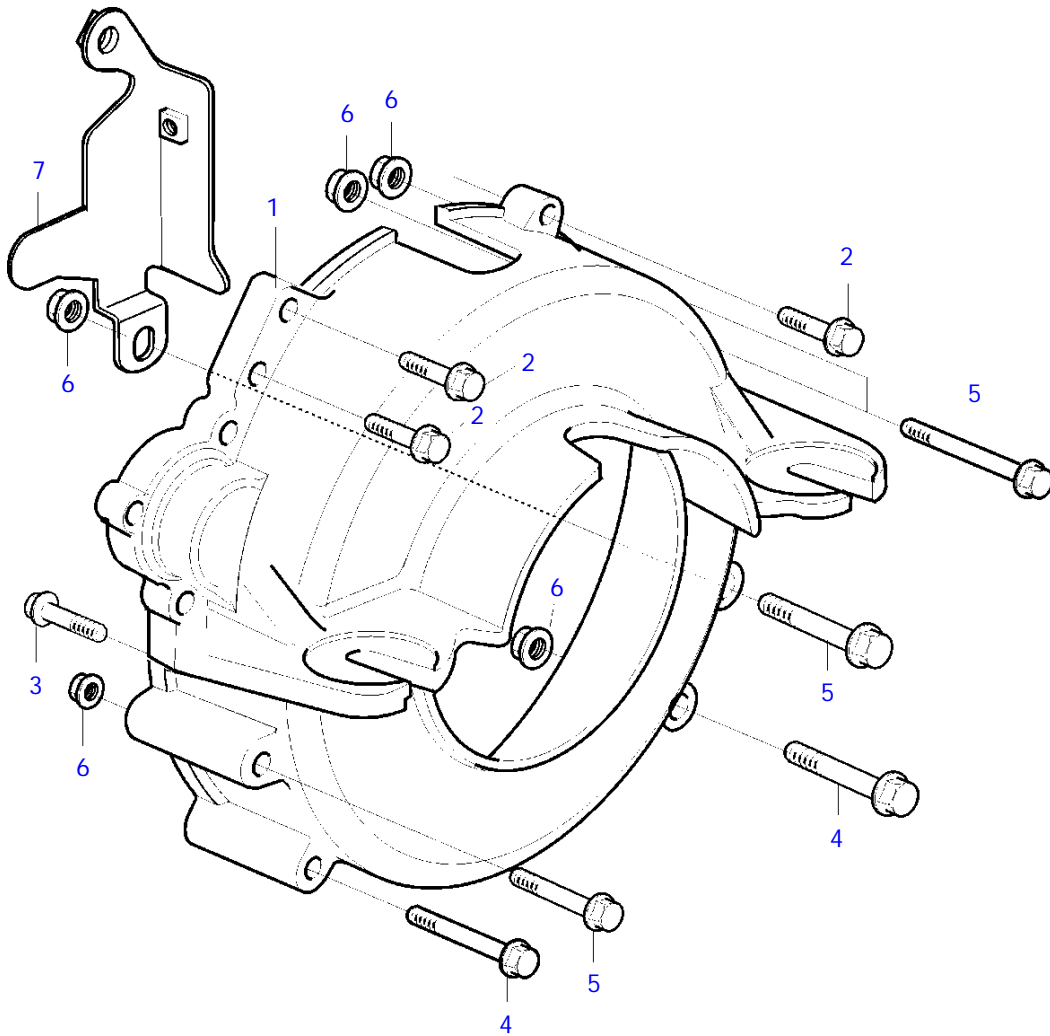
D3-110I-F, D3-140I-F, D3-140A-F, D3-150I-F, D3-170I-F, D3-170A-F, D3-200I-F, D3-200A-F, D3-220I-F, D3-220A-F



D3-110I-F, D3-140I-F, D3-140A-F, D3-150I-F, D3-170I-F, D3-170A-F, D3-200I-F, D3-200A-F, D3-220I-F, D3-220A-F

REF	PART NO.	QTY	DESCRIPTION	NOTES
1	8687868	1	Cap plug	
2	9458178	1	Sealing ring	
3	1256394	2	Guide sleeve	
4	30713237	1	Plug	
5	11996	1	Gasket	
6	1383730	5	Locating pin	
7	30750943	1	Piston cooling valve	
8	11998	1	Gasket	
9	950542	2	Pin	
10	1366129	2	Guide sleeve	
11	8631501	1	Guide rail	
12	987736	5	Flange screw	M7x70mm
13	1256343	12	Screw	M10x117mm
14	987962	12	Flange screw	M8x70mm
15	21636474	1	Connection block	
16	21636477	1	Hollow screw	
17	21302639	1	Pressure sensor	
18	981749	2	Plug	
19	11994	2	Gasket	
20	1161059	X	Sealing compound	
21	30750790	5	Piston cooling jet	
22	975880	5	Flange screw	

D3-140A-D, D3-140A-E, D3-140A-F, D3-170A-D, D3-170A-E, D3-170A-F, D3-200A-D, D3-200A-E, D3-200A-F, D3-220A-D, D3-220A-E, D3-220A-F

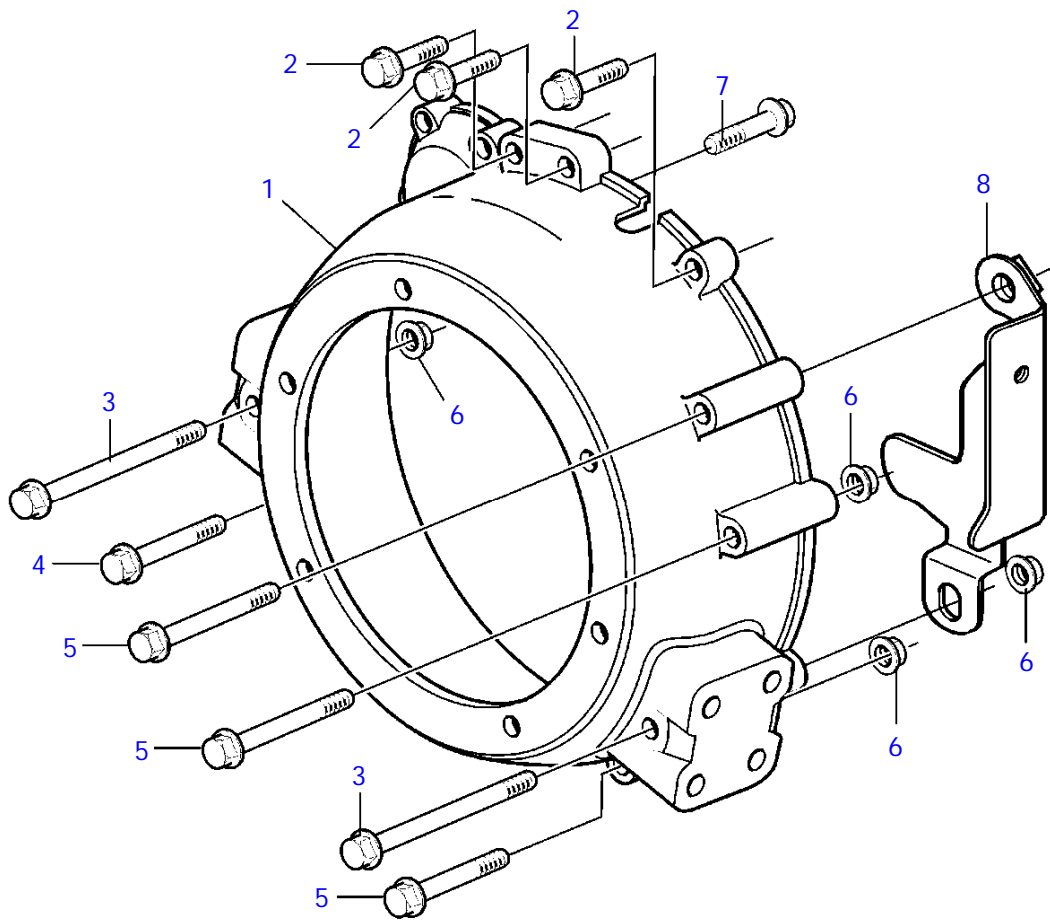


25657

D3-140A-D, D3-140A-E, D3-140A-F, D3-170A-D, D3-170A-E, D3-170A-F, D3-200A-D, D3-200A-E, D3-200A-F, D3-220A-D, D3-220A-E, D3-220A-F

REF	PART NO.	QTY	DESCRIPTION	NOTES
1	3819497	1	Flywheel housing	
2	965185	3	Flange screw	M10x40mm
3	965188	1	Flange screw	M10x70mm
4	965189	2	Flange screw	M10x90mm
5	969313	4	Flange screw	M10x110mm
6	971095	5	Flange nut	M10x10mm
7	40005031	1	Cover	

D3-110I-D, D3-110I-E, D3-110I-F, D3-150I-D, D3-150I-E, D3-150I-F, D3-170I-D, D3-170I-E, D3-170I-F, D3-200I-D, D3-200I-E, D3-200I-F, D3-220I-D, D3-220I-E, D3-220I-F

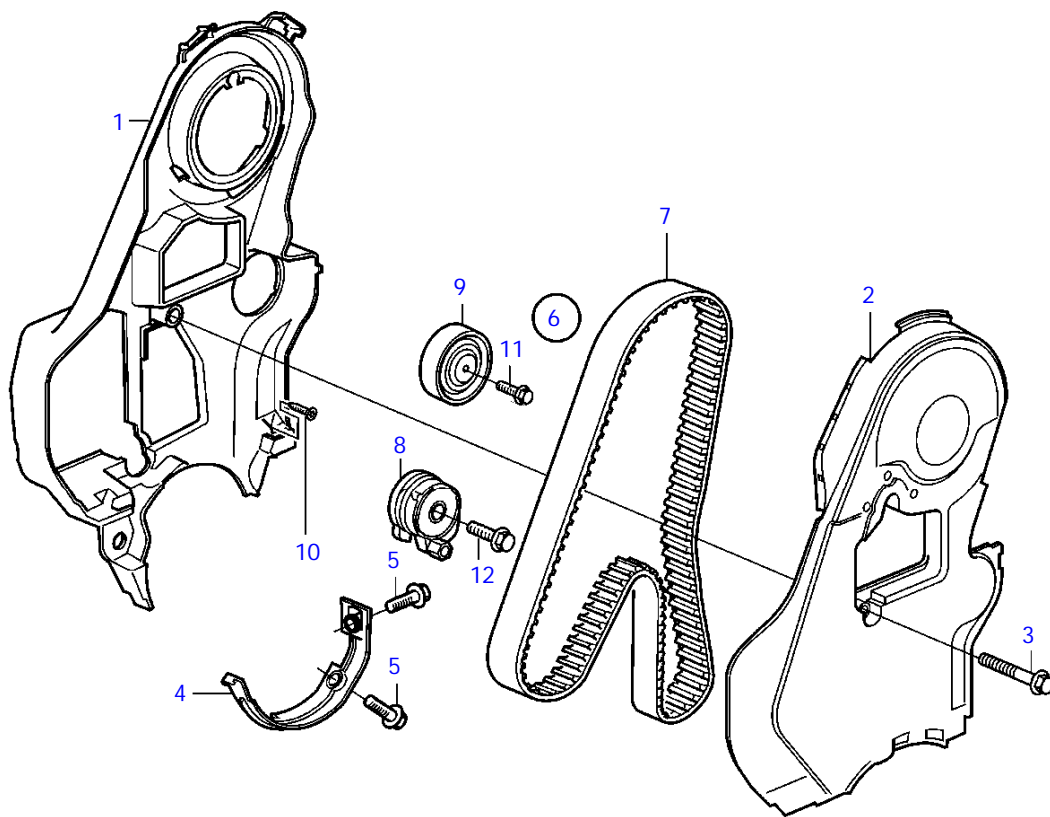


24878

D3-110I-D, D3-110I-E, D3-110I-F, D3-150I-D, D3-150I-E, D3-150I-F, D3-170I-D, D3-170I-E, D3-170I-F, D3-200I-D, D3-200I-E, D3-200I-F, D3-220I-D, D3-220I-E, D3-220I-F

REF	PART NO.	QTY	DESCRIPTION	NOTES
1	21274806	1	Flywheel housing	
2	965185	3	Flange screw	L=40mm
3	973098	2	Flange screw	L=150mm
4	965189	1	Flange screw	L=90mm
5	969313	3	Flange screw	L=110mm
6	971095	5	Flange nut	
7	965188	1	Flange screw	M10x70mm
8	40005031	1	Cover	

D3-110I-D, D3-110I-E, D3-110I-F, D3-140I-E, D3-140I-F, D3-150I-D, D3-140A-D, D3-140A-E, D3-140A-F, D3-150I-E, D3-150I-F, D3-170I-D, D3-170I-E, D3-170I-F, D3-170A-D, D3-170A-E, D3-170A-F, D3-200I-D, D3-200I-E, D3-200I-F, D3-200A-D, D3-200A-E, D3-200A-F, D3-220I-D, D3-220I-E, D3-220I-F, D3-220A-D, D3-220A-E, D3-220A-F



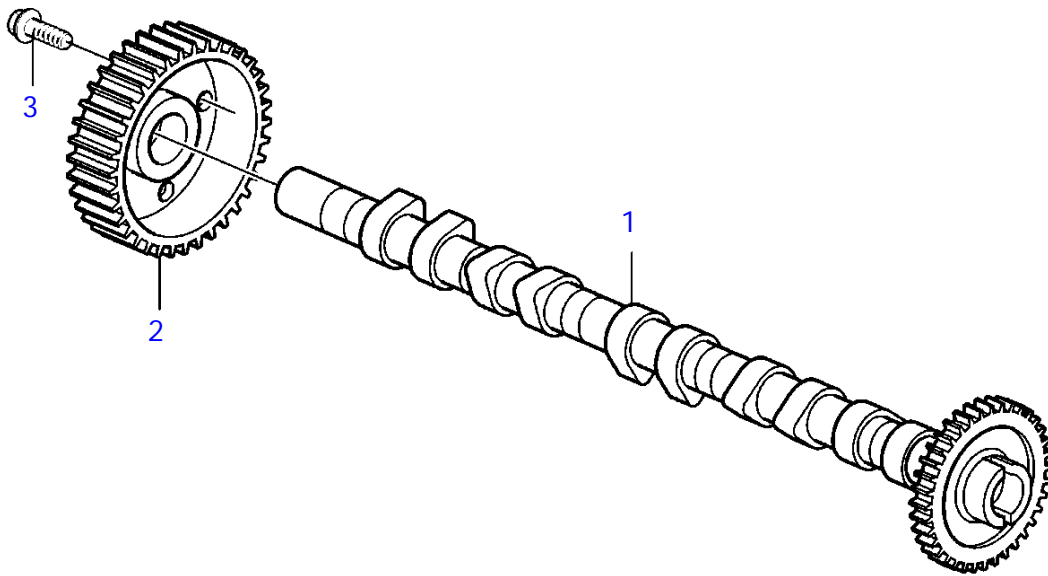
25030

D3-110I-D, D3-110I-E, D3-110I-F, D3-140I-E, D3-140I-F, D3-150I-D, D3-140A-D, D3-140-A-E, D3-140A-E, D3-140A-F, D3-150I-E, D3-150I-F, D3-170I-D, D3-170I-E, D3-170I-F, D3-170A-D, D3-170A-E, D3-170A-F, D3-200I-D, D3-200I-E, D3-200I-F, D3-200A-D, D3-200A-E, D3-200A-F, D3-220I-D, D3-220I-E, D3-220I-F, D3-220A-D, D3-220A-E, D3-220A-F

REF	PART NO.	QTY	DESCRIPTION	NOTES
1	8658108	1	Belt protector	Rear
2	8658107	1	Belt protector	Front
3	987966	1	Flange screw	
4	30757554	1	Belt protector	Lower
5	985254	2	Flange screw	
6	31258305	1	Tooth belt	
7	31258306	1	* Tooth belt	
8	30731774	1	* Tensioner	
9	8692561	1	* Idler pulley	
10	986387	3	6 point socket screw	
11	985374	1	Flange screw	
12	987498	1	Sems screw	

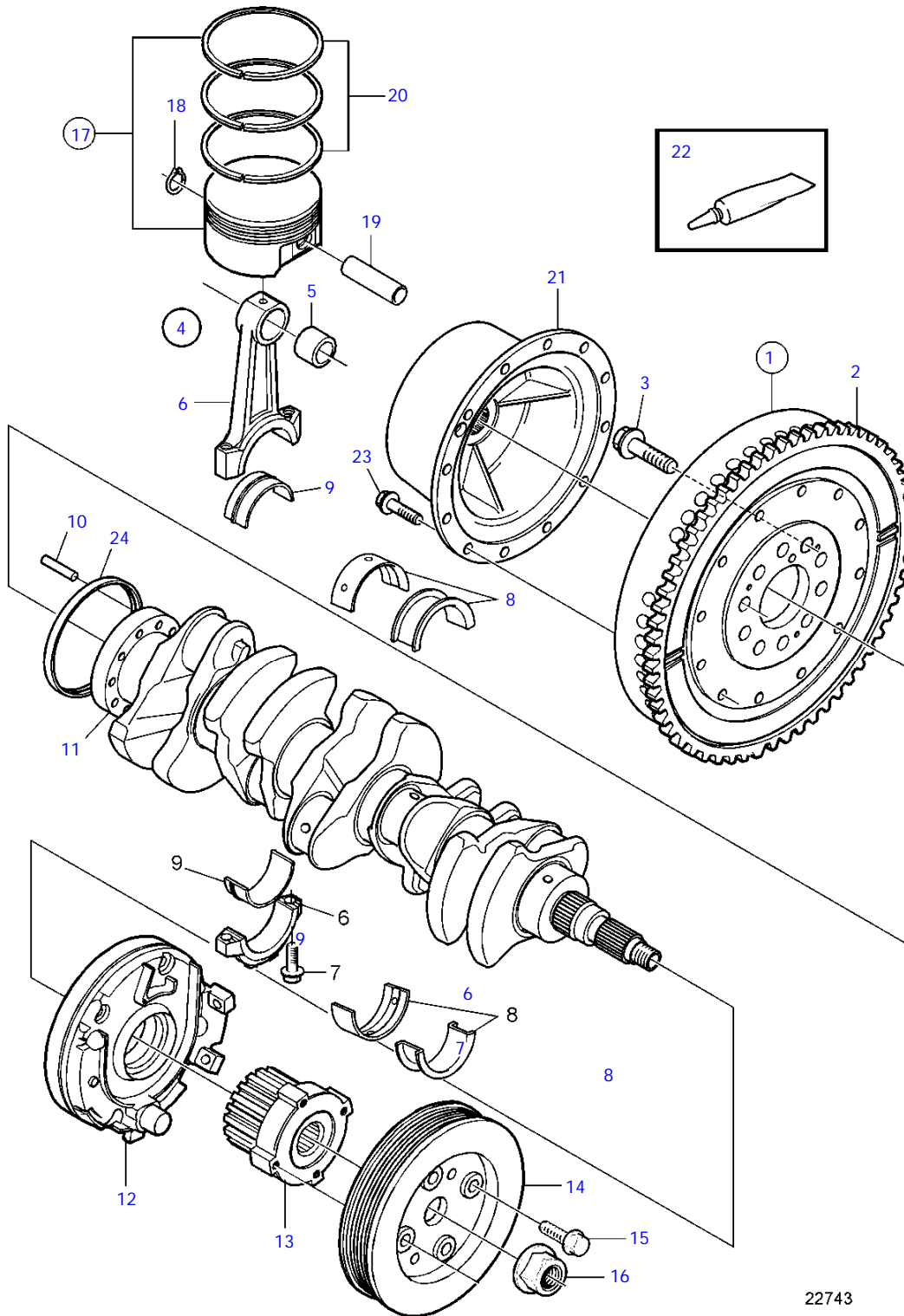


D3-110I-D, D3-110I-E, D3-110I-F, D3-140I-E, D3-140I-F, D3-150I-D, D3-140A-D, D3-140A-E, D3-140A-F, D3-150I-E, D3-150I-F, D3-170I-D, D3-170I-E, D3-170I-F, D3-170A-D, D3-170A-E, D3-170A-F, D3-200I-D, D3-200I-E, D3-200I-F, D3-200A-D, D3-200A-E, D3-200A-F, D3-220I-D, D3-220I-E, D3-220I-F, D3-220A-D, D3-220A-E, D3-220A-F



24848

D3-140A-D, D3-140A-E, D3-170A-D, D3-170A-E, D3-200A-D, D3-200A-E, D3-220A-D, D3-220A-E

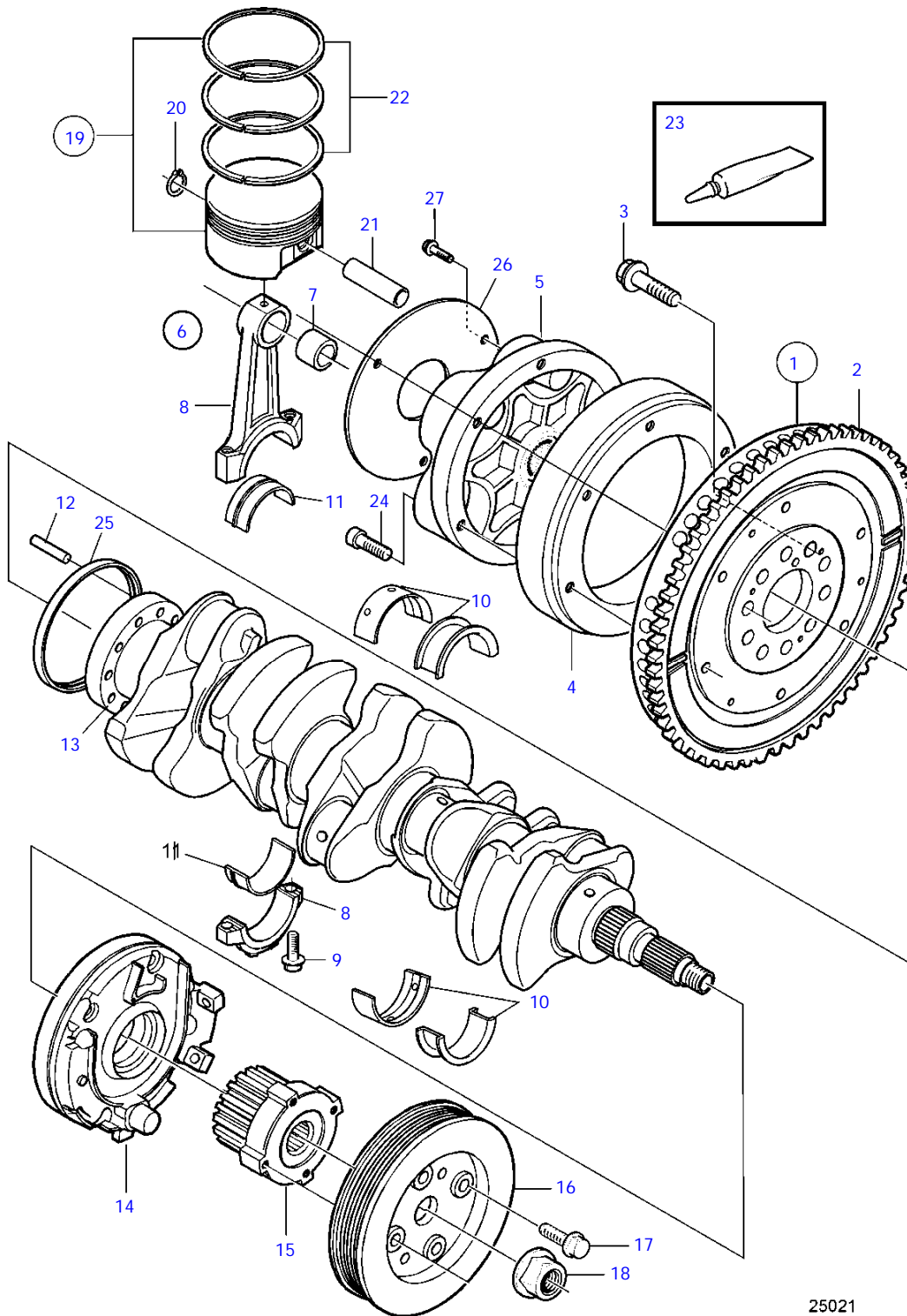


22743

D3-140A-D, D3-140A-E, D3-170A-D, D3-170A-E, D3-200A-D, D3-200A-E, D3-220A-D, D3-220A-E

REF	PART NO.	QTY	DESCRIPTION	SEE SEC.	NOTES
1	21317215	1	Flywheel		Replaced by 21517500
	21517500	1	Flywheel		
2	3818641	1	* Gear ring		
3	9454743	10	Screw		
4	30777189	5	Connecting rod		SN2003015858-
5		1	* Bushing		
6		1	* Connecting rod		
7	9497858	2	* Screw		
8	31251378	5	Main bearing		Without flange, red, See Workshop Manual
	31251379	5	Main bearing		Without flange, yellow, See Workshop Manual
	31251380	5	Main bearing		Without flange, blue, See Workshop Manual
	31251381	5	Main bearing		Without flange green, See Workshop Manual
	31251597	1	Main bearing		With flange, red, See Workshop Manual
	31251598	1	Main bearing		With flange, yellow, See Workshop Manual
	31251599	1	Main bearing		With flange, blue, See Workshop Manual
9	31251996	1	Big-end bearing kit		
10	973660	1	Spring pin		
11	9465781	1	Crankshaft		
12		1	Oil pump	35762	
13	1275366	1	Pulley		
14	31258122	1	Oscillation damper		
15				35649	M10x30mm
16	3531111	1	Nut		
17	31251737	1	Piston		Class C, SN-2003015855
	31251738	1	Piston		Class D, SN-2003015855
	31251739	1	Piston		Class E, SN-2003015855
	31272195	1	Piston kit		Class C, SN2003015858-
	31272196	1	Piston kit		Class D, SN2003015858-
	31272197	1	Piston kit		Class E, SN2003015858-
18	(30777225)	1	* Lock ring		Obsolete part
19		1	* Piston pin		
20	30750678	1	Piston ring kit		
21	21373176	1	Flexible coupling		
22	(598034)	1	Grease		Obsolete part
23	946671	6	Flange screw		
24	9458178	1	Sealing ring		

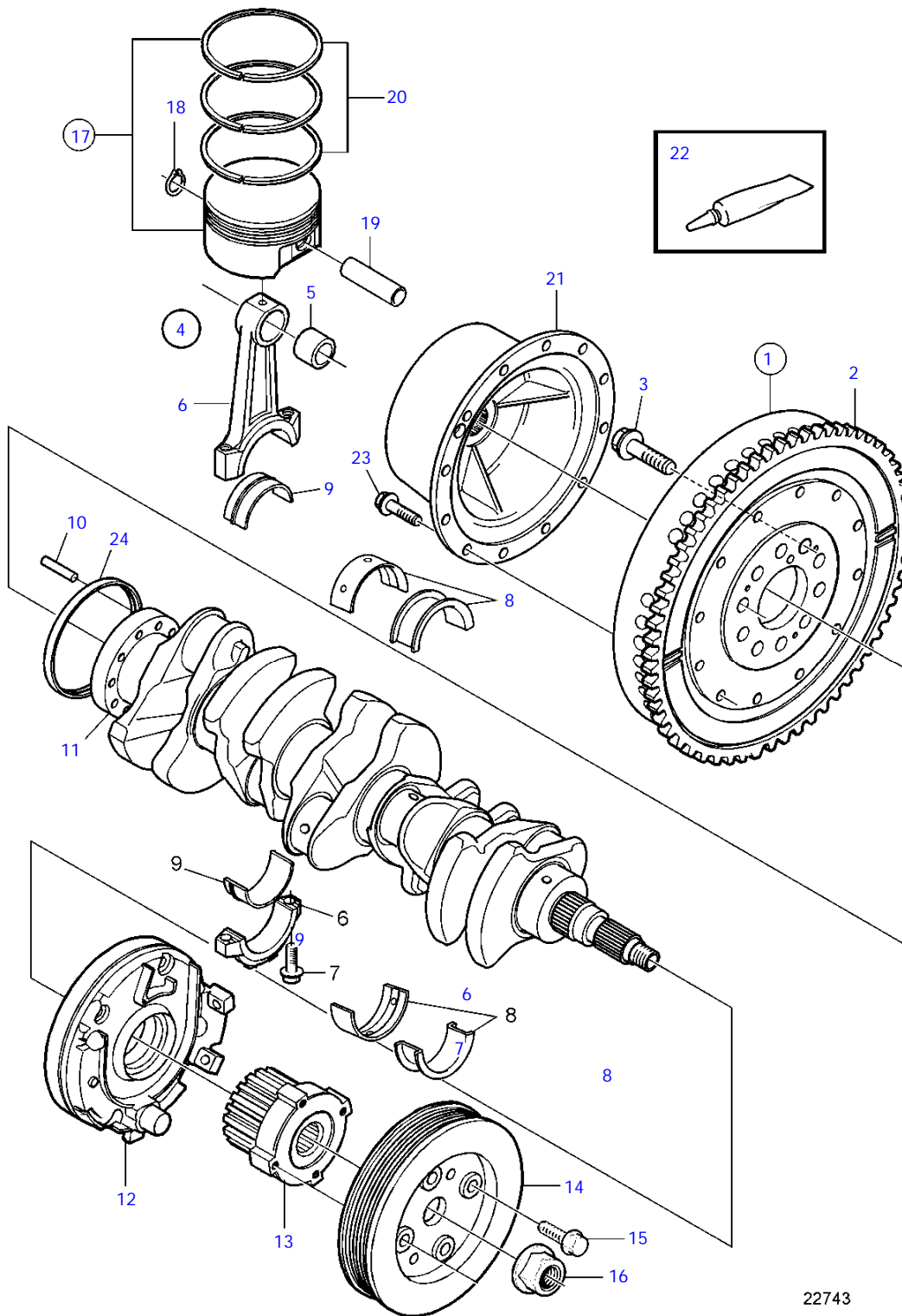
D3-110I-D, D3-110I-E, D3-150I-D, D3-150I-E, D3-170I-D, D3-170I-E, D3-200I-D, D3-200I-E, D3-220I-D, D3-220I-E



D3-110I-D, D3-110I-E, D3-150I-D, D3-150I-E, D3-170I-D, D3-170I-E, D3-200I-D, D3-200I-E, D3-220I-D, D3-220I-E

REF	PART NO.	QTY	DESCRIPTION	SEE SEC.	NOTES
1	21317215	1	Flywheel		Replaced by 21517500
	21517500	1	Flywheel		
2	3818641	1	* Gear ring		
3	9454743	10	Screw		
4	21429352	1	Adapter ring		
5	21416069	1	Flexible coupling		
6	30777189	5	Connecting rod		
7		1	* Bushing		
8		1	* Connecting rod		
9	9497858	2	* Screw		
10	31251378	5	Main bearing		Without flange, red, See Workshop Manual
	31251379	5	Main bearing		Without flange, yellow, See Workshop Manual
	31251380	5	Main bearing		Without flange, blue, See Workshop Manual
	31251381	5	Main bearing		Without flange green, See Workshop Manual
	31251597	1	Main bearing		With flange, red, See Workshop Manual
	31251598	1	Main bearing		With flange, yellow, See Workshop Manual
	31251599	1	Main bearing		With flange, blue, See Workshop Manual
11	31251996	1	Big-end bearing kit		
12	973660	1	Spring pin		
13	9465781	1	Crankshaft		
14	30777092	1	Oil pump		
15	1275366	1	Pulley		
16	30731865	1	Vibration damper		
17	975101		Flange screw		M10x30mm
18	3531111	1	Nut		
19	31251737	1	Piston		Class C, SN-2003015855
	31251738	1	Piston		Class D, SN-2003015855
	31251739	1	Piston		Class E, SN-2003015855
	31272195	1	Piston kit		Class C, SN2003015858-
	31272196	1	Piston kit		Class D, SN2003015858-
	31272197	1	Piston kit		Class E, SN2003015858-
20	(30777225)	1	* Lock ring		Obsolete part
21		1	* Piston pin		
22	30750678	1	Piston ring kit		
23	(598034)	1	Grease		Obsolete part
24	959230	6	Hex. socket screw		
25	9458178	1	Sealing ring		
26	21546260	1	Kit		Option, Extra mass, Replaced by 21752671
	21752671	1	Plate		
			* Installation Instruction 47700624	47700624-EN	Rubber Roller Kit
27	965185	3	Flange screw		

D3-140A-F, D3-170A-F, D3-200A-F, D3-220A-F

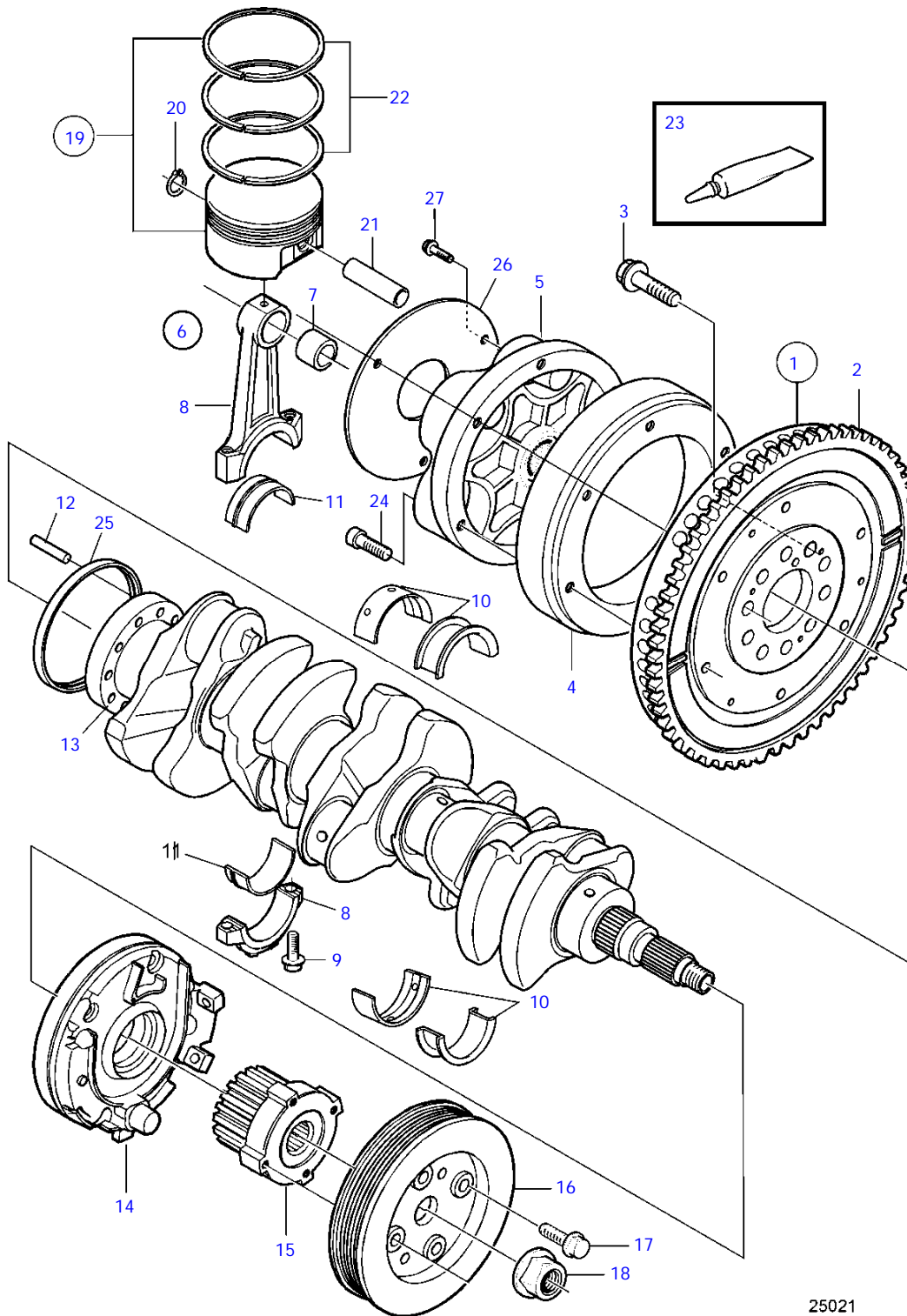


22743

D3-140A-F, D3-170A-F, D3-200A-F, D3-220A-F

REF	PART NO.	QTY	DESCRIPTION	SEE SEC.	NOTES
1	21317215	1	Flywheel		Replaced by 21517500
	21517500	1	Flywheel		
2	3818641	1	* Gear ring		
3	9454743	10	Screw		
4	30777189	5	Connecting rod		SN2003015858-
5		1	* Bushing		
6		1	* Connecting rod		
7	9497858	2	* Screw		
8	31251378	5	Main bearing		Without flange, red, See Workshop Manual
	31251379	5	Main bearing		Without flange, yellow, See Workshop Manual
	31251380	5	Main bearing		Without flange, blue, See Workshop Manual
	31251381	5	Main bearing		Without flange green, See Workshop Manual
	31251597	1	Main bearing		With flange, red, See Workshop Manual
	31251598	1	Main bearing		With flange, yellow, See Workshop Manual
	31251599	1	Main bearing		With flange, blue, See Workshop Manual
9	31251996	1	Big-end bearing kit		
10	973660	1	Spring pin		
11	9465781	1	Crankshaft		
12		1	Oil pump	35762	
13	1275366	1	Pulley		
14	31258122	1	Oscillation damper		
15				35649	M10x30mm
16	3531111	1	Nut		
17	21714074	1	Piston kit		
18	(30777225)	1	* Lock ring		Obsolete part
19		1	* Piston pin		
20	30750678	1	* Piston ring kit		
21	21373176	1	Flexible coupling		
22	(598034)	1	Grease		Obsolete part
23	946671	6	Flange screw		
24	9458178	1	Sealing ring		

D3-110I-F, D3-150I-F, D3-170I-F, D3-200I-F, D3-220I-F

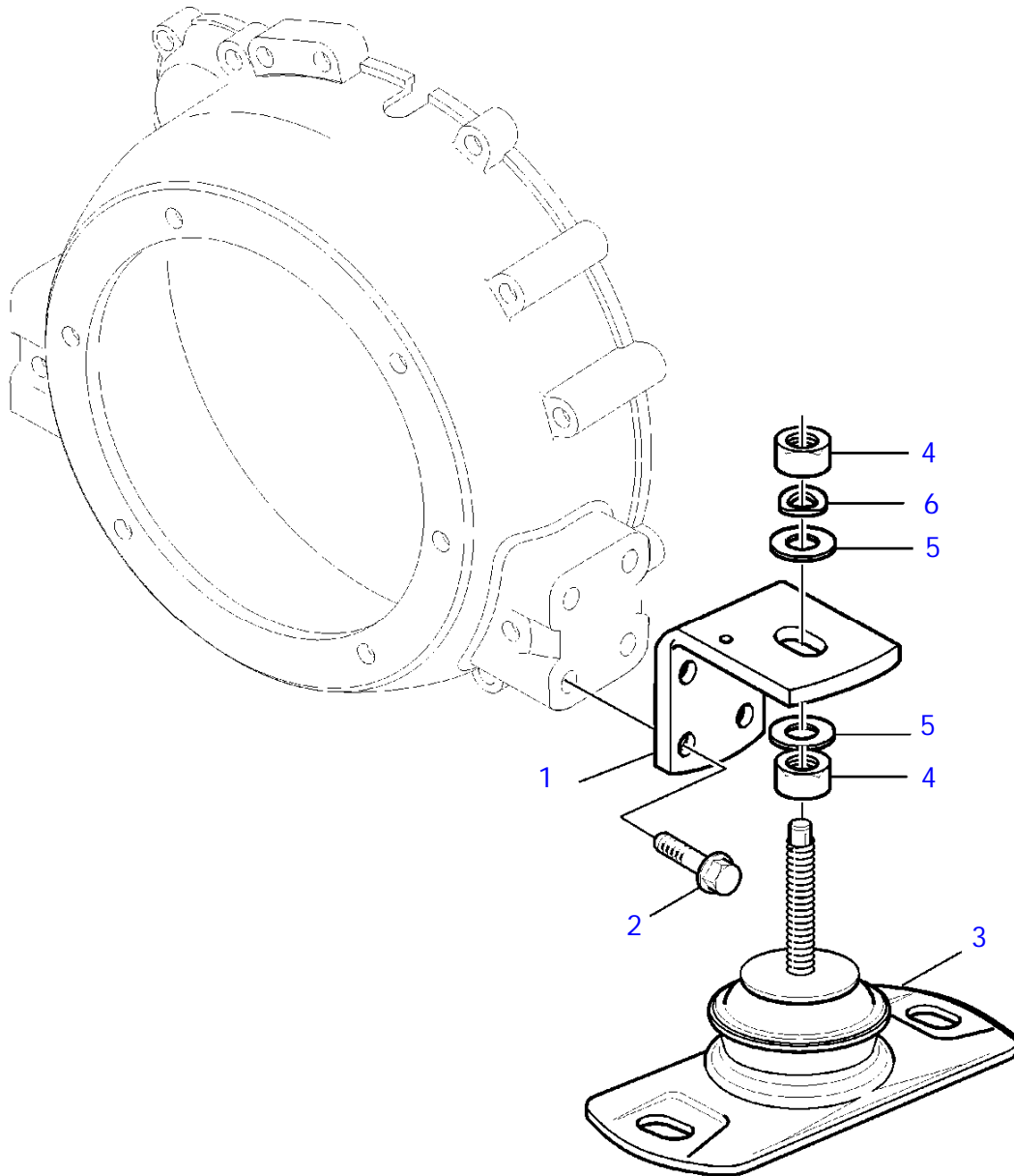


25021

D3-110I-F, D3-150I-F, D3-170I-F, D3-200I-F, D3-220I-F

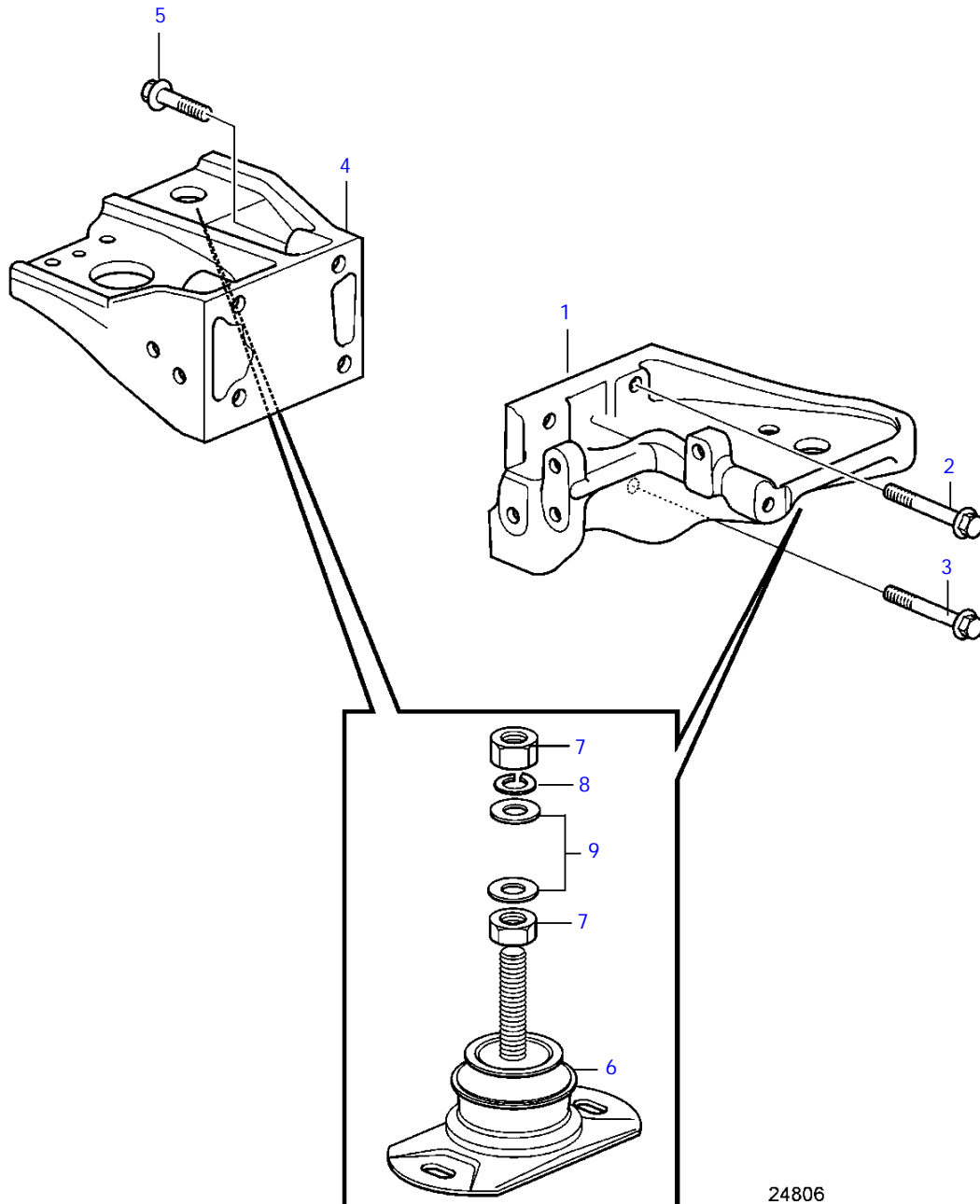
REF	PART NO.	QTY	DESCRIPTION	SEE SEC.	NOTES
1	21317215	1	Flywheel		Replaced by 21517500
	21517500	1	Flywheel		
2	3818641		* Gear ring		
3	9454743	10	Screw		
4	21429352	1	Adapter ring		
5	21416069	1	Flexible coupling		
6	30777189	5	Connecting rod		
7		1	* Bushing		
8		1	* Connecting rod		
9	9497858	2	* Screw		
10	31251378	5	Main bearing		Without flange, red, See Workshop Manual
	31251379	5	Main bearing		Without flange, yellow, See Workshop Manual
	31251380	5	Main bearing		Without flange, blue, See Workshop Manual
	31251381	5	Main bearing		Without flange green, See Workshop Manual
	31339144	1	Main bearing		With flange, red, See Workshop Manual
	31339145	1	Main bearing		With flange, yellow, See Workshop Manual
	31339146	1	Main bearing		With flange, blue, See Workshop Manual
11	31251996	1	Big-end bearing kit		
12	973660	1	Spring pin		
13	9465781	1	Crankshaft		
14	30777092	1	Oil pump		
15	1275366	1	Pulley		
16	30731865	1	Vibration damper		
17	975101		Flange screw		M10x30mm
18	3531111	1	Nut		
19	21714074	1	Piston kit		
20	(30777225)	1	* Lock ring		Obsolete part
21		1	* Piston pin		
22	30750678	1	* Piston ring kit		
23	(598034)	1	Grease		Obsolete part
24	959230	6	Hex. socket screw		
25	9458178	1	Sealing ring		
26	21546260	1	Kit		Option, Extra mass, Replaced by 21752671
	21752671	1	Plate		
			* Installation Instruction 47700624	47700624-EN	Rubber Roller Kit
27	965185	3	Flange screw		

D3-110I-D, D3-110I-E, D3-110I-F, D3-140I-E, D3-140I-F, D3-150I-D, D3-150I-E, D3-150I-F, D3-170I-D, D3-170I-E, D3-170I-F,
D3-200I-D, D3-200I-E, D3-200I-F, D3-220I-D, D3-220I-E, D3-220I-F



24789

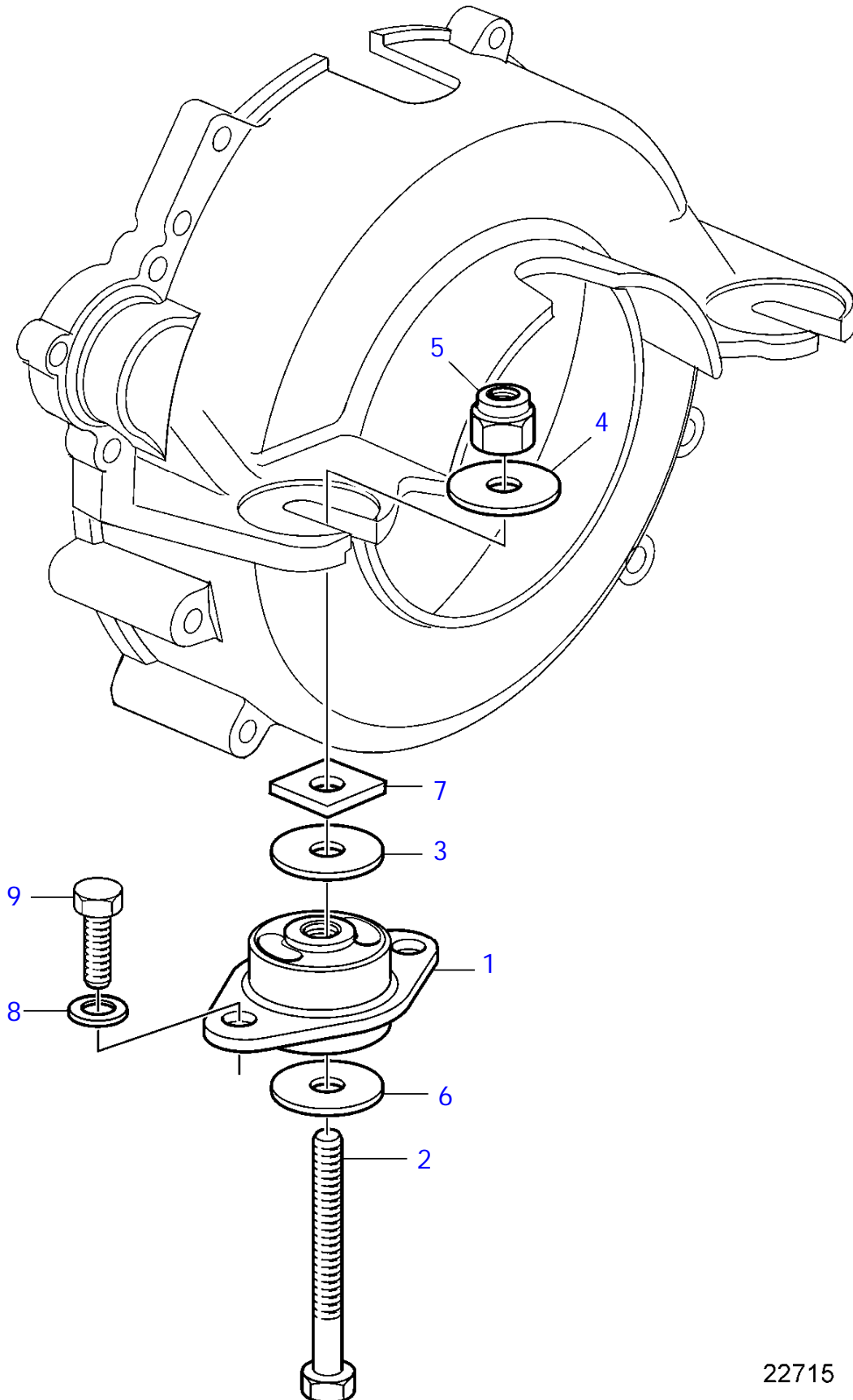
D3-110I-D, D3-110I-E, D3-110I-F, D3-140I-E, D3-140I-F, D3-150I-D, D3-140A-D, D3-140A-E, D3-140A-F, D3-150I-E, D3-150I-F, D3-170I-D, D3-170I-E, D3-170I-F, D3-170A-D, D3-170A-E, D3-170A-F, D3-200I-D, D3-200I-E, D3-200I-F, D3-200A-D, D3-200A-E, D3-200A-F, D3-220I-D, D3-220I-E, D3-220I-F, D3-220A-D, D3-220A-E, D3-220A-F



D3-110I-D, D3-110I-E, D3-110I-F, D3-140I-E, D3-140I-F, D3-150I-D, D3-140A-D, D3-140-A-E, D3-140A-E, D3-140A-F, D3-150I-E, D3-150I-F, D3-170I-D, D3-170I-E, D3-170I-F, D3-170A-D, D3-170A-E, D3-170A-F, D3-200I-D, D3-200I-E, D3-200I-F, D3-200A-D, D3-200A-E, D3-200A-F, D3-220I-D, D3-220I-E, D3-220I-F, D3-220A-D, D3-220A-E, D3-220A-F

REF	PART NO.	QTY	DESCRIPTION	NOTES
1	21132285	1	Engine bracket	Left
2	984651	2	Flange screw	
3	984662	3	Flange screw	
4	21107717	1	Engine bracket	Right
5	984663	4	Flange screw	
6	21141907	2	Rubber cushion	
7	955806	4	Hexagon nut	
8	941913	2	Spring washer	
9	955901	4	Washer	

D3-140A-D, D3-170A-D, D3-200A-D, D3-220A-D

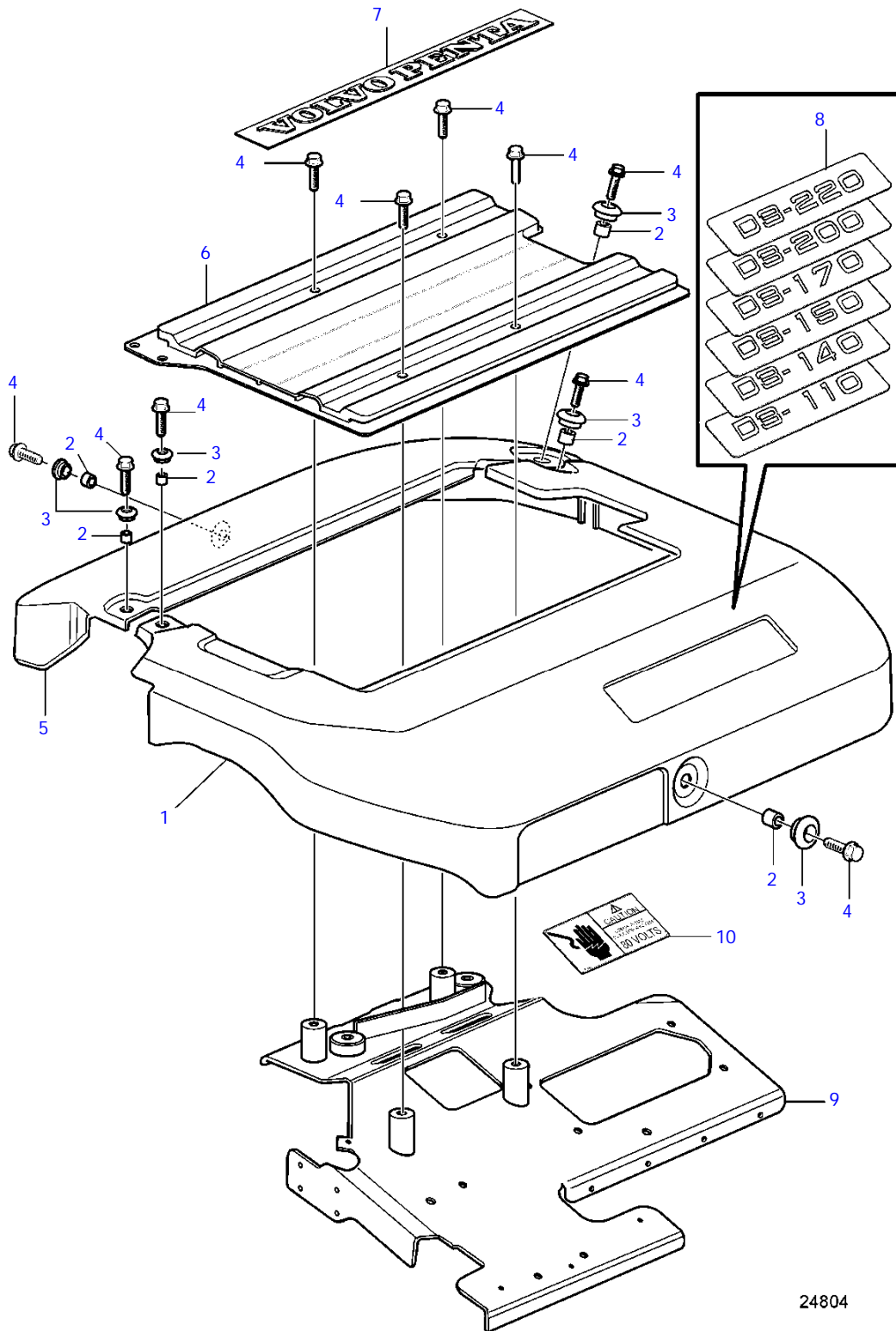


22715

D3-140A-D, D3-170A-D, D3-200A-D, D3-220A-D

REF	PART NO.	QTY	DESCRIPTION	NOTES
1	3812266	1	Rubber cushion	
2	3587962	1	Screw	
3	3852622	1	Washer	
4	3852540	1	Washer	
5	3862657	1	Nut	
6	3852542	1	Washer	
7	3852539	1	Square nut	
8	(3852155)	2	Washer	Obsolete part
9	959968	2	Hexagon screw	

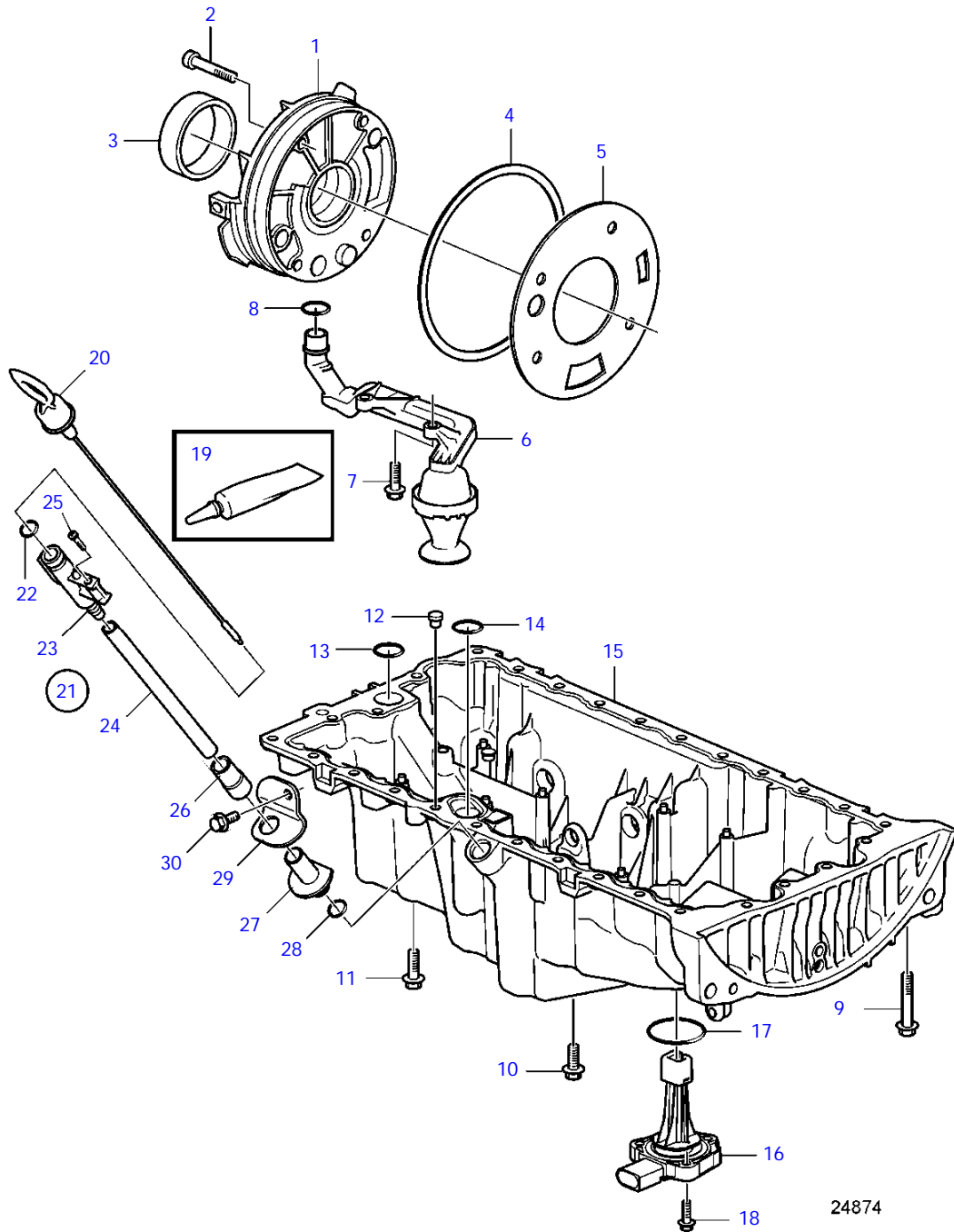
D3-110I-D, D3-110I-E, D3-110I-F, D3-140I-E, D3-140I-F, D3-150I-D, D3-140A-D, D3-140A-E, D3-140A-F, D3-150I-E, D3-150I-F, D3-170I-D, D3-170I-E, D3-170I-F, D3-170A-D, D3-170A-E, D3-170A-F, D3-200I-D, D3-200I-E, D3-200I-F, D3-200A-D, D3-200A-E, D3-200A-F, D3-220I-D, D3-220I-E, D3-220I-F, D3-220A-D, D3-220A-E, D3-220A-F



D3-110I-D, D3-110I-E, D3-110I-F, D3-140I-E, D3-140I-F, D3-150I-D, D3-140A-D, D3-140-A-E, D3-140A-E, D3-140A-F, D3-150I-E, D3-150I-F, D3-170I-D, D3-170I-E, D3-170I-F, D3-170A-D, D3-170A-E, D3-170A-F, D3-200I-D, D3-200I-E, D3-200I-F, D3-200A-D, D3-200A-E, D3-200A-F, D3-220I-D, D3-220I-E, D3-220I-F, D3-220A-D, D3-220A-E, D3-220A-F

REF	PART NO.	QTY	DESCRIPTION	NOTES
1	21231496	1	Engine casing	
2	40005089	3	* Spacer	
3	992404	3	* Grommet	
4	945444	10	Flange screw	M8x25mm
5	21231498	1	Engine casing	
6	21231632	1	Plate	
7	21311345	1	Decal	
8	21223157	1	Decal	D3-110
	21225043	1	Decal	D3-140
	21223159	1	Decal	D3-150
	21223160	1	Decal	D3-170
	21223161	1	Decal	D3-200
	21223162	1	Decal	D3-220
9	21441946	1	Bracket	
10	3807239	1	Decal	

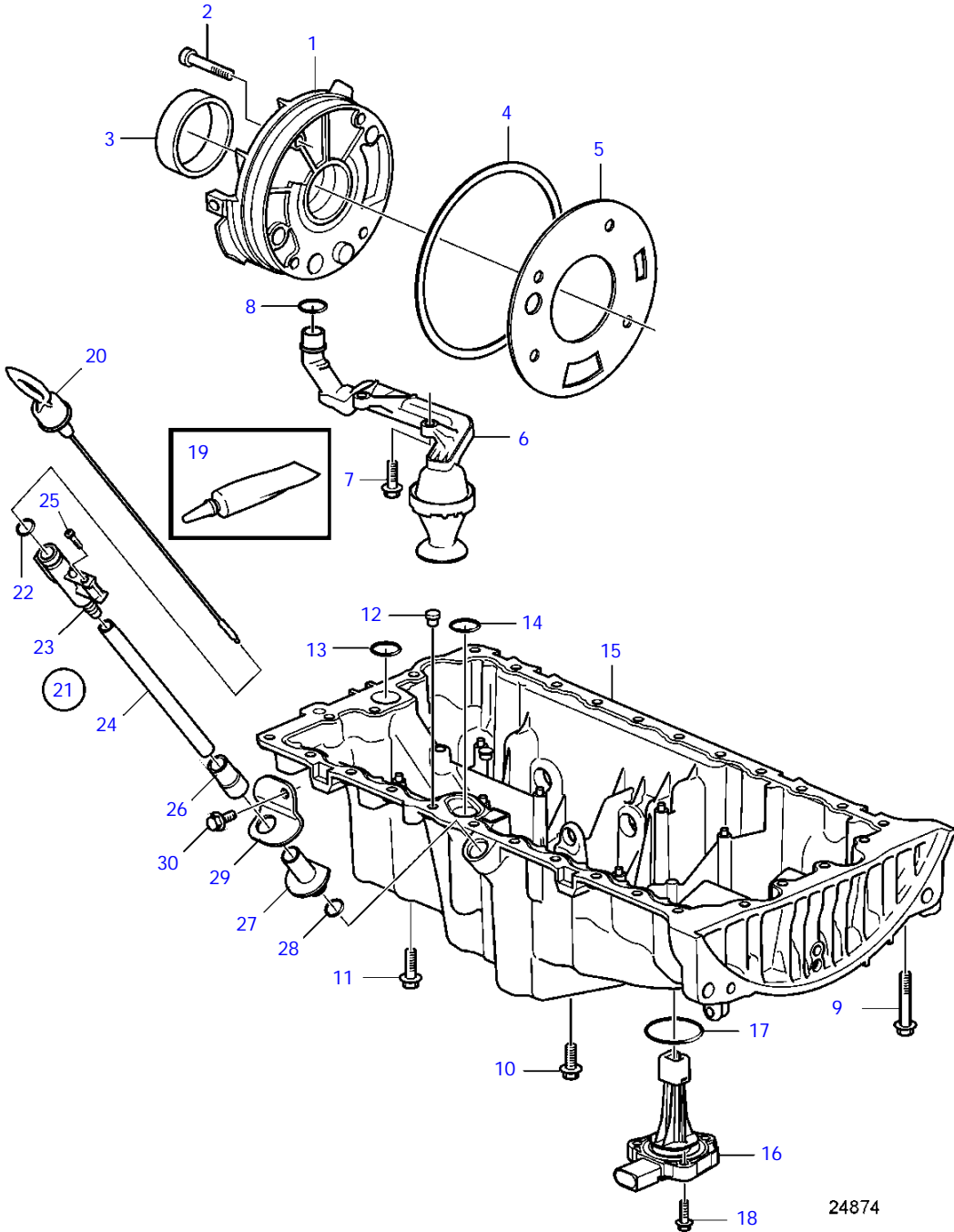
D3-110I-D, D3-110I-E, D3-140I-E, D3-150I-D, D3-140A-D, D3-140A-E, D3-150I-E, D3-170I-D, D3-170I-E, D3-170A-D, D3-170A-E, D3-200I-D, D3-200I-E, D3-200A-D, D3-200A-E, D3-220I-D, D3-220I-E, D3-220A-D, D3-220A-E



D3-110I-D, D3-110I-E, D3-140I-E, D3-150I-D, D3-140A-D, D3-140A-E, D3-150I-E, D3-170I-D, D3-170I-E, D3-170A-D, D3-170A-E, D3-200I-D, D3-200I-E, D3-200A-D, D3-200A-E, D3-220I-D, D3-220I-E, D3-220A-D, D3-220A-E

REF	PART NO.	QTY	DESCRIPTION	NOTES
1	30777092	1	Oil pump	
2	987348	4	6 point socket screw	
3	6842273	1	Lip seal	
4	981204	1	O-ring	
5	1275404	1	Gasket	
6	30777148	1	Suction line	
7	968158	2	Flange screw	
8	30637867	1	Sealing ring	
9	980092	4	Flange screw	M7x100mm
10	975880	22	Flange screw	M7x20mm
11	985322	4	Flange screw	M7x40mm
12	463963	1	Valve	
13	8642560	1	Sealing ring	
14	8631513	1	Sealing ring	
15	31258206	1	Oil sump	
16	31272687	1	Oil level sensor	
17	31219441	1	O-ring	
18	982759	3	Flange screw	M6x25mm
19	1161771	1	Sealing compound	50ml
20	3847530	1	Oil dipstick	
21	21376073	1	Pipe	
22	944124	1	* O-ring	
23		1	* Anchorage	
24		1	* Tube	
25	975378	1	6 point socket screw	
26	843533	1	Rubber cushion	
27	21451916	1	Insert nipple	
28	3888462	1	O-ring	
29	3847997	1	Bracket	
30	982775	1	Flange screw	M7x16mm

D3-110I-F, D3-140I-F, D3-140A-F, D3-150I-F, D3-170I-F, D3-170A-F, D3-200I-F, D3-200A-F, D3-220I-F, D3-220A-F

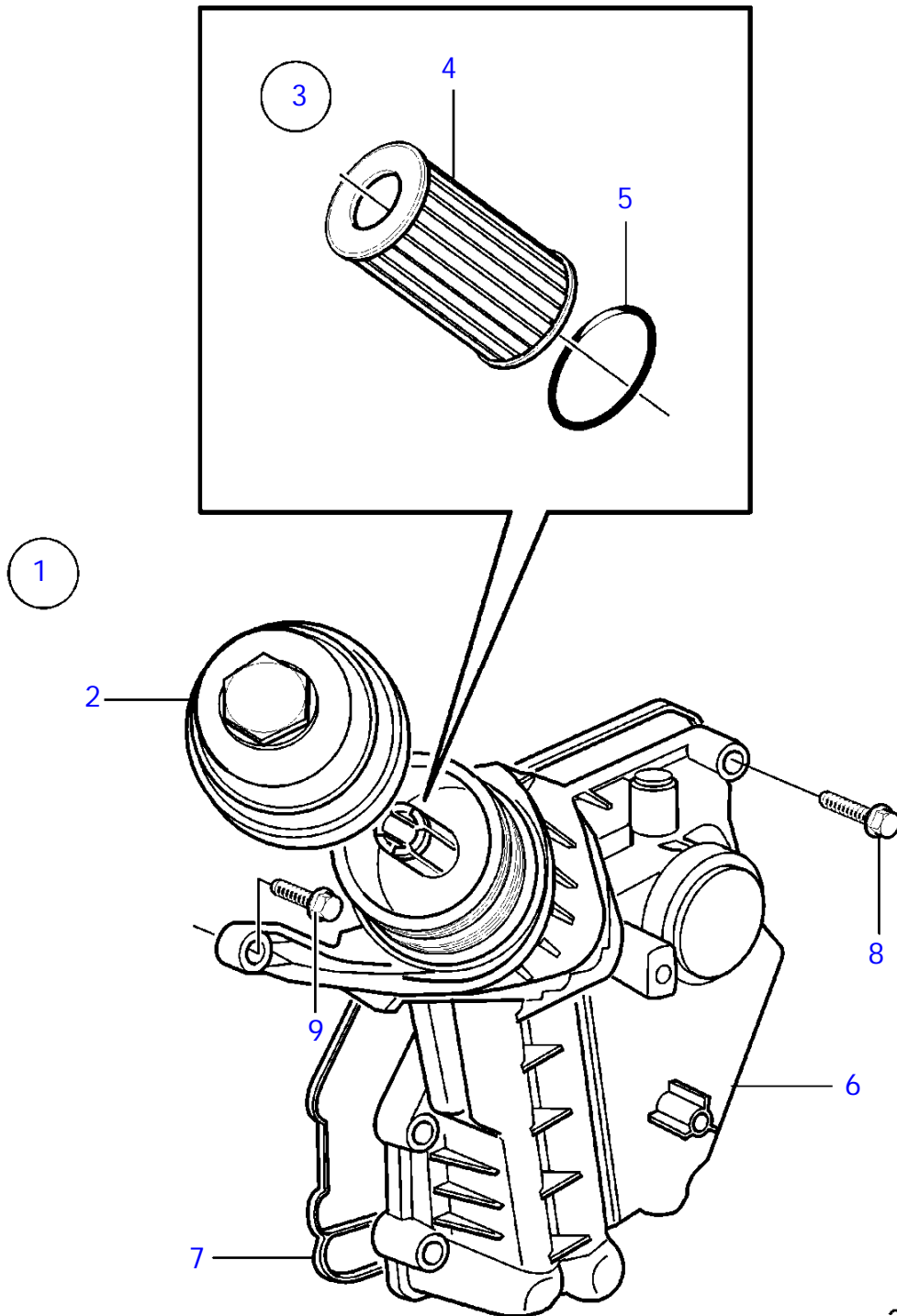


24874

D3-110I-F, D3-140I-F, D3-140A-F, D3-150I-F, D3-170I-F, D3-170A-F, D3-200I-F, D3-200A-F, D3-220I-F, D3-220A-F

REF	PART NO.	QTY	DESCRIPTION	NOTES
1	30777092	1	Oil pump	
2	987348	4	6 point socket screw	
3	6842273	1	Lip seal	
4	981204	1	O-ring	
5	1275404	1	Gasket	
6	30777148	1	Suction line	
7	968158	2	Flange screw	
8	30637867	1	Sealing ring	
9	980092	4	Flange screw	M7x100mm
10	975880	22	Flange screw	M7x20mm
11	985322	4	Flange screw	M7x40mm
12	463963	1	Valve	
13	8642560	1	Sealing ring	
14	8631513	1	Sealing ring	
15	31258206	1	Oil sump	
16	31272687	1	Oil level sensor	
17	31219441	1	O-ring	
18	982759	3	Flange screw	M6x25mm
19	1161771	1	Sealing compound	50ml
20	3847530	1	Oil dipstick	
21	21666364	1	Pipe	
22	944124	1	* O-ring	
23		1	* Anchorage	
24		1	* Tube	
25	975378	1	6 point socket screw	
26	843533	1	Rubber cushion	
27	21625925	1	Insert nipple	
28	968757	1	O-ring	
29	3847997	1	Bracket	
30	982775	1	Flange screw	M7x16mm

D3-110I-D, D3-110I-E, D3-110I-F, D3-140I-E, D3-140I-F, D3-150I-D, D3-140A-D, D3-140A-E, D3-140A-F, D3-150I-E, D3-150I-F, D3-170I-D, D3-170I-E, D3-170I-F, D3-170A-D, D3-170A-E, D3-170A-F, D3-200I-D, D3-200I-E, D3-200I-F, D3-200A-D, D3-200A-E, D3-200A-F, D3-220I-D, D3-220I-E, D3-220I-F, D3-220A-D, D3-220A-E, D3-220A-F

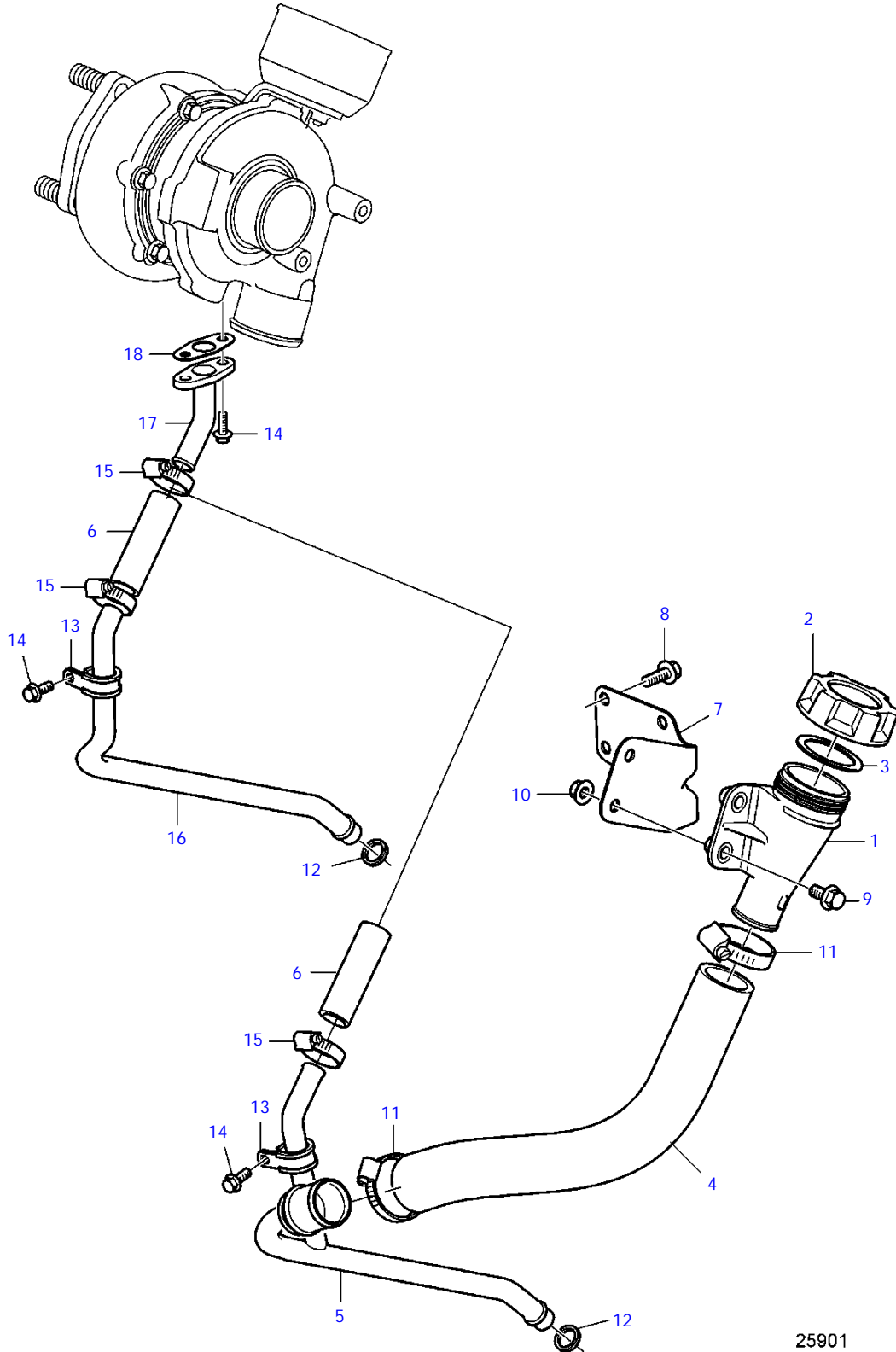


25033

D3-110I-D, D3-110I-E, D3-110I-F, D3-140I-E, D3-140I-F, D3-150I-D, D3-140A-D, D3-140A-E, D3-140A-F, D3-150I-E, D3-150I-F, D3-170I-D, D3-170I-E, D3-170I-F, D3-170A-D, D3-170A-E, D3-170A-F, D3-200I-D, D3-200I-E, D3-200I-F, D3-200A-D, D3-200A-E, D3-200A-F, D3-220I-D, D3-220I-E, D3-220I-F, D3-220A-D, D3-220A-E, D3-220A-F

REF	PART NO.	QTY	DESCRIPTION
1	30757730	1	Separator
2	30788489	1	* Lid
3	30788490	1	* Oil filter kit
4		1	* *
5		1	* *
6		1	*
7	30788492	1	Gasket
8	985136	8	Flange screw
9	982777	1	Flange screw

D3-110I-D, D3-110I-E, D3-110I-F, D3-140I-E, D3-140I-F, D3-150I-D, D3-140A-D, D3-140A-E, D3-140A-F, D3-150I-E, D3-150I-F, D3-170I-D, D3-170I-E, D3-170I-F, D3-170A-D, D3-170A-E, D3-170A-F, D3-200I-D, D3-200I-E, D3-200I-F, D3-200A-D, D3-200A-E, D3-200A-F, D3-220I-D, D3-220I-E, D3-220I-F, D3-220A-D, D3-220A-E, D3-220A-F

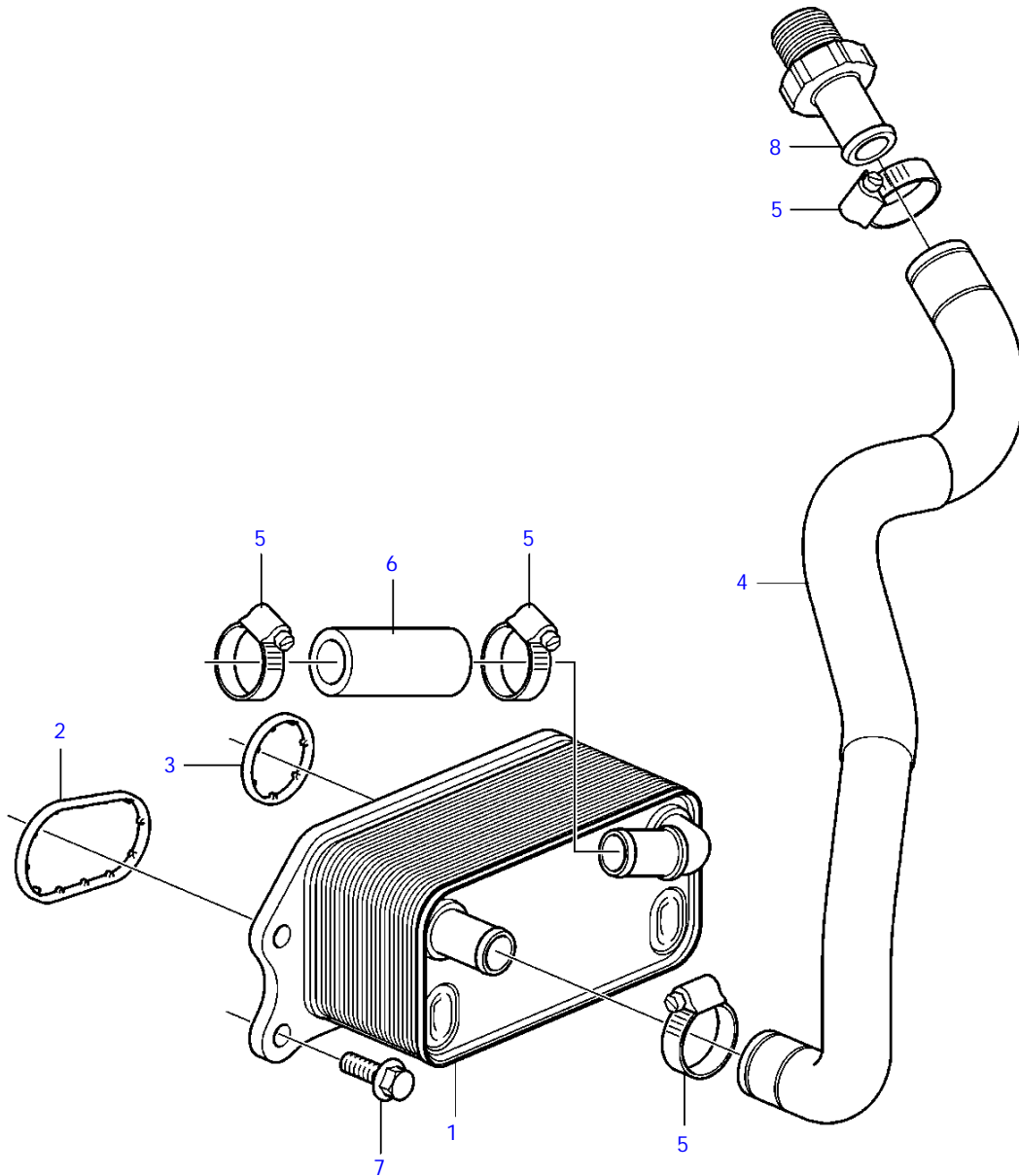


25901

D3-110I-D, D3-110I-E, D3-110I-F, D3-140I-E, D3-140I-F, D3-150I-D, D3-140A-D, D3-140-A-E, D3-140A-E, D3-140A-F, D3-150I-E, D3-150I-F, D3-170I-D, D3-170I-E, D3-170I-F, D3-170A-D, D3-170A-E, D3-170A-F, D3-200I-D, D3-200I-E, D3-200I-F, D3-200A-D, D3-200A-E, D3-200A-F, D3-220I-D, D3-220I-E, D3-220I-F, D3-220A-D, D3-220A-E, D3-220A-F

REF	PART NO.	QTY	DESCRIPTION	NOTES
1	20808091	1	Oil filler pipe	
2	20807510	1	* Oil filler cap	
3	20365079	1	** Gasket	
4	21196238	1	Hose	
5	21177977	1	Oil return pipe	Obsolete part
6	3593534	1	Hose	
7	21194093	1	Bracket	Replaced by 21353908
	21353908	1	Bracket	With weld nuts
8	946173	4	Flange screw	M8x20mm
9	946440	2	Flange screw	M8x16mm
10	945408	2	Flange nut	
11	994561	2	Hose clamp	
12	31251439	1	Sealing ring	
13	952629	1	Clamp	
14	946544	4	Flange screw	M6x16mm
15	961666	1	Hose clamp	
16	21294908	1	Oil return pipe	Standard
17	21098797	1	Oil return pipe	
18	31251456	1	Gasket	

D3-110I-D, D3-110I-E, D3-110I-F, D3-140I-E, D3-140I-F, D3-150I-D, D3-140A-D, D3-140A-E, D3-140A-F, D3-150I-E, D3-150I-F, D3-170I-D, D3-170I-E, D3-170I-F, D3-170A-D, D3-170A-E, D3-170A-F, D3-200I-D, D3-200I-E, D3-200I-F, D3-200A-D, D3-200A-E, D3-200A-F, D3-220I-D, D3-220I-E, D3-220I-F, D3-220A-D, D3-220A-E, D3-220A-F

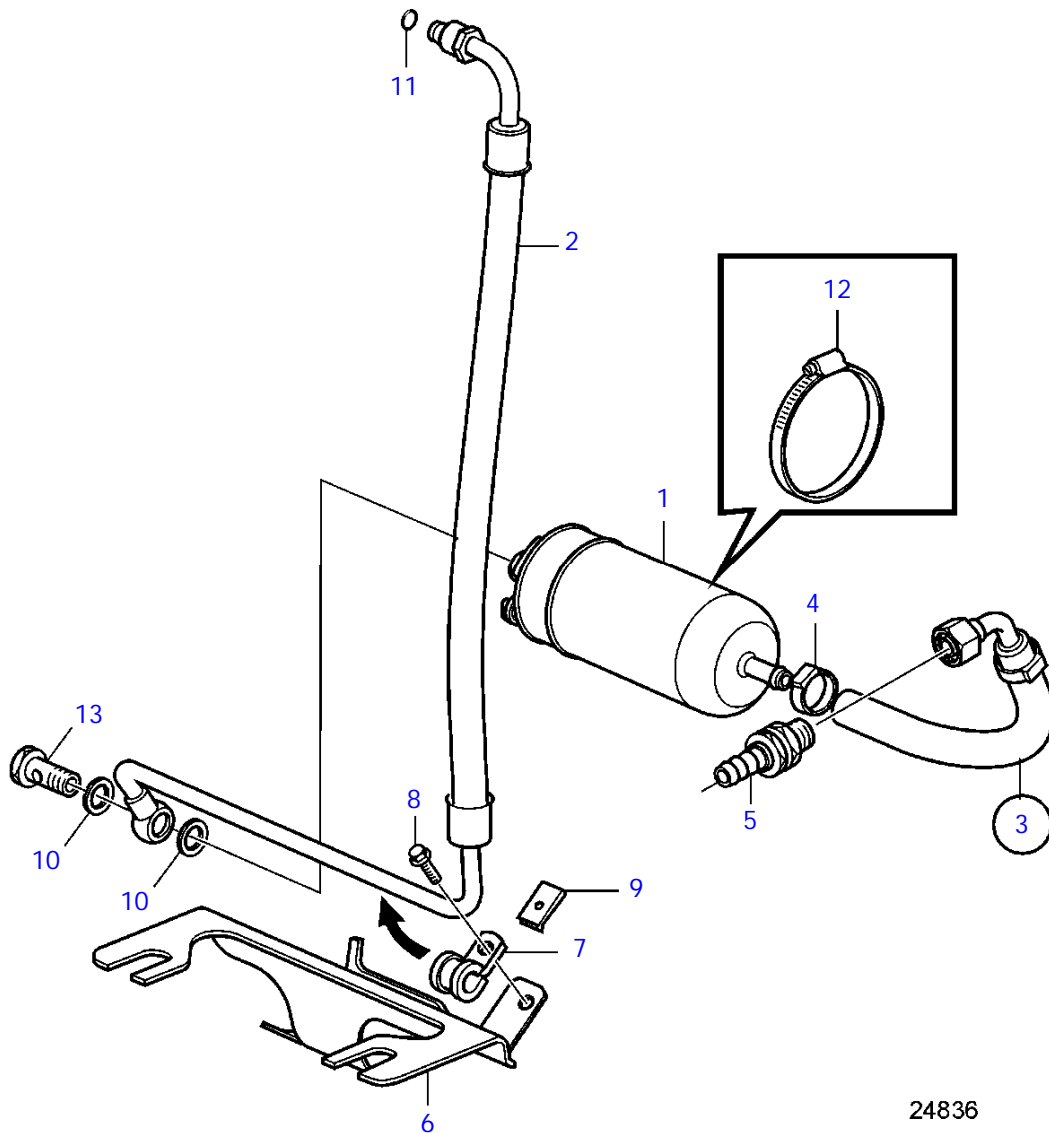


24838

D3-110I-D, D3-110I-E, D3-110I-F, D3-140I-E, D3-140I-F, D3-150I-D, D3-140A-D, D3-140-A-E, D3-140A-E, D3-140A-F, D3-150I-E, D3-150I-F, D3-170I-D, D3-170I-E, D3-170I-F, D3-170A-D, D3-170A-E, D3-170A-F, D3-200I-D, D3-200I-E, D3-200I-F, D3-200A-D, D3-200A-E, D3-200A-F, D3-220I-D, D3-220I-E, D3-220I-F, D3-220A-D, D3-220A-E, D3-220A-F

REF	PART NO.	QTY	DESCRIPTION	NOTES
1	31286433	1	Oil cooler	Replaced by 30757459
	30757459	1	Oil cooler	Replaced by 31319422
	31319422	1	Oil cooler kit	
2	30774715	1	Sealing	
3	30637339	1	Sealing	
4	21309775	1	Hose	
5	961665	4	Hose clamp	
6	952969	1	Hose	
7	986318	4	6 point socket screw	M7x20mm
8		1		

D3-110I-D, D3-110I-E, D3-110I-F, D3-140I-E, D3-140I-F, D3-150I-D, D3-140A-D, D3-140A-E, D3-140A-F, D3-150I-E, D3-150I-F, D3-170I-D, D3-170I-E, D3-170I-F, D3-170A-D, D3-170A-E, D3-170A-F, D3-200I-D, D3-200I-E, D3-200I-F, D3-200A-D, D3-200A-E, D3-200A-F, D3-220I-D, D3-220I-E, D3-220I-F, D3-220A-D, D3-220A-E, D3-220A-F



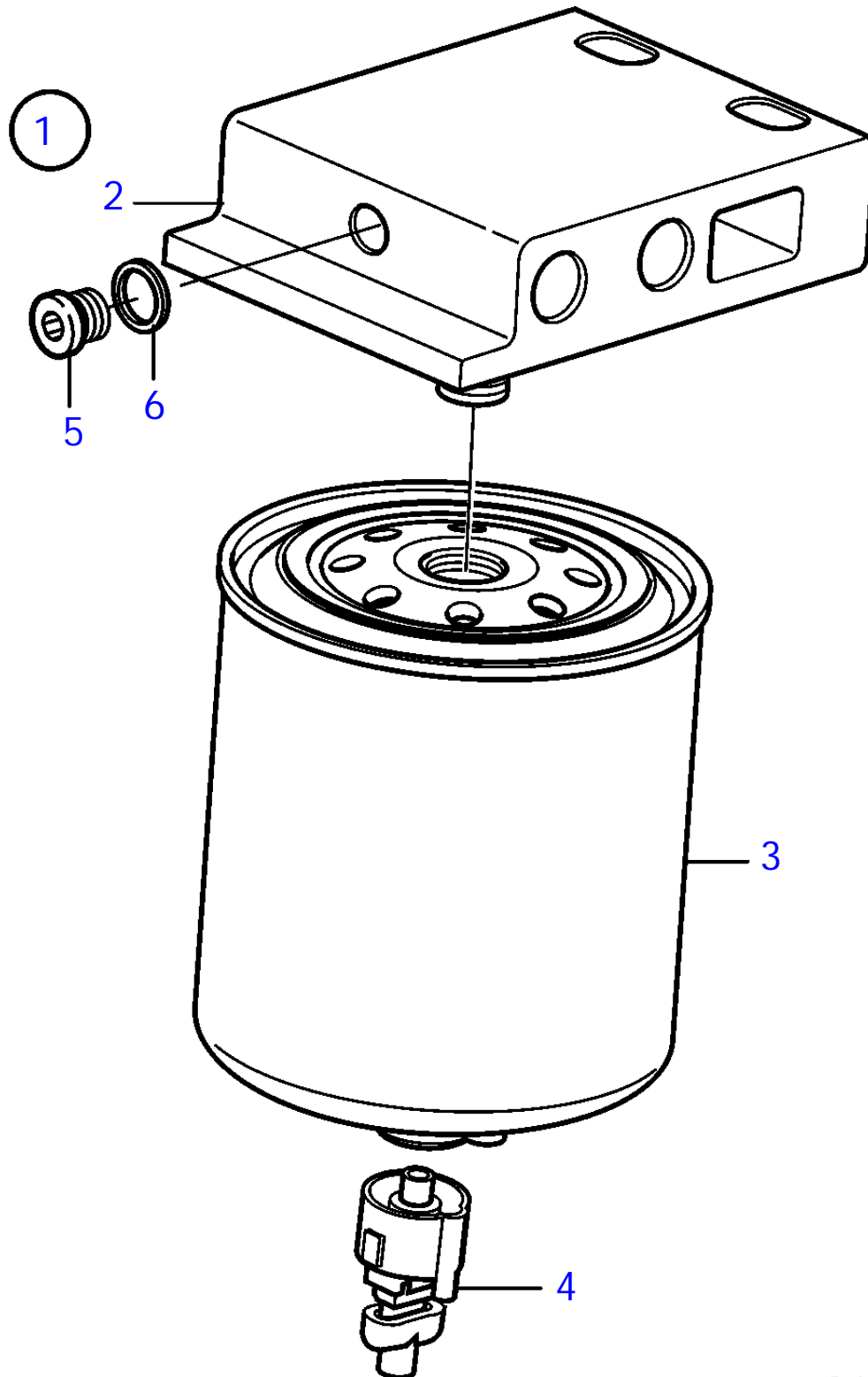
24836

D3-110I-D, D3-110I-E, D3-110I-F, D3-140I-E, D3-140I-F, D3-150I-D, D3-140A-D, D3-140-A-E, D3-140A-E, D3-140A-F, D3-150I-E, D3-150I-F, D3-170I-D, D3-170I-E, D3-170I-F, D3-170A-D, D3-170A-E, D3-170A-F, D3-200I-D, D3-200I-E, D3-200I-F, D3-200A-D, D3-200A-E, D3-200A-F, D3-220I-D, D3-220I-E, D3-220I-F, D3-220A-D, D3-220A-E, D3-220A-F

REF	PART NO.	QTY	DESCRIPTION	NOTES
1	21120406	1	Feed pump	
2	21300622	1	Fuel hose	
3	21300624	1	Fuel hose	
4	961663	1	* Hose clamp	
5	21282656	1	* Bulkhead grommet	
6	21300619	1	Bracket	
7	952624	1	Clamp	
8	968476	1	Flange screw	
9	191391	1	Spring nut	
10	18665	2	Gasket	
11	(976011)	1	O-ring	Obsolete part
12	961671	1	Hose clamp	
13	980973		Hollow screw	



D3-110I-D, D3-110I-E, D3-110I-F, D3-140I-E, D3-140I-F, D3-150I-D, D3-140A-D, D3-140A-E, D3-140A-F, D3-150I-E, D3-150I-F, D3-170I-D, D3-170I-E, D3-170I-F, D3-170A-D, D3-170A-E, D3-170A-F, D3-200I-D, D3-200I-E, D3-200I-F, D3-200A-D, D3-200A-E, D3-200A-F, D3-220I-D, D3-220I-E, D3-220I-F, D3-220A-D, D3-220A-E, D3-220A-F

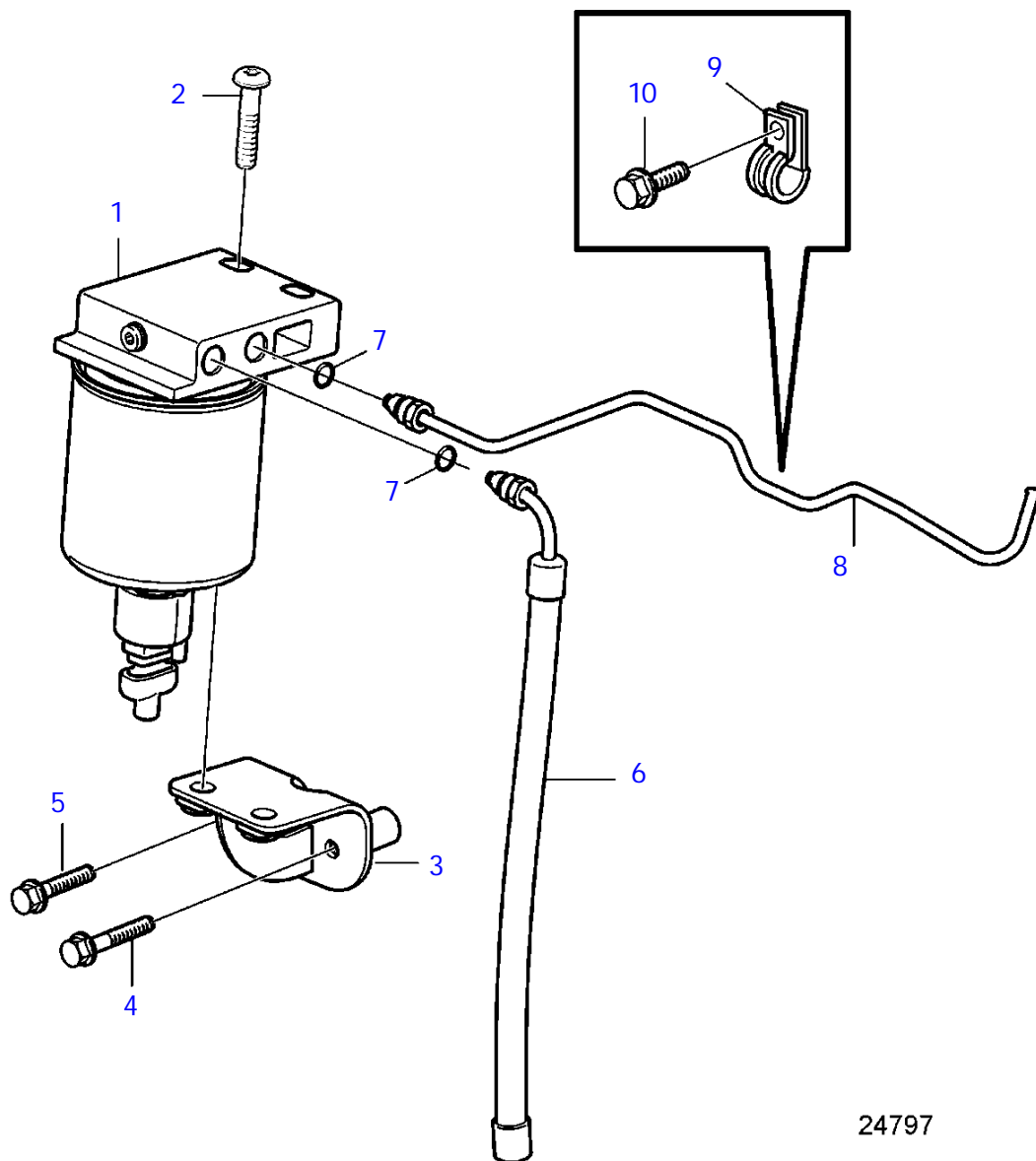


24796

D3-110I-D, D3-110I-E, D3-110I-F, D3-140I-E, D3-140I-F, D3-150I-D, D3-140A-D, D3-140-A-E, D3-140A-E, D3-140A-F, D3-150I-E, D3-150I-F, D3-170I-D, D3-170I-E, D3-170I-F, D3-170A-D, D3-170A-E, D3-170A-F, D3-200I-D, D3-200I-E, D3-200I-F, D3-200A-D, D3-200A-E, D3-200A-F, D3-220I-D, D3-220I-E, D3-220I-F, D3-220A-D, D3-220A-E, D3-220A-F

REF	PART NO.	QTY	DESCRIPTION	NOTES
1	21286999	1	Fuel filter, complete	
2	21286987	1	* Fuel filter housing	
3	21139810	1	* Fuel filter	
4	3808616	1	* Sensor	Installation instruction included.
5	965768	1	Plug	
6	18665	1	Gasket	

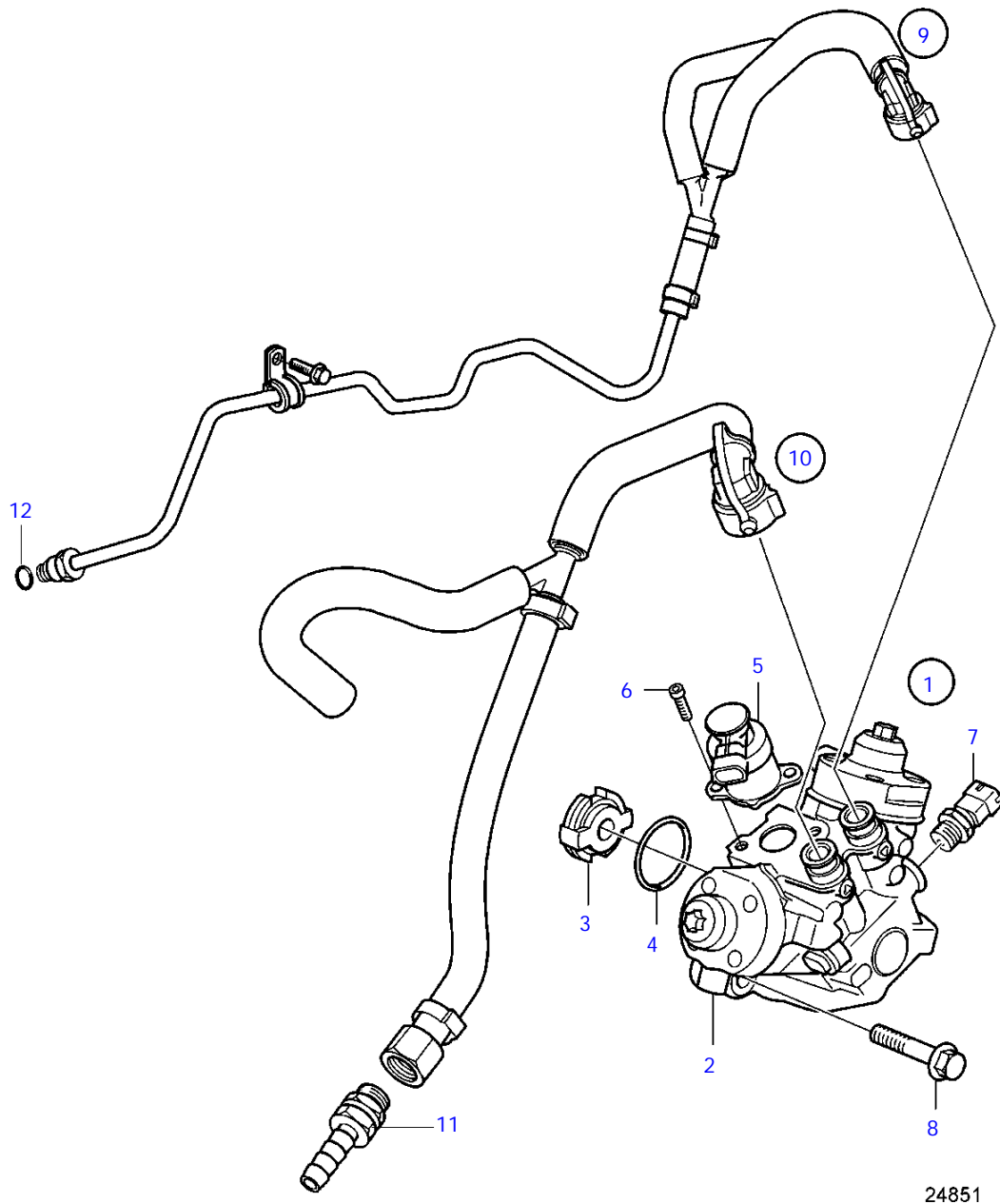
D3-110I-D, D3-110I-E, D3-110I-F, D3-140I-E, D3-140I-F, D3-150I-D, D3-140A-D, D3-140A-E, D3-140A-F, D3-150I-E, D3-150I-F, D3-170I-D, D3-170I-E, D3-170I-F, D3-170A-D, D3-170A-E, D3-170A-F, D3-200I-D, D3-200I-E, D3-200I-F, D3-200A-D, D3-200A-E, D3-200A-F, D3-220I-D, D3-220I-E, D3-220I-F, D3-220A-D, D3-220A-E, D3-220A-F



D3-110I-D, D3-110I-E, D3-110I-F, D3-140I-E, D3-140I-F, D3-150I-D, D3-140A-D, D3-140-A-E, D3-140A-E, D3-140A-F, D3-150I-E, D3-150I-F, D3-170I-D, D3-170I-E, D3-170I-F, D3-170A-D, D3-170A-E, D3-170A-F, D3-200I-D, D3-200I-E, D3-200I-F, D3-200A-D, D3-200A-E, D3-200A-F, D3-220I-D, D3-220I-E, D3-220I-F, D3-220A-D, D3-220A-E, D3-220A-F

REF	PART NO.	QTY	DESCRIPTION	SEE SEC.	NOTES
1		1	Filter, complete	35664	
2	969544	2	6 point socket screw		M10x45mm
3	21184378	1	Bracket		
4	973924	1	Flange screw		M8x50mm
5	968168	1	Flange screw		
6		1	Hose	35713	
7	(976011)	2	O-ring		Obsolete part
8		1	Fuel pipe	35728	
9	952624	1	Clamp		
10	946501	1	Flange screw		M6x12mm

D3-110I-D, D3-110I-E, D3-110I-F, D3-140I-E, D3-140I-F, D3-150I-D, D3-140A-D, D3-140A-E, D3-140A-F, D3-150I-E, D3-150I-F, D3-170I-D, D3-170I-E, D3-170I-F, D3-170A-D, D3-170A-E, D3-170A-F, D3-200I-D, D3-200I-E, D3-200I-F, D3-200A-D, D3-200A-E, D3-200A-F, D3-220I-D, D3-220I-E, D3-220I-F, D3-220A-D, D3-220A-E, D3-220A-F

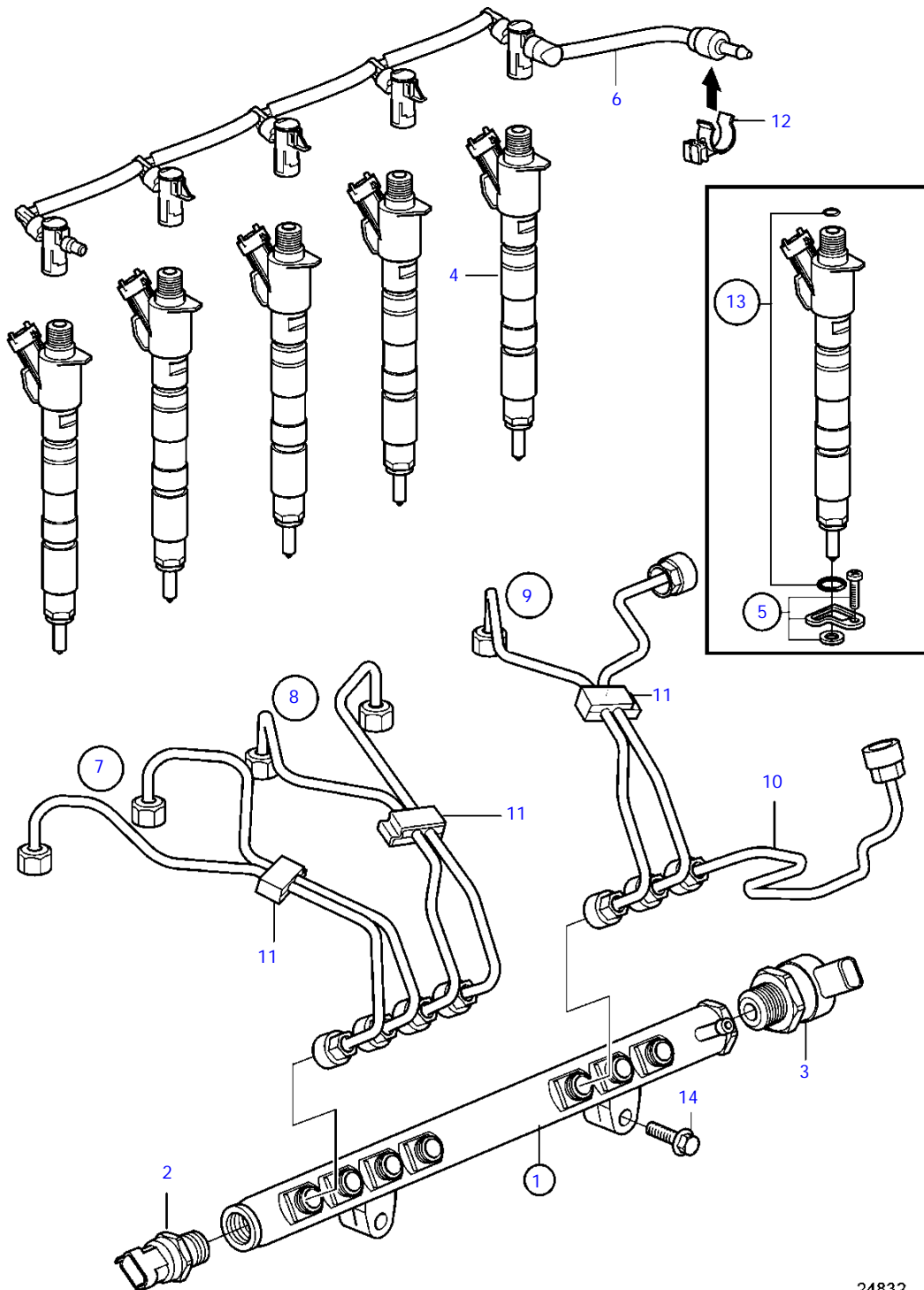


24851

D3-110I-D, D3-110I-E, D3-110I-F, D3-140I-E, D3-140I-F, D3-150I-D, D3-140A-D, D3-140-A-E, D3-140A-E, D3-140A-F, D3-150I-E, D3-150I-F, D3-170I-D, D3-170I-E, D3-170I-F, D3-170A-D, D3-170A-E, D3-170A-F, D3-200I-D, D3-200I-E, D3-200I-F, D3-200A-D, D3-200A-E, D3-200A-F, D3-220I-D, D3-220I-E, D3-220I-F, D3-220A-D, D3-220A-E, D3-220A-F

REF	PART NO.	QTY	DESCRIPTION	NOTES
1	31272896	1	High-pressure pump	Replaced by 36002503
	36002503	1	High-pressure pump	
2	31259211	1	* Housing	
3	30777586	1	* Cross connection	
4	31259208	1	* O-ring	
5	30777529	1	* Control valve	
6	31259210	1	* Screw	
7	31272619	1	* Temperature sensor	
8	982799	3	Flange screw	M8x45mm
9	21467499	1	Fuel pipe	
10	21467497	1	Hose assembly	
11	21282656	1	* Bulkhead grommet	
12	(976011)	1	O-ring	Obsolete part

D3-110I-D, D3-110I-E, D3-110I-F, D3-140I-E, D3-140I-F, D3-150I-D, D3-140A-D, D3-140A-E, D3-140A-F, D3-150I-E, D3-150I-F, D3-170I-D, D3-170I-E, D3-170I-F, D3-170A-D, D3-170A-E, D3-170A-F, D3-200I-D, D3-200I-E, D3-200I-F, D3-200A-D, D3-200A-E, D3-200A-F, D3-220I-D, D3-220I-E, D3-220I-F, D3-220A-D, D3-220A-E, D3-220A-F

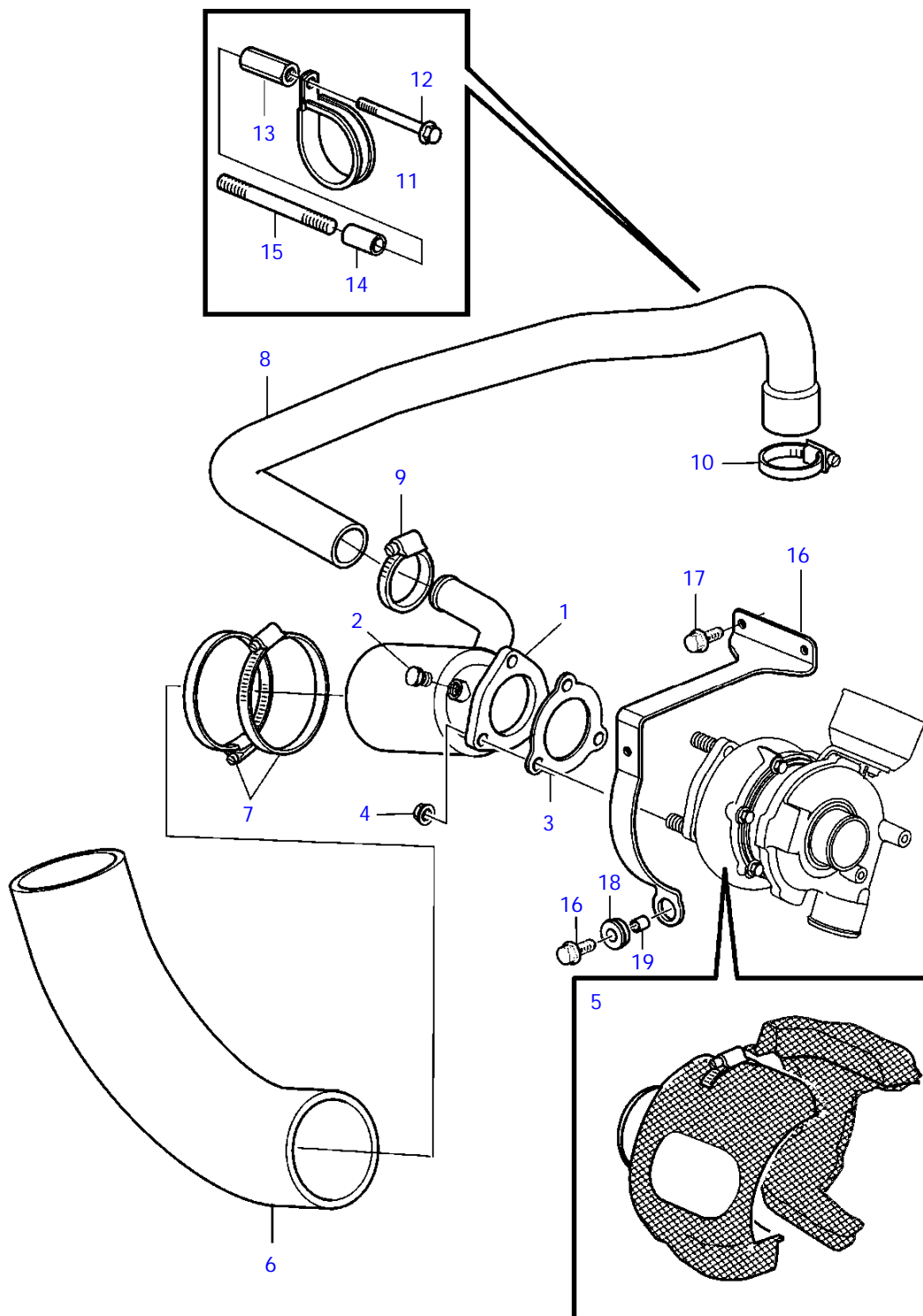


24832

D3-110I-D, D3-110I-E, D3-110I-F, D3-140I-E, D3-140I-F, D3-150I-D, D3-140A-D, D3-140-A-E, D3-140A-E, D3-140A-F, D3-150I-E, D3-150I-F, D3-170I-D, D3-170I-E, D3-170I-F, D3-170A-D, D3-170A-E, D3-170A-F, D3-200I-D, D3-200I-E, D3-200I-F, D3-200A-D, D3-200A-E, D3-200A-F, D3-220I-D, D3-220I-E, D3-220I-F, D3-220A-D, D3-220A-E, D3-220A-F

REF	PART NO.	QTY	DESCRIPTION	NOTES
1	30777759	1	Distribution pipe	
2	30787950	1	* Pressure sensor	
3	31216313	1	* Control valve	
4	3801385	5	Injector	
5	31272772	1	Retaining clamp	
6	31303869	1	Fuel hose	
7	31303607	1	Delivery pipe	Cylinder 1, Cylinder 2, Replaced by 31251172
	31251172	1	Delivery pipe	Cylinder 1, Cylinder 2
8	31303608	1	Delivery pipe	Cylinder 3, Cylinder 4, Replaced by 31251173
	31251173	1	Delivery pipe	Cylinder 3, Cylinder 4
9	31303609	1	Delivery pipe	Cylinder 5, Fuel pump, Replaced by 31251174
	31251174	1	Delivery pipe	Cylinder 5, Fuel pump
10	31251175	1	Delivery pipe	Fuel pump
11	30677792	3	Clip	
12	31216726	1	Clip	
13	31272771	1	O-ring kit	
14	(986241)	2	6 point socket screw	Obsolete part, M8x50mm

D3-110I-D, D3-110I-E, D3-110I-F, D3-140I-E, D3-140I-F, D3-150I-D, D3-150I-E, D3-150I-F, D3-170I-D, D3-170I-E, D3-170I-F, D3-200I-D, D3-200I-E, D3-200I-F, D3-220I-D, D3-220I-E, D3-220I-F

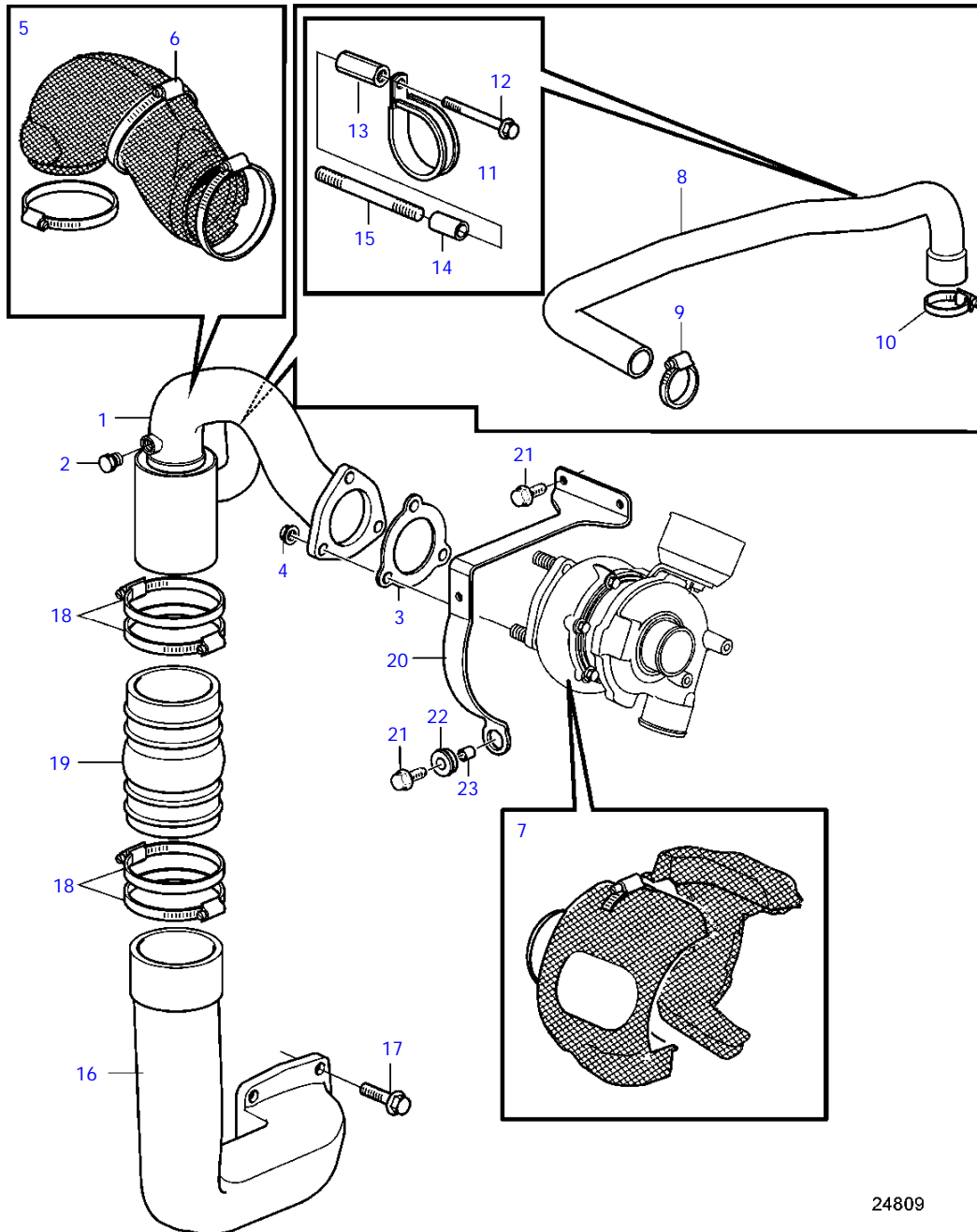


24810

D3-110I-D, D3-110I-E, D3-110I-F, D3-140I-E, D3-140I-F, D3-150I-D, D3-150I-E, D3-150I-F, D3-170I-D, D3-170I-E, D3-170I-F, D3-200I-D, D3-200I-E, D3-200I-F, D3-220I-D, D3-220I-E, D3-220I-F

REF	PART NO.	QTY	DESCRIPTION	NOTES
1	21181763	1	Exhaust pipe	
2	981749	1	• Plug	
3	1275549	1	Gasket	
4	981152	3	Flange nut	
5	21233709	1	Heat shield	
6	1140667	1	Exhaust hose	
7	853012	4	Hose clamp	
8	21202798	1	Hose	Heat exchanger-exhaust riser.
9	994561	1	Hose clamp	
10	994562	1	Hose clamp	
11	969194	1	Clamp	
12	946440	1	Flange screw	
13	21264221	1	Hexagon nut	
14	977801	1	Spacer sleeve	
15	953060	2	Stud	
16	21441559	1	Bracket	
17	946440	3	Flange screw	M8x16mm
18	992404	1	Grommet	
19	40005089	1	Spacer	

D3-140A-D, D3-140A-E, D3-140A-F, D3-170A-D, D3-170A-E, D3-170A-F, D3-200A-D, D3-200A-E, D3-200A-F, D3-220A-D, D3-220A-E, D3-220A-F

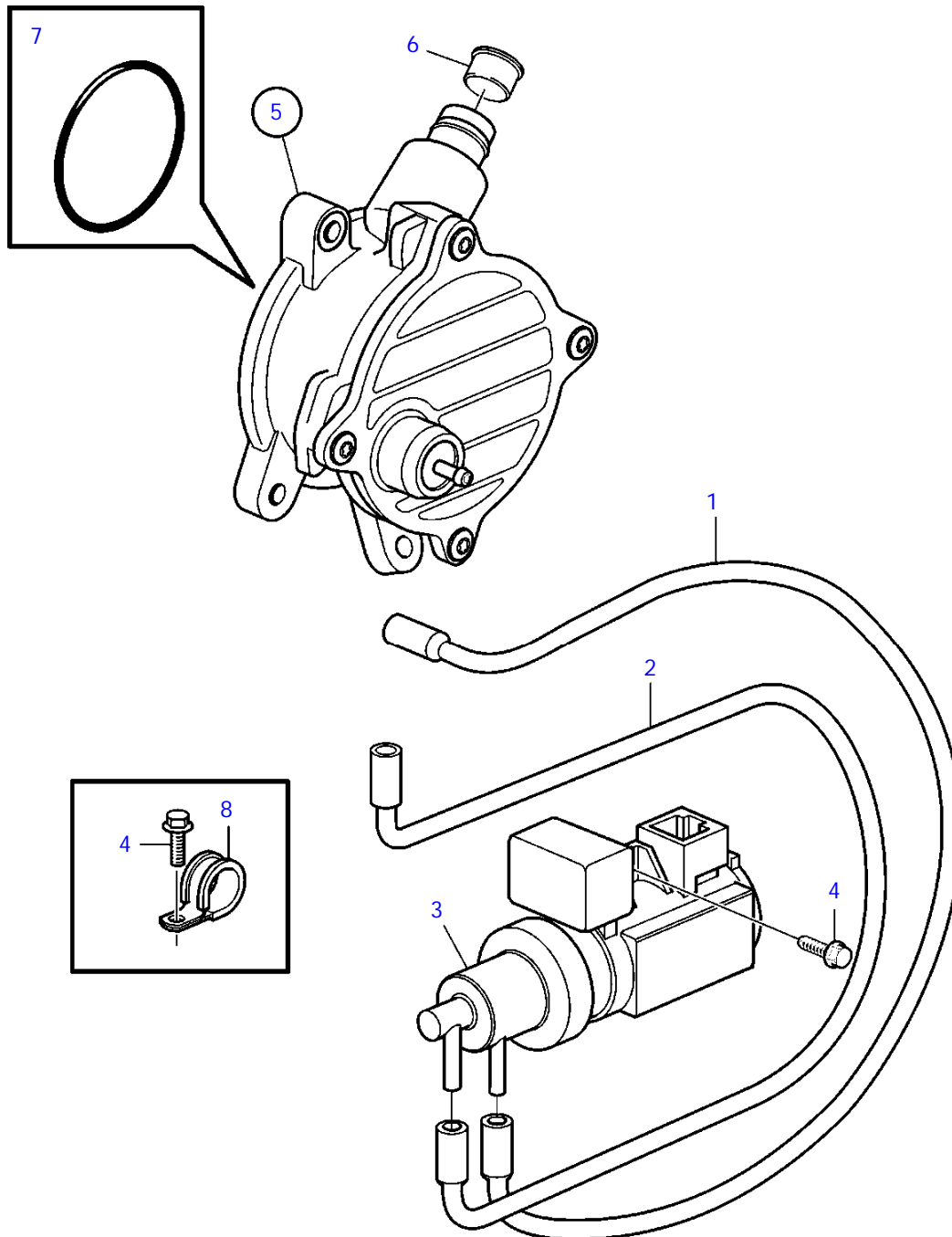


24809

D3-140A-D, D3-140A-E, D3-140A-F, D3-170A-D, D3-170A-E, D3-170A-F, D3-200A-D, D3-200A-E, D3-200A-F, D3-220A-D, D3-220A-E, D3-220A-F

REF	PART NO.	QTY	DESCRIPTION	NOTES
1	21192127	1	Exhaust pipe	
2	981749	1	• Plug	
3	1275549	1	Gasket	
4	981152	3	Flange nut	
5	21141219	1	Heat shield	
6	982694	1	Hose clamp	
7	21141216	1	Heat shield	
8	21104921	1	Hose	Heat exchanger-exhaust riser.
9	994561	1	Hose clamp	
10	994562	1	Hose clamp	
11	969194	1	Clamp	
12	946440	1	Flange screw	
13	21264221	1	Hexagon nut	
14	977801	1	Spacer sleeve	
15	953060	1	Stud	
16	21190796	1	Exhaust pipe	
17	3841928	4	Flange screw	
18	853012	4	Hose clamp	
19	3863450	1	Bellows	
20	21441559	1	Bracket	
21	946440	3	Flange screw	
22	992404	1	Grommet	
23	40005089	1	Spacer	

D3-110I-D, D3-110I-E, D3-110I-F, D3-140I-E, D3-140I-F, D3-150I-D, D3-140A-D, D3-140A-E, D3-140A-F,
D3-150I-E, D3-150I-F, D3-170I-D, D3-170I-E, D3-170I-F, D3-170A-D, D3-170A-E, D3-170A-F, D3-200I-D, D3-200I-E, D3-200I-F,
D3-200A-D, D3-200A-E, D3-200A-F, D3-220I-D, D3-220I-E, D3-220I-F, D3-220A-D, D3-220A-E, D3-220A-F

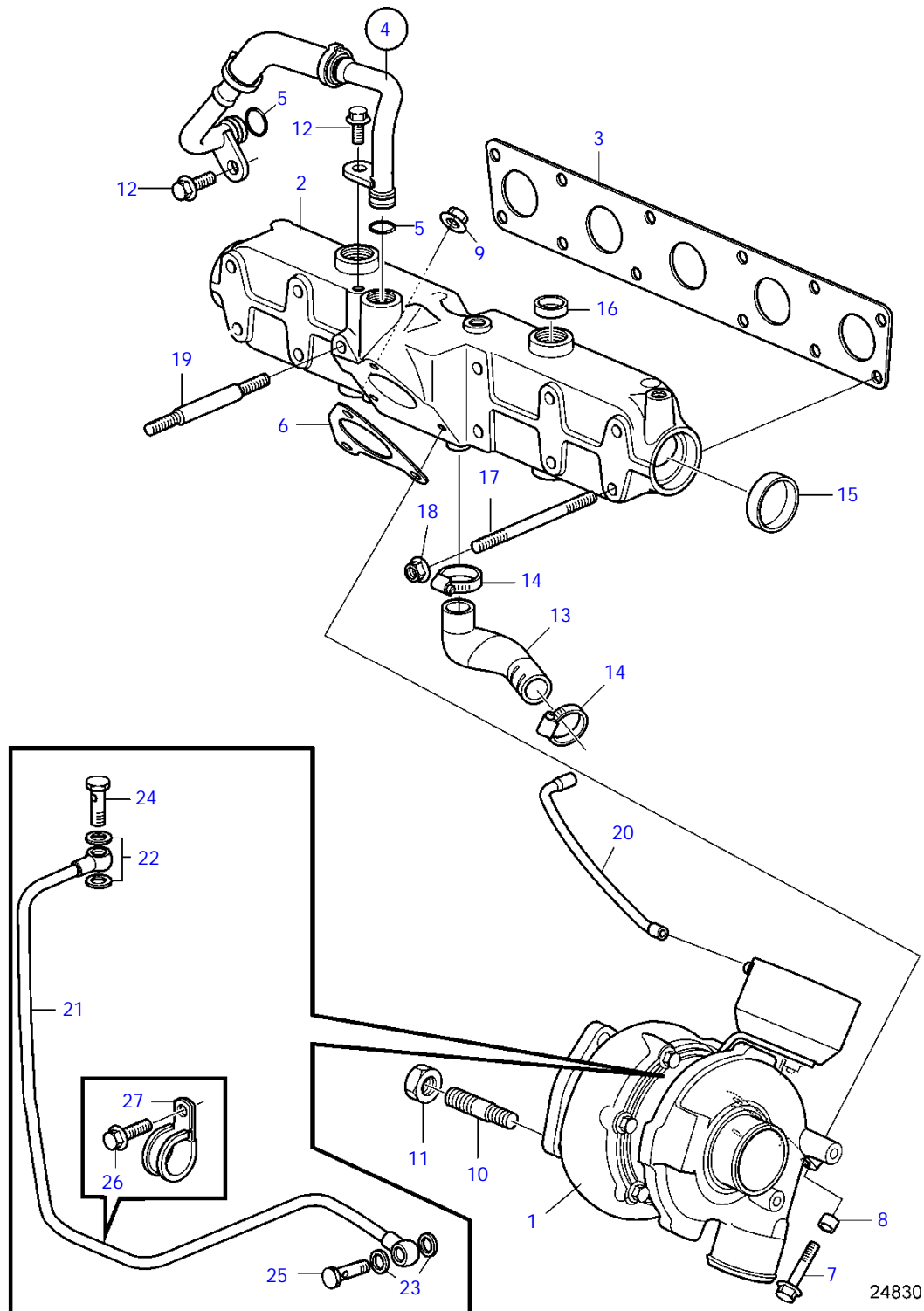


24872

D3-110I-D, D3-110I-E, D3-110I-F, D3-140I-E, D3-140I-F, D3-150I-D, D3-140A-D, D3-140-A-E, D3-140A-E, D3-140A-F, D3-150I-E, D3-150I-F, D3-170I-D, D3-170I-E, D3-170I-F, D3-170A-D, D3-170A-E, D3-170A-F, D3-200I-D, D3-200I-E, D3-200I-F, D3-200A-D, D3-200A-E, D3-200A-F, D3-220I-D, D3-220I-E, D3-220I-F, D3-220A-D, D3-220A-E, D3-220A-F

REF	PART NO.	QTY	DESCRIPTION	NOTES
1	21377745	1	Hose, vacuum pump	
2	21377749	1	Hose, turbo	
3	30637251	1	Governor	
4	948746	2	Flange screw	M6x16mm
5	3819406	1	Vacuum pump, kit	
	31219463	1	* Vacuum pump	
6	955083	1	* Cap plug	
7	8658101	1	O-ring	
8	952624	1	Clamp	

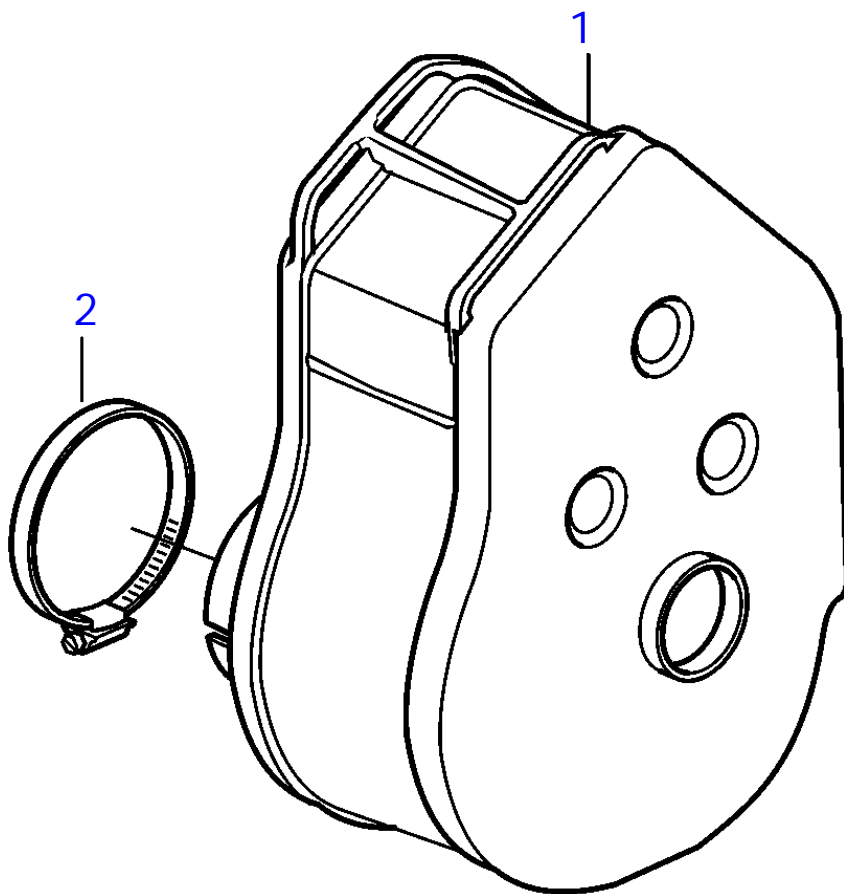
D3-110I-D, D3-110I-E, D3-110I-F, D3-140I-E, D3-140I-F, D3-150I-D, D3-140A-D, D3-140A-E, D3-140A-F, D3-150I-E, D3-150I-F, D3-170I-D, D3-170I-E, D3-170I-F, D3-170A-D, D3-170A-E, D3-170A-F, D3-200I-D, D3-200I-E, D3-200I-F, D3-200A-D, D3-200A-E, D3-200A-F, D3-220I-D, D3-220I-E, D3-220I-F, D3-220A-D, D3-220A-E, D3-220A-F



D3-110I-D, D3-110I-E, D3-110I-F, D3-140I-E, D3-140I-F, D3-150I-D, D3-140A-D, D3-140-A-E, D3-140A-E, D3-140A-F, D3-150I-E, D3-150I-F, D3-170I-D, D3-170I-E, D3-170I-F, D3-170A-D, D3-170A-E, D3-170A-F, D3-200I-D, D3-200I-E, D3-200I-F, D3-200A-D, D3-200A-E, D3-200A-F, D3-220I-D, D3-220I-E, D3-220I-F, D3-220A-D, D3-220A-E, D3-220A-F

REF	PART NO.	QTY	DESCRIPTION	SEE SEC.	NOTES
1	3801387	1	Turbocharger		
2	21117071	1	Exhaust manifold		
3	30777682	1	Gasket		
4	21252495	1	Inlet pipe		
5	982292	2	O-ring		
6	8631549	1	Gasket		
7	994647	2	Flange screw		
8	994626	2	Spacer sleeve		
9	945408	1	Flange nut		
10	982449	3	Stud		
11	981152	3	Flange nut		
12	945444	2	Flange screw		M8x25mm
13	21454204	1	Hose		
14	943472	2	Hose clamp		
15	967962	2	Cap plug		
16	948811	2	Cap plug		
17	953060	11	Stud		
18	945408	12	Flange nut		
19	947698	1	Stud		M8x130mm
20		1	Hose	35712	
21	21098182	1	Oil pressure pipe		
22	18665	2	Gasket		
23	969011	2	Gasket		
24	995343	2	Hollow screw		
25	25167	1	Hollow screw		
26	946544	1	Flange screw		M6x16mm
27	952624	1	Clamp		

D3-110I-D, D3-110I-E, D3-110I-F, D3-140I-E, D3-140I-F, D3-150I-D, D3-140A-D, D3-140A-E, D3-140A-F, D3-150I-E, D3-150I-F, D3-170I-D, D3-170I-E, D3-170I-F, D3-170A-D, D3-170A-E, D3-170A-F, D3-200I-D, D3-200I-E, D3-200I-F, D3-200A-D, D3-200A-E, D3-200A-F, D3-220I-D, D3-220I-E, D3-220I-F, D3-220A-D, D3-220A-E, D3-220A-F



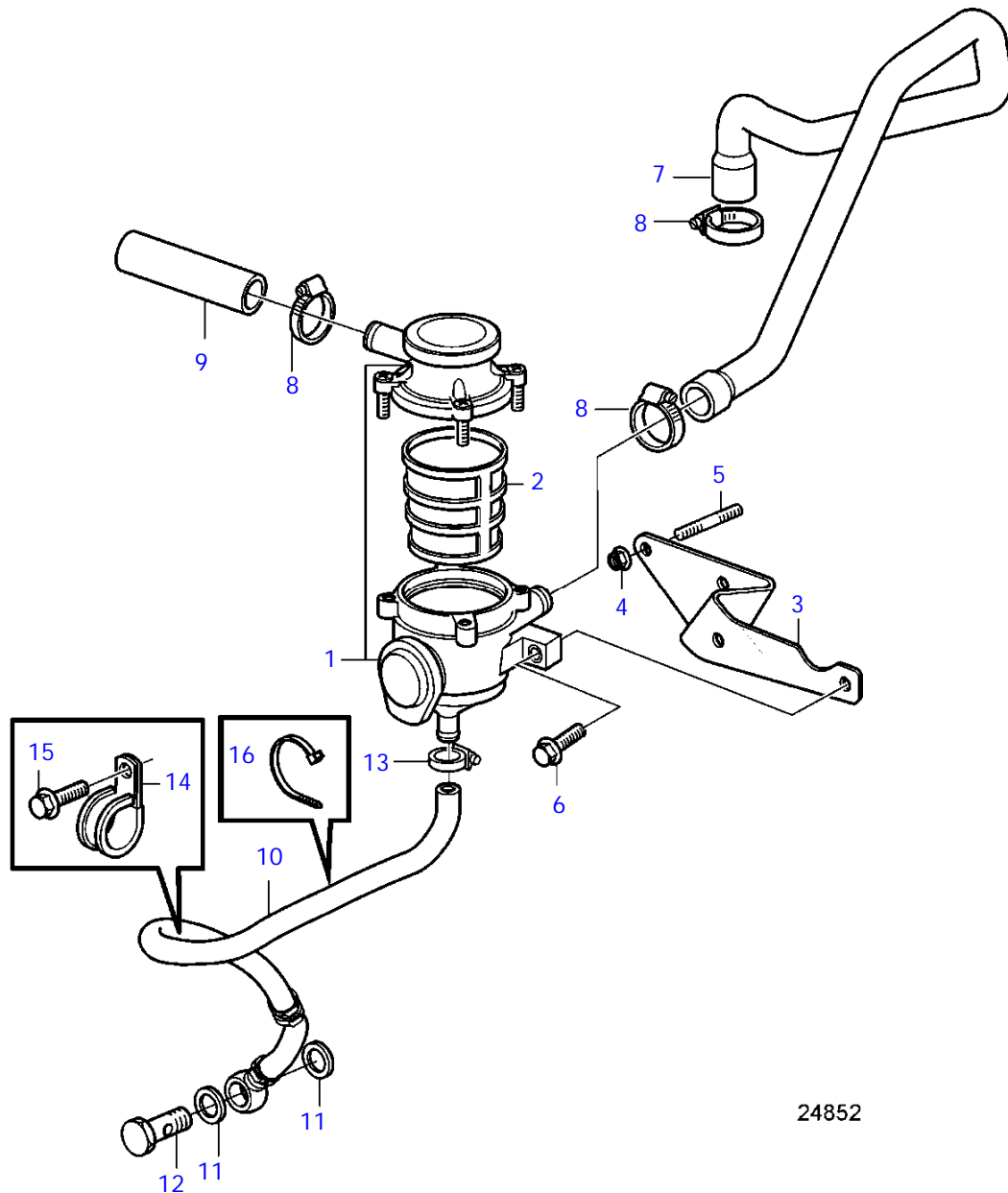
24822

D3-110I-D, D3-110I-E, D3-110I-F, D3-140I-E, D3-140I-F, D3-150I-D, D3-140A-D, D3-140-A-E, D3-140A-E, D3-140A-F, D3-150I-E, D3-150I-F, D3-170I-D, D3-170I-E, D3-170I-F, D3-170A-D, D3-170A-E, D3-170A-F, D3-200I-D, D3-200I-E, D3-200I-F, D3-200A-D, D3-200A-E, D3-200A-F, D3-220I-D, D3-220I-E, D3-220I-F, D3-220A-D, D3-220A-E, D3-220A-F

REF	PART NO.	QTY	DESCRIPTION
1	21379288	1	Air cleaner
2	961672	1	Hose clamp



D3-110I-D, D3-110I-E, D3-110I-F, D3-140I-E, D3-140I-F, D3-150I-D, D3-140A-D, D3-140A-E, D3-140A-F,
 D3-150I-E, D3-150I-F, D3-170I-D, D3-170I-E, D3-170I-F, D3-170A-D, D3-170A-E, D3-170A-F, D3-200I-D, D3-200I-E, D3-200I-F,
 D3-200A-D, D3-200A-E, D3-200A-F, D3-220I-D, D3-220I-E, D3-220I-F, D3-220A-D, D3-220A-E, D3-220A-F

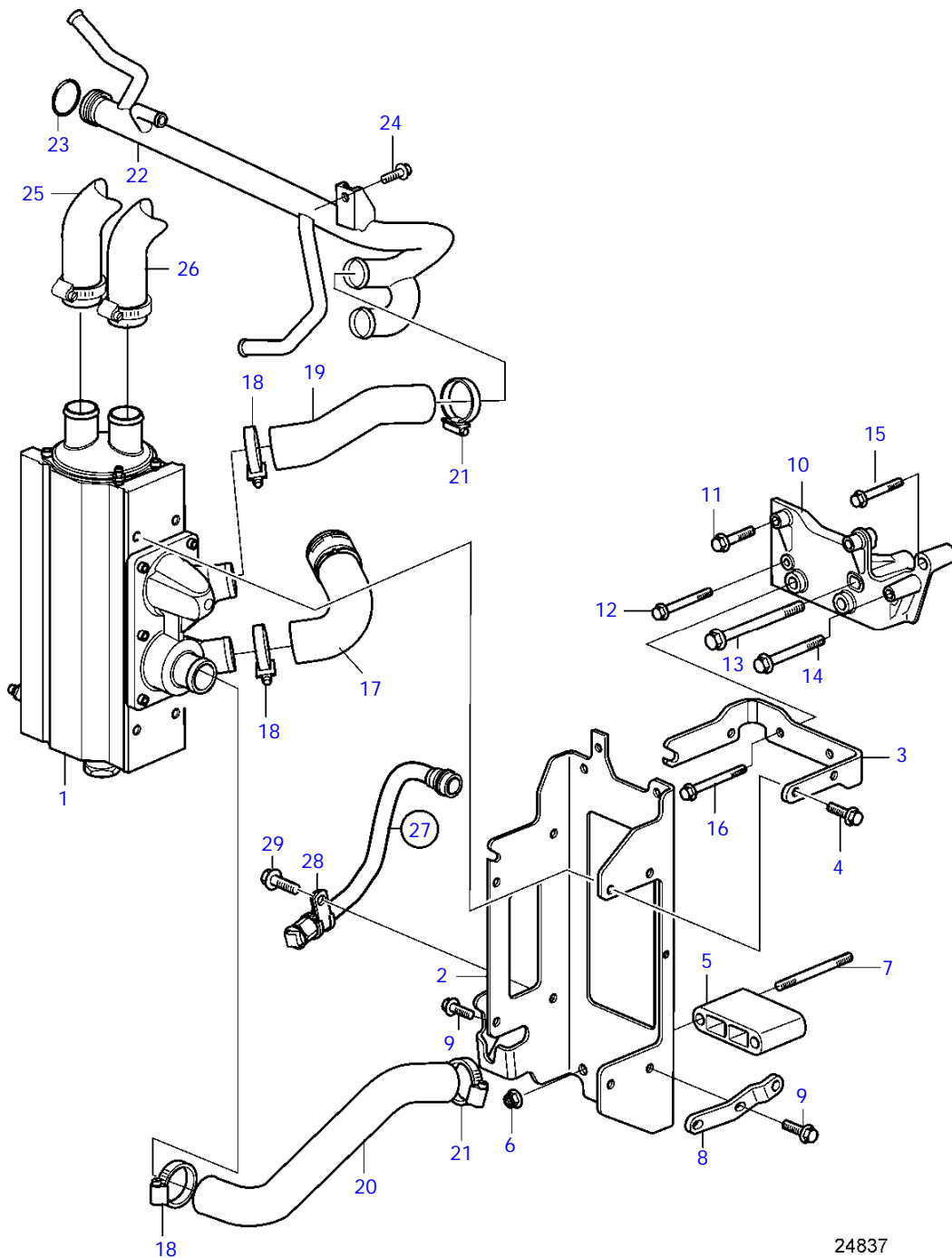


24852

D3-110I-D, D3-110I-E, D3-110I-F, D3-140I-E, D3-140I-F, D3-150I-D, D3-140A-D, D3-140-A-E, D3-140A-E, D3-140A-F, D3-150I-E, D3-150I-F, D3-170I-D, D3-170I-E, D3-170I-F, D3-170A-D, D3-170A-E, D3-170A-F, D3-200I-D, D3-200I-E, D3-200I-F, D3-200A-D, D3-200A-E, D3-200A-F, D3-220I-D, D3-220I-E, D3-220I-F, D3-220A-D, D3-220A-E, D3-220A-F

REF	PART NO.	QTY	DESCRIPTION	NOTES
1	21360804	1	Oil trap	Replaced by 21690243
	21690243	1	Oil trap	
2	21368879	1	Insert	
3	21353287	1	Bracket	Replaced by 21560971
	21560971	1	Bracket	
4	945408	3	Flange nut	
5	953060	3	Stud	
6	946671	2	Flange screw	M8x30mm
7	21353366	1	Hose	
8	961664	3	Hose clamp	
9	949995	1	Hose	
10	21461603	1	Hose assembly	
11	11998	2	Gasket	
12	26013	1	Hollow screw	
13	961664	1	Hose clamp	
14	952631	1	Clamp	
15	946544	1	Flange screw	M6x16mm
16	948211	1	Cable tie	

D3-110I-D, D3-110I-E, D3-110I-F, D3-140I-E, D3-140I-F, D3-150I-D, D3-140A-D, D3-140A-E, D3-140A-F, D3-150I-E, D3-150I-F, D3-170I-D, D3-170I-E, D3-170I-F, D3-170A-D, D3-170A-E, D3-170A-F, D3-200I-D, D3-200I-E, D3-200I-F, D3-200A-D, D3-200A-E, D3-200A-F, D3-220I-D, D3-220I-E, D3-220I-F, D3-220A-D, D3-220A-E, D3-220A-F

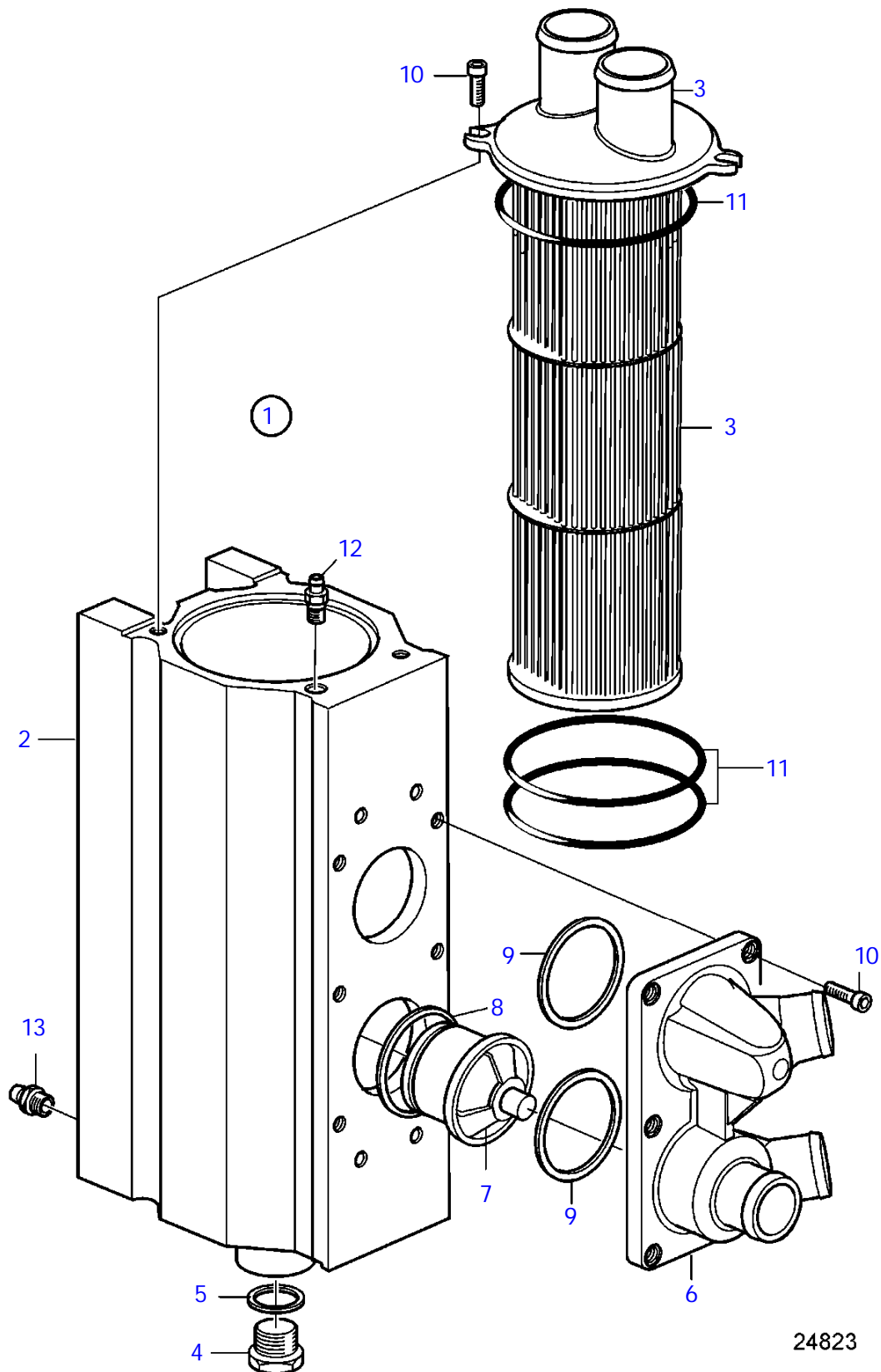


24837

D3-110I-D, D3-110I-E, D3-110I-F, D3-140I-E, D3-140I-F, D3-150I-D, D3-140A-D, D3-140-A-E, D3-140A-E, D3-140A-F, D3-150I-E, D3-150I-F, D3-170I-D, D3-170I-E, D3-170I-F, D3-170A-D, D3-170A-E, D3-170A-F, D3-200I-D, D3-200I-E, D3-200I-F, D3-200A-D, D3-200A-E, D3-200A-F, D3-220I-D, D3-220I-E, D3-220I-F, D3-220A-D, D3-220A-E, D3-220A-F

REF	PART NO.	QTY	DESCRIPTION	SEE SEC.	NOTES
1		1	Heat exchanger	35698	
2	21442271	1	Bracket		Replaced by 21572462
	21572462	1	Bracket		
3	21308169	1	Stay		
4	946671	4	Flange screw		M8x30mm
5	21306599	1	Profile		
6	971095	2	Flange nut		
7	953084	2	Stud		M10x110mm
8	21406493	1	Stay		
9	946671	2	Flange screw		M8x30mm
10	21259868	1	Bracket		
11	946671	2	Flange screw		M8x30mm
12	968172	1	Flange screw		M7x90mm
13	946472	2	Flange screw		
14	969313	1	Flange screw		M10x110mm
15	965187	1	Flange screw		M10x60mm
16	946671	1	Flange screw		M8x30mm
17	21205108	1	Hose		Replaced by 21166146, SN-2003018457
	21166146	1	Hose		SN2003018458-
18	961670	3	Hose clamp		
19	21166149	1	Hose		
20	21454184	1	Hose		
21	961669	2	Hose clamp		
22	21453988	1	Inlet pipe		Replaced by 21591184
	21591184	1	Inlet pipe		
23	976045	1	O-ring		
24	946544	1	Flange screw		
25		1	Hose	35682	Inboard
		1	Hose	35684	AQ
26	21166127	1	Hose		Charge air cooler-Heat exchanger
27	21462783	1	Hose		SN-2003018457
	21501494	1	Hose		SN2003018458-
28	947827	1	Clamp		
29	946501	1	Flange screw		

D3-110I-D, D3-110I-E, D3-110I-F, D3-140I-E, D3-140I-F, D3-150I-D, D3-140A-D, D3-140A-E, D3-140A-F, D3-150I-E, D3-150I-F, D3-170I-D, D3-170I-E, D3-170I-F, D3-170A-D, D3-170A-E, D3-170A-F, D3-200I-D, D3-200I-E, D3-200I-F, D3-200A-D, D3-200A-E, D3-200A-F, D3-220I-D, D3-220I-E, D3-220I-F, D3-220A-D, D3-220A-E, D3-220A-F

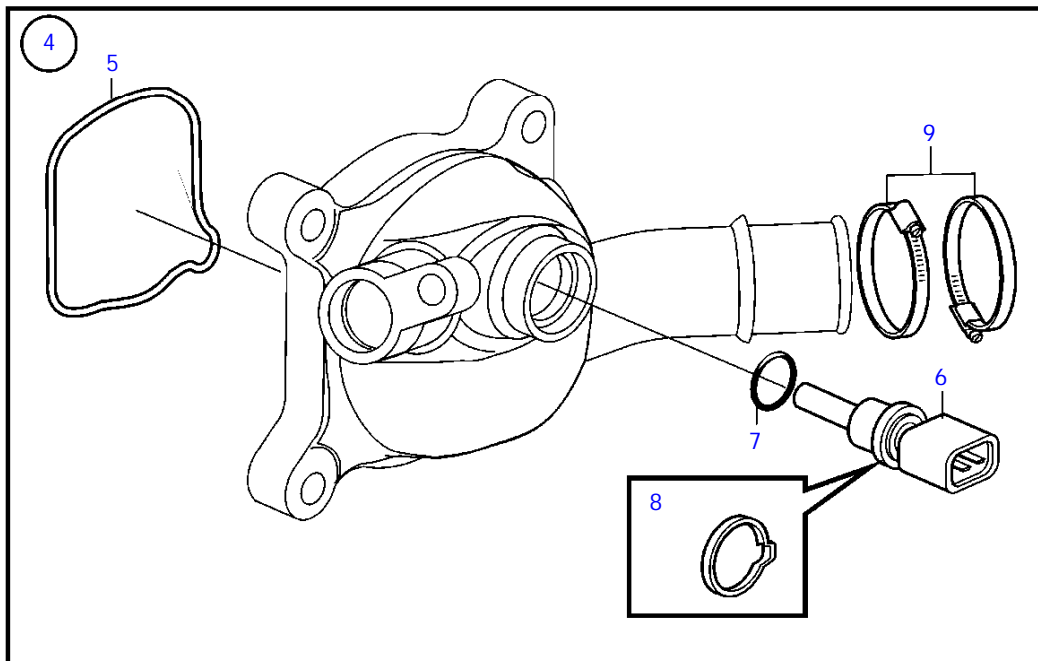
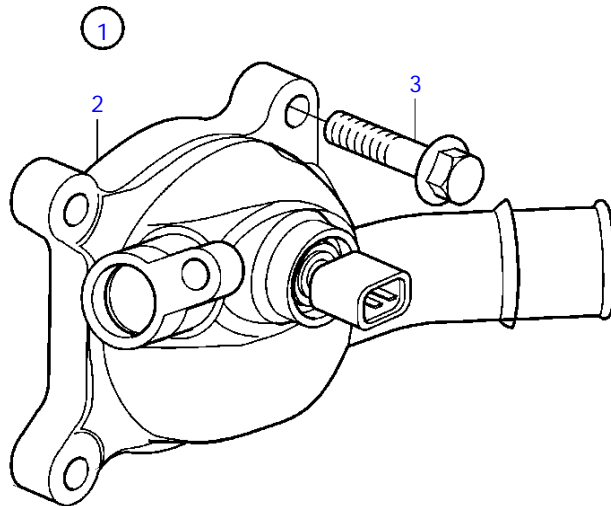


24823

D3-110I-D, D3-110I-E, D3-110I-F, D3-140I-E, D3-140I-F, D3-150I-D, D3-140A-D, D3-140-A-E, D3-140A-E, D3-140A-F, D3-150I-E, D3-150I-F, D3-170I-D, D3-170I-E, D3-170I-F, D3-170A-D, D3-170A-E, D3-170A-F, D3-200I-D, D3-200I-E, D3-200I-F, D3-200A-D, D3-200A-E, D3-200A-F, D3-220I-D, D3-220I-E, D3-220I-F, D3-220A-D, D3-220A-E, D3-220A-F

REF	PART NO.	QTY	DESCRIPTION
1	21456343	1	Heat exchanger
2		1	* Housing
3	21262921	1	* Insert
4	21262925	1	* Plug
5	948887	1	* O-ring
6	21456344	1	* Cover
7	3840816	1	* Thermostat
8	3584299	1	* Gasket
9	21273476	2	* O-ring
10	945444	8	* Flange screw
11	3838336	3	* O-ring
12	3842014	1	* Pipe
13	3583822	1	* Draining nipple

D3-110I-D, D3-110I-E, D3-110I-F, D3-140I-E, D3-140I-F, D3-150I-D, D3-140A-D, D3-140A-E, D3-140A-F, D3-150I-E, D3-150I-F, D3-170I-D, D3-170I-E, D3-170I-F, D3-170A-D, D3-170A-E, D3-170A-F, D3-200I-D, D3-200I-E, D3-200I-F, D3-200A-D, D3-200A-E, D3-200A-F, D3-220I-D, D3-220I-E, D3-220I-F, D3-220A-D, D3-220A-E, D3-220A-F

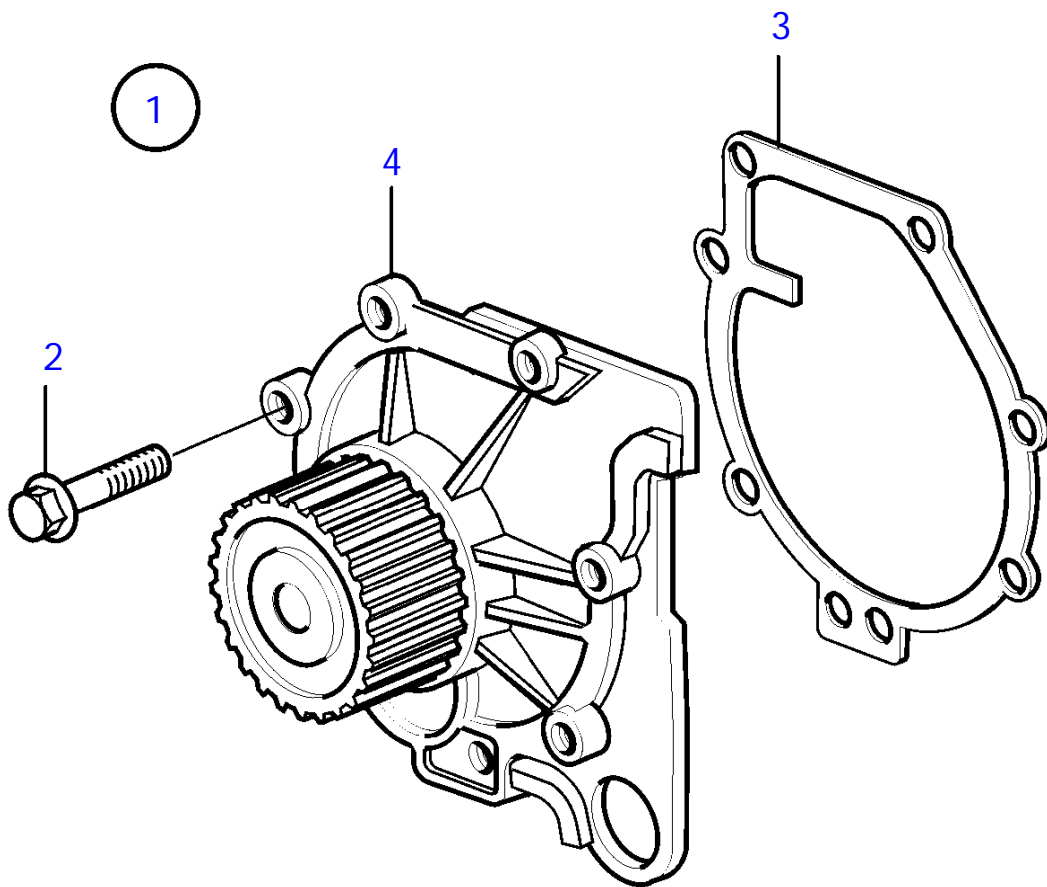


25292

D3-110I-D, D3-110I-E, D3-110I-F, D3-140I-E, D3-140I-F, D3-150I-D, D3-140A-D, D3-140A-E, D3-140A-F, D3-150I-E, D3-150I-F, D3-170I-D, D3-170I-E, D3-170I-F, D3-170A-D, D3-170A-E, D3-170A-F, D3-200I-D, D3-200I-E, D3-200I-F, D3-200A-D, D3-200A-E, D3-200A-F, D3-220I-D, D3-220I-E, D3-220I-F, D3-220A-D, D3-220A-E, D3-220A-F

REF	PART NO.	QTY	DESCRIPTION	SEE SEC.	NOTES
1	21560216	1	Kit		
2	21487282	1	* Water outlet pipe		Replaced by 21480802
	21480802	1	* Water outlet pipe		
			* Installation Instruction 47701756	47701756-EN	Water Outlet
3	986228	1	* 6 point socket screw		
4	21664969	1	* Small parts kit		
5	(31293624)	1	* • Sealing		Obsolete part
6		1	* • Sensor		
7	(30713577)	1	* • O-ring		Obsolete part
8	(30713576)	1	* • Clip		Obsolete part
9	961670	2	* Hose clamp		

D3-110I-D, D3-110I-E, D3-110I-F, D3-140I-E, D3-140I-F, D3-150I-D, D3-140A-D, D3-140A-E, D3-140A-F, D3-150I-E, D3-150I-F, D3-170I-D, D3-170I-E, D3-170I-F, D3-170A-D, D3-170A-E, D3-170A-F, D3-200I-D, D3-200I-E, D3-200I-F, D3-200A-D, D3-200A-E, D3-200A-F, D3-220I-D, D3-220I-E, D3-220I-F, D3-220A-D, D3-220A-E, D3-220A-F



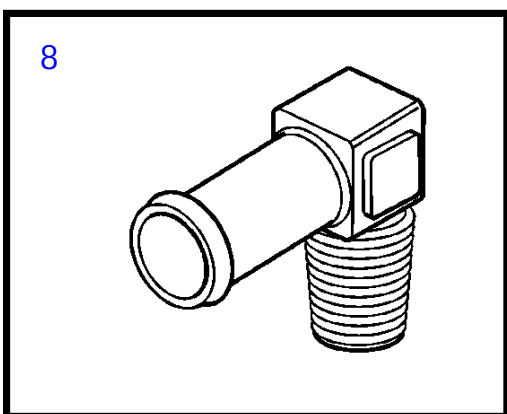
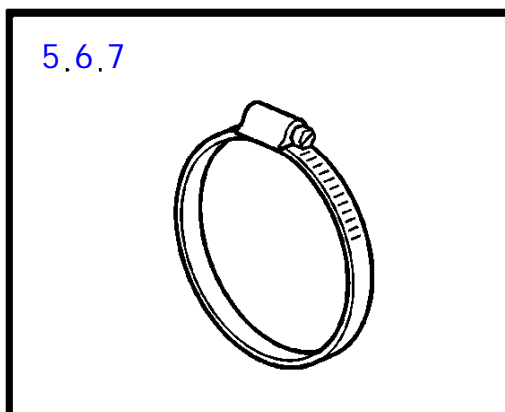
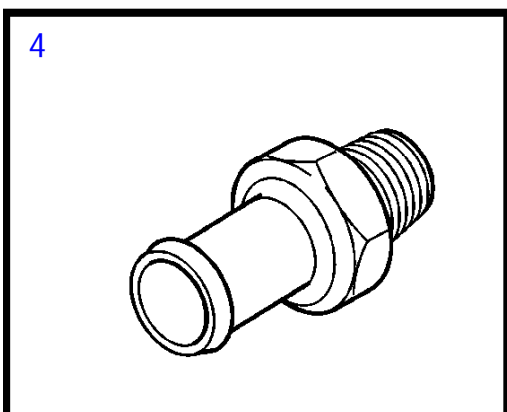
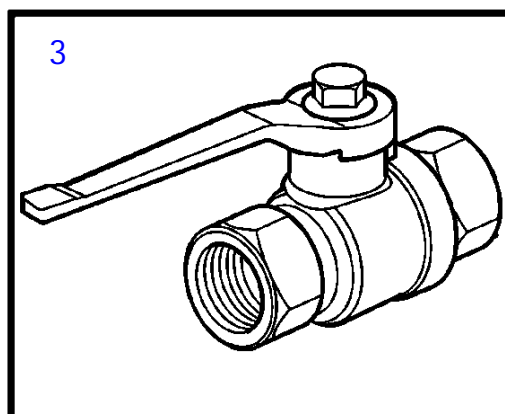
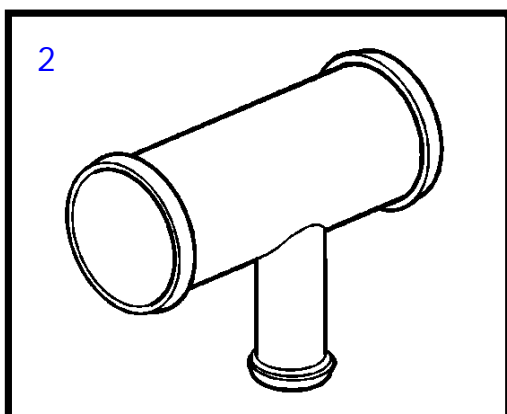
25091

D3-110I-D, D3-110I-E, D3-110I-F, D3-140I-E, D3-140I-F, D3-150I-D, D3-140A-D, D3-140A-E, D3-140A-F, D3-150I-E, D3-150I-F, D3-170I-D, D3-170I-E, D3-170I-F, D3-170A-D, D3-170A-E, D3-170A-F, D3-200I-D, D3-200I-E, D3-200I-F, D3-200A-D, D3-200A-E, D3-200A-F, D3-220I-D, D3-220I-E, D3-220I-F, D3-220A-D, D3-220A-E, D3-220A-F

REF	PART NO.	QTY	DESCRIPTION	NOTES
1	3801404	1	Coolant pump	
2	985151	7	* Flange screw	
3	30677767	1	* Gasket	
4		1	* Water pump	Not sold separately.

D3-110I-D, D3-110I-E, D3-110I-F, D3-140I-E, D3-140I-F, D3-150I-D, D3-140A-D, D3-140A-E, D3-140A-F, D3-150I-E, D3-150I-F, D3-170I-D, D3-170I-E, D3-170I-F, D3-170A-D, D3-170A-E, D3-170A-F, D3-200I-D, D3-200I-E, D3-200I-F, D3-200A-D, D3-200A-E, D3-200A-F, D3-220I-D, D3-220I-E, D3-220I-F, D3-220A-D, D3-220A-E, D3-220A-F

1

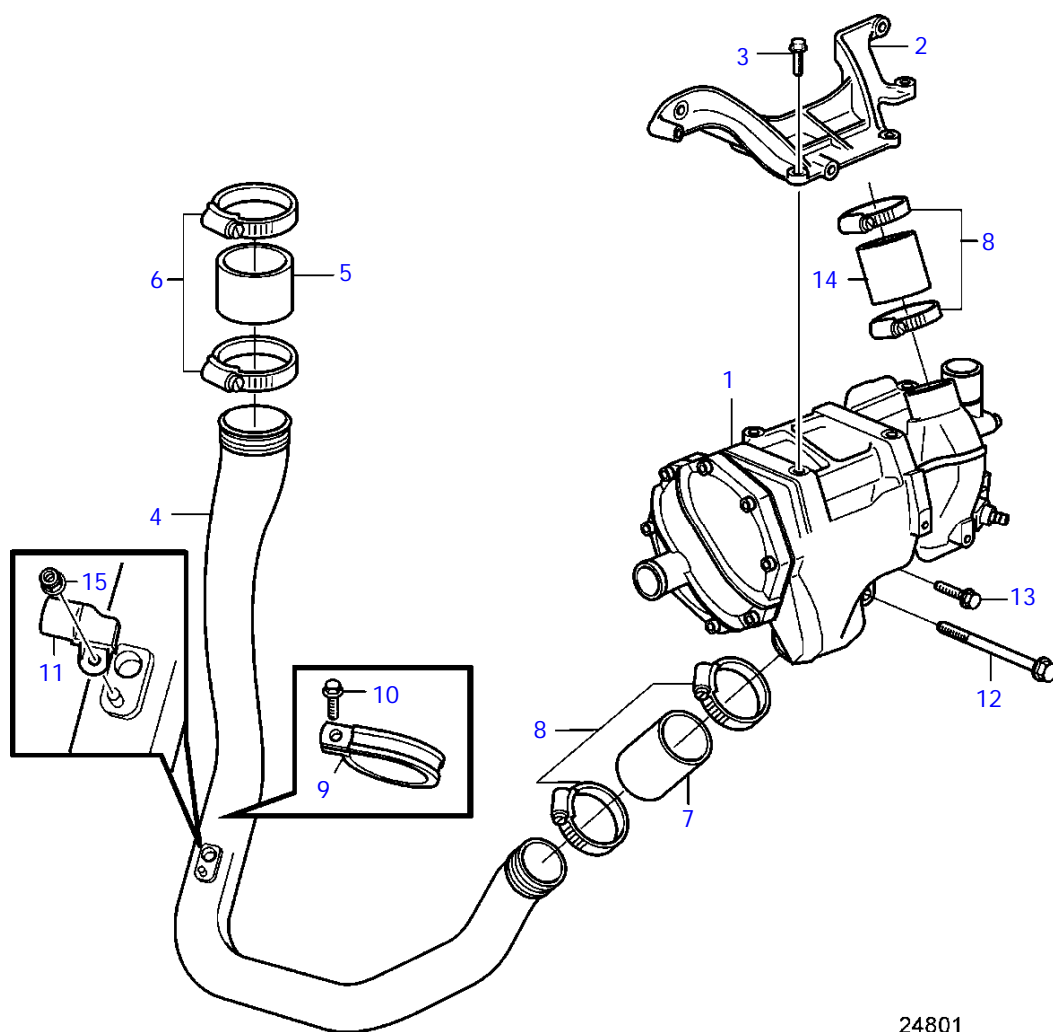


24953

D3-110I-D, D3-110I-E, D3-110I-F, D3-140I-E, D3-140I-F, D3-150I-D, D3-140A-D, D3-140-A-E, D3-140A-E, D3-140A-F, D3-150I-E, D3-150I-F, D3-170I-D, D3-170I-E, D3-170I-F, D3-170A-D, D3-170A-E, D3-170A-F, D3-200I-D, D3-200I-E, D3-200I-F, D3-200A-D, D3-200A-E, D3-200A-F, D3-220I-D, D3-220I-E, D3-220I-F, D3-220A-D, D3-220A-E, D3-220A-F

REF	PART NO.	QTY	DESCRIPTION
1	21339078	1	Hot water output kit
2	3581182	1	* Coolant pipe
3	1140097	2	* Ball valve
4	961657	6	* Hose nipple
5	961666	2	* Hose clamp
6	961665	6	* Hose clamp
7	994561	2	* Hose clamp
8	961607	1	Hose nipple

D3-110I-D, D3-110I-E, D3-110I-F, D3-140I-E, D3-140I-F, D3-150I-D, D3-140A-D, D3-140A-E, D3-140A-F, D3-150I-E, D3-150I-F, D3-170I-D, D3-170I-E, D3-170I-F, D3-170A-D, D3-170A-E, D3-170A-F, D3-200I-D, D3-200I-E, D3-200I-F, D3-200A-D, D3-200A-E, D3-200A-F, D3-220I-D, D3-220I-E, D3-220I-F, D3-220A-D, D3-220A-E, D3-220A-F

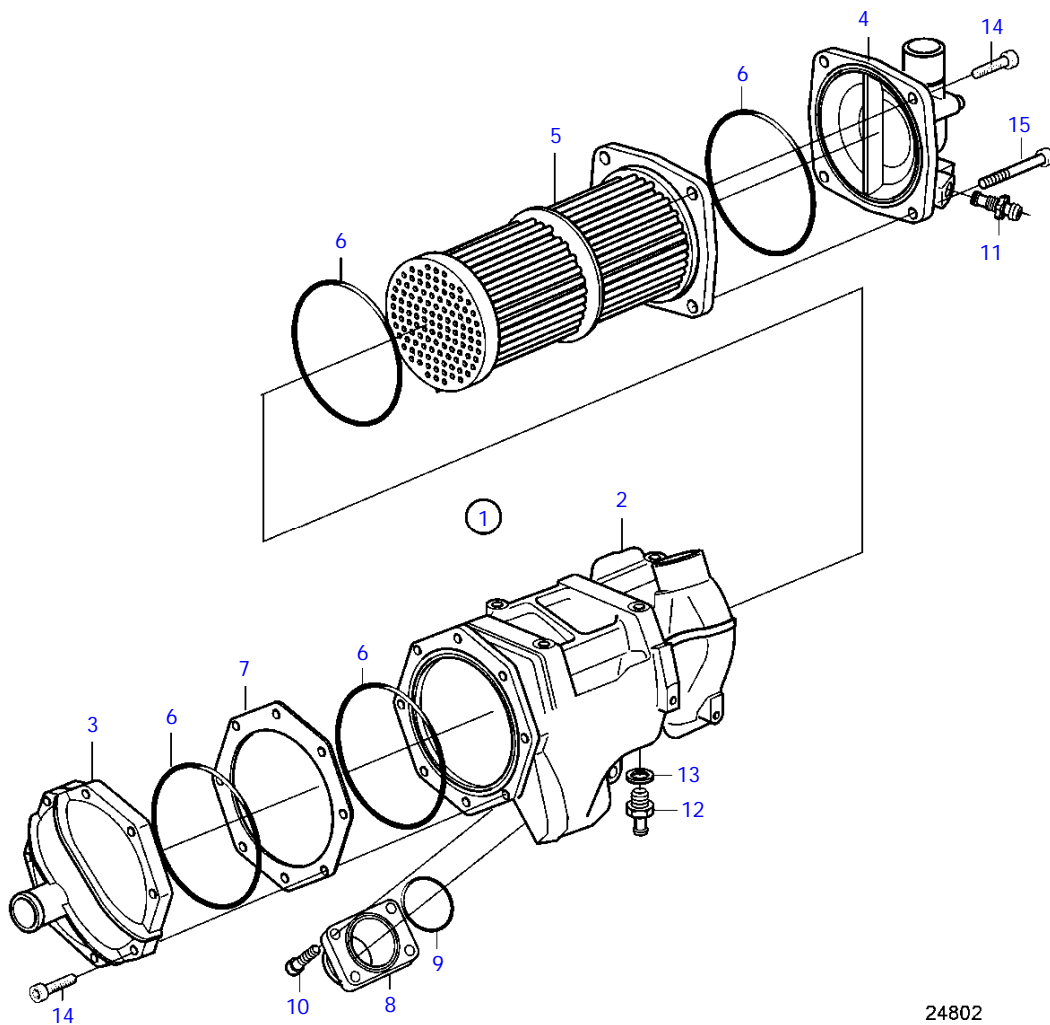


24801

D3-110I-D, D3-110I-E, D3-110I-F, D3-140I-E, D3-140I-F, D3-150I-D, D3-140A-D, D3-140-A-E, D3-140A-E, D3-140A-F, D3-150I-E, D3-150I-F, D3-170I-D, D3-170I-E, D3-170I-F, D3-170A-D, D3-170A-E, D3-170A-F, D3-200I-D, D3-200I-E, D3-200I-F, D3-200A-D, D3-200A-E, D3-200A-F, D3-220I-D, D3-220I-E, D3-220I-F, D3-220A-D, D3-220A-E, D3-220A-F

REF	PART NO.	QTY	DESCRIPTION	SEE SEC.	NOTES
1		1	Intercooler		
			*	35671	
2	21194424	1	Bracket		
3	946671	4	Flange screw		M8x30mm
4	21411642	1	Charge air pipe		
5	30677765	1	Hose		
6	943480	2	Hose clamp		
7	847385	1	Hose		
8	994564	4	Hose clamp		
9	945734	1	Clamp		
10	946544	1	Flange screw		M6x16mm
11	21385453	1	Pressure sensor		
12	973098	1	Flange screw		M10x150mm
13	947760	1	Flange screw		M8x40mm
14	466327	1	Hose		
15	965483	1	Flange nut		

D3-110I-D, D3-110I-E, D3-110I-F, D3-140I-E, D3-140I-F, D3-150I-D, D3-140A-D, D3-140A-E, D3-140A-F, D3-150I-E, D3-150I-F, D3-170I-D, D3-170I-E, D3-170I-F, D3-170A-D, D3-170A-E, D3-170A-F, D3-200I-D, D3-200I-E, D3-200I-F, D3-200A-D, D3-200A-E, D3-200A-F, D3-220I-D, D3-220I-E, D3-220I-F, D3-220A-D, D3-220A-E, D3-220A-F

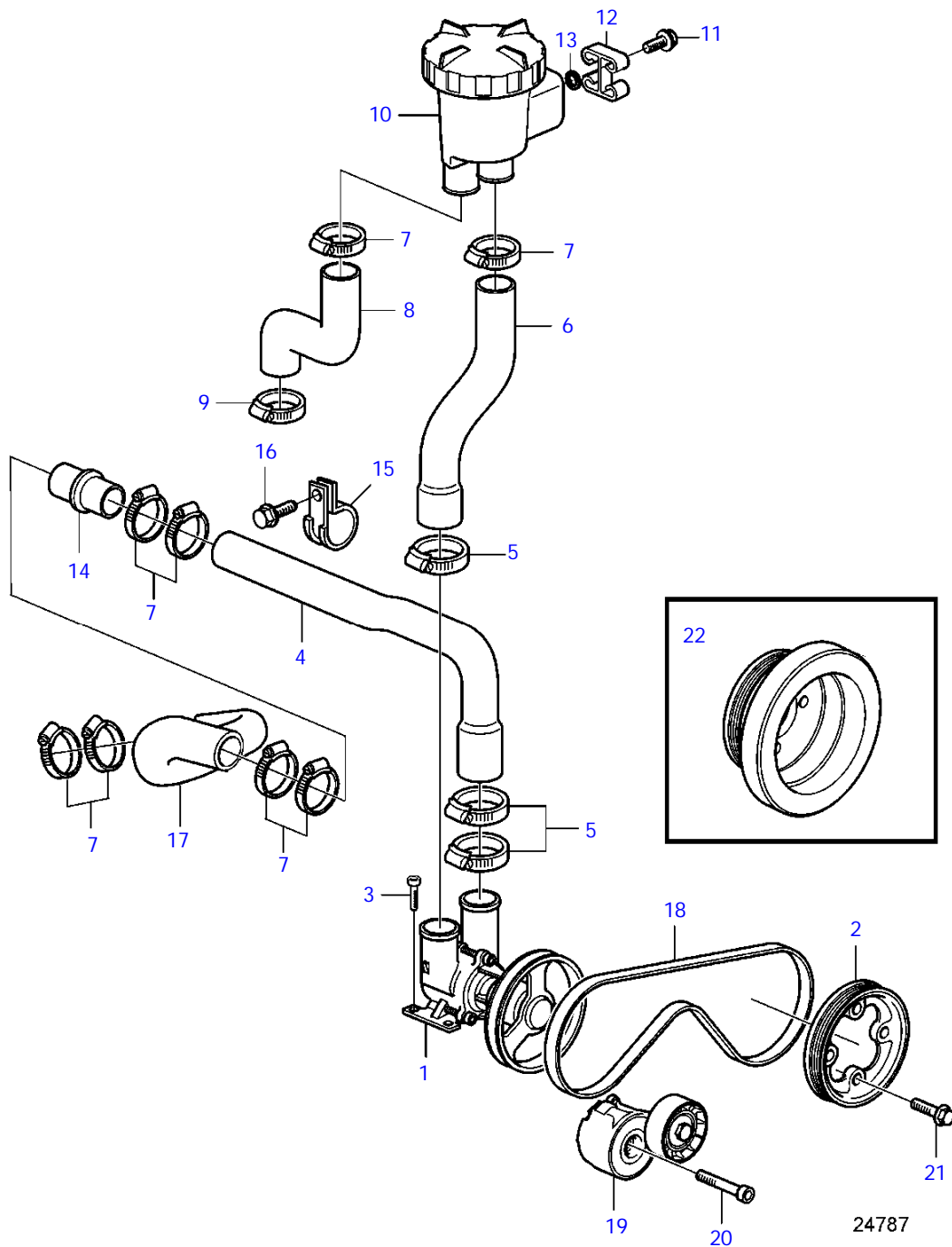


24802

D3-110I-D, D3-110I-E, D3-110I-F, D3-140I-E, D3-140I-F, D3-150I-D, D3-140A-D, D3-140-A-E, D3-140A-E, D3-140A-F, D3-150I-E, D3-150I-F, D3-170I-D, D3-170I-E, D3-170I-F, D3-170A-D, D3-170A-E, D3-170A-F, D3-200I-D, D3-200I-E, D3-200I-F, D3-200A-D, D3-200A-E, D3-200A-F, D3-220I-D, D3-220I-E, D3-220I-F, D3-220A-D, D3-220A-E, D3-220A-F

REF	PART NO.	QTY	DESCRIPTION	NOTES
1	21378472	1	Intercooler	
2	21262889	1	* Housing	
3	21262899	1	* Cover	Inlet
4	21262896	1	* Cover	Outlet
5	21262900	1	* Intercooler	
6	3838406	4	* O-ring	
7	3838407	1	* Spacer	
8	21262907	1	* Pipe	
9	866690	1	* O-ring	
10	3838501	4	* Screw	M6x25mm
11	3583822	1	* Draining nipple	
12	3889545	1	* Nipple	
13	947282	1	* Gasket	
14	959224	11	* Hex. socket screw	M8x35mm
15	959230	1	* Hex. socket screw	M8x65mm

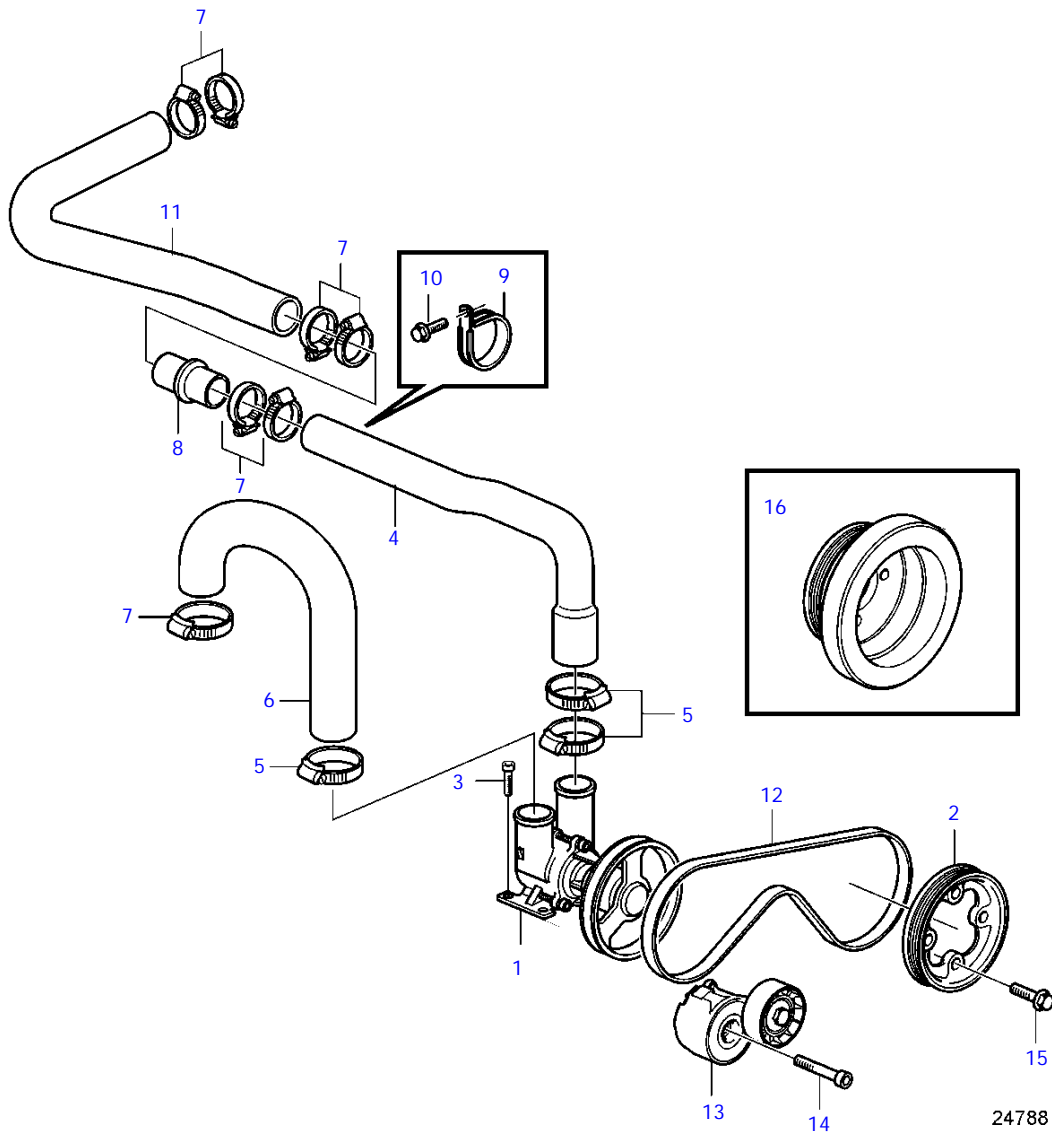
D3-140A-D, D3-140A-E, D3-140A-F, D3-170A-D, D3-170A-E, D3-170A-F, D3-200A-D, D3-200A-E, D3-200A-F, D3-220A-D, D3-220A-E, D3-220A-F



D3-140A-D, D3-140A-E, D3-140A-F, D3-170A-D, D3-170A-E, D3-170A-F, D3-200A-D, D3-200A-E, D3-200A-F, D3-220A-D, D3-220A-E, D3-220A-F

REF	PART NO.	QTY	DESCRIPTION	SEE SEC.	NOTES
1		1	Sea water pump	35781	
2	21110032	1	Pulley		110-170 HP
3	959223	4	Hex. socket screw		M8x30mm
4	21104901	1	Hose		
5	961670	3	Hose clamp		
6	21535682	1	Hose		Sea water pump-sea water filter.
7	994561	8	Hose clamp		
8	21162573	1	Hose		Intercooler-sea water filter.
9	994562	1	Hose clamp		
10		1	Sea water filter	35648	Only for Filter 860631
11	965180	4	Flange screw		M8x20mm
12	21369356	1	Profile		
13	976944	4	Washer		
14	861090	1	Tube		
15	967645	1	Clamp		
16	946544	1	Flange screw		M6x16mm
17	21104899	1	Hose		
18	21160912	1	V-ribbed belt		
19	21424647	1	Belt tensioner		
20	959245	1	Hex. socket screw		
21	975101	4	Flange screw		M10x40mm
22	21255747	1	Vibration damper		

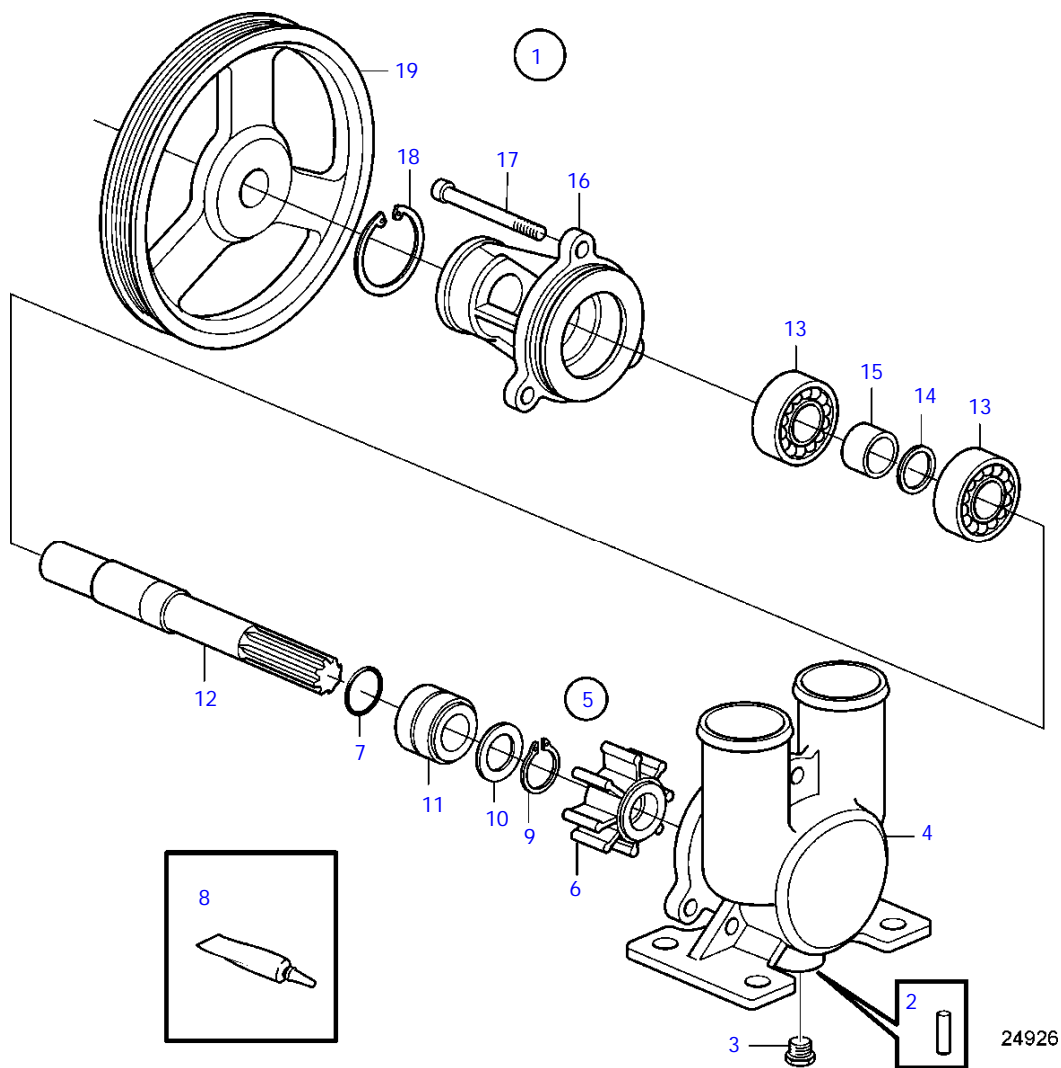
D3-110I-D, D3-110I-E, D3-110I-F, D3-150I-D, D3-150I-E, D3-150I-F, D3-170I-D, D3-170I-E, D3-170I-F, D3-200I-D, D3-200I-E, D3-200I-F, D3-220I-D, D3-220I-E, D3-220I-F



D3-110I-D, D3-110I-E, D3-110I-F, D3-150I-D, D3-150I-E, D3-150I-F, D3-170I-D, D3-170I-E, D3-170I-F, D3-200I-D, D3-200I-E, D3-200I-F, D3-220I-D, D3-220I-E, D3-220I-F

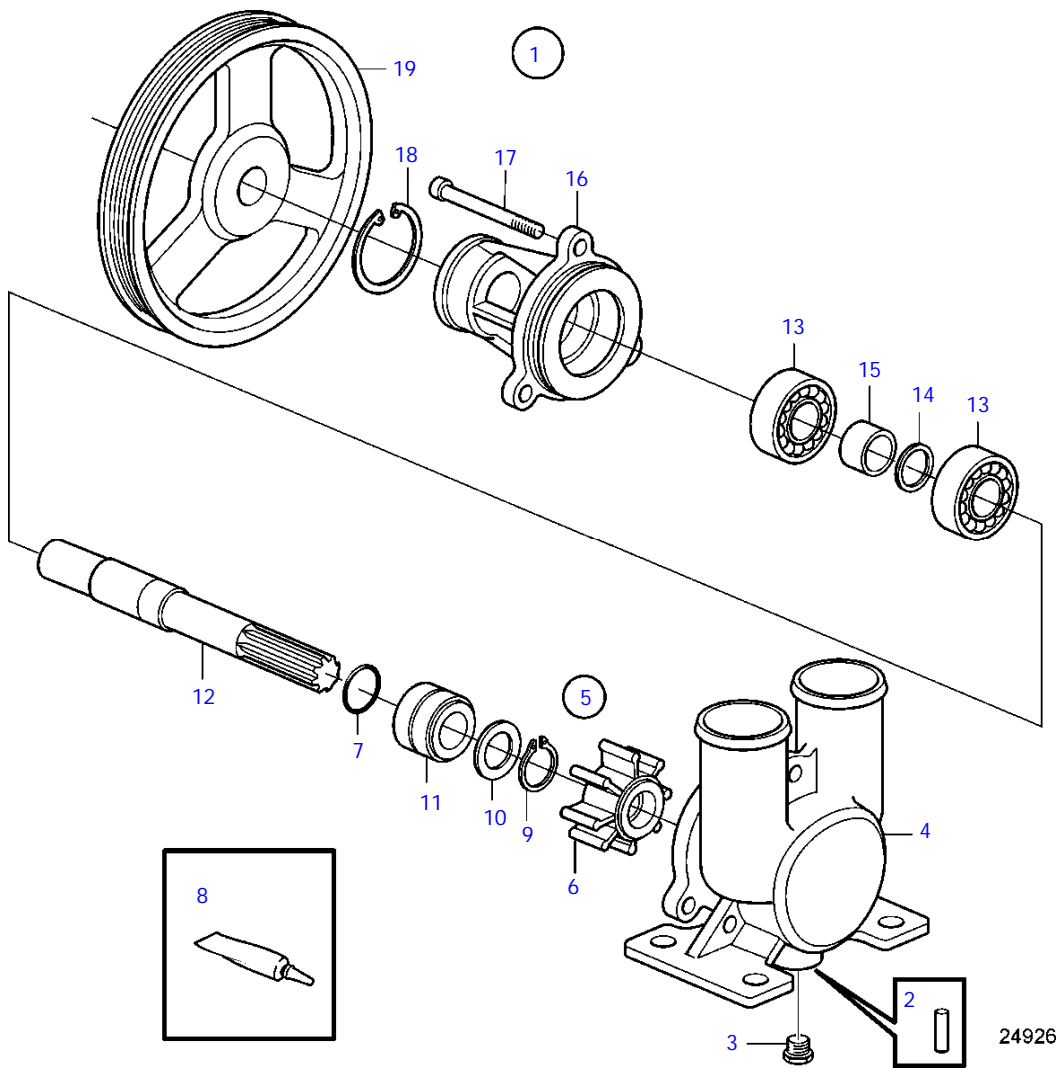
REF	PART NO.	QTY	DESCRIPTION	SEE SEC.	NOTES
1		1	Sea water pump		
			*	35781	
2	21110032	1	Pulley		110-170 HP
3	959223	4	Hex. socket screw		M8x30mm
4	21104901	1	Hose		
5	961670	3	Hose clamp		
6	21162640	1	Hose		Sea water pump-intercooler.
7	994561	7	Hose clamp		
8	861090	1	Tube		
9	967645	1	Clamp		
10	946544	1	Flange screw		M6x16mm
11	21285072	1	Hose		To oil cooler.
12	21160912	1	V-ribbed belt		
13	21424647	1	Belt tensioner		
14	959245	1	Hex. socket screw		
15	975101	4	Flange screw		M10x40mm
16	21255747	1	Vibration damper		

D3-110I-D, D3-110I-E, D3-110I-F, D3-140I-E, D3-140I-F, D3-150I-D, D3-140A-D, D3-140A-E, D3-140A-F, D3-150I-E, D3-150I-F, D3-170I-D, D3-170I-E, D3-170I-F, D3-170A-D, D3-170A-E, D3-170A-F, D3-200I-D, D3-200I-E, D3-200I-F, D3-200A-D, D3-200A-E, D3-200A-F, D3-220I-D, D3-220I-E, D3-220I-F, D3-220A-D, D3-220A-E, D3-220A-F

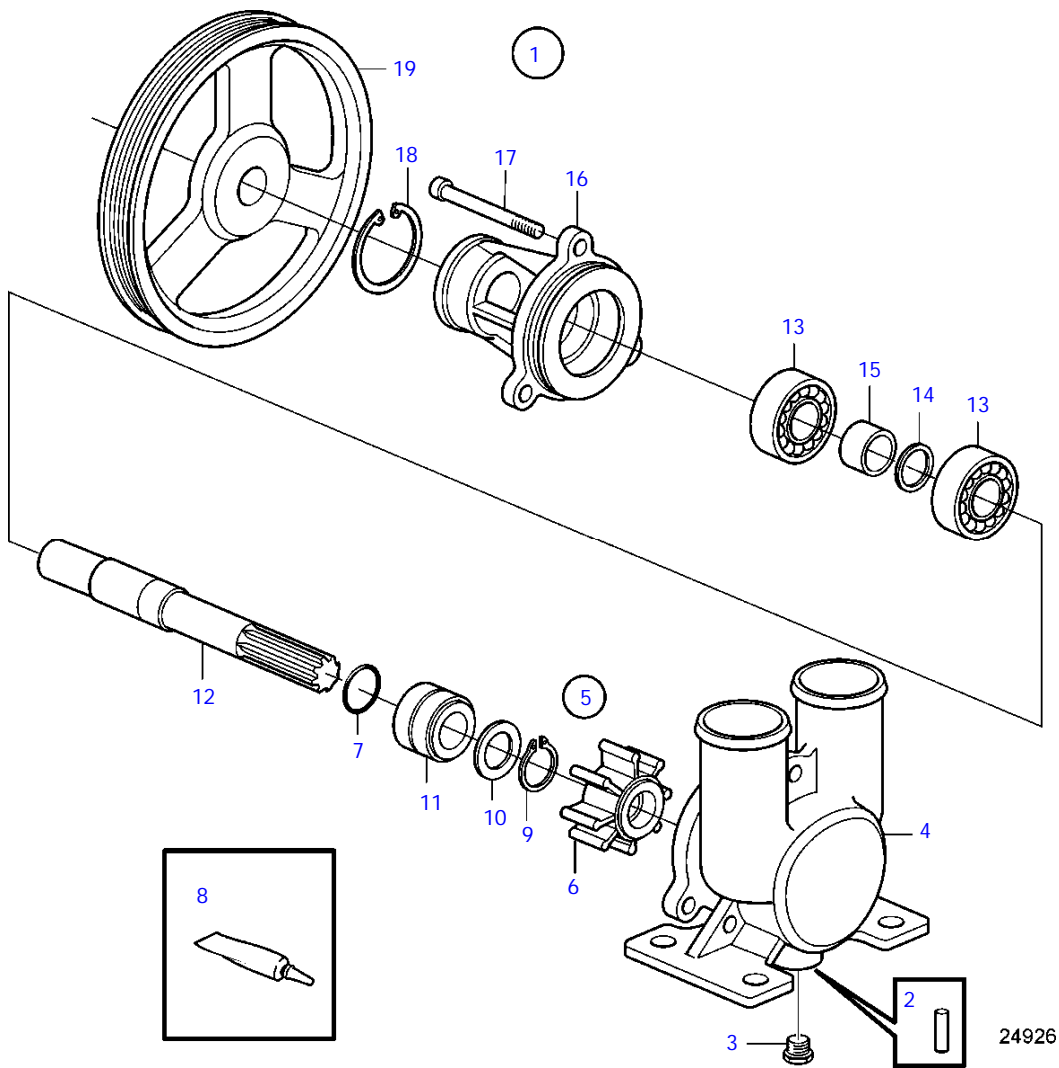


D3-110I-D, D3-110I-E, D3-110I-F, D3-140I-E, D3-140I-F, D3-150I-D, D3-140A-D, D3-140-A-E, D3-140A-E, D3-140A-F, D3-150I-E, D3-150I-F, D3-170I-D, D3-170I-E, D3-170I-F, D3-170A-D, D3-170A-E, D3-170A-F, D3-200I-D, D3-200I-E, D3-200I-F, D3-200A-D, D3-200A-E, D3-200A-F, D3-220I-D, D3-220I-E, D3-220I-F, D3-220A-D, D3-220A-E, D3-220A-F

REF	PART NO.	QTY	DESCRIPTION	SEE SEC.	NOTES
1	21379102	1	Sea water pump		
2	21379172	2	* Spring pin		
3	982363	1	* Plug		
4		1	* Housing		
5	21381690	1	* Repair kit	35801	
	21381693	1	* Impeller kit		
6		1	* • Impeller		
7		1	* • O-ring		
8	3862178	1	* • Grease		
9	809444	1	* Lock ring		
10	3583988	1	* Washer		
11	(21379134)	1	* Sealing ring		Obsolete part
12		1	* Shaft		
13	181800	2	* Ball bearing		
14	914451	1	* Snap ring		
15	(21379143)	1	* Spacer		Obsolete part
16		1	* Bearing housing		
17		3	* Hex. socket screw		
18	914523	1	* Snap ring		
19		1	* Pulley		



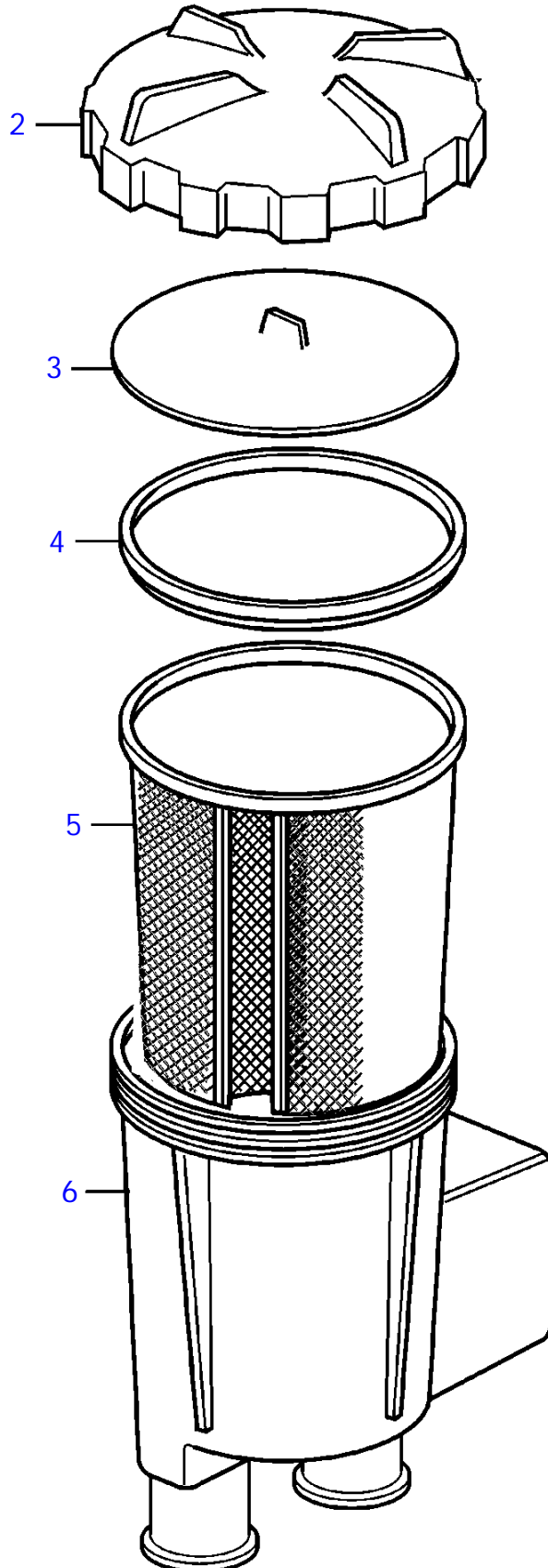
REF	PART NO.	QTY	DESCRIPTION
5	21381693	1	Impeller kit
6		1	* Impeller
7		1	* O-ring
8	3862178	1	* Grease



REF	PART NO.	QTY	DESCRIPTION	SEE SEC.	NOTES
5	21381690	2	Repair kit	35801	
6		2	* Impeller		
8	3862178	2	* Grease		
9	809444	2	Lock ring		
10	3583988	2	Washer		
11	(21379134)	2	Sealing ring		Obsolete part
12		2	Shaft		
17		2	Hex. socket screw		

D3-110I-D, D3-110I-E, D3-110I-F, D3-140I-E, D3-140I-F, D3-140I-F, D3-150I-D, D3-140A-D, D3-140A-E, D3-140A-E, D3-140A-F, D3-150I-E, D3-150I-F, D3-170I-D, D3-170I-E, D3-170I-F, D3-170A-D, D3-170A-E, D3-170A-F, D3-200I-D, D3-200I-E, D3-200I-F, D3-200A-D, D3-200A-E, D3-200A-F, D3-220I-D, D3-220I-E, D3-220I-F, D3-220A-D, D3-220A-E, D3-220A-F

1

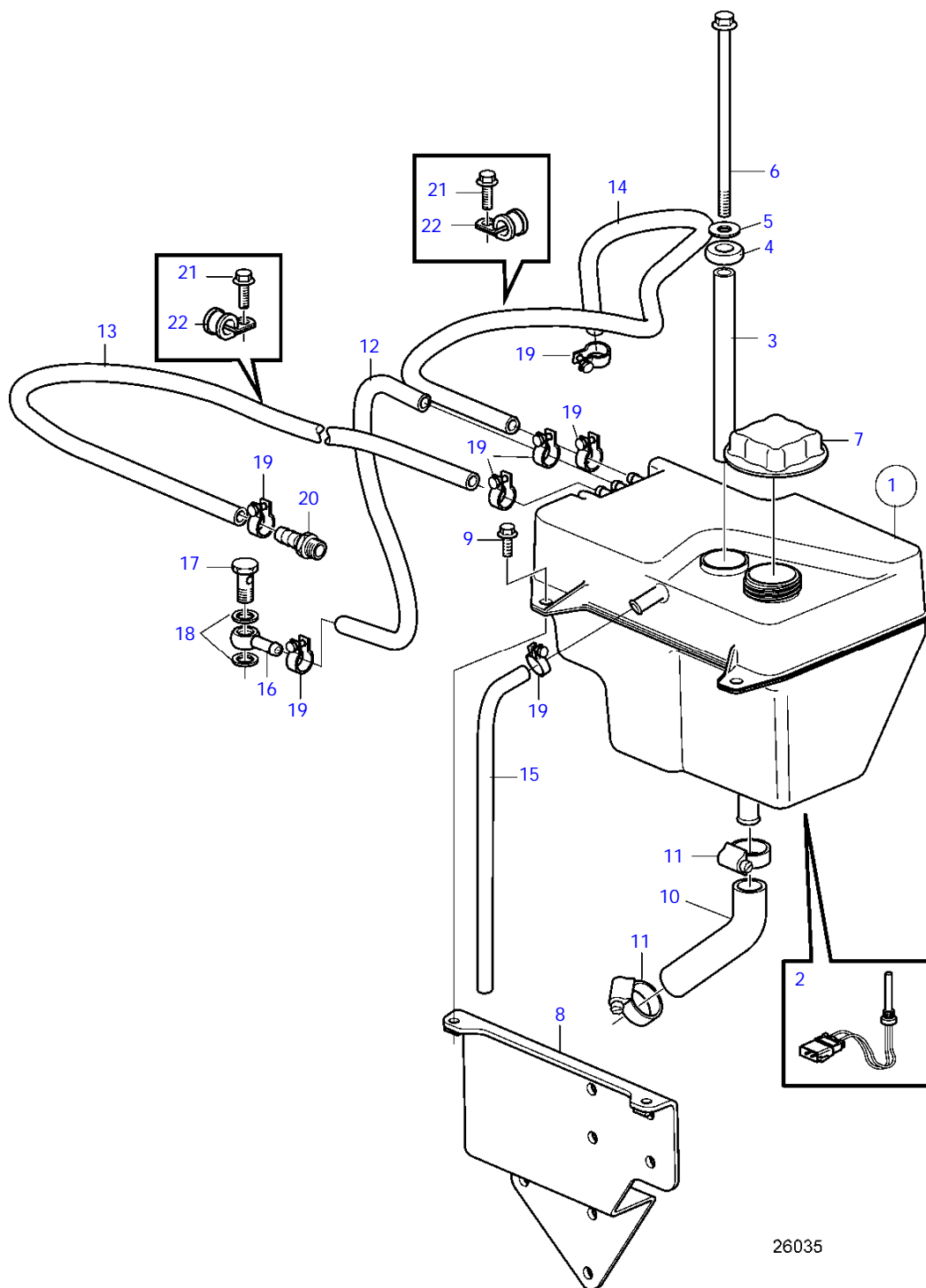


24786

D3-110I-D, D3-110I-E, D3-110I-F, D3-140I-E, D3-140I-F, D3-150I-D, D3-140A-D, D3-140-A-E, D3-140A-E, D3-140A-F, D3-150I-E, D3-150I-F, D3-170I-D, D3-170I-E, D3-170I-F, D3-170A-D, D3-170A-E, D3-170A-F, D3-200I-D, D3-200I-E, D3-200I-F, D3-200A-D, D3-200A-E, D3-200A-F, D3-220I-D, D3-220I-E, D3-220I-F, D3-220A-D, D3-220A-E, D3-220A-F

REF	PART NO.	QTY	DESCRIPTION
1	860631	1	Sea water filter
2	842722	1	* Cover
3	842982	1	* Pressure plate
4	842724	1	* Sealing
5	860687	1	* Strainer
6		1	* Strainer housing

D3-110I-D, D3-110I-E, D3-140I-E, D3-150I-D, D3-140A-D, D3-140A-E, D3-150I-E, D3-170I-D, D3-170I-E, D3-170A-D, D3-170A-E, D3-200I-D, D3-200I-E, D3-200A-D, D3-200A-E, D3-220I-D, D3-220I-E, D3-220A-D, D3-220A-E

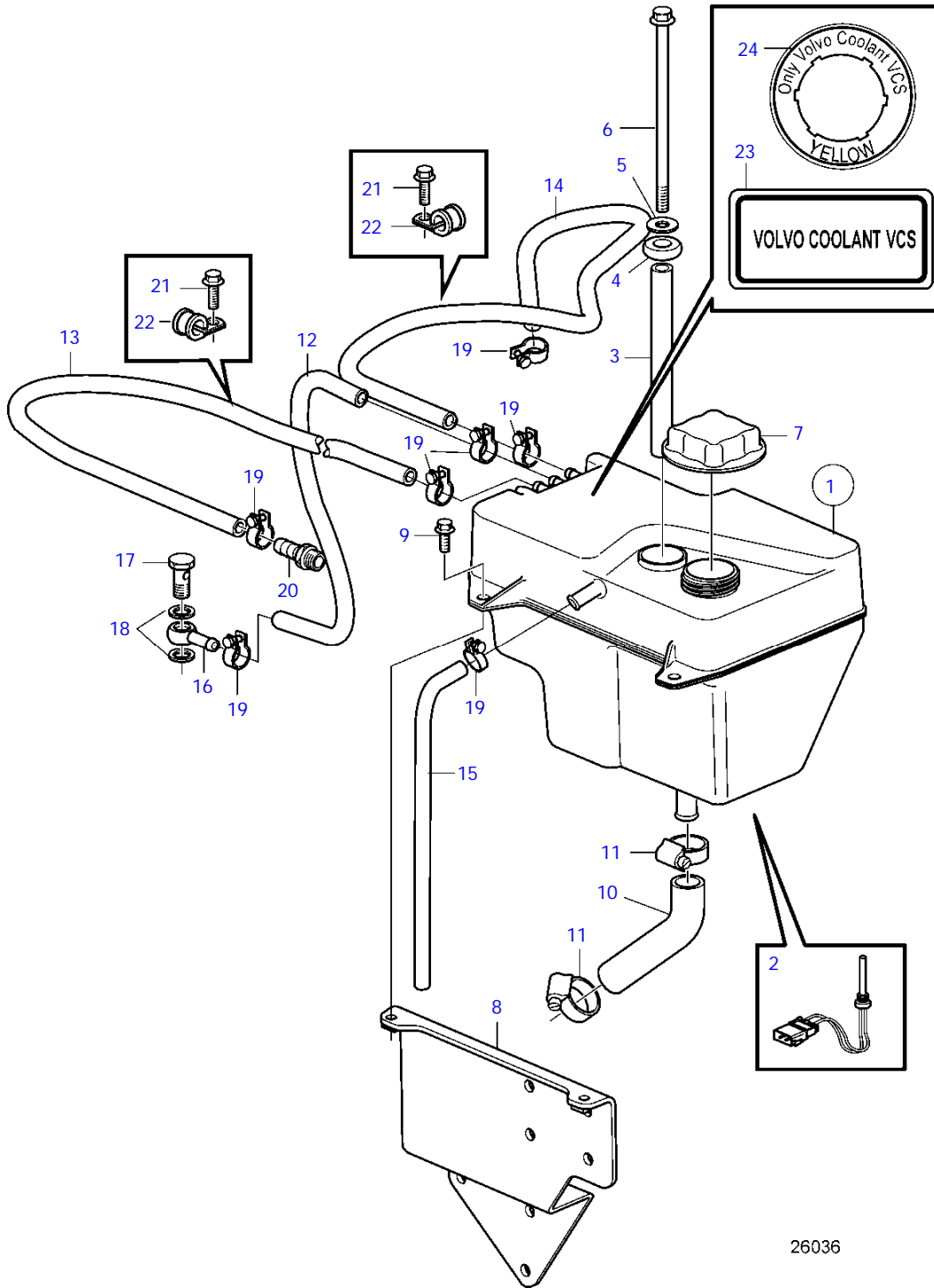


26035

D3-110I-D, D3-110I-E, D3-140I-E, D3-150I-D, D3-140A-D, D3-140-A-E, D3-150I-E, D3-170I-D, D3-170I-E, D3-170A-D, D3-170A-E, D3-200I-D, D3-200I-E, D3-200A-D, D3-200A-E, D3-220I-D, D3-220I-E, D3-220A-D, D3-220A-E

REF	PART NO.	QTY	DESCRIPTION	NOTES
1	21461610	1	Expansion tank	
2	3547710	1	* Level guard	
3	993301	1	Spacer sleeve	
4	3285120	1	Grommet	
5	976944	1	Washer	
6	968893	1	Flange screw	M8x150mm
7	1674083	1	Pressure cap	
8	21142689	1	Bracket	
9	946173	4	Flange screw	M8x20mm
10	21162074	1	Hose	Coolant hose.
11	943472	2	Hose clamp	
12	942700	X	Hose	L=250mm
13	942700	X	Hose	L=680mm
14	942700	X	Hose	L=680mm
15				
16	858750	1	Banjo nipple	
17	969299	1	Hollow screw	
18	11994	2	Gasket	
19	945652	6	Hose clamp	
20	21332988	1	Hose nipple	
21	946501	2	Flange screw	M6x12mm
22	952627	2	Clamp	

D3-110I-F, D3-140I-F, D3-140A-F, D3-150I-F, D3-170I-F, D3-170A-F, D3-200I-F, D3-200A-F, D3-220I-F, D3-220A-F

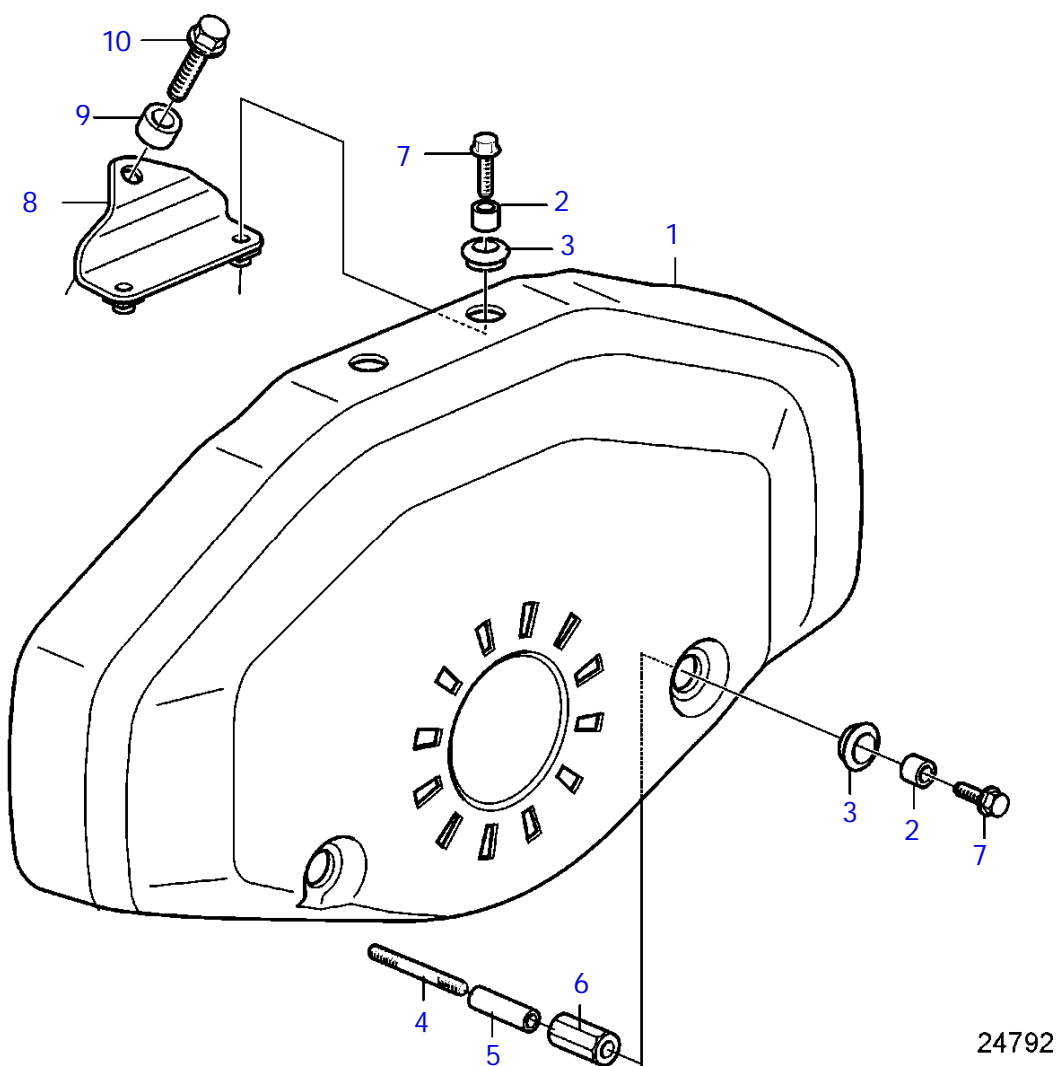


26036

D3-110I-F, D3-140I-F, D3-140A-F, D3-150I-F, D3-170I-F, D3-170A-F, D3-200I-F, D3-200A-F, D3-220I-F, D3-220A-F

REF	PART NO.	QTY	DESCRIPTION	NOTES
1	21461610	1	Expansion tank	
2	3547710	1	* Level guard	
3	993301	1	Spacer sleeve	
4	3285120	1	Grommet	
5	976944	1	Washer	
6	968893	1	Flange screw	M8x150mm
7	1674083	1	Pressure cap	
8	21142689	1	Bracket	
9	946173	4	Flange screw	M8x20mm
10	21162074	1	Hose	Coolant hose.
11	943472	2	Hose clamp	
12	942700	X	Hose	L=250mm
13	942700	X	Hose	L=680mm
14	942700	X	Hose	L=680mm
15				
16	858750	1	Banjo nipple	
17	969299	1	Hollow screw	
18	11994	2	Gasket	
19	945652	6	Hose clamp	
20	21332988	1	Hose nipple	
21	946501	2	Flange screw	M6x12mm
22	952627	2	Clamp	
23	20777630	1	Label	
24	21506995	1	Label	

D3-110I-D, D3-110I-E, D3-110I-F, D3-140I-E, D3-140I-F, D3-150I-D, D3-140A-D, D3-140A-E, D3-140A-F, D3-150I-E, D3-150I-F, D3-170I-D, D3-170I-E, D3-170I-F, D3-170A-D, D3-170A-E, D3-170A-F, D3-200I-D, D3-200I-E, D3-200I-F, D3-200A-D, D3-200A-E, D3-200A-F, D3-220I-D, D3-220I-E, D3-220I-F, D3-220A-D, D3-220A-E, D3-220A-F

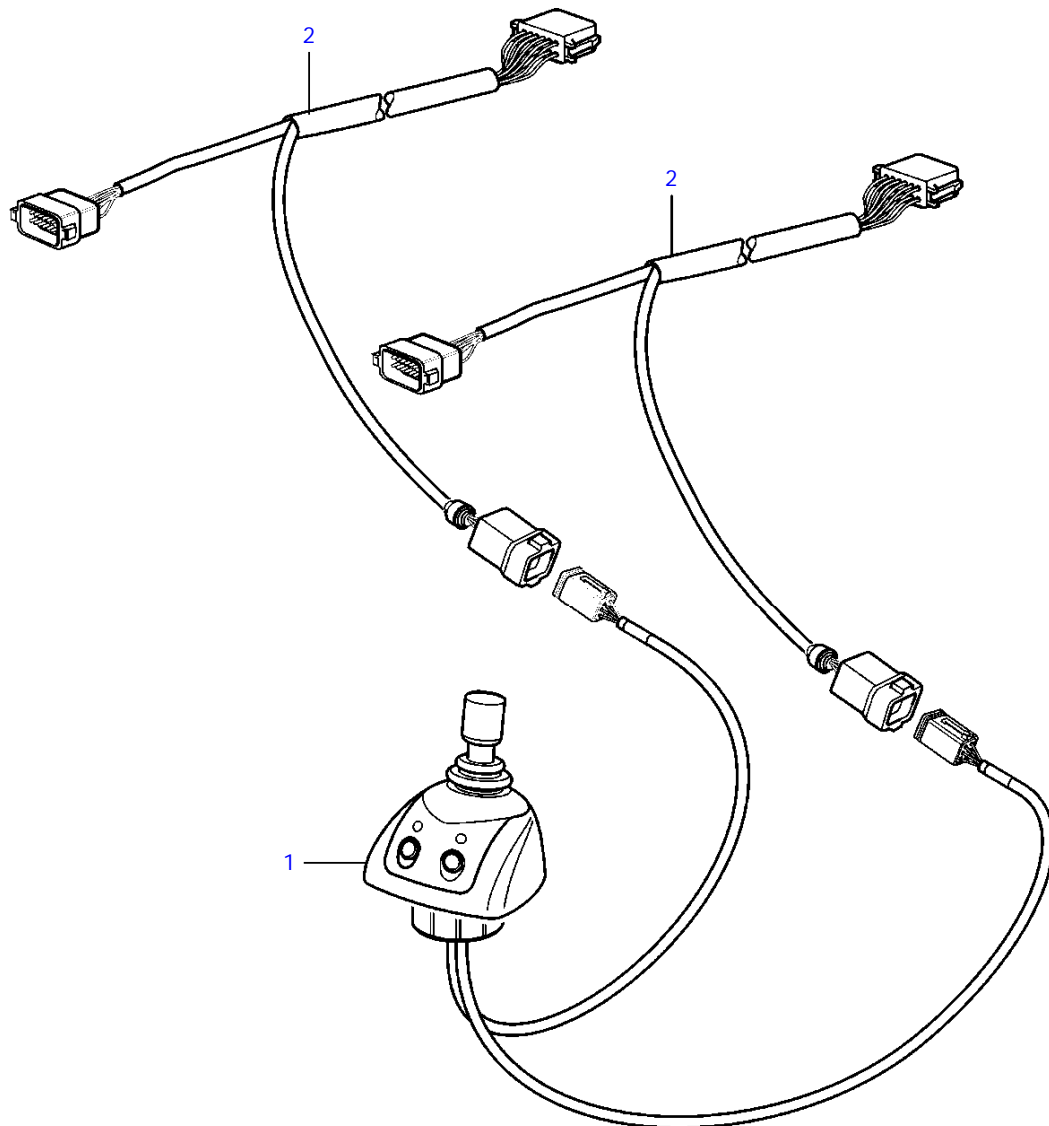


24792

D3-110I-D, D3-110I-E, D3-110I-F, D3-140I-E, D3-140I-F, D3-150I-D, D3-140A-D, D3-140A-E, D3-140A-F, D3-150I-E, D3-150I-F, D3-170I-D, D3-170I-E, D3-170I-F, D3-170A-D, D3-170A-E, D3-170A-F, D3-200I-D, D3-200I-E, D3-200I-F, D3-200A-D, D3-200A-E, D3-200A-F, D3-220I-D, D3-220I-E, D3-220I-F, D3-220A-D, D3-220A-E, D3-220A-F

REF	PART NO.	QTY	DESCRIPTION	NOTES
1	21330506	1	Belt protector	
2	40005089	4	* Spacer	
3	992404	4	* Grommet	
4	953060	2	Stud	
5	847690	2	Spacer sleeve	
6	21264221	2	Hexagon nut	
7	945444	4	Flange screw	M8x25mm
8	21330148	1	Bracket	
9	973528	1	Spacer sleeve	
10	965193	1	Flange screw	M12x50mm

D3-110I-D, D3-110I-E, D3-110I-F, D3-140I-E, D3-140I-F, D3-150I-D, D3-140A-D, D3-140A-E, D3-140A-F, D3-150I-E, D3-150I-F, D3-170I-D, D3-170I-E, D3-170I-F, D3-170A-D, D3-170A-E, D3-170A-F, D3-200I-D, D3-200I-E, D3-200I-F, D3-200A-D, D3-200A-E, D3-200A-F, D3-220I-D, D3-220I-E, D3-220I-F, D3-220A-D, D3-220A-E, D3-220A-F

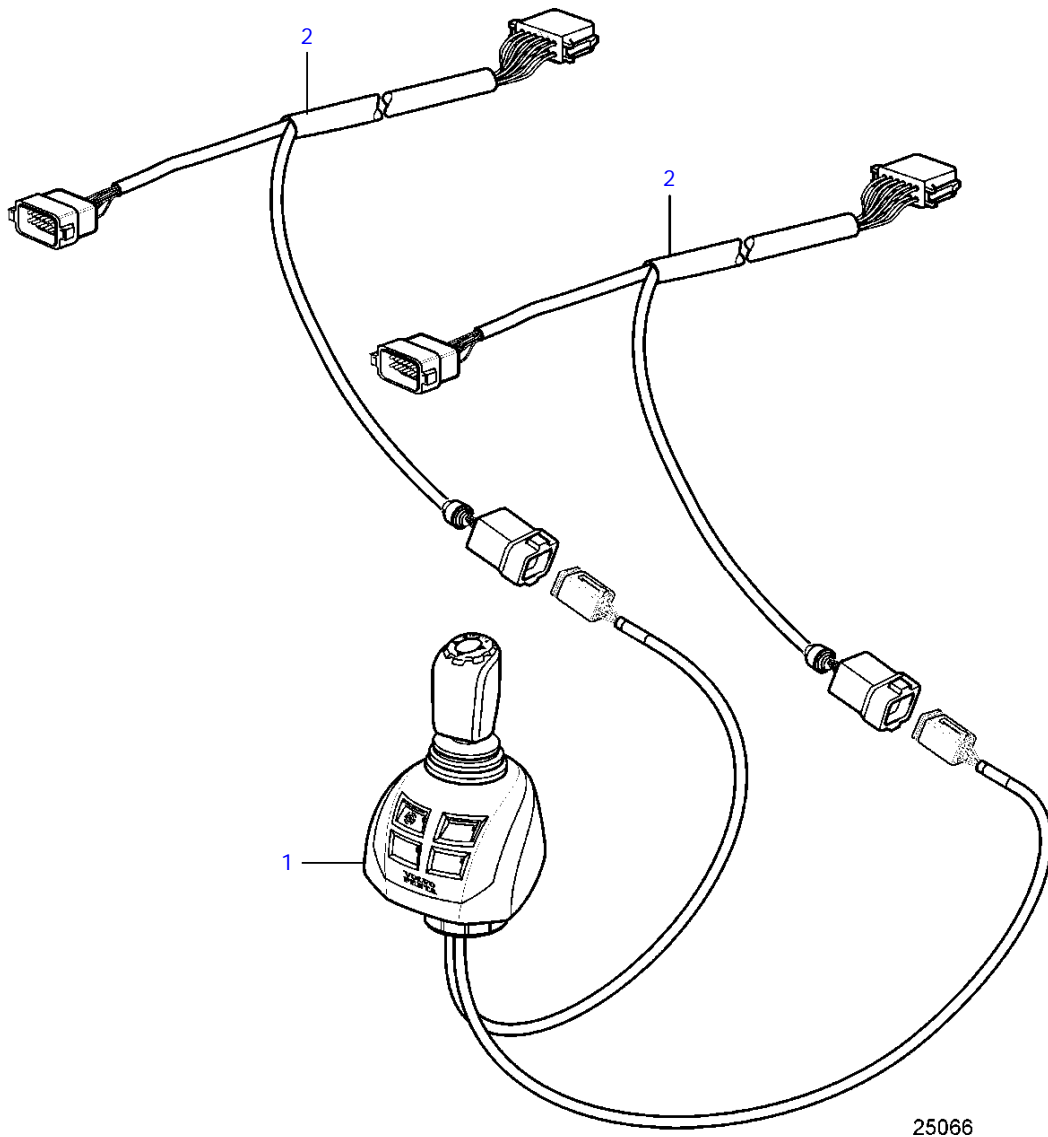


23508

D3-110I-D, D3-110I-E, D3-110I-F, D3-140I-E, D3-140I-F, D3-150I-D, D3-140A-D, D3-140A-E, D3-140A-F, D3-150I-E, D3-150I-F, D3-170I-D, D3-170I-E, D3-170I-F, D3-170A-D, D3-170A-E, D3-170A-F, D3-200I-D, D3-200I-E, D3-200I-F, D3-200A-D, D3-200A-E, D3-200A-F, D3-220I-D, D3-220I-E, D3-220I-F, D3-220A-D, D3-220A-E, D3-220A-F

REF	PART NO.	QTY	DESCRIPTION
1	3884795	1	Steering system
			* parts not sold separately
2	3885342	2	Wiring harness

D3-110I-E, D3-110I-F, D3-140I-E, D3-140I-F, D3-140-A-E, D3-140A-F, D3-150I-E, D3-150I-F, D3-170I-E, D3-170I-F, D3-170A-E, D3-170A-F, D3-200I-E, D3-200I-F, D3-200A-E, D3-200A-F, D3-220I-E, D3-220I-F, D3-220A-E, D3-220A-F

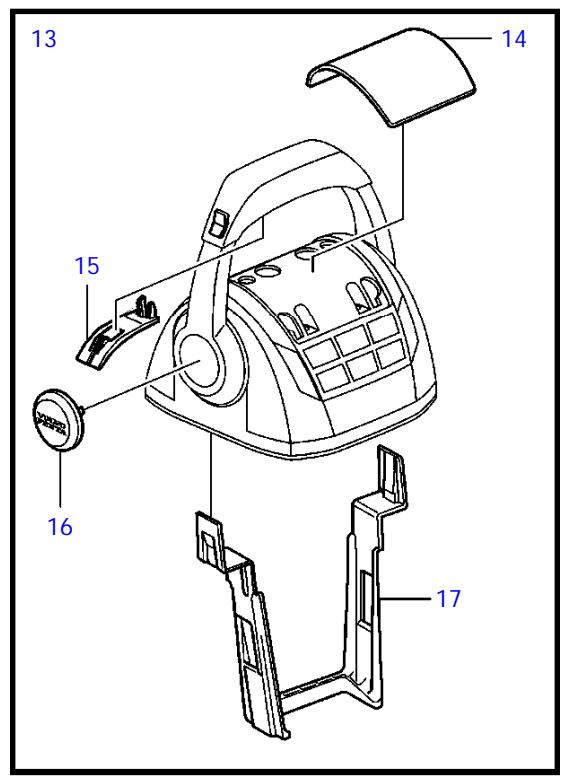
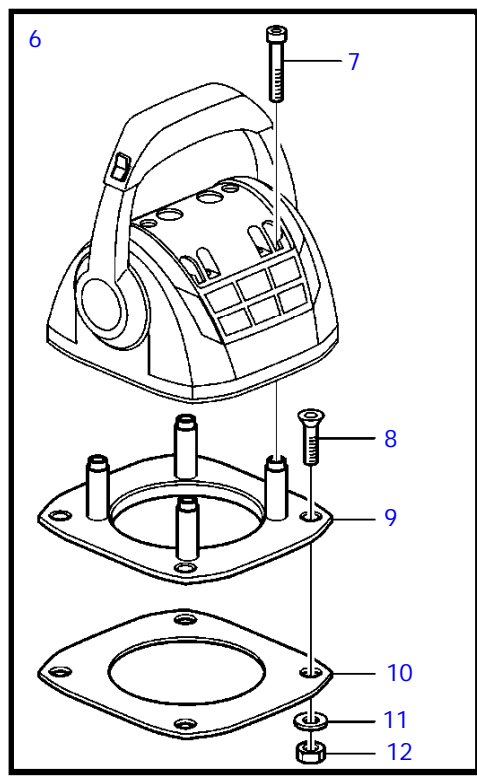
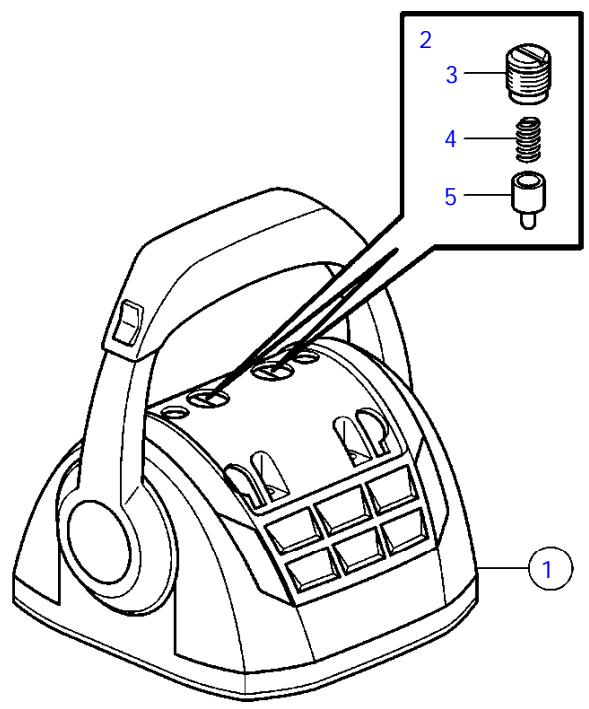


25066

D3-110I-E, D3-110I-F, D3-140I-E, D3-140I-F, D3-140-A-E, D3-140A-F, D3-150I-E, D3-150I-F, D3-170I-E, D3-170I-F, D3-170A-E, D3-170A-F, D3-200I-E, D3-200I-F, D3-200A-E, D3-200A-F, D3-220I-E, D3-220I-F, D3-220A-E, D3-220A-F

REF	PART NO.	QTY	DESCRIPTION
1	21469528	1	Steering system * parts not sold separately
2	3885342	2	Wiring harness

D3-140-A-E, D3-140A-F, D3-170A-E, D3-170A-F, D3-200A-E, D3-200A-F, D3-220A-E, D3-220A-F



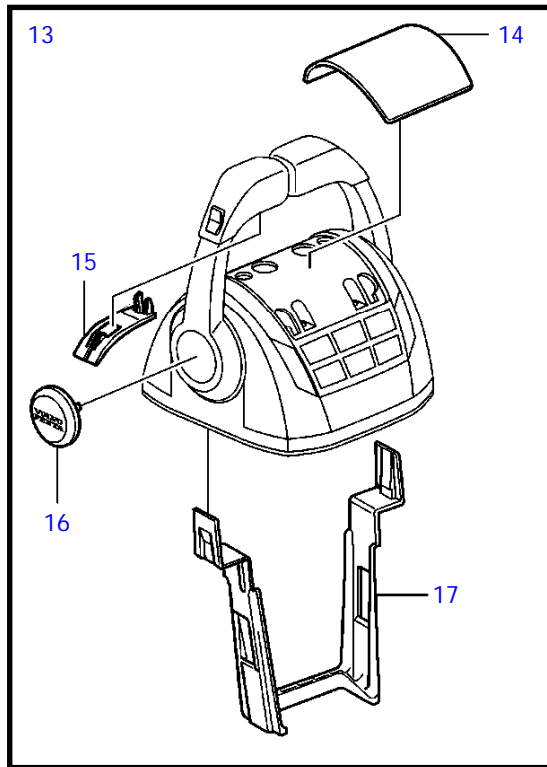
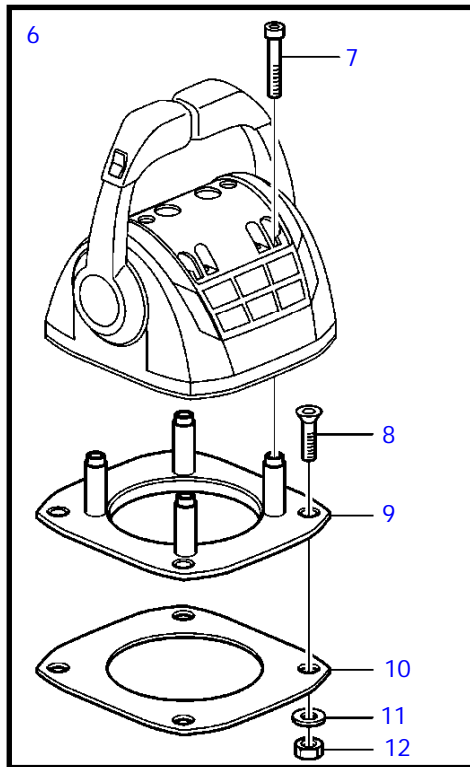
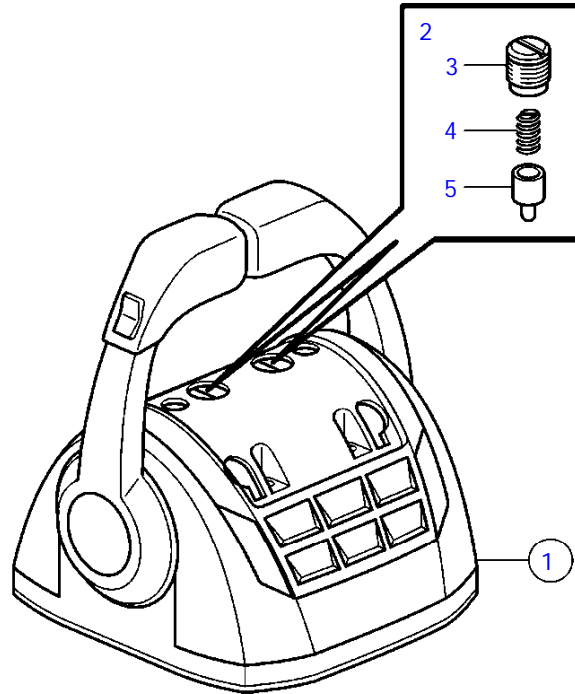
25283



D3-140-A-E, D3-140A-F, D3-170A-E, D3-170A-F, D3-200A-E, D3-200A-F, D3-220A-E, D3-220A-F

REF	PART NO.	QTY	DESCRIPTION	NOTES
1	21275308	1	Control lever	
	3586259	1	Software	Vodia-programming. This p/n can not be ordered, but will be used for invoicing.
	3586261	1	Software	Warehouse programming. This p/n can not be ordered, but will be used for invoicing.
2	21526920	1	* Spare parts kit, position sensor	
3		1	* * Tensioner	
4		1	* * Spring	
5		1	* * Pin	
6	21526948	1	* Kit, mounting bracket	
7	995042	4	* * Hex. socket screw	
8	994821	4	* * Hex. socket screw	
9	(21461704)	1	* * Bracket	Obsolete part
10		1	* * Gasket	
11	940275	4	* * Washer	
12	984456	4	* * Lock nut	
13	21527169	1	* Kit, plastic parts	
14	(21461681)	1	* * Cover	Obsolete part
15		2	* * Handle	
16		2	* * Hub cap	
17	21461675	1	Cable holder	

D3-140-A-E, D3-140A-F, D3-170A-E, D3-170A-F, D3-200A-E, D3-200A-F, D3-220A-E, D3-220A-F



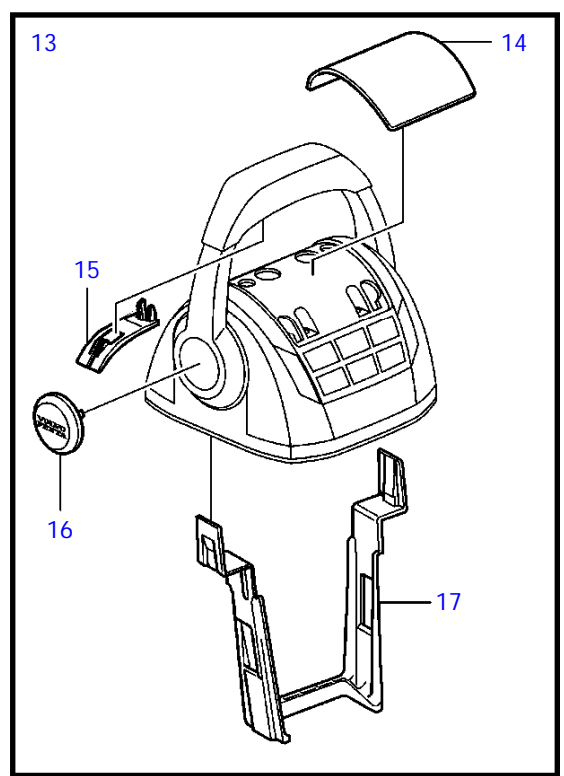
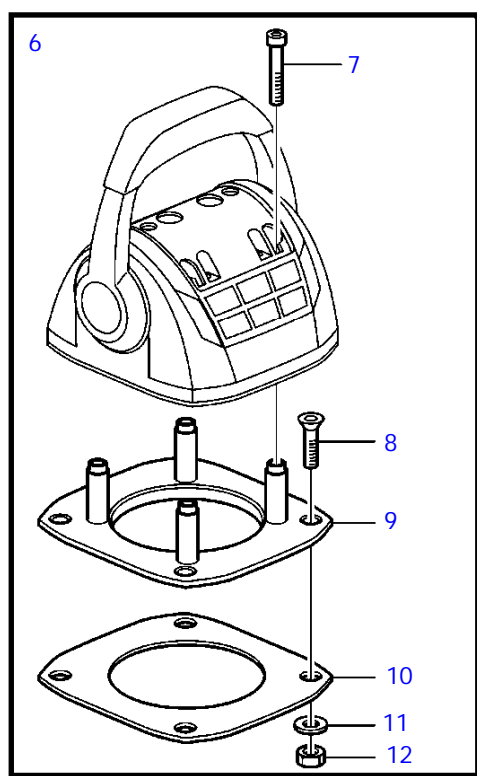
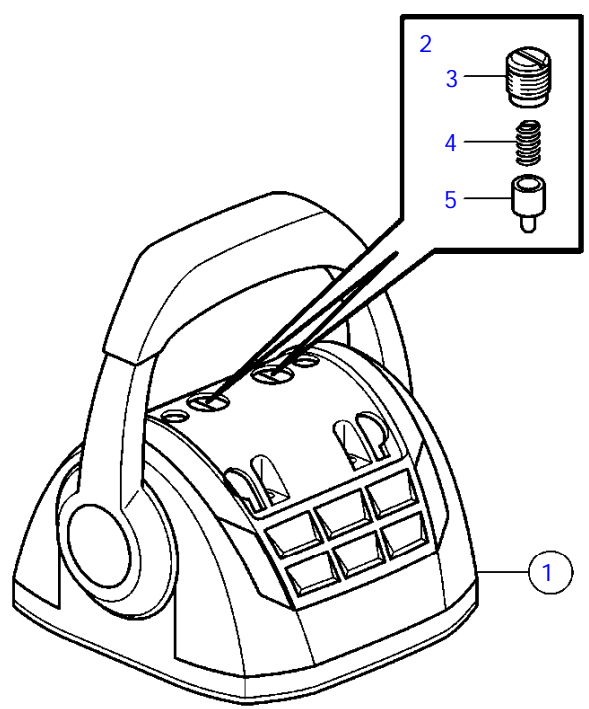
25284

D3-140-A-E, D3-140A-F, D3-170A-E, D3-170A-F, D3-200A-E, D3-200A-F, D3-220A-E, D3-220A-F

REF	PART NO.	QTY	DESCRIPTION	NOTES
1	21275311	1	Control lever	
	3586259	2	Software	Vodia-programming. This p/n can not be ordered, but will be used for invoicing.
	3586261	2	Software	Warehouse programming. This p/n can not be ordered, but will be used for invoicing.
2	21526920	1	* Spare parts kit, position sensor	
3		1	* * Tensioner	M14
4		1	* * Spring	
5		1	* * Pin	
6	21526948	1	* Kit, mounting bracket	
7	995042	4	* * Hex. socket screw	
8	994821	4	* * Hex. socket screw	
9	(21461704)	1	* * Bracket	Obsolete part
10		1	* * Gasket	
11	940275	4	* * Washer	
12	984456	4	* * Lock nut	
13	21527169	1	* Kit, plastic parts	
14	(21461681)	1	* * Cover	Obsolete part
15		2	* * Handle	
16		2	* * Hub cap	
17	21461675	1	Cable holder	

27 | **Electronic Speed Control without Trim Button, Inboard, EVC-D, Single Installation**

D3-110I-E, D3-110I-F, D3-140I-F, D3-150I-E, D3-150I-F, D3-170I-E, D3-170I-F, D3-200I-E, D3-200I-F, D3-220I-E, D3-220I-F



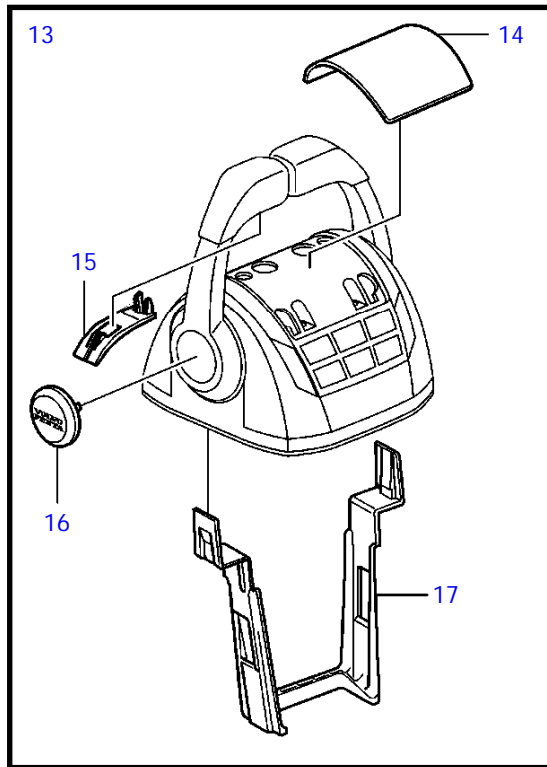
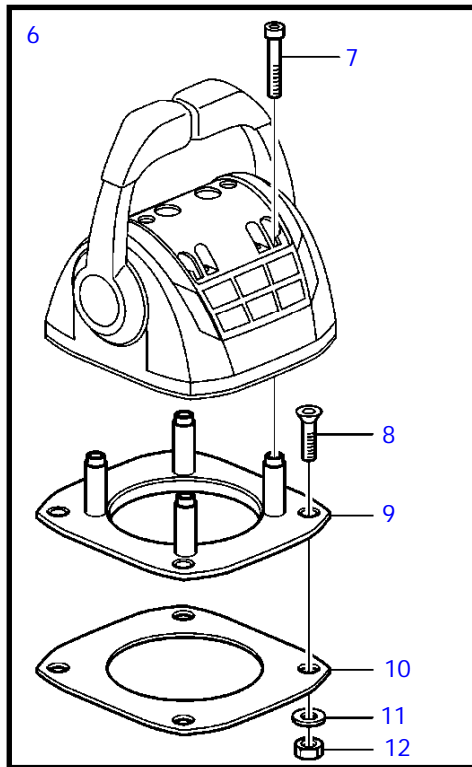
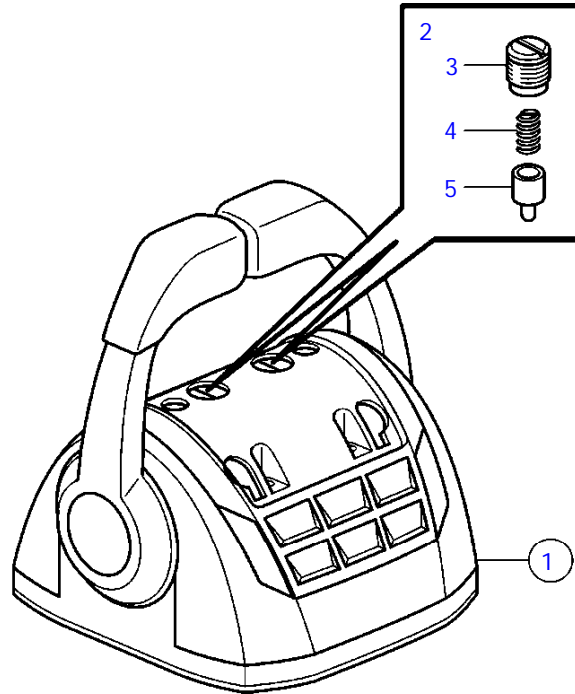
25269



D3-110I-E, D3-110I-F, D3-140I-F, D3-150I-E, D3-150I-F, D3-170I-E, D3-170I-F, D3-200I-E, D3-200I-F, D3-220I-E, D3-220I-F

REF	PART NO.	QTY	DESCRIPTION	NOTES
1	21275312	1	Control lever	
	3586259	1	Software	Vodia-programming. This p/n can not be ordered, but will be used for invoicing.
	3586261	1	Software	Warehouse programming. This p/n can not be ordered, but will be used for invoicing.
2	21526920	1	* Spare parts kit, position sensor	
3		1	* * Tensioner	M14
4		1	* * Spring	
5		1	* * Pin	
6	21526948	1	* Kit, mounting bracket	
7	995042	4	* * Hex. socket screw	
8	994821	4	* * Hex. socket screw	
9	(21461704)	1	* * Bracket	Obsolete part
10		1	* * Gasket	
11	940275	4	* * Washer	
12	984456	4	* * Lock nut	
13	21527169	1	* Kit, plastic parts	
14	(21461681)	1	* * Cover	Obsolete part
15		2	* * Handle	
16		2	* * Hub cap	
17	21461675	1	Cable holder	

D3-110I-E, D3-110I-F, D3-140I-F, D3-150I-E, D3-150I-F, D3-170I-E, D3-170I-F, D3-200I-E, D3-200I-F, D3-220I-E, D3-220I-F

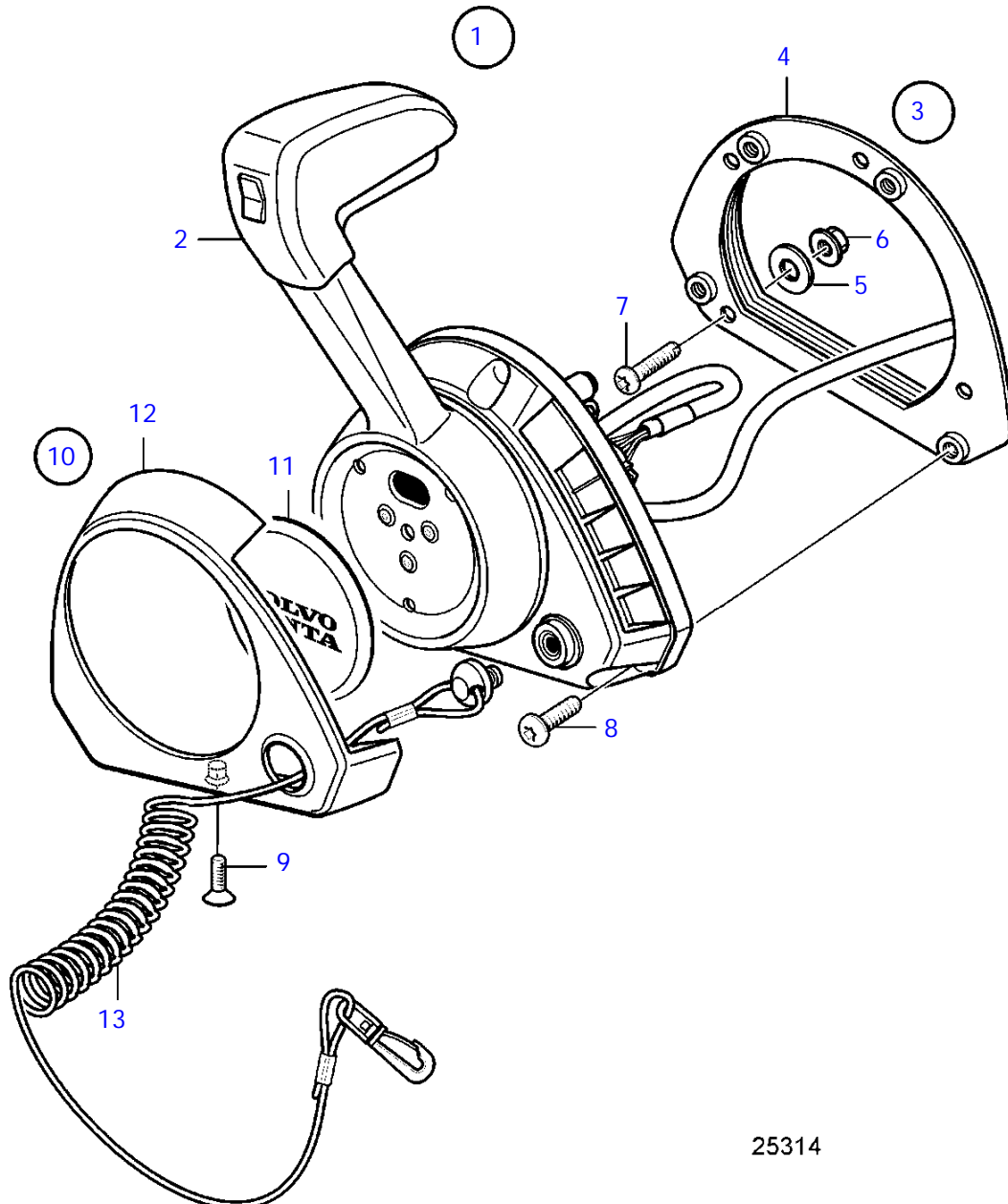


25270

D3-110I-E, D3-110I-F, D3-140I-F, D3-150I-E, D3-150I-F, D3-170I-E, D3-170I-F, D3-200I-E, D3-200I-F, D3-220I-E, D3-220I-F

REF	PART NO.	QTY	DESCRIPTION	NOTES
1	21275313	1	Control lever	
	3586259	2	Software	Vodia-programming. This p/n can not be ordered, but will be used for invoicing.
	3586261	2	Software	Warehouse programming. This p/n can not be ordered, but will be used for invoicing.
2	21526920	1	* Spare parts kit, position sensor	
3		1	* * Tensioner	M14
4		1	* * Spring	
5		1	* * Pin	
6	21526948	1	* Kit, mounting bracket	
7	995042	4	* * Hex. socket screw	
8	994821	4	* * Hex. socket screw	
9	(21461704)	1	* * Bracket	Obsolete part
10		1	* * Gasket	
11	940275	4	* * Washer	
12	984456	4	* * Lock nut	
13	21527169	1	* Kit, plastic parts	
14	(21461681)	1	* * Cover	Obsolete part
15		2	* * Handle	
16		2	* * Hub cap	
17	21461675	1	* * Cable holder	

D3-110I-D, D3-110I-E, D3-110I-F, D3-140I-E, D3-140I-F, D3-150I-D, D3-140A-D, D3-140A-E, D3-140A-F,
D3-150I-E, D3-150I-F, D3-170I-D, D3-170I-E, D3-170I-F, D3-170A-D, D3-170A-E, D3-170A-F, D3-200I-D, D3-200I-E, D3-200I-F,
D3-200A-D, D3-200A-E, D3-200A-F, D3-220I-D, D3-220I-E, D3-220I-F, D3-220A-D, D3-220A-E, D3-220A-F

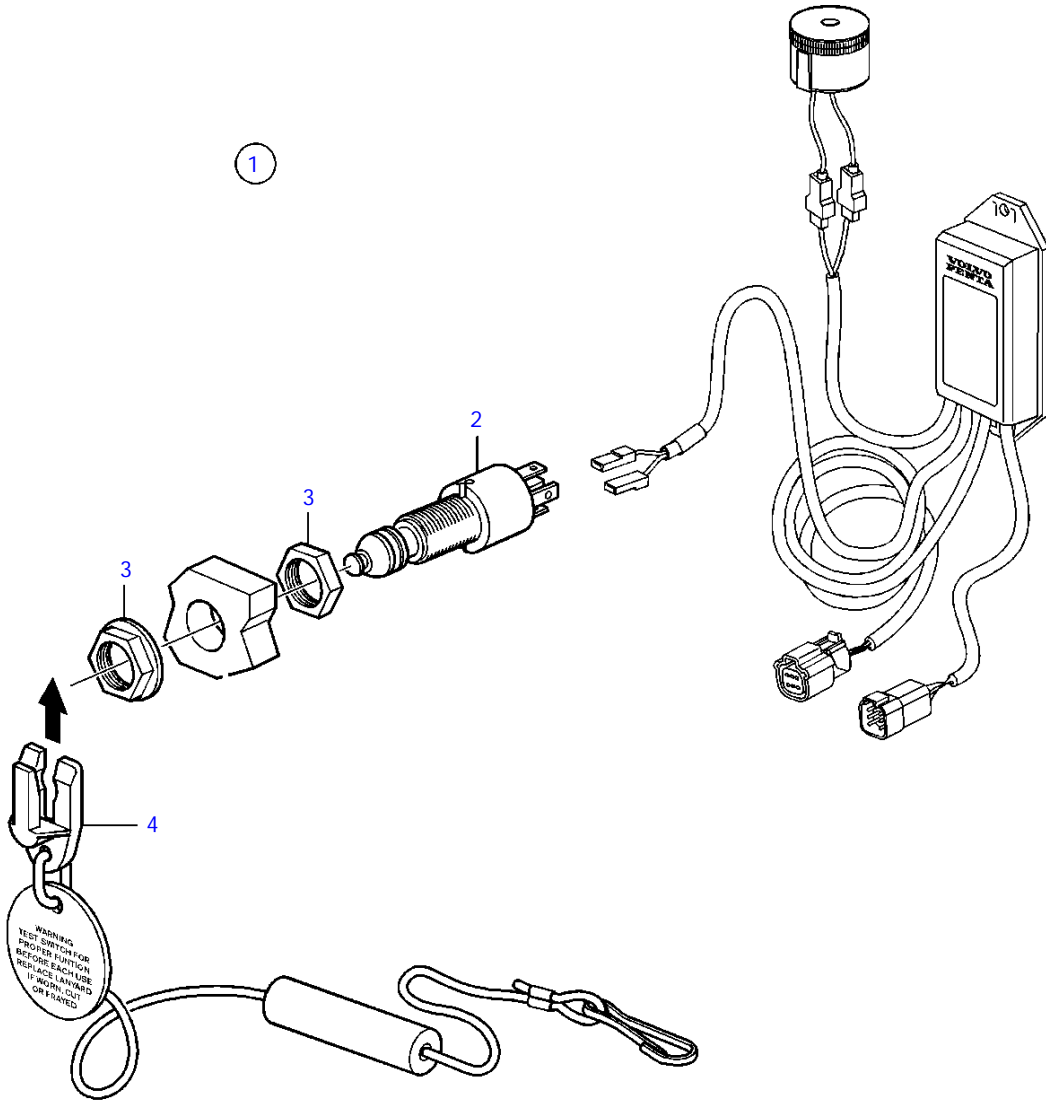


25314

D3-110I-D, D3-110I-E, D3-110I-F, D3-140I-E, D3-140I-F, D3-150I-D, D3-140A-D, D3-140A-E, D3-140A-F, D3-150I-E, D3-150I-F, D3-170I-D, D3-170I-E, D3-170I-F, D3-170A-D, D3-170A-E, D3-170A-F, D3-200I-D, D3-200I-E, D3-200I-F, D3-200A-D, D3-200A-E, D3-200A-F, D3-220I-D, D3-220I-E, D3-220I-F, D3-220A-D, D3-220A-E, D3-220A-F

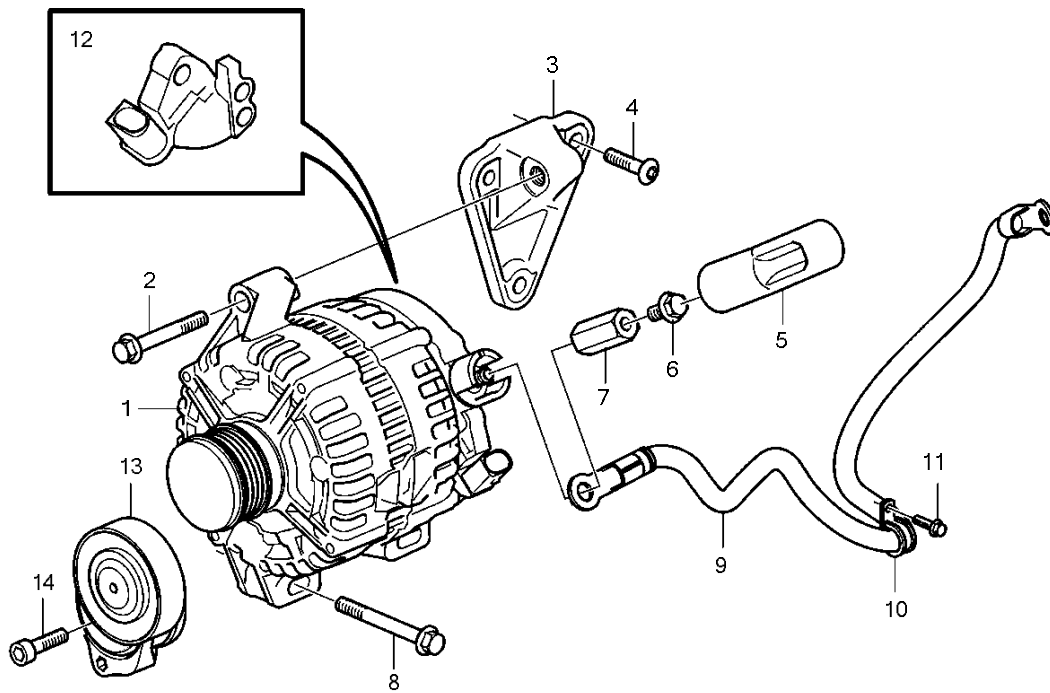
REF	PART NO.	QTY	DESCRIPTION	NOTES
1	21462015	1	Control lever	
	3586259	1	Software	Vodia-programming. This p/n can not be ordered, but will be used for invoicing.
	3586261	1	Software	Warehouse programming. This p/n can not be ordered, but will be used for invoicing.
2		1	* Control lever	
3	21461723	1	* Installation kit	
4	(21461725)	1	* • Bracket	Obsolete part
5	940191	4	* • Washer	
6	966170	4	* • Lock nut	
7	(994914)	4	* Hex. socket screw	Obsolete part
8	(995201)	4	* Hex. socket screw	Obsolete part
9	(969868)	1	* 6 point socket screw	Obsolete part
10	(21572761)	1	* Cover	Obsolete part
11			* • Cover	
12			* • Cover	
13	21552068	1	* Safety strap	

D3-110I-D, D3-110I-E, D3-110I-F, D3-140I-E, D3-140I-F, D3-150I-D, D3-140A-D, D3-140A-E, D3-140A-F, D3-150I-E, D3-150I-F, D3-170I-D, D3-170I-E, D3-170I-F, D3-170A-D, D3-170A-E, D3-170A-F, D3-200I-D, D3-200I-E, D3-200I-F, D3-200A-D, D3-200A-E, D3-200A-F, D3-220I-D, D3-220I-E, D3-220I-F, D3-220A-D, D3-220A-E, D3-220A-F



25203

D3-110I-D, D3-150I-D, D3-140A-D, D3-170I-D, D3-170A-D, D3-200I-D, D3-200A-D, D3-220I-D, D3-220A-D

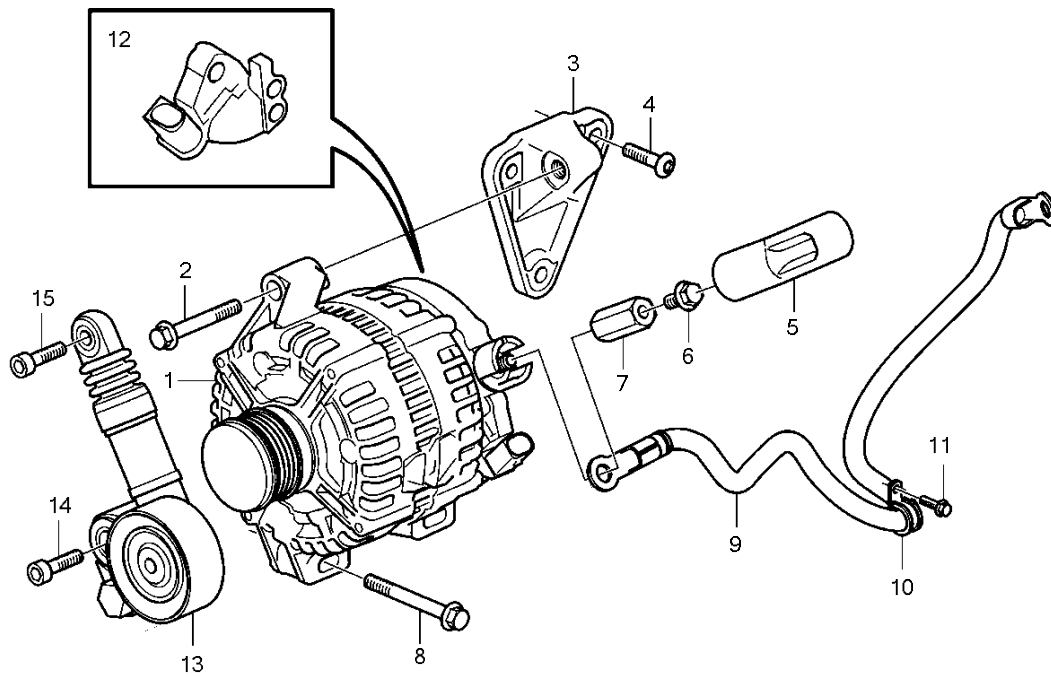


25003

D3-110I-D, D3-150I-D, D3-140A-D, D3-170I-D, D3-170A-D, D3-200I-D, D3-200A-D, D3-220I-D, D3-220A-D

REF	PART NO.	QTY	DESCRIPTION	NOTES
1	30667118	1	Alternator	
2	965180	1	Flange screw	M8x60mm
3	21141333	1	Bracket	
4	969601	3	6 point socket screw	M8x30mm
5	855798	1	Protecting sleeve	
6	947107	1	Flange screw	M18x12mm
7	855798	1	Protecting sleeve	
8	984651	2	Flange screw	
9	21398171	1	Cable	Alternator - starter motor
10	952626	1	Clamp	
11	945358	1	Flange screw	
12	30667900	1	Governor	
13	31258145	1	Belt tensioner	SN-2003019004
14	988144	1	6 point socket screw	

D3-110I-E, D3-110I-F, D3-140I-E, D3-140I-F, D3-140A-E, D3-140A-F, D3-150I-E, D3-150I-F, D3-170I-E, D3-170I-F, D3-170A-E, D3-170A-F, D3-200I-E, D3-200I-F, D3-200A-E, D3-200A-F, D3-220I-E, D3-220I-F, D3-220A-E, D3-220A-F



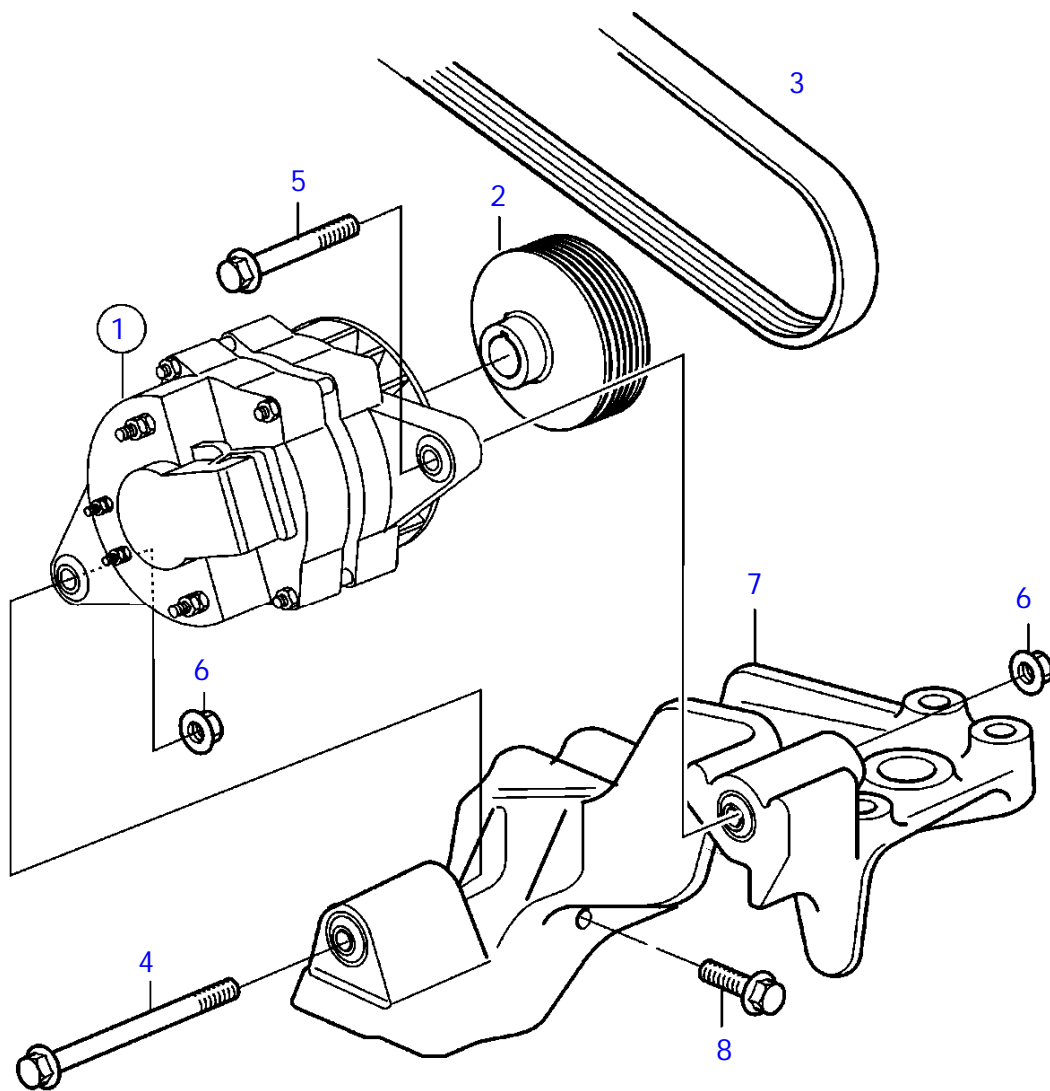
25957

D3-110I-E, D3-110I-F, D3-140I-E, D3-140I-F, D3-140A-E, D3-140A-F, D3-150I-E, D3-150I-F, D3-170I-E, D3-170I-F, D3-170A-E, D3-170A-F, D3-200I-E, D3-200I-F, D3-200A-E, D3-200A-F, D3-220I-E, D3-220I-F, D3-220A-E, D3-220A-F

REF	PART NO.	QTY	DESCRIPTION	NOTES
1	30667118	1	Alternator	
2	965180	1	Flange screw	M8x60mm
3	21141333	1	Bracket	
4	969601	3	6 point socket screw	M8x30mm
5	855798	1	Protecting sleeve	
6	947107	1	Flange screw	M18x12mm
7	855798	1	Protecting sleeve	
8	984651	2	Flange screw	
9	21398171	1	Cable	Alternator - starter motor
10	952626	1	Clamp	
11	945358	1	Flange screw	
12	30667900	1	Governor	
13	31316674	1	Belt tensioner	SN2003019005-
14	30624253	1	6 point socket screw	
15	30624245	1	6 point socket screw	



D3-110I-D, D3-110I-E, D3-110I-F, D3-140I-E, D3-140I-F, D3-150I-D, D3-140A-D, D3-140A-E, D3-140A-F, D3-150I-E, D3-150I-F, D3-170I-D, D3-170I-E, D3-170I-F, D3-170A-D, D3-170A-E, D3-170A-F, D3-200I-D, D3-200I-E, D3-200I-F, D3-200A-D, D3-200A-E, D3-200A-F, D3-220I-D, D3-220I-E, D3-220I-F, D3-220A-D, D3-220A-E, D3-220A-F

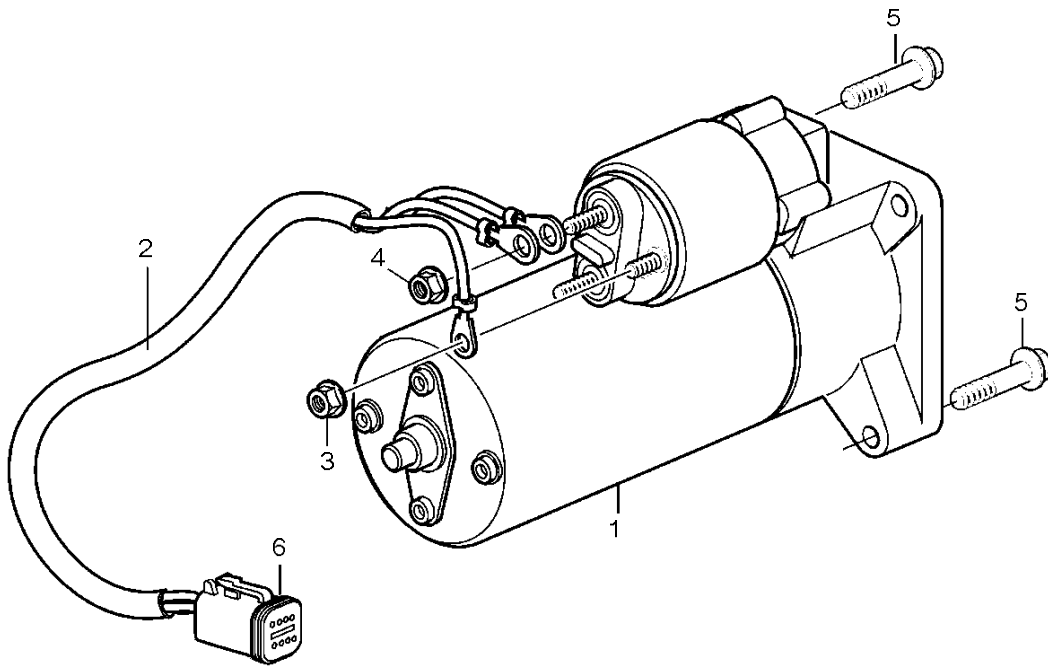


24923

D3-110I-D, D3-110I-E, D3-110I-F, D3-140I-E, D3-140I-F, D3-150I-D, D3-140A-D, D3-140-A-E, D3-140A-E, D3-140A-F, D3-150I-E, D3-150I-F, D3-170I-D, D3-170I-E, D3-170I-F, D3-170A-D, D3-170A-E, D3-170A-F, D3-200I-D, D3-200I-E, D3-200I-F, D3-200A-D, D3-200A-E, D3-200A-F, D3-220I-D, D3-220I-E, D3-220I-F, D3-220A-D, D3-220A-E, D3-220A-F

REF	PART NO.	QTY	DESCRIPTION	NOTES
1	(21379294)	1	Kit	Obsolete part
2	21348063	1	* Pulley	
3	21141198	1	* V-ribbed belt	
4	978447	1	* Flange screw	M12x150mm
5	946474	1	* Flange screw	M12x120mm
6	971096	2	* Flange nut	
7	21337445	1	Engine bracket	Left
8	984652	3	Flange screw	M8x90mm

D3-110I-D, D3-110I-E, D3-110I-F, D3-140I-E, D3-140I-F, D3-150I-D, D3-140A-D, D3-140A-E, D3-140A-F, D3-150I-E, D3-150I-F, D3-170I-D, D3-170I-E, D3-170I-F, D3-170A-D, D3-170A-E, D3-170A-F, D3-200I-D, D3-200I-E, D3-200I-F, D3-200A-D, D3-200A-E, D3-200A-F, D3-220I-D, D3-220I-E, D3-220I-F, D3-220A-D, D3-220A-E, D3-220A-F

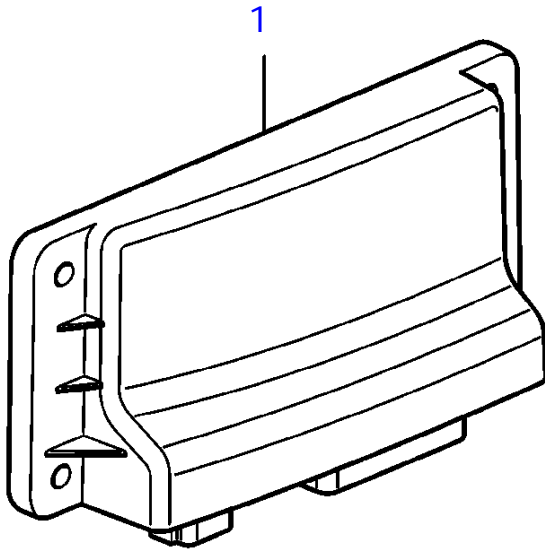


24821

D3-110I-D, D3-110I-E, D3-110I-F, D3-140I-E, D3-140I-F, D3-150I-D, D3-140A-D, D3-140-A-E, D3-140A-E, D3-140A-F, D3-150I-E, D3-150I-F, D3-170I-D, D3-170I-E, D3-170I-F, D3-170A-D, D3-170A-E, D3-170A-F, D3-200I-D, D3-200I-E, D3-200I-F, D3-200A-D, D3-200A-E, D3-200A-F, D3-220I-D, D3-220I-E, D3-220I-F, D3-220A-D, D3-220A-E, D3-220A-F

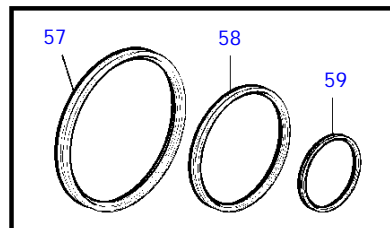
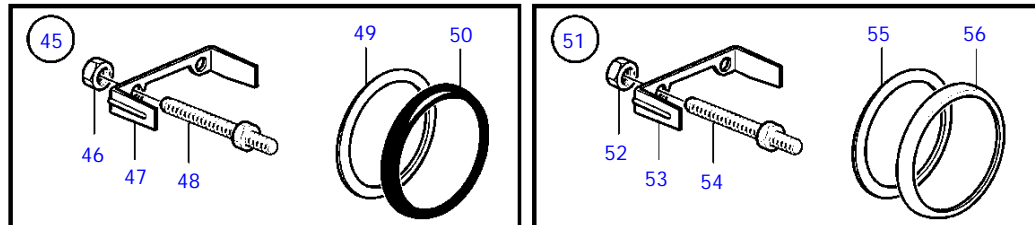
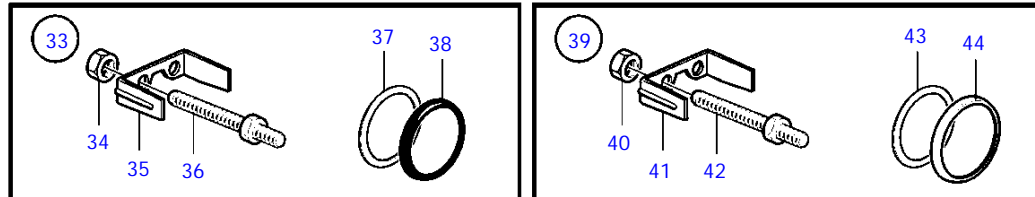
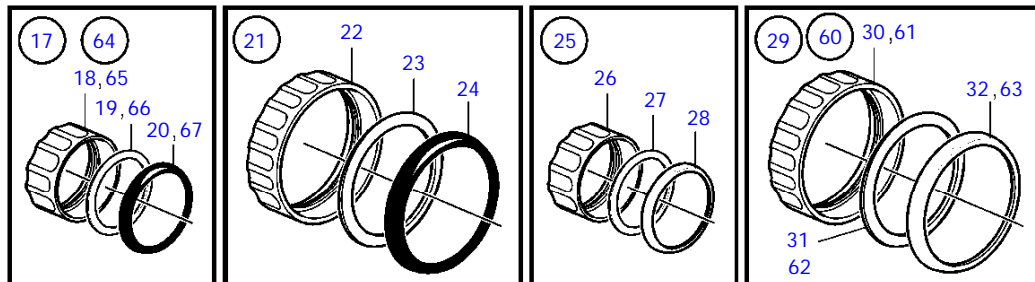
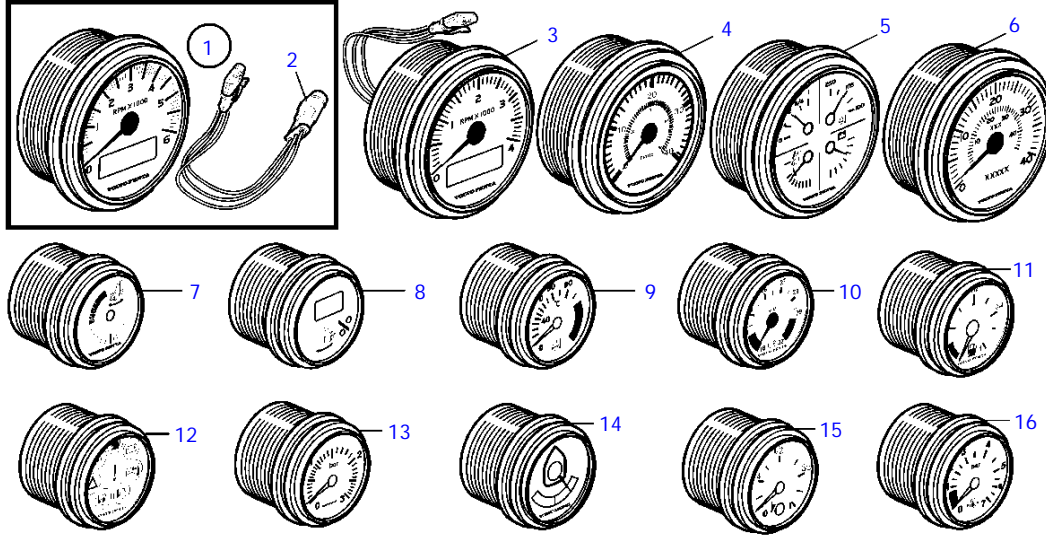
REF	PART NO.	QTY	DESCRIPTION	NOTES
1	30782228	1	Starter	
2	21319579	1	Cable kit	
3	983714	1	Hexagon nut	
4	983715	1	Hexagon nut	
5	965186	2	Flange screw	M10x50mm
6	874959	1	Housing	

D3-110I-E, D3-110I-F, D3-140I-E, D3-140I-F, D3-140-A-E, D3-140A-F, D3-150I-E, D3-150I-F, D3-170I-E, D3-170I-F,
D3-170A-E, D3-170A-F, D3-200A-E, D3-200A-F, D3-220I-E, D3-220I-F, D3-220A-E, D3-220A-F



25275

D3-110I-D, D3-110I-E, D3-110I-F, D3-140I-E, D3-140I-F, D3-150I-D, D3-140A-D, D3-140A-E, D3-140A-F, D3-150I-E, D3-150I-F, D3-170I-D, D3-170I-E, D3-170I-F, D3-170A-D, D3-170A-E, D3-170A-F, D3-200I-D, D3-200I-E, D3-200I-F, D3-200A-D, D3-200A-E, D3-200A-F, D3-220I-D, D3-220I-E, D3-220I-F, D3-220A-D, D3-220A-E, D3-220A-F



24903

D3-110I-D, D3-110I-E, D3-110I-F, D3-140I-E, D3-140I-F, D3-150I-D, D3-140A-D, D3-140-A-E, D3-140A-E, D3-140A-F, D3-150I-E, D3-150I-F, D3-170I-D, D3-170I-E, D3-170I-F, D3-170A-D, D3-170A-E, D3-170A-F, D3-200I-D, D3-200I-E, D3-200I-F, D3-200A-D, D3-200A-E, D3-200A-F, D3-220I-D, D3-220I-E, D3-220I-F, D3-220A-D, D3-220A-E, D3-220A-F

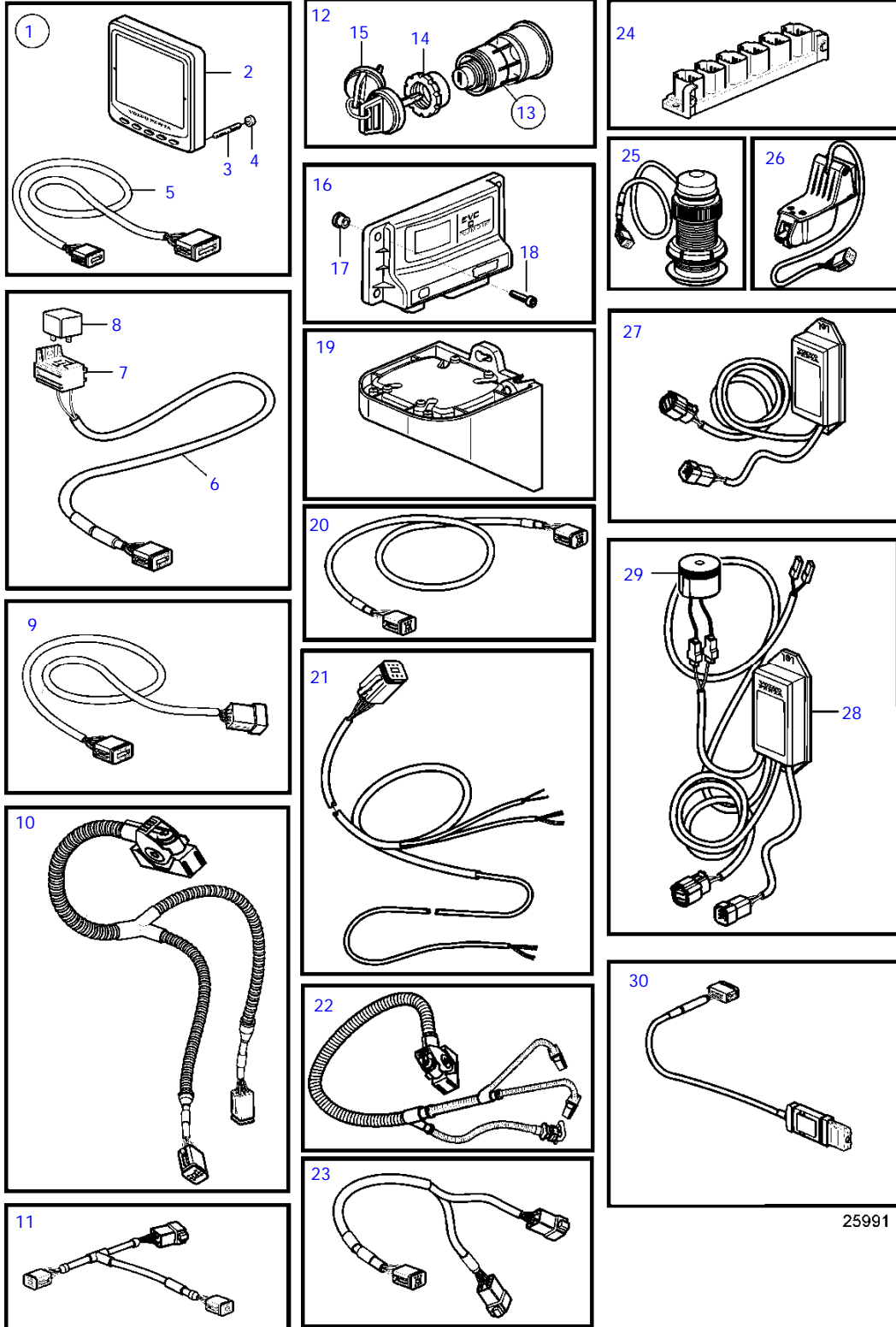
REF	PART NO.	QTY	DESCRIPTION	SEE SEC.	NOTES
1	21509650	1	Tachometer kit		Black
	21509649	1	Tachometer kit		White
	21234541	1	Tachometer		Black, D=85mm, Only for main helm station, Cable not included
	21234537	1	Tachometer		White, D=85mm, Only for main helm station, Cable included
	21234544	1	Tachometer kit		White, D=110mm, Only for main helm station, Cable included
	21234545	1	Tachometer kit		Black, D=110mm, Only for main helm station, Cable not included
2	3884843	1	* Wiring harness		
3	21234543	1	Tachometer kit		Black, 4000rpm, D=110mm, Cable included
	21234542	1	Tachometer kit		White, 4000rpm, D=110mm, Cable included
4	21234531	1	Speedometer		Unit neutral, Black D=110mm, 0-40
	21234532	1	Speedometer		Unit neutral, White, D=110mm, 0-40
	21234533	1	Speedometer		Unit neutral, Black D=110mm, 0-60
	21234534	1	Speedometer		Unit neutral, White, D=110mm, 0-60
5	3847876	1	Instrument		Black, Four in one gauge (oil pressure, coolant temp, fuel level, volt meter), D=110mm
			* Bulletin P-36-9-3	P-36-9-3-EN	New products in the EVC family
5	3885214	1	Instrument		White, Four in one gauge (oil pressure, coolant temp, fuel level, volt meter)
			* Bulletin P-36-9-3	P-36-9-3-EN	New products in the EVC family
6	21234525	1	Speedometer		Black, 0-45 mph
	21234528	1	Speedometer		White, 0-45 mph
	21234529	1	Speedometer		Black, 0-70 mph
	21234530	1	Speedometer		White, 0-70 mph
7	3812881	1	Instrument		Black analog
	3812911	1	Instrument		White analog
8	881648	1	Trimmer		Black digital
	881654	1	Trimmer		White digital
9	874904	1	Thermometer, coolant water		Black 0-120°C
	874921	1	Thermometer, coolant water		White 0-120°C
	874918	1	Thermometer, coolant water		Black 40-250 °F
	874931	1	Thermometer, coolant water		White 40-250 °F
10	881649	1	Voltmeter		Black, 12V
	881658	1	Voltmeter		White, 12V
11	874914	1	Fuel gauge		Black D=52mm
	874926	1	Fuel gauge		White D=52mm
12	874915	1	Instrument, alarm		Black D=52mm
	874927	1	Instrument, alarm		White D=52mm
13	874910	1	Turbo pressure gauge		Black 0-3 bar
	874924	1	Turbo pressure gauge		White 0-3 bar
	874920	1	Turbo pressure gauge		Black 0-45 psi
	874933	1	Turbo pressure gauge		White 0-45 psi
14	3812914	1	Rudder indicator		Black
	3812917	1	Rudder indicator		White
15	3809992	1	Water level gauge		Black, Water level gauge
	3809993	1	Water level gauge		White, Water level gauge
16	874908	1	Oil pressure gauge, engine		Black 0-7 bar
	874923	1	Oil pressure gauge, engine		White 0-7 bar
	874919	1	Oil pressure gauge, engine		Black 0-100 psi
	874932	1	Oil pressure gauge, engine		White 0-100 psi
17	874709	1	Mounting kit		
18	874450	1	* Attaching ring		
19	874707	1	* Gasket		
20	874448	1	* Ring		
21	874708	1	Mounting kit		
22	874449	1	* Attaching ring		
23	874706	1	* Gasket		
24	874447	1	* Ring		
25	874733	1	Mounting kit		
26	874450	1	* Attaching ring		
27	874707	1	* Gasket		
28	874731	1	* Ring		
29	874732	1	Mounting kit		
30	874449	1	* Attaching ring		
31	874706	1	* Gasket		
32	874730	1	* Ring		
33	881611	1	Brace kit		Black D=52mm
34	881610	2	* Nut		
35	881607	1	* Brace		
36	881609	2	* Stud		
37	874707	1	* Gasket		
38	874448	1	* Ring		
39	881613	1	Brace kit		Chrome D=52mm
40	881610	2	* Nut		
41	881607	1	* Brace		
42	881610	2	* Nut		
43	874707	1	* Gasket		
44	874731	1	* Ring		
45	881612	1	Brace kit		Black D=85mm
46	881610	2	* Nut		
47	881608	1	* Brace		
48	881609	2	* Stud		
49	874706	1	* Gasket		
50	874447	1	* Ring		
51	881614	1	Brace kit		Chrome D=85mm
52	881610	2	* Nut		
53	881608	1	* Brace		
54	881609	2	* Stud		
55	874706	1	* Gasket		
56	874730	1	* Ring		
57	3886791	1	X-ring		For flush mounting., D=110mm

D3-110I-D, D3-110I-E, D3-110I-F, D3-140I-E, D3-140I-F, D3-150I-D, D3-140A-D, D3-140-A-E, D3-140A-E, D3-140A-F, D3-150I-E, D3-150I-F, D3-170I-D, D3-170I-E, D3-170I-F, D3-170A-D, D3-170A-E, D3-170A-F, D3-200I-D, D3-200I-E, D3-200I-F, D3-200A-D, D3-200A-E, D3-200A-F, D3-220I-D, D3-220I-E, D3-220I-F, D3-220A-D, D3-220A-E, D3-220A-F

REF	PART NO.	QTY	DESCRIPTION	SEE SEC.	NOTES
			* Bulletin P-36-9-3	P-36-9-3-EN	New products in the EVC family
58	874843	1	X-ring		For flush mounting., D=85mm
59	874844	1	X-ring		For flush mounting., D=52mm
60	3885216	1	Mounting kit		Chrome D=110mm
			* Bulletin P-36-9-3	P-36-9-3-EN	New products in the EVC family
61	3884098	1	* Attaching ring		
62	3884103	1	* Gasket		
63	3884096	1	* Ring		
64	3847888	1	Mounting kit		Black D=110mm
			* Bulletin P-36-9-3	P-36-9-3-EN	New products in the EVC family
65	3847887	1	* Ring		
66	3884103	1	* Gasket		
67	3884098	1	* Attaching ring		



D3-110I-E, D3-140-A-E, D3-150I-E, D3-170I-F, D3-170A-E, D3-170A-F, D3-200I-F, D3-200A-E, D3-200A-F, D3-220I-E, D3-220I-F, D3-220A-E, D3-220A-F

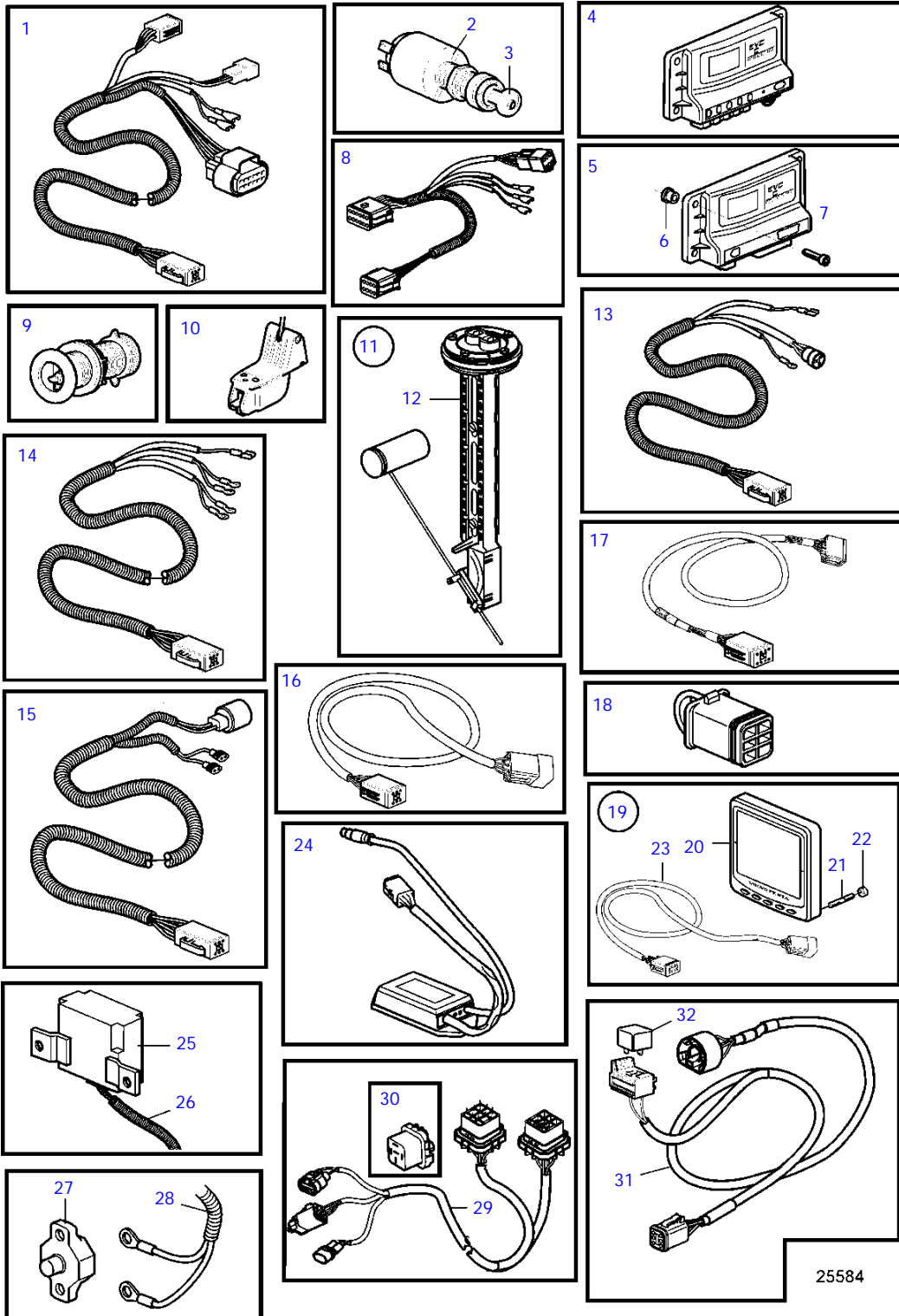


25991

D3-110I-E, D3-140-A-E, D3-150I-E, D3-170I-F, D3-170A-E, D3-170A-F, D3-200I-F, D3-200A-E, D3-200A-F, D3-220I-E, D3-220I-F, D3-220A-E, D3-220A-F

REF	PART NO.	QTY	DESCRIPTION	SEE SEC.	NOTES
1	21352262	1	Display		Replaced by 21631438
	21631438	1	Kit		
2		1	* Display		
3	830928	4	* Stud		
4	830930	4	* Nut		
5	3588207	1	* Cable kit		
6	21427463	1	Cable		Relay cable. 6-pin. L=1,5m
7	977184	1	Housing		
8	873765	1	Relay		12V
	3171420	1	Relay		24V
9	3889410	1	Extension cable'verl		L=1.5m, DPH-B
	3842733	1	Extension cable'verl		L=3.0m
	3842734	1	Extension cable'verl		L=5.0m
	3842735	1	Extension cable'verl		L=7.0m
	3842736	1	Extension cable'verl		L=9.0m
	3842737	1	Extension cable'verl		L=11.0m
	21172469	1	Extension cable'verl		L=20m
	21172470	1	Extension cable'verl		L=40m
10	40005754	1	Wiring harness		Engine-PCU cable., L=2.65m
11	3588972	1	Cable kit		T-connector bus cable, 6-pole., L=0.5m
12	3587070	1	Starter switch, set		Kit with 2 key switch with identical key.
13	3587071	1	Starter switch		
14	859955	1	* Plastic nut		
15	859953	1	* Key		State key code when ordering.
			* Bulletin 49-30	49-30-EN	Key P/N 859953
16	21469059	X	Control unit, not programmed		PCU. Software ordered separately or downloaded with Vodia.
	3586267	X	Software		Warehouse programming. This p/n can not be ordered, but will be used for invoicing.
	3586266	X	Software		Vodia-programming. This p/n can not be ordered, but will be used for invoicing.
17	21230875	4	* Sleeve		
18	976104	4	Flange screw		
19	21520222	1	Control unit		HCU. separate mounting, Software ordered separately or downloaded with Vodia.
	3586259	1	Software		Vodia-programming. This p/n can not be ordered, but will be used for invoicing.
	3586261	1	Software		Warehouse programming. This p/n can not be ordered, but will be used for invoicing.
20	3886666	1	Cable, synchronizing		Synchronizing cabel for twin installation. 6 pole., L=1.5m
21	3807229	1	Wiring harness, fuel		
22	40005753	1	Wiring harness		Transmission cable for reverse gear
23	3588206	1	Cable kit, y-split		For connecting extra equipment to Multilink
24	21469055	1	Connection block		
25	3587054	1	Sensor		Through hull
26	3587055	1	Sensor		Mounted on transom
27	21460908	1	Converter		
28	21461496	1	Network adapter		
29	3817974	1	* Alarm		
30	21509941	1	Control unit		

D3-110I-D, D3-110I-E, D3-110I-F, D3-140I-E, D3-140I-F, D3-150I-D, D3-140A-D, D3-140A-E, D3-140A-F, D3-150I-E, D3-150I-F, D3-170I-D, D3-170I-E, D3-170I-F, D3-170A-D, D3-170A-E, D3-170A-F, D3-200I-D, D3-200I-E, D3-200I-F, D3-200A-D, D3-200A-E, D3-200A-F, D3-220I-D, D3-220I-E, D3-220I-F, D3-220A-D, D3-220A-E, D3-220A-F

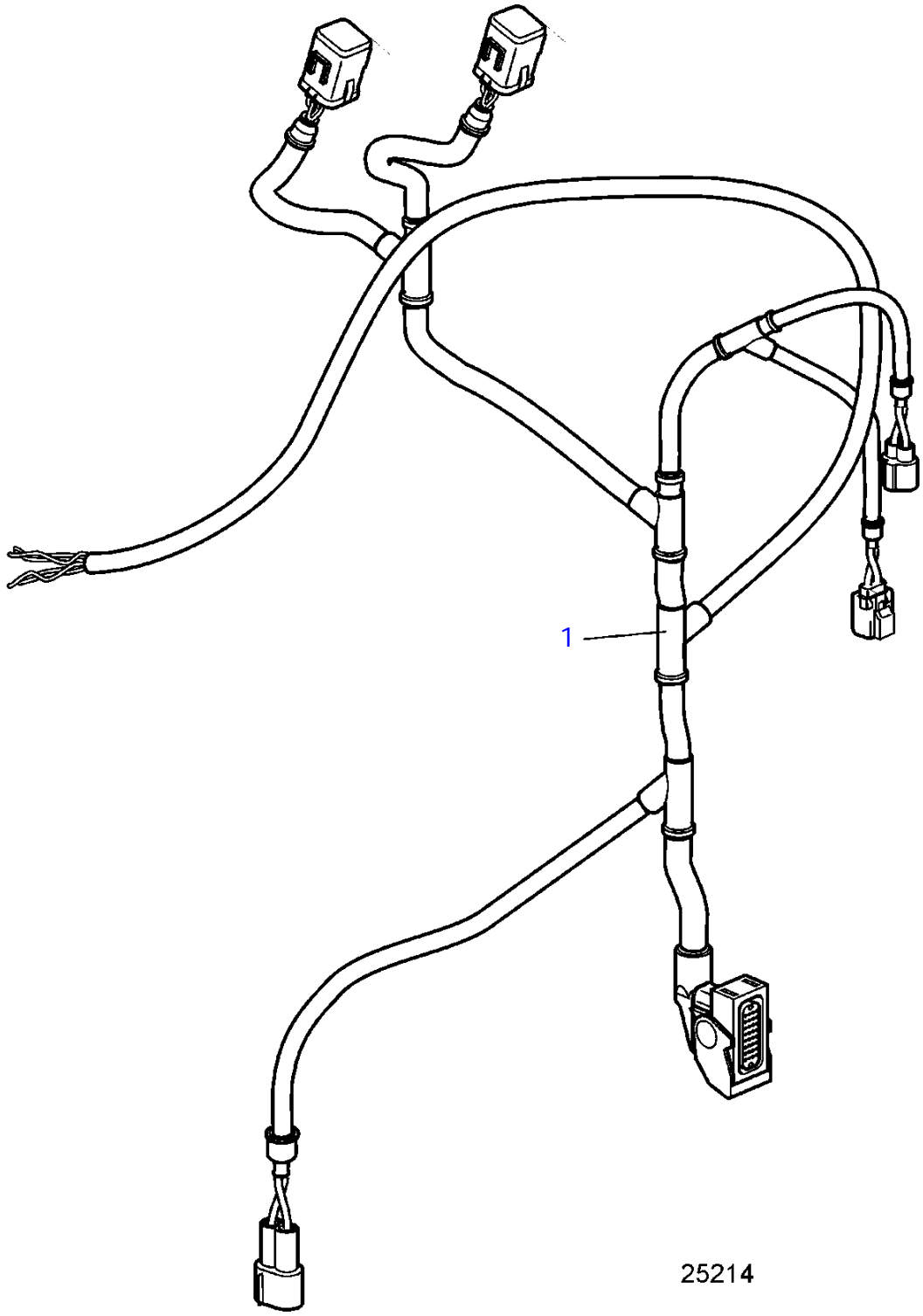


25584

D3-110I-D, D3-110I-E, D3-110I-F, D3-140I-E, D3-140I-F, D3-150I-D, D3-140A-D, D3-140A-E, D3-140A-F, D3-150I-E, D3-150I-F, D3-170I-D, D3-170I-E, D3-170I-F, D3-170A-D, D3-170A-E, D3-170A-F, D3-200I-D, D3-200I-E, D3-200I-F, D3-200A-D, D3-200A-E, D3-200A-F, D3-220I-D, D3-220I-E, D3-220I-F, D3-220A-D, D3-220A-E, D3-220A-F

REF	PART NO.	QTY	DESCRIPTION	SEE SEC.	NOTES
1	881801	1	Wiring harness		Included in EVC cable kit 3587052., L=2,0m
2	3587071	1	Starter switch		
	3587070	1	Starter switch		Kit with 2 key switch with identical key.
3	859953	1	* Key		State key code when ordering.
			* Bulletin 49-30	49-30-EN	Key P/N 859953
4	21321153	X	Control unit, not programmed		HCU. Software ordered separately or downloaded with Vodia.
	3586261	X	Software		Warehouse programming. This p/n can not be ordered, but will be used for invoicing.
	3586259	X	Software		Vodia-programming. This p/n can not be ordered, but will be used for invoicing.
	21172467		Control unit		XCU
5	21339311	X	Control unit, not programmed		PCU. Software ordered separately or downloaded with Vodia.
	3586267	X	Software		Warehouse programming. This p/n can not be ordered, but will be used for invoicing.
	3586266	X	Software		Vodia-programming. This p/n can not be ordered, but will be used for invoicing.
6	21230875	4	* Sleeve		
7	976104	4	Flange screw		
8	21207240	1	Wiring harness		ECU to engine
9	3587054	1	Sensor		Through hull
10	3587055	1	Sensor		Mounted on transom
11	3812291	1	Sensor kit		Replaced by 21575479
	21575479		Sensor kit		
12	873772	1	* Tank sensor		
13	3807228	1	Wiring harness		For trim instrument and instrument light, L=0.5m
14	3807229	1	Wiring harness		For fuel level sender, L=5.0m
15	3885806	1	Wiring harness		For trim pump and trim sender, Included in EVC cable kit 3587052., L=5.0m
16	3842733	1	Extension cable'verl		L=3.0m, 6-Way
	3842734	1	Extension cable'verl		L=5.0m, 6-Way
	3842735	1	Extension cable'verl		L=7.0m, 6-Way
	3842736	1	Extension cable'verl		L=9.0m, 6-Way
	3842737	1	Extension cable'verl		L=11.0m, 6-Way
17	888248	1	Extension cable'verl		Multilink., L=10.0' (3.0m), 8-way.
	888249	1	Extension cable'verl		L=5.0m, 8-way.
	888250	1	Extension cable'verl		L=23.0' (7.0m), 8-way.
	888251	1	Extension cable'verl		L=9.0m, 8-way.
	888253	1	Extension cable'verl		L=11,00m, 8-way.
18	3840433	1	Sealing plug		Plug for connection in HIU when reverse gear is used.
19	3884818	1	Display, kit		Replaced by 3849972
	3849972	1	Display		Replaced by 3595108
	3595108	1	Display		Replaced by 21173162
	21173162	1	Display		
20		1	* Display		
21	830928	4	* Stud		
22	830930	4	* Nut		
23	3588207	1	* Cable kit		
24	3848966	1	Control unit		
			* Bulletin P-38-1-1	P-38-1-1-EN	ADU - Automatic Dimmer Unit
25	873112	1	Position sensor		SOLAS
26	3594603	1	Wiring harness		SOLAS
27	856337	1	Automatic fuse		50A, SOLAS
28	3594644	1	Wiring harness		SOLAS
29	3885810	1	Wiring harness		
30	873765	1	* Relay		
31	881849	1	Wiring harness		
32	873765	1	Relay		

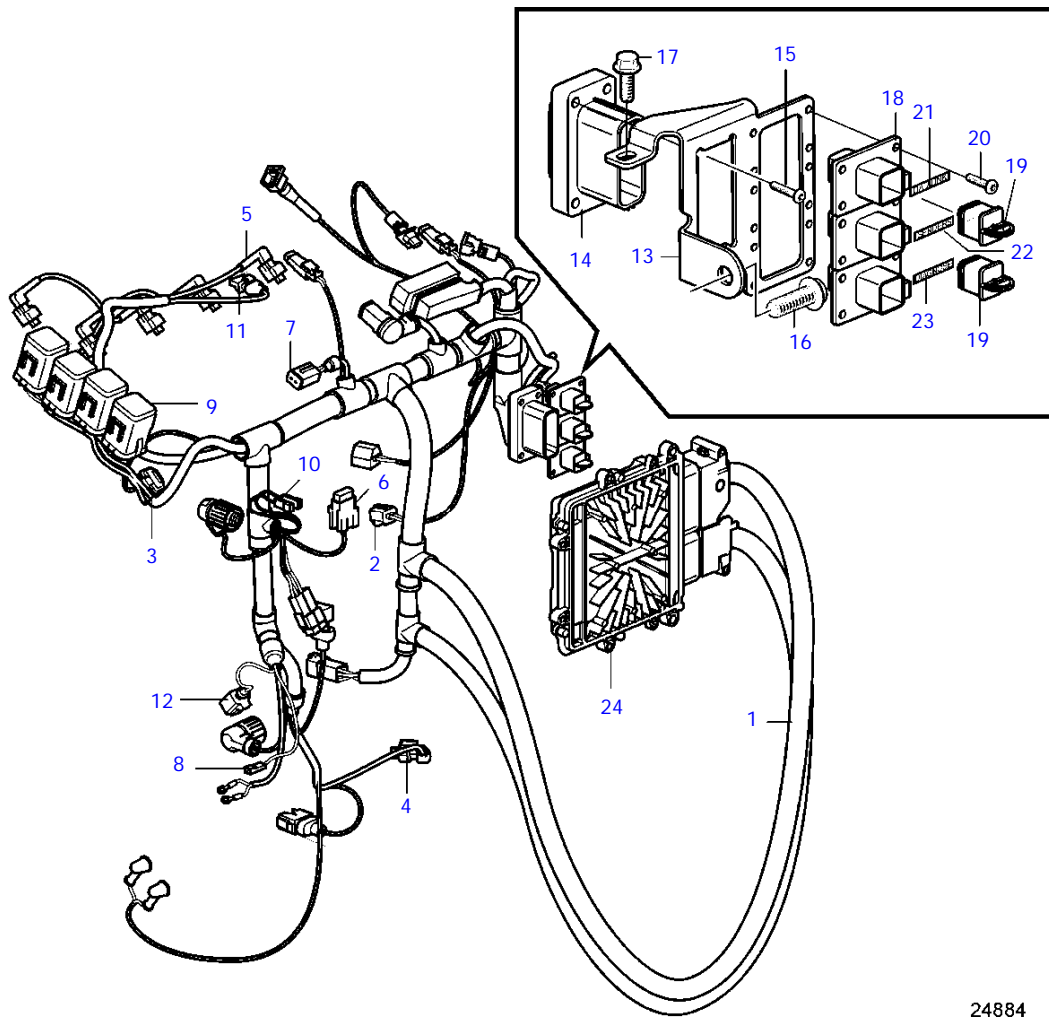
D3-140A-D, D3-170A-D, D3-200A-D, D3-220A-D



D3-140A-D, D3-170A-D, D3-200A-D, D3-220A-D

REF	PART NO.	QTY	DESCRIPTION	NOTES
1	21137194	1	Wiring harness	Transmission cable AQ

D3-110I-D, D3-110I-E, D3-110I-F, D3-140I-E, D3-140I-F, D3-150I-D, D3-140A-D, D3-140A-E, D3-140A-F, D3-150I-E, D3-150I-F, D3-170I-D, D3-170I-E, D3-170I-F, D3-170A-D, D3-170A-E, D3-170A-F, D3-200I-D, D3-200I-E, D3-200I-F, D3-200A-D, D3-200A-E, D3-200A-F, D3-220I-D, D3-220I-E, D3-220I-F, D3-220A-D, D3-220A-E, D3-220A-F

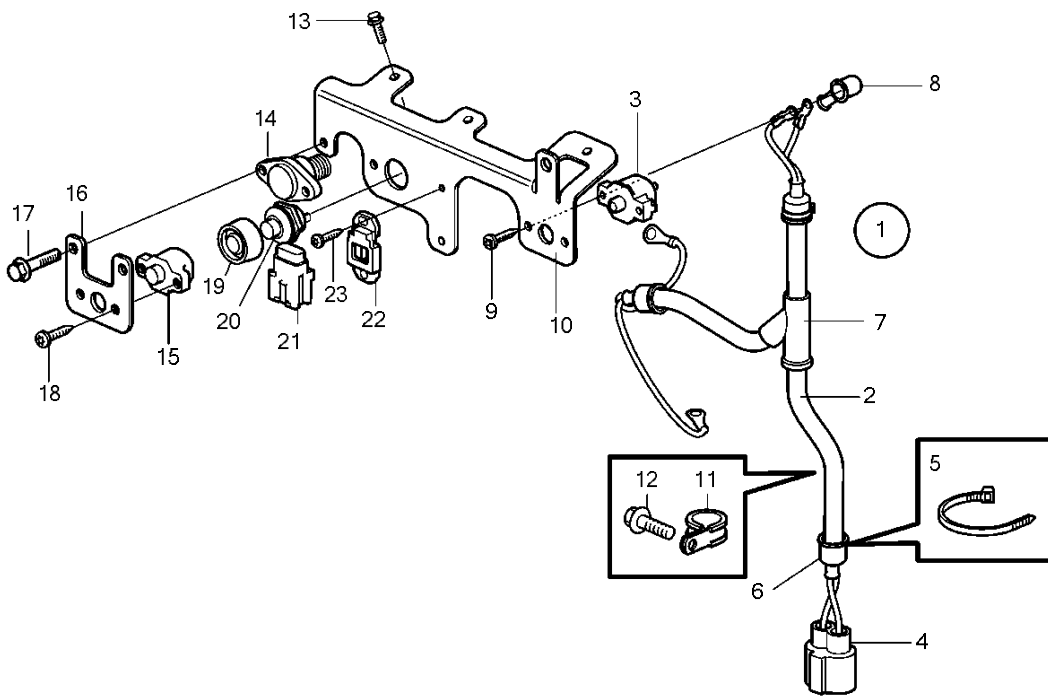


24884

D3-110I-D, D3-110I-E, D3-110I-F, D3-140I-E, D3-140I-F, D3-150I-D, D3-140A-D, D3-140-A-E, D3-140A-E, D3-140A-F, D3-150I-E, D3-150I-F, D3-170I-D, D3-170I-E, D3-170I-F, D3-170A-D, D3-170A-E, D3-170A-F, D3-200I-D, D3-200I-E, D3-200I-F, D3-200A-D, D3-200A-E, D3-200A-F, D3-220I-D, D3-220I-E, D3-220I-F, D3-220A-D, D3-220A-E, D3-220A-F

REF	PART NO.	QTY	DESCRIPTION	SEE SEC.	NOTES
1	21375785	1	Wiring harness		Replaced by 21446505
	21446505	1	Wiring harness		
2	9469830	1	* Receptacle housing		
3	874455	1	* Receptacle housing		3-pole
4	874456	1	* Receptacle housing		4-pole
5	8622455	1	* Receptacle housing		3-pole, Marked Bosch.
6	873852	1	* Fuse holder		
7	874957	1	* Housing		4-pole
8	949597	1	* Housing		1-way.
9	21400091	1	* Relay		
			*	35765	
10	949597	2	* Housing		1-way.
11	970753	1	* Housing		2-pole.
12	977929	1	* Housing		3-pole
13	21225475	1	* Bracket		
14	992329	1	* Housing		
15	969405	4	* 6 point socket screw		M5x12mm
16	946671	1	* Flange screw		M8x30mm
17	946544	1	* Flange screw		M6x16mm
18	992330	1	* Housing		
19	3840433	2	* Sealing plug		
20	969278	12	* 6 point socket screw		
21	21243308	1	* Decal		Datalink
22	21227098	1	* Decal		Senders
23	21227096	1	* Decal		Diagnose
24	21092158	1	Control unit		
	3586269	1	Software		For warehouse programming
	3586268	1	Software		For Vodia programming

D3-140A-D, D3-170A-D, D3-200A-D, D3-220A-D



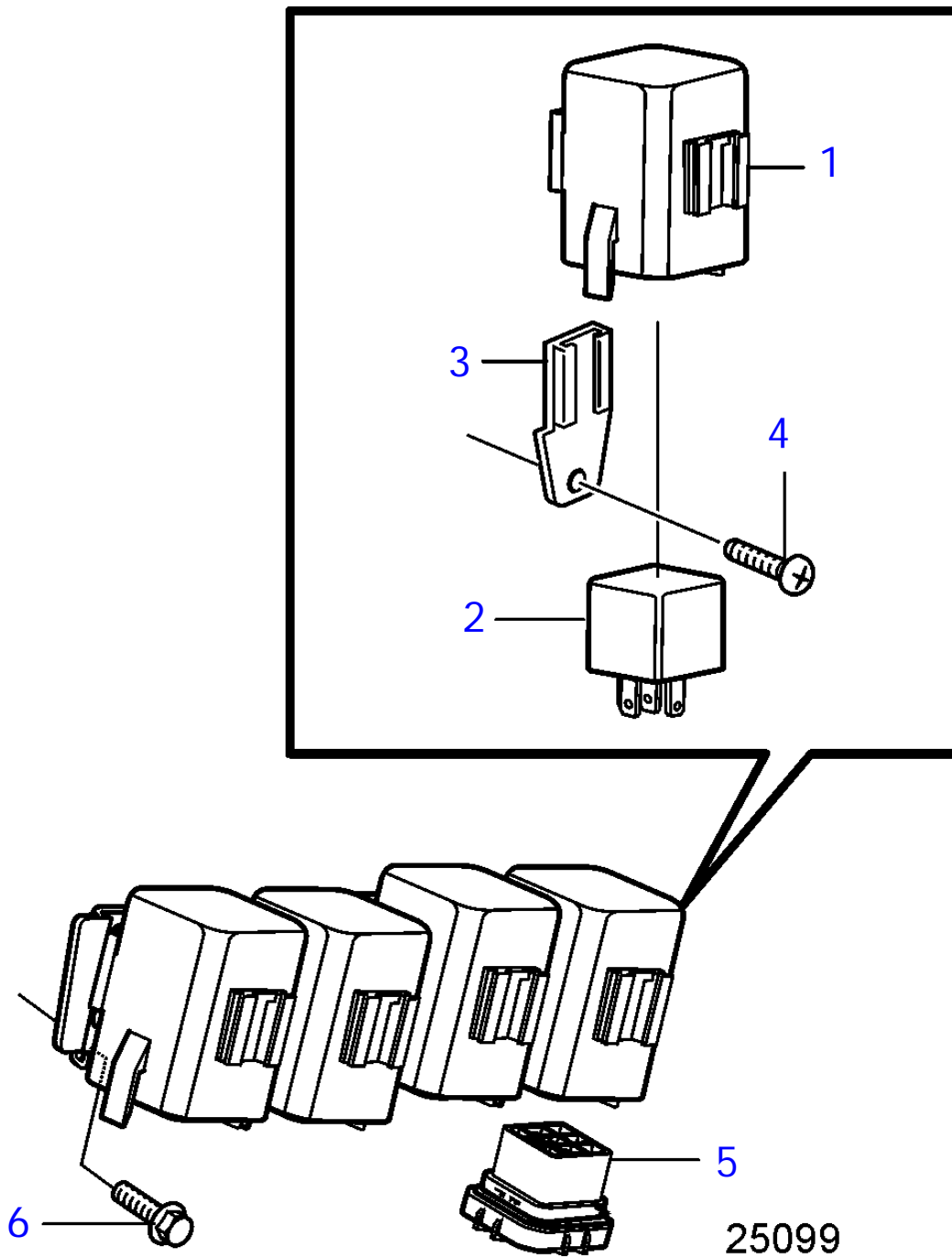
24845

D3-140A-D, D3-170A-D, D3-200A-D, D3-220A-D

REF	PART NO.	QTY	DESCRIPTION	NOTES
1	21334583	1	Wiring harness	
2	21312722	1	* Wiring harness	
3	3885972	1	* Automatic fuse	40AMP
4	3843097	1	Connector	
5	948702	3	Cable tie	
6	4803711	3	Protecting sleeve	
7		1	Protection	
8	829200	2	Protective cap	
9	969278	2	6 point socket screw	
10	21328042	1	Bracket	
11	952629	1	Clamp	
12	946671	1	Flange screw	M8x30mm
13	948746	3	Flange screw	M6x16mm
14	3848975	1	Stop button	
15	856337	1	Automatic fuse	SOLAS
16	21328048	1	Bracket	SOLAS
17	946544	2	Flange screw	SOLAS
18	3853620	2	Hexagon screw	SOLAS
19	837533	1	Rubber cap	
20	843684	1	Button	
21	873852	1	Fuse holder	
22	873944	1	Retainer	
23	969278	2	6 point socket screw	



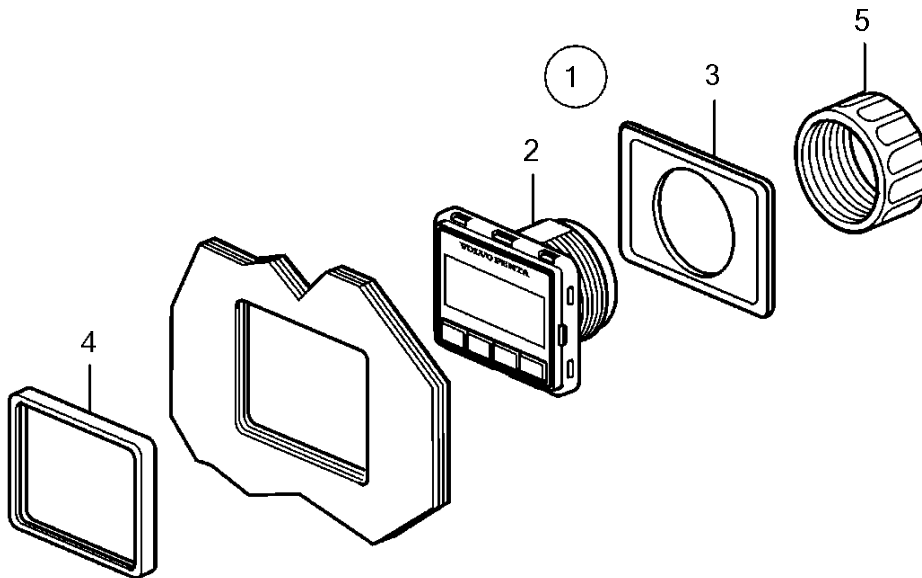
D3-110I-D, D3-110I-E, D3-110I-F, D3-140I-E, D3-140I-F, D3-150I-D, D3-140A-D, D3-140A-E, D3-140A-F, D3-150I-E, D3-150I-F, D3-170I-D, D3-170I-E, D3-170I-F, D3-170A-D, D3-170A-E, D3-170A-F, D3-200I-D, D3-200I-E, D3-200I-F, D3-200A-D, D3-200A-E, D3-200A-F, D3-220I-D, D3-220I-E, D3-220I-F, D3-220A-D, D3-220A-E, D3-220A-F



D3-110I-D, D3-110I-E, D3-110I-F, D3-140I-E, D3-140I-F, D3-150I-D, D3-140A-D, D3-140-A-E, D3-140A-E, D3-140A-F, D3-150I-E, D3-150I-F, D3-170I-D, D3-170I-E, D3-170I-F, D3-170A-D, D3-170A-E, D3-170A-F, D3-200I-D, D3-200I-E, D3-200I-F, D3-200A-D, D3-200A-E, D3-200A-F, D3-220I-D, D3-220I-E, D3-220I-F, D3-220A-D, D3-220A-E, D3-220A-F

REF	PART NO.	QTY	DESCRIPTION	NOTES
1	3587173	4	Relay box	Replaced by 21494263
	21494263	4	Relay box	
2	21400091	4	Relay	
3	21492847	4	Relay bracket	
4	969407	4	6 point socket screw	
5	3587172	4	Relay socket	
6	968476	8	Flange screw	

D3-110I-E, D3-110I-F, D3-140I-E, D3-140I-F, D3-140-A-E, D3-140A-F, D3-150I-E, D3-150I-F, D3-170I-E, D3-170I-F,
D3-170A-E, D3-170A-F, D3-200I-E, D3-200I-F, D3-200A-E, D3-200A-F, D3-220I-E, D3-220I-F, D3-220A-E, D3-220A-F

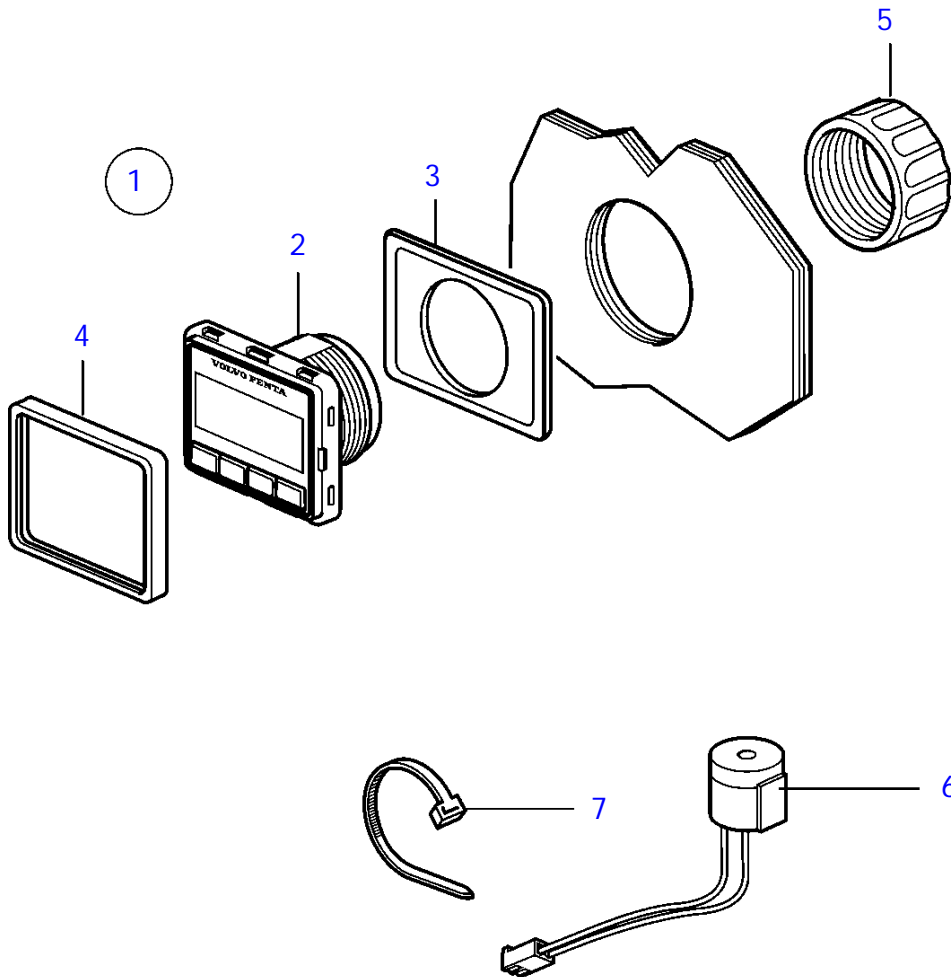


26041

D3-110I-E, D3-110I-F, D3-140I-E, D3-140I-F, D3-140-A-E, D3-140A-F, D3-150I-E, D3-150I-F, D3-170I-E, D3-170I-F, D3-170A-E, D3-170A-F, D3-200I-E, D3-200I-F, D3-200A-E, D3-200A-F, D3-220I-E, D3-220I-F, D3-220A-E, D3-220A-F

REF	PART NO.	QTY	DESCRIPTION	NOTES
1	21761718	1	Display	2,5" information display
2		1	* Display	
3	3808135	1	* Gasket	
4	21467057	1	* Frame	
5	874450	1	* Attaching ring	

D3-110I-E, D3-110I-F, D3-140I-E, D3-140I-F, D3-140-A-E, D3-140A-F, D3-150I-E, D3-150I-F, D3-170I-E, D3-170I-F,
D3-170A-E, D3-170A-F, D3-200I-E, D3-200I-F, D3-200A-E, D3-200A-F, D3-220I-E, D3-220I-F, D3-220A-E, D3-220A-F

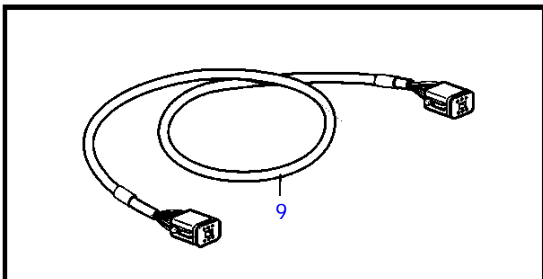
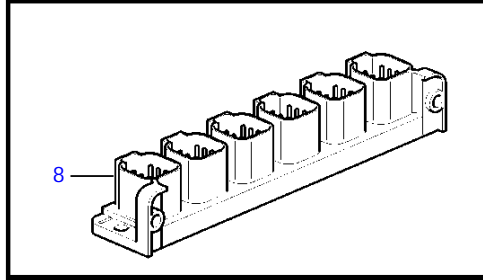
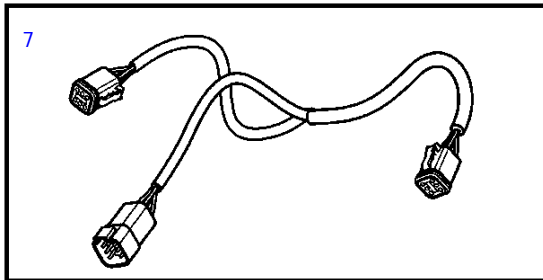
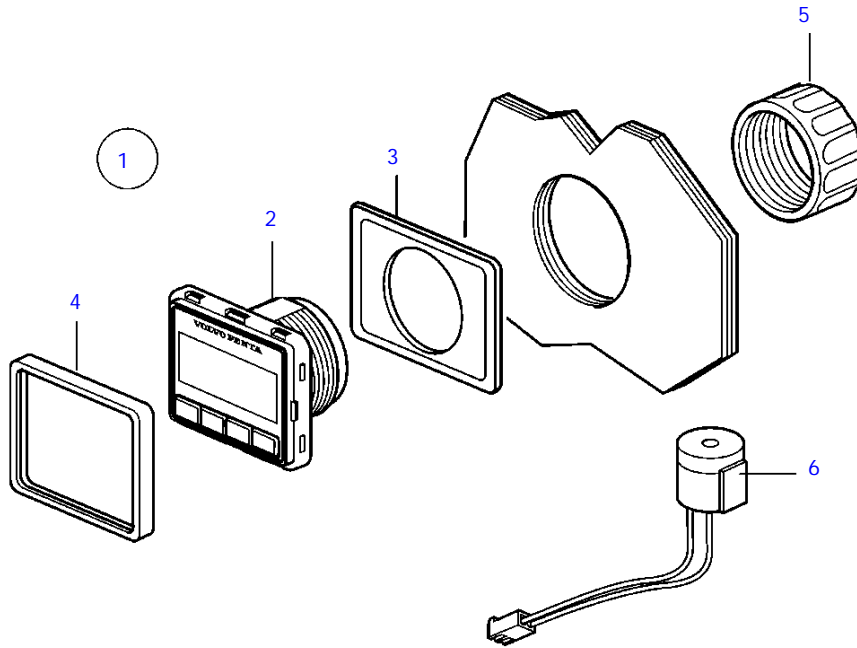


25281

D3-110I-E, D3-110I-F, D3-140I-E, D3-140I-F, D3-140-A-E, D3-140A-F, D3-150I-E, D3-150I-F, D3-170I-E, D3-170I-F, D3-170A-E, D3-170A-F, D3-200I-E, D3-200I-F, D3-200A-E, D3-200A-F, D3-220I-E, D3-220I-F, D3-220A-E, D3-220A-F

REF	PART NO.	QTY	DESCRIPTION	NOTES
1	21761722	1	Display	2,5" generic button panel
2		1	* Display	
3	3808135	1	* Gasket	
4	21467057	1	* Frame	
5	874450	1	* Attaching ring	
6	21358227	1	* Buzzer	12V
7	948211	X	Cable tie	For top mounting

D3-110I-E, D3-110I-F, D3-140I-E, D3-140I-F, D3-140A-E, D3-140A-F, D3-150I-E, D3-150I-F, D3-170I-E, D3-170I-F, D3-170A-E, D3-170A-F, D3-200I-E, D3-200I-F, D3-200A-E, D3-200A-F, D3-220I-E, D3-220I-F, D3-220A-E, D3-220A-F



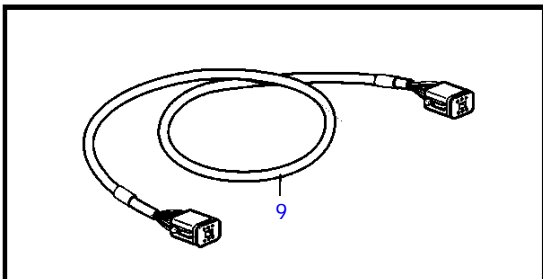
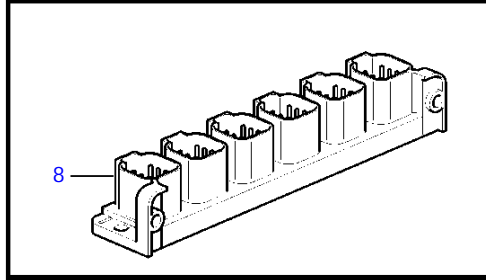
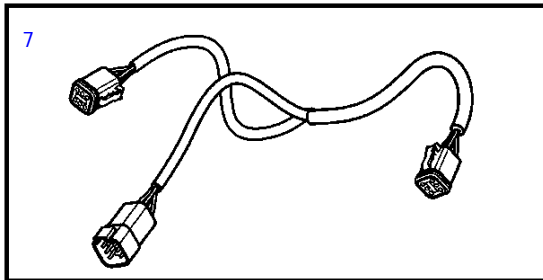
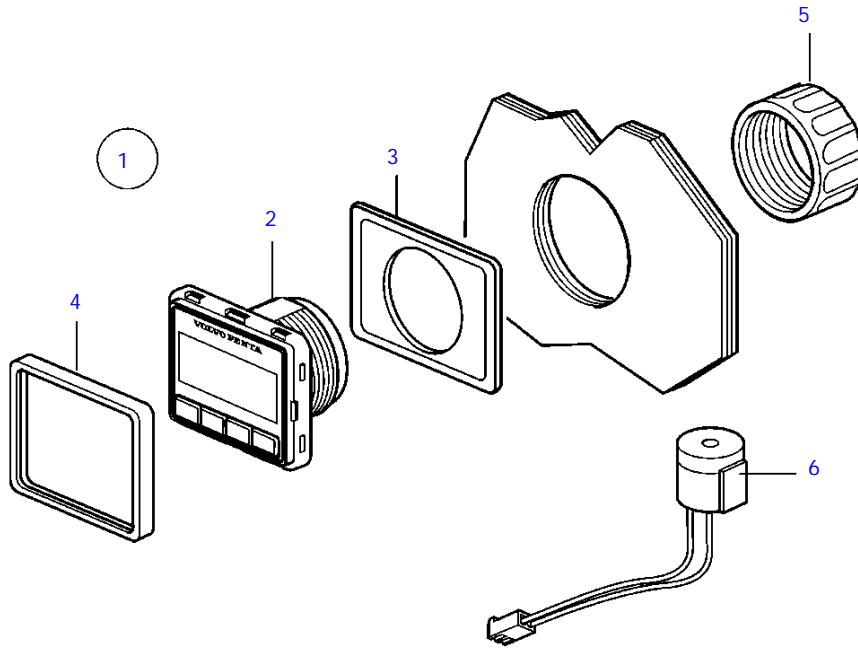
25294

D3-110I-E, D3-110I-F, D3-140I-E, D3-140I-F, D3-140A-E, D3-140A-F, D3-150I-E, D3-150I-F, D3-170I-E, D3-170I-F, D3-170A-E, D3-170A-F, D3-200I-E, D3-200I-F, D3-200A-E, D3-200A-F, D3-220I-E, D3-220I-F, D3-220A-E, D3-220A-F

REF	PART NO.	QTY	DESCRIPTION	NOTES
1	21761722	1	Display	Flexidisplay button panel
2		1	* Display	
3	3808135	1	* Gasket	
4	21467057	1	* Frame	
5	874450	1	* Attaching ring	
6	21358227	1	* Buzzer	12V
7	3588972	1	Cable kit	
8	21469055	1	Connection block	
9	3886666	3	Cable	



D3-110I-E, D3-110I-F, D3-140I-E, D3-140I-F, D3-140-A-E, D3-140-A-F, D3-150I-E, D3-150I-F, D3-170I-E, D3-170I-F, D3-170A-E, D3-170A-F, D3-200I-E, D3-200I-F, D3-200A-E, D3-200A-F, D3-220I-E, D3-220I-F, D3-220A-E, D3-220A-F

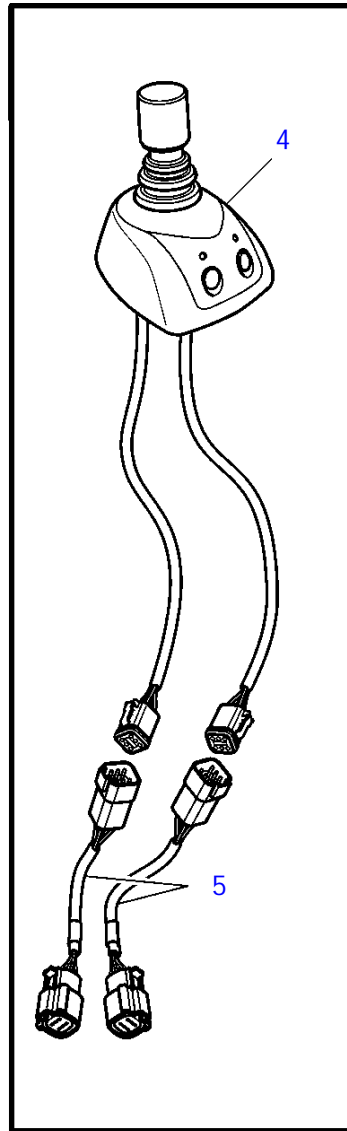
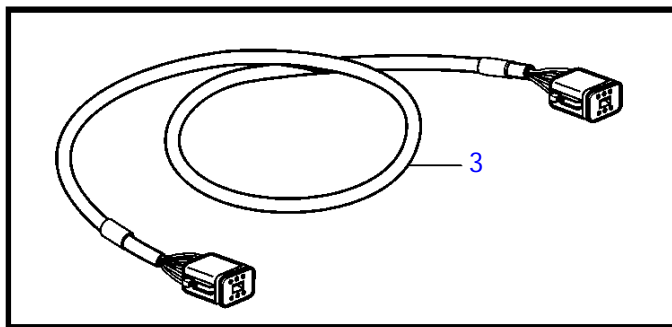
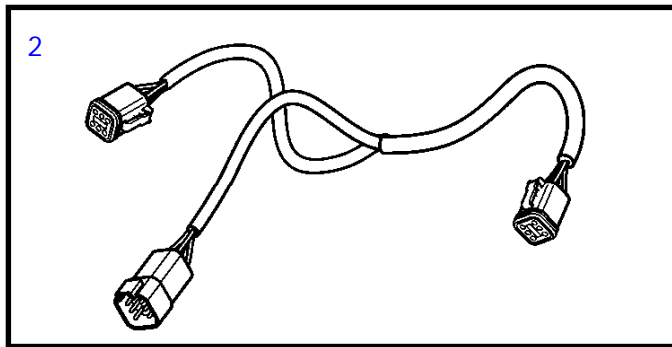
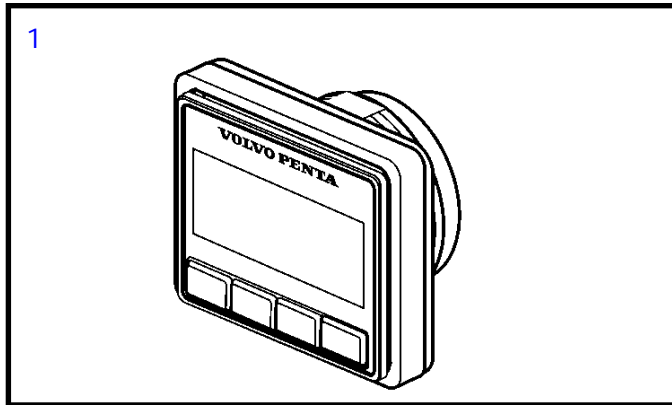


25294

D3-110I-E, D3-110I-F, D3-140I-E, D3-140I-F, D3-140A-E, D3-140A-F, D3-150I-E, D3-150I-F, D3-170I-E, D3-170I-F, D3-170A-E, D3-170A-F, D3-200I-E, D3-200I-F, D3-200A-E, D3-200A-F, D3-220I-E, D3-220I-F, D3-220A-E, D3-220A-F

REF	PART NO.	QTY	DESCRIPTION	NOTES
1	21761722	1	Display	Flexidisplay button panel
2		1	* Display	
3	3808135	1	* Gasket	
4	21467057	1	* Frame	
5	874450	1	* Attaching ring	
6	21358227	1	* Buzzer	12V
7	3588972	2	Cable kit	
8	21469055	1	Connection block	
9	3886666	6	Cable	

D3-140-A-E, D3-140A-F, D3-170A-E, D3-170A-F, D3-200A-E, D3-200A-F, D3-220A-E, D3-220A-F

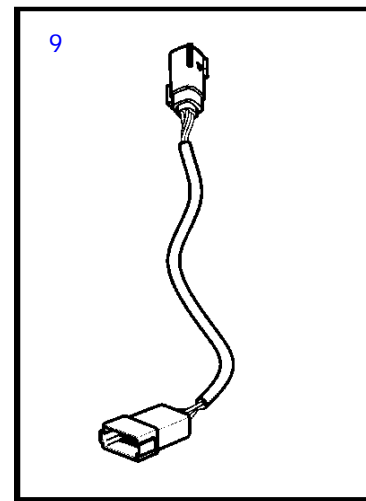
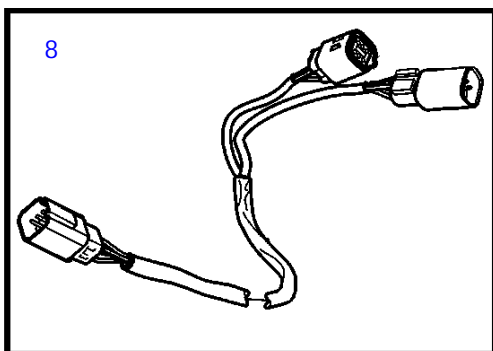
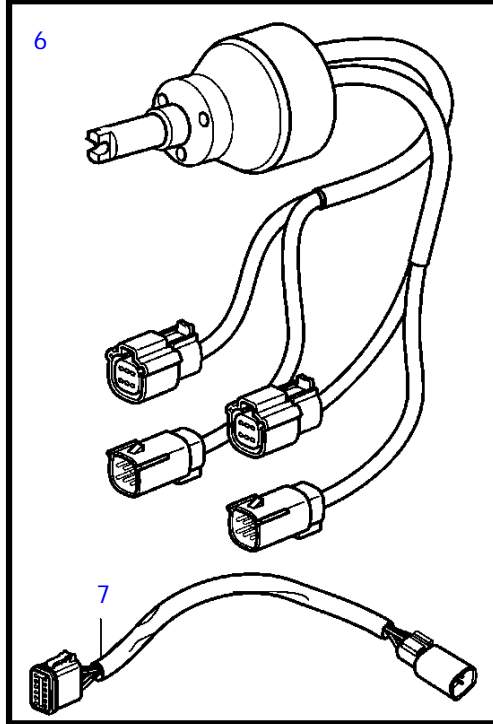
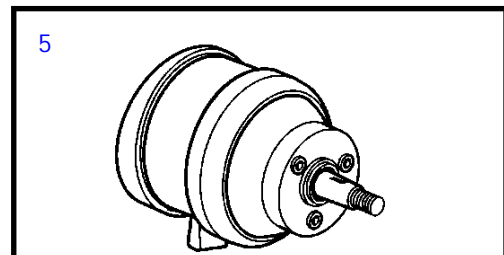
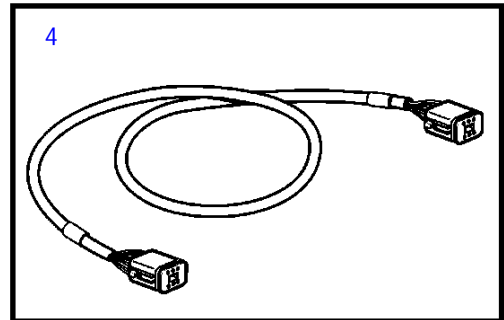
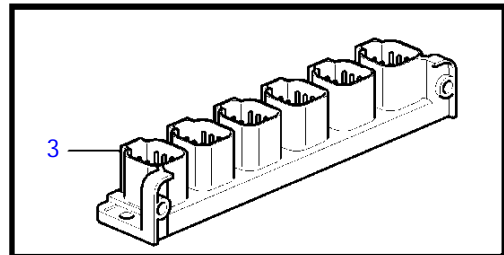
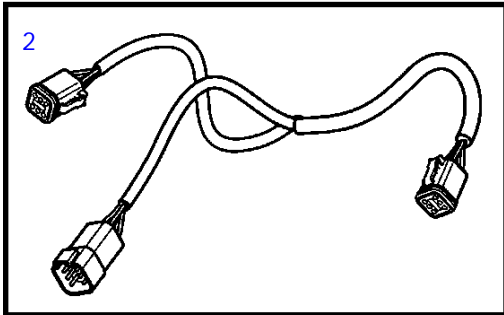
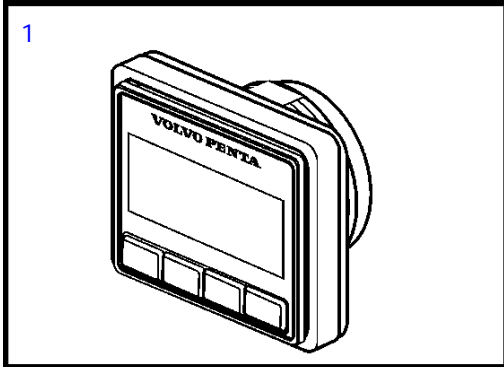


25308

D3-140-A-E, D3-140A-F, D3-170A-E, D3-170A-F, D3-200A-E, D3-200A-F, D3-220A-E, D3-220A-F

REF	PART NO.	QTY	DESCRIPTION	NOTES
1	21761722	1	Display	Flexidisplay button panel
2	3588972	2	Cable kit	
3	3886666	1	Cable	
4	21476548	1	Kit	
5	21421940	2	* Cable	

D3-110I-E, D3-110I-F, D3-140I-F, D3-140A-E, D3-140A-F, D3-150I-E, D3-150I-F, D3-170I-E, D3-170I-F, D3-170A-E, D3-170A-F, D3-200I-E, D3-200I-F, D3-200A-E, D3-200A-F, D3-220I-E, D3-220I-F, D3-220A-E, D3-220A-F



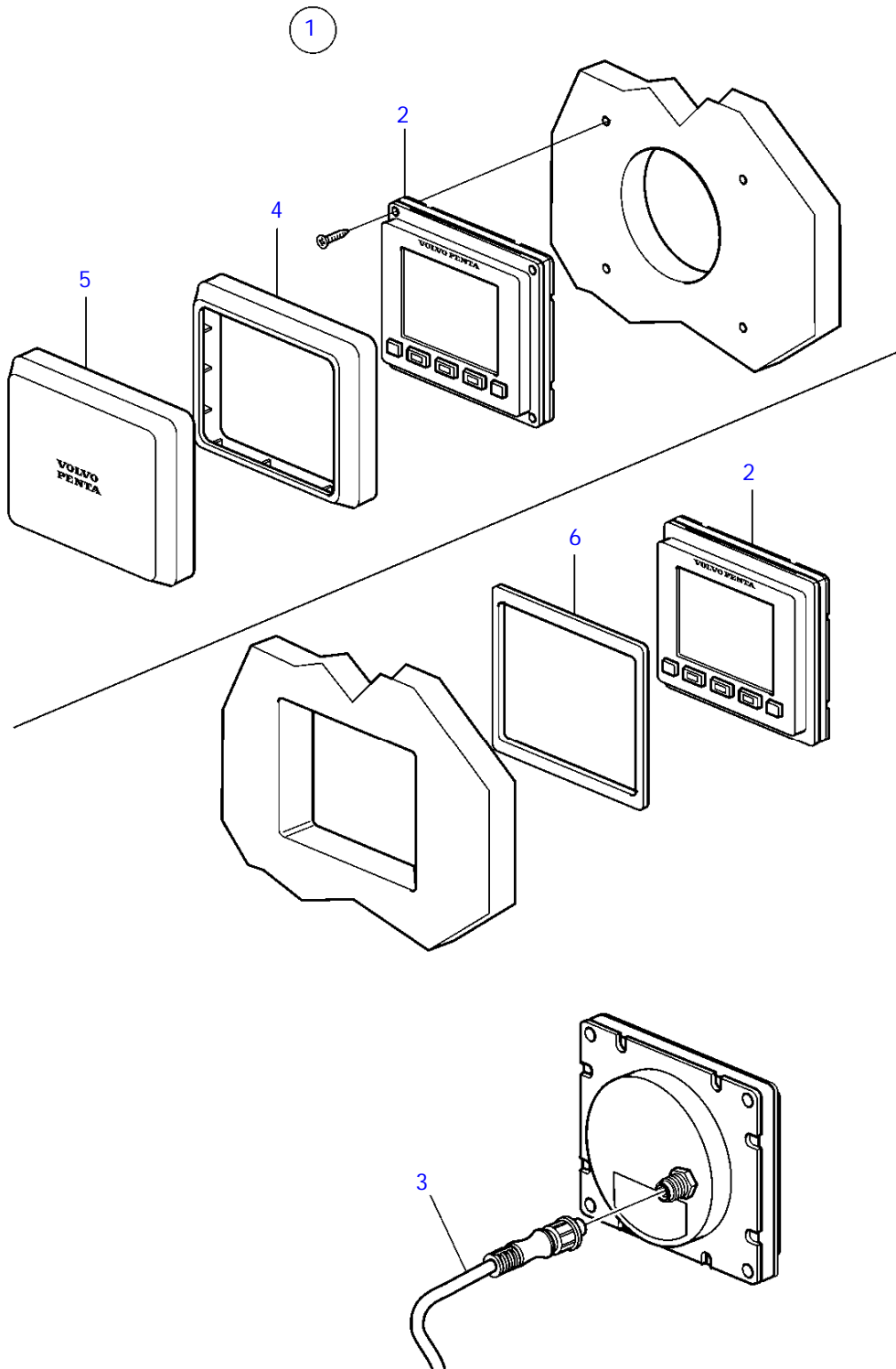
25301

D3-110I-E, D3-110I-F, D3-140I-F, D3-140-A-E, D3-140A-F, D3-150I-E, D3-150I-F, D3-170I-E, D3-170I-F, D3-170A-E, D3-170A-F, D3-200I-E, D3-200I-F, D3-200A-E, D3-200A-F, D3-220I-E, D3-220I-F, D3-220A-E, D3-220A-F

REF	PART NO.	QTY	DESCRIPTION	NOTES
1	21761722	1	Display	Flexidisplay button panel
2	3588972	3	Cable kit	
3	21469055	2	Connection block	
4	3886666	7	Cable	
5	3841280	1	Steering wheel adjus	
6	21469560	1	Steering wheel hub	
7	21421942	1	Cable	Alternative for EVC-C3
8	21421941	2	Cable	For EVC system and hub 21469560.
9	21287072	1	Wiring harness	



D3-110I-D, D3-110I-E, D3-110I-F, D3-140I-E, D3-140I-F, D3-150I-D, D3-140A-D, D3-140A-E, D3-140A-F, D3-150I-E,
 D3-150I-F, D3-170I-D, D3-170I-E, D3-170I-F, D3-170A-D, D3-170A-E, D3-170A-F, D3-200I-D, D3-200I-E, D3-200I-F,
 D3-200A-D, D3-200A-E, D3-200A-F, D3-220I-D, D3-220I-E, D3-220I-F, D3-220A-D, D3-220A-E, D3-220A-F

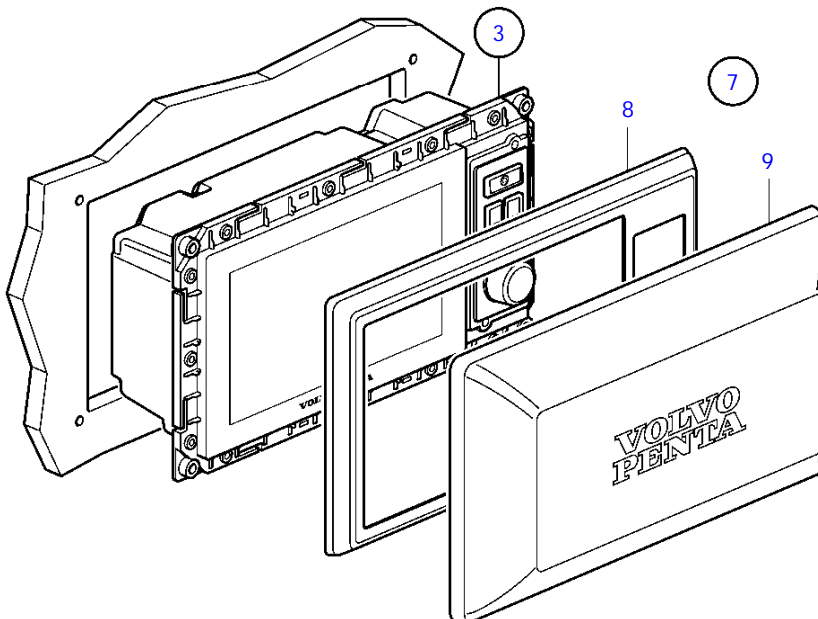
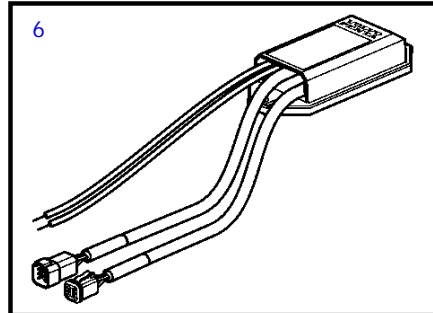
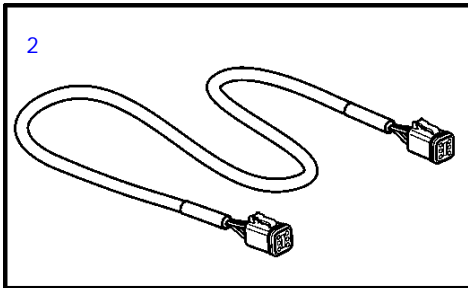
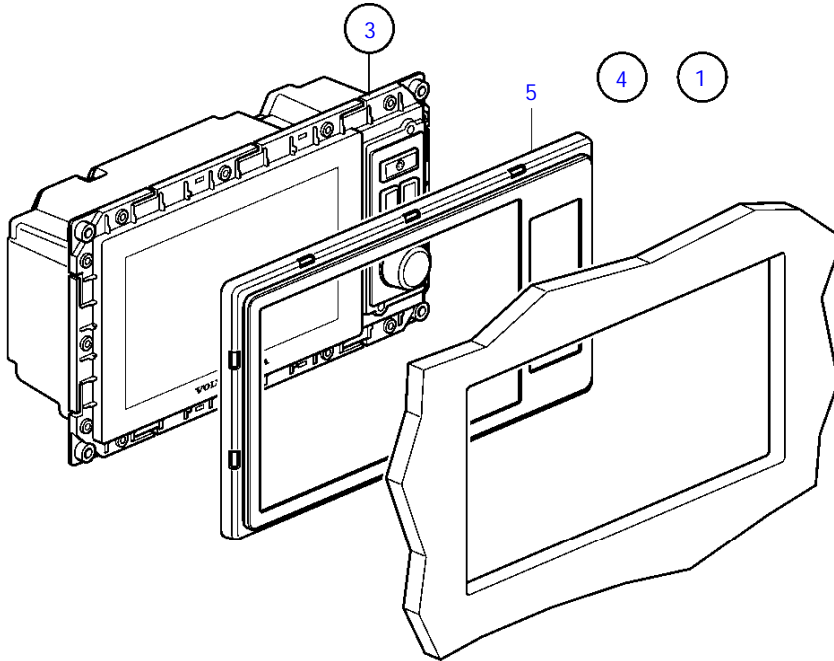


25864

D3-110I-D, D3-110I-E, D3-110I-F, D3-140I-E, D3-140I-F, D3-150I-D, D3-140A-D, D3-140A-E, D3-140A-F, D3-150I-E, D3-150I-F, D3-170I-D, D3-170I-E, D3-170I-F, D3-170A-D, D3-170A-E, D3-170A-F, D3-200I-D, D3-200I-E, D3-200I-F, D3-200A-D, D3-200A-E, D3-200A-F, D3-220I-D, D3-220I-E, D3-220I-F, D3-220A-D, D3-220A-E, D3-220A-F

REF	PART NO.	QTY	DESCRIPTION	NOTES
1	21584186	1	Display, kit	
2		1	* Display	
3	21640400	1	* Cable	
4	21611210	1	* Frame	For top mounting
5	21611208	1	* Cover	For top mounting
6	21693705	1	* Gasket	For flush mounting.

D3-110I-D, D3-110I-E, D3-110I-F, D3-140I-E, D3-140I-F, D3-150I-D, D3-140A-D, D3-140A-E, D3-140A-F, D3-150I-E, D3-150I-F, D3-170I-D, D3-170I-E, D3-170I-F, D3-170A-D, D3-170A-E, D3-170A-F, D3-200I-D, D3-200I-E, D3-200I-F, D3-200A-D, D3-200A-E, D3-200A-F, D3-220I-D, D3-220I-E, D3-220I-F, D3-220A-D, D3-220A-E, D3-220A-F

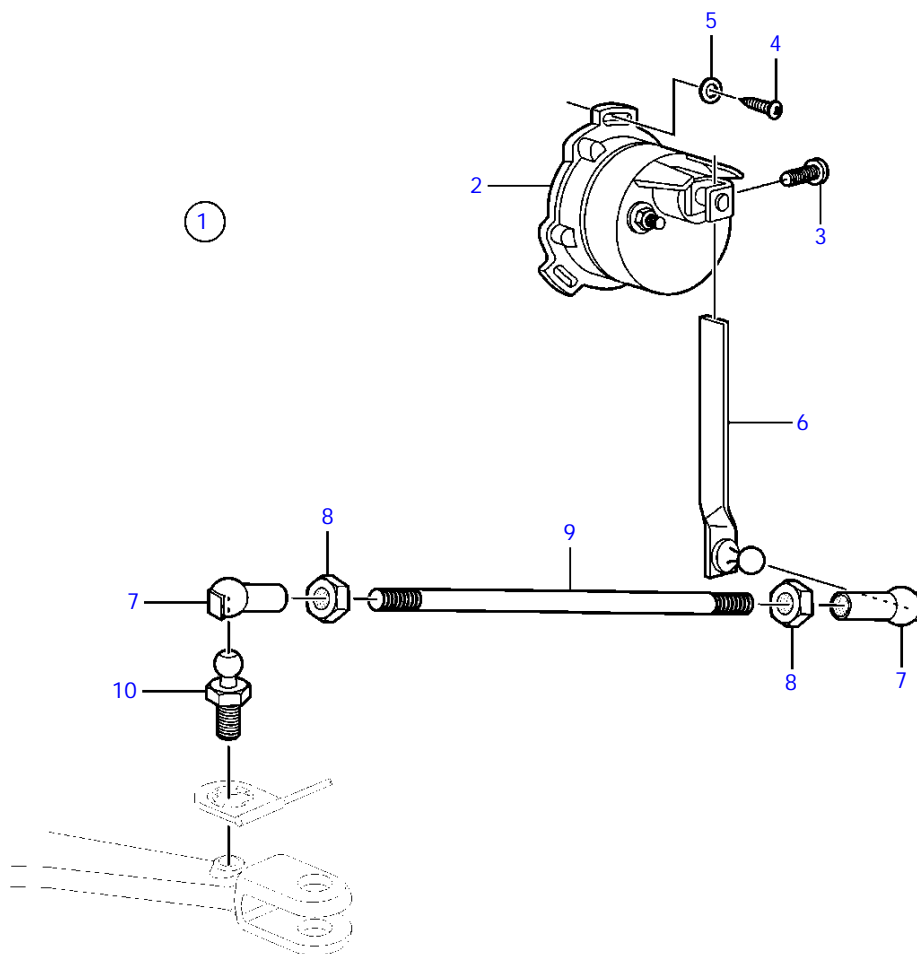
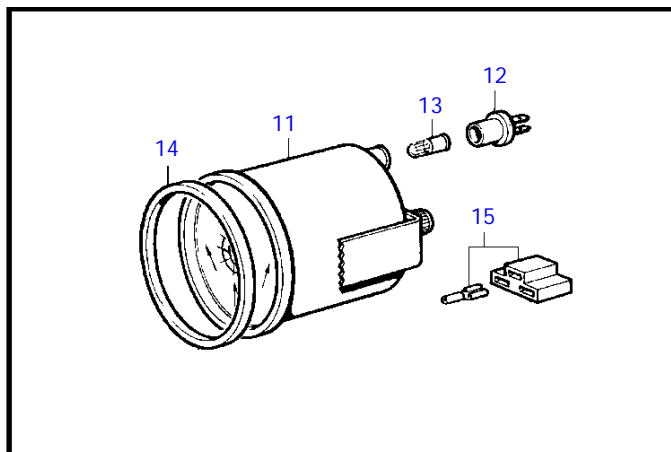


25293

D3-110I-D, D3-110I-E, D3-110I-F, D3-140I-E, D3-140I-F, D3-150I-D, D3-140A-D, D3-140A-E, D3-140A-F, D3-150I-E, D3-150I-F, D3-170I-D, D3-170I-E, D3-170I-F, D3-170A-D, D3-170A-E, D3-170A-F, D3-200I-D, D3-200I-E, D3-200I-F, D3-200A-D, D3-200A-E, D3-200A-F, D3-220I-D, D3-220I-E, D3-220I-F, D3-220A-D, D3-220A-E, D3-220A-F

REF	PART NO.	QTY	DESCRIPTION	NOTES
1	21501717	1	Display	For flush mounting., replaced by next part number
	21685202		Display	For flush mounting.
2	21514712	1	* Cable	
3		1	* Kit	
		1	* * Display	
4		1	* Display	For flush mounting.
5		1	* * Frame	
6	21379779	1	Network adapter	12V
7	21330289	1	Kit	For top mounting
8	(21143284)	1	* Frame	Obsolete part
9	21144292	1	* Cover	

D3-110I-D, D3-110I-E, D3-110I-F, D3-140I-E, D3-140I-F, D3-150I-D, D3-140A-D, D3-140A-E, D3-140A-F, D3-150I-E, D3-150I-F, D3-170I-D, D3-170I-E, D3-170I-F, D3-170A-D, D3-170A-E, D3-170A-F, D3-200I-D, D3-200I-E, D3-200I-F, D3-200A-D, D3-200A-E, D3-200A-F, D3-220I-D, D3-220I-E, D3-220I-F, D3-220A-D, D3-220A-E, D3-220A-F

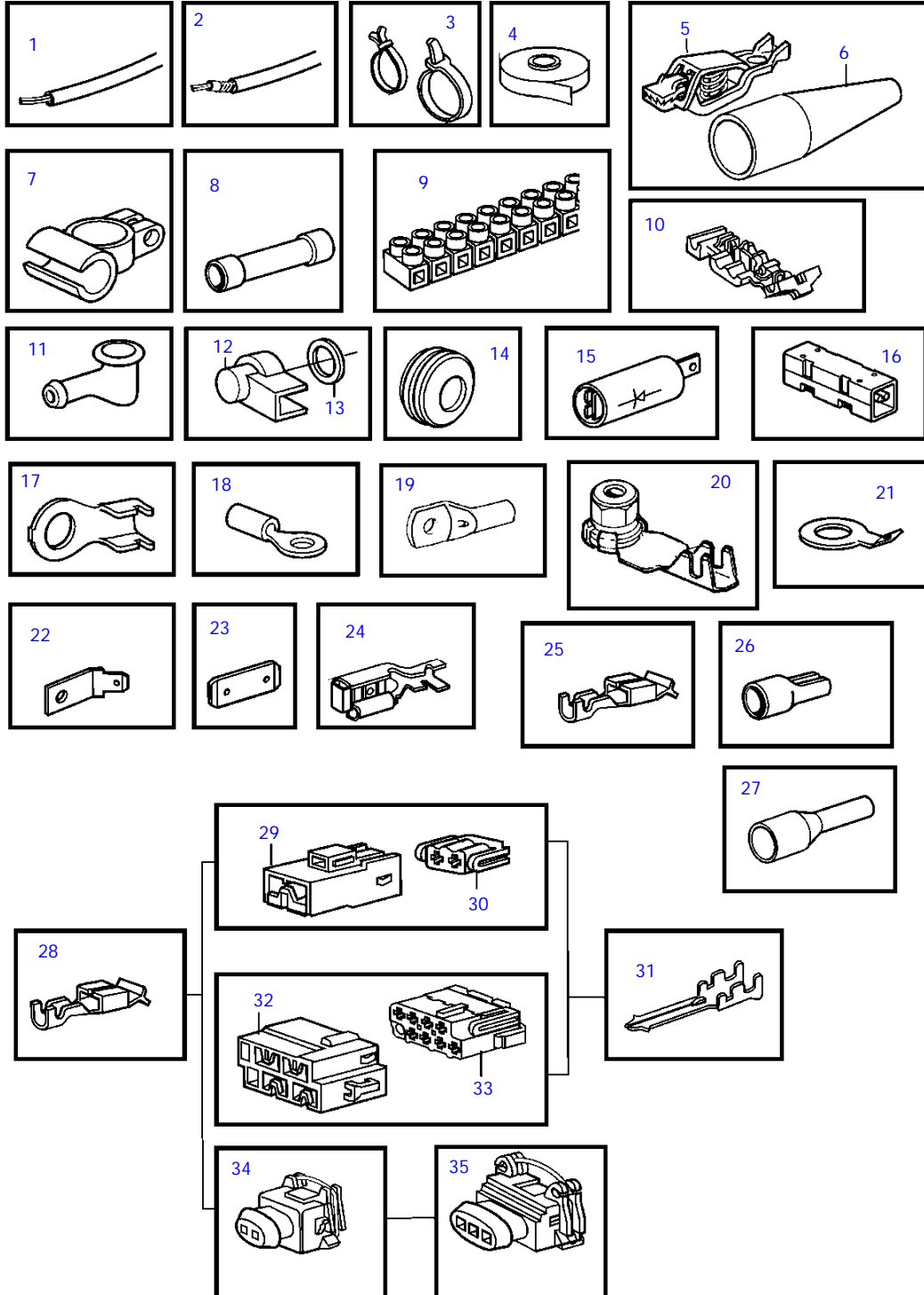


24824

D3-110I-D, D3-110I-E, D3-110I-F, D3-140I-E, D3-140I-F, D3-150I-D, D3-140A-D, D3-140-A-E, D3-140A-E, D3-140A-F, D3-150I-E, D3-150I-F, D3-170I-D, D3-170I-E, D3-170I-F, D3-170A-D, D3-170A-E, D3-170A-F, D3-200I-D, D3-200I-E, D3-200I-F, D3-200A-D, D3-200A-E, D3-200A-F, D3-220I-D, D3-220I-E, D3-220I-F, D3-220A-D, D3-220A-E, D3-220A-F

REF	PART NO.	QTY	DESCRIPTION	NOTES
1	21323189	1	Sensor	
2	837772	1	* Position sensor	
3		1	* * Screw	not sold separately
		2	* * Nut	not sold separately
		2	* * Lock washer	not sold separately
4	955132	3	* Cross recessed screw	
5	955891	3	* Washer	
6	3863388	1	* Arm	
7	946704	1	* Ball socket	Left hand threads
	946703	1	* Ball socket	Right hand threads
8	942836	1	* Hexagon nut	Left hand threads
	955780	1	* Hexagon nut	Right hand threads
9	943549	1	* Control rod	
10	21319346	1	* Ball stud	
11	863944	1	Rudder indicator	
	873207	1	* Brace kit	
		2	* * Nut	
		2	* Spacer	
12	863945	1	* Lamp socket	
13	863946	1	* Bulb	
14	858643	1	Front ring	
15		X	Connector	

D3-110I-D, D3-110I-E, D3-110I-F, D3-140I-E, D3-140I-F, D3-150I-D, D3-140A-D, D3-140A-E, D3-140A-F, D3-150I-E, D3-150I-F, D3-170I-D, D3-170I-E, D3-170I-F, D3-170A-D, D3-170A-E, D3-170A-F, D3-200I-D, D3-200I-E, D3-200I-F, D3-200A-D, D3-200A-E, D3-200A-F, D3-220I-D, D3-220I-E, D3-220I-F, D3-220A-D, D3-220A-E, D3-220A-F

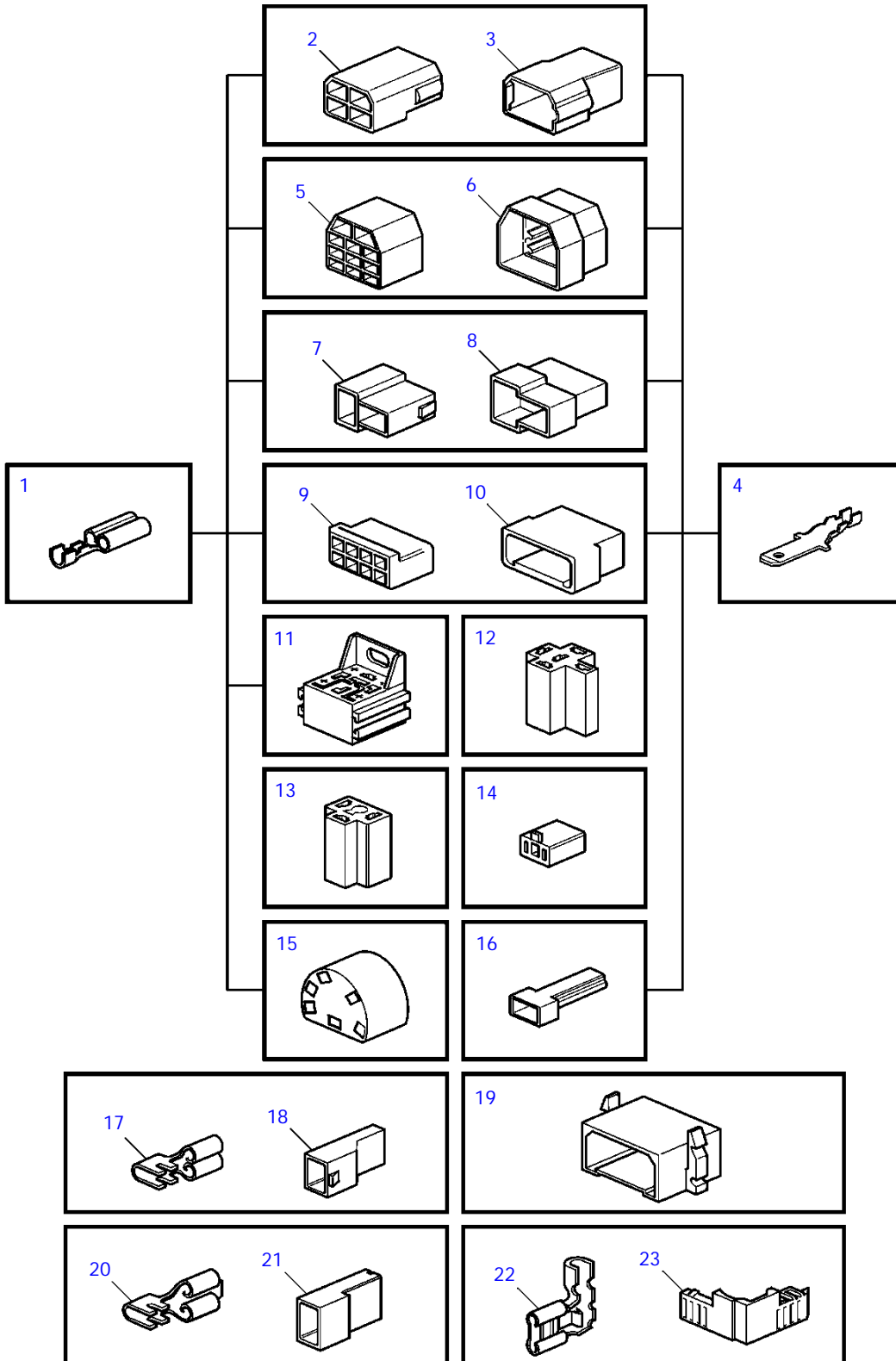


18567

D3-110I-D, D3-110I-E, D3-110I-F, D3-140I-E, D3-140I-F, D3-150I-D, D3-140A-D, D3-140-A-E, D3-140A-E, D3-140A-F, D3-150I-E, D3-150I-F, D3-170I-D, D3-170I-E, D3-170I-F, D3-170A-D, D3-170A-E, D3-170A-F, D3-200I-D, D3-200I-E, D3-200I-F, D3-200A-D, D3-200A-E, D3-200A-F, D3-220I-D, D3-220I-E, D3-220I-F, D3-220A-D, D3-220A-E, D3-220A-F

REF	PART NO.	DESCRIPTION	NOTES
1	970624	Electric cable, type RK	1,5mm ² , black
	970626	Electric cable, type RK	1,5mm ² , red
	970661	Electric cable, type R2	1,5mm ² , red
	(970663)	Electric cable, type R2	Obsolete part, 2,5mm ² , black
	970698	Electric cable, type R2	2,5mm ² , red
	970700	Electric cable, type RK	4,0mm ² , black
	(970709)	Electric cable, type RK	Obsolete part, 6,0mm ² , black
	970711	Electric cable, type R2	6,0mm ² , red
	954485	Electric cable, type RK	16,0mm ² , red
	(954500)	Electric cable, type RK	Obsolete part, 25,0mm ² , red
	954502	Electric cable, type RK	35,0mm ² , red
2	874854	Power cable	Non reinforced ship cable approved by classification societies., 2x1,5mm ²
	(863657)	Cable	Obsolete part, Reinforced ship cable approved by classification societies., 4,0mm ² , red
	874855	Power cable	Non reinforced ship cable approved by classification societies., 2x2,5mm ²
	(842092)	Cable	Obsolete part, Non reinforced ship cable approved by classification societies., 3x1,5mm ²
	(874858)	Power cable	Obsolete part, Non reinforced ship cable approved by classification societies., 6,0mm ² , black
	(842090)	Cable	Obsolete part, Non reinforced ship cable approved by classification societies., 16,0mm ² , red
	874861	Power cable	Non reinforced ship cable approved by classification societies., 25,0mm ² , red
	874862	Power cable	Non reinforced ship cable approved by classification societies., 35,0mm ² , red
	846639	Electric cable	Non reinforced ship cable approved by classification societies., 2x1,5mm ²
	874870	Power cable	Non reinforced ship cable approved by classification societies., 2x1,5mm ²
	872679	Wiring harness	(846346)
	872939	Adapter	(846346)
	(874346)	Electric cable	Obsolete part, Reinforced ship cable approved by classification societies., RFOU 0,6/1kv
3	948211	Cable tie	3x1,5mm ²
	949666	Cable tie, with mount. Hole	3x4,0mm ²
	948616	Cable tie	3x6,0mm ²
	862832	Cable tie, steel	4x1,5mm ²
4	858283	Tape	4x2,5mm ²
5	844280	Clip, battery cable +pole	16x1,5mm ²
6	(844278)	Isolation	Obsolete part, Red
	(844279)	Isolation	Obsolete part, Black
7	954505	Cable terminal, battery cable -pole	D=77mm L=280mm
	954506	Cable terminal, battery cable +pole	D=42mm L=170mm
8	956956	Splice	D=102mm L=362mm
	956958	Splice	1,5-2,5mm ² , blue
	956960	Splice	L=61mm
9	926219	Coupling piece	Black
10	944306	Connector	Blue
11	829200	Protective cap	0,5-1,0mm ² , red
12	(1234326)	Protecting casing	Obsolete part, 1,5-2,5mm ² , blue
13	960140	Washer	3-6mm ² , yellow
14	941269	Plug	Max 20mm ² , 12-pole
	821053	Protecting bushing	I.D=35mm
	943920	Plug	I.D=40mm
15		Diode	
16		Diode	
17	970788	Cable terminal	M5x1,1-2,5mm ²
	970789	Cable terminal	M6x1,1-2,5mm ²
	(970791)	Cable terminal	Obsolete part, M10x1,1-2,5mm ²
18	881492	Cable terminal	M4x1,1-2,5mm ²
	881493	Cable terminal	M5x1,1-2,5mm ²
	881508	Cable terminal	M6x1,1-2,5mm ²
	881494	Cable terminal	M8x1,1-2,5mm ²
	881504	Cable terminal	M10x1,1-2,5mm ²
	881506	Cable terminal	M4x2,6-6,0mm ²
	881495	Cable terminal	M5x2,6-6,0mm ²
	881496	Cable terminal	M6x2,6-6,0mm ²
	881497	Cable terminal	M8x2,6-6,0mm ²
	881498	Cable terminal	M10x2,6-6,0mm ²
	940331	Cable terminal	M5x6,1-10,0mm ²
	940332	Cable terminal	M6x6,1-10,0mm ²
	940333	Cable terminal	M8x6,1-10,0mm ²
	(940334)	Cable terminal	Obsolete part, M10x6,1-10,0mm ²
	881512	Cable terminal	M5x10,1-16,0mm ²
	940335	Cable terminal	M6x10,1-16,0mm ²
	940336	Cable terminal	M8x10,1-16,0mm ²
	940337	Cable terminal	M10x10,1-16,0mm ²
19	949587	Cable terminal	M10x10mm ²
20	8140576	Nut	M4
21	865758	Cable terminal	I.D=12,5 D=23mm
22	944485	Cable terminal	6,3xM5x180
23	839328	Tab	16,3x6,3x0,8
24	881491	Cable terminal	6,3x0,75-2,1mm ²
25	853015	Cable terminal	For trim instrument., For 853866, Yasaki
26	942429	Cable terminal	For 853866, Yasaki
27	3829867	Cable terminal	
	3829868	Cable terminal	
28	970777	Cable terminal	
29	968377	Housing	2,8x2 natural
	968379	Housing	2,8x2 gray
30	968376	Housing	4,8/2,8x2 natural
	968378	Housing	4,8/2,8x2 gray
31	974313	Cable terminal	2,8x0,8x1,1-2,5mm ²
32	968401	Housing	2,8x8 natural
33	968400	Housing	4,8/2,8x8 natural
34	976256	Housing	2-pole
35	967713	Housing	3-pole

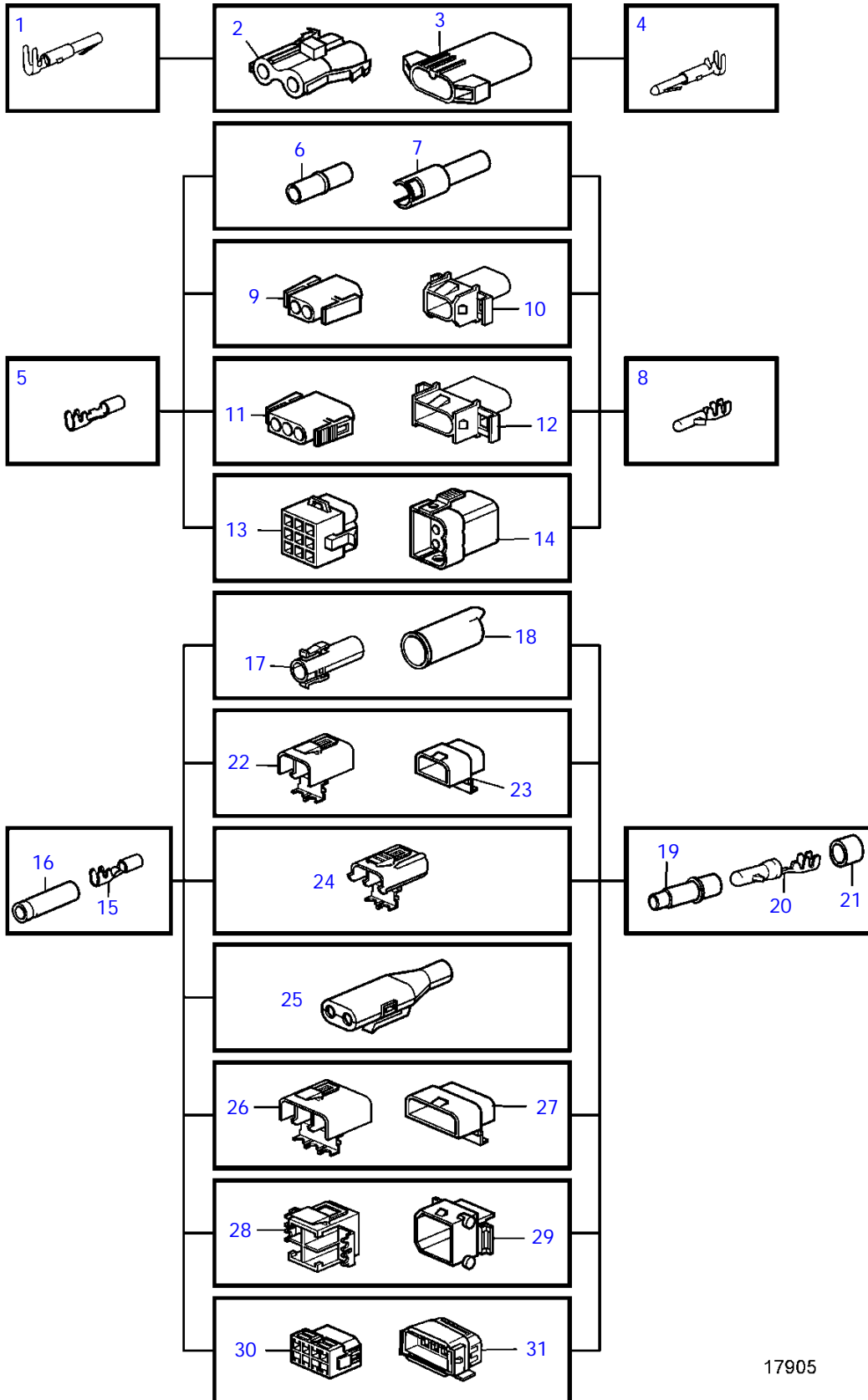
D3-110I-D, D3-110I-E, D3-110I-F, D3-140I-E, D3-140I-F, D3-150I-D, D3-140A-D, D3-140A-E, D3-140A-F, D3-150I-E, D3-150I-F, D3-170I-D, D3-170I-E, D3-170I-F, D3-170A-D, D3-170A-E, D3-170A-F, D3-200I-D, D3-200I-E, D3-200I-F, D3-200A-D, D3-200A-E, D3-200A-F, D3-220I-D, D3-220I-E, D3-220I-F, D3-220A-D, D3-220A-E, D3-220A-F



D3-110I-D, D3-110I-E, D3-110I-F, D3-140I-E, D3-140I-F, D3-150I-D, D3-140A-D, D3-140-A-E, D3-140A-E, D3-140A-F, D3-150I-E, D3-150I-F, D3-170I-D, D3-170I-E, D3-170I-F, D3-170A-D, D3-170A-E, D3-170A-F, D3-200I-D, D3-200I-E, D3-200I-F, D3-200A-D, D3-200A-E, D3-200A-F, D3-220I-D, D3-220I-E, D3-220I-F, D3-220A-D, D3-220A-E, D3-220A-F

REF	PART NO.	DESCRIPTION	NOTES
1	973150	Cable terminal	6,3x0,8x1,1-2,5mm ²
	949206	Cable terminal	6,3x0,8x4,0-6,0mm ²
2	948856	Housing	6,3x4 natural
3	948855	Housing	6,3x4 natural
4	973117	Cable terminal	6,3x0,8x0,5-1,0mm ²
	881487	Cable terminal	6,3x0,8x0,75-2,5mm ²
	881488	Cable terminal	6,3x0,8x4,0-6,0mm ²
5	945830	Housing	6,3x11 natural
6	945831	Tab housing	6,3x11 natural
7	958210	Housing	6,3x2 black
8	958209	Housing	6,3x2 black
9	944076	Housing	6,3x8 natural
10	948857	Housing	6,3x8 natural
11	977184	Housing	6,3x5x4,8/2,8x4
12	1214948	Housing	6,3x5 black
13	945469	Housing	6,3x3 black
14	1578937	Housing	6,3x2 natural
15	828624	Receptacle housing	6,3x6
16		Housing	6,3x1 black
17	949405	Cable terminal	4,8x1,1-2,5mm ²
18	947848	Housing	4,8x1 natural
19	944077	Housing	6,3x8 natural
20	881483	Cable terminal	6,3x0,8x1,1-2,5mm ²
	881484	Cable terminal	6,3x0,8x4,0-6,0mm ²
21	949597	Housing	6,3x1 natural
	943511	Housing	6,3x1 natural
22	881489	Cable terminal	6,3x0,8x1,1-2,5
23	944221	Housing	6,3x1 natural

D3-110I-D, D3-110I-E, D3-110I-F, D3-140I-E, D3-140I-F, D3-150I-D, D3-140A-D, D3-140A-E, D3-140A-F, D3-150I-E, D3-150I-F, D3-170I-D, D3-170I-E, D3-170I-F, D3-170A-D, D3-170A-E, D3-170A-F, D3-200I-D, D3-200I-E, D3-200I-F, D3-200A-D, D3-200A-E, D3-200A-F, D3-220I-D, D3-220I-E, D3-220I-F, D3-220A-D, D3-220A-E, D3-220A-F

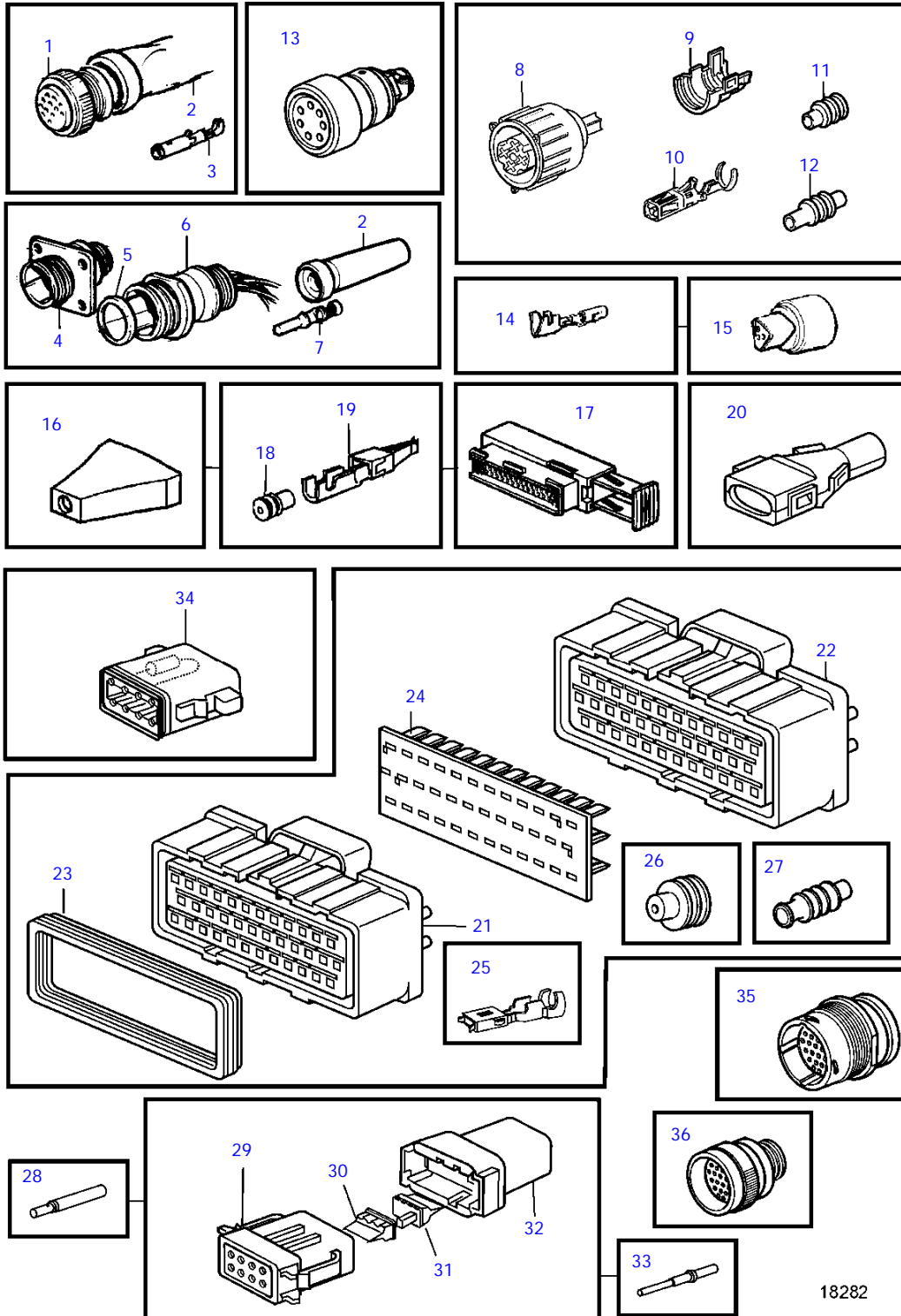


17905

D3-110I-D, D3-110I-E, D3-110I-F, D3-140I-E, D3-140I-F, D3-150I-D, D3-140A-D, D3-140-A-E, D3-140A-E, D3-140A-F, D3-150I-E, D3-150I-F, D3-170I-D, D3-170I-E, D3-170I-F, D3-170A-D, D3-170A-E, D3-170A-F, D3-200I-D, D3-200I-E, D3-200I-F, D3-200A-D, D3-200A-E, D3-200A-F, D3-220I-D, D3-220I-E, D3-220I-F, D3-220A-D, D3-220A-E, D3-220A-F

REF	PART NO.	DESCRIPTION	NOTES
1	946038	Cable terminal	2,1x0,5-1mm ²
2	944224	Housing	2-pole
3	944223	Housing	2-pole
4		Cable terminal	Not marketed by Volvo Penta., 2,1x0,5-1mm ²
5	965822	Cable terminal	3,5x1,1-2,5mm ²
	948289	Cable terminal	3,5x2,5-4,0mm ²
6	949584	Housing	3,5x1 natural
7	949583	Housing	3,5x1 natural
8	969831	Cable terminal	3,5x0,5-1mm ²
	965824	Cable terminal	3,5x1,1-2,5mm ²
	965825	Cable terminal	3,5x2,6-4,0mm ²
9	948996	Housing	3,5x2 natural
10	948995	Housing	3,5x2 natural
11	948296	Housing	3,5x3 natural
12	948297	Housing	3,5x3 natural
13	948294	Housing	3,5x9 natural
14	948295	Housing	3,5x9 natural
15	949371	Cable terminal	3,5x0,75-1,5mm ²
	1598753	Insulator	3,5x2,5-4,5mm ²
16	1598753	Insulator	
17	1307035	Housing	1-pole
18	1308436	Housing	1-pole
19	1608765	Insulator	
20	965824	Cable terminal	3,5x2,5-4,5mm ²
21	1608766	Seal	
22	1307048	Housing	2-pole
23	1307049	Housing	2-pole
24	970753	Housing	2-pole
25	1624477	Housing	2-pole
26	1259828	Housing	3-pole
27	3523442	Pin housing	3-polig (1259829)
28	1259830	Housing	4-pole
29	1259831	Housing	4-pole
30	966812	Housing	8-pole
31	967809	Housing	8-pole

D3-110I-D, D3-110I-E, D3-110I-F, D3-140I-E, D3-140I-F, D3-150I-D, D3-140A-D, D3-140A-E, D3-140A-F, D3-150I-E, D3-150I-F, D3-170I-D, D3-170I-E, D3-170I-F, D3-170A-D, D3-170A-E, D3-170A-F, D3-200I-D, D3-200I-E, D3-200I-F, D3-200A-D, D3-200A-E, D3-200A-F, D3-220I-D, D3-220I-E, D3-220I-F, D3-220A-D, D3-220A-E, D3-220A-F

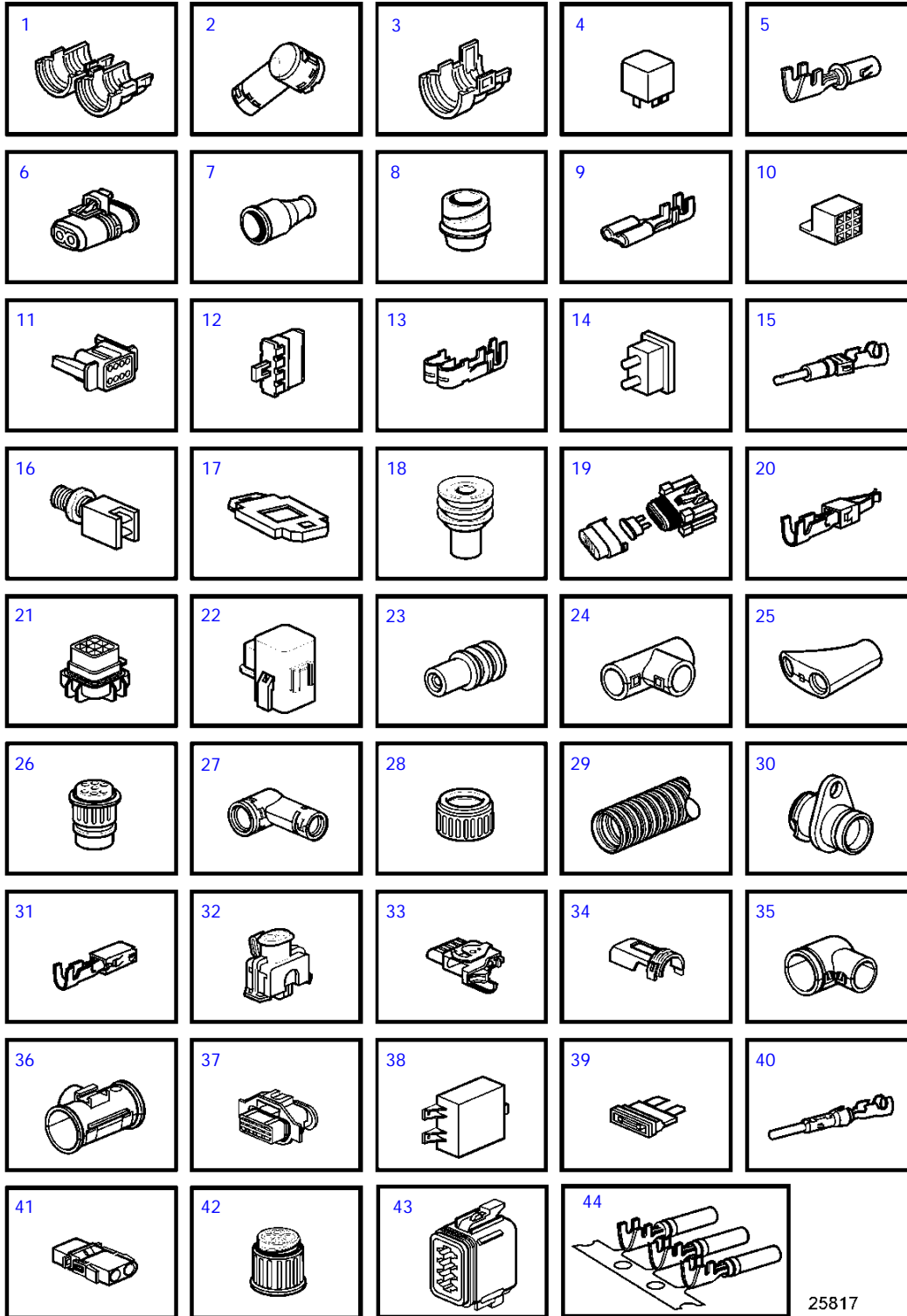


18282

D3-110I-D, D3-110I-E, D3-110I-F, D3-140I-E, D3-140I-F, D3-150I-D, D3-140A-D, D3-140-A-E, D3-140A-E, D3-140A-F, D3-150I-E, D3-150I-F, D3-170I-D, D3-170I-E, D3-170I-F, D3-170A-D, D3-170A-E, D3-170A-F, D3-200I-D, D3-200I-E, D3-200I-F, D3-200A-D, D3-200A-E, D3-200A-F, D3-220I-D, D3-220I-E, D3-220I-F, D3-220A-D, D3-220A-E, D3-220A-F

REF	PART NO.	DESCRIPTION	NOTES
1	846612	Housing	16-pole
2	847005	Sealing collar	L=100mm D=20mm
3	849959	Cable terminal	
4	846611	Housing	16-pole
5	846615	Sealing ring	
6	846647	Block	16-pole
7	849958	Cable terminal	1,6x0,5-1,5mm ²
8	8159013	Housing	4-pole
9		Adapter	
10	8155901	Cable terminal	
11	8155900	Cable seal	
12	8155899	Sealing plug	
13	1618737	Switch	7-pole
14	853521	Cable terminal	
15	(853498)	Anode kit	Obsolete part, 3-pole
16	873632	Protecting sleeve	
17	9148263	Housing	42-pole
18	970772	Cable seal	1,2-2,1mm ² blue
	9148107	Seal	1,4-2,0 grey
	25325008	Cable seal	2,2-3mm ² white
19	9148135	Switch	1,6x0,5-1mm ²
	970778	Cable terminal	4,8/2,8x0,5-1mm ²
	970779	Cable terminal	4,8/2,8x1,1-2,5mm ²
20	8142100	Adapter	
21	977532	Housing	24-pole black
22	977897	Housing	24-poliq red
23		• Seal	
24	977533	Insulator retainer	
25	977539	Cable terminal	
26	1079234	Seal	Brown
27	977540	Cable seal	Gray
28	874146	Cable terminal	
29	874142	Housing	8-pole
30	874144	Wedge	Orange
31	874145	Wedge	Orange
32	874143	Housing	8-pole
33	874147	Cable terminal	
34	874271	Resistor, end terminator	
35	874112	Connector unit	From control panel to engine. 23-pole.
36	874092	Connector unit	From engine to control panel. 23-pole.

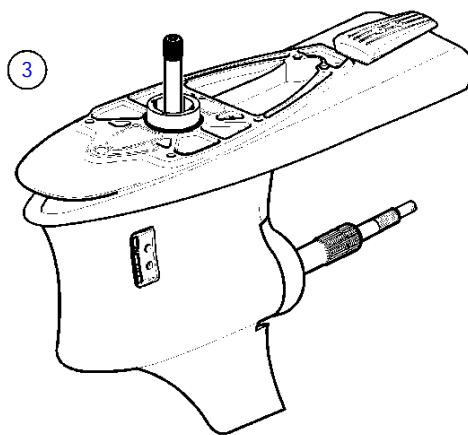
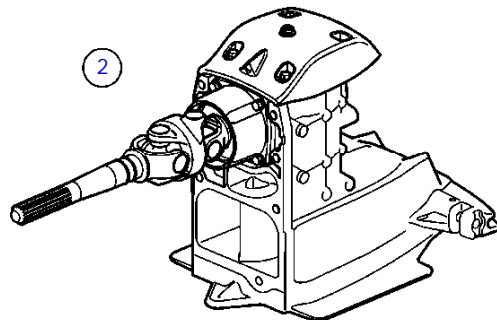
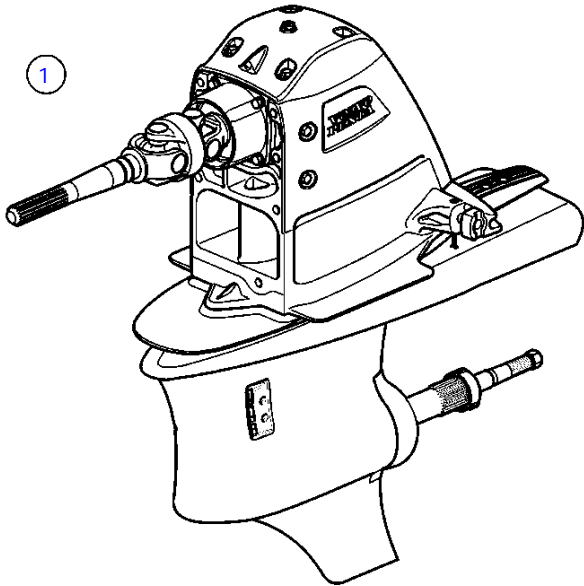
D3-110I-D, D3-110I-E, D3-110I-F, D3-140I-E, D3-140I-F, D3-150I-D, D3-140A-D, D3-140A-E, D3-140A-F, D3-150I-E, D3-150I-F, D3-170I-D, D3-170I-E, D3-170I-F, D3-170A-D, D3-170A-E, D3-170A-F, D3-200I-D, D3-200I-E, D3-200I-F, D3-200A-D, D3-200A-E, D3-200A-F, D3-220I-D, D3-220I-E, D3-220I-F, D3-220A-D, D3-220A-E, D3-220A-F



25817

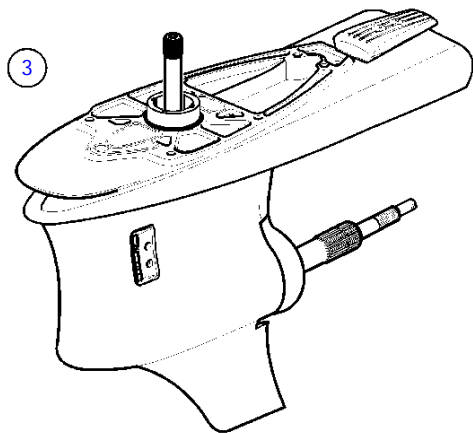
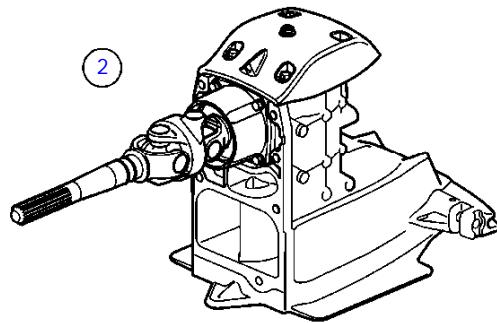
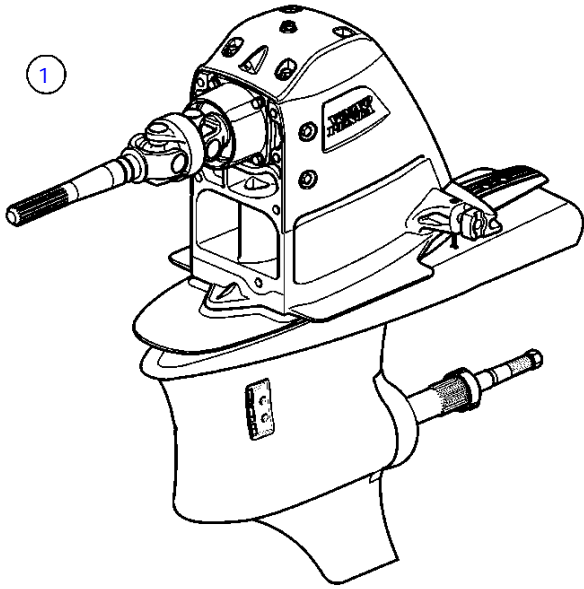
D3-110I-D, D3-110I-E, D3-110I-F, D3-140I-E, D3-140I-F, D3-150I-D, D3-140A-D, D3-140-A-E, D3-140A-E, D3-140A-F, D3-150I-E, D3-150I-F, D3-170I-D, D3-170I-E, D3-170I-F, D3-170A-D, D3-170A-E, D3-170A-F, D3-200I-D, D3-200I-E, D3-200I-F, D3-200A-D, D3-200A-E, D3-200A-F, D3-220I-D, D3-220I-E, D3-220I-F, D3-220A-D, D3-220A-E, D3-220A-F

REF	PART NO.	QTY	DESCRIPTION	NOTES
1	3985597	1	Adapter	L=32mm
	3985620	1	Adapter	
2	3987768	2	Adapter	
3	8159018	2	Adapter	
4	3171420	1	Relay	
5	20375186	12	Cable terminal	
	3963409	3	Cable terminal	
	3986767	X	Cable terminal	O.D=0,3mm
	11039671	3	Cable terminal	
6	20409386	6	Insulator	
7	11039397	1	End sleeve	
8	1079283	1	Cover	
9	973122	5	Cable terminal	
10	973121	1	Cable terminal	
11	874114	1	Insulator	
12	874115	1	Wedge	
13	874220	2	Cable terminal	
14	874250	2	Pin	For 874114
15	874033	6	Cable terminal	
	192396	X	Cable terminal	
16	873959	1	Breaker	Stop
17	873944	1	Retainer	For fuse 980555
18	873854	2	Sealing sleeve	
19	874111	1	Fuse holder	10 amp
20	3587154	3	Cable terminal	
	3587151	1	Cable terminal	
21	3587172	1	Relay socket	
22	3587173	1	Relay box	Replaced by 21494263
	21494263	1	Relay box	
23	3587461	X	Sealing plug	
	3587158	1	Sealing wire	
	3587170	3	Sealing wire	
	970771	X	Cable seal	I.D=3,4mm Y.D=6,0mm
	8159012	X	Sealing	I.D=0,1mm Y.D=3,9mm
24	9806110	2	Coupling piece	
	3171511	X	Coupling piece	D=10mm
	3171768	X	Manifold	D=13mm
	7807398	1	Coupling piece	
	7807403	1	Coupling piece	
25	3943200	2	Manifold	L=68,8mm
	3986692	1	Manifold	
	3987598	1	Manifold	L=48,2mm
	3988390	1	Manifold	L=57,9mm
	3986692	1	Manifold	
26	3963412	1	Housing	
27	3985598	1	Adapter	D=25,8mm
	3987766	2	Adapter	D=24mm
28	8141886	1	Adapter	D=22mm
29	874558	X	Hose	I.D=8,5mm
	874559	X	Hose	I.D=10mm
	874560	X	Hose	I.D=13mm
	874561	X	Hose	I.D=17mm
	874562	X	Hose	I.D=22mm
	874563	X	Hose	I.D=26mm
30	20429993	1	Pass-through	
31	8155903	X	Cable terminal	
32	874368	1	Receptacle housing	
33	20429872	1	Housing	
34	20429873	X	Insulator cover	
35	20450150	1	Adapter	
36	3943090	X	Manifold	
37	874456	1	Receptacle housing	
38	881788	X	Cable terminal	
	3842462	1	Voltage converter	12V, D3-D,E,F
39	969161	1	Fuse	10A
40	984945	X	Cable terminal	(3963408)
41	948995	1	Housing	
42	8159013	X	Housing	
43	874091	X	Housing	8-pole
44	874251	X	Cable terminal	Terminal socket



22892

REF	PART NO.	QTY	DESCRIPTION	NOTES
1	3883606	1	Drive unit, DPS-A	1.68:1
	3883607	1	Drive unit, DPS-A	1.78:1
	3883609	1	Drive unit, DPS-A	1.95:1
	3801211	1	Aquamatic drive, exc, DPS-A, exch	1.95:1
	3883610	1	Drive unit, DPS-A	2.32:1
	3883624	1	Drive unit, DPS-A	2.11:1
	3801212	1	Aquamatic drive, exc, DPS-A, exch	2.11:1
	3869463	1	Drive, DPS-A	2.14:1
2	3842918	1	* Upper gear, complete	SX 1.43, 1.51, 1.60, 1.66, DPS 1.68, 1.78, 1.95
	3801213	1	* Upper gear, exch, complete, exch	SX 1.43, 1.51, 1.60, 1.66, DPS 1.68, 1.78, 1.95
	3842919	1	* Upper gear, complete	SX 1.79, 1.89, 1.97, 2.18, DPS 2.11, 2.32
	3801214	1	* Upper gear, exch, complete, exch	SX 1.79, 1.89, 1.97, 2.18, DPS 2.11, 2.32
	21591372	1	* Upper gear, complete	DPS-A, 2.14:1
3	3842843	1	* Gear housing, complete	1.68:1
	3842842	1	* Gear housing, complete	2.11:1 & 1.78:1
	3801217	1	* Lower gear, exch, complete, exch	2.11:1 & 1.78:1
	3842844	1	* Gear housing, complete	2.32:1, 2.14:1, 1.95:1
	3801218	1	* Lower gear, exch, complete, exch	2.32:1, 2.14:1, 1.95:1



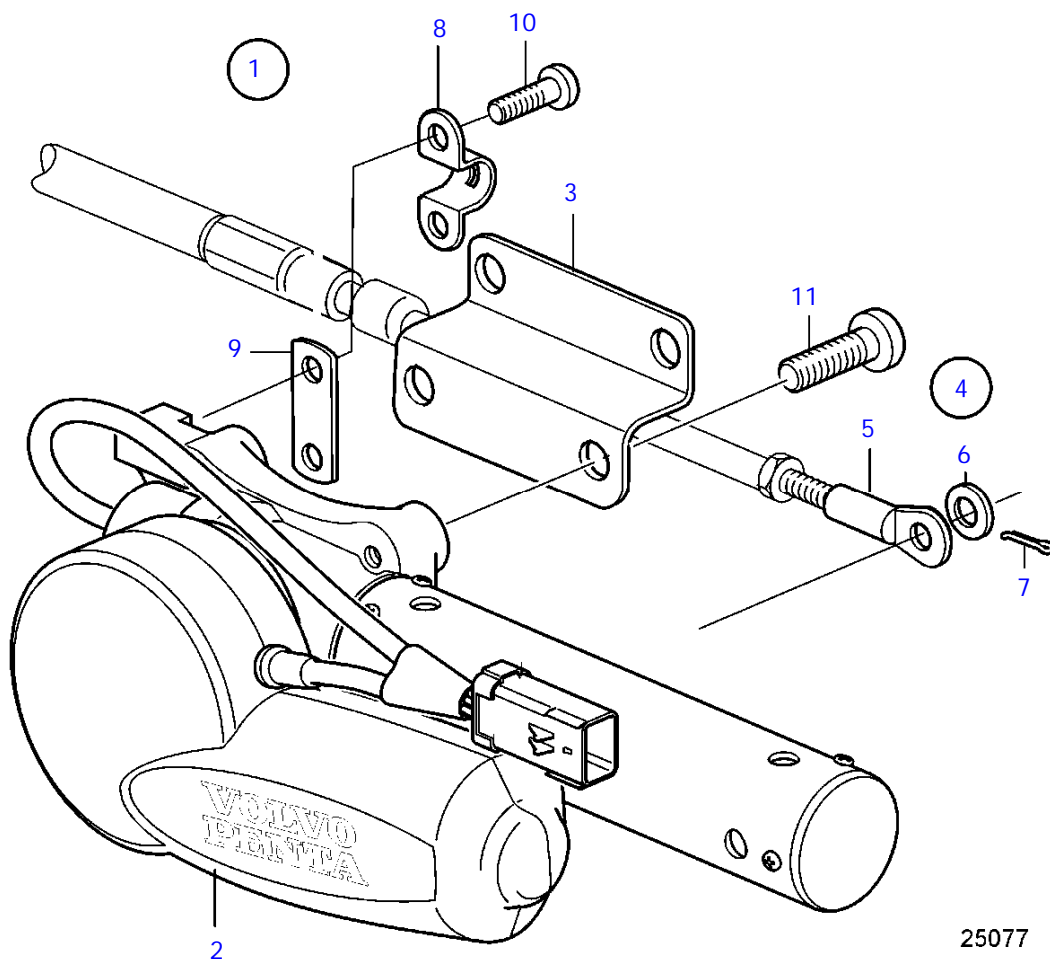
22892

--

REF	PART NO.	QTY	DESCRIPTION	NOTES
1	3869465	1	Drive	1.78:1
	3869466	1	Drive	1.95:1
	3869469	1	Drive	2.14:1
2	21592054	1	* Upper gear, complete	2.14:1
	21592053	1	* Upper gear, complete	1.78:1, 1.95:1
3	21595262	1	* Gear housing, complete	1.78:1
	21595268	1	* Gear housing, complete	2.14:1, 1.95:1



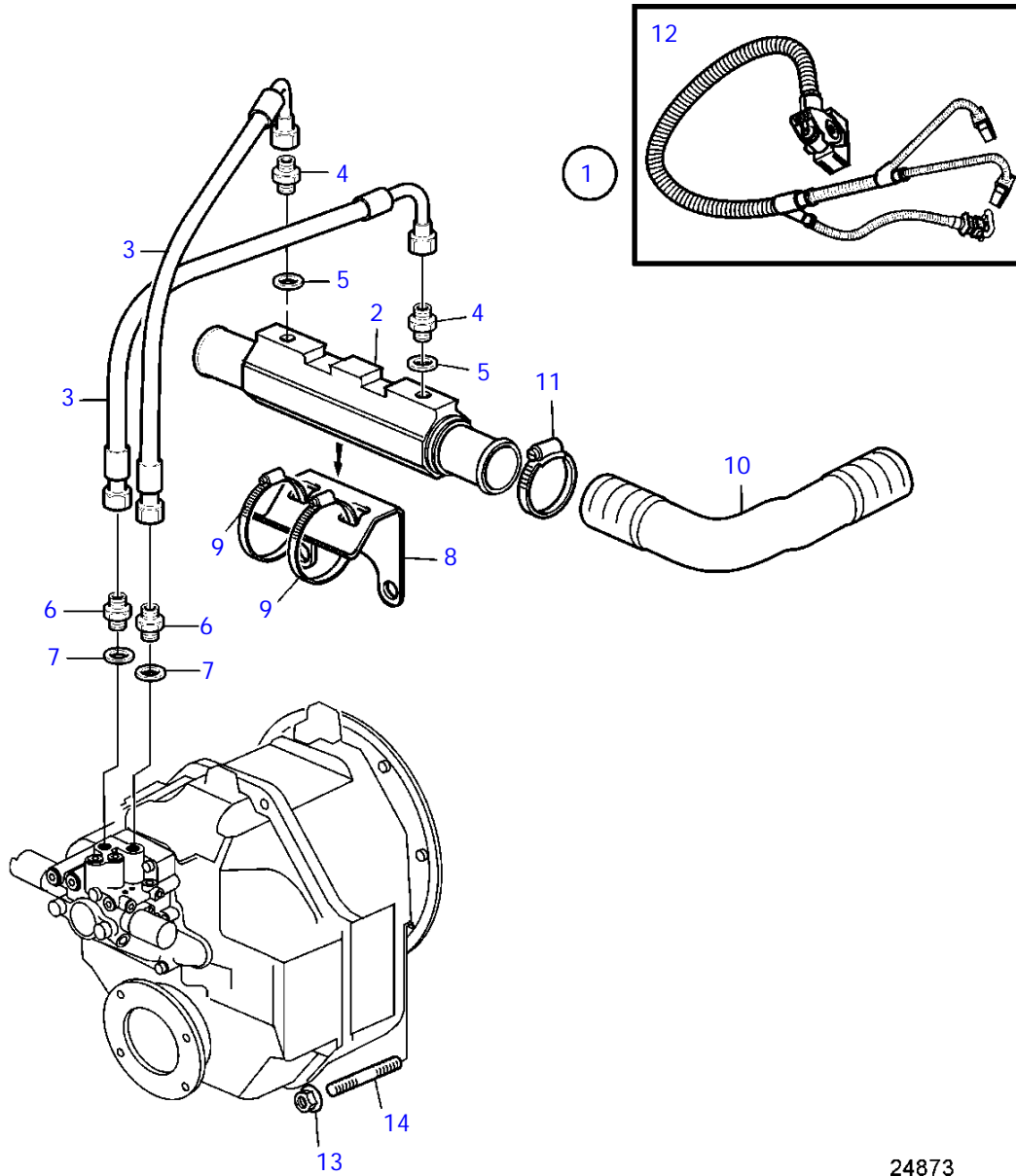
D3-140A-D, D3-140A-E, D3-140A-F, D3-170A-D, D3-170A-E, D3-170A-F, D3-200A-D, D3-200A-E, D3-200A-F, D3-220A-D, D3-220A-E, D3-220A-F



D3-140A-D, D3-140A-E, D3-140A-F, D3-170A-D, D3-170A-E, D3-170A-F, D3-200A-D, D3-200A-E, D3-200A-F, D3-220A-D, D3-220A-E, D3-220A-F

REF	PART NO.	QTY	DESCRIPTION	NOTES
1		1	Kit	
2	3848712	1	* Shift motor	
3	21353263	1	* Bracket	
4		1	* Kit	
5	3850941	1	* * Adapter	
6	940191	1	* * Washer	
7	17253	1	* * Split pin	
8	21471054	1	* * Bracket	
9	819068	1	* * Washer	
10	973155	2	* * 6 point socket screw	M5x12mm
11	944435	4	Flange screw	

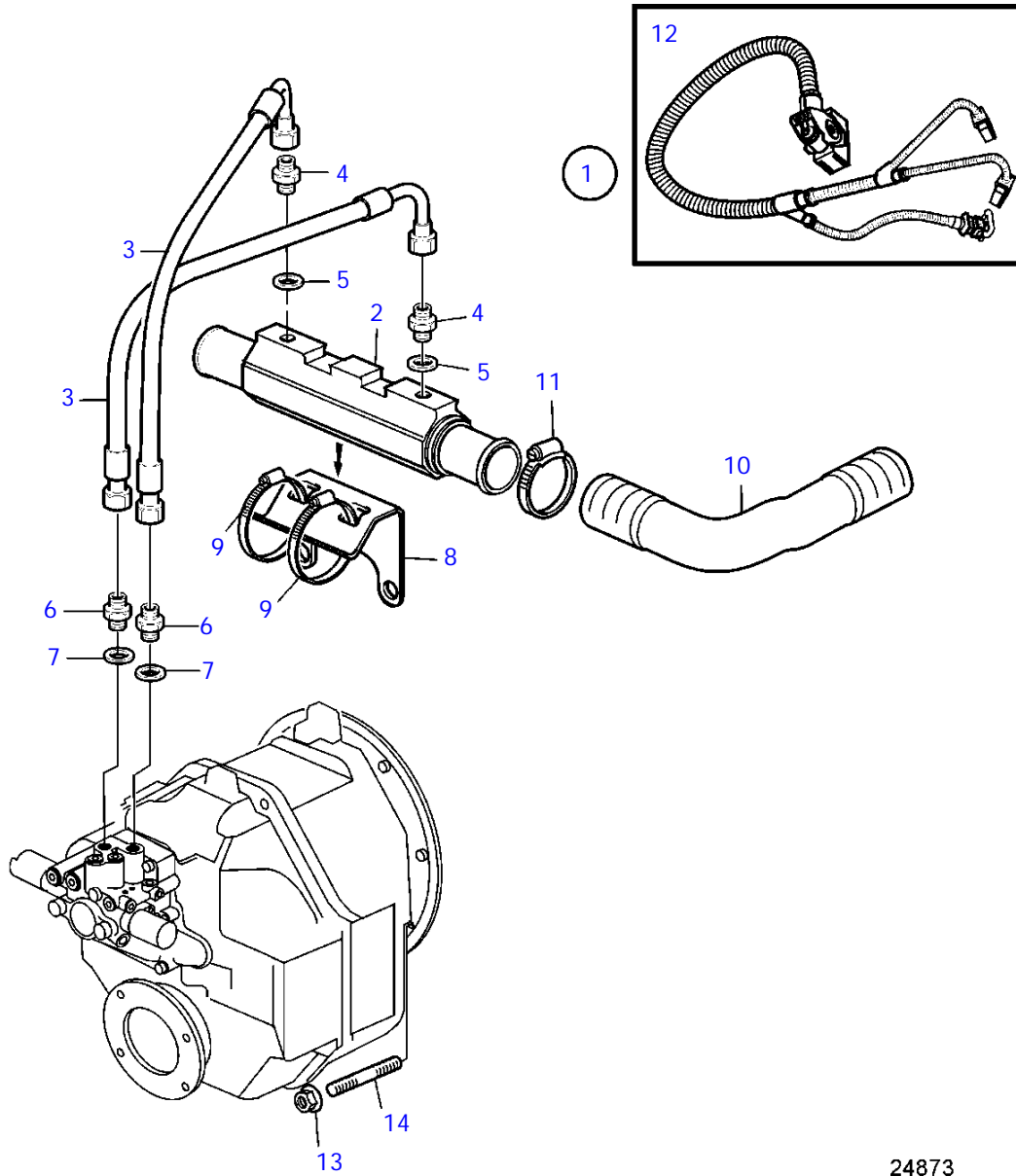
D3-110I-D, D3-110I-E, D3-110I-F, D3-140I-E, D3-140I-F, D3-150I-D, D3-150I-E, D3-150I-F, D3-170I-D, D3-170I-E, D3-170I-F, D3-200I-D, D3-200I-E, D3-200I-F, D3-220I-D, D3-220I-E, D3-220I-F



D3-110I-D, D3-110I-E, D3-110I-F, D3-140I-E, D3-140I-F, D3-150I-D, D3-150I-E, D3-150I-F, D3-170I-D, D3-170I-E, D3-170I-F, D3-200I-D, D3-200I-E, D3-200I-F, D3-220I-D, D3-220I-E, D3-220I-F

REF	PART NO.	QTY	DESCRIPTION
1		1	Installation kit
2	21149930	1	* Oil cooler
3	3584428	2	* Hose
4	963948	2	* Nipple
5	976930	2	* Gasket
6	941750	2	* Nipple
7	11978	2	* Washer
8	3584438	1	* Bracket
9	961673	2	* Hose clamp
10	21285072	1	* Hose
11	994561	4	* Hose clamp
12	40005753	1	* Wiring harness
13	971095	2	Flange nut
14	953067	4	Stud

D3-110I-D, D3-110I-E, D3-110I-F, D3-140I-E, D3-140I-F, D3-150I-D, D3-150I-E, D3-150I-F, D3-170I-D, D3-170I-E, D3-170I-F, D3-200I-D, D3-200I-E, D3-200I-F, D3-220I-D, D3-220I-E, D3-220I-F



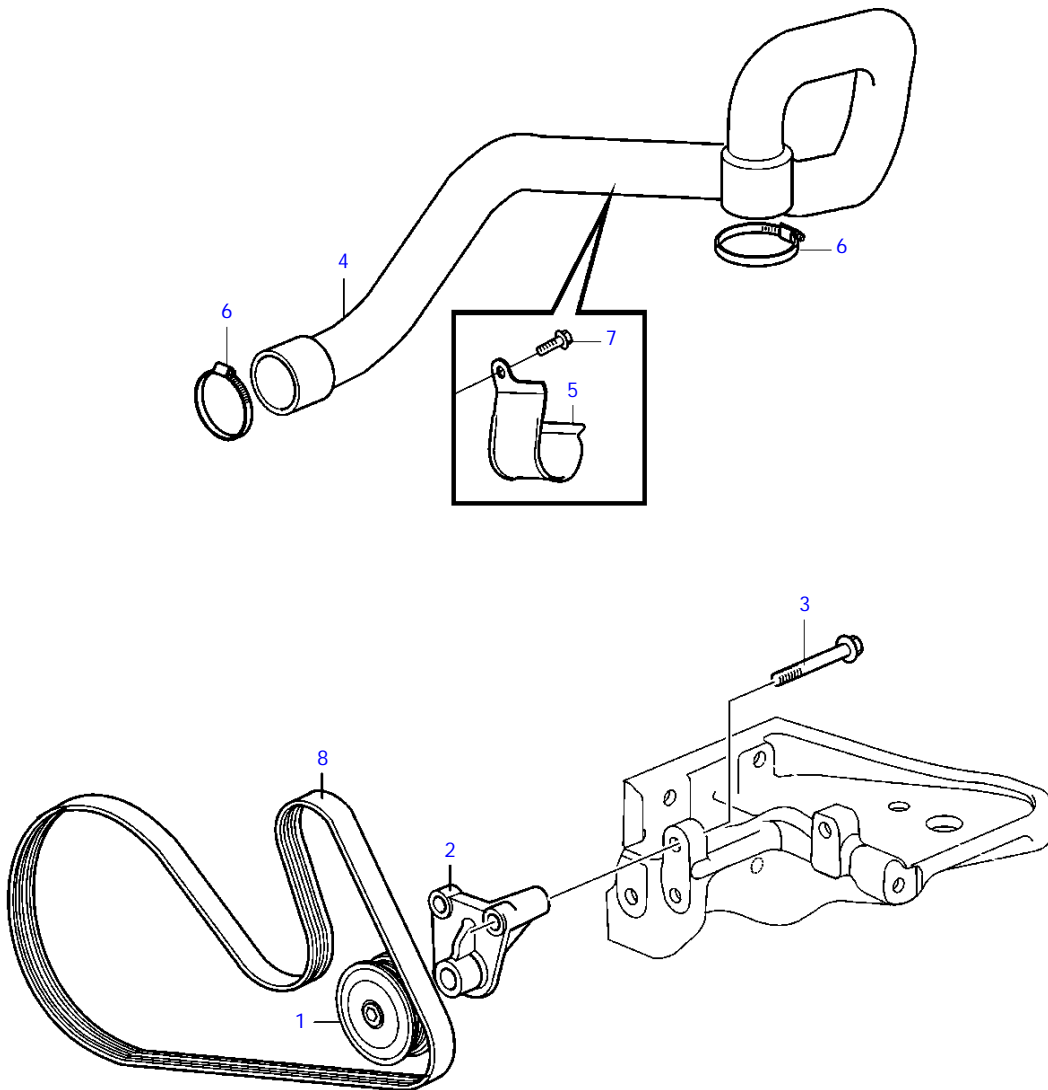
24873

D3-110I-D, D3-110I-E, D3-110I-F, D3-140I-E, D3-140I-F, D3-150I-D, D3-150I-E, D3-150I-F, D3-170I-D, D3-170I-E, D3-170I-F, D3-200I-D, D3-200I-E, D3-200I-F, D3-220I-D, D3-220I-E, D3-220I-F

REF	PART NO.	QTY	DESCRIPTION
1		1	Installation kit
2	21149930	1	* Oil cooler
3	3584428	2	* Hose
4	963948	2	* Nipple
5	976930	2	* Gasket
6	941750	2	* Nipple
7	11978	2	* Washer
8	3584439	1	* Bracket
9	961673	2	* Hose clamp
10	21285072	1	* Hose
11	994561	4	* Hose clamp
12	40005753	1	* Wiring harness
13	971095	4	Flange nut
14	953067	6	Stud
15	946752	10	Flange screw



D3-110I-D, D3-110I-E, D3-110I-F, D3-140I-E, D3-140I-F, D3-150I-D, D3-140A-D, D3-140A-E, D3-140A-F, D3-150I-E, D3-150I-F, D3-170I-D, D3-170I-E, D3-170I-F, D3-170A-D, D3-170A-E, D3-170A-F, D3-200I-D, D3-200I-E, D3-200I-F, D3-200A-D, D3-200A-E, D3-200A-F, D3-220I-D, D3-220I-E, D3-220I-F, D3-220A-D, D3-220A-E, D3-220A-F

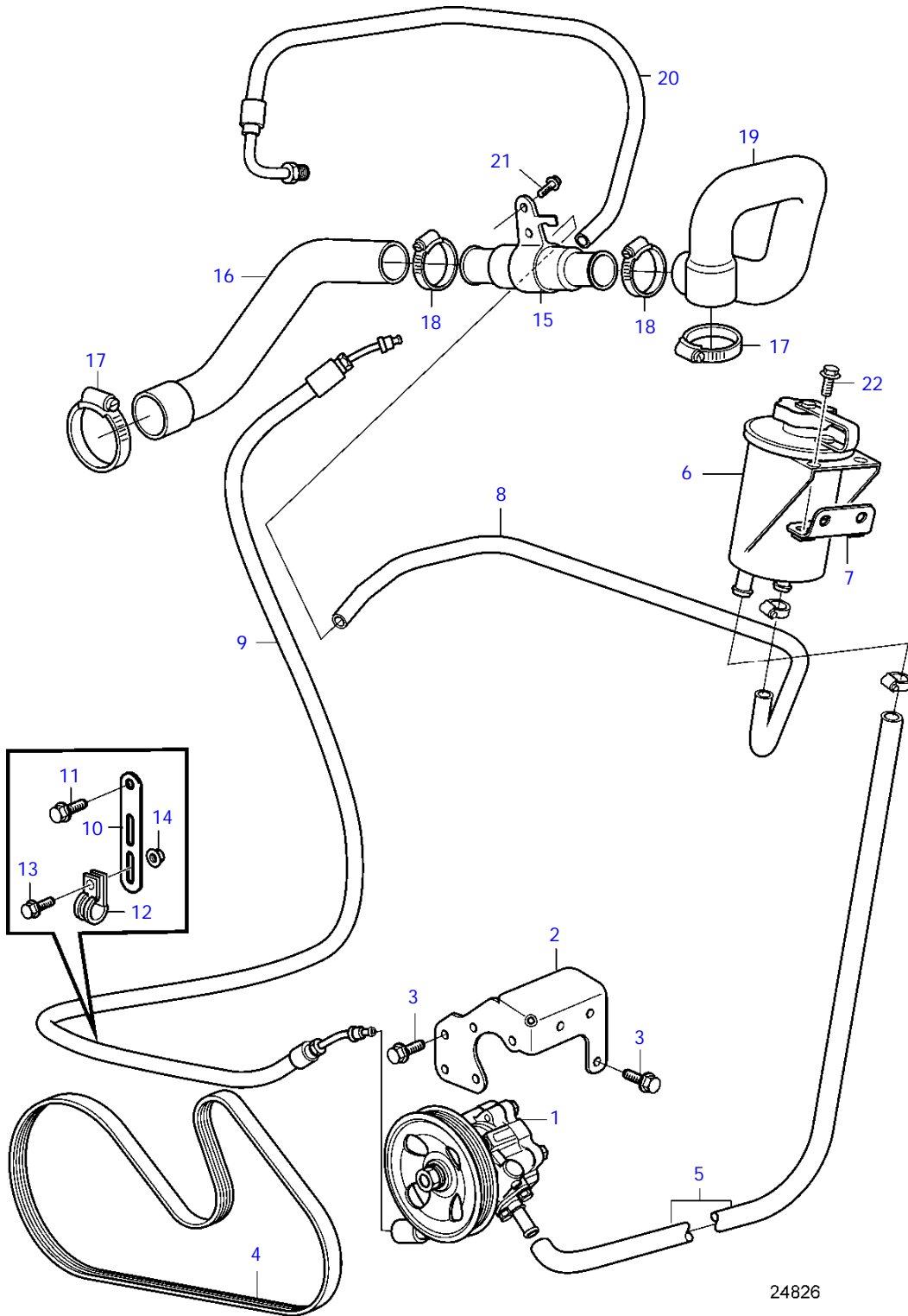


24882

D3-110I-D, D3-110I-E, D3-110I-F, D3-140I-E, D3-140I-F, D3-150I-D, D3-140A-D, D3-140A-E, D3-140A-F, D3-150I-E, D3-150I-F, D3-170I-D, D3-170I-E, D3-170I-F, D3-170A-D, D3-170A-E, D3-170A-F, D3-200I-D, D3-200I-E, D3-200I-F, D3-200A-D, D3-200A-E, D3-200A-F, D3-220I-D, D3-220I-E, D3-220I-F, D3-220A-D, D3-220A-E, D3-220A-F

REF	PART NO.	QTY	DESCRIPTION
1	21134362	1	Idler pulley
2	21294037	1	Adapter
3	946671	1	Flange screw
4	21166127	1	Hose
5	21120627	1	Clamp
6	961670	2	Hose clamp
7	981177	1	Flange screw
8	21141198	1	V-ribbed belt

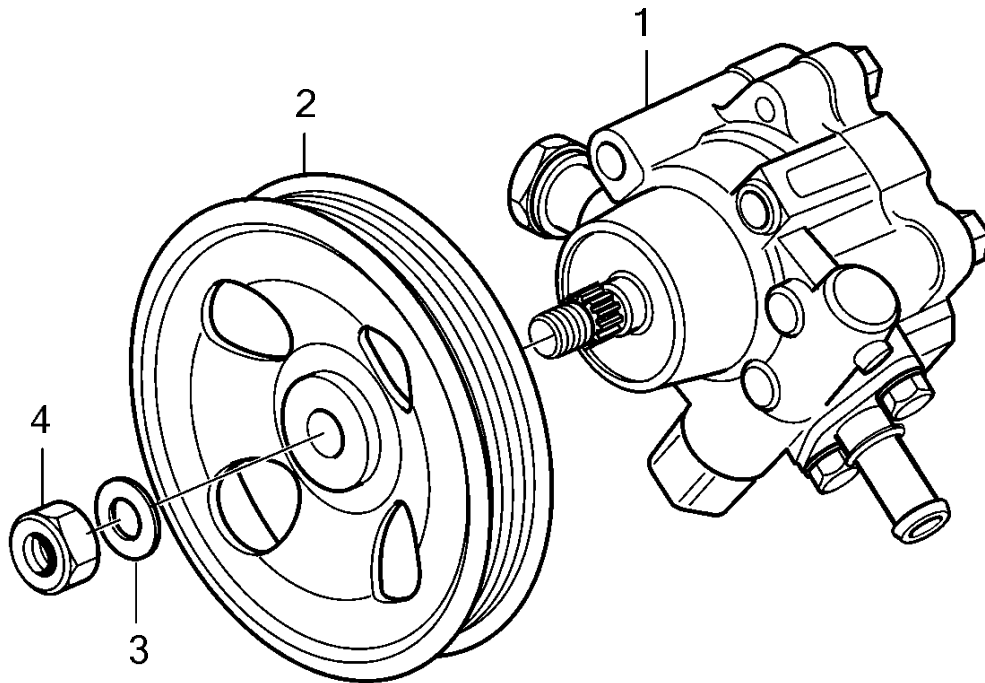
D3-140A-D, D3-140A-E, D3-140A-F, D3-170A-D, D3-170A-E, D3-170A-F, D3-200A-D, D3-200A-E, D3-200A-F, D3-220A-D, D3-220A-E, D3-220A-F



D3-140A-D, D3-140A-E, D3-140A-F, D3-170A-D, D3-170A-E, D3-170A-F, D3-200A-D, D3-200A-E, D3-200A-F, D3-220A-D, D3-220A-E, D3-220A-F

REF	PART NO.	QTY	DESCRIPTION	SEE SEC.	NOTES
1		1	Power steering pump	35667	
2	21248117	1	Bracket		
3	946173	6	Flange screw		M8x20mm
4	21210222	1	V-ribbed belt		
5	941995	1	Hose		L=2m
6	3887375	1	Reservoir		
7	21333637	1	Bracket		
8	21268651	1	Return hose		
9	21214069	1	Hose		
10	965541	1	Bracket		
11	981177	1	Flange screw		M10x25mm
12	952631	1	Clamp		
13	967949	1	Flange screw		M6x12mm
14	945407	1	Flange nut		
15	21099550	1	Oil cooler		
16	21166139	1	Hose		Heat exchanger-oil cooler.
17	961670	2	Hose clamp		
18	994561	2	Hose clamp		
19	21166142	1	Hose		
20	21432596	1	Return hose		
21	982799	1	Flange screw		M8x45mm
22	945444	2	Flange screw		

D3-110I-D, D3-110I-E, D3-110I-F, D3-140I-E, D3-140I-F, D3-150I-D, D3-140A-D, D3-140A-E, D3-140A-F, D3-150I-E, D3-150I-F, D3-170I-D, D3-170I-E, D3-170I-F, D3-170A-D, D3-170A-E, D3-170A-F, D3-200I-D, D3-200I-E, D3-200I-F, D3-200A-D, D3-200A-E, D3-200A-F, D3-220I-D, D3-220I-E, D3-220I-F, D3-220A-D, D3-220A-E, D3-220A-F

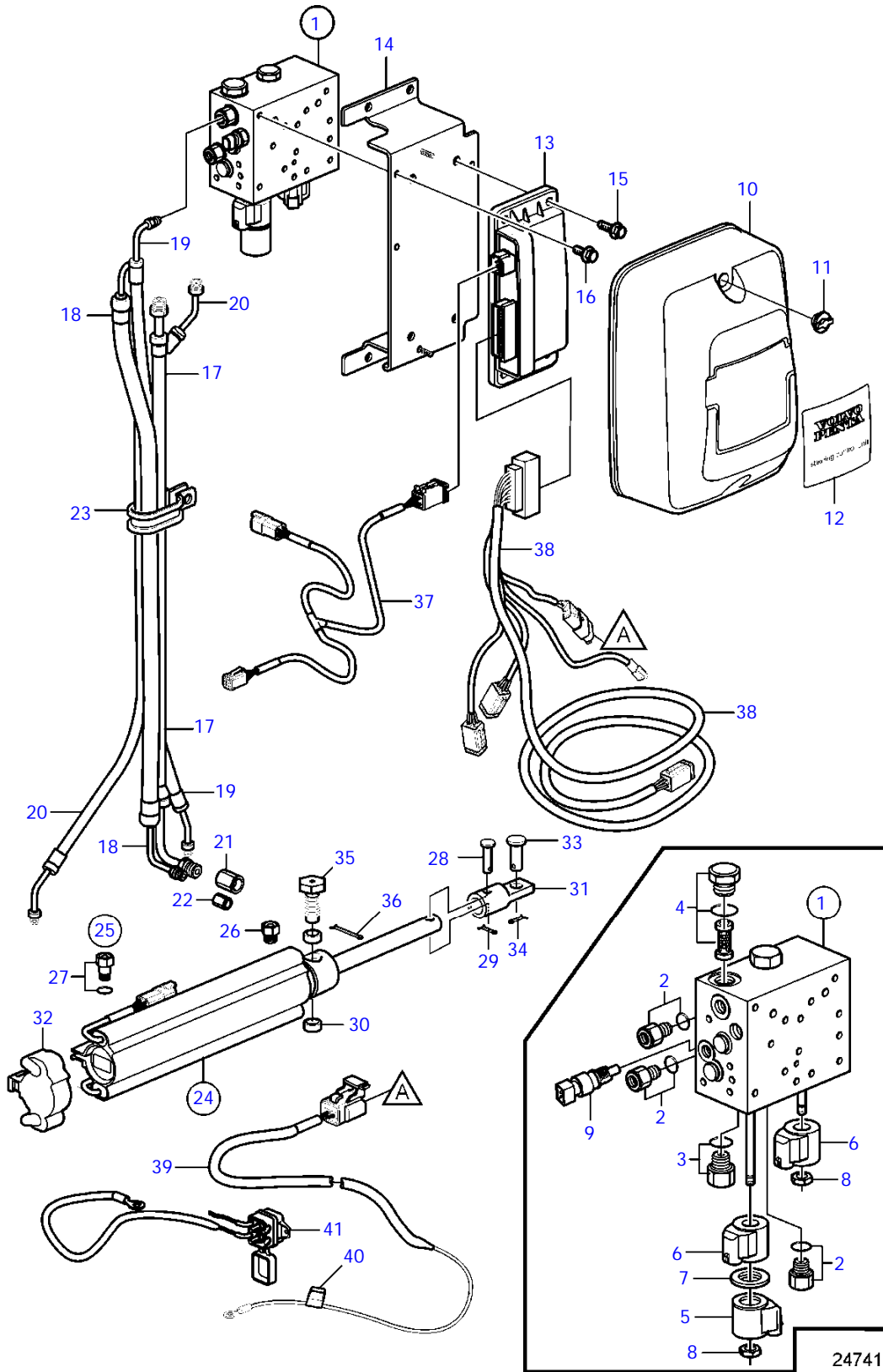


24799

D3-110I-D, D3-110I-E, D3-110I-F, D3-140I-E, D3-140I-F, D3-150I-D, D3-140A-D, D3-140-A-E, D3-140A-E, D3-140A-F, D3-150I-E, D3-150I-F, D3-170I-D, D3-170I-E, D3-170I-F, D3-170A-D, D3-170A-E, D3-170A-F, D3-200I-D, D3-200I-E, D3-200I-F, D3-200A-D, D3-200A-E, D3-200A-F, D3-220I-D, D3-220I-E, D3-220I-F, D3-220A-D, D3-220A-E, D3-220A-F

REF	PART NO.	QTY	DESCRIPTION
1	21317314	1	Pump
2	21180447	1	Pulley
3	3889615	1	Washer
4	3889613	1	Nut

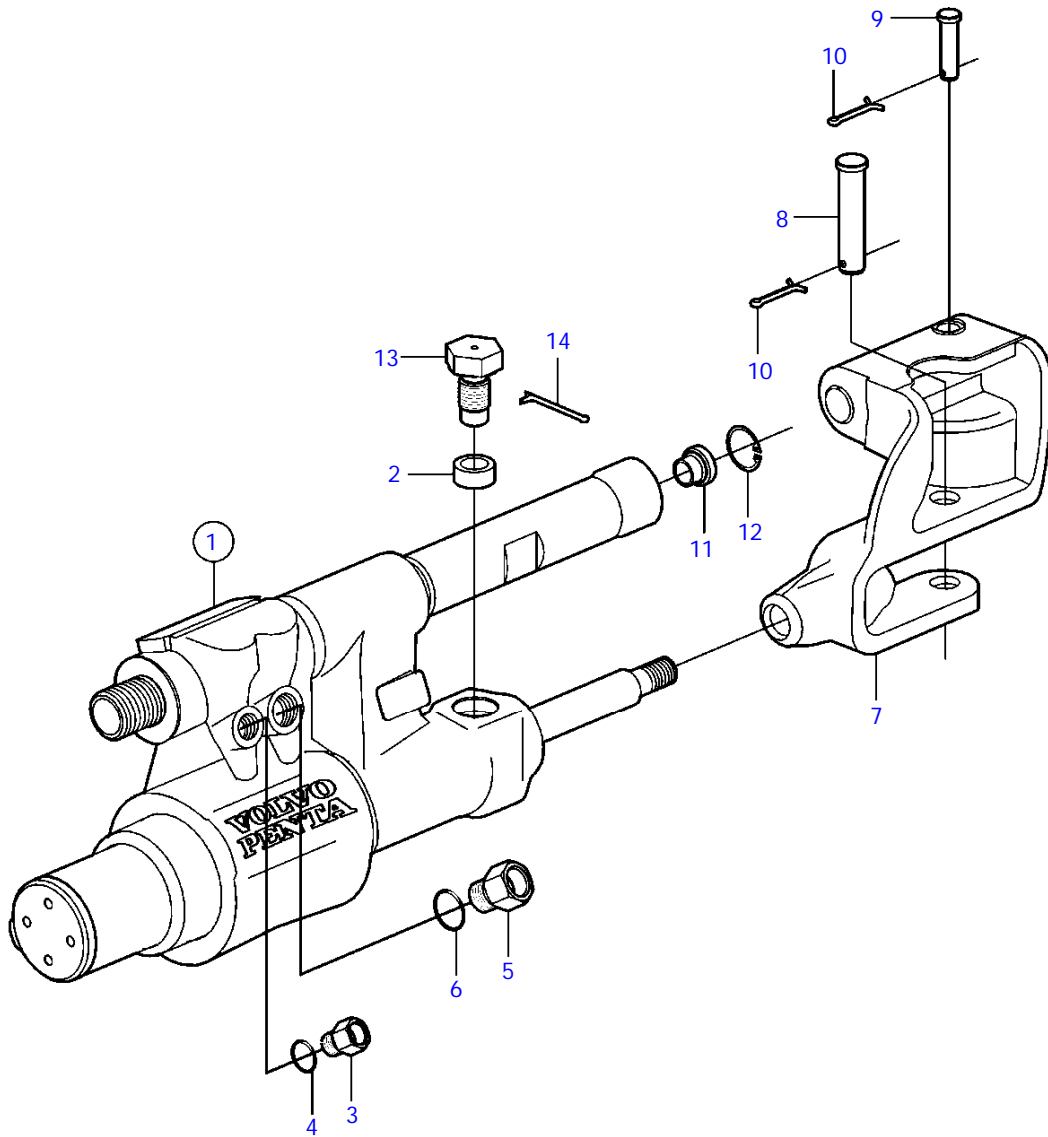
D3-140A-D, D3-140A-E, D3-140A-F, D3-170A-D, D3-170A-E, D3-170A-F, D3-200A-D, D3-200A-E, D3-200A-F, D3-220A-D, D3-220A-E, D3-220A-F



D3-140A-D, D3-140A-E, D3-140A-F, D3-170A-D, D3-170A-E, D3-170A-F, D3-200A-D, D3-200A-E, D3-200A-F, D3-220A-D, D3-220A-E, D3-220A-F

REF	PART NO.	QTY	DESCRIPTION	SEE SEC.	NOTES
1	21199262	1	Valve	36809	replaced, follow link to replacing parts
2	21199274	3	* Nipple		
		3	* * O-ring		not sold separately
3	3859043	1	* Fitting		
	3859042	1	* * O-ring		
4	21314058	1	* Filter		replaced, follow link to replacing parts
		1	* * Nut		not sold separately
		1	* * O-ring		not sold separately
5	21314061	1	* Solenoid		
6	21314064	2	* Solenoid		
7		1	* Washer		not sold separately
8		2	* Nut		not sold separately
9	3850397	1	* Switch, temperature		
10	21198760	1	Cover		
11	3841608	2	Nut		
12	21199454	1	Decal		
13	21187317	1	Module		SCU, replaced by next part number
	21358822	1	Module		SCU
	3809286	1	Software		Warehouse programming. This p/n can not be ordered, but will be used for invoicing.
	3809285	1	Software		Vodia-programming. This p/n can not be ordered, but will be used for invoicing.
14	21199245	1	Bracket		replaced, follow link to replacing parts
15	21280607	4	Flange screw		
16	946544	3	Flange screw		
17	21199304	1	Hose, return	36809	replaced, follow link to replacing parts
18	21199310	1	Hose, pressure	36809	replaced, follow link to replacing parts
19	21199314	1	Hose, starboard	36809	replaced, follow link to replacing parts
20	21199318	1	Hose, port	36809	replaced, follow link to replacing parts
21	984379	1	Nipple		
22	984378	1	Nipple		
23	(3852837)	2	Clamp		Obsolete part
24	21243557	1	Steering cylinder		
		4	* Sensor, position		not sold separately
25	21298577	1	* Kit, fittings		
26		1	* * Fitting		¼" NPT, not sold separately
27		1	* * Fitting		ORB-M, not sold separately
		1	* * O-ring		not sold separately
28		1	* Clevis pin		not sold separately
29		1	* Cotter pin		not sold separately
30		2	* Bushing		not sold separately
31		1	* Cable attachment		not sold separately
32	21277346	1	Cardboard tube		
33	21234062	1	Clevis pin		
34	967707	1	Split pin		
35	3850931	2	Screw		
36	3853376	2	Split pin		
37	3588972	1	Cable kit, t		
38	21292450	1	Wiring harness		SCU
39	21292472	1	Wiring harness		Power
40	21526277	1	Wiring harness, fuse		
		1	* Fuse		10A
41		1	Breaker, circuit		Discontinued, See Service Bulletin 37-2-5

D3-140A-D, D3-140A-E, D3-140A-F, D3-170A-D, D3-170A-E, D3-170A-F, D3-200A-D, D3-200A-E, D3-200A-F, D3-220A-D, D3-220A-E, D3-220A-F

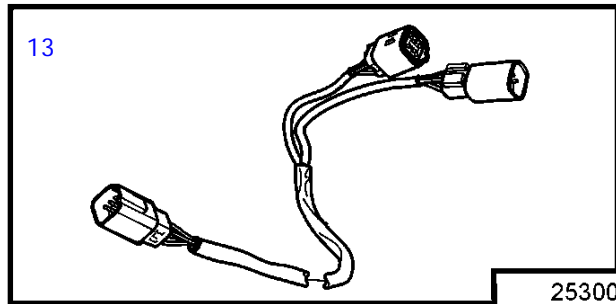
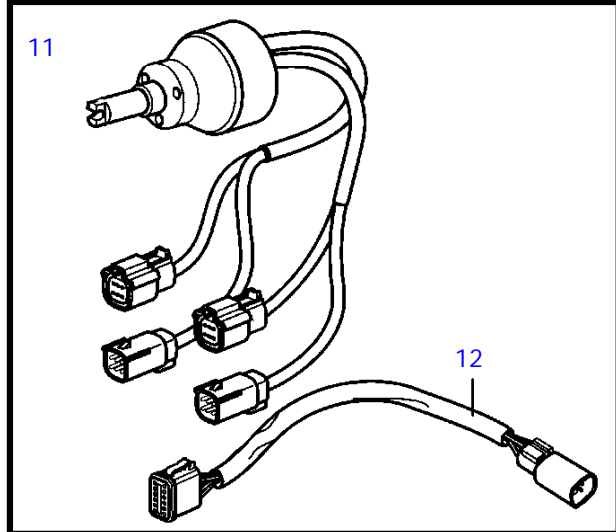
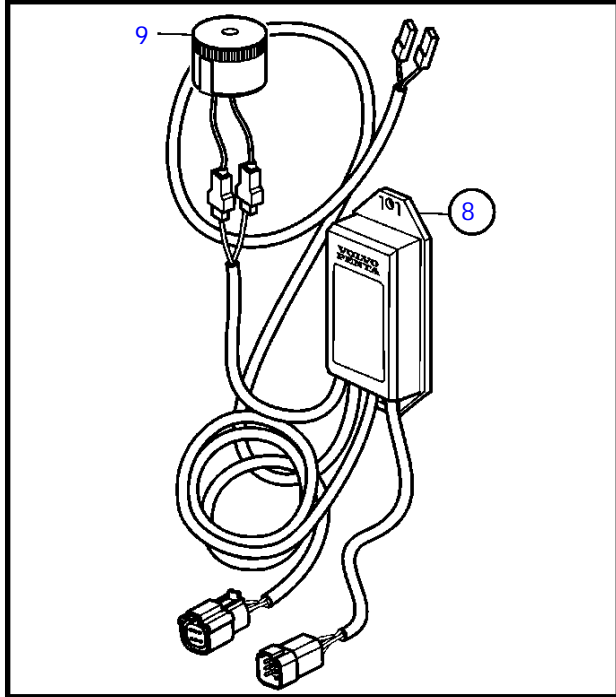
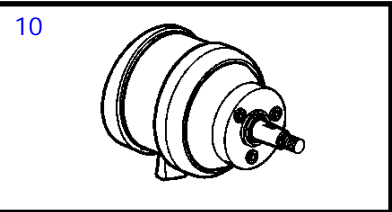
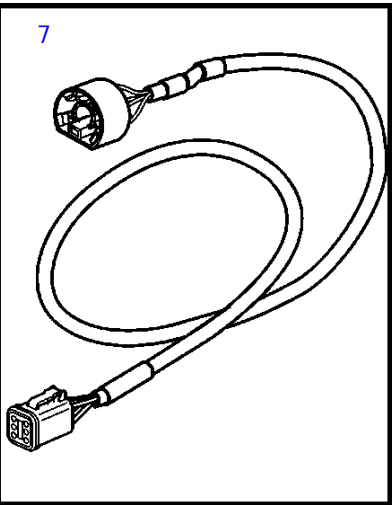
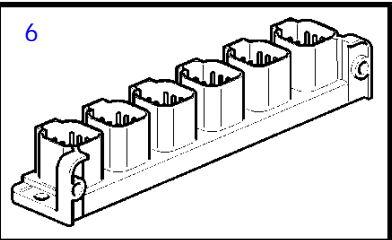
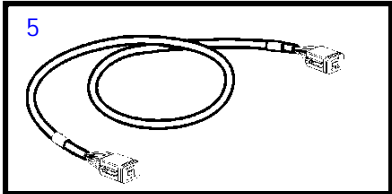
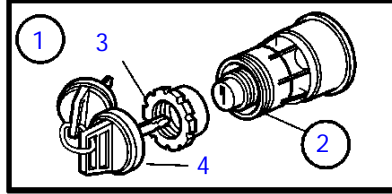


18083

D3-140A-D, D3-140A-E, D3-140A-F, D3-170A-D, D3-170A-E, D3-170A-F, D3-200A-D, D3-200A-E, D3-200A-F, D3-220A-D, D3-220A-E, D3-220A-F

REF	PART NO.	QTY	DESCRIPTION
1	3812269	1	Steering cylinder
2	3861035	2	* Bushing
3	3859041	1	* Fitting
4	3859040	1	* O-ring
5	3859043	1	* Fitting
6	3859042	1	* O-ring
7	3859048	1	* Cable attachment
8	3859047	1	* Pin
9	3859046	1	* Pin
10	3859045	2	* Split pin
11	3859052	1	* Ring
12	3859051	1	* Ring
13	3850931	2	Screw
14	3853376	2	Split pin

D3-140-A-E, D3-140A-F, D3-170A-E, D3-170A-F, D3-200A-E, D3-200A-F, D3-220A-E, D3-220A-F

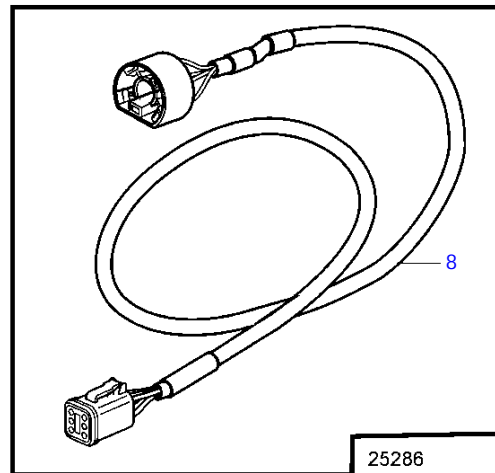
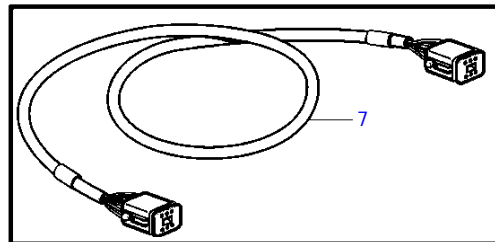
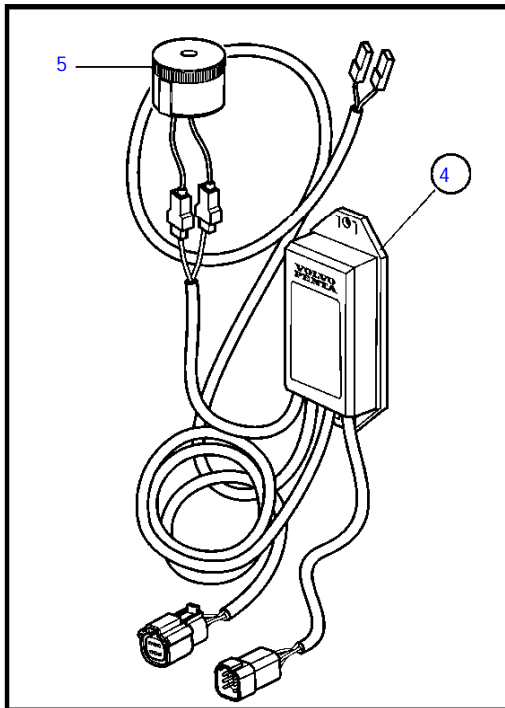
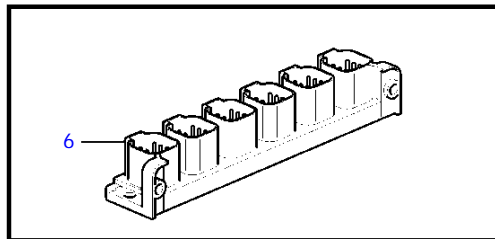
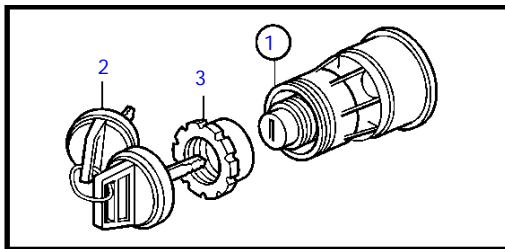


25300

D3-140-A-E, D3-140A-F, D3-170A-E, D3-170A-F, D3-200A-E, D3-200A-F, D3-220A-E, D3-220A-F

REF	PART NO.	QTY	DESCRIPTION	SEE SEC.	NOTES
1	3587070	1	Starter switch, set		Kit with 2 key switch with identical key.
2	3587071	1	Starter switch		
3	859955	1	* Plastic nut		
4	859953	1	* Key		State key code when ordering.
			* Bulletin 49-30	49-30-EN	Key P/N 859953
5	3886666	5	Cable		
6	21469055	1	Connection block		
7	881849	1	Wiring harness		
8	21461496	2	Network adapter		
9	3817974	1	* Alarm		
10	3841280	1	Steering wheel adjus		
11	21469560	1	Steering wheel hub		
12	21421942	1	Cable		Alternative for EVC-C3
13	21421941	2	Cable		For EVC system and hub 21469560.

D3-110I-E, D3-110I-F, D3-140I-E, D3-140I-F, D3-140-A-E, D3-140A-F, D3-150I-E, D3-150I-F, D3-170I-E, D3-170I-F, D3-170A-E, D3-170A-F, D3-200I-E, D3-200I-F, D3-200A-E, D3-200A-F, D3-220I-E, D3-220I-F, D3-220A-E, D3-220A-F

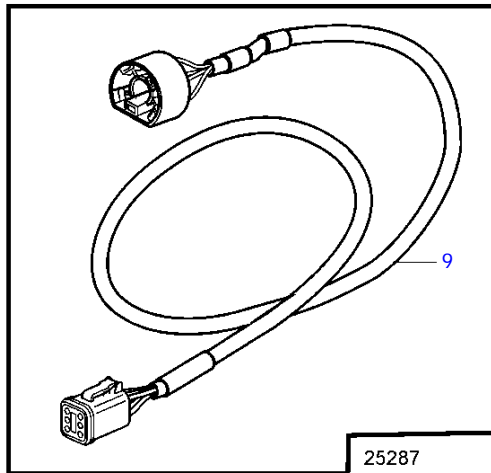
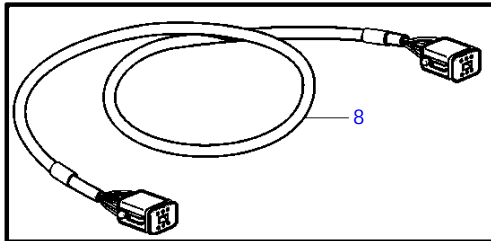
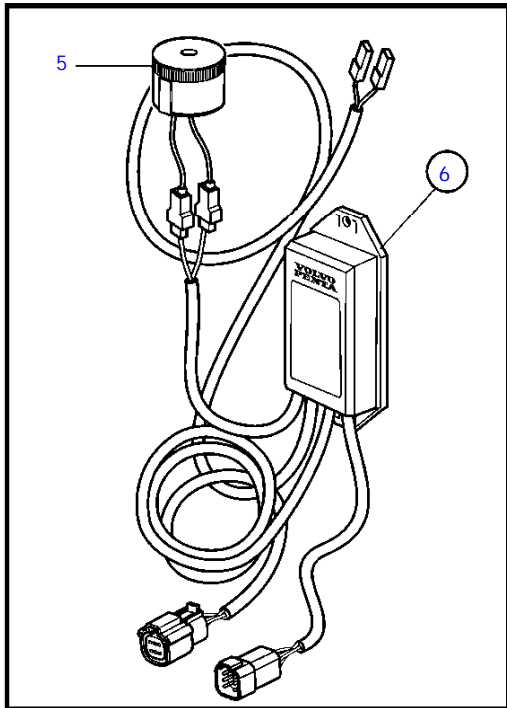
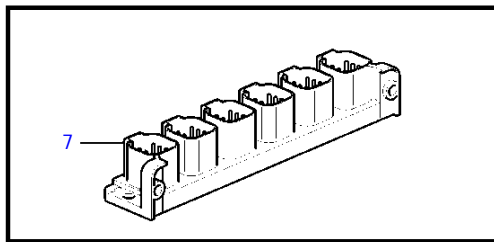
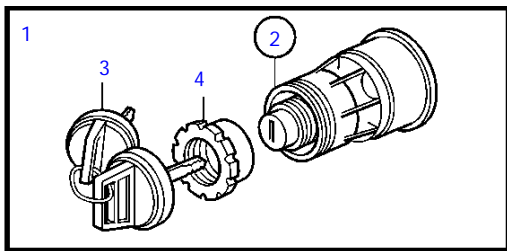


25286

D3-110I-E, D3-110I-F, D3-140I-E, D3-140I-F, D3-140A-E, D3-140A-F, D3-150I-E, D3-150I-F, D3-170I-E, D3-170I-F, D3-170A-E, D3-170A-F, D3-200I-E, D3-200I-F, D3-200A-E, D3-200A-F, D3-220I-E, D3-220I-F, D3-220A-E, D3-220A-F

REF	PART NO.	QTY	DESCRIPTION	SEE SEC.	NOTES
1	3587071	1	Starter switch		
2	859955	1	* Plastic nut		
3	859953	1	* Key		State key code when ordering.
			* Bulletin 49-30	49-30-EN	Key P/N 859953
4	21461496	1	Network adapter		
5	3817974	1	* Alarm		
6	21469055	1	Connection block		
7	3886666	3	Cable		
8	881849	1	Wiring harness		

D3-110I-D, D3-110I-E, D3-110I-F, D3-140I-E, D3-140I-F, D3-150I-D, D3-140A-D, D3-140A-E, D3-140A-F, D3-150I-E, D3-150I-F, D3-170I-D, D3-170I-E, D3-170I-F, D3-170A-D, D3-170A-E, D3-170A-F, D3-200I-E, D3-200I-F, D3-200A-D, D3-200A-E, D3-200A-F, D3-220I-D, D3-220I-E, D3-220I-F, D3-220A-D, D3-220A-E



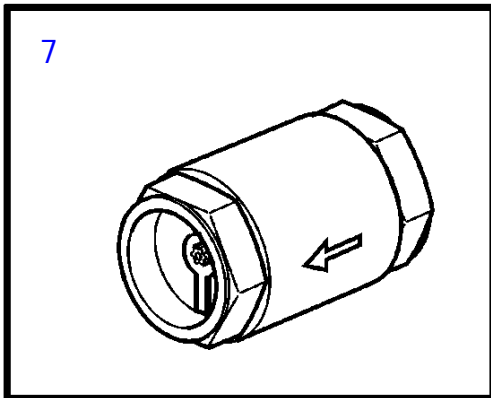
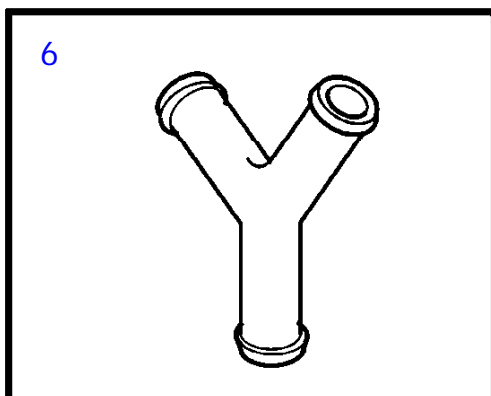
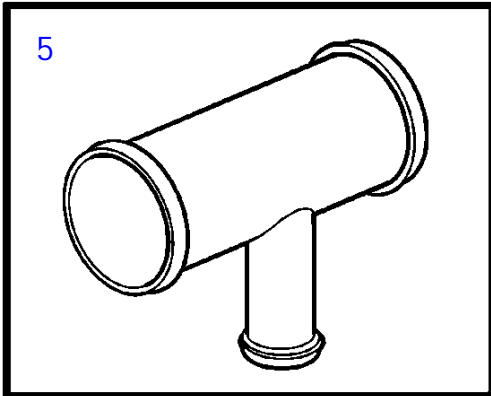
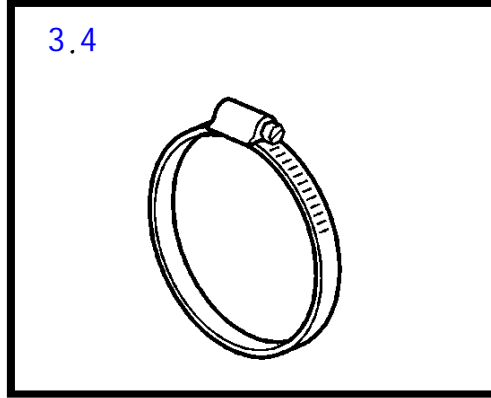
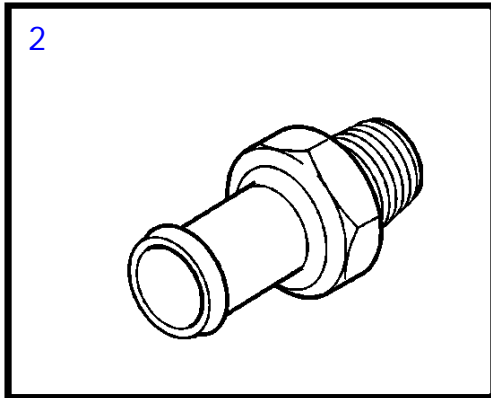
25287

D3-110I-D, D3-110I-E, D3-110I-F, D3-140I-E, D3-140I-F, D3-150I-D, D3-140A-D, D3-140A-E, D3-140A-F, D3-150I-E, D3-150I-F, D3-170I-D, D3-170I-E, D3-170I-F, D3-170A-D, D3-170A-E, D3-170A-F, D3-200I-E, D3-200I-F, D3-200A-D, D3-200A-E, D3-200A-F, D3-220I-D, D3-220I-E, D3-220I-F, D3-220A-D, D3-220A-E

REF	PART NO.	QTY	DESCRIPTION	SEE SEC.	NOTES
1	3587070	1	Starter switch		Kit with 2 key switch with identical key.
2	3587071	1	* Starter switch		
3	859955	1	* * Plastic nut		
4	859953	2	* * Key		State key code when ordering.
			* Bulletin 49-30	49-30-EN	Key P/N 859953
5	21461496	2	Network adapter		
6	3817974	1	* Alarm		
7	21469055	1	Connection block		
8	3886666	5	Cable		
9	881849	2	Wiring harness		

D3-110I-D, D3-110I-E, D3-110I-F, D3-140I-E, D3-140I-F, D3-150I-D, D3-140A-D, D3-140A-E, D3-140A-F, D3-150I-E, D3-150I-F, D3-170I-D, D3-170I-E, D3-170I-F, D3-170A-D, D3-170A-E, D3-170A-F, D3-200I-D, D3-200I-E, D3-200I-F, D3-200A-D, D3-200A-E, D3-200A-F, D3-220I-D, D3-220I-E, D3-220I-F, D3-220A-D, D3-220A-E, D3-220A-F

1



25154

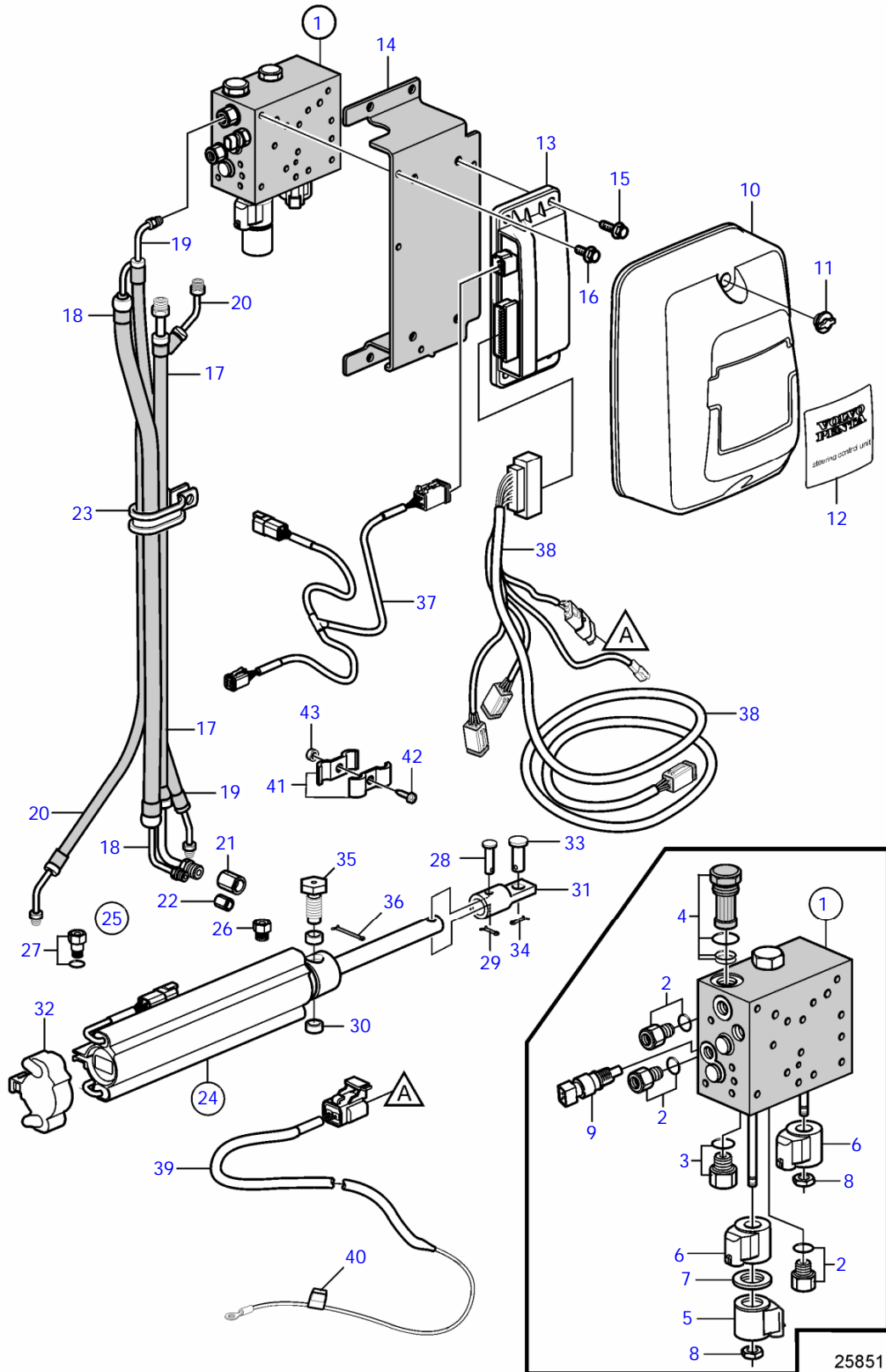
D3-110I-D, D3-110I-E, D3-110I-F, D3-140I-E, D3-140I-F, D3-150I-D, D3-140A-D, D3-140-A-E, D3-140A-E, D3-140A-F, D3-150I-E, D3-150I-F, D3-170I-D, D3-170I-E, D3-170I-F, D3-170A-D, D3-170A-E, D3-170A-F, D3-200I-D, D3-200I-E, D3-200I-F, D3-200A-D, D3-200A-E, D3-200A-F, D3-220I-D, D3-220I-E, D3-220I-F, D3-220A-D, D3-220A-E, D3-220A-F

REF	PART NO.	QTY	DESCRIPTION
1	21493436	1	Engine heater kit
2	961657	1	* Hose nipple
3	961665	2	* Hose clamp
4	961669	6	* Hose clamp
5	3581182	2	* Coolant pipe
6	345845	6	* Distribution pipe
7	21493463	2	* Check valve

D3-110I-D, D3-110I-E, D3-110I-F, D3-140I-E, D3-140I-F, D3-150I-D, D3-140A-D, D3-140-A-E, D3-140A-E, D3-140A-F, D3-150I-E, D3-150I-F, D3-170I-D, D3-170I-E, D3-170I-F, D3-170A-D, D3-170A-E, D3-170A-F, D3-200I-D, D3-200I-E, D3-200I-F, D3-200A-D, D3-200A-E, D3-200A-F, D3-220I-D, D3-220I-E, D3-220I-F, D3-220A-D, D3-220A-E, D3-220A-F

REF	PART NO.	QTY	DESCRIPTION	SEE SEC.	NOTES
1	21381690	1	Repair kit, sea water pump		
		1	* Impeller		
		1	* O-ring		
		3	* Hex. socket screw		
	809444	1	* Lock ring		
	3583988	1	* Washer		
	(21379134)	1	* Sealing ring		Obsolete part
	3862178		* Grease		
	31293668	1	Water pump kit		
	21408029	1	Onboard kit		
	858283	1	* Tape		
	(858630)	1	* Insert		Obsolete part
	858631	1	* Bag		
	961663	2	* Hose clamp		
	961665	2	* Hose clamp		
	994561	2	* Hose clamp		
	961670	2	* Hose clamp		
	961673	2	* Hose clamp		
	948211	10	* Cable tie		
	18665	1	* Gasket		
	969162	2	* Fuse		
	21381693	1	* Impeller kit		
	21381690	1	* Repair kit		
	3843948	1	* Puller screw		
			* Bulletin P-08-2-1	P-08-2-1-EN	Impeller Removal Tool
1	21210222	1	* V-ribbed belt		With power steering
	21141198	1	* V-ribbed belt		Without power steering
	21160912	1	* V-ribbed belt		Sea water pump, impeller kit
	21759184	1	Service kit		
	21381693	1	* Impeller kit		
	30788490	1	* Oil filter kit		
	21139810	1	* Fuel filter		
	3815792	1	* Corrugated paper box		





25851

REF	PART NO.	QTY	DESCRIPTION	NOTES
1		X		Shaded parts show changes from earlier design.
	21445595	1	Valve	second design, introduced Jan. 2011
2	21199274	3	* Nipple	
		3	* * O-ring	not sold separately
3	3859043	1	* Fitting	
	3859042	1	* * O-ring	
4	21584276	1	* Filter	changed from earlier design
		3	* * O-ring	not sold separately
5	21314061	1	* Solenoid	
6	21314064	2	* Solenoid	
7		1	* Washer	not sold separately
8		2	* Nut	not sold separately
9	3850397	1	* Switch,temperature	
10	21198760	1	Cover	
11	3841608	2	Nut	
12	21199454	1	Decal	
13	21469067	1	Control unit	SCU
	3809286	1	Software	Warehouse programming. This p/n can not be ordered, but will be used for invoicing.
	3809285	1	Software	Vodia-programming. This p/n can not be ordered, but will be used for invoicing.
14	21453160	1	Bracket	changed from earlier design
15	21280607	4	Flange screw	
16	946544	3	Flange screw	
17	21438496	1	Hose,return	changed from earlier design
18	21438494	1	Hose,pressure	changed from earlier design
19	21438492	1	Hose,starboard	changed from earlier design
20	21438490	1	Hose,port	changed from earlier design
21	984379	1	Nipple	
22	984378	1	Nipple	
23	(3852837)	2	Clamp	Obsolete part
24	21243557	1	Steering cylinder	
		4	* Sensor,position	not sold separately
25	21298577	1	* Kit, fittings	
26		1	* * Fitting	¼" NPT
27		1	* * Fitting	ORB-M
		1	* * O-ring	not sold separately
28		1	* Clevis pin	not sold separately
29		1	* Cotter pin	not sold separately
30		2	* Bushing	not sold separately
31		1	* Cable attachment	not sold separately
32	21277346	1	Cardboard tube	
33	21234062	1	Clevis pin	
34	967707	1	Split pin	
35	3850931	2	Screw	
36	3853376	2	Split pin	
37	3588972	1	Cable kit,t	
38	21292450	1	Wiring harness	SCU
39	21292472	1	Wiring harness	Power
40		1	* Fuse	10A
41	984329	2	Clamp	
42	963675	1	Hex. socket screw	
43	944456	1	Hexagon nut	

--

DESCRIPTION	SEE SEC.	NOTES
Long Block, Exchange SN-2003018537	36345	D3-110I-D, D3-110I-E, D3-140I-E, D3-150I-D, D3-140A-D, D3-140A-E, D3-150I-E, D3-170I-D, D3-170I-E, D3-170A-D, D3-170A-E, D3-200I-D, D3-200I-E, D3-200A-D, D3-200A-E, D3-220I-D, D3-220I-E, D3-220A-D, D3-220A-E
Long Block, Exchange SN2003018538-	35661	D3-110I-D, D3-110I-E, D3-140I-E, D3-150I-D, D3-140A-D, D3-140A-E, D3-150I-E, D3-170I-D, D3-170I-E, D3-170A-D, D3-170A-E, D3-200I-D, D3-200I-E, D3-200A-D, D3-200A-E, D3-220I-D, D3-220I-E, D3-220A-D, D3-220A-E
Long Block, Exchange	36897	D3-110I-F, D3-140I-F, D3-140A-F, D3-150I-F, D3-170I-F, D3-170A-F, D3-200I-F, D3-200A-F, D3-220I-F, D3-220A-F
Cylinder Head	36852	D3-110I-D, D3-110I-E, D3-110I-F, D3-140I-E, D3-140I-F, D3-150I-D, D3-140A-D, D3-140A-E, D3-140A-E, D3-140A-F, D3-150I-E, D3-150I-F, D3-170I-D, D3-170I-E, D3-170I-F, D3-170A-D, D3-170A-E, D3-170A-F, D3-200I-D, D3-200I-E, D3-200I-F, D3-200A-D, D3-200A-E, D3-200A-F, D3-220I-D, D3-220I-E, D3-220I-F, D3-220A-D, D3-220A-E, D3-220A-F
Cylinder Block	35726	D3-110I-D, D3-110I-E, D3-140I-E, D3-150I-D, D3-140A-D, D3-140A-E, D3-150I-E, D3-170I-D, D3-170I-E, D3-170A-D, D3-170A-E, D3-200I-D, D3-200I-E, D3-200A-D, D3-200A-E, D3-220I-D, D3-220I-E, D3-220A-D, D3-220A-E
Cylinder Block	36889	D3-110I-F, D3-140I-F, D3-140A-F, D3-150I-F, D3-170I-F, D3-170A-F, D3-200I-F, D3-200A-F, D3-220I-F, D3-220A-F
Flywheel Housing	35652	D3-140A-D, D3-140A-E, D3-140A-F, D3-170A-D, D3-170A-E, D3-170A-F, D3-200A-D, D3-200A-E, D3-200A-F, D3-220A-D, D3-220A-E, D3-220A-F
Flywheel Housing	35651	D3-110I-D, D3-110I-E, D3-110I-F, D3-150I-D, D3-150I-E, D3-150I-F, D3-170I-D, D3-170I-E, D3-170I-F, D3-200I-D, D3-200I-E, D3-200I-F, D3-220I-D, D3-220I-E, D3-220I-F
Timing Gear Housing	35703	D3-110I-D, D3-110I-E, D3-110I-F, D3-140I-E, D3-140I-F, D3-150I-D, D3-140A-D, D3-140A-E, D3-140A-E, D3-140A-F, D3-150I-E, D3-150I-F, D3-170I-D, D3-170I-E, D3-170I-F, D3-170A-D, D3-170A-E, D3-170A-F, D3-200I-D, D3-200I-E, D3-200I-F, D3-200A-D, D3-200A-E, D3-200A-F, D3-220I-D, D3-220I-E, D3-220I-F, D3-220A-D, D3-220A-E, D3-220A-F
Camshaft	35725	D3-110I-D, D3-110I-E, D3-110I-F, D3-140I-E, D3-140I-F, D3-150I-D, D3-140A-D, D3-140A-E, D3-140A-E, D3-140A-F, D3-150I-E, D3-150I-F, D3-170I-D, D3-170I-E, D3-170I-F, D3-170A-D, D3-170A-E, D3-170A-F, D3-200I-D, D3-200I-E, D3-200I-F, D3-200A-D, D3-200A-E, D3-200A-F, D3-220I-D, D3-220I-E, D3-220I-F, D3-220A-D, D3-220A-E, D3-220A-F
Crank Mechanism	35760	D3-140A-D, D3-140A-E, D3-170A-D, D3-170A-E, D3-200A-D, D3-200A-E, D3-220A-D, D3-220A-E
Crank Mechanism	35770	D3-110I-D, D3-110I-E, D3-150I-D, D3-150I-E, D3-170I-D, D3-170I-E, D3-200I-D, D3-200I-E, D3-220I-D, D3-220I-E
Crank Mechanism	36893	D3-140A-F, D3-170A-F, D3-200A-F, D3-220A-F
Crank Mechanism	36894	D3-110I-F, D3-150I-F, D3-170I-F, D3-200I-F, D3-220I-F
Engine Mounting	35653	D3-110I-D, D3-110I-E, D3-110I-F, D3-140I-E, D3-140I-F, D3-150I-D, D3-150I-E, D3-150I-F, D3-170I-D, D3-170I-E, D3-170I-F, D3-200I-D, D3-200I-E, D3-200I-F, D3-220I-D, D3-220I-E, D3-220I-F
Engine Mounting	35675	D3-110I-D, D3-110I-E, D3-110I-F, D3-140I-E, D3-140I-F, D3-150I-D, D3-140A-D, D3-140A-E, D3-140A-E, D3-140A-F, D3-150I-E, D3-150I-F, D3-170I-D, D3-170I-E, D3-170I-F, D3-170A-D, D3-170A-E, D3-170A-F, D3-200I-D, D3-200I-E, D3-200I-F, D3-200A-D, D3-200A-E, D3-200A-F, D3-220I-D, D3-220I-E, D3-220I-F, D3-220A-D, D3-220A-E, D3-220A-F
Engine Suspension for SX-Drive	35679	D3-140A-D, D3-170A-D, D3-200A-D, D3-220A-D
Engine Cover	35673	D3-110I-D, D3-110I-E, D3-110I-F, D3-140I-E, D3-140I-F, D3-150I-D, D3-140A-D, D3-140A-E, D3-140A-E, D3-140A-F, D3-150I-E, D3-150I-F, D3-170I-D, D3-170I-E, D3-170I-F, D3-170A-D, D3-170A-E, D3-170A-F, D3-200I-D, D3-200I-E, D3-200I-F, D3-200A-D, D3-200A-E, D3-200A-F, D3-220I-D, D3-220I-E, D3-220I-F, D3-220A-D, D3-220A-E, D3-220A-F

--

DESCRIPTION	SEE SEC.	NOTES
Lubricating System	35762	D3-110I-D, D3-110I-E, D3-140I-E, D3-150I-D, D3-140A-D, D3-140A-E, D3-150I-E, D3-170I-D, D3-170I-E, D3-170A-D, D3-170A-E, D3-200I-D, D3-200I-E, D3-200A-D, D3-200A-E, D3-220I-D, D3-220I-E, D3-220A-D, D3-220A-E
Lubricating System	36888	D3-110I-F, D3-140I-F, D3-140A-F, D3-150I-F, D3-170I-F, D3-170A-F, D3-200I-F, D3-200A-F, D3-220I-F, D3-220A-F
Oil Filter	35940	D3-110I-D, D3-110I-E, D3-110I-F, D3-140I-E, D3-140I-F, D3-150I-D, D3-140A-D, D3-140A-E, D3-140A-F, D3-150I-E, D3-150I-F, D3-170I-D, D3-170I-E, D3-170I-F, D3-170A-D, D3-170A-E, D3-170A-F, D3-200I-D, D3-200I-E, D3-200I-F, D3-200A-D, D3-200A-E, D3-200A-F, D3-220I-D, D3-220I-E, D3-220I-F, D3-220A-D, D3-220A-E, D3-220A-F
Oil Filling and Oil Drain From Turbo	35707	D3-110I-D, D3-110I-E, D3-110I-F, D3-140I-E, D3-140I-F, D3-150I-D, D3-140A-D, D3-140A-E, D3-140A-F, D3-140A-F, D3-150I-E, D3-150I-F, D3-170I-D, D3-170I-E, D3-170I-F, D3-170A-D, D3-170A-E, D3-170A-F, D3-200I-D, D3-200I-E, D3-200I-F, D3-200A-D, D3-200A-E, D3-200A-F, D3-220I-D, D3-220I-E, D3-220I-F, D3-220A-D, D3-220A-E, D3-220A-F
Oil Cooler	35715	D3-110I-D, D3-110I-E, D3-110I-F, D3-140I-E, D3-140I-F, D3-150I-D, D3-140A-D, D3-140A-E, D3-140A-E, D3-140A-F, D3-150I-E, D3-150I-F, D3-170I-D, D3-170I-E, D3-170I-F, D3-170A-D, D3-170A-E, D3-170A-F, D3-200I-D, D3-200I-E, D3-200I-F, D3-200A-D, D3-200A-E, D3-200A-F, D3-220I-D, D3-220I-E, D3-220I-F, D3-220A-D, D3-220A-E, D3-220A-F

--

DESCRIPTION	SEE SEC.	NOTES
Fuel Feed Pump	35713	D3-110I-D, D3-110I-E, D3-110I-F, D3-140I-E, D3-140I-F, D3-150I-D, D3-140A-D, D3-140A-E, D3-140A-E, D3-140A-F, D3-150I-E, D3-150I-F, D3-170I-D, D3-170I-E, D3-170I-F, D3-170A-D, D3-170A-E, D3-170A-F, D3-200I-D, D3-200I-E, D3-200I-F, D3-200A-D, D3-200A-E, D3-200A-F, D3-220I-D, D3-220I-E, D3-220I-F, D3-220A-D, D3-220A-E, D3-220A-F
Fuel Filter	35664	D3-110I-D, D3-110I-E, D3-110I-F, D3-140I-E, D3-140I-F, D3-150I-D, D3-140A-D, D3-140A-E, D3-140A-E, D3-140A-F, D3-150I-E, D3-150I-F, D3-170I-D, D3-170I-E, D3-170I-F, D3-170A-D, D3-170A-E, D3-170A-F, D3-200I-D, D3-200I-E, D3-200I-F, D3-200A-D, D3-200A-E, D3-200A-F, D3-220I-D, D3-220I-E, D3-220I-F, D3-220A-D, D3-220A-E, D3-220A-F
Fuel Filter, Connecting Parts	35665	D3-110I-D, D3-110I-E, D3-110I-F, D3-140I-E, D3-140I-F, D3-150I-D, D3-140A-D, D3-140A-E, D3-140A-E, D3-140A-F, D3-150I-E, D3-150I-F, D3-170I-D, D3-170I-E, D3-170I-F, D3-170A-D, D3-170A-E, D3-170A-F, D3-200I-D, D3-200I-E, D3-200I-F, D3-200A-D, D3-200A-E, D3-200A-F, D3-220I-D, D3-220I-E, D3-220I-F, D3-220A-D, D3-220A-E, D3-220A-F
Fuel Injection Pump	35728	D3-110I-D, D3-110I-E, D3-110I-F, D3-140I-E, D3-140I-F, D3-150I-D, D3-140A-D, D3-140A-E, D3-140A-E, D3-140A-F, D3-150I-E, D3-150I-F, D3-170I-D, D3-170I-E, D3-170I-F, D3-170A-D, D3-170A-E, D3-170A-F, D3-200I-D, D3-200I-E, D3-200I-F, D3-200A-D, D3-200A-E, D3-200A-F, D3-220I-D, D3-220I-E, D3-220I-F, D3-220A-D, D3-220A-E, D3-220A-F
Fuel Injector and Delivery Pipes	35714	D3-110I-D, D3-110I-E, D3-110I-F, D3-140I-E, D3-140I-F, D3-150I-D, D3-140A-D, D3-140A-E, D3-140A-E, D3-140A-F, D3-150I-E, D3-150I-F, D3-170I-D, D3-170I-E, D3-170I-F, D3-170A-D, D3-170A-E, D3-170A-F, D3-200I-D, D3-200I-E, D3-200I-F, D3-200A-D, D3-200A-E, D3-200A-F, D3-220I-D, D3-220I-E, D3-220I-F, D3-220A-D, D3-220A-E, D3-220A-F



DESCRIPTION	SEE SEC.	NOTES
Exhaust Manifold and Heat Protection	35682	D3-110I-D, D3-110I-E, D3-110I-F, D3-140I-E, D3-140I-F, D3-150I-D, D3-150I-E, D3-150I-F, D3-170I-D, D3-170I-E, D3-170I-F, D3-200I-D, D3-200I-E, D3-200I-F, D3-220I-D, D3-220I-E, D3-220I-F
Exhaust Manifold and Heat Protection	35684	D3-140A-D, D3-140A-E, D3-140A-F, D3-170A-D, D3-170A-E, D3-170A-F, D3-200A-D, D3-200A-E, D3-200A-F, D3-220A-D, D3-220A-E, D3-220A-F
Regulator, VNT	35712	D3-110I-D, D3-110I-E, D3-110I-F, D3-140I-E, D3-140I-F, D3-150I-D, D3-150I-E, D3-140A-D, D3-140A-E, D3-140A-F, D3-150I-E, D3-150I-F, D3-170I-D, D3-170I-E, D3-170I-F, D3-170A-D, D3-170A-E, D3-170A-F, D3-200I-D, D3-200I-E, D3-200I-F, D3-200A-D, D3-200A-E, D3-200A-F, D3-220I-D, D3-220I-E, D3-220I-F, D3-220A-D, D3-220A-E, D3-220A-F
Exhaust Manifold and Turbocharger	35706	D3-110I-D, D3-110I-E, D3-110I-F, D3-140I-E, D3-140I-F, D3-150I-D, D3-140A-D, D3-140A-E, D3-140A-F, D3-150I-E, D3-150I-F, D3-170I-D, D3-170I-E, D3-170I-F, D3-170A-D, D3-170A-E, D3-170A-F, D3-200I-D, D3-200I-E, D3-200I-F, D3-200A-D, D3-200A-E, D3-200A-F, D3-220I-D, D3-220I-E, D3-220I-F, D3-220A-D, D3-220A-E, D3-220A-F
Air Filter	35697	D3-110I-D, D3-110I-E, D3-110I-F, D3-140I-E, D3-140I-F, D3-150I-D, D3-140A-D, D3-140A-E, D3-140A-F, D3-150I-E, D3-150I-F, D3-170I-D, D3-170I-E, D3-170I-F, D3-170A-D, D3-170A-E, D3-170A-F, D3-200I-D, D3-200I-E, D3-200I-F, D3-200A-D, D3-200A-E, D3-200A-F, D3-220I-D, D3-220I-E, D3-220I-F, D3-220A-D, D3-220A-E, D3-220A-F
Crankcase Ventilation	35735	D3-110I-D, D3-110I-E, D3-110I-F, D3-140I-E, D3-140I-F, D3-150I-D, D3-140A-D, D3-140A-E, D3-140A-F, D3-150I-E, D3-150I-F, D3-170I-D, D3-170I-E, D3-170I-F, D3-170A-D, D3-170A-E, D3-170A-F, D3-200I-D, D3-200I-E, D3-200I-F, D3-200A-D, D3-200A-E, D3-200A-F, D3-220I-D, D3-220I-E, D3-220I-F, D3-220A-D, D3-220A-E, D3-220A-F

--

DESCRIPTION	SEE SEC.	NOTES
Joystick	21382	D3-110I-D, D3-110I-E, D3-110I-F, D3-140I-E, D3-140I-F, D3-150I-D, D3-140A-D, D3-140A-E, D3-140A-F, D3-150I-E, D3-150I-F, D3-170I-D, D3-170I-E, D3-170I-F, D3-170A-D, D3-170A-E, D3-170A-F, D3-200I-D, D3-200I-E, D3-200I-F, D3-200A-D, D3-200A-E, D3-200A-F, D3-220I-D, D3-220I-E, D3-220I-F, D3-220A-D, D3-220A-E, D3-220A-F
Joystick Plus	35971	D3-110I-E, D3-110I-F, D3-140I-E, D3-140I-F, D3-140A-E, D3-140A-F, D3-150I-E, D3-150I-F, D3-170I-E, D3-170I-F, D3-170A-E, D3-170A-F, D3-200I-E, D3-200I-F, D3-200A-E, D3-200A-F, D3-220I-E, D3-220I-F, D3-220A-E, D3-220A-F
Electronic Control with Trim, Sterndrive, EVC-D, Single Installation	36142	D3-140A-E, D3-140A-F, D3-170A-E, D3-170A-F, D3-200A-E, D3-200A-F, D3-220A-E, D3-220A-F
Electronic Control with Trim, Sterndrive, EVC-D, Twin Installation	36143	D3-140A-E, D3-140A-F, D3-170A-E, D3-170A-F, D3-200A-E, D3-200A-F, D3-220A-E, D3-220A-F
Electronic Speed Control without Trim Button, Inboard, EVC-D, Single Installation	36120	D3-110I-E, D3-110I-F, D3-140I-F, D3-150I-E, D3-150I-F, D3-170I-E, D3-170I-F, D3-200I-E, D3-200I-F, D3-220I-E, D3-220I-F
Electronic Speed Control without Trim Button, Inboard, EVC-D, Twin Installation	36174	D3-110I-E, D3-110I-F, D3-140I-F, D3-150I-E, D3-150I-F, D3-170I-E, D3-170I-F, D3-200I-E, D3-200I-F, D3-220I-E, D3-220I-F
Electronic Control for Side Installation, EVC-D	36177	D3-110I-D, D3-110I-E, D3-110I-F, D3-140I-E, D3-140I-F, D3-150I-D, D3-140A-D, D3-140A-E, D3-140A-F, D3-150I-E, D3-150I-F, D3-170I-D, D3-170I-E, D3-170I-F, D3-170A-D, D3-170A-E, D3-170A-F, D3-200I-D, D3-200I-E, D3-200I-F, D3-200A-D, D3-200A-E, D3-200A-F, D3-220I-D, D3-220I-E, D3-220I-F, D3-220A-D, D3-220A-E, D3-220A-F
Safety Lanyard	36088	D3-110I-D, D3-110I-E, D3-110I-F, D3-140I-E, D3-140I-F, D3-150I-D, D3-140A-D, D3-140A-E, D3-140A-F, D3-150I-E, D3-150I-F, D3-170I-D, D3-170I-E, D3-170I-F, D3-170A-D, D3-170A-E, D3-170A-F, D3-200I-D, D3-200I-E, D3-200I-F, D3-200A-D, D3-200A-E, D3-200A-F, D3-220I-D, D3-220I-E, D3-220I-F, D3-220A-D, D3-220A-E, D3-220A-F

--

DESCRIPTION	SEE SEC.	NOTES
Drive Unit, Complete, DPS-A	9557	
Drive Unit, Complete, DPS-A OXi	35815	
Actuator	35764	D3-140A-D, D3-140A-E, D3-140A-F, D3-170A-D, D3-170A-E, D3-170A-F, D3-200A-D, D3-200A-E, D3-200A-F, D3-220A-D, D3-220A-E, D3-220A-F
Connecting Components for HS25 and HS45	35802	D3-110I-D, D3-110I-E, D3-110I-F, D3-140I-E, D3-140I-F, D3-150I-D, D3-150I-E, D3-150I-F, D3-170I-D, D3-170I-E, D3-170I-F, D3-200I-D, D3-200I-E, D3-200I-F, D3-220I-D, D3-220I-E, D3-220I-F
Connecting Components for HS63	35759	D3-110I-D, D3-110I-E, D3-110I-F, D3-140I-E, D3-140I-F, D3-150I-D, D3-150I-E, D3-150I-F, D3-170I-D, D3-170I-E, D3-170I-F, D3-200I-D, D3-200I-E, D3-200I-F, D3-220I-D, D3-220I-E, D3-220I-F



--

DESCRIPTION	SEE SEC.	NOTES
Power Steering Pump Adapter	35769	D3-110I-D, D3-110I-E, D3-110I-F, D3-140I-E, D3-140I-F, D3-150I-D, D3-140A-D, D3-140A-E, D3-140A-F, D3-150I-E, D3-150I-F, D3-170I-D, D3-170I-E, D3-170I-F, D3-170A-D, D3-170A-E, D3-170A-F, D3-200I-D, D3-200I-E, D3-200I-F, D3-200A-D, D3-200A-E, D3-200A-F, D3-220I-D, D3-220I-E, D3-220I-F, D3-220A-D, D3-220A-E, D3-220A-F
Servo Pump and Cooler for Stern Drives	35701	D3-140A-D, D3-140A-E, D3-140A-F, D3-170A-D, D3-170A-E, D3-170A-F, D3-200A-D, D3-200A-E, D3-200A-F, D3-220A-D, D3-220A-E, D3-220A-F
Servo Pump	35667	D3-110I-D, D3-110I-E, D3-110I-F, D3-140I-E, D3-140I-F, D3-150I-D, D3-140A-D, D3-140A-E, D3-140A-F, D3-140A-E, D3-140A-F, D3-150I-E, D3-150I-F, D3-170I-D, D3-170I-E, D3-170I-F, D3-170A-D, D3-170A-E, D3-170A-F, D3-200I-D, D3-200I-E, D3-200I-F, D3-200A-D, D3-200A-E, D3-200A-F, D3-220I-D, D3-220I-E, D3-220I-F, D3-220A-D, D3-220A-E, D3-220A-F
Sterndrive Joystick System	35586	D3-140A-D, D3-140A-E, D3-140A-F, D3-170A-D, D3-170A-E, D3-170A-F, D3-200A-D, D3-200A-E, D3-200A-F, D3-220A-D, D3-220A-E, D3-220A-F
Steering Cylinder	35796	D3-140A-D, D3-140A-E, D3-140A-F, D3-170A-D, D3-170A-E, D3-170A-F, D3-200A-D, D3-200A-E, D3-200A-F, D3-220A-D, D3-220A-E, D3-220A-F
Main Station, Sterndrive, Twin Installation, EVC-D	36189	D3-140-A-E, D3-140A-F, D3-170A-E, D3-170A-F, D3-200A-E, D3-200A-F, D3-220A-E, D3-220A-F
Main Station, Single Installation, EVC-D	36146	D3-110I-E, D3-110I-F, D3-140I-E, D3-140I-F, D3-140A-E, D3-140A-F, D3-150I-E, D3-150I-F, D3-170I-E, D3-170I-F, D3-170A-E, D3-170A-F, D3-200I-E, D3-200I-F, D3-200A-E, D3-200A-F, D3-220I-E, D3-220I-F, D3-220A-E, D3-220A-F
Main Station, Twin Installation, EVC-D	36147	D3-110I-D, D3-110I-E, D3-110I-F, D3-140I-E, D3-140I-F, D3-150I-D, D3-140A-D, D3-140A-E, D3-140A-F, D3-150I-E, D3-150I-F, D3-170I-D, D3-170I-E, D3-170I-F, D3-170A-D, D3-170A-E, D3-170A-F, D3-200I-E, D3-200I-F, D3-200A-D, D3-200A-E, D3-200A-F, D3-220I-D, D3-220I-E, D3-220I-F, D3-220A-D, D3-220A-E

--

DESCRIPTION	SEE SEC.	NOTES
Installation Components for Engine Heater	36059	D3-110I-D, D3-110I-E, D3-110I-F, D3-140I-E, D3-140I-F, D3-150I-D, D3-140A-D, D3-140A-E, D3-140A-E, D3-140A-F, D3-150I-E, D3-150I-F, D3-170I-D, D3-170I-E, D3-170I-F, D3-170A-D, D3-170A-E, D3-170A-F, D3-200I-D, D3-200I-E, D3-200I-F, D3-200A-D, D3-200A-E, D3-200A-F, D3-220I-D, D3-220I-E, D3-220I-F, D3-220A-D, D3-220A-E, D3-220A-F

--

DESCRIPTION	SEE SEC.	NOTES
Repair Kits	35801	D3-110I-D, D3-110I-E, D3-110I-F, D3-140I-E, D3-140I-F, D3-150I-D, D3-140A-D, D3-140-A-E, D3-140A-E, D3-140A-F, D3-150I-E, D3-150I-F, D3-170I-D, D3-170I-E, D3-170I-F, D3-170A-D, D3-170A-E, D3-170A-F, D3-200I-D, D3-200I-E, D3-200I-F, D3-200A-D, D3-200A-E, D3-200A-F, D3-220I-D, D3-220I-E, D3-220I-F, D3-220A-D, D3-220A-E, D3-220A-F



D3-110I-D, D3-110I-E, D3-110I-F, D3-140I-E, D3-140I-F, D3-150I-D, D3-140A-D,
 D3-140-A-E, D3-140A-E, D3-140A-F, D3-150I-E, D3-150

REF	DESCRIPTION	SEE SEC.
21	Engine	21
22	Lubricating System	22
23	Fuel System	23
25	Intake and Exhaust System	25
26	Cooling System	26
27	Controls	27
30	Electrical System	30
44	Transmissions	44
64	Steering System	64
90	Miscellaneous Equipment	90
99	Repair Kits	99

--	--	--

