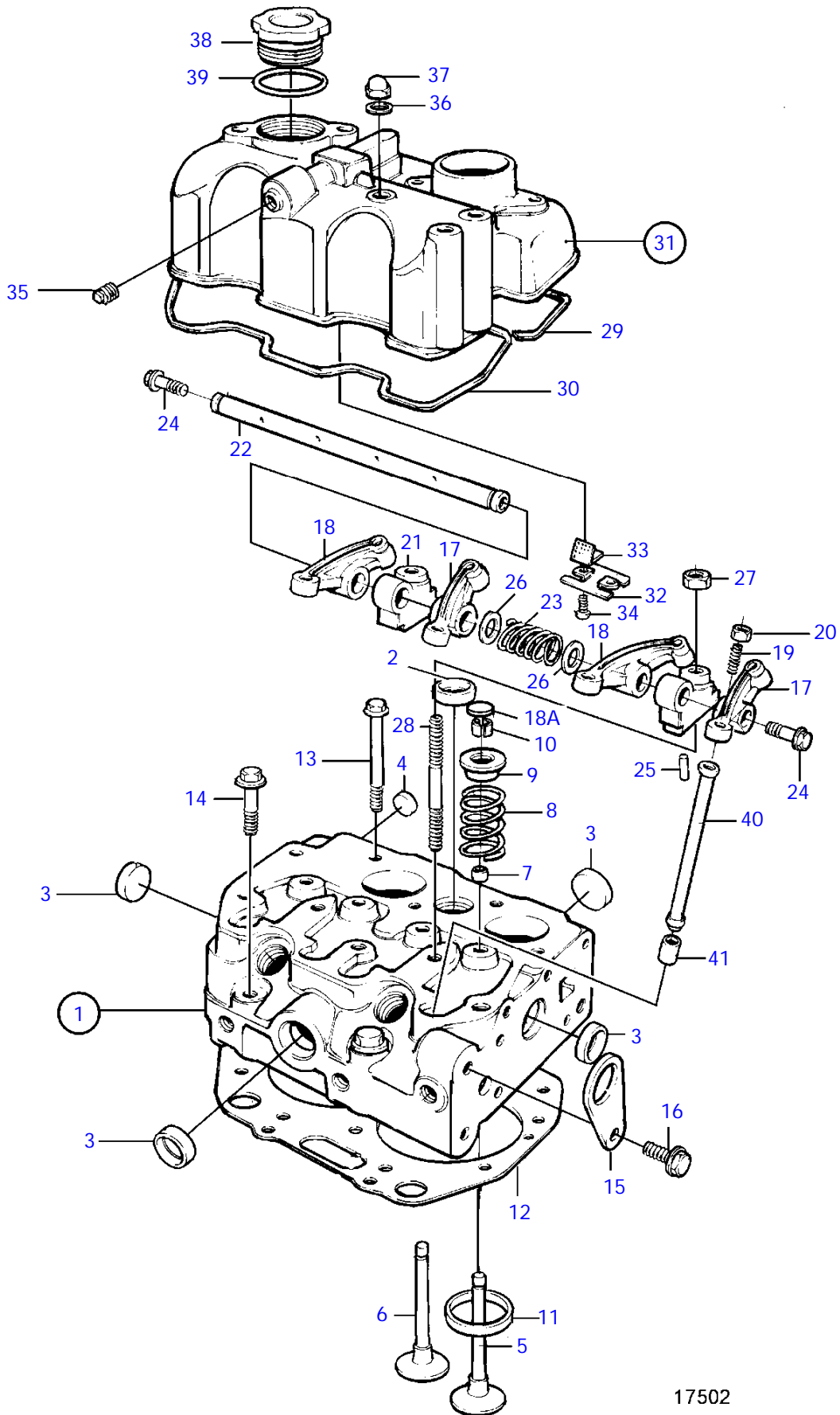


MD2010C, MD2010D

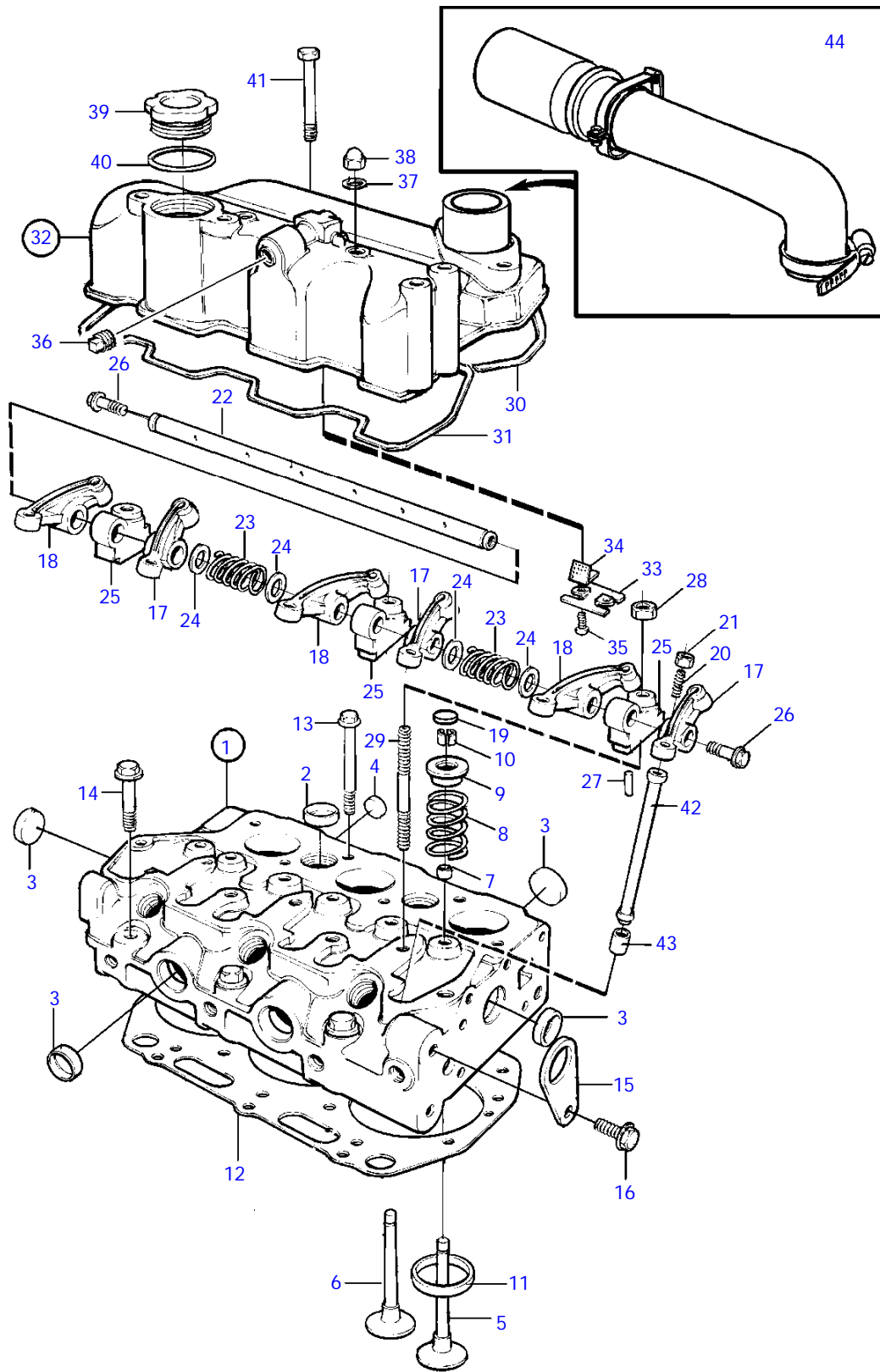


17502

MD2010C, MD2010D

REF	PART NO.	QTY	DESCRIPTION	NOTES
1	861856	1	Cylinder head	
2	861802	1	* Plug	Replaced by 3886428
	3886428	1	* Cardboard tube	
3	861857	4	* Plug	Replaced by 21281436
	21281436	4	* Plug	Replaced by 3886430
	3886430	4	* Plug blank	
4	3807215	3	* Plug	(3580456)
5	861858	2	* Inlet valve	
6	861859	2	* Exhaust valve	
7	861860	4	* Valve stem seal	
8	861861	4	* Valve spring	
9	861862	4	* Valve spring washer	
10	861863	8	* Valve cone	
11	861864	2	* Valve seat	
12	861865	1	Cylinder head gasket	TH=0,6mm
13	861866	8	Screw	
14	861867	2	Screw	
15	(861869)	1	Lifting eye	Obsolete part
16	861870	1	Screw	
17	3581291	2	Rocker arm	
18	3581292	2	Rocker arm	
18A	3581293	4	Valve cap	
19	861877	4	Screw	
20	861878	4	Nut	
21	3582684	2	Bracket	
22	861880	1	Shaft	
23	861881	1	Spring	
24	861886	2	Plug	
25	861882	1	Tensioning din	
26	861883	2	Adjusting washer	
27	948645	2	Flange lock nut	
28	861885	2	Stud bolt	
29	861887	1	Gasket	
30	861888	1	Gasket	
31	861889	1	Valve cover	
32		1	* Separator	
33	861891	1	* Filter	
34	967949	2	* Flange screw	
35	861893	1	* Plug	
36	11992	2	Gasket	
37	3580241	2	Nut	(861895)
38	3583541	1	Oil filler cap	(861896)
39	861897	1	O-ring	
40	861828	4	Push rod	
41	861827	4	Tappet	

MD2020C, MD2020D

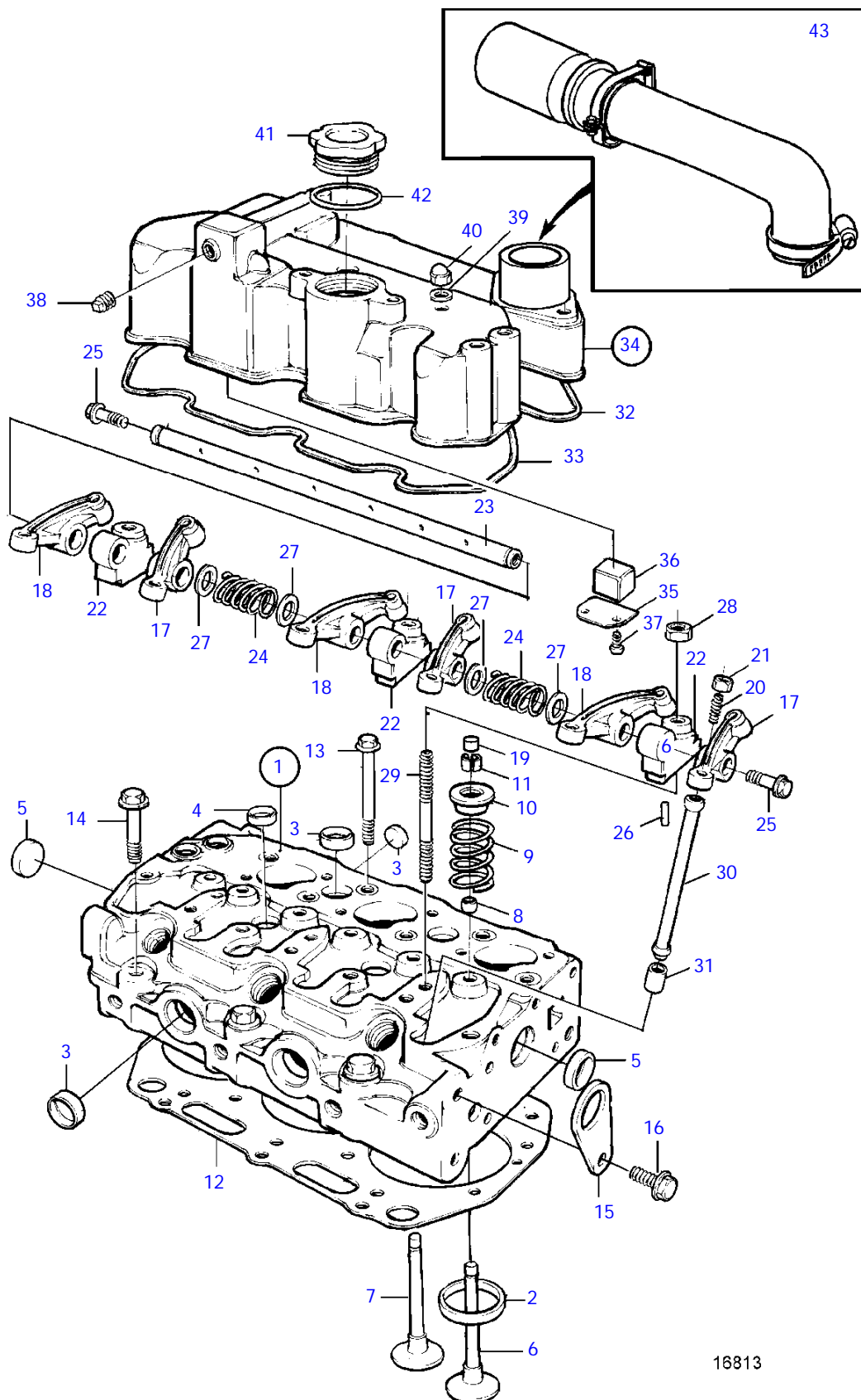


16812

MD2020C, MD2020D

REF	PART NO.	QTY	DESCRIPTION	NOTES
1	3580233	1	Cylinder head	
2	861802	2	* Plug	Replaced by 3886428
	3886428	2	* Cardboard tube	
3	861857	6	* Plug	Replaced by 21281436
	21281436	6	* Plug	Replaced by 3886430
	3886430	6	* Plug blank	
4	3807215	4	* Plug	
5	861858	3	* Inlet valve	
6	861859	3	* Exhaust valve	
7	861860	6	* Valve stem seal	
8	861861	6	* Valve spring	
9	861862	6	* Valve spring washer	
10	861863	12	* Valve cone	
11	861864	3	* Valve seat	
12	3580234	1	Cylinder head gasket	
13	861866	11	Screw	
14	861867	3	Screw	
15	(861869)	1	Lifting eye	Obsolete part
16	861870	1	Screw	
17	3581291	3	Rocker arm	
18	3581292	3	Rocker arm	
19	3581293	6	Valve cap	
20	861877	6	Screw	
21	861878	6	Nut	
22	3580237	1	Shaft	
23	861881	2	Spring	
24	861883	4	Adjusting washer	
25	3582684	3	Bracket	
26	861886	2	Plug	
27	861882	1	Tensioning din	
28	948645	3	Flange lock nut	
29	861885	3	Stud bolt	
30	3580238	1	Gasket	
31	3580239	1	Gasket	
32	3580240	1	Valve cover	
33		1	* Separator	
34	861891	1	* Filter	
35	967949	2	* Flange screw	
36	861893	1	* Plug	
37	11992	3	Gasket	
38	3580241	3	Nut	
39	3583541	1	Oil filler cap	(861896)
40	861897	1	O-ring	
41	3580243	2	Screw	
42	861828	6	Push rod	
43	861827	6	Tappet	
44		1	Air inlet	

MD2030C, MD2030D

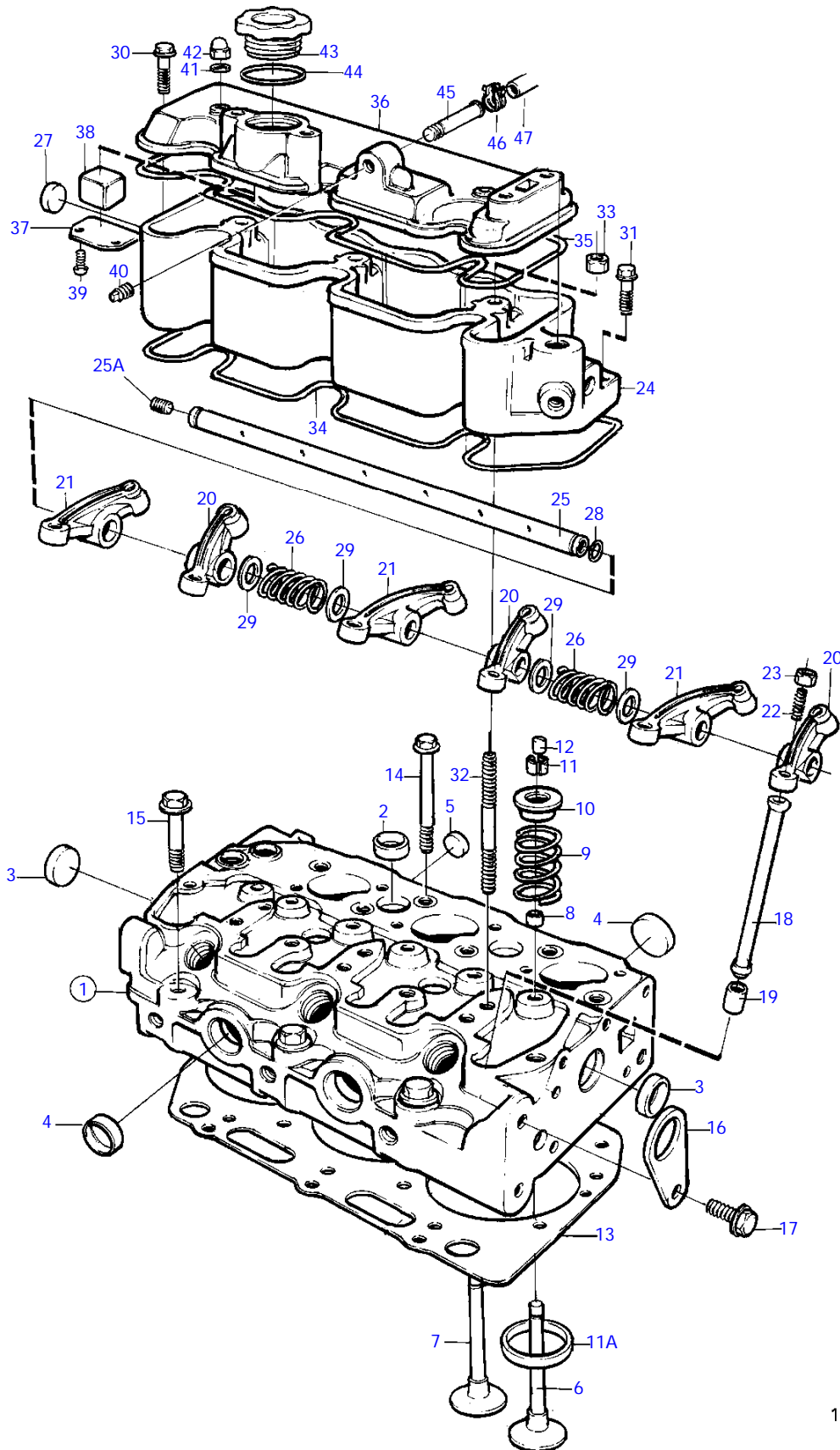


16813

MD2030C, MD2030D

REF	PART NO.	QTY	DESCRIPTION	NOTES
1	3580300	1	Cylinder head	
2	3580301	3	* Valve seat	
3	861802	6	* Plug	Replaced by 3886428
	3886428	6	* Cardboard tube	
4	861801	2	* Plug	Replaced by 3886427
	3886427	2	* Cardboard tube	
5	3580302	2	* Plug	
6	3580303	3	* Inlet valve	
7	3580304	3	* Exhaust valve	
8	3580305	3	* Valve stem seal, exhaust	
	3580306	3	* Valve stem seal, intake	
9	3580964	6	* Valve spring	
10	3580307	6	* Valve spring washer	
11	3580308	12	* Valve cone	
12	3580309	1	Cylinder head gasket	TH=1,3mm
13	3580310	11	Screw	
14	3580311	3	Screw	
15	(861869)	1	Lifting eye	Obsolete part
16	861870	2	Screw	
17	3581291	3	Rocker arm	
18	3581292	3	Rocker arm	
19	21250646	6	Valve cap	
20	861877	6	Screw	
21	861878	6	Nut	
22	3582684	3	Bracket	
23	3580314	1	Shaft	
24	3580315	2	Spring	
25	861886	2	Plug	
26	861882	1	Tensioning din	
27	861883	4	Adjusting washer	
28	948645	3	Flange lock nut	
29	861885	3	Stud bolt	
30	3580289	6	Push rod	
31	861827	6	Tappet	
32	3580316	1	Gasket	
33	3580317	1	O-ring	
34	3580318	1	Valve cover	
35		1	* Separator	
36	3580320	1	* Filter	
37	3580321	2	* Screw	
38	861893	1	* Plug	
39	11992	3	Gasket	
40	3580241	3	Nut	(861895)
41	3583541	1	Oil filler cap	(861896)
42	861897	1	O-ring	
43		1	Air inlet	

MD2040C, MD2040D

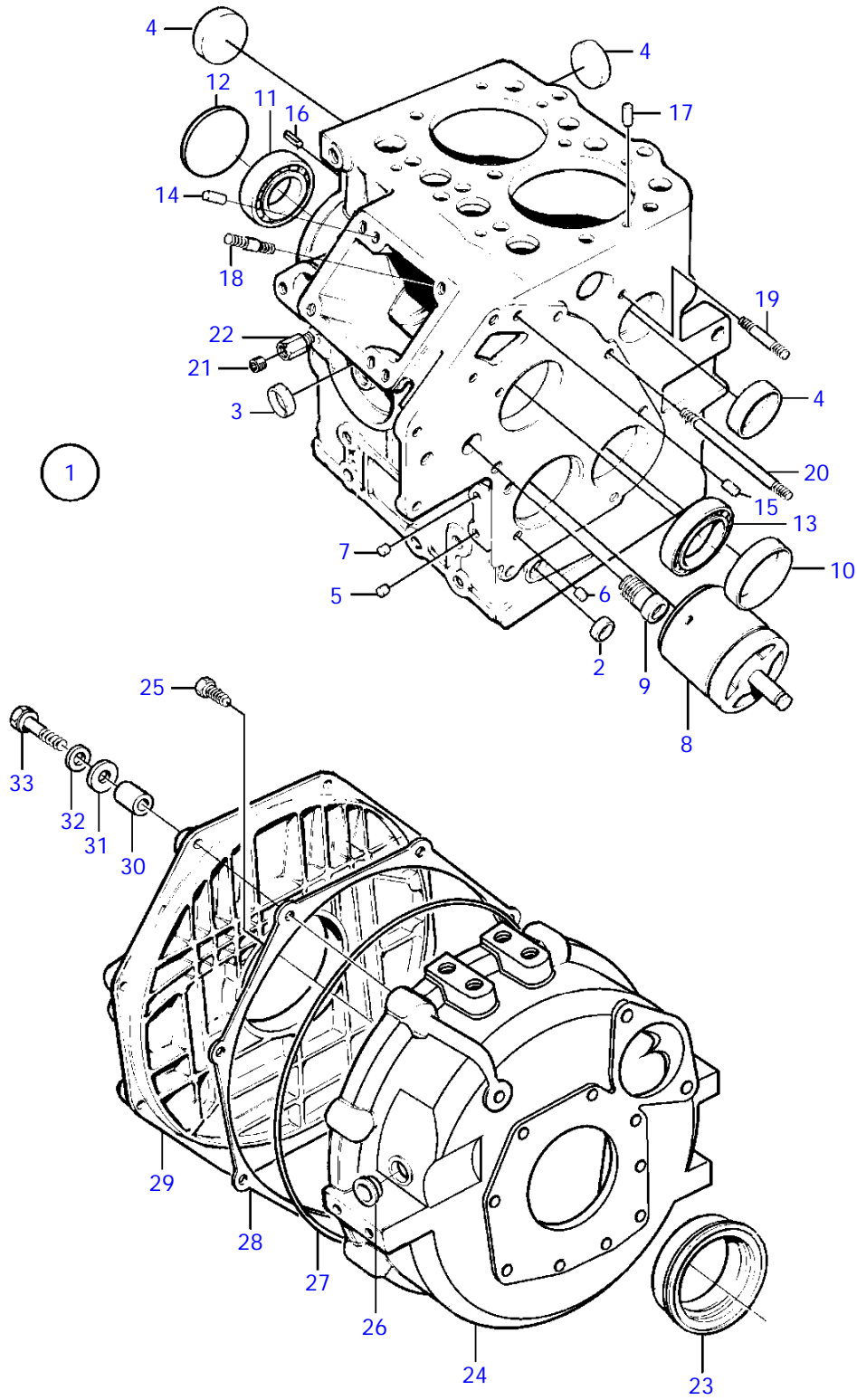


15899

MD2040C, MD2040D

REF	PART NO.	QTY	DESCRIPTION	NOTES
1	3580475	1	Cylinder head	
2	3580476	5	* Plug	
3	3580302	2	* Plug	
4	3583696	4	* Plug	
5	3580477	2	* Plug	
6	3580478	3	* Inlet valve	
7	21186282	3	* Valve	
8	3580306	3	* Valve stem seal, intake	
	3580305	3	* Valve stem seal, exhaust	
9	3580480	6	* Valve spring	
10	3580307	6	* Valve spring washer	
11	3580308	12	* Valve cone	
11A	3580660	3	* Valve seat, intake	
12	21250646	6	Valve cap	
13	3584202	1	Cylinder head gasket	(3580482)
14	3580483	11	Screw	
15	3580484	3	Screw	
16	(861869)	1	Lifting eye	Obsolete part
17	861870	1	Screw	
18	3580465	6	Push rod	
19	3580464	6	Tappet	
20	3580486	3	Rocker arm	
21	3580487	3	Rocker arm	
22	861877	6	Screw	
23	861878	6	Nut	
24	3582354	1	Bracket	
25	3580733	1	Shaft	
25A	3580734	1	Screw	
26	3580490	2	Spring	
27	861801	1	Plug	Replaced by 3583969
	3583696	1	Plug	
28	861997	1	O-ring	
29	3580491	4	Adjusting washer	
30	3580258	1	Screw	
31	3840802	1	Screw	
32	3580493	3	Stud	
33	3583664	3	Nut	
34	3580495	1	Gasket	
35	3580496	1	Gasket	
36	3580497	1	Valve cover	
37		1	* Retainer	
38	3580320	1	* Filter	
39	967949	2	* Flange screw	
40		1	* Plug	
41	3580499	3	Gasket	
42	3580241	3	Nut	
43	3583541	1	Oil filler cap	(861896)
44	861897	1	O-ring	
45	3580502	1	Hose connection	
46	961662	1	Hose clamp	
47	3580505	1	Hose	

MD2010C, MD2010D

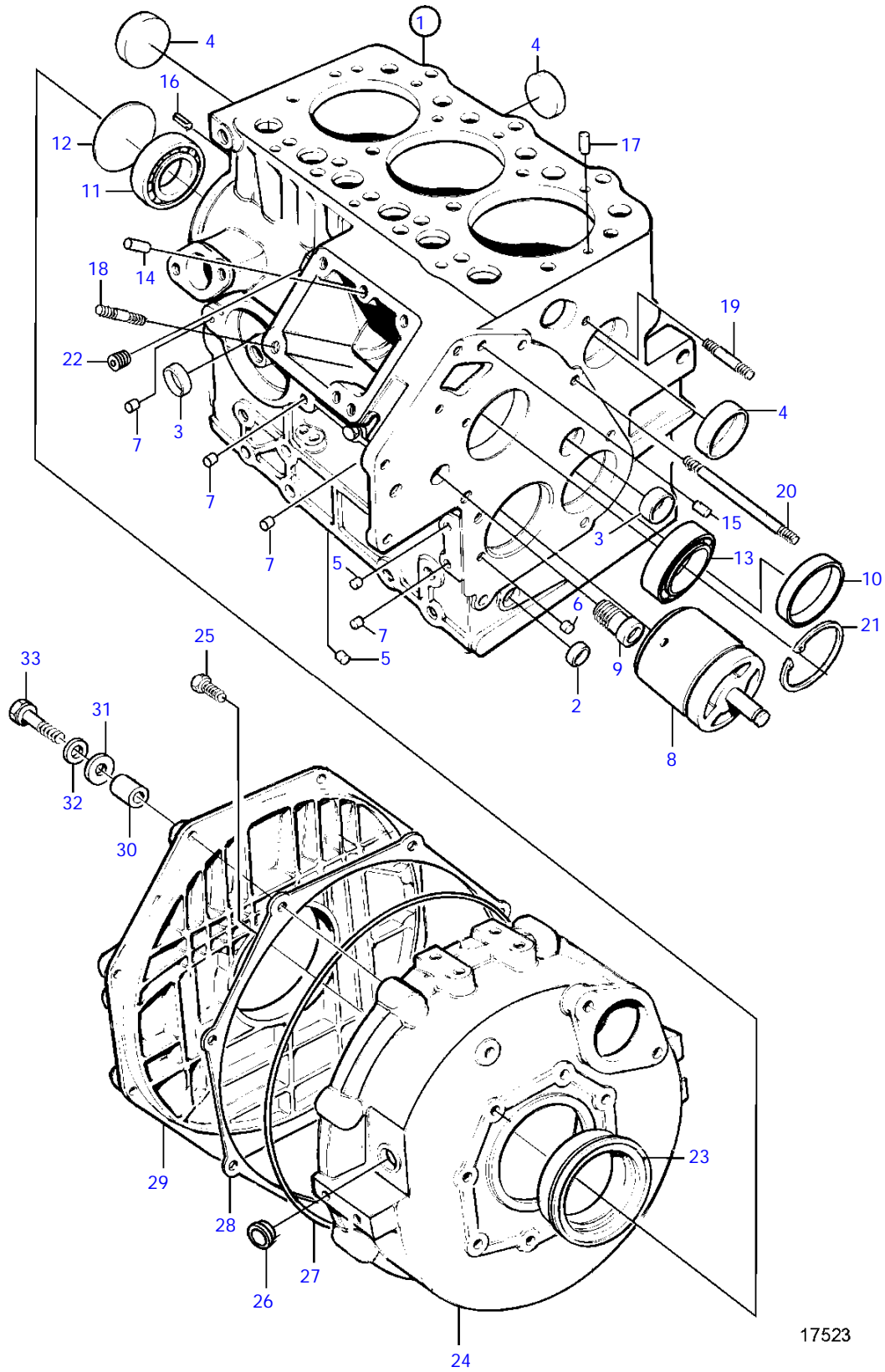


17519

MD2010C, MD2010D

REF	PART NO.	QTY	DESCRIPTION	NOTES
1	(861800)	1	Cylinder block	Obsolete part
2	861801	1	* Plug	Replaced by 3886427
	3886427	1	* Cardboard tube	
3	861802	2	* Plug	Replaced by 3886428
	3886428	2	* Cardboard tube	
4	861803	3	* Plug	Replaced by 21281430
	21281430	3	* Plug	
5	3807215	4	* Plug	(3580456)
6	861805	1	* Plug	D=5mm
7	861806	4	* Plug	D=9mm
8	(861807)	1	* Shaft	Obsolete part, Replaced by 21541017
	21541017	1	Oil pump	
9	861808	1	* Bushing	
10	3809705	1	* Bushing	Replaced by 21185006
	21185006	1	* Bushing	Std
	861810	1	* Main bearing	Replaced by 21246161
	21246161	1	* Main bearing	US 0.25mm
	861811	1	* Main bearing	Replaced by 21246162
	21246162	1	Main bearing	US 0.50mm
11	861812	1	* Bearing	Replaced by 11010
	11010	1	* Ball bearing	
12	861813	1	* Expansion plug	
13	861814	1	* Bearing	
14		2	* Pin	
15		2	* Dowel	
16		2	* Pin	
17	861818	2	* Spring pin	
18	861819	2	* Stud	
19	861820	1	* Stud	
20	3583709	1	* Stud	(861821)
21	861893	1	Plug	
22	861831	1	Connector	
23	861823	1	Sealing ring	
24	3581775	1	Flywheel housing	
25	946173	4	Flange screw	(861844)
26	861848	1	Plug	
27	861647	1	Guide ring	
28	861636	1	Isolation plate	
29	861633	1	Flywheel housing	
30	861635	1	Insulating bushing	
31	861634	8	Insulating washer	
32	945583	8	Washer	
33	946470	8	Flange screw	

MD2020C, MD2020D

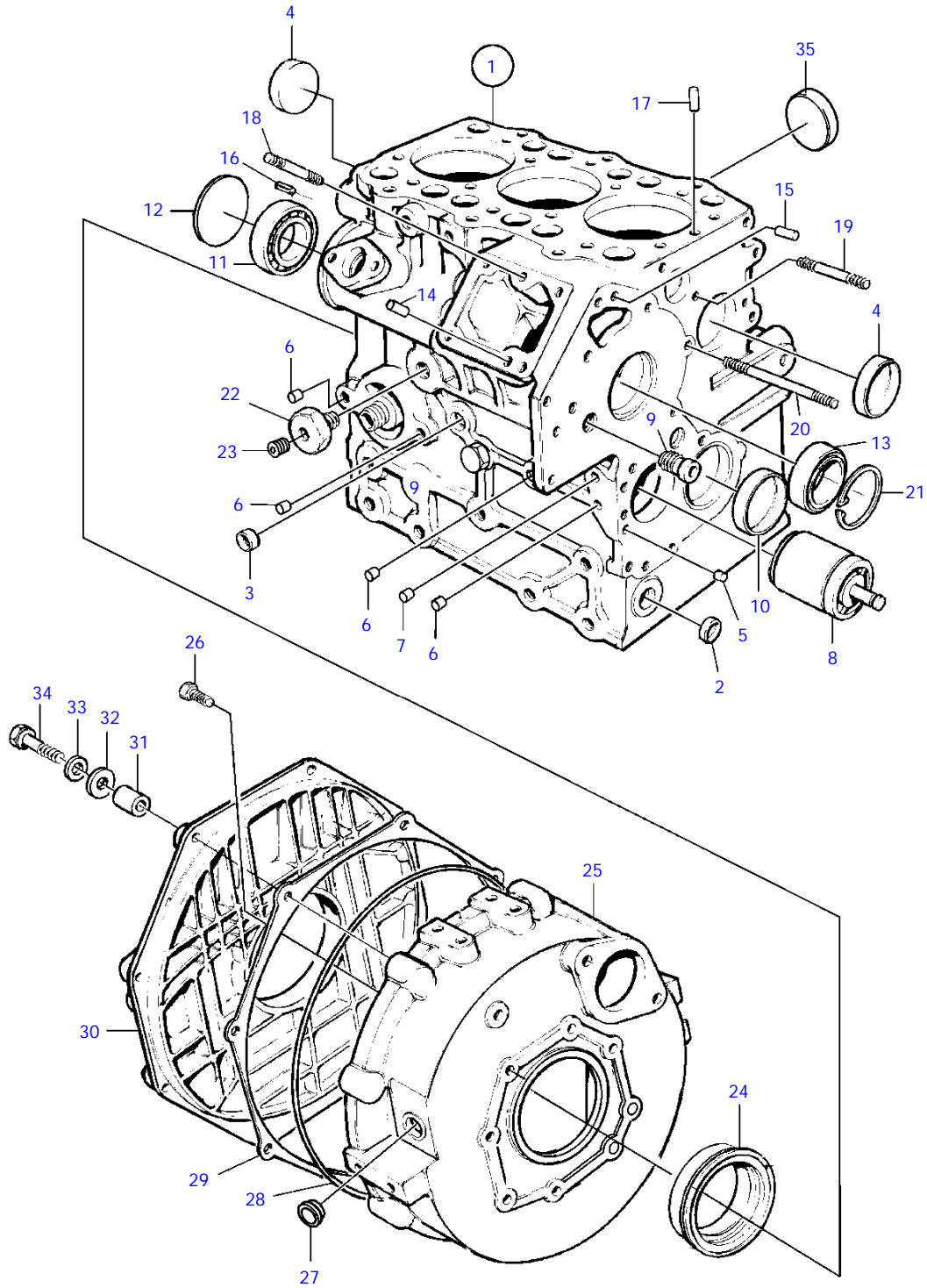


17523

MD2020C, MD2020D

REF	PART NO.	QTY	DESCRIPTION	NOTES
1	3582306	1	Cylinder block	
2	861801	1	* Plug	Replaced by 3886427
	3886427	1	* Cardboard tube	
3	861802	2	* Plug	Replaced by 3886428
	3886428	2	* Cardboard tube	
4	861803	4	* Plug	Replaced by 21281430
	21281430	4	* Plug	
5	3807215	5	* Plug	(3580456)
6	861805	1	* Plug	D=5mm
7	861806	4	* Plug	D=9mm
8	(861807)	1	* Shaft	Obsolete part, Replaced by 21541017
	21541017	1	Oil pump	
9	861808	1	* Bushing	
10	3809705	1	* Bushing	Replaced by 21185006
	21185006	1	Bushing	Std
	861810	1	* Main bearing	Replaced by 21246161
	21246161	1	* Main bearing	US 0.25mm
	861811	1	* Main bearing	Replaced by 21246162
	21246162	1	Main bearing	US 0.50mm
11	861812	1	* Bearing	Replaced by 11010
	11010	1	* Ball bearing	
12	861813	1	* Expansion plug	
13	861814	1	* Bearing	
14		2	* Pin	
15		2	* Dowel	
16		2	* Pin	
17	861818	2	* Spring pin	
18	861819	2	* Stud	
19	3583708	1	* Stud	(3580225)
20	3583709	1	* Stud	(861821)
21	3580226	1	* Lock ring	
22	861893	1	Plug	
23	861823	1	Sealing ring	
24	3581775	1	Flywheel housing	
25	946173	8	Flange screw	(861844)
26	861848	1	Plug	
27	861647	1	Guide ring	
28	861636	1	Isolation plate	
29	861633	1	Flywheel housing	
30	861635	1	Insulating bushing	
31	861634	8	Insulating washer	
32	945583	8	Washer	
33	946470	8	Flange screw	

MD2030C, MD2030D

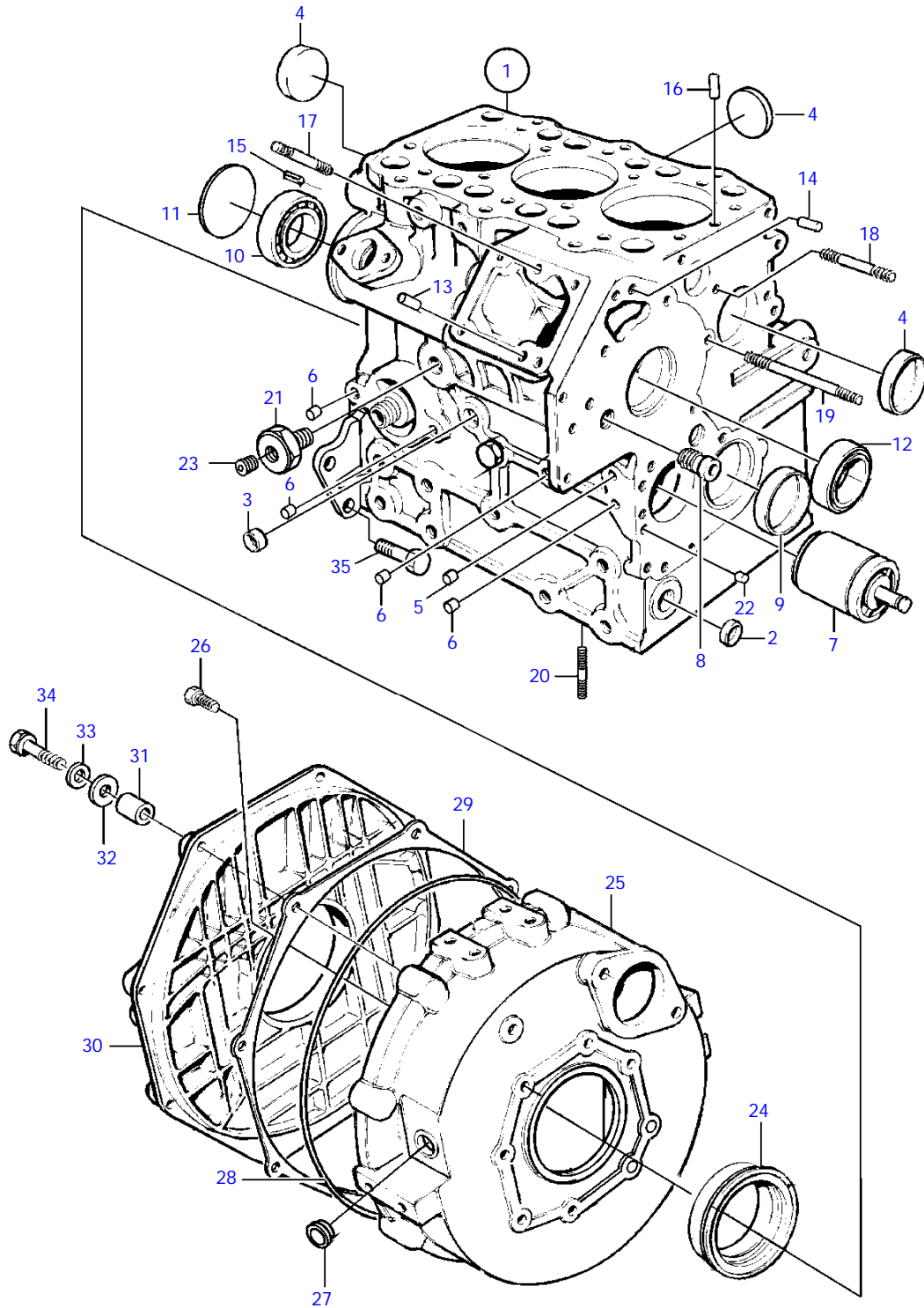


17540

MD2030C, MD2030D

REF	PART NO.	QTY	DESCRIPTION	NOTES
1	3582307	1	Cylinder block	
2	3886427	1	* Cardboard tube	
3	3583696	1	* Plug	
4	3583697	2	* Plug	
5	861805	1	* Plug	D=5mm
6	3807215	4	* Plug	(3580456)
7	861806	4	* Plug	D=9mm
8	(3580283)	1	* Shaft	Obsolete part, Replaced by 21541015
	21541015	1	Oil pump	
9	861808	1	* Bushing	
10	3580284	1	* Main bearing	
	3580285	1	* Main bearing	Replaced by 21255742
	21255742	1	* Main bearing	U.S=0,25mm
	3580286	1	* Main bearing	U.S=0.50mm
11	861812	1	* Bearing	Replaced by 11010
	11010	1	* Ball bearing	
12	861813	1	* Expansion plug	
13	861814	1	* Bearing	
14		2	* Pin	
15		2	* Dowel	
16		2	* Pin	
17	861818	2	* Spring pin	
18	861819	2	* Stud	
19	3583708	1	* Stud	(3580225)
20	3583709	1	* Stud	(861821)
21	3580226	1	Lock ring	
22	3580290	1	Bushing	
23	861893	1	Plug	
24	861823	1	Sealing ring	
25	(3580294)	1	Flywheel housing	Obsolete part
26	946471	8	Flange screw	
27	861848	2	Plug	
28	861647	1	Guide ring	
29	861636	1	Isolation plate	
30	861633	1	Flywheel housing	
31	861635	1	Insulating bushing	
32	861634	8	Insulating washer	
33	945583	8	Washer	
34	946470	8	Flange screw	
35	21281430	2	Plug	

MD2040C, MD2040D

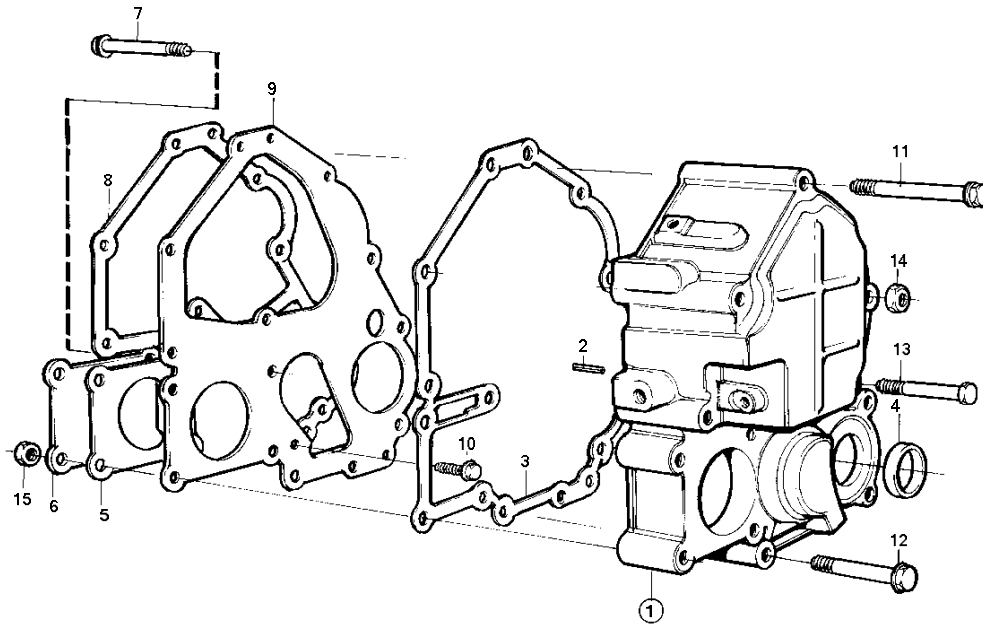


18399

MD2040C, MD2040D

REF	PART NO.	QTY	DESCRIPTION	NOTES
1	(3582308)	1	Cylinder block	Obsolete part
2	861801	1	* Plug	
3	3583696	1	* Plug	
4	3580282	3	* Plug	
5	861806	2	* Plug	
6	3807215	4	* Plug	D=9mm
7	(3583704)	1	* Shaft	D=5mm (3580456)
	21541021	1	Oil pump	(3580457), Obsolete part, Replaced by 21541021
8	861808	1	* Bushing	
9	3580458	1	* Main bearing	
	3580459	1	* Main bearing	
	3580460	1	* Main bearing	
10	861812	1	* Bearing	
11	861813	1	* Expansion plug	
12	3580461	1	* Bearing	
13		2	* Pin	
14		2	* Dowel	
15		2	* Pin	
16	861818	2	* Spring pin	
17	953042	2	* Stud	
18	3583708	1	* Stud	
19	3583709	1	* Stud	
20	(3580466)	4	* Stud	Obsolete part
21	3580290	1	* Bushing	
22	3580455	1	* Plug	
23	861893	1	Plug	
24	3580463	1	Sealing ring	
25	3580471	1	Flywheel housing	
26	946173	8	Flange screw	(861849)
27	861848	2	Plug	
28	861647	1	Guide ring	
29	861636	1	Isolation plate	
30	861633	1	Flywheel housing	
31	861635	1	Insulating bushing	
32	861634	8	Insulating washer	
33	945583	8	Washer	
34	946470	8	Flange screw	
35	946472	4	Flange screw	(3580473)

MD2010C, MD2010D, MD2020C, MD2020D

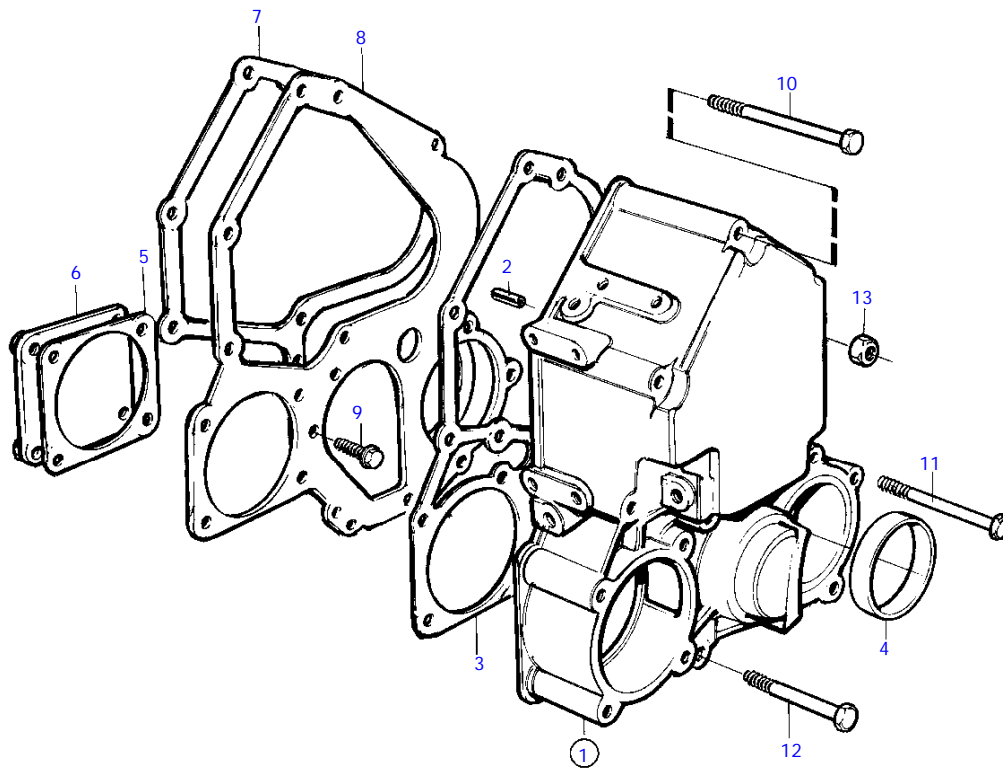


15033

MD2010C, MD2010D, MD2020C, MD2020D

REF	PART NO.	QTY	DESCRIPTION	NOTES
1	3580023	1	Timing gear casing	
2		1	* Tensioning din	
3	3580025	1	Gasket	
4	3580026	1	Sealing ring	
5	3580060	1	Gasket	
6	3580059	1	Cardboard tube	
7	965216	2	Flange screw	(3580052)
8	861536	1	Gasket	
9	861535	1	Front plate	
10	967949	3	Flange screw	
11	861899	2	Screw	
12	3580053	4	Screw	
13	965178	2	Flange screw	(3580054)
14	945407	1	Flange nut	
15	948645	2	Flange lock nut	

MD2030C, MD2030D

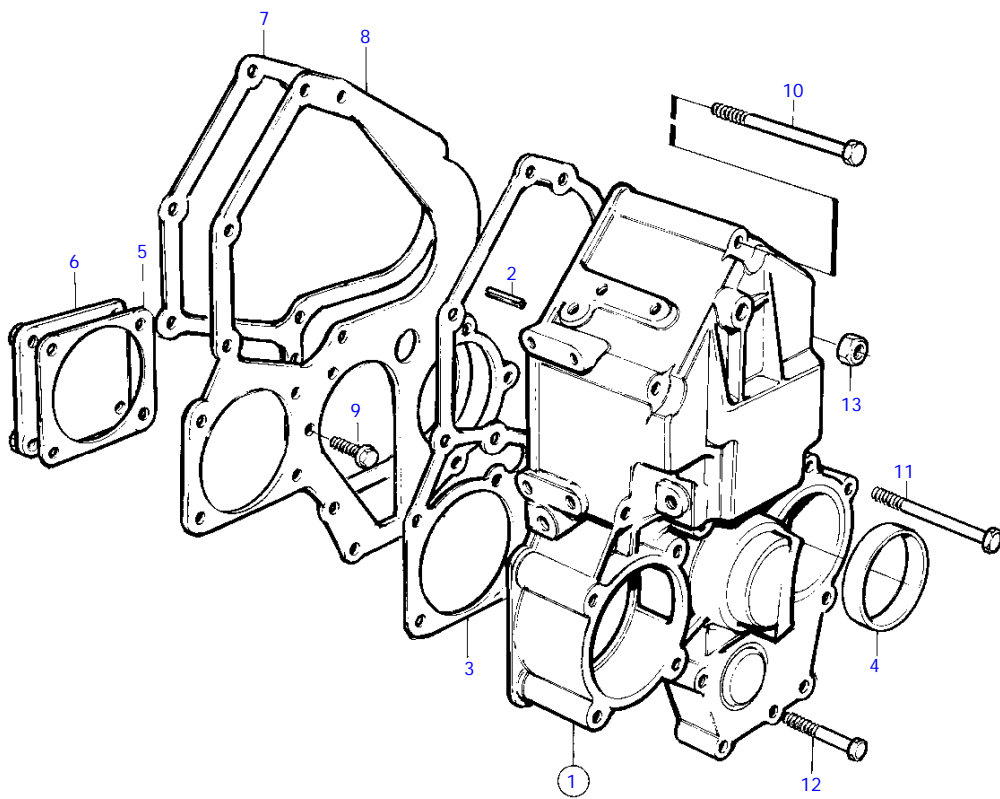


15034

MD2030C, MD2030D

REF	PART NO.	QTY	DESCRIPTION	NOTES
1	3580373	1	Timing gear casing	
2		1	* Tensioning din	
3	3580374	1	Gasket	
4	3580026	1	Sealing ring	
5	3580378	1	Gasket	
6	3580377	1	Cardboard tube	Replaced by 3583714
	3583714	1	Cardboard tube	
7	3580360	1	Gasket	
8	3580359	1	Front plate	
9	967949	3	Flange screw	
10	861899	2	Screw	
11	965178	2	Flange screw	(3580054)
12	3580053	4	Screw	
13	945407	1	Flange nut	

MD2040C, MD2040D

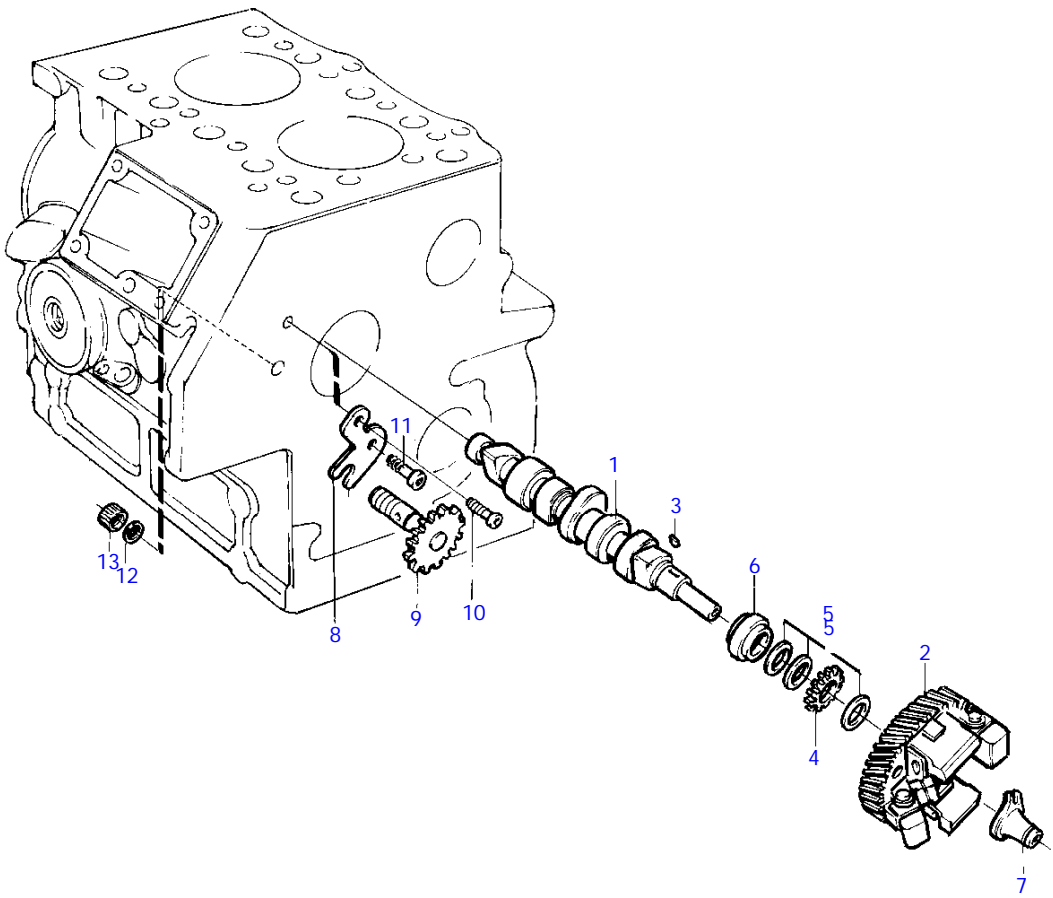


15035

MD2040C, MD2040D

REF	PART NO.	QTY	DESCRIPTION	NOTES
1	3580584	1	Timing gear casing	
2		1	* Tensioning din	
3	3583710	1	Gasket	(3580585)
4	3580586	1	Sealing ring	
5	3580378	1	Gasket	
6	3580377	1	Cardboard tube	Replaced by 3580377
	3583714	1	Cardboard tube	
7	3583707	1	Gasket	(3580572)
8	3580571	1	Front plate	Replaced by 3809322
	3809322	1	Plate	Replaced by 21299880
	21299880	1	Plate	
9	967949	3	Flange screw	
10	861899	2	Screw	
11	965178	5	Flange screw	(3580054)
12	3580371	6	Screw	
13	945407	4	Flange nut	

MD2010C, MD2010D

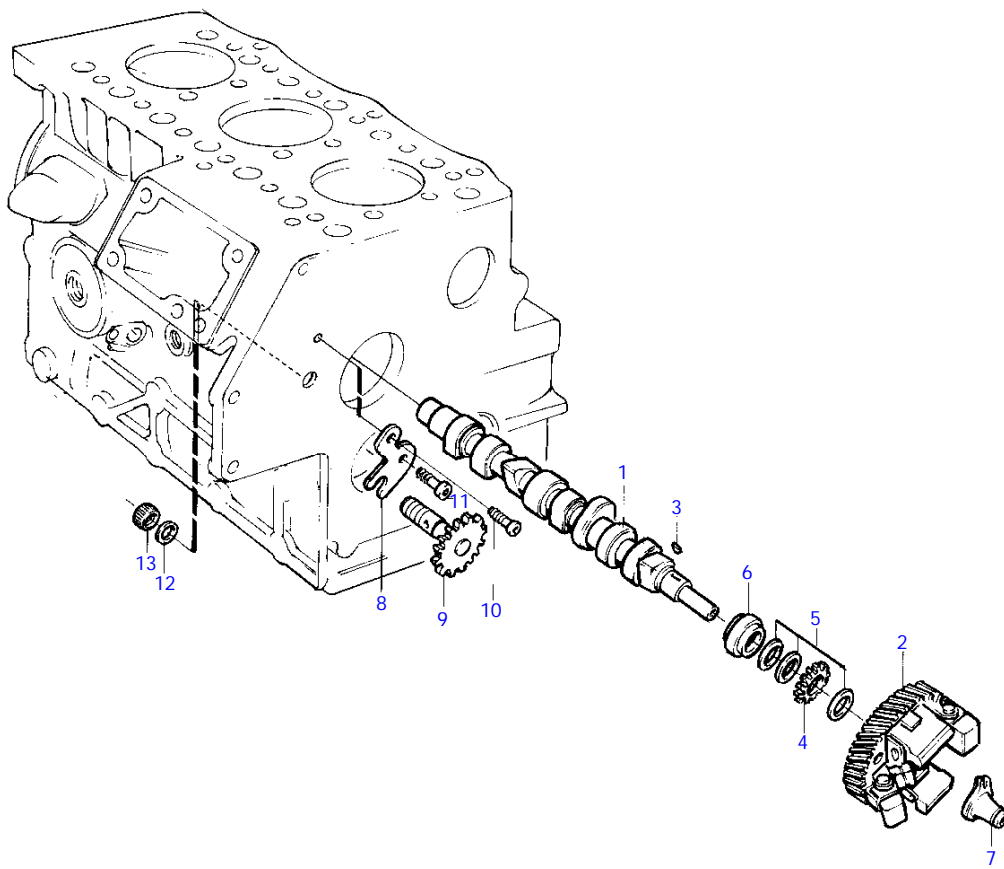


11680

MD2010C, MD2010D

REF	PART NO.	QTY	DESCRIPTION	NOTES
1	861979	1	Camshaft	
2	861980	1	Gear	
3	861969	1	Woodruff key	
4	861982	1	Gear	
5	861983	3	Spacer	
6	861984	1	Bearing	
7	861985	1	Sliding sleeve	
8	861991	1	Plate	
9	861992	1	Spindle	
10	(861994)	1	Screw	Obsolete part
11	861526	1	Screw	
12	861995	1	Gasket	
13	861996	1	Nut	

MD2020C, MD2020D

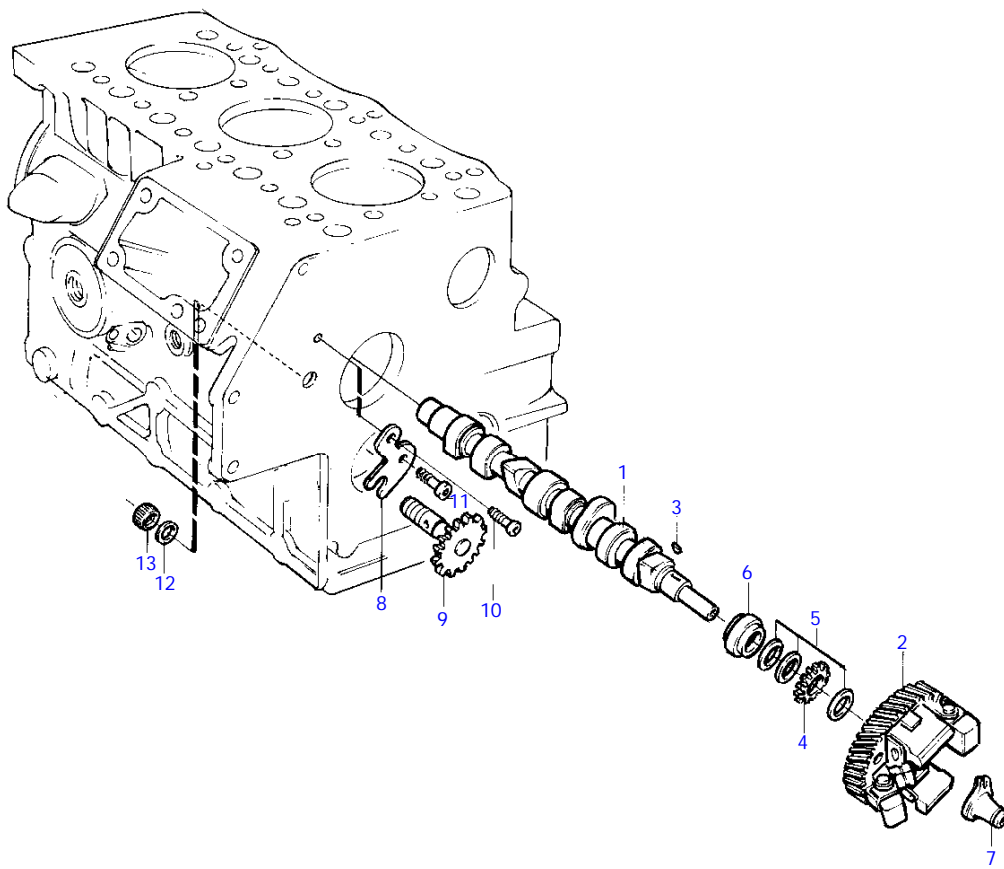


15046

MD2020C, MD2020D

REF	PART NO.	QTY	DESCRIPTION	NOTES
1	888579	1	Camshaft	
2	861980	1	* Gear	
3	861969	1	* Woodruff key	
4	861982	1	* Gear	
5	861983	3	* Spacer	
6	861984	1	* Bearing	
7	861985	1	Sliding sleeve	
8	861991	1	Plate	
9	861992	1	Spindle	
10	861526	1	Screw	
11	(861994)	1	Screw	Obsolete part
12	861995	1	Gasket	
13	861996	1	Nut	

MD2030C, MD2030D

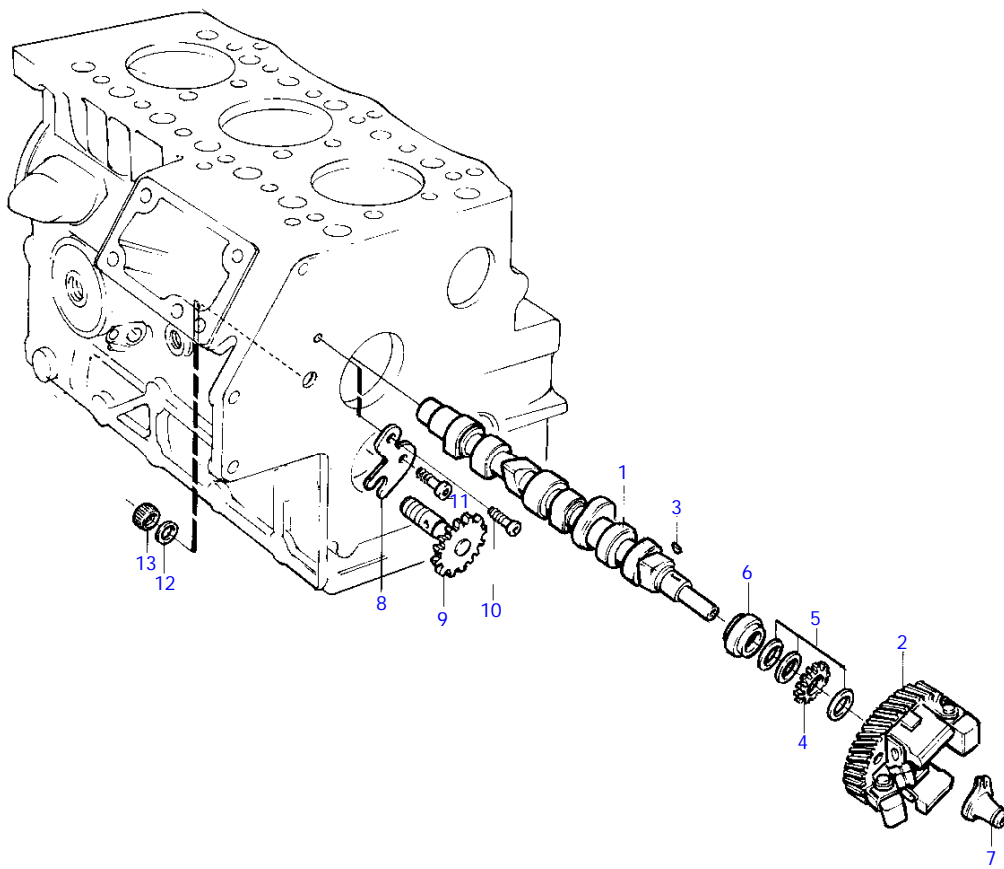


15046

MD2030C, MD2030D

REF	PART NO.	QTY	DESCRIPTION	NOTES
1	3580356	1	Camshaft	
2	3580357	1	* Gear	
3	861969	1	* Woodruff key	
4	861982	1	* Gear	
5	861983	3	* Spacer	
6	861984	1	* Bearing	
7	861985	1	Sliding sleeve	
8	861991	1	Plate	
9	861992	1	Spindle	
10	861526	1	Screw	
11	(861994)	1	Screw	Obsolete part
12	861995	1	Gasket	
13	861996	1	Nut	

MD2040C, MD2040D

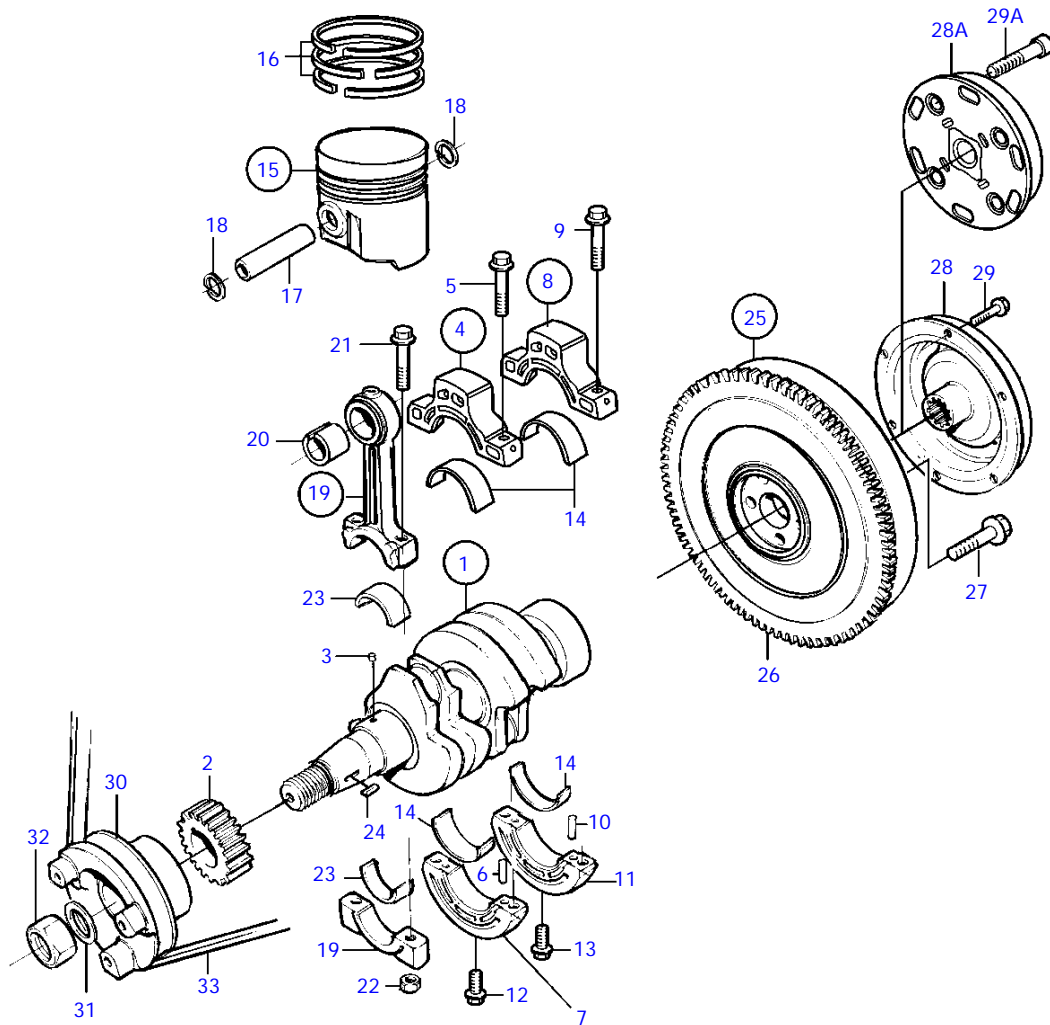


15046

MD2040C, MD2040D

REF	PART NO.	QTY	DESCRIPTION
1	3580565	1	Camshaft
2	3580566	1	* Gear
3	861969	1	* Woodruff key
4	861982	1	* Gear
5	861983	3	* Spacer
6	3580567	1	* Bearing
7	3580568	1	Sliding sleeve
8	861991	1	Plate
9	861992	1	Spindle
10	861526	1	Screw
11	861526	1	Screw
12	861995	1	Gasket
13	861996	1	Nut

MD2010C, MD2010D

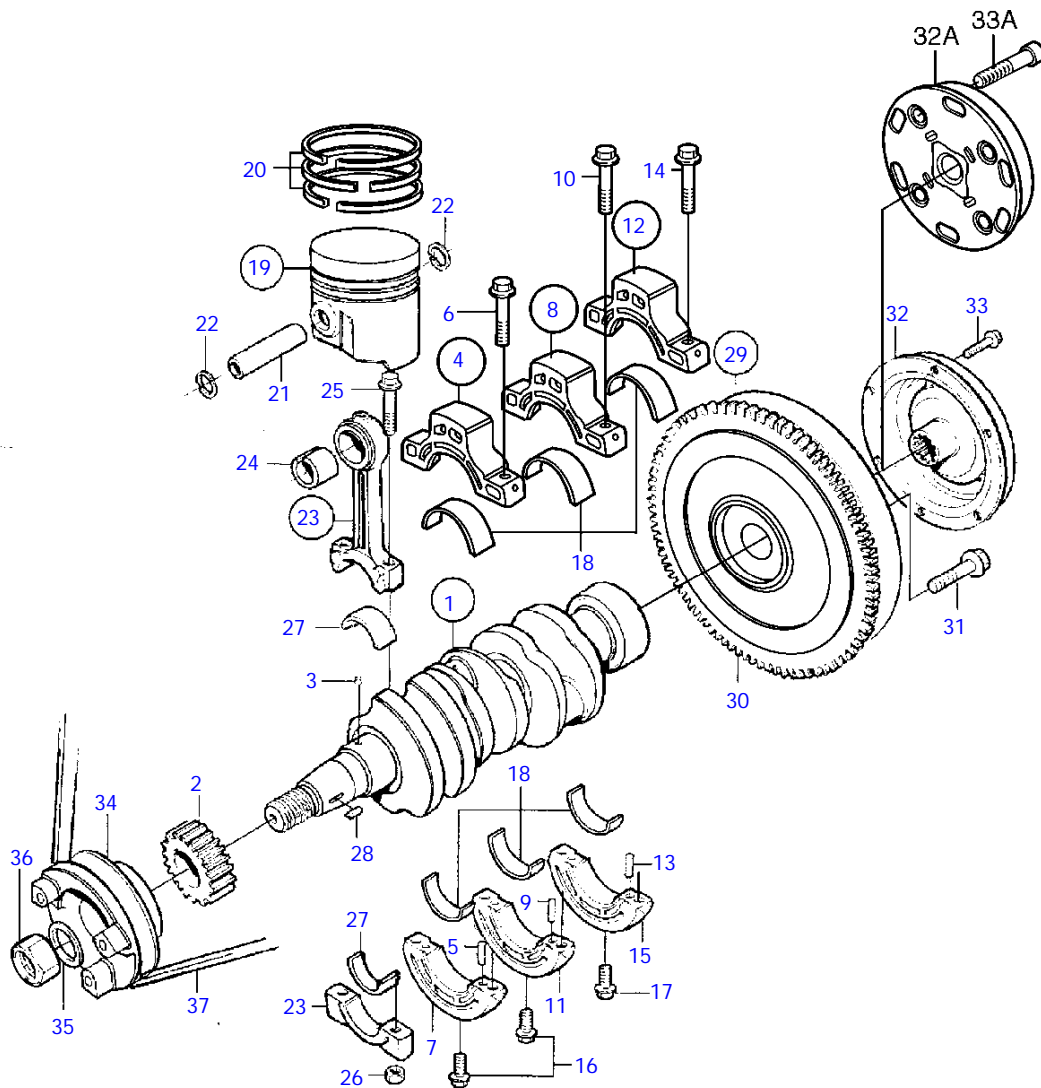


22731

MD2010C, MD2010D

REF	PART NO.	QTY	DESCRIPTION	SEE SEC.	NOTES
1	861932	1	Crankshaft		
2	(861933)	1	* Gear		Obsolete part
3	861934	1	* Key		
4		1	Retainer		
5	947760	2	* Flange screw		
6		2	* Pin		
7		1	* Retainer		
8		1	Retainer		
9	947760	2	* Flange screw		(861936)
10		2	* Pin		
11		1	* Retainer		
12	861952	1	Screw		
13	861953	2	Screw		
14	876657	1	Main bearing kit		Std
	876658	1	Main bearing kit		U.S.=0,25mm
	876659	1	Main bearing kit		U.S.=0,50mm
15	876692	2	Piston kit		Std
	876696	2	Piston kit		O.S.=0,25mm
	876814	2	Piston kit		O.S.=0,50mm
16	861954	2	* Piston ring kit		Std
	861955	2	* Piston ring kit		O.S.=0,25mm
	861956	2	* Piston ring kit		O.S.=0,50mm
17	861960	2	* Piston pin		
18	861961	4	* Lock ring		
19	861962	2	Connecting rod		
20	861963	2	* Bushing		
21	861964	4	* Screw		
22	861965	4	* Nut		
23	876669	1	Big-end bearing kit		Std
	876670	1	Big-end bearing kit		U.S.=0,25mm
	876671	1	Big-end bearing kit		U.S.=0,50mm
24	861969	1	Woodruff key		
25	861972	1	Flywheel		
26	861973	1	* Gear ring		
27	861974	4	Screw		
28	872809	1	Vibration damper		Up to MD2010C, Use together with drive unit 120S and MS2L
28A	3885414	1	Vibration damper		MD2010D, Use together with drive unit 130S, MS10L
29	861975	6	Screw		Up to MD2010C
29A	959207	6	Hex. socket screw		MD2010D
30	861976	1	Pulley		
31	861978	1	Washer		
32	861977	1	Nut		
33		1	V-belt	4187	

MD2020C, MD2020D

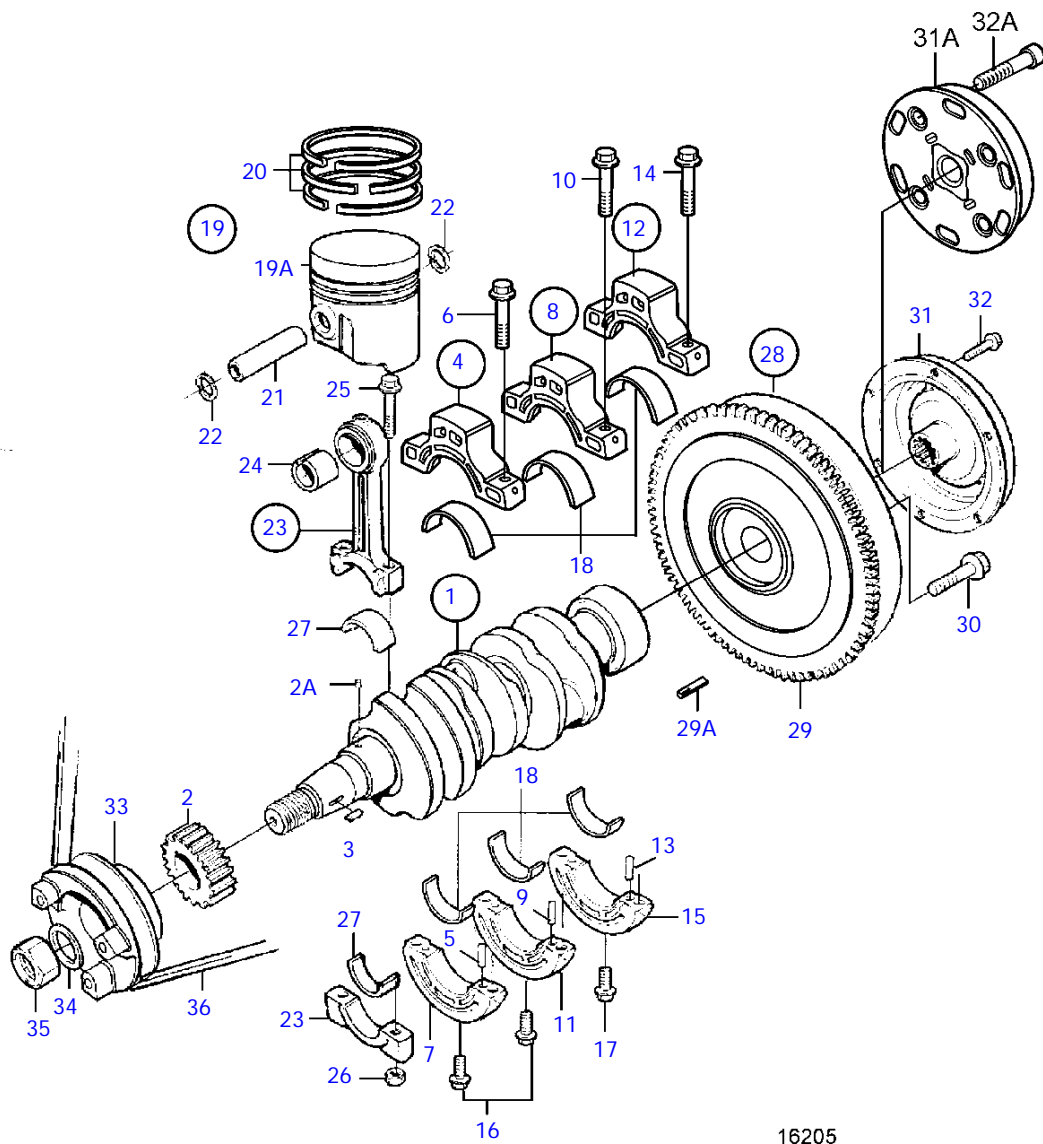


17535

MD2020C, MD2020D

REF	PART NO.	QTY	DESCRIPTION	SEE SEC.	NOTES
1	3580253	1	Crankshaft		
2	(861933)	1	* Gear		Obsolete part
3	861934	1	* Key		
4		1	Retainer		
5		2	* Pin		
6	947760	2	* Flange screw		(861936)
7		1	* Retainer		
8		1	Retainer		
9		2	* Pin		
10	947760	2	* Flange screw		(861936)
11		1	* Retainer		
12		1	Retainer		
13		2	* Pin		
14	947760	2	* Flange screw		(861936)
15		1	* Retainer		
16	861952	2	Screw		
17	861953	2	Screw		
18	876666	1	Main bearing kit		Std D
	876667	1	Main bearing kit		U.S.=0.25mm
	876668	1	Main bearing kit		U.S.=0.50mm
19	876692	3	Piston kit		Std D
	876696	3	Piston kit		O.S.=0.25mm
	876814	3	Piston kit		O.S.=0.50mm
20	861954	3	* Piston ring kit		Std D
	861955	3	* Piston ring kit		O.S.=0.25mm
	861956	3	* Piston ring kit		O.S.=0.50mm
21	861960	3	* Piston pin		
22	861961	6	* Lock ring		
23	861962	3	Connecting rod		
24	861963	3	* Bushing		
25	861964	6	* Screw		
26	861965	6	* Nut		
27	876672	1	Big-end bearing kit		Std D
	876680	1	Big-end bearing kit		U.S.=0.25mm
	876681	1	Big-end bearing kit		U.S.=0.50mm
28	861969	1	Woodruff key		
29	861972	1	Flywheel		
30	861973	1	* Gear ring		
31	861974	4	Screw		
32	872809	1	Vibration damper		Up to MD2020C, Use together with drive unit 120S and MS2L
32A	3885414	1	Vibration damper		MD2020D, Use together with drive unit 130S, MS10L
33	861975	6	Screw		Up to MD2020C
33A	959207	6	Hex. socket screw		MD2020D
34	3580255	1	Pulley		
35	861978	1	Washer		
36	861977	1	Nut		
37		1	V-belt	4187	

MD2030C, MD2030D



16205

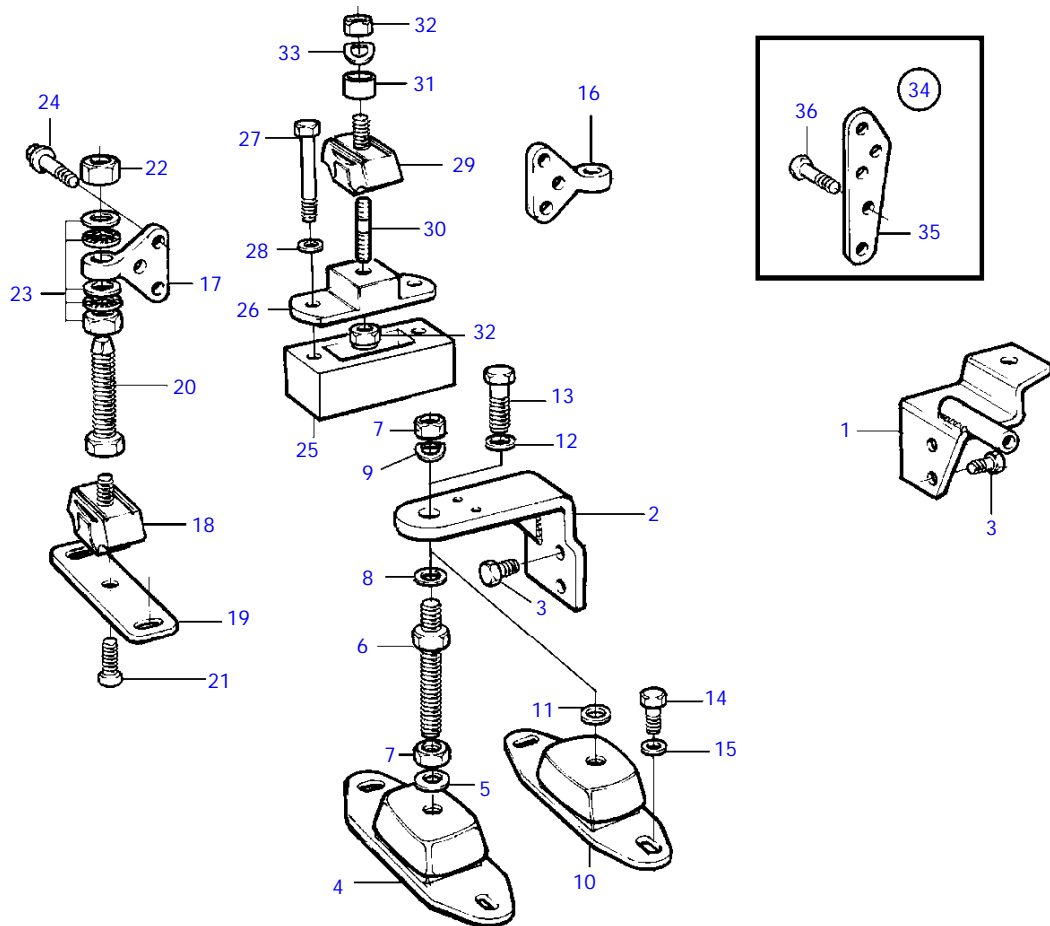
MD2030C, MD2030D

REF	PART NO.	QTY	DESCRIPTION	SEE SEC.	NOTES
1	3580332	1	Crankshaft		
2	(3580333)	1	* Gear		Obsolete part
2A	861934	1	* Key		
3	861969	1	Woodruff key		
4		1	Retainer		
5		2	* Pin		
6	947760	2	* Flange screw		(861936)
7		1	* Retainer		
8		1	Retainer		
9		2	* Pin		
10	947760	2	* Flange screw		(861936)
11		1	* Retainer		
12		1	Retainer		
13		2	* Pin		
14	947760	2	* Flange screw		(861936)
15		1	* Retainer		
16	861953	2	Screw		
17	861952	2	Screw		
18	876660	1	Main bearing kit		Std D
	876661	1	Main bearing kit		U.S=0,25mm
	876662	1	Main bearing kit		U.S=0,50mm
19	876694	3	Piston kit		Std D
	876698	3	Piston kit		Over size 0,50mm
	876816	3	Piston kit		Over size 1,00mm
19A	876694	3	* Piston kit		Std D
19	876698	3	* Piston kit		Over size 0,50mm
	876816	3	* Piston kit		Over size 1,00mm
20	3580337	3	* * Piston ring kit		Std D
			* Bulletin P-21-3-2	P-21-3-2-EN	Piston Ring Kit 3580337
20	3580338	3	* * Piston ring kit		Over size 0,50mm
	3580339	3	* * Piston ring kit		Over size 1,00mm
21	3580343	3	* Piston pin		
22	3580344	6	* Lock ring		
23	3580345	3	Connecting rod		
24	3580346	3	* Bushing		
25	3580347	6	* Screw		
26	3580348	6	* Nut		
27	876682	1	Big-end bearing kit		Std D
	876683	1	Big-end bearing kit		U.S=0,25mm
	876684	1	Big-end bearing kit		U.S=0,50mm
28	3580353	1	Flywheel		
29	3580354	1	* Gear ring		
29A	3580352	1	Locating pin		
30	3580355	6	Screw		
31	872809	1	Vibration damper		Use together with drive unit 120S and MS2L
31A	3885414	1	Vibration damper		Use together with drive unit 130S, MS10L
32	861975	6	Screw		MD2030C
32A	959207	6	Hex. socket screw		MD2030D
33	3580255	1	Pulley		MD2030C
34	861978	1	Washer		MD2030D
35	861977	1	Nut		
36		1	V-belt	4191	MD2030C

MD2040C, MD2040D

REF	PART NO.	QTY	DESCRIPTION	SEE SEC.	NOTES
1	3580531	1	Crankshaft		
2	3580532	1	* Gear		
3	861934	1	* Key		
4	861969	1	* Woodruff key		
5		1	Retainer		
6		2	* Pin		
7	965221	2	* Flange screw	(3580534)	
8		1	* Retainer		
9		1	Retainer		
10		2	* Pin		
11	965221	2	* Flange screw	(3580534)	
12		1	* Retainer		
13		1	Retainer		
14		2	* Pin		
15	965221	2	* Flange screw	(3580534)	
16		1	* Retainer		
17	965188	2	Flange screw	(3580544)	
18	3580545	2	Screw		
19	876663	1	Main bearing kit		
	876664	1	Main bearing kit		
	876665	1	Main bearing kit		
20	3580543	2	Thrust washer		
21	876695	3	Piston kit	Std D	
	876817	3	Piston kit	O.S.=0.50mm	
22	3580546	3	* Piston ring kit		
	3580547	3	* Piston ring kit		
23	3580550	3	* Piston pin		
24	3580551	6	* Lock ring		
25	3580552	3	Connecting rod		
26	3580553	3	* Bushing		
27	3580554	6	* Screw		
28	3580555	6	* Nut		
29	876685	1	Big-end bearing kit	Std D	
	876686	1	Big-end bearing kit	U.S.=0.25mm	
	876687	1	Big-end bearing kit	U.S.=0.50mm	
30	3580352	1	Locating pin		
31	3583315	1	Flywheel	(3580559)	
31A	3580560	1	* Gear ring		
32	3580561	6	Screw		
33	872809	1	Vibration damper	Up to MD2040C, Use together with drive unit 120S and MS2L	
33A	3885414	1	Vibration damper	MD2040D, Use together with drive unit 130S, MS10L	
34	861975	6	Screw	Up to MD2040C	
34A	959207	6	Hex. socket screw	MD2040D	
35	3580562	1	Pulley		
36	3580564	1	Washer		
37	3580563	1	Nut		
38		1	V-belt	4191	

MD2010C, MD2010D

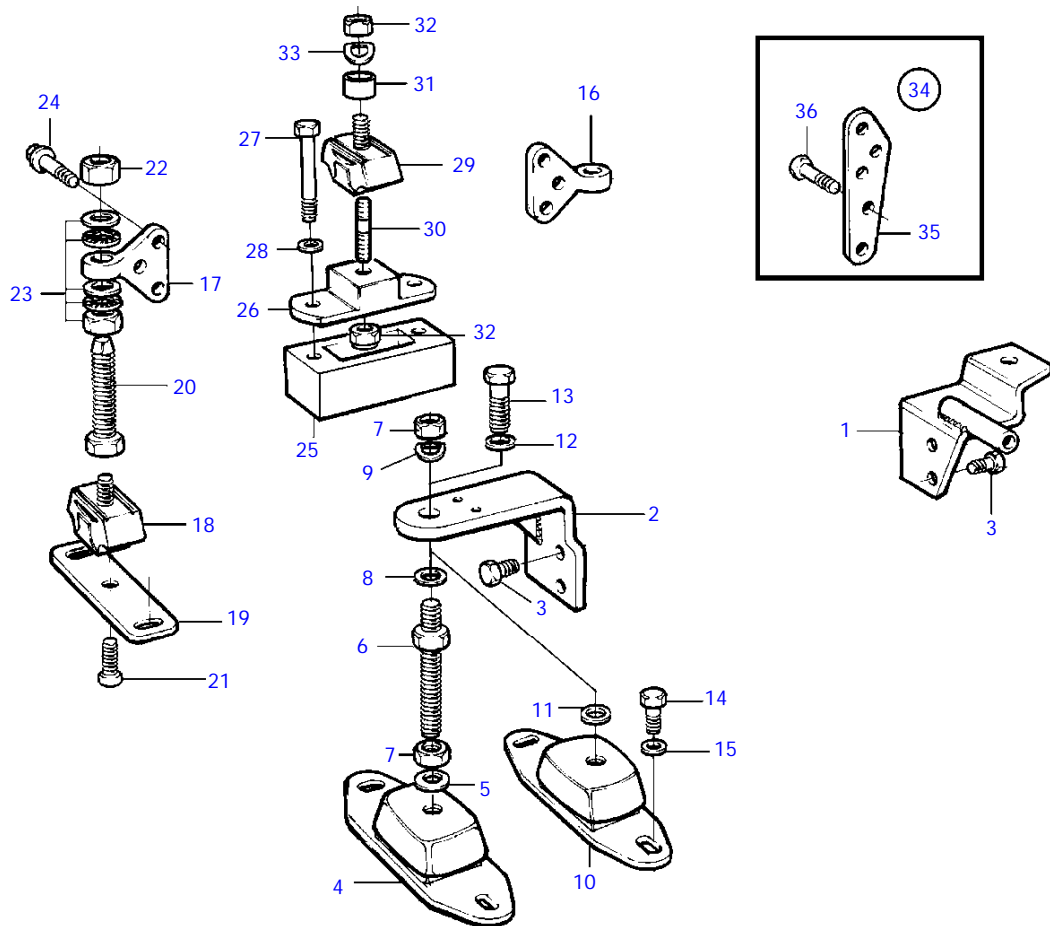


17692

MD2010C, MD2010D

REF	PART NO.	QTY	DESCRIPTION	NOTES
1	3580113	1	Engine mountings, front	P
2	3580114	1	Engine mountings, front	S.B
3	946329	4	Flange screw	
4	861460	2	Rubber cushion	
5	955900	2	Washer	
6	861431	2	Adjusting screw	
7	955821	4	Hexagon nut	
8	955900	2	Washer	
9	941912	2	Spring washer	
16	860343	1	Engine bracket, rear	P
17	860344	1	Engine bracket, rear	S.B
18	838262	2	Rubber element	
19	838263	2	Attaching plate	
20	838264	2	Adjuster bolt	
21	949149	2	Hex. socket screw	
22	955806	4	Hexagon nut	
23	829893	8	Lock washer	
24	965185	6	Flange screw	
34	(858566)	1	Bracket kit	Obsolete part, For deep engine installation.
35	858550	1	* Anchorage, rear	For deep engine installation., P
	858551	1	* Anchorage, rear	For deep engine installation., S.B
36	970948	4	* Hexagon screw	L=30mm
	965185	4	* Flange screw	L=40mm (970950)
	970954	2	* Hexagon screw	L=60mm

MD2010C, MD2010D

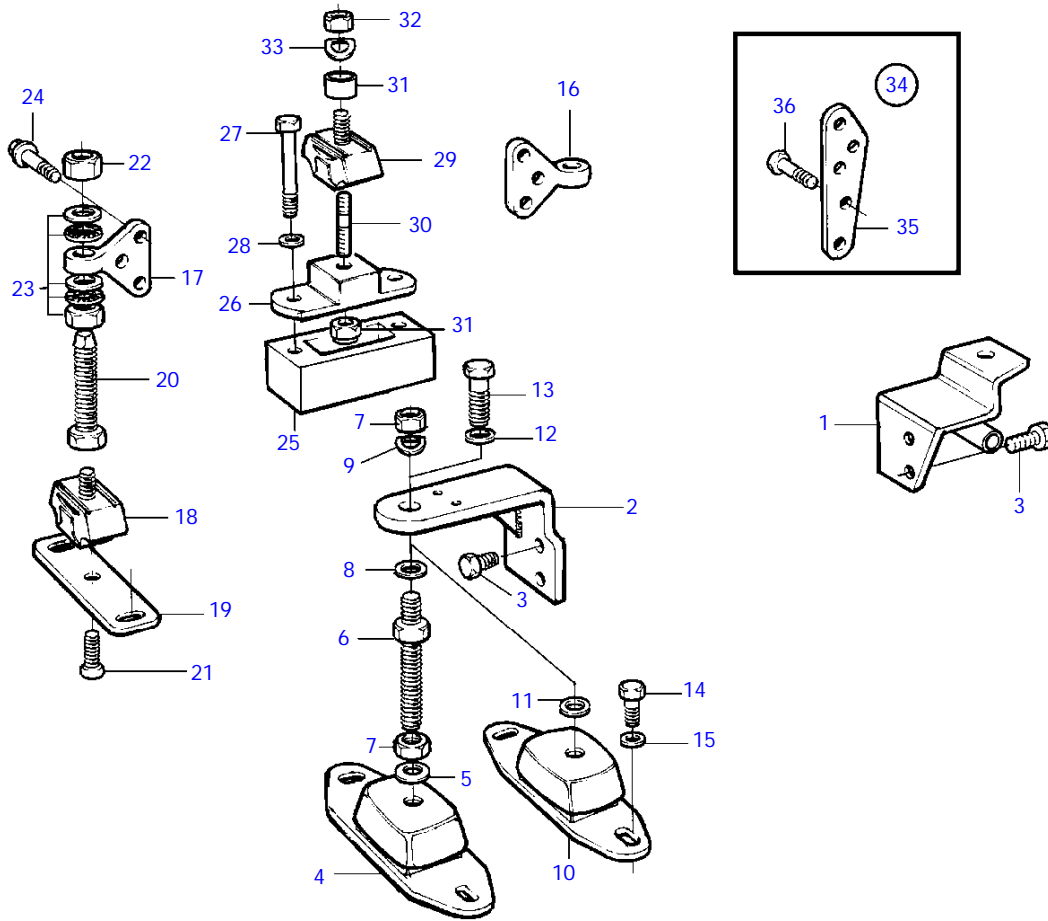


17692

MD2010C, MD2010D

REF	PART NO.	QTY	DESCRIPTION	NOTES
1	3580113	1	Engine mountings, front	P
2	3580114	1	Engine mountings, front	S,B
3	946329	4	Flange screw	
10	861460	2	Rubber cushion	
11	955900	2	Washer	
12	941912	2	Spring washer	
13	959710	2	Hexagon screw	
14	963580	4	Hexagon screw	
15	976945	4	Washer	(960148)
25	852697	1	Spacer	
26	850338	1	Bracket	
27	(963590)	2	Hexagon screw	Obsolete part
28	853095	2	Washer	
29	850404	1	Rubber element	Replaced by 1pc rubber element 840845 and 1pc stud 924075.
	840845	1	Rubber element	
30	924075	1	Stud	
31	852554	1	Bushing	
32	971095	2	Flange nut	
33	941908	2	Spring washer	

MD2020C, MD2020D

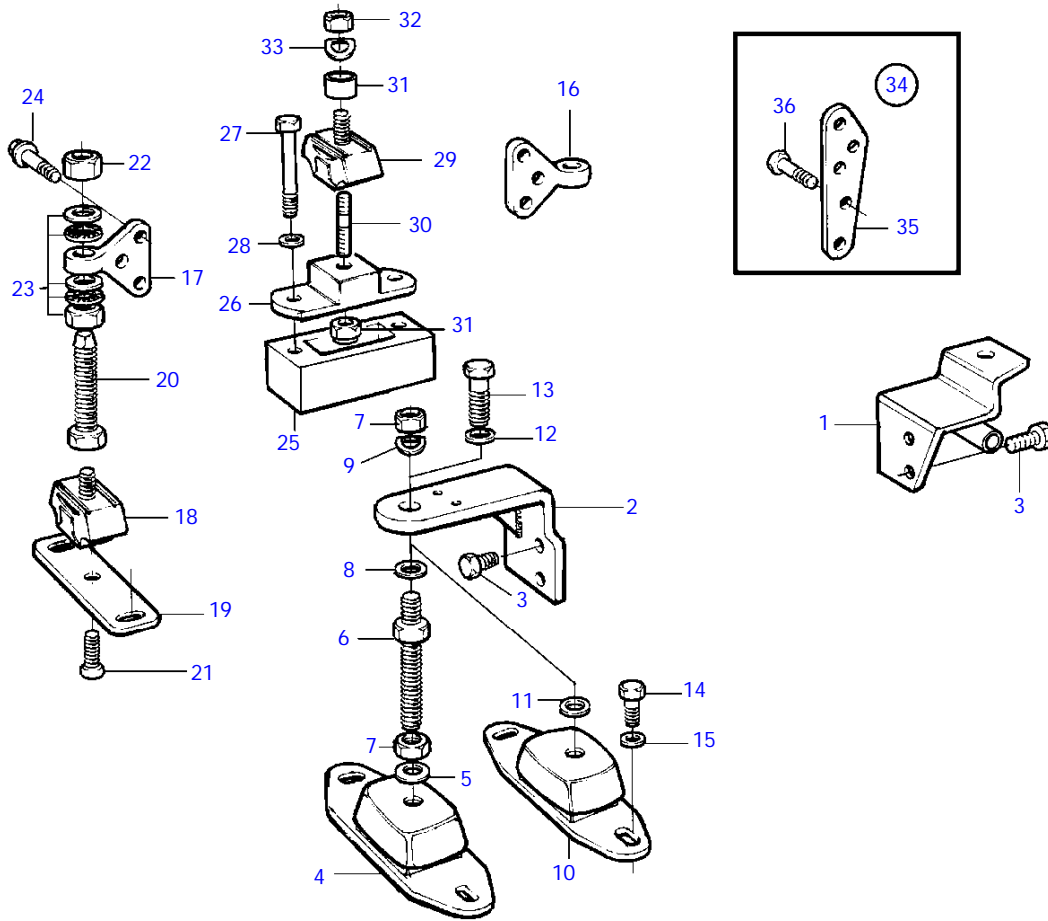


17693

MD2020C, MD2020D

REF	PART NO.	QTY	DESCRIPTION	NOTES
1	3580271	1	Engine mountings, front	P
2	3580114	1	Engine mountings, front	S.B
3	946329	4	Flange screw	(3580115)
4	861460	2	Rubber cushion	
5	955900	2	Washer	
6	861431	2	Adjusting screw	
7	955821	4	Hexagon nut	
8	955900	2	Washer	
9	941912	2	Spring washer	
16	860343	2	Engine bracket, rear	P
17	860344	2	Engine bracket, rear	S.B
18	838262	2	Rubber element	
19	838263	2	Attaching plate	
20	838264	2	Adjuster bolt	
21	949149	2	Hex. socket screw	
22	955806	4	Hexagon nut	
23	829893	8	Lock washer	
24	965185	6	Flange screw	
34	(858566)	1	Bracket kit	Obsolete part, For deep engine installation.
35	858550	1	* Anchorage, rear	For deep engine installation., P
	858551	1	* Anchorage, rear	For deep engine installation., S.B
36	970948	4	* Hexagon screw	L=30mm
	965185	4	* Flange screw	L=40mm (970950)
	970954	2	* Hexagon screw	L=60mm (970954)

MD2020C, MD2020D

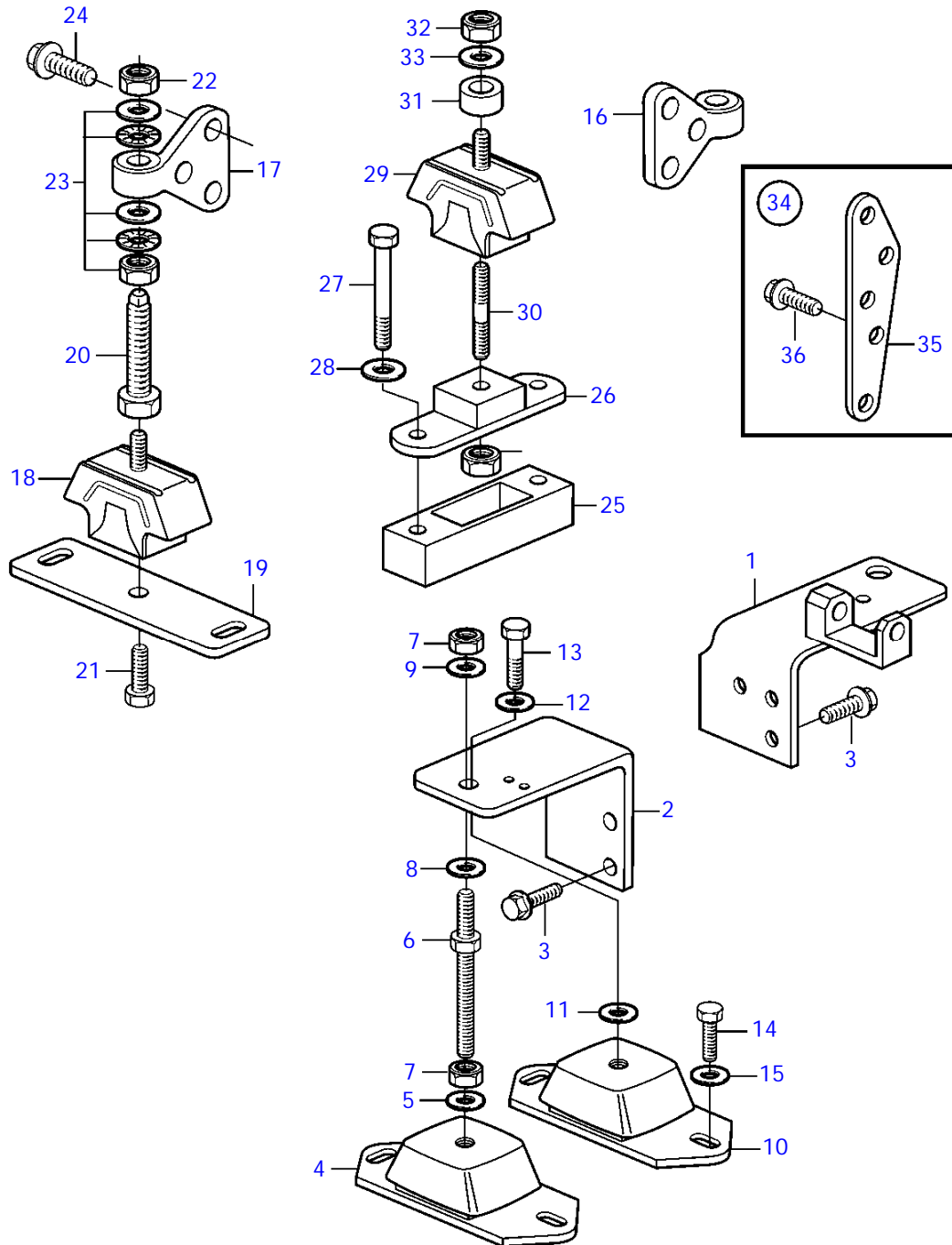


17693

MD2020C, MD2020D

REF	PART NO.	QTY	DESCRIPTION	NOTES
1	3580271	1	Engine mountings, front	P
2	3580114	1	Engine mountings, front	S,B
3	946329	4	Flange screw	(3580115)
10	856834	2	Rubber cushion	
11	955900	2	Washer	
12	941912	2	Spring washer	
13	959710	2	Hexagon screw	
14	963580	4	Hexagon screw	
15	976945	4	Washer	(960148)
25	852697	1	Spacer	
26	850338	1	Bracket	
27	(963590)	2	Hexagon screw	Obsolete part
28	853095	2	Washer	
29	850405	1	Rubber element	Replaced by 1pc rubber element 858455 and 1pc stud 924075.
	858455	1	Rubber cushion	
30	924075	1	Stud	
31	852554	1	Bushing	
32	971095	2	Flange nut	
33	941908	2	Spring washer	

MD2030C, MD2030D

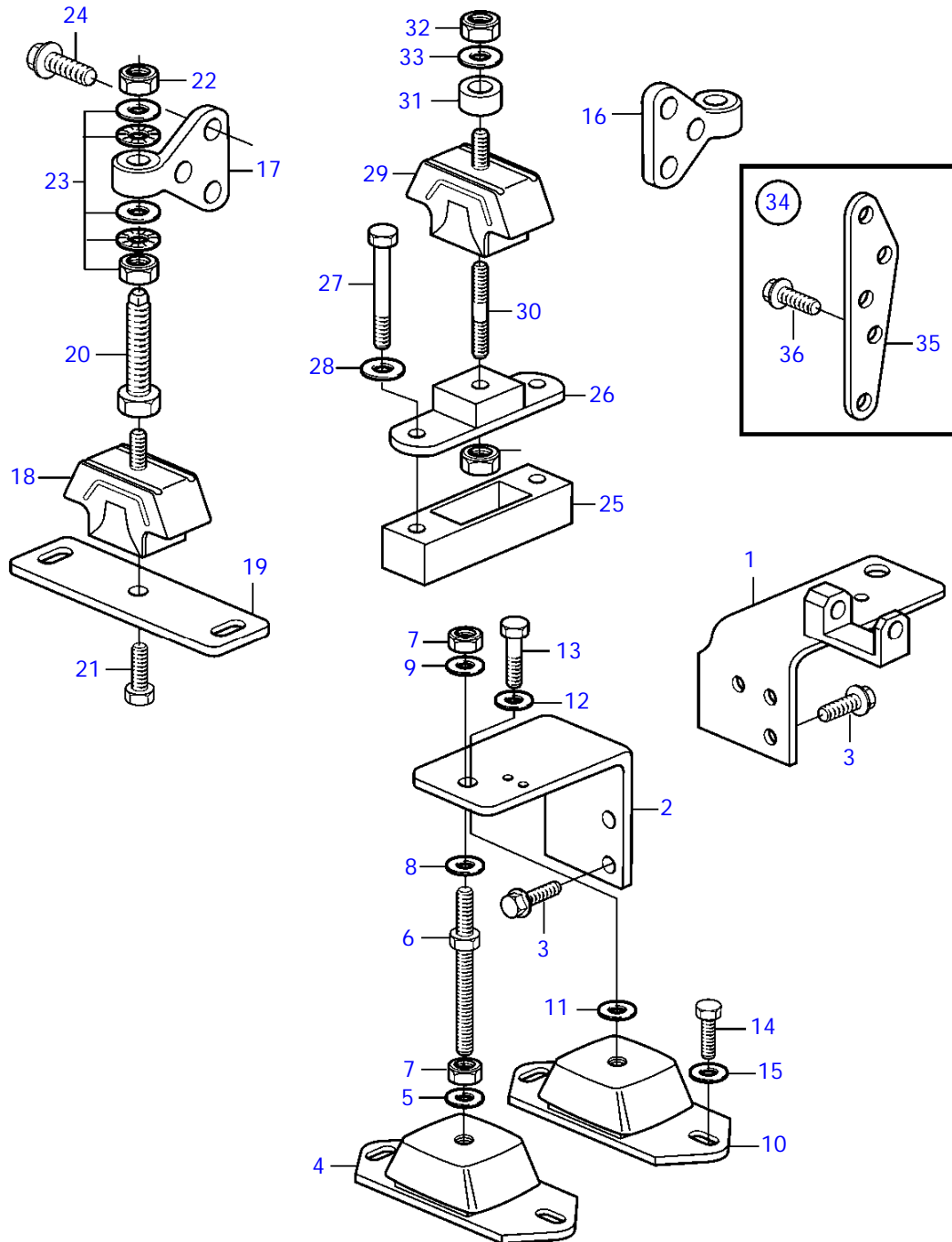


22264

MD2030C, MD2030D

REF	PART NO.	QTY	DESCRIPTION	NOTES
1	3581210	1	Engine mountings, front	P
2	3580397	1	Engine mountings, front	S.B
3	3580398	5	Screw	
4	861460	2	Rubber cushion	
5	955900	2	Washer	
6	861431	2	Adjusting screw	
7	955821	4	Hexagon nut	
8	955900	2	Washer	
9	941912	2	Spring washer	
16	860343	1	Engine bracket, rear	P
17	860344	1	Engine bracket, rear	S.B
18	838262	2	Rubber element	
19	838263	2	Attaching plate	
20	838264	2	Adjuster bolt	
21	949149	2	Hex. socket screw	
22	955806	4	Hexagon nut	
23	829893	8	Lock washer	
24	965185	6	Flange screw	
34	(858566)	1	Bracket kit	Obsolete part
35	858550	1	* Anchorage, rear	P
	858551	1	* Anchorage, rear	S.B
36	970948	4	* Hexagon screw	L=30mm
	965185	4	* Flange screw	L=40mm (970950)
	970954	2	* Hexagon screw	L=60mm

MD2030C, MD2030D

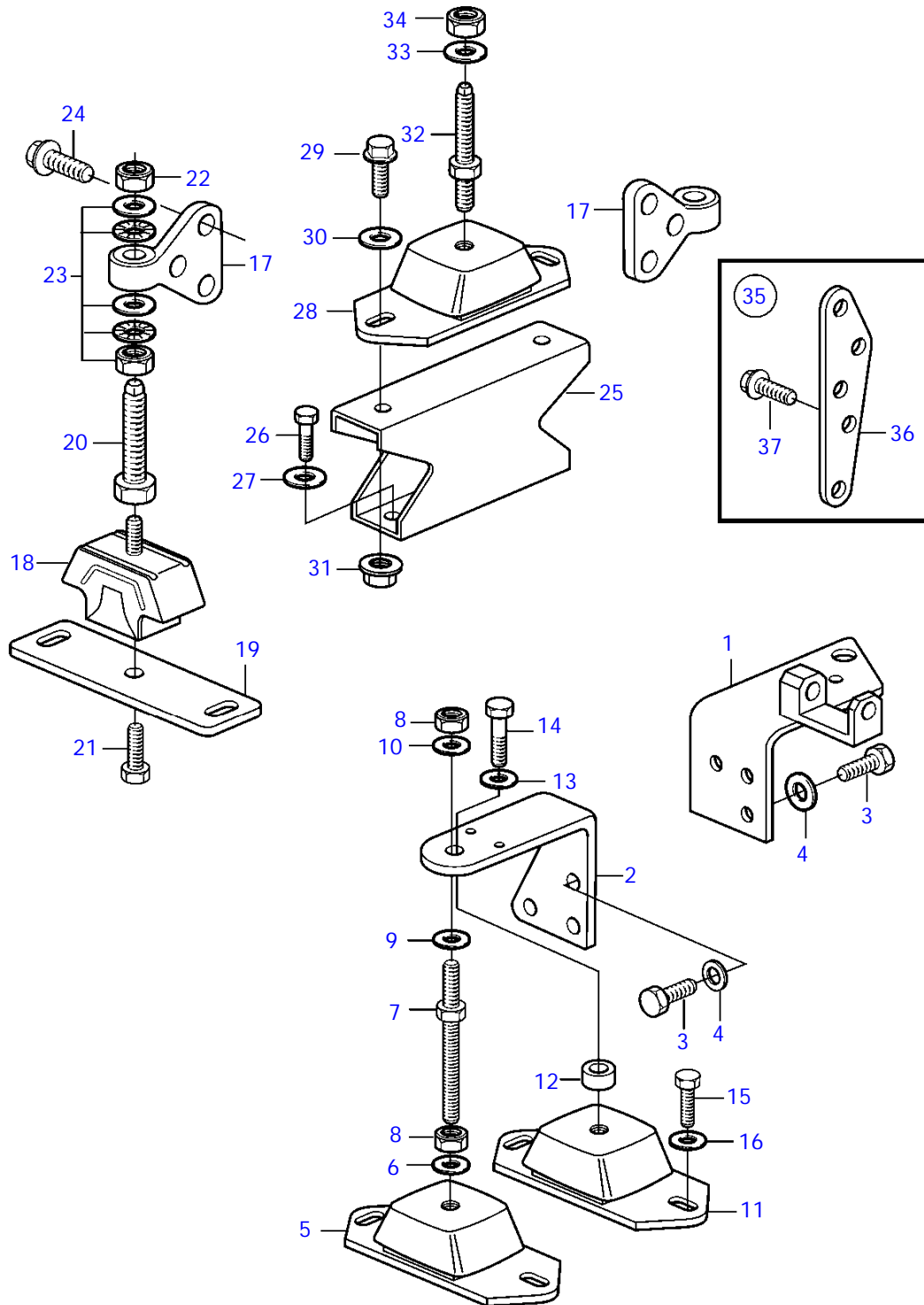


22264

MD2030C, MD2030D

REF	PART NO.	QTY	DESCRIPTION	NOTES
1	3581210	1	Engine mountings, front	P
2	3580397	1	Engine mountings, front	S,B
3	3580398	5	Screw	
10	858161	2	Rubber element	
11	955900	2	Washer	
12	941912	2	Spring washer	
13	959710	2	Hexagon screw	
14	963580	4	Hexagon screw	
15	976945	4	Washer	(960148)
25	852697	1	Spacer	
26	850338	1	Bracket	
27	(963590)	2	Hexagon screw	Obsolete part
28	853095	2	Washer	
29	850405	1	Rubber element	Replaced by 1pc rubber element 858455 and 1pc stud 924075.
	858455	1	Rubber cushion	
30	924075	1	Stud	
31	852554	1	Bushing	
32	971095	2	Flange nut	
33	941908	2	Spring washer	

MD2040C, MD2040D

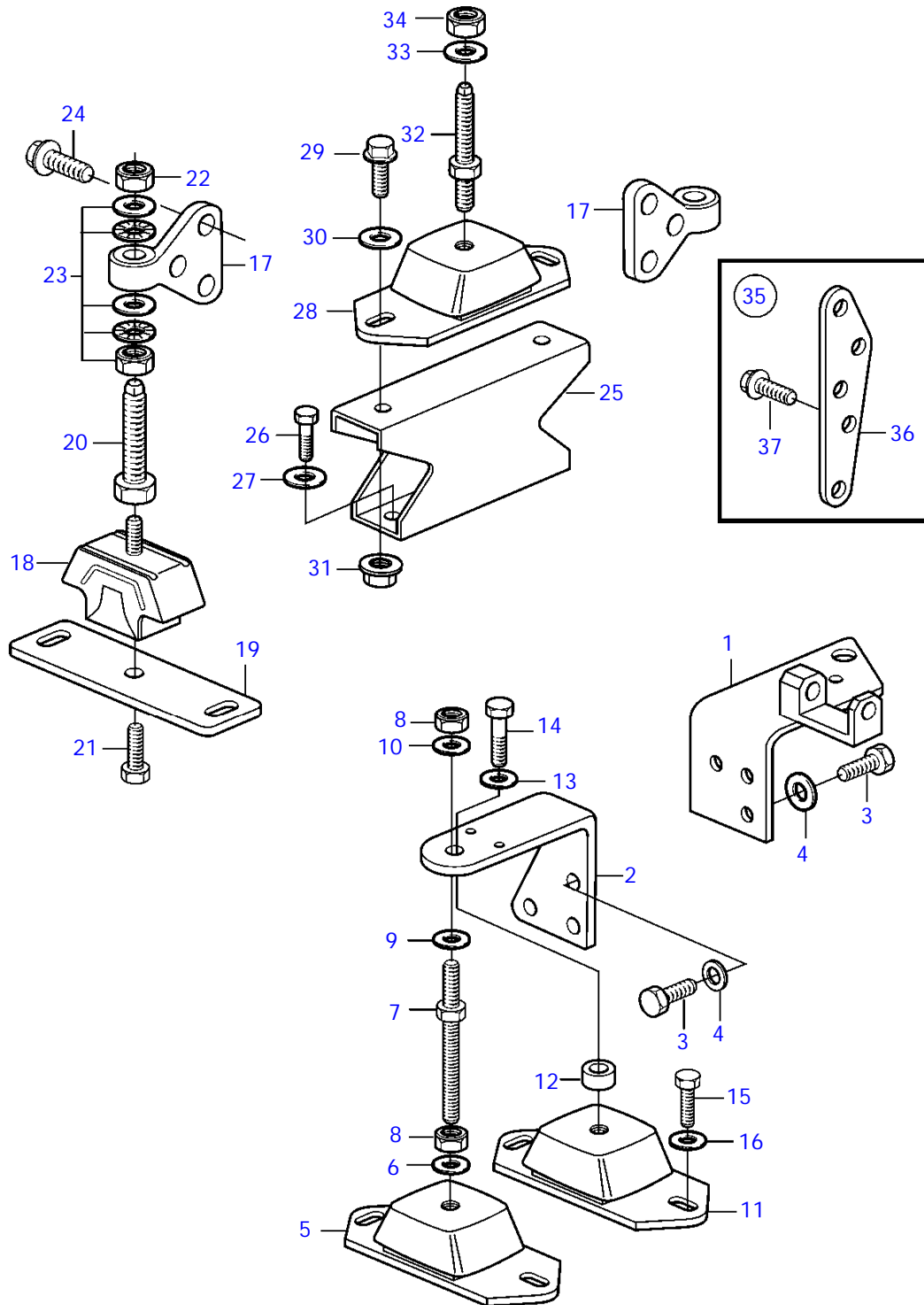


22265

MD2040C, MD2040D

REF	PART NO.	QTY	DESCRIPTION	NOTES
1	3581319	1	Engine mountings, front	P
2	3580603	1	Stay, front	S.B
3	3580605	6	Screw	
4	3580607	6	Spring washer	
5	861460	2	Rubber cushion	
6	955900	2	Washer	
7	861431	2	Adjusting screw	
8	955821	4	Hexagon nut	
9	955900	2	Washer	
10	941912	2	Spring washer	
17	861314	2	Engine bracket, rear	
18	838262	2	Rubber element	
19	838263	2	Attaching plate	
20	838264	2	Adjuster bolt	
21	949149	2	Hex. socket screw	
22	955806	4	Hexagon nut	
23	829893	8	Lock washer	
24	965185	6	Flange screw	
35	(858566)	1	Bracket kit	Obsolete part, For deep engine installation.
36	858550	1	* Anchorage, rear	For deep engine installation., P
	858551	1	* Anchorage, rear	For deep engine installation., S.B
37	970948	4	* Hexagon screw	L=30mm
	965185	4	* Flange screw	L=40mm (970950)
	970954	2	* Hexagon screw	L=60mm

MD2040C, MD2040D

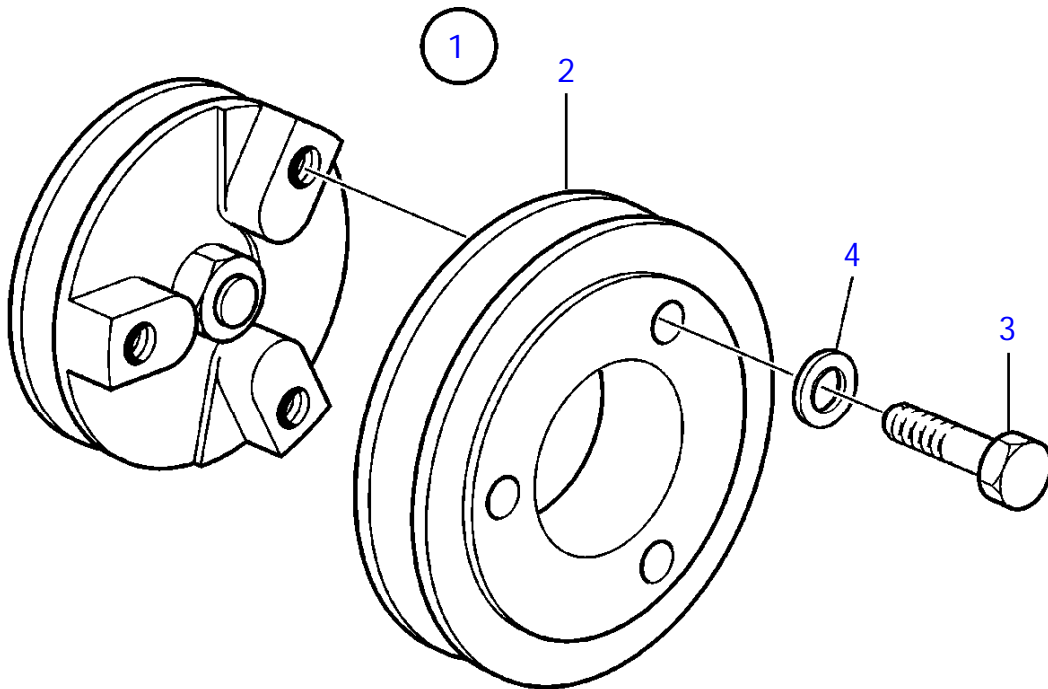


22265

MD2040C, MD2040D

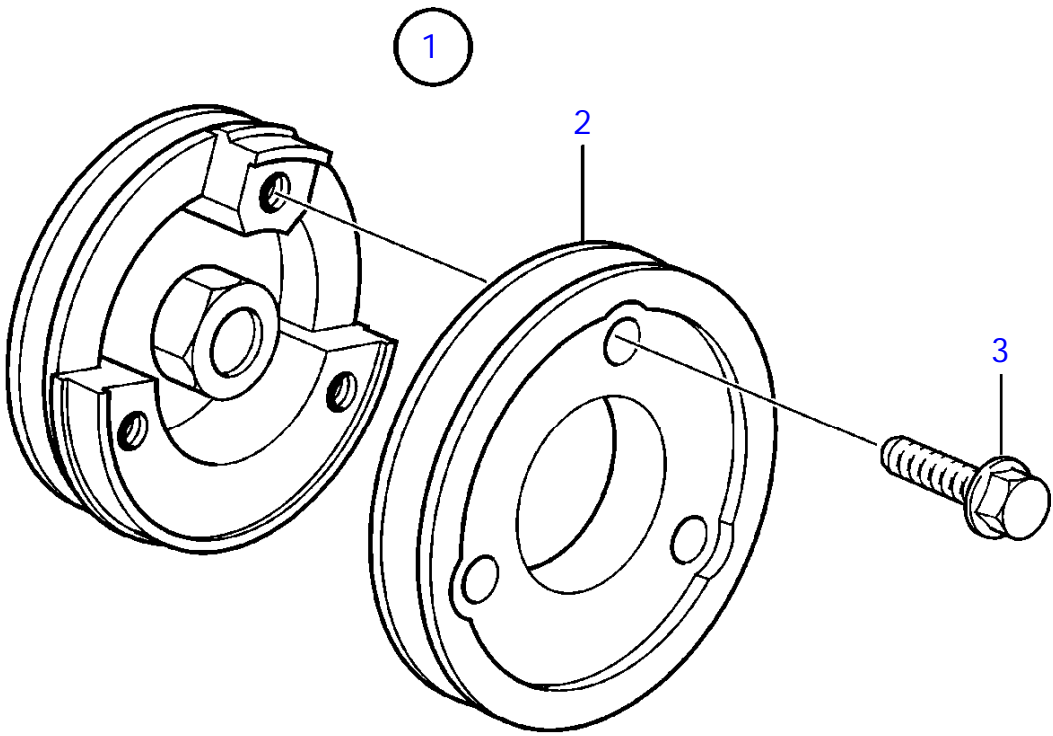
REF	PART NO.	QTY	DESCRIPTION	NOTES
1	3581319	1	Engine mountings, front	P
2	3580603	1	Stay, front	S.B
3	3580605	6	Screw	
4	3580607	6	Spring washer	
11	846765	2	Rubber element	
12	861461	2	Spacer sleeve	
13	941912	2	Spring washer	
14	979899	2	Hexagon screw	
15	963580	4	Hexagon screw	
16	976945	4	Washer	(960148)
25	861538	1	Bracket	
26	963582	2	Screw	
27	853095	2	Washer	
28	858161	1	Rubber element	
29	946441	2	Flange screw	
30	1594095	2	Washer	
31	971095	2	Flange nut	
32	861539	1	Adjusting screw	
33	940280	1	Spring washer	
34	971072	1	Hexagon nut	(955784)

MD2020C, MD2020D, MD2030C, MD2030D



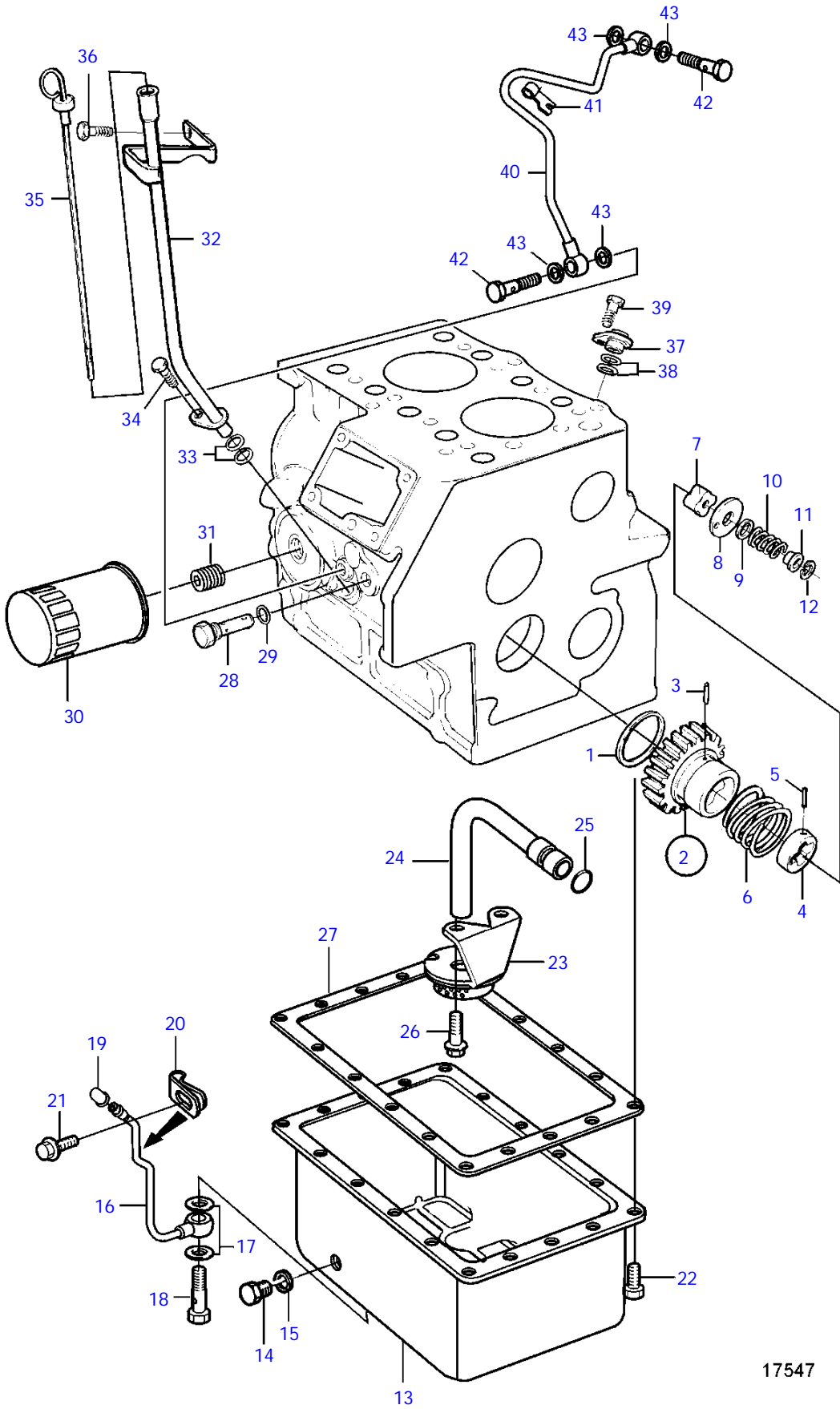
22676

MD2040C, MD2040D



22677

MD2010C, MD2010D

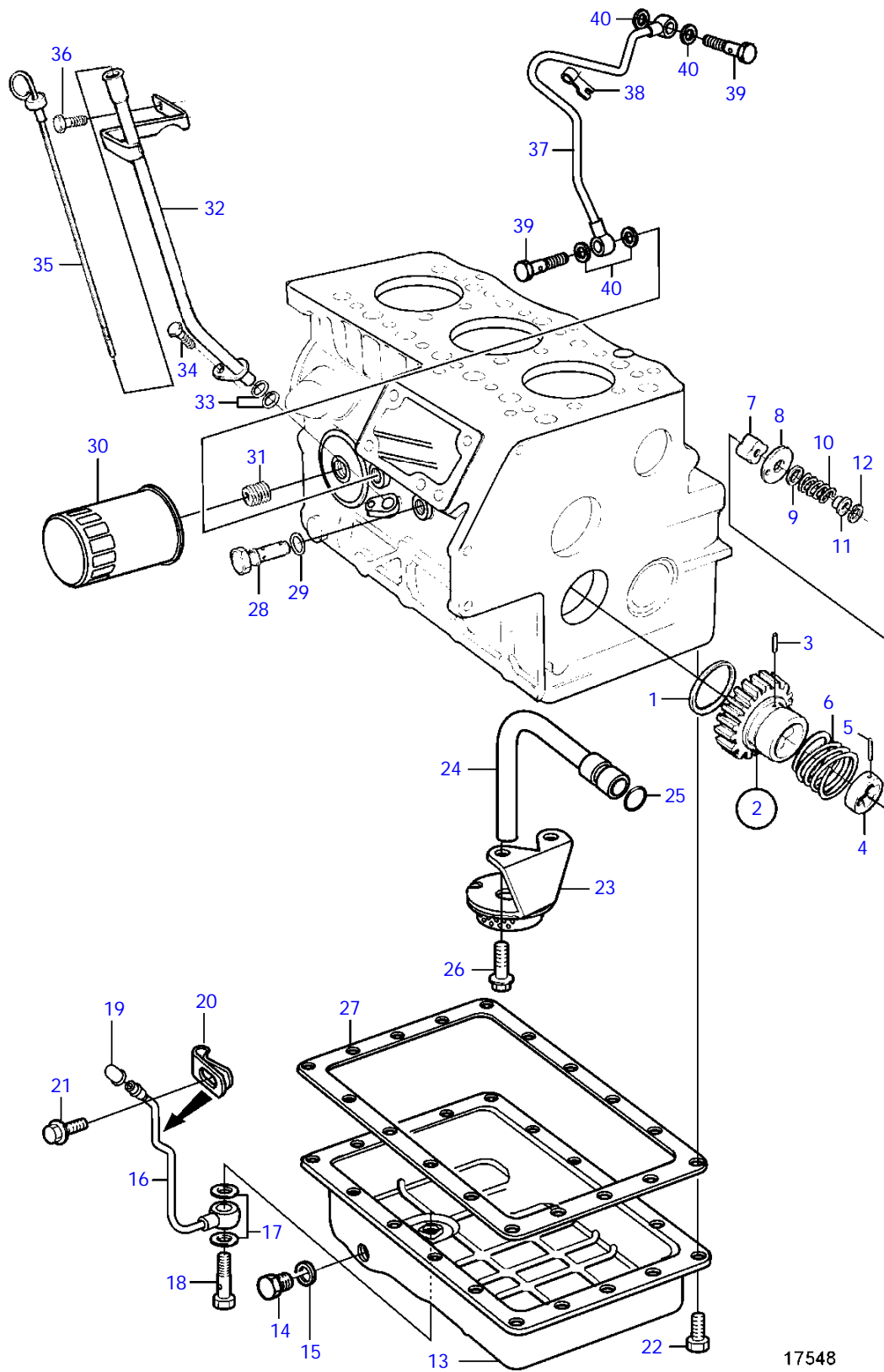


17547

MD2010C, MD2010D

REF	PART NO.	QTY	DESCRIPTION	NOTES
1	861986	1	Thrust washer	
2	861987	1	Gear	Replaced by 21541017
	21541017	1	Oil pump	
3		1	* Pin	
4		1	* Rotor, outer	
5		1	* Pin	
6	861988	1	* Spring	
7	(861989)	1	Rotor	Obsolete part, Replaced by 21541017
	21541017	1	Oil pump	
8	861527	1	Cardboard tube	
9	861528	X	Shim	
	861529	X	Shim	
	861530	X	Shim	
	861531	X	Shim	
10	861532	1	Spring	
11	861533	1	Sleeve	
12	861534	1	Lock ring	
13	3581741	1	Sump	
14	861834	1	Screw	
15	11994	1	Gasket	(861835)
16	3581779	1	Oil pipe	
17	11994	2	Gasket	(861835)
18	3581928	1	Hollow screw	
19	1276516	1	Rubber cap	
20	3582218	1	Clamp	Replaced by complete oil return pipe 3581779
	3581779	1	Oil pipe	
21	980108	1	Flange screw	
22	945358	14	Flange screw	
23	861999	1	Oil filter	
24	861998	1	Suction pipe	
25	861997	1	O-ring	
26	861526	2	Screw	
27	861822	1	Gasket	
28	861829	1	Reduction valve	Replaced by 3583580
	3583580	1	Reduction valve	
29	861830	1	O-ring	
30	861473	1	Oil filter	
31	861825	1	Bolt	
32	861850	1	Tube	
33	861851	2	O-ring	
34	967949	1	Flange screw	
35	3581557	1	Dipstick	
36	947107	1	Flange screw	
37		1	Plug	
38	861851	2	O-ring	
39	967949	1	Flange screw	
40	3581787	1	Oil pipe	
41		1	* Clamp	
42	861872	2	Hollow screw	
43	11992	4	Gasket	

MD2020C, MD2020D

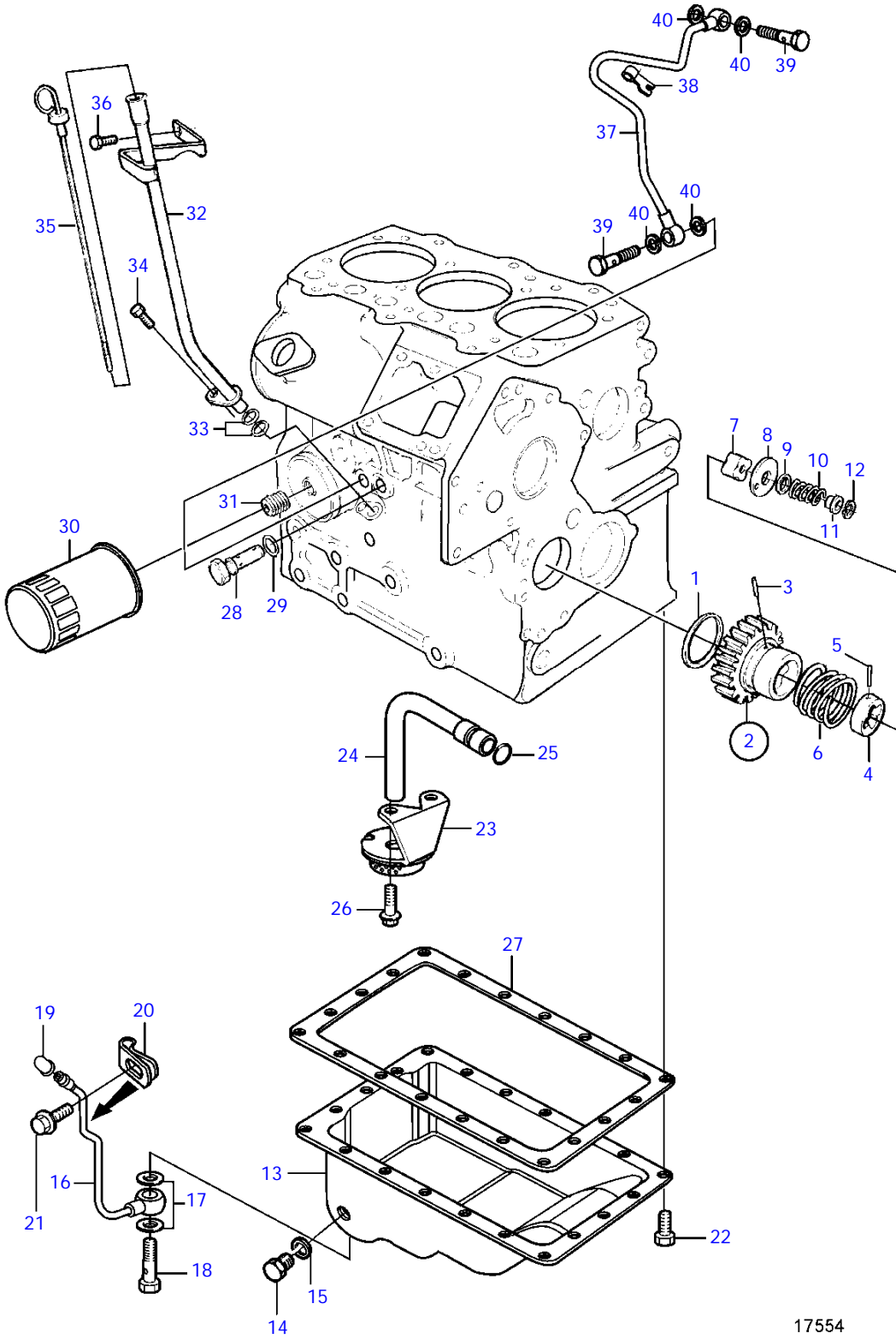


17548

MD2020C, MD2020D

REF	PART NO.	QTY	DESCRIPTION	NOTES
1	861986	1	Thrust washer	
2	861987	1	Gear	Replaced by 21541017
	21541017	1	Oil pump	
3		1	* Pin	
4		1	* Rotor, outer	
5		1	* Pin	
6	861988	1	* Spring	
7	(861989)	1	Rotor	Obsolete part, Replaced by 21541017
	21541017	1	Oil pump	
8	861527	1	Cardboard tube	
9	861528	X	Shim	
	861529	X	Shim	
	861530	X	Shim	
	861531	X	Shim	
10	861532	1	Spring	
11	861533	1	Sleeve	
12	861534	1	Lock ring	
13	3581742	1	Sump	Replaced by 211265546
	21265546	1	Sump	
14	861834	1	Screw	
15	11994	1	Gasket	(861835)
16	3581779	1	Oil pipe	
17	11994	2	Gasket	(861835)
18	3581928	1	Hollow screw	
19	1276516	1	Rubber cap	
20	3582218	1	Clamp	Replaced by complete oil return pipe 3581779
	3581779	1	Oil pipe	
21	980108	1	Flange screw	
22	945358	18	Flange screw	
23	861999	1	Oil filter	
24	861998	1	Suction pipe	
25	861997	1	O-ring	
26	861526	2	Screw	
27	3580227	1	Gasket	
28	861829	1	Reduction valve	Replaced by 3583580
	3583580	1	Reduction valve	
29	861830	1	O-ring	
30	861473	1	Oil filter	
31	861825	1	Bolt	
32	861850	1	Tube	
33	861851	2	O-ring	
34	967949	1	Flange screw	
35	3581557	1	Dipstick	
36	947107	1	Flange screw	
37	3580235	1	Oil pipe	
38		1	* Clamp	
39	861872	2	Hollow screw	
40	11992	4	Gasket	

MD2030C, MD2030D



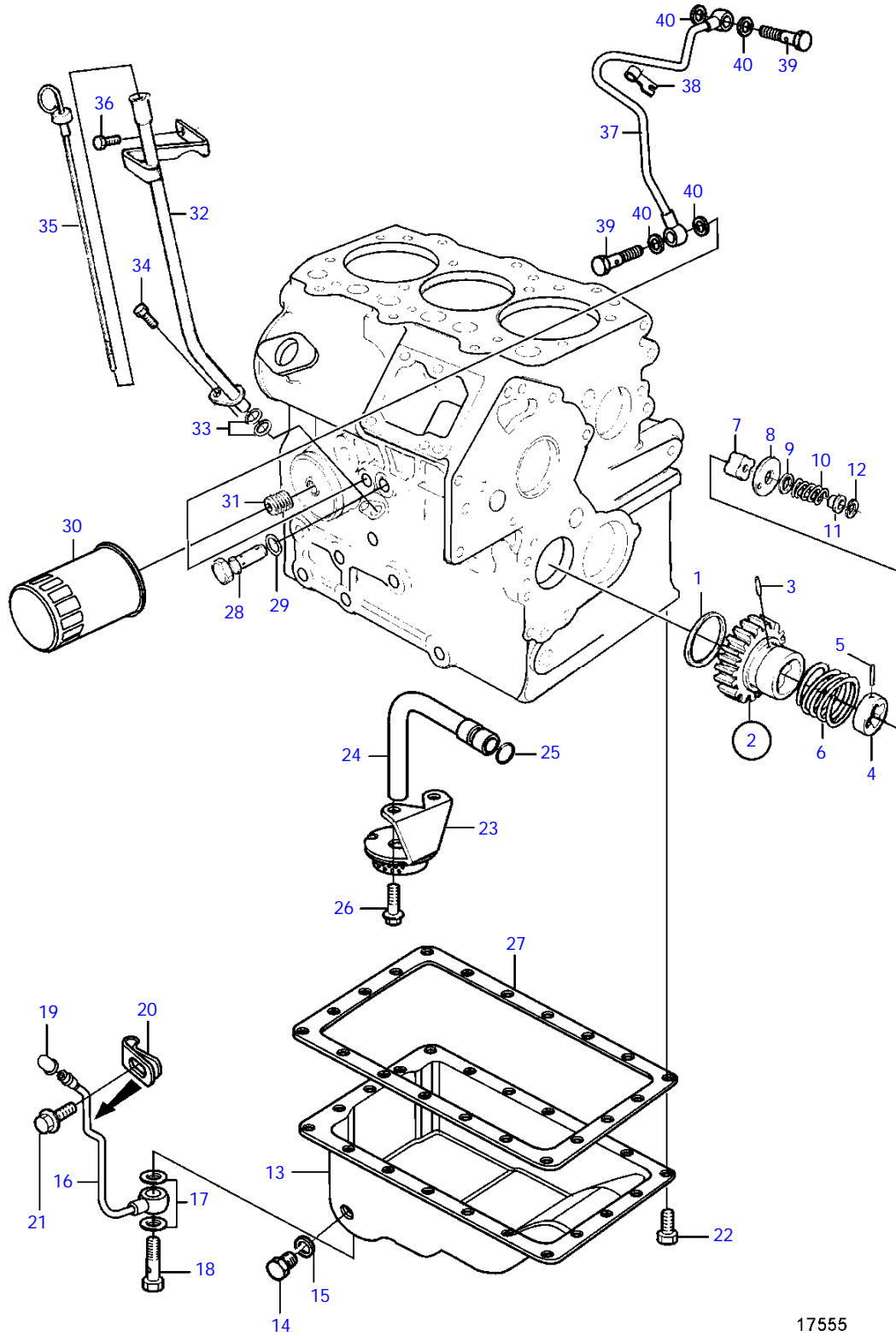
17554



MD2030C, MD2030D

REF	PART NO.	QTY	DESCRIPTION	NOTES
1	861986	1	Thrust washer	
2	3580358	1	Gear	
3		1	* Pin	
4		1	* Rotor, outer	
5		1	* Pin	
6	861988	1	* Spring	
7	(861989)	1	Rotor	Replaced by 21541015, Obsolete part
	21541015	1	Oil pump	
8	861527	1	Cardboard tube	
9	861528	X	Shim	TH=0,10mm
	861529	X	Shim	TH=0,15mm
	861530	X	Shim	TH=0,20mm
	861531	X	Shim	TH=0,50mm
10	861532	1	Spring	
11	861533	1	Sleeve	
12	861534	1	Lock ring	
13	3581743	1	Sump	
14	861834	1	Screw	
15	11994	1	Gasket	(861835)
16	3581779	1	Oil pipe	
17	11994	2	Gasket	(861835)
18	3581928	1	Hollow screw	
19	1276516	1	Rubber cap	
20	3582218	1	Clamp	Replaced by complete oil return pipe 3581779
	3581779	1	Oil pipe	
21	980108	1	Flange screw	
22	945358	20	Flange screw	
23	3580362	1	Strainer	
24	3580361	1	Suction pipe	
25	861997	1	O-ring	
26	861526	2	Screw	
27	3580288	1	Gasket	
28	861829	1	Reduction valve	Replaced by 3583580
	3583580	1	Reduction valve	
29	861830	1	O-ring	
30	3840525	1	Oil filter	
31	861825	1	Bolt	
32	3580297	1	Tube	
33	861851	2	O-ring	
34	967949	1	Flange screw	
35	3581557	1	Dipstick	
36	947107	1	Flange screw	
37	3580312	1	Oil pipe	
38		1	* Clamp	
39	861872	2	Hollow screw	
40	11992	4	Gasket	

MD2040C, MD2040D

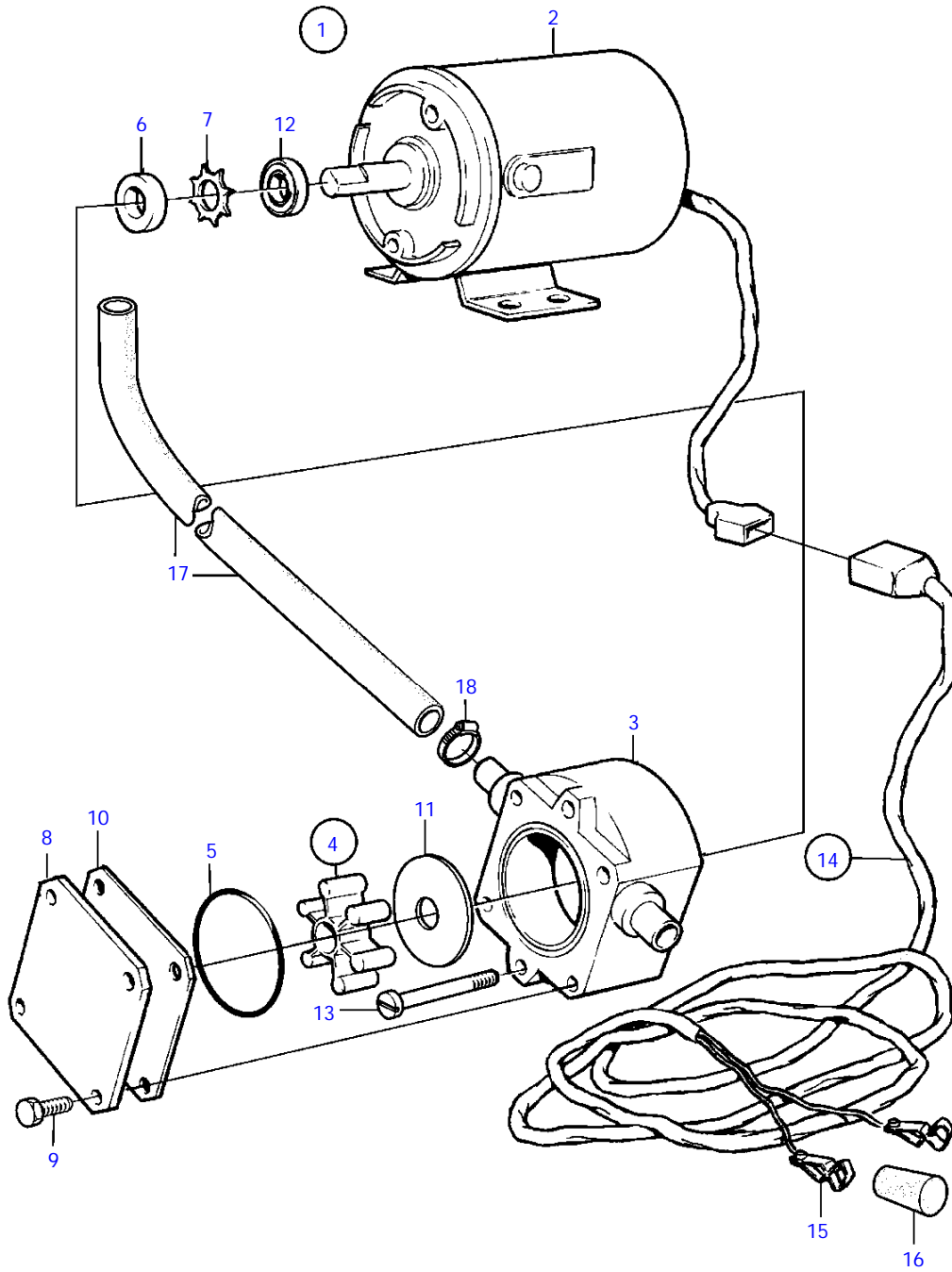


17555

MD2040C, MD2040D

REF	PART NO.	QTY	DESCRIPTION	NOTES
1	861986	1	Thrust washer	
2	3580569	1	Gear	Replaced by 21541021
	21541021	1	Oil pump	
3		1	* Pin	
4		1	* Rotor, outer	
5		1	* Pin	
6	861988	1	* Spring	
7	3580570	1	Rotor	Replaced by 21541021
	21541021	1	Oil pump	
8	861527	1	Cardboard tube	
9	861528	X	Shim	TH=0.10mm
	861529	X	Shim	TH=0.15mm
	861530	X	Shim	TH=0.20mm
	861531	X	Shim	TH=0.50mm
10	861532	1	Spring	
11	861533	1	Sleeve	
12	861534	1	Lock ring	
13	3581744	1	Sump	
14	861834	1	Screw	
15	11994	1	Gasket	(861835)
16	3581779	1	Oil pipe	
17	11994	2	Gasket	(861835)
18	3581928	1	Hollow screw	
19	1276516	1	Rubber cap	
20	3582218	1	Clamp	Replaced by 3581779
	3581779	1	Oil pipe	
21	980108	1	Flange screw	
22	945358	26	Flange screw	
23	861999	1	Oil filter	
24	3580573	1	Suction pipe	
25	861997	1	O-ring	
26	861526	2	Screw	
27	3580462	1	Gasket	
28	861829	1	Reduction valve	Replaced by 3583580
	3583580	1	Reduction valve	
29	861830	1	O-ring	
30	3840525	1	Oil filter	
31	861825	1	Bolt	
32	3580494	1	Oil pipe	
33	861851	2	O-ring	
34	967949	1	Flange screw	
35	3581557	1	Dipstick	
36	947107	1	Flange screw	(3580299)
37	3580494	1	Oil pipe	
38		1	* Clamp	
39	861872	2	Hollow screw	
40	11992	4	Gasket	

MD2010C, MD2010D, MD2020C, MD2020D, MD2030C, MD2030D, MD2040C, MD2040D

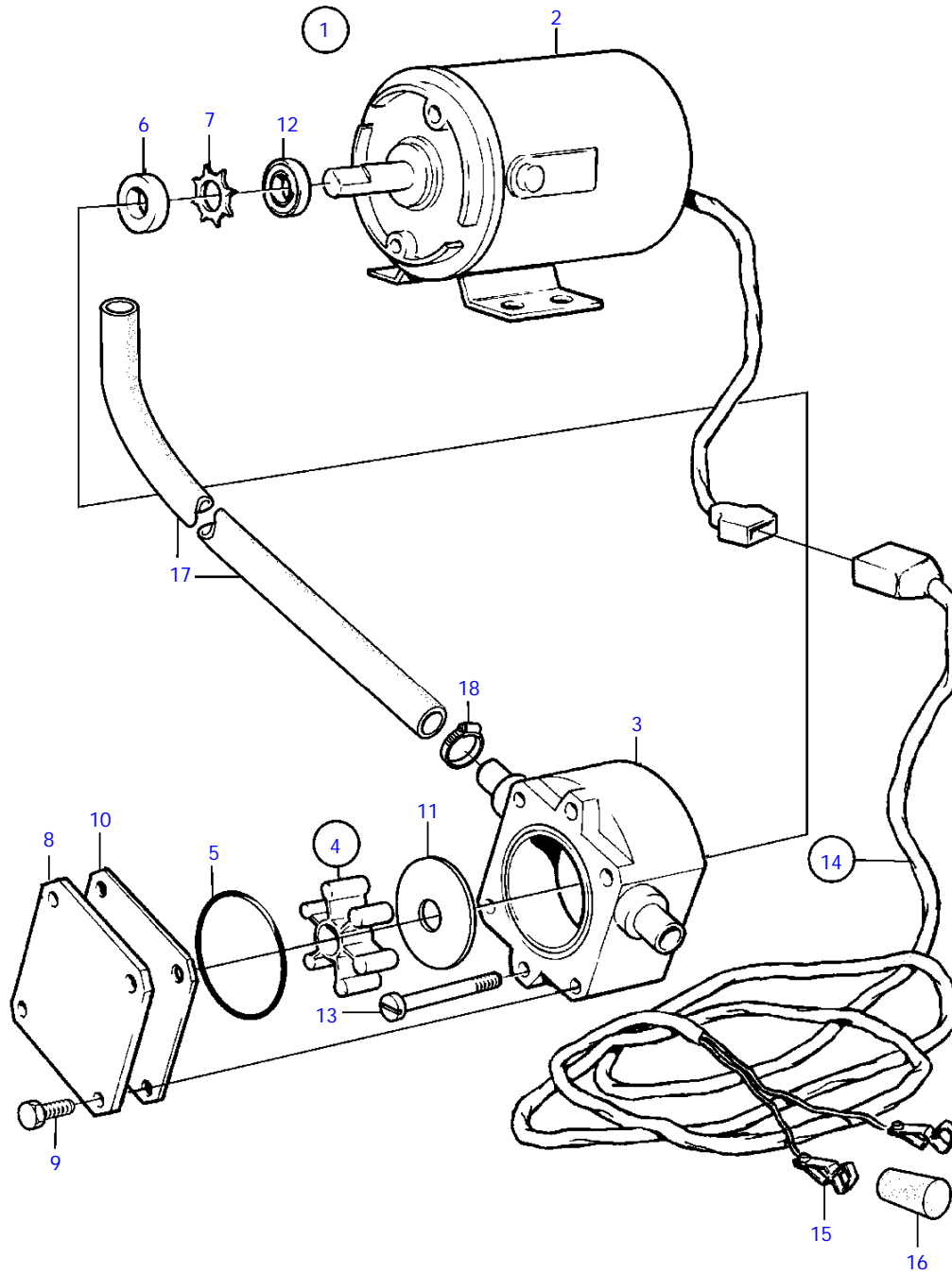


18186

MD2010C, MD2010D, MD2020C, MD2020D, MD2030C, MD2030D, MD2040C, MD2040D

REF	PART NO.	QTY	DESCRIPTION	NOTES
1	843114	1	Oil bilge pump	12V
2	842855	1	* Oil bilge pump	
3	(844015)	1	** Pump housing	Obsolete part
4	844022	1	** Impeller kit	
5		1	*** O-ring	
6		1	*** Sealing ring	
7		1	*** Lock ring	
8	844018	1	** Cardboard tube	
9	844021	4	** Screw	
10	844017	1	** Wear washer	
11	844016	1	** Wear washer	
12	844019	1	** Deflector ring	
13	969518	2	** 6 point socket screw	(847464)
14	843113	1	* Cable trunk	
15	844280	2	** Clip	
16	(844279)	1	** Isolation	Obsolete part, Black
	(844278)	1	** Isolation	Obsolete part, Red
17	943707	X	* Hose	
18	943471	3	* Hose clamp	

MD2010C, MD2010D, MD2020C, MD2020D, MD2030C, MD2030D, MD2040C, MD2040D

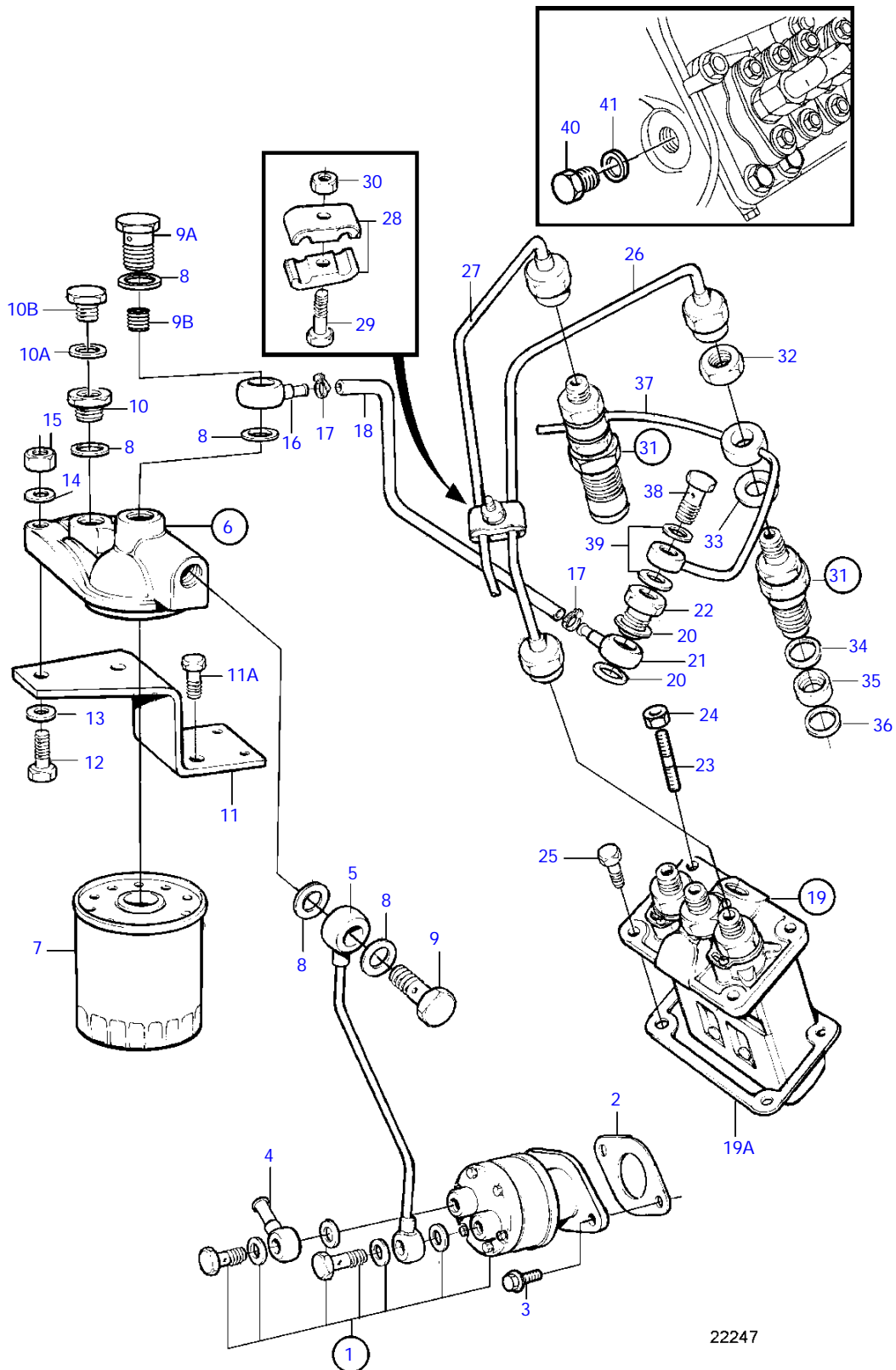


18186

MD2010C, MD2010D, MD2020C, MD2020D, MD2030C, MD2030D, MD2040C, MD2040D

REF	PART NO.	QTY	DESCRIPTION	NOTES
1	843410	1	Oil bilge pump	24V
2	842222	1	* Electrical motor	
3	(844015)	1	** Pump housing	Obsolete part
4	844022	1	** Impeller kit	
5		1	*** O-ring	
6		1	*** Sealing ring	
7		1	*** Lock ring	
8	844018	1	** Cardboard tube	
9	844021	4	** Screw	
10	844017	1	** Wear washer	
11	844016	1	** Wear washer	
12	844019	1	** Deflector ring	
13	969518	2	** 6 point socket screw	(847464)
14	843113	1	* Cable trunk	
15	844280	2	** Clip	
16	(844279)	1	** Isolation	Obsolete part, Black
	(844278)	1	** Isolation	Obsolete part, Red
17	943707	X	* Hose	
18	943471	3	* Hose clamp	

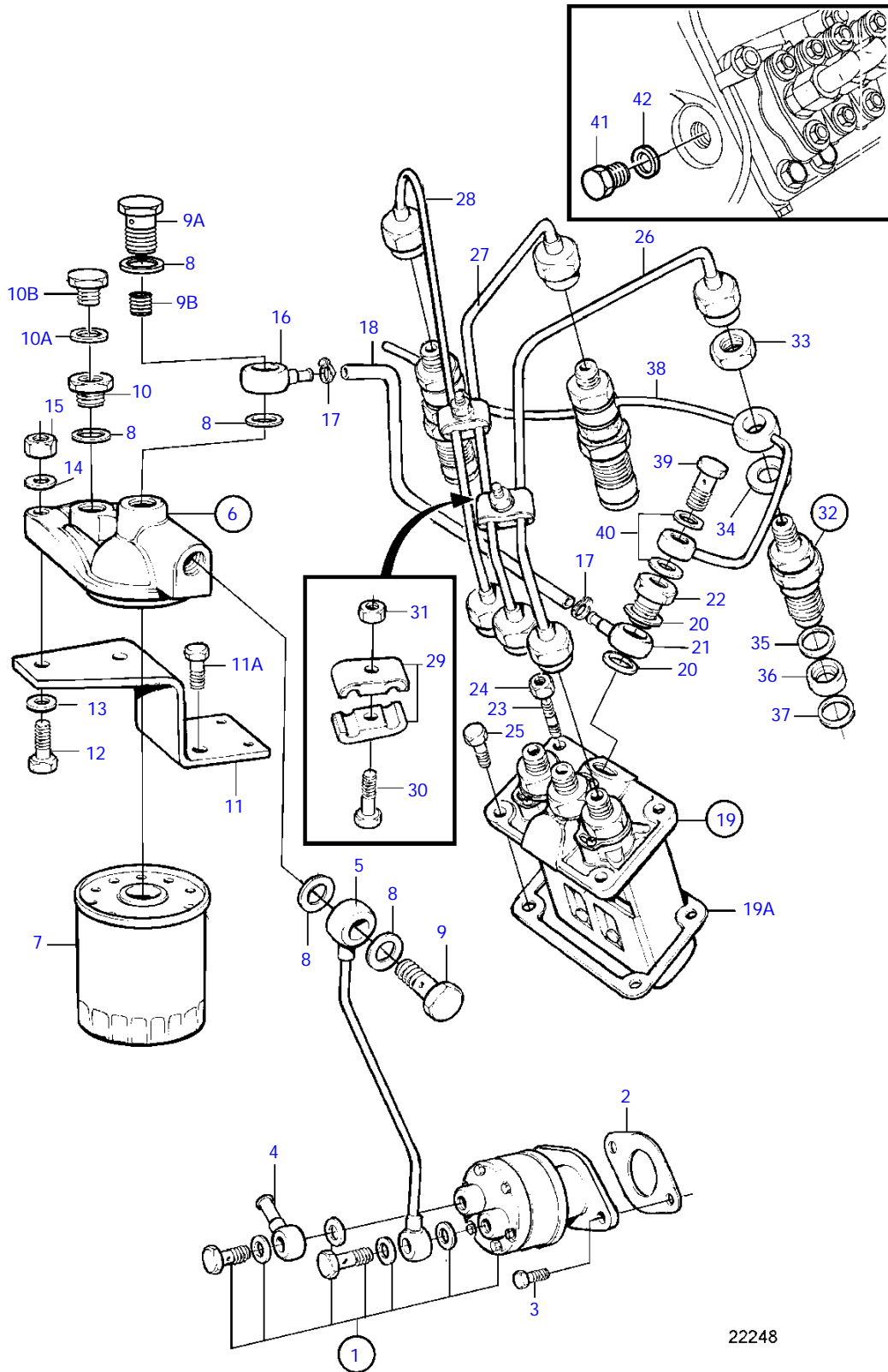
MD2010C, MD2010D



MD2010C, MD2010D

REF	PART NO.	QTY	DESCRIPTION	SEE SEC.	NOTES
1	3580100	1	Feed pump		
			*		
			*	171	
2	3580111	1	Gasket		
3	3580269	2	Screw		
4	3580107	1	Banjo nipple		
5	3580106	1	Tube		
6	3580095	1	Fuel filter		
7	861477	1	* Fuel filter		
8	969011	5	* Gasket		
9	3580098	1	* Hollow screw		
9A	807058	1	* Hollow screw		
9B	807059	1	* Nozzle		
10	837322	1	* Nipple		
10A	11992	1	* Gasket		
10B	471177	1	* Hollow screw		
11	3580102	1	Stay		
11A	3580104	2	Screw		
12	970948	2	Hexagon screw		
13	3580015	2	Spring washer		
14	3580108	2	Washer		
15	971071	2	Hexagon nut		
16	3580101	1	Banjo nipple		
17	961663	2	Hose clamp		
18	3580105	1	Rubber hose		
19	3580068	1	Injection pump		
			*		
			*	182	
19A	3580069	X	Spacer		TH=0,2mm
19	3580070	X	Spacer		TH=0,3mm
	3580071	X	Spacer		TH=0,4mm
	3580072	X	Spacer		TH=0,5mm
20		2	Gasket		Included in fuel injection pump.
21		1	Banjo nipple		Included in fuel injection pump.
22		1	Hollow screw		Included in fuel injection pump.
23		2	Stud		Included in cylinder block.
24	945407	2	Flange nut		
25	946934	2	Flange screw		
26	3580080	1	Delivery pipe		Cyl no 1
27	3580081	1	Delivery pipe		Cyl no 2
28	3580082	2	Clamp		
29	947542	1	Flange screw		
30	945407	1	Flange nut		
31	3580078	2	Injector		
	3803440	2	Injector, exch		
			*		
			*	179	
32	3580158	2	Nut		Included in fuel injector.
33	3580631	2	Gasket		Included in fuel injector.
34	3580077	2	Gasket		
35	3580076	2	Insert		
36	3580075	2	Gasket		
37	3580079	1	Tube		
38	3580094	1	Screw		
39	11991	2	Gasket		
40	3580091	1	Screw		
41	3580092	1	Sealing ring		

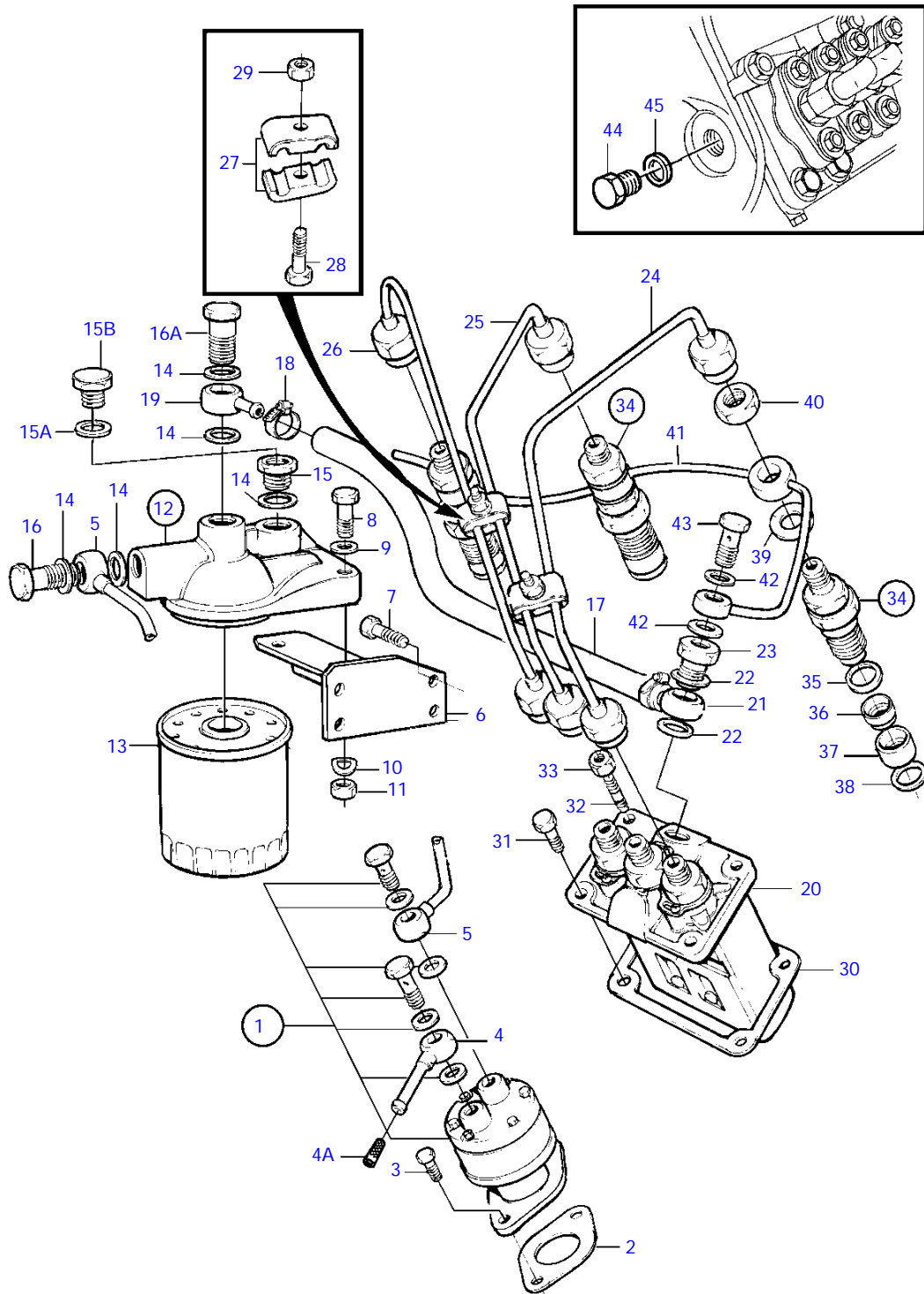
MD2020C, MD2020D



MD2020C, MD2020D

REF	PART NO.	QTY	DESCRIPTION	SEE SEC.	NOTES
1	3580100	1	Feed pump		
			*		
			*	171	
2	3580111	1	Gasket		
3	3580269	2	Screw		
4	3580107	1	Banjo nipple		
5	3580268	1	Tube		
6	3580095	1	Fuel filter		
7	861477	1	* Fuel filter		(3580096)
8	969011	5	* Gasket		
9	3580098	1	* Hollow screw		
9A	807058	1	* Hollow screw		
9B	807059	1	* Nozzle		
10	837322	1	* Nipple		
10A	11992	1	* Gasket		
10B	471177	1	* Hollow screw		
11	3580102	1	Stay		
11A	3580104	2	Screw		
12	970949	2	Hexagon screw		(3580270)
13	3580015	2	Spring washer		
14	3580108	2	Washer		
15	971071	2	Hexagon nut		
16	3580101	1	Banjo nipple		
17	961663	2	Hose clamp		
18	3580105	1	Rubber hose		
19	3580263	1	Injection pump		
			*		
			*	183	
19A	3580264	1	Spacer, kit		
20		2	Gasket		Included in fuel injection pump.
21		1	Banjo nipple		Included in fuel injection pump.
22		1	Hollow screw		Included in fuel injection pump.
23		2	Stud		Included in cylinder block.
24	945407	2	Flange nut		
25	946934	2	Flange screw		(3580074)
26	3580080	1	Delivery pipe		Cyl no 1
27	3580081	1	Delivery pipe		Cyl no 2
28	3580266	1	Delivery pipe		Cyl no 3
29	3580082	4	Clamp		
30	947542	2	Flange screw		(3580083)
31	945407	2	Flange nut		
32	3580078	3	Injector		
	3803440	3	Injector, exch		
			*		
			*	179	
33	3580158	3	Nut		Included in fuel injector.
34	3580631	3	Gasket		Included in fuel injector.
35	3580077	3	Gasket		
36	3580076	3	Insert		
37	3580075	3	Gasket		
38	3580265	1	Tube		
39	3580094	1	Screw		
40	11991	2	Gasket		
41	3580091	1	Screw		
42	3580092	1	Sealing ring		

MD2030C, MD2030D

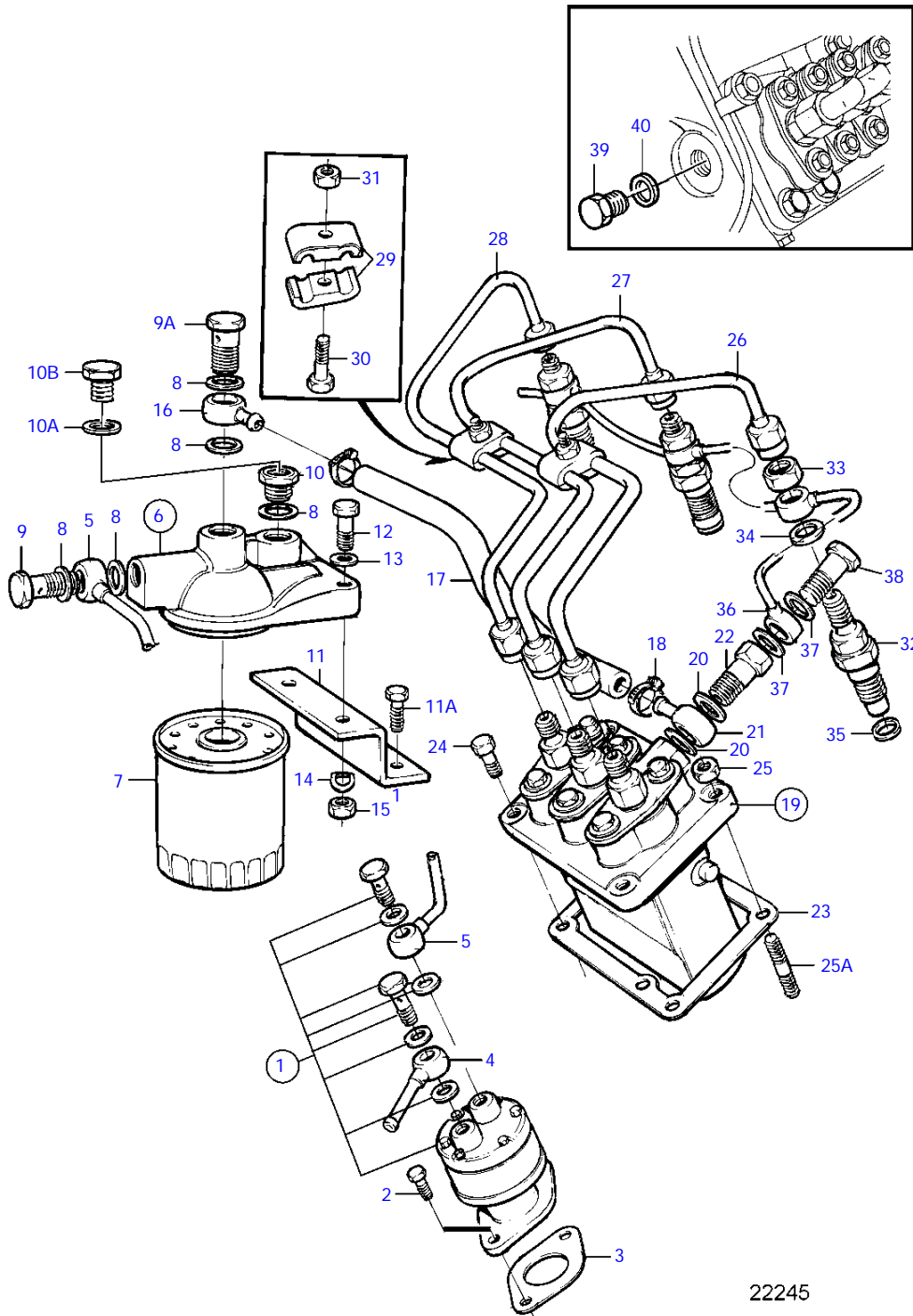


22249

MD2030C, MD2030D

REF	PART NO.	QTY	DESCRIPTION	SEE SEC.	NOTES
1	3580100	1	Feed pump		
			*		
			*	171	
2	3580111	1	Gasket		
3	3580269	2	Screw		
4	3580107	1	Banjo nipple		
4A	3582507	1	Strainer		
5	3580395	1	Tube		
6	3580393	1	Stay		
7	3580104	4	Screw		
8	970948	2	Hexagon screw		(3580109)
9	3580108	2	Washer		
10	3580015	2	Spring washer		
11	971071	2	Hexagon nut		
12	3580095	1	Fuel filter		
13	861477	1	* Fuel filter		(3580096)
14	969011	5	* Gasket		
15	837322	1	* Nipple		
15A	11992	1	* Gasket		
15B	471177	1	* Hollow screw		
16	3580098	1	* Hollow screw		
16A	807058	1	* Hollow screw		
17	3580394	1	Rubber hose		
18	961663	2	Hose clamp		
19	3580101	1	Banjo nipple		
20	3580382	1	Injection pump		
			*		
			*	9343	
21		1	Banjo nipple		Included in fuel injection pump.
22		2	Gasket		Included in fuel injection pump.
23		1	Hollow screw		Included in fuel injection pump.
24	3580388	1	Delivery pipe		Cyl no 1
25	3580389	1	Delivery pipe		Cyl no 2
26	3580390	1	Delivery pipe		Cyl no 3
27	3580082	4	Clamp		
28	947542	2	Flange screw		(3580083)
29	945407	2	Flange nut		
30	3580264	1	Spacer, kit		
31	946934	2	Flange screw		(3580074)
32		2	Stud		Included in cylinder block.
33	945407	2	Flange nut		
34	3580386	3	Injector		
	3803441	3	Injector, exch		
			*		
			*	2394	
35	3580430	3	Gasket		Included in fuel injector.
36	3580385	3	Spray sleeve		
37	3580384	3	Insert		
38	3580383	3	Gasket		
39	3580452	3	Washer		Included in fuel injector.
40		3	Nut		Included in fuel injector.
41	3584221	1	Leak-off pipe		(3580387)
42	11991	2	Gasket		
43	3580094	1	Screw		
44	3580091	1	Screw		
45	3580092	1	Sealing ring		

MD2040C, MD2040D

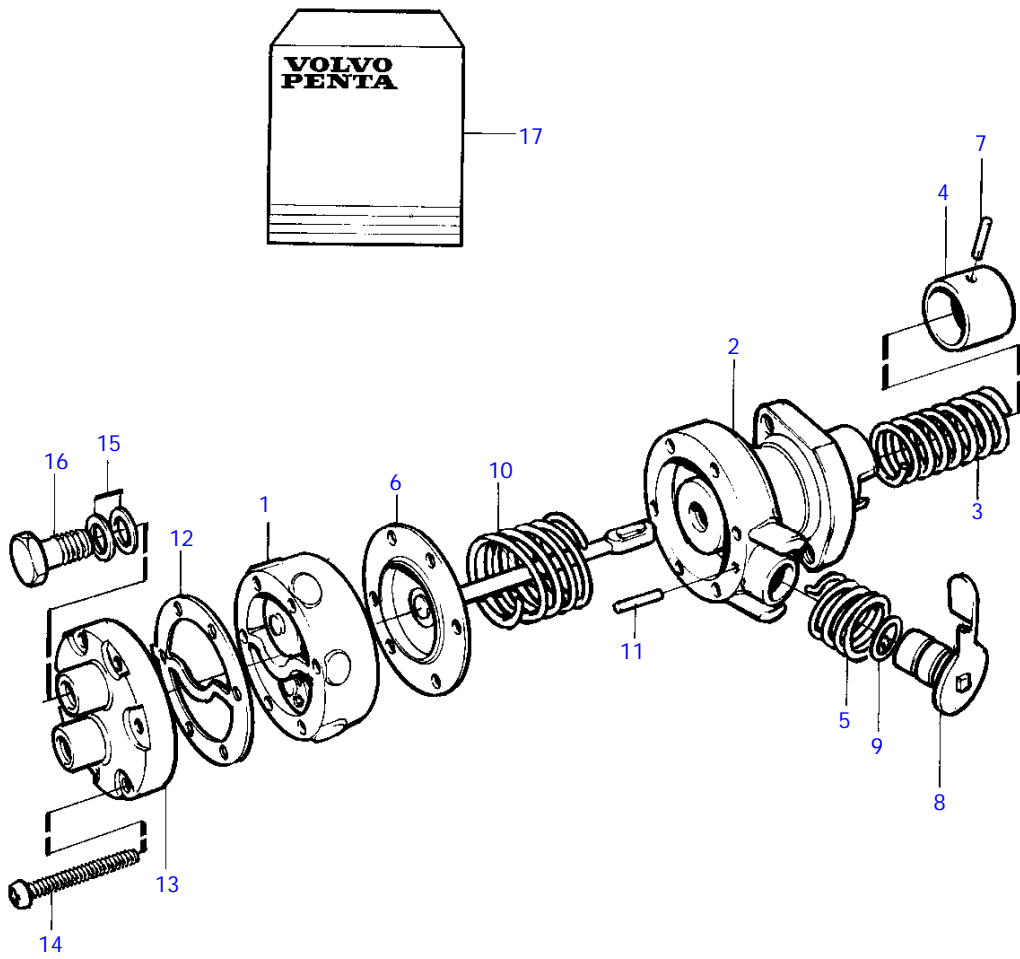


22245

MD2040C, MD2040D

REF	PART NO.	QTY	DESCRIPTION	SEE SEC.	NOTES
1	3580100	1	Feed pump		
			*		
			*	171	
2	3580269	2	Screw		
3	3580111	1	Gasket		
4	3580107	1	Banjo nipple		
5	3580602	1	Tube		
6	3580095	1	Fuel filter		
7	861477	1	* Fuel filter		(3580096)
8	969011	5	* Gasket		
9	3580098	1	* Hollow screw		
9A	807058	1	* Hollow screw		
10	837322	1	* Nipple		
10A	11992	1	* Gasket		
10B	471177	1	* Hollow screw		
11	3581833	1	Bracket		(3580600)
11A	3580104	2	Screw		
12	3580109	2	Screw		
13	3580031	2	Washer		
14	3580015	2	Spring washer		
15	971071	2	Hexagon nut		
16	3580101	1	Banjo nipple		
17	3580601	1	Rubber hose		
18	961663	2	Hose clamp		
19	3580127	1	Fuel pump		
			*		
			*	201	
20		2	Gasket		Included in fuel injection pump.
21		1	Banjo nipple		Included in fuel injection pump.
22		1	Hollow screw		Included in fuel injection pump.
23	3580591	1	Spacer, kit		
24	946173	2	Flange screw		(861844)
25	948645	2	Flange lock nut		
25A		2	Stud		Included in cylinder block.
26	3580594	1	Delivery pipe		Cyl no 1
27	3580595	1	Delivery pipe		Cyl no 2
28	3580596	1	Delivery pipe		Cyl no 3
29	3580082	4	Clamp		
30	947542	2	Flange screw		
31	945407	2	Flange nut		
32	3803442	3	Injector		
	3580592	3	* Injector		
			*	232	
	3803442	3	* Injector, exch		
			*	232	
33		3	Nut		Included in fuel injector.
34	3580631	3	Gasket		Included in fuel injector.
35	3580077	3	Gasket		
36	3584222	1	Leak-off pipe		(3580593)
37	11992	2	Gasket		
38	3580599	1	Screw		
39	3580091	1	Screw		
40	3580092	1	Sealing ring		

MD2010C, MD2010D, MD2020C, MD2020D, MD2030C, MD2030D, MD2040C, MD2040D



15133

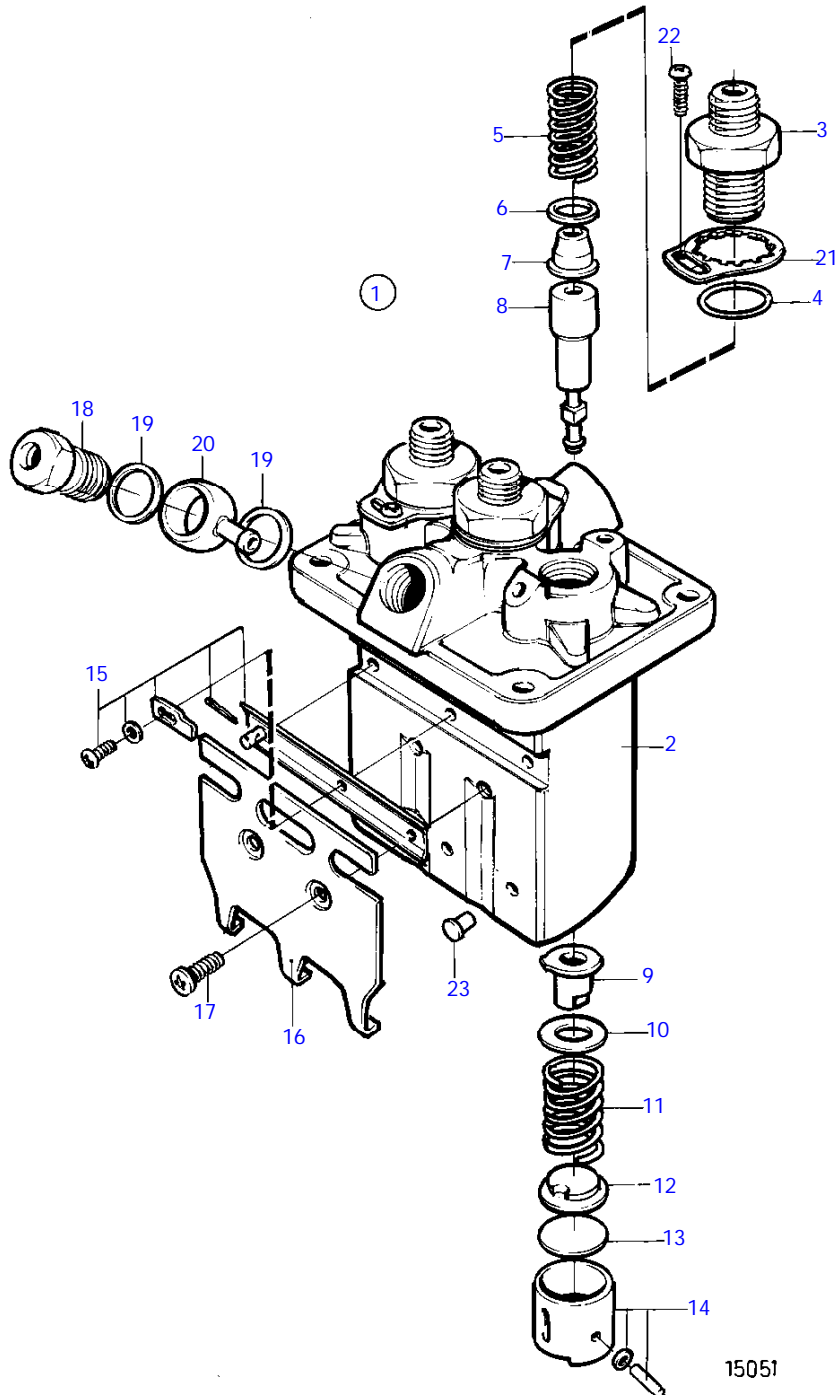
MD2010C, MD2010D, MD2020C, MD2020D, MD2030C, MD2030D, MD2040C, MD2040D

REF	PART NO.	QTY	DESCRIPTION	NOTES
1	3580100	1	Feed pump	
2		1	* Housing	
3		1	* Spring	Included in overhaul kit.
4	(3580192)	1	* Tappet	Obsolete part
5		1	* Spring	Included in overhaul kit.
6		1	* Diaphragm	Included in overhaul kit.
7		1	* Pin	Included in overhaul kit.
8		1	* Lever	Included in overhaul kit.
9	3580197	1	* O-ring	Included in overhaul kit.
10		1	* Spring	Included in overhaul kit.
11		1	* Pin	Included in overhaul kit.
12	3580200	1	* Gasket	Included in overhaul kit.
13		1	* Cover	
14	(3580202)	6	* Screw	Obsolete part
15	11992	4	* Gasket	(3580203)
16	3580204	2	* Hollow screw	
17	(876688)	1	Repair kit	Obsolete part

MD2010C, MD2010D

REF	PART NO.	QTY	DESCRIPTION	NOTES
1	3580068	1	Injection pump	
2		1	* Housing	
3	(3580123)	2	* Retainer	Obsolete part
4	3580124	2	* O-ring	
5	3580125	2	* Spring	
6	3580276	2	* Gasket	(3580126)
7	(3580128)	2	* Delivery valve	Obsolete part
8	3580129	2	* Pump element tappet	
9	3580130	2	* Control sleeve	
10	3580131	2	* Washer	
11	3580132	2	* Spring	
12	3580133	2	* Washer	
13	(3580134)	X	* Adjusting washer	Obsolete part, TH=1,85mm
	(3580135)	X	* Adjusting washer	Obsolete part, TH=1,90mm
	(3580136)	X	* Adjusting washer	Obsolete part, TH=1,95mm
	(3580137)	X	* Adjusting washer	Obsolete part, TH=2.00mm
	(3580138)	X	* Adjusting washer	Obsolete part, TH=2.05mm
	(3580139)	X	* Adjusting washer	Obsolete part, TH=2.10mm
	(3580140)	X	* Adjusting washer	Obsolete part, TH=2.15mm
	(3580141)	X	* Adjusting washer	Obsolete part, TH=2.20mm
	(3580142)	X	* Adjusting washer	Obsolete part, TH=2.25mm
	(3580143)	X	* Adjusting washer	Obsolete part, TH=2.30mm
	(3580144)	X	* Adjusting washer	Obsolete part, TH=2.35mm
	3580145	X	* Adjusting washer	TH=2.40mm
	3580146	X	* Adjusting washer	TH=2.45mm
	3580147	X	* Adjusting washer	TH=2.50mm
14	3580148	2	* Tappet	
15	3580149	1	* Control rod	
16		1	* Bracket	
17	3580151	2	* Screw	
18	3580152	1	* Screw	
19	18665	2	* Gasket	
20	3580154	1	* Banjo nipple	
21	3580155	2	* Lock plate	
22	3580156	2	* Screw	
23	3580157	2	* Locking pin	

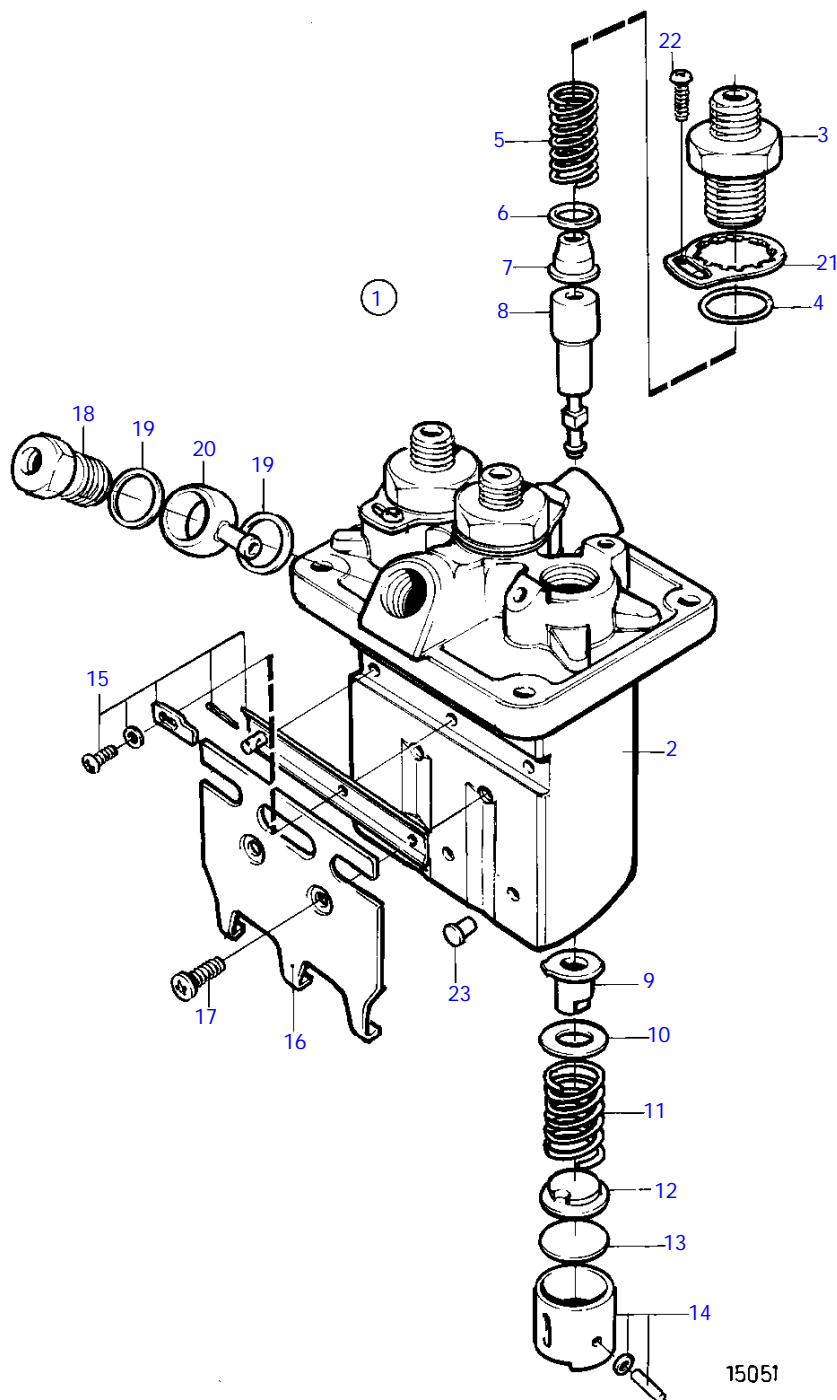
MD2020C, MD2020D



MD2020C, MD2020D

REF	PART NO.	QTY	DESCRIPTION	NOTES
1	3580263	1	Injection pump	
2		1	* Housing	
3	(3580275)	3	* Delivery valve retai	Obsolete part
4	3580124	3	* O-ring	
5	3580125	3	* Spring	
6	3580276	3	* Gasket	
7	(3580128)	3	* Delivery valve	Obsolete part
8	3580129	3	* Pump element tappet	
9	3580130	3	* Control sleeve	
10	3580131	3	* Washer	
11	3580132	3	* Spring	
12	3580133	3	* Washer	
13	(3580134)	X	* Adjusting washer	TH=1,85mm, Obsolete part
	(3580135)	X	* Adjusting washer	Obsolete part, TH=1,90mm
	(3580136)	X	* Adjusting washer	Obsolete part, TH=1,95mm
	(3580137)	X	* Adjusting washer	Obsolete part, TH=2.00mm
	(3580138)	X	* Adjusting washer	Obsolete part, TH=2.05mm
	(3580139)	X	* Adjusting washer	Obsolete part, TH=2.10mm
	(3580140)	X	* Adjusting washer	Obsolete part, TH=2.15mm
	(3580141)	X	* Adjusting washer	Obsolete part, TH=2.20mm
	(3580142)	X	* Adjusting washer	Obsolete part, TH=2.25mm
	(3580143)	X	* Adjusting washer	Obsolete part, TH=2.30mm
	(3580144)	X	* Adjusting washer	Obsolete part, TH=2.35mm
	3580145	X	* Adjusting washer	TH=2.40mm
	3580146	X	* Adjusting washer	TH=2.45mm
	3580147	X	* Adjusting washer	TH=2.50mm
14	3580148	3	* Tappet	
15	3580278	1	* Control rod	
16		1	* Bracket	
17	3580151	2	* Screw	
18	3580152	1	* Screw	
19	18665	2	* Gasket	
20	3580154	1	* Banjo nipple	
21	3580155	3	* Lock plate	
22	3580156	3	* Screw	
23	3580157	3	* Locking pin	

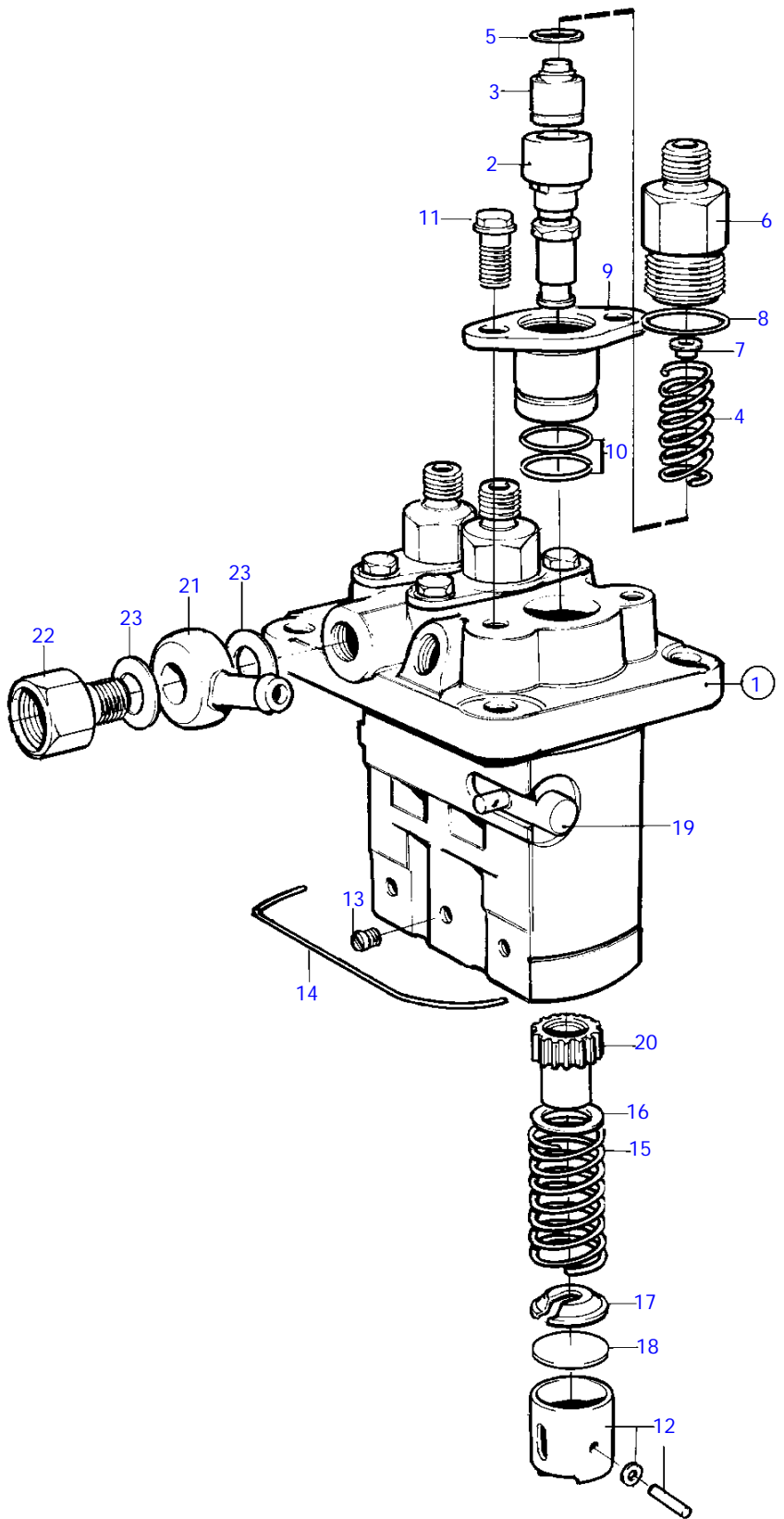
MD2030C, MD2030D



MD2030C, MD2030D

REF	PART NO.	QTY	DESCRIPTION	NOTES
1	3580382	1	Injection pump	
2		1	* Housing	
3	3580402	3	* Delivery valve retai	
4	3580124	3	* O-ring	
5	3580125	3	* Spring	
6	3580276	3	* Gasket	
7	(3580128)	3	* Delivery valve	Obsolete part
8	3580403	3	* Delivery valve	
9	3580130	3	* Control sleeve	
10	3580131	3	* Washer	
11	3580132	3	* Spring	
12	3580133	3	* Washer	
13	(3580134)	X	* Adjusting washer	TH=1,85mm, Obsolete part
	(3580135)	X	* Adjusting washer	Obsolete part, TH=1,90mm
	(3580136)	X	* Adjusting washer	Obsolete part, TH=1,95mm
	(3580137)	X	* Adjusting washer	Obsolete part, TH=2.00mm
	(3580138)	X	* Adjusting washer	Obsolete part, TH=2.05mm
	(3580139)	X	* Adjusting washer	Obsolete part, TH=2.10mm
	(3580140)	X	* Adjusting washer	Obsolete part, TH=2.15mm
	(3580141)	X	* Adjusting washer	Obsolete part, TH=2.20mm
	(3580142)	X	* Adjusting washer	Obsolete part, TH=2.25mm
	(3580143)	X	* Adjusting washer	Obsolete part, TH=2.30mm
	(3580144)	X	* Adjusting washer	Obsolete part, TH=2.35mm
	3580145	X	* Adjusting washer	TH=2.40mm
	3580146	X	* Adjusting washer	TH=2.45mm
	3580147	X	* Adjusting washer	TH=2.50mm
14	3580148	3	* Tappet	
15	3580278	1	* Control rod	
16		1	* Bracket	
17	3580151	2	* Screw	
18	3580152	1	* Screw	
19	18665	2	* Gasket	
20	3580154	1	* Banjo nipple	
21	3580155	3	* Lock plate	
22	3580156	3	* Screw	
23	3580157	3	* Locking pin	

MD2040C, MD2040D

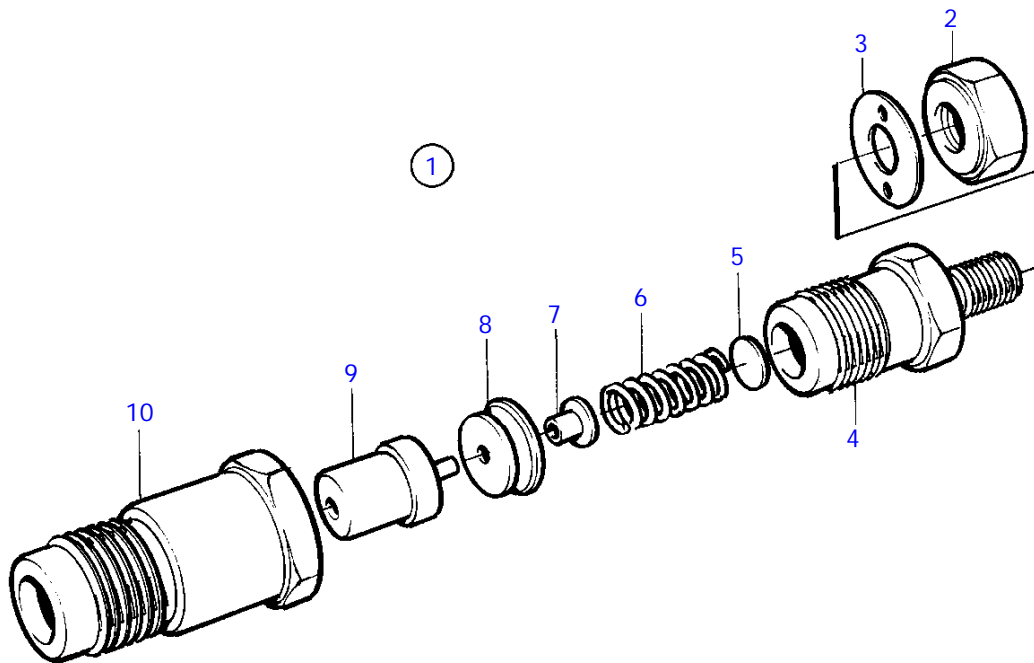


15062

MD2040C, MD2040D

REF	PART NO.	QTY	DESCRIPTION	NOTES
1	3580127	1	Fuel pump	
2	3580608	3	* Pump element tappet	
3	3580609	3	* Delivery valve	
4	3580610	3	* Spring	
5	3580611	3	* Gasket	
6	3580612	3	* Gasket	
7	3580613	3	* Valve seat	
8	3580614	3	* O-ring	
9		3	* Sleeve	
10	3580616	6	* O-ring	
11	3580617	6	* Screw	
12	(3580618)	3	* Tappet	Obsolete part
13	(3580619)	3	* Pin	Obsolete part
14	(3580620)	1	* Lock ring	Obsolete part
15	3580621	3	* Spring	
16	(3580622)	3	* Spring seat	Obsolete part
17	(3580623)	3	* Spring seat	Obsolete part
18	(3580624)	X	* Adjusting washer	Obsolete part
19	(3580625)	1	* Control rod	Obsolete part
20	3580626	1	* Control sleeve	
21	3580627	1	* Banjo nipple	
22	3580628	1	* Hollow screw	
23	11994	2	* Gasket	

MD2010C, MD2010D, MD2020C, MD2020D

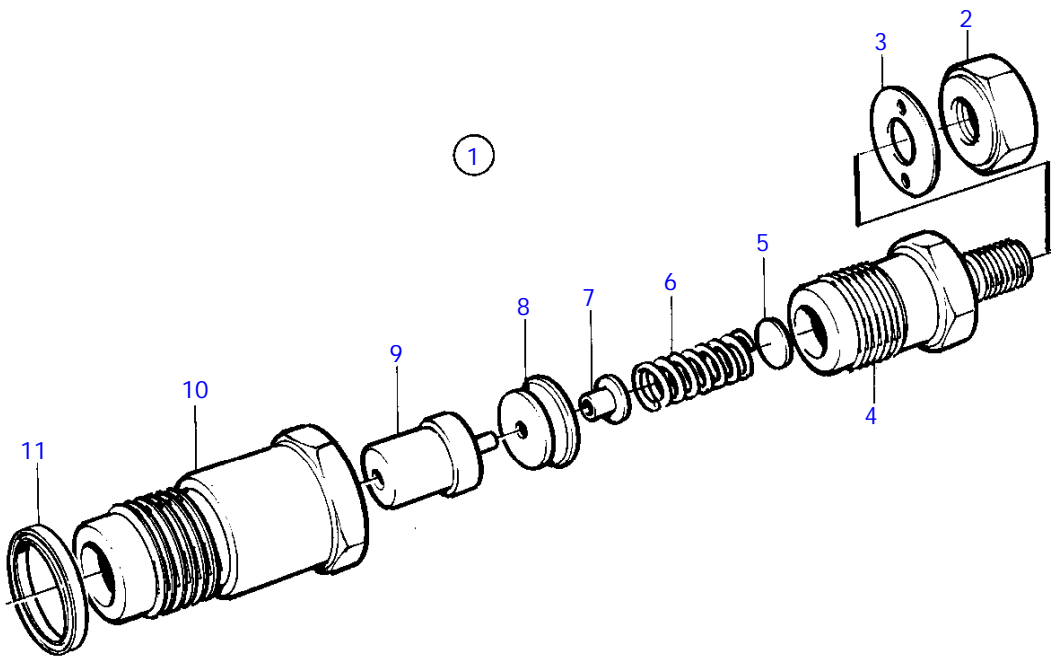


11659

MD2010C, MD2010D, MD2020C, MD2020D

REF	PART NO.	QTY	DESCRIPTION	NOTES
1	3580078	1	Injector	
	3803440	1	Injector, exch	
	3803440	1	Injector	
2	3580158	1	* Nut	
3	3580631	1	* Gasket	(3580159)
4		1	* Retainer	
5	3580161	X	* Adjusting washer	TH=0,90mm
	3580162	X	* Adjusting washer	TH=0,925mm
	3580163	X	* Adjusting washer	TH=0,95mm
	3580164	X	* Adjusting washer	TH=0,975mm
	3580165	X	* Adjusting washer	TH=1,00mm
	3580166	X	* Adjusting washer	TH=1,025mm
	3580167	X	* Adjusting washer	TH=1,05mm
	3580168	X	* Adjusting washer	TH=1,075mm
	3580169	X	* Adjusting washer	TH=1,10mm
	3580170	X	* Adjusting washer	TH=1,125mm
	3580171	X	* Adjusting washer	TH=1,15mm
	3580172	X	* Adjusting washer	TH=1,175mm
	3580173	X	* Adjusting washer	TH=1,20mm
	3580174	X	* Adjusting washer	TH=1,225mm
	3580175	X	* Adjusting washer	TH=1,25mm
	3580176	X	* Adjusting washer	TH=1,275mm
	3580177	X	* Adjusting washer	TH=1,30mm
	3580178	X	* Adjusting washer	TH=1,325mm
	3580179	X	* Adjusting washer	TH=1,35mm
	(3580180)	X	* Adjusting washer	TH=1,375mm, Obsolete part
	(3580181)	X	* Adjusting washer	TH=1,40mm, Obsolete part
	3580182	X	* Adjusting washer	TH=1,425mm
	3580183	X	* Adjusting washer	TH=1,45mm
6	3580184	1	* Spring	
7	3580185	1	* Pressure bolt	
8	3580186	1	* Spacer	
9	3580187	1	* Nozzle	
10		1	* Nut	

MD2030C

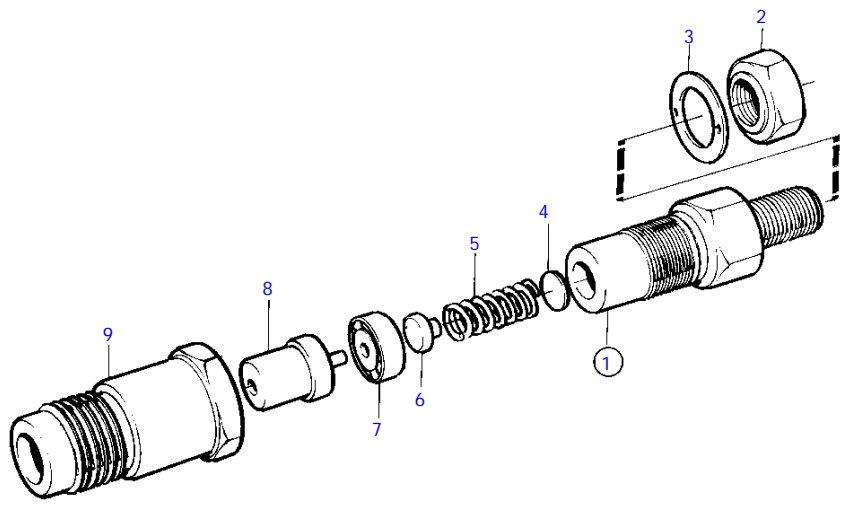


16131

MD2030C

REF	PART NO.	QTY	DESCRIPTION	NOTES
1	3580386	1	Injector	
	3803441	1	Injector, exch	
2	3580404	1	* Nut	
3	3580452	1	* Washer	
4		1	* Retainer	
5	3580406	X	* Washer	TH=1,00mm
	3580407	X	* Washer	TH=1,05mm
	3580408	X	* Washer	TH=1,10mm
	3580409	X	* Washer	TH=1,15mm
	3580410	X	* Washer	TH=1,20mm
	3580411	X	* Washer	TH=1,25mm
	3580412	X	* Washer	TH=1,30mm
	3580413	X	* Washer	TH=1,35mm
	3580414	X	* Washer	TH=1,40mm
	3580415	X	* Washer	TH=1,45mm
	3580416	X	* Washer	TH=1,50mm
	3580417	X	* Washer	TH=1,55mm
	3580418	X	* Washer	TH=1,60mm
	3580419	X	* Washer	TH=1,65mm
	3580420	X	* Washer	TH=1,70mm
	3580421	X	* Washer	TH=1,75mm
	3580422	X	* Washer	TH=1,80mm
	3580423	X	* Washer	TH=1,85mm
	3580424	X	* Washer	TH=1,90mm
6	3580425	1	* Spring	
7	3580426	1	* Pressure bolt	
8	3580427	1	* Spacer	
9	3580428	1	* Nozzle	
10		1	* Nut	
11	3580430	1	Gasket	

MD2040C

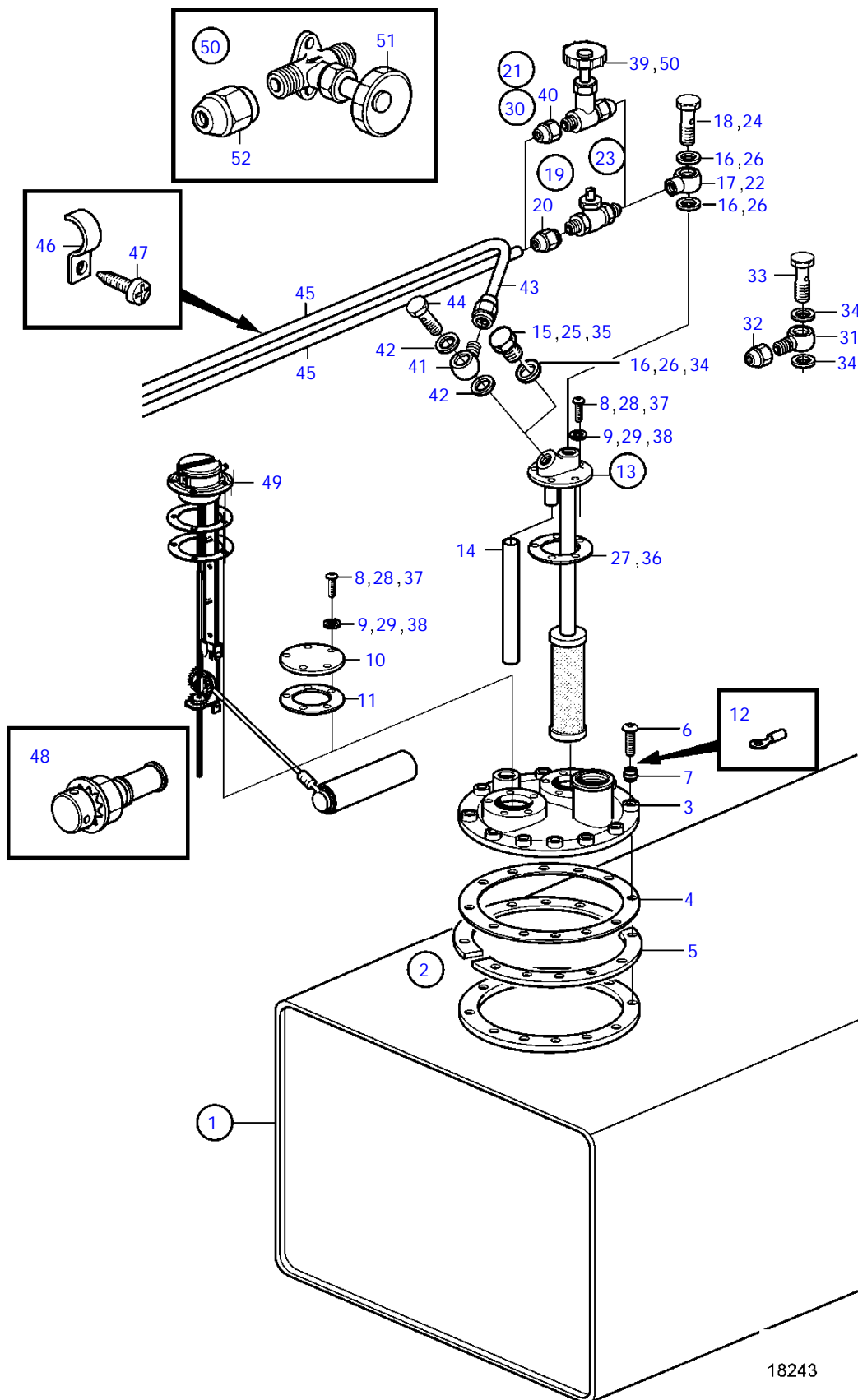


15079

MD2040C

REF	PART NO.	QTY	DESCRIPTION
1	3580592	1	Injector
	3803442	1	Injector, exch
2	3580630	1	* Nut
3	3580631	1	* Gasket
4	3580632	3	* Washer kit
5	3580633	1	* Spring
6	3580634	1	* Pressure bolt
7	3580635	1	* Spacer
8	3580636	1	* Nozzle
9		1	* Nut

MD2010C, MD2010D, MD2020C, MD2020D, MD2030C, MD2030D, MD2040C, MD2040D

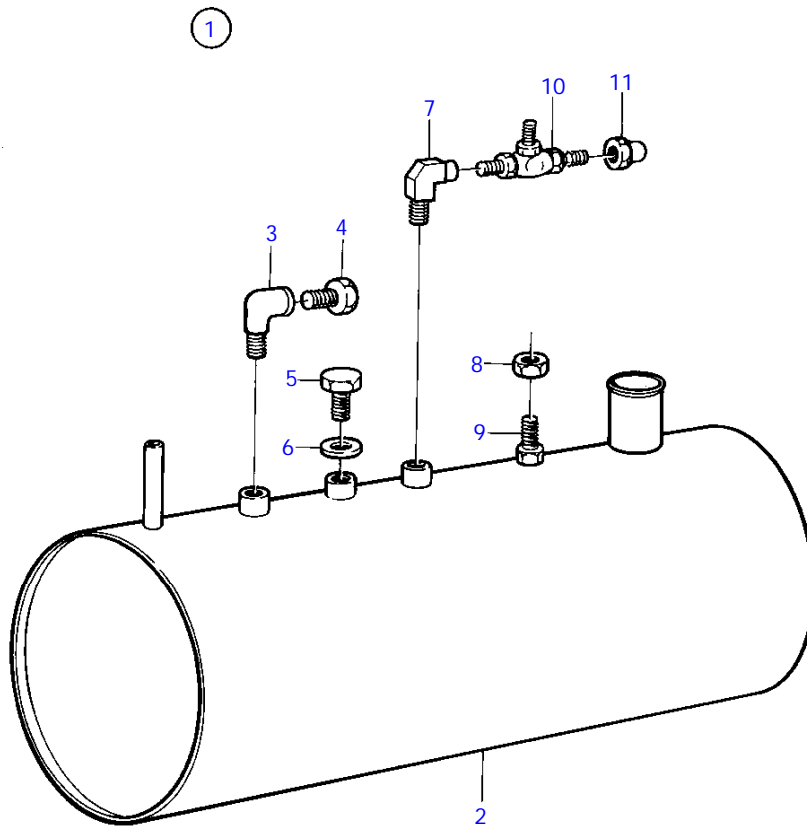


18243

MD2010C, MD2010D, MD2020C, MD2020D, MD2030C, MD2030D, MD2040C, MD2040D

REF	PART NO.	QTY	DESCRIPTION	SEE SEC.	NOTES
1	(1140064)	1	Fuel tank		40L, Obsolete part
2	(1140063)	1	* Cardboard tube		Obsolete part
3	833799	1	* * Cardboard tube		
4	859064	1	* * Gasket		
5	828338	1	* * Flange		
6	956080	12	* * Cross recessed screw		
7	834481	12	* * Gasket		
8	969405	10	* * 6 point socket screw		
9	941905	10	* * Spring washer		
10	833801	1	* * Cardboard tube		
11	89865	1	* * Gasket		
12	881493	1	* * Cable terminal		
13	828341	1	* Suction pipe		L=242mm
	828372	1	* Suction pipe		L=333mm
	828373	1	* Suction pipe		L=458mm
14	941279	1	* * Hose		
15	191830	1	* Plug		
16	957178	3	* Gasket		
17	833857	1	* Banjo nipple		
18	25167	1	* Hollow screw		
19	(803684)	1	* Shut-off cock		Obsolete part
20	954322	1	* * Fitting nut		
21	(828375)	1	Connector kit		Obsolete part, 5/16"
22	833857	1	* Banjo nipple		
23	(803684)	1	* Shut-off cock		Obsolete part, 5/16"
24	25167	1	* Hollow screw		
25	191830	1	* Plug		
26	957178	3	* Gasket		
27	89865	1	* Gasket		
28	969405	10	* 6 point socket screw		(956076)
29	941905	10	* Spring washer		
30	(828376)	1	Connector kit		Obsolete part, 3/8"
31	191600	1	* Banjo nipple		
32	954323	1	* Fitting nut		
33	25167	1	* Hollow screw		
34	957178	3	* Gasket		
35	191830	1	* Plug		
36	89865	1	* Gasket		
37	969405	10	* 6 point socket screw		(956076)
38	941905	10	* Spring washer		
39	841523	1	* Faucet		3/8"
40	954323	2	* Fitting nut		
41	1140724	1	Level guard		Replaced by 1pc banjo nipple 861101, 1pc nipple 190962 and 1pc cap nut.
42	957178	2	Gasket		
43	807061	1	Cap nut		
44	25167	1	Hollow screw		
45	954305	X	Tube		5/16"
			* Bulletin P-23-4-3	P-23-4-3-EN	Fuel Line 5/16", Copper Pipe
45	954307	X	Tube		Replaced by 1140062
	1140062	X	Copper tube		3/8"
46	951189	X	Clamp		
47	968476	X	Flange screw		
48	(1144037)	1	Tank valve		Obsolete part
49		1	Tank gauge	9537	
50	838418	1	Fuel tap		3/8"
51	841523	1	* Faucet		
52	954323	2	* Fitting nut		

MD2010C, MD2010D, MD2020C, MD2020D, MD2030C, MD2030D, MD2040C, MD2040D

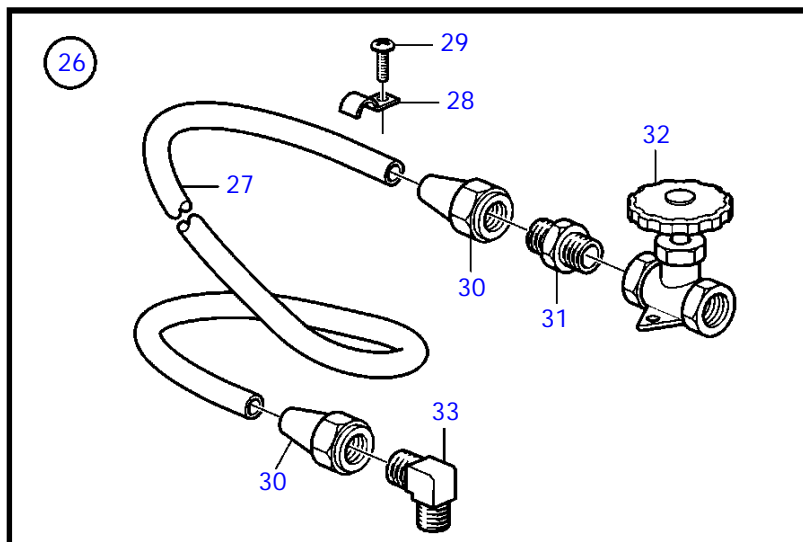
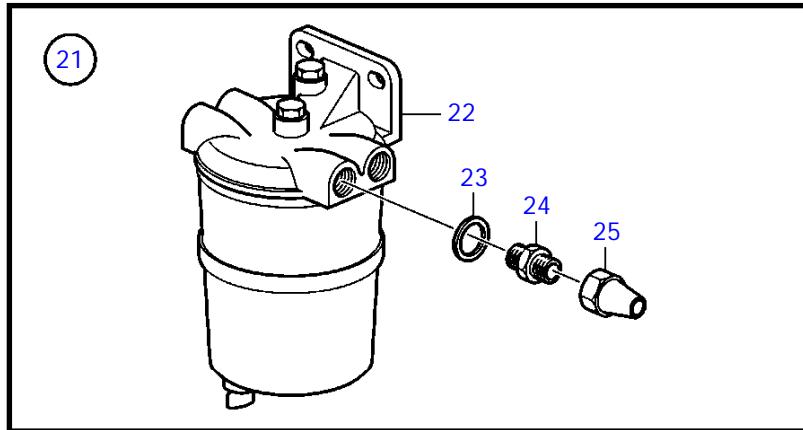
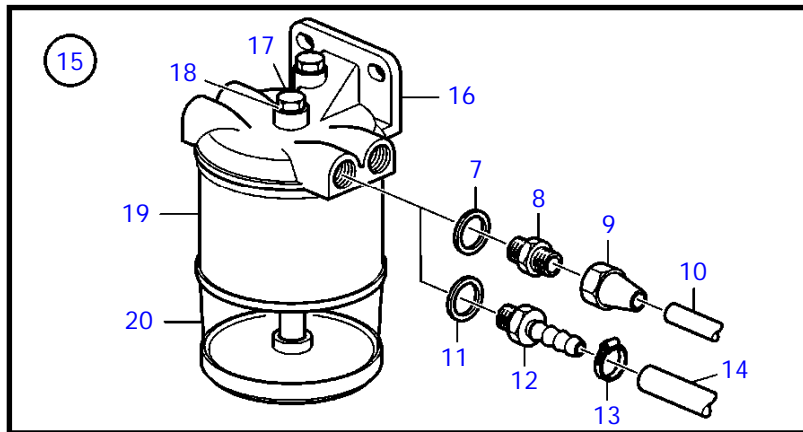
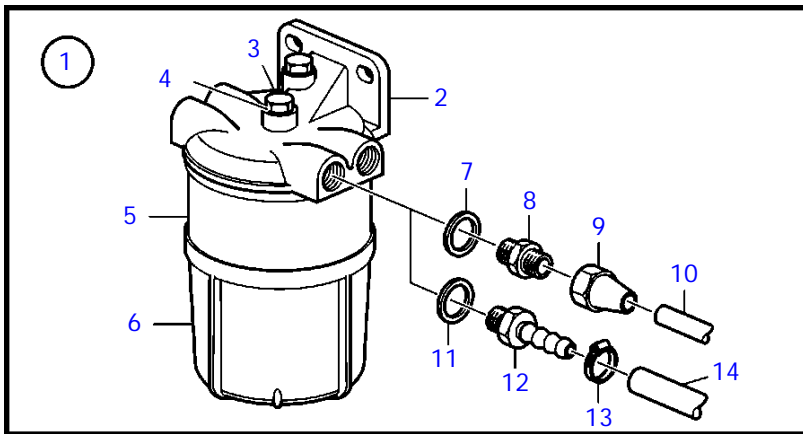


7569

MD2010C, MD2010D, MD2020C, MD2020D, MD2030C, MD2030D, MD2040C, MD2040D

REF	PART NO.	QTY	DESCRIPTION	NOTES
1	(828423)	1	Fuel tank	Obsolete part
2		1	* Fuel tank	20L
3	16218	1	* Elbow nipple	
4	981749	1	* Plug	
5	914391	1	* Plug	
6	(907134)	1	* Gasket	Obsolete part
7	16218	1	* Elbow nipple	
8	940197	1	* Hexagon nut	
9	963556	1	* Hexagon screw	
10	(803684)	1	* Shut-off cock	Obsolete part
11	954322	1	* Fitting nut	

MD2010C, MD2010D, MD2020C, MD2020D, MD2030C, MD2030D, MD2040C, MD2040D

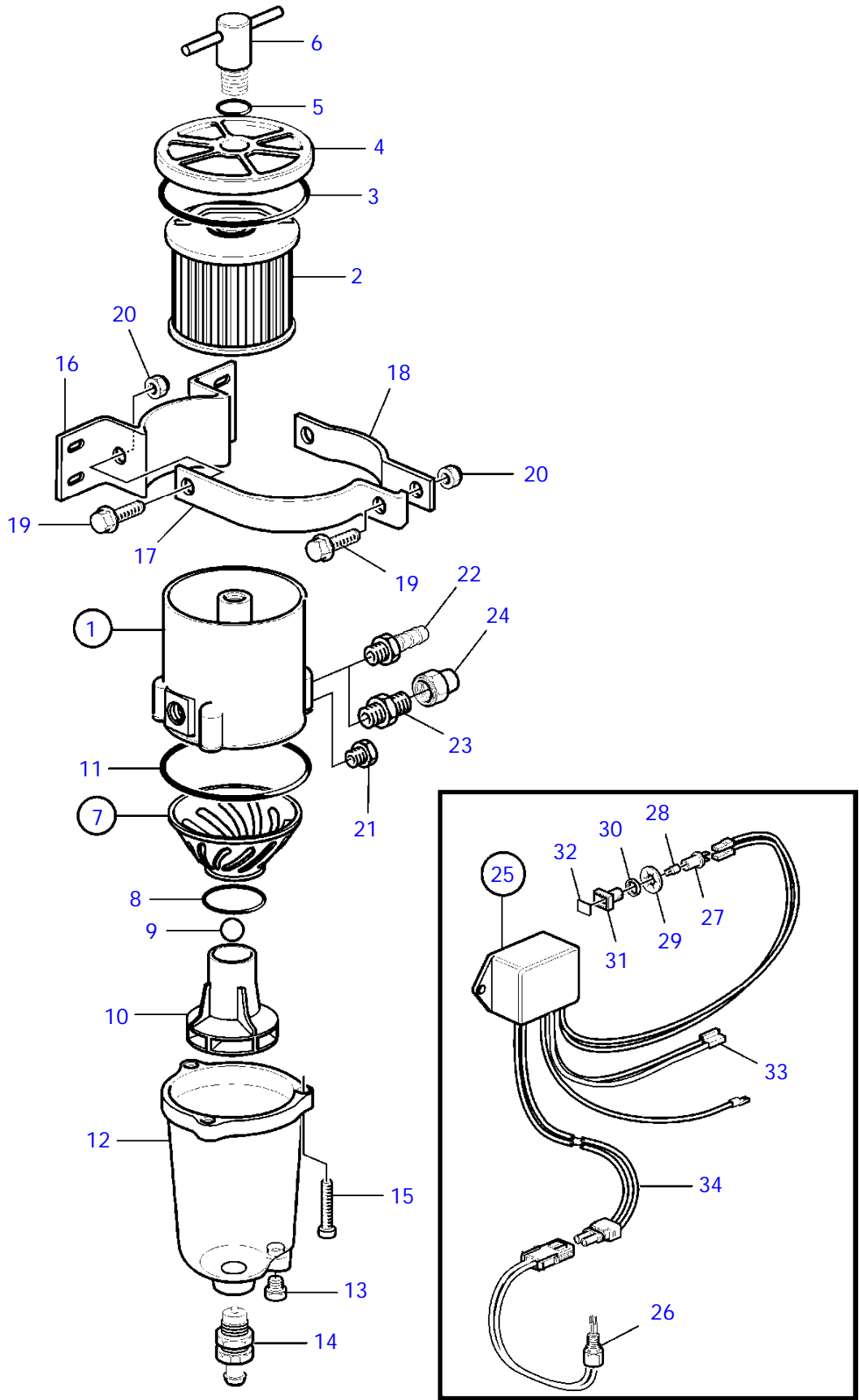


22464

MD2010C, MD2010D, MD2020C, MD2020D, MD2030C, MD2030D, MD2040C, MD2040D

REF	PART NO.	QTY	DESCRIPTION	SEE SEC.	NOTES
1	877766	1	Fuel filter		Fuel filter and water separator., Metal
2		1	* Fuel filter		
		2	* Bulletin 50-11A	50-11A-EN	Fuel Filters / Water Separators
3	940113	1	* * Hexagon screw		
4	11992	1	* * Gasket		
5	3581078	1	* * Filter insert		
6	3582499	1	* * Bowl		
7	18817	2	Gasket		
8	190962	2	Nipple		5/16"
	954337	2	Nipple		3/8"
9	954322	2	Fitting nut		5/16"
	954323	2	Fitting nut		3/8"
10	954305	X	* Tube		Water separator., 5/16"
			* Bulletin P-23-4-3	P-23-4-3-EN	Fuel Line 5/16", Copper Pipe
10	1140062	X	Copper tube		Water separator., 3/8"
11	957177	2	Gasket		
12	3825000	2	Hose nipple		
13	961664	2	Hose clamp		
14	861057	X	Fuel hose		3/8"
			* Bulletin P-23-4-4	P-23-4-4-EN	Fuel Hose P/N 861057
15	877767	1	Fuel filter		Plastic
16		1	* Fuel filter		
17	940113	1	* * Hexagon screw		
18	11992	1	* * Gasket		
19	3581078	1	* * Filter insert		
20	3581189	1	* * Bowl		
21	833972	1	Water separator		
22	833971	1	* Water separator		
23	957177	2	* Gasket		
24	191397	2	* Nipple		5/16"
	941438	2	* Nipple		3/8"
25	954322	2	* Fitting nut		5/16"
	954323	2	* Fitting nut		3/8"
26	(827912)	1	Fuel pipe		Obsolete part, 5/16"
			* Bulletin P-23-4-3	P-23-4-3-EN	Fuel Line 5/16", Copper Pipe
27	954305	1	* Tube		5/16", L=5000mm
			* Bulletin P-23-4-3	P-23-4-3-EN	Fuel Line 5/16", Copper Pipe
28	951189	15	* Clamp		
29	968476	15	* Flange screw		
30	954322	3	* Fitting nut		5/16"
31	954336	2	* Nipple		5/16"
32	3581708	1	* Faucet		
33	954343	1	* Elbow nipple		

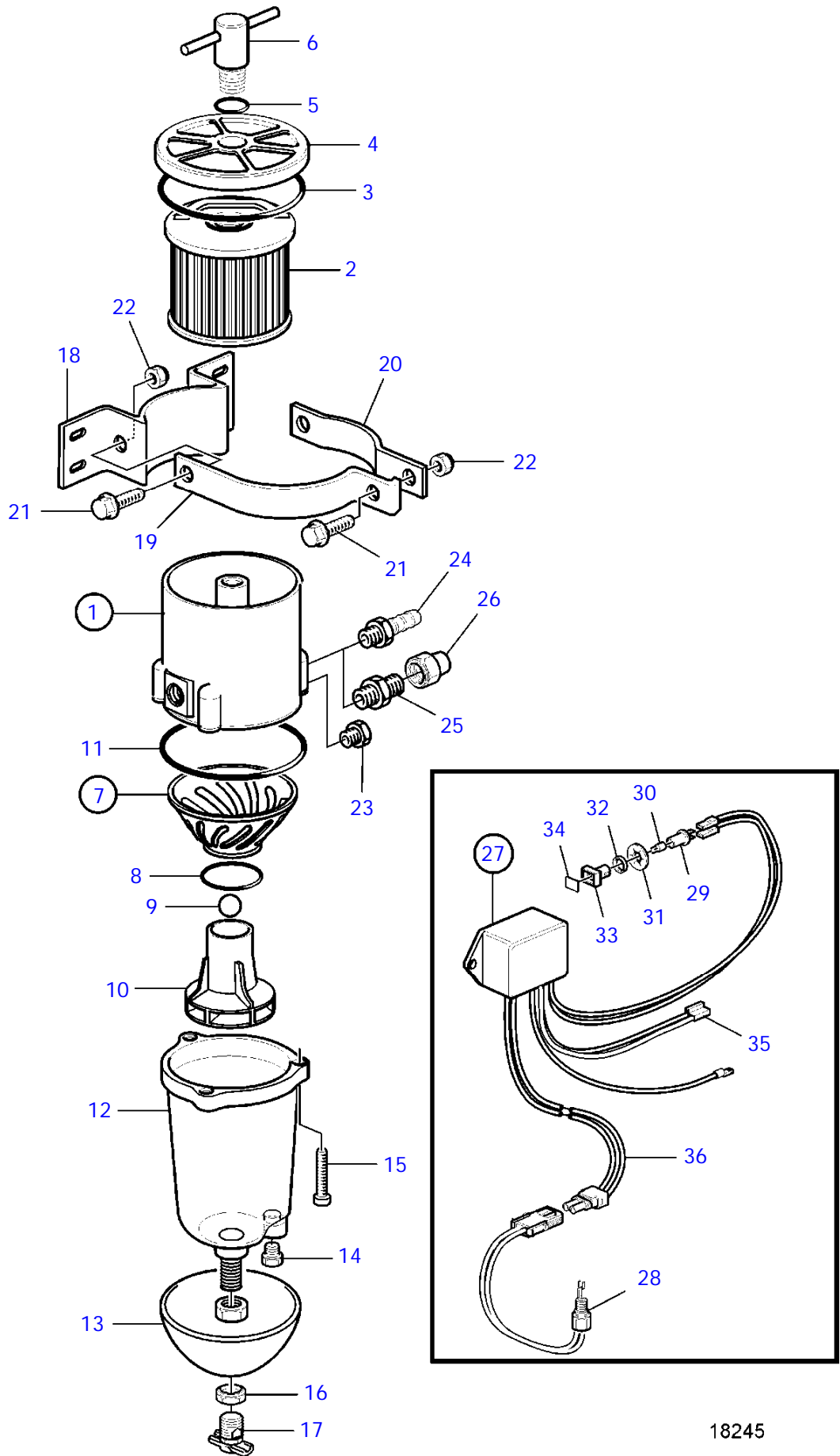
MD2010C, MD2010D, MD2020C, MD2020D, MD2030C, MD2030D, MD2040C, MD2040D



MD2010C, MD2010D, MD2020C, MD2020D, MD2030C, MD2030D, MD2040C, MD2040D

REF	PART NO.	QTY	DESCRIPTION	SEE SEC.	NOTES
1	861143	1	Fuel filter		Repl by 877762
			* Bulletin 50-03	50-03-EN	Extra Fuel/Water Separators, D2010, D22
			* Bulletin 50-10	50-10-EN	Changes in Fuel Filter Program due to Legislation
			* Bulletin 50-11A	50-11A-EN	Fuel Filters / Water Separators
1	877762	1	Fuel filter		
			*		
			*	9024	
2	861014	1	* Insert		
3	838504	1	* Gasket		
4		1	* Lock		
5	838505	1	* O-ring		
6		1	* Handle		
7	861455	1	* O-ring		
8		1	* * O-ring		
9		1	* * Ball		
10		1	* * Insert		
11	3838861	1	* * Gasket		(838502)
12	3838848	1	* Bowl		(861453)
13		1	* Plug		
14	861456	1	* Faucet		
15	950024	4	* Cross recessed screw		
16		1	* Bracket		
17		1	* Clamp		
18		1	* Clamp		
19		3	* Screw		
20		3	* Nut		
21		1	* Plug		
22	3825000	X	Hose nipple		(834781)
23	954337	X	Nipple		
24	954323	X	Fitting nut		
25	1140724	1	Level guard		
26	3588916	1	* Alarm kit		
27	808175	1	* Lamp socket		
28	19923	1	* Bulb		12V, 2W
	182059	1	* Bulb		24V, 3W
29	967583	1	* Retainer		
30	829714	1	* Sealing ring		
31	838455	1	* Retainer		
32	872591	1	* Symbol strip		
33		X	* cables and terminals	1963	
34	881774	1	Wiring harness		

MD2010C, MD2010D, MD2020C, MD2020D, MD2030C, MD2030D, MD2040C, MD2040D

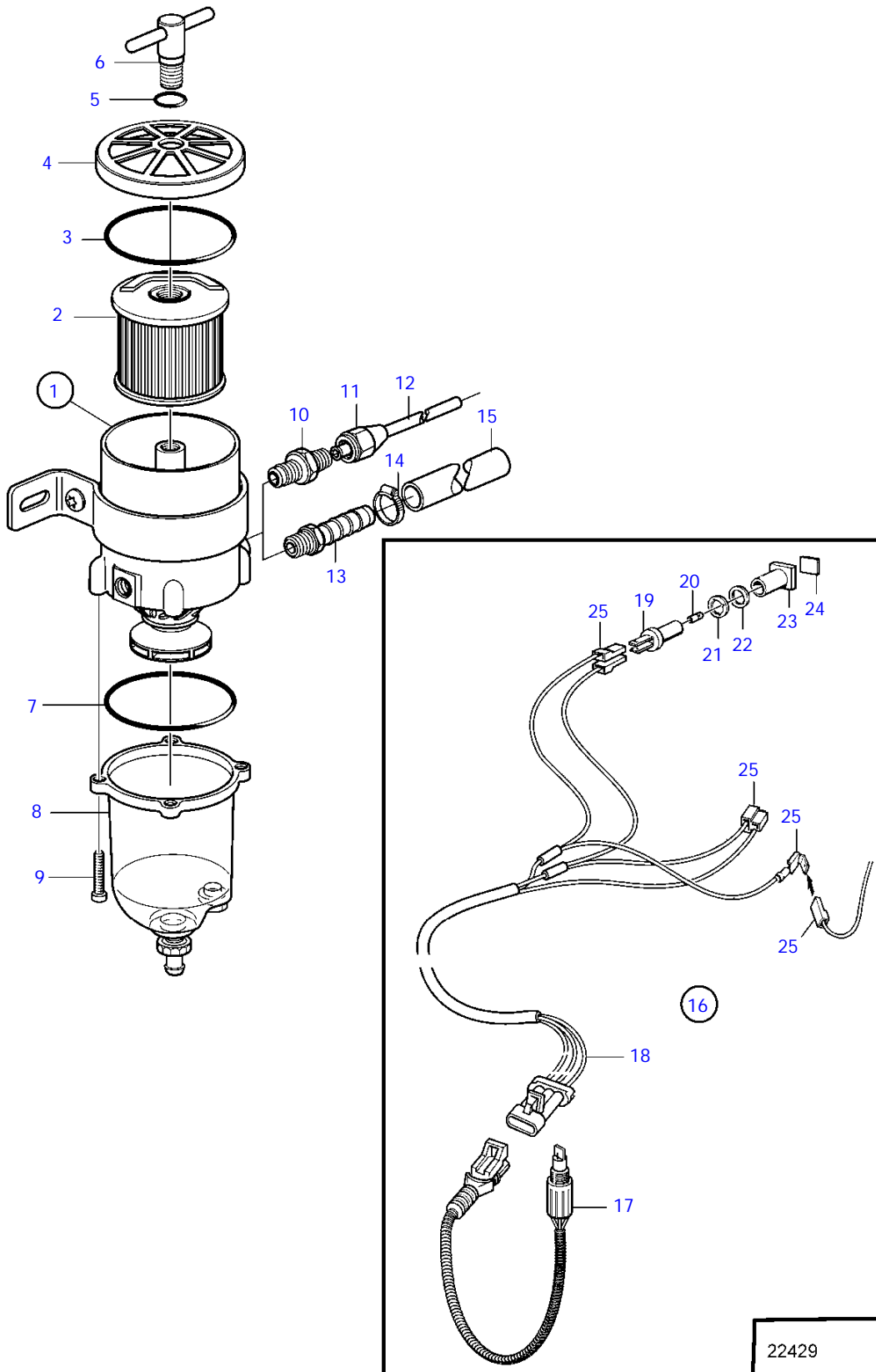


18245

MD2010C, MD2010D, MD2020C, MD2020D, MD2030C, MD2030D, MD2040C, MD2040D

REF	PART NO.	QTY	DESCRIPTION	SEE SEC.	NOTES
1	3582350	1	Fuel filter		Repl by 877763
			* Bulletin 50-11A	50-11A-EN	Fuel Filters / Water Separators
1	877763	1	Fuel filter		
			*	9025	
			*		
2	861014	1	* Insert		
3	838504	1	* Gasket		
4		1	* Lock		
5	838505	1	* O-ring		
6		1	* Handle		
7	861455	1	* O-ring		
8		1	* * O-ring		
9		1	* * Ball		
10		1	* * Insert		
11	3838861	1	* * Gasket		(838502)
12	3838849	1	Bowl		
13		1	* Heat shield		
14		1	* Plug		
15	950024	4	* Cross recessed screw		
16	861459	2	* Nut		
17	(861458)	1	* Faucet		Obsolete part
18		1	* Bracket		
19		1	* Clamp		
20		1	* Clamp		
21		3	* Screw		
22		3	* Nut		
23		1	* Plug		
24	3825000	X	Hose nipple		(834781)
25	954337	X	Nipple		
26	954323	X	Fitting nut		
27	1140724	1	Level guard		(1140609)
28	3588916	1	* Alarm kit		
29	808175	1	* Lamp socket		
30	19923	1	* Bulb		12V, 2W
	182059	1	* Bulb		24V, 3W
31	967583	1	* Retainer		
32	829714	1	* Sealing ring		
33	838455	1	* Retainer		
34	872591	1	* Symbol strip		
35		X	* cables and terminals	1963	
36	881774	1	Wiring harness		

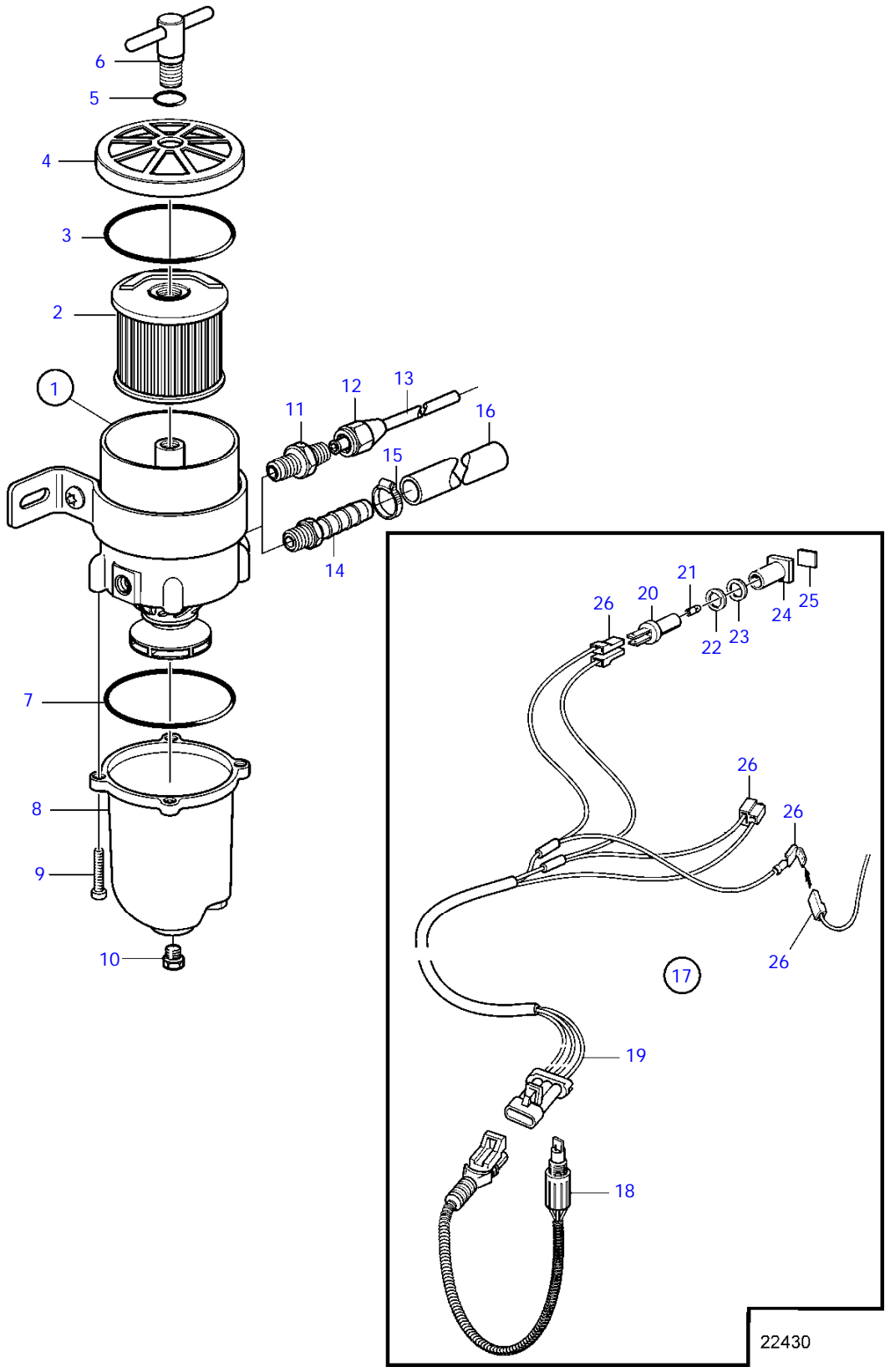
MD2010C, MD2010D, MD2020C, MD2020D, MD2030C, MD2030D, MD2040C, MD2040D



MD2010C, MD2010D, MD2020C, MD2020D, MD2030C, MD2030D, MD2040C, MD2040D

REF	PART NO.	QTY	DESCRIPTION	SEE SEC.	NOTES
1	877762	1	Fuel filter		(861143)
2	1147147	1	* Fuel filter insert		2 mikron
	861014	1	* Insert		10 mikron
	3581760	1	* Insert		30 mikron
3	838504	1	* Gasket		
4		1	* Lock		
5	838505	1	* O-ring		
6		1	* Handle		
7	3838861	1	* Gasket		
8	3838848	1	* Bowl		
9	950024	4	* Cross recessed screw		
10	954337	2	Nipple		
11	954323	2	Fitting nut		
12	1140062	2	Copper tube		
13	3825000	2	Hose nipple		
14	961664	2	Hose clamp		
15	861057	X	Fuel hose		3/8"
			* Bulletin P-23-4-4	P-23-4-4-EN	Fuel Hose P/N 861057
16	1140724	1	Level guard		
17	3588916	1	* Alarm kit		
18	881774	1	* Wiring harness		
19	808175	1	* Lamp socket		
20	19923	1	* Bulb		12V, 2W
	182059	1	* Bulb		24V, 3W
21	967583	1	* Retainer		
22	829714	1	* Sealing ring		
23	838455	1	* Retainer		
24	872591	1	* Symbol strip		
25		X	* cables and terminals	1963	

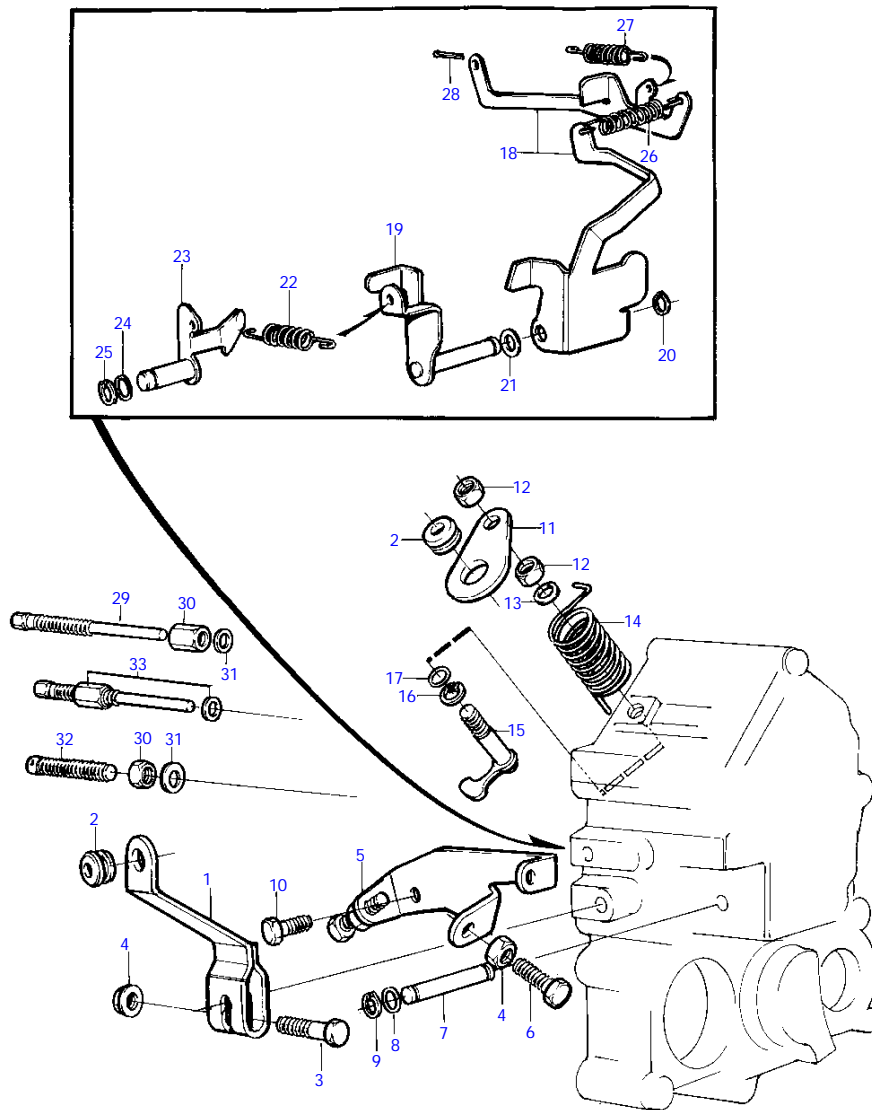
MD2010C, MD2010D, MD2020C, MD2020D, MD2030C, MD2030D, MD2040C, MD2040D



MD2010C, MD2010D, MD2020C, MD2020D, MD2030C, MD2030D, MD2040C, MD2040D

REF	PART NO.	QTY	DESCRIPTION	SEE SEC.	NOTES
1	877763	1	Fuel filter		
2	1147147	1	* Fuel filter insert		2 mikron
	861014	1	* Insert		10 mikron
	3581760	1	* Insert		30 mikron
3	838504	1	* Gasket		
4		1	* Lock		
5	838505	1	* O-ring		
6		1	* Handle		
7	3838861	1	* Gasket		
8	3838849	1	* Bowl		
9	950024	4	* Cross recessed screw		
10	952075	1	* Plug		
11	954337	2	Nipple		
12	954323	2	Fitting nut		
13	1140062	2	Copper tube		
14	3825000	2	Hose nipple		
15	961664	2	Hose clamp		
16	861057	X	Fuel hose		3/8"
			* Bulletin P-23-4-4	P-23-4-4-EN	Fuel Hose P/N 861057
17	1140724	1	Level guard		
18	3588916	1	* Alarm kit		
19	881774	1	* Wiring harness		
20	808175	1	* Lamp socket		
21	19923	1	* Bulb		12V, 2W
	182059	1	* Bulb		24V, 3W
22	967583	1	* Retainer		
23	829714	1	* Sealing ring		
24	838455	1	* Retainer		
25	872591	1	* Symbol strip		
26		X	* cables and terminals	1963	

MD2010C, MD2010D

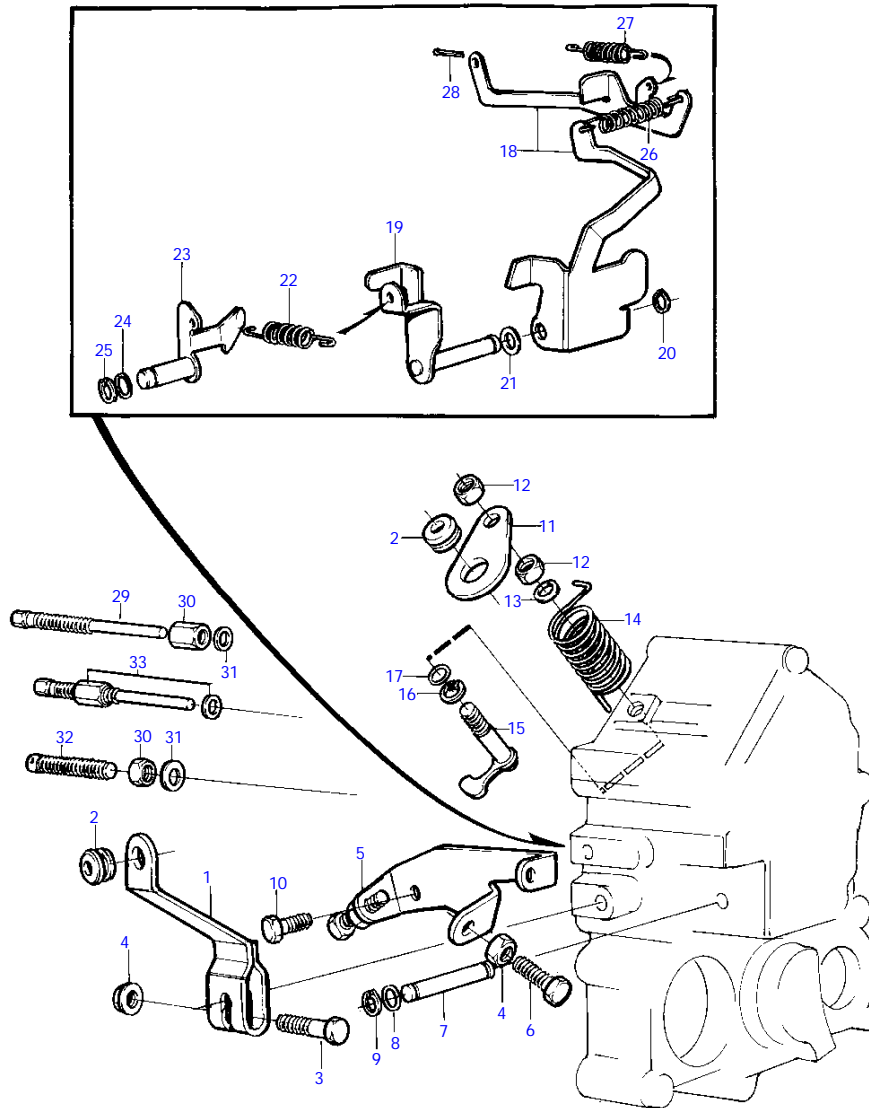


15095

MD2010C, MD2010D

REF	PART NO.	QTY	DESCRIPTION	NOTES
1	3580036	1	Intermediate lever, speed control	
2	843109	2	Bushing	
3	955275	1	Hexagon screw	(3580037)
4	945407	3	Flange nut	
5	3580042	1	Stay	
6	955274	2	Hexagon screw	
7	3809019	1	Shaft	(3580039)
8	3580040	1	O-ring	
9	3580041	1	Lock ring	
10	945414	2	Flange screw	
11	3580051	1	Intermediate lever, stop	
12	955782	2	Hexagon nut	(3580050)
13	191172	1	Washer	
14	3580048	1	Spring	
15	3580045	1	Arm	
16	3580046	1	Lock ring	
17	3580047	1	O-ring	
18	3580027	1	Intermediate lever	
19		1	* Lever	
20	3580030	1	* Lock ring	
21	3580031	1	* Washer	
22	3580033	1	Spring	
23	3580034	1	Arm	
24	3580035	1	O-ring	
25	3580030	1	Lock ring	
26	3580058	1	Spring	
27	3580057	1	Spring	
28	3580032	1	Locking pin	
30	3583664	1	Nut	
31	3580087	1	Sealing ring	
32	3580089	1	Screw	
33	3580086	1	Adjusting screw	

MD2020C, MD2020D

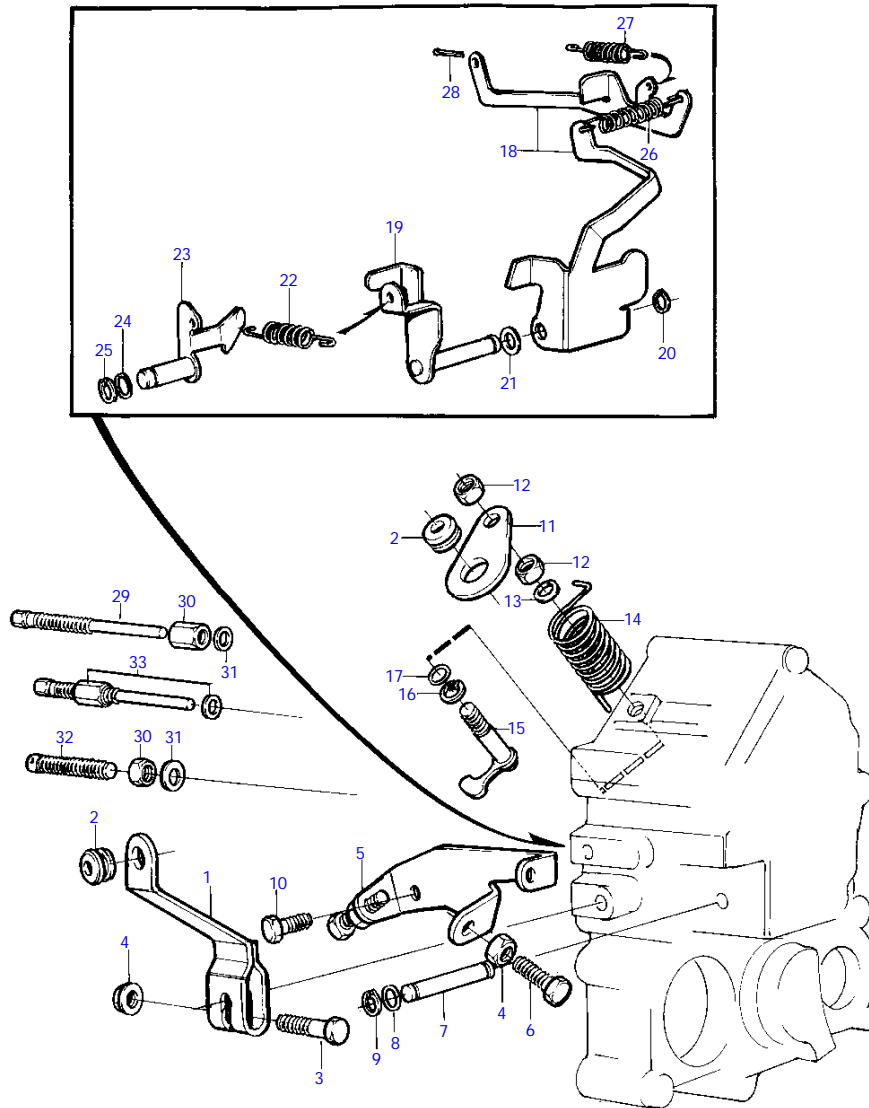


15095

MD2020C, MD2020D

REF	PART NO.	QTY	DESCRIPTION	NOTES
1	3580036	1	Intermediate lever, speed control	
2	843109	2	Bushing	
3	955275	1	Hexagon screw	(3580037)
4	945407	3	Flange nut	
5	3580042	1	Stay	
6	955274	2	Hexagon screw	
7	3809019	1	Shaft	(3580039)
8	3580040	1	O-ring	
9	3580041	1	Lock ring	
10	945414	2	Flange screw	
11	3580051	1	Intermediate lever, stop	
12	955782	2	Hexagon nut	(3580050)
13	191172	1	Washer	
14	3580048	1	Spring	
15	3580045	1	Arm	
16	3580046	1	Lock ring	
17	3580047	1	O-ring	
18	3580261	1	Intermediate lever	
19		1	* Lever	
20	3580030	1	* Lock ring	
21	3580031	1	* Washer	
22	3580033	1	Spring	
23	3580034	1	Arm	
24	3580035	1	O-ring	
25	3580030	1	Lock ring	
26	3580058	1	Spring	
27	3580057	1	Spring	
28	3580032	1	Locking pin	
30	3583664	1	Nut	
31	3580087	1	Sealing ring	
32	3580089	1	Screw	
33	3580086	1	Adjusting screw	

MD2030C, MD2030D

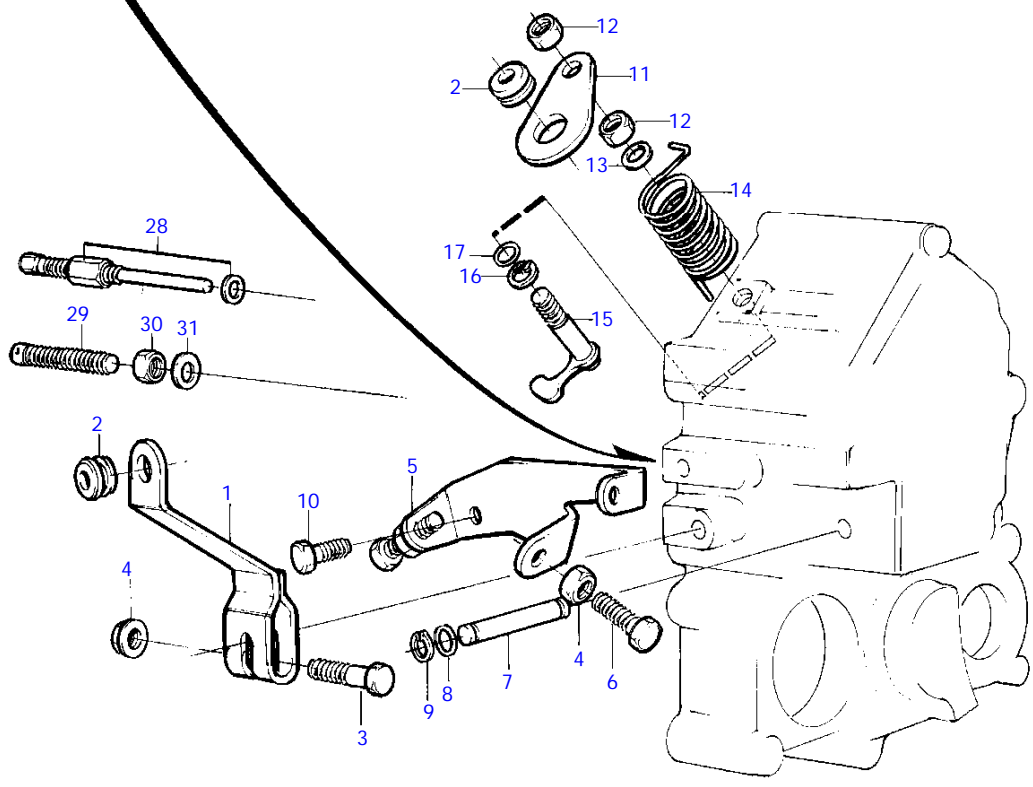
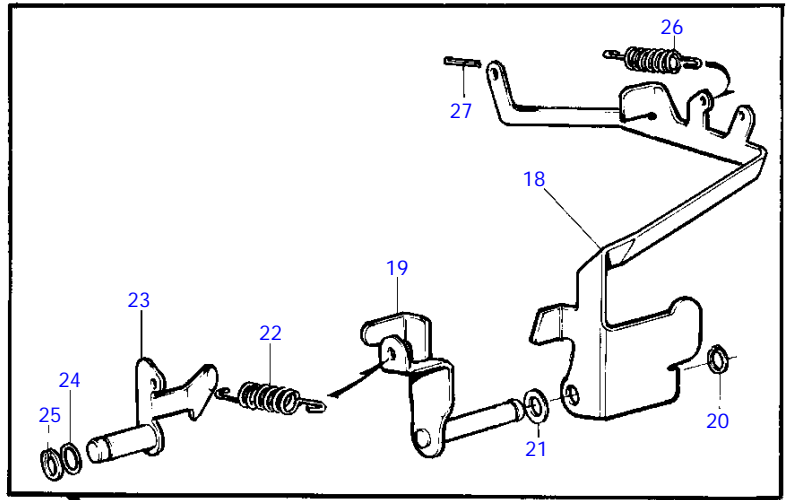


15095

MD2030C, MD2030D

REF	PART NO.	QTY	DESCRIPTION	NOTES
1	3580036	1	Intermediate lever, speed control	
2	843109	2	Bushing	
3	955275	1	Hexagon screw	(3580037)
4	945407	3	Flange nut	
5	3580042	1	Stay	
6	955274	2	Hexagon screw	
7	3809019	1	Shaft	(3580039)
8	3580040	1	O-ring	
9	3580041	1	Lock ring	
10	945414	2	Flange screw	
11	3580051	1	Intermediate lever, stop	
12	955782	2	Hexagon nut	(3580050)
13	191172	1	Washer	
14	3580048	1	Spring	
15	3580045	1	Arm	
16	3580046	1	Lock ring	
17	3580047	1	O-ring	
18	3580375	1	Intermediate lever	
19		1	* Lever	
20	3580030	1	* Lock ring	
21	3580031	1	* Washer	
22	3819063	1	Spring	(3580376)
23	3580034	1	Arm	
24	3580035	1	O-ring	
25	3580030	1	Lock ring	
26	3580058	1	Spring	
27	3580931	1	Spring	
28	3580032	1	Locking pin	
29	3580392	1	Adjusting screw	
30	3583664	2	Nut	
31	3580087	2	Sealing ring	
32	3580089	1	Screw	
33	3580086	1	Adjusting screw	

MD2040C, MD2040D

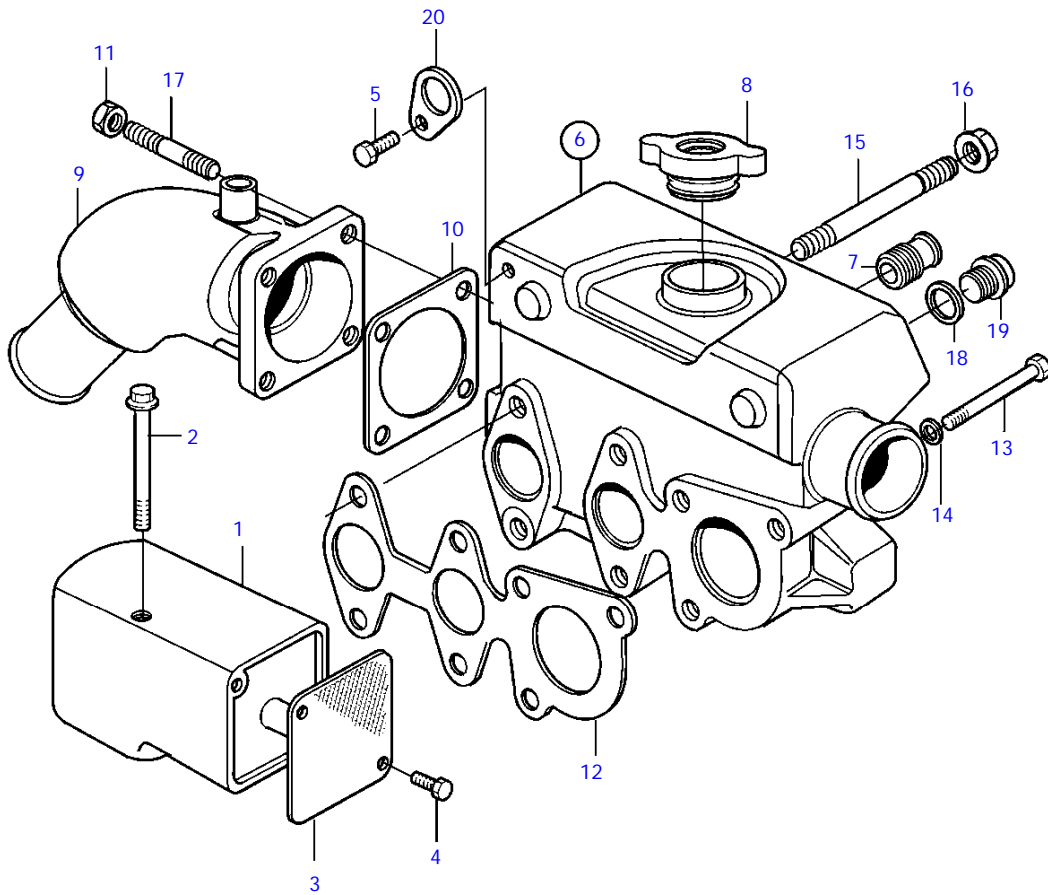


16185

MD2040C, MD2040D

REF	PART NO.	QTY	DESCRIPTION	NOTES
1	3580036	1	Intermediate lever, speed control	
2	843109	2	Bushing	
3	955275	1	Hexagon screw	(3580037)
4	945407	3	Flange nut	
5	3580042	1	Stay	
6	955274	2	Hexagon screw	(3580044)
7	3583759	1	Shaft	
8	3580040	1	O-ring	
9	3580041	1	Lock ring	
10	945414	1	Flange screw	
11	3580051	1	Intermediate lever, stop	
12	955782	2	Hexagon nut	(3580050)
13	191172	1	Washer	
14	3580048	1	Spring	
15	3580045	1	Arm	
16	3580046	1	Lock ring	
17	3580047	1	O-ring	
18	3580587	1	Intermediate lever	
19		1	* Lever	
20	3580030	1	* Lock ring	
21	3580031	1	* Washer	
22	3580589	1	Spring	
23	3580034	1	Arm	
24	3580035	1	O-ring	
25	3580030	1	Lock ring	
26	3580735	1	Spring	
27	3580032	1	Locking pin	
28	3580086	1	Adjusting screw	
29	3580089	1	Screw	
30	3583664	1	Nut	
31	3580087	1	Sealing ring	

MD2010C, MD2010D

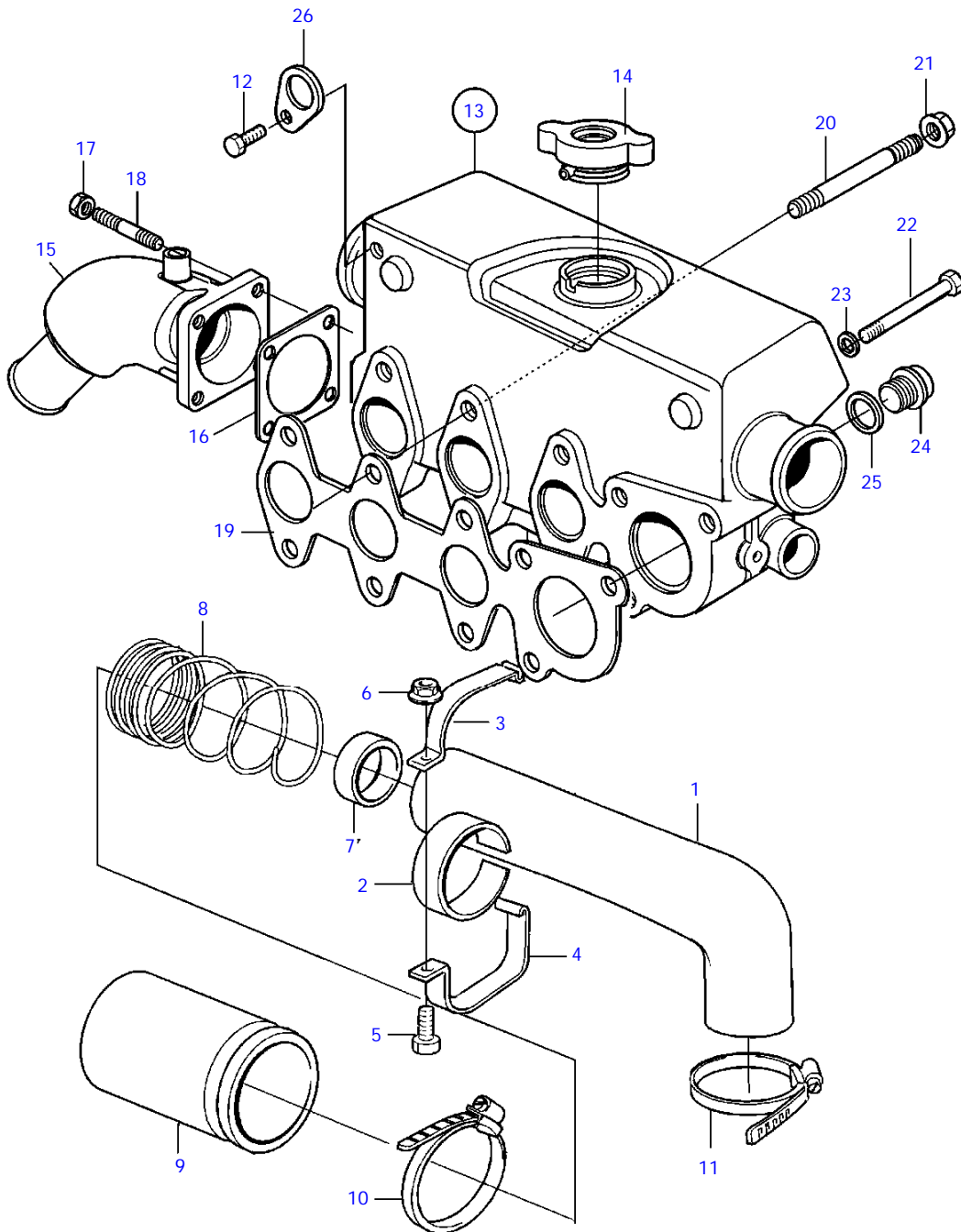


17630

MD2010C, MD2010D

REF	PART NO.	QTY	DESCRIPTION	SEE SEC.	NOTES
1	861898	1	Air inlet		
2	861899	2	Screw		
3	861900	1	Filter retainer		
4	861902	2	Screw		
5	861870	1	Screw		
6	3581924	1	Heat exchanger housi		
7	861904	1	* Tube		
8	3581770	1	Filler cap		
		1	Lock	573	When separate expansion tank is being used., Alt
9	861906	1	Exhaust riser		
10	861907	1	Gasket		
11	948645	4	Flange lock nut		
12	861909	1	Gasket		
13	955285	4	Hexagon screw		
14	861913	4	Spring washer		
15	861914	2	Stud		
16	945407	2	Flange nut		(861915)
17	953045	4	Stud		
18	861917	1	Washer		
19	861918	1	Plug		
20	(861869)	1	Lifting eye		Obsolete part

MD2020C, MD2020D

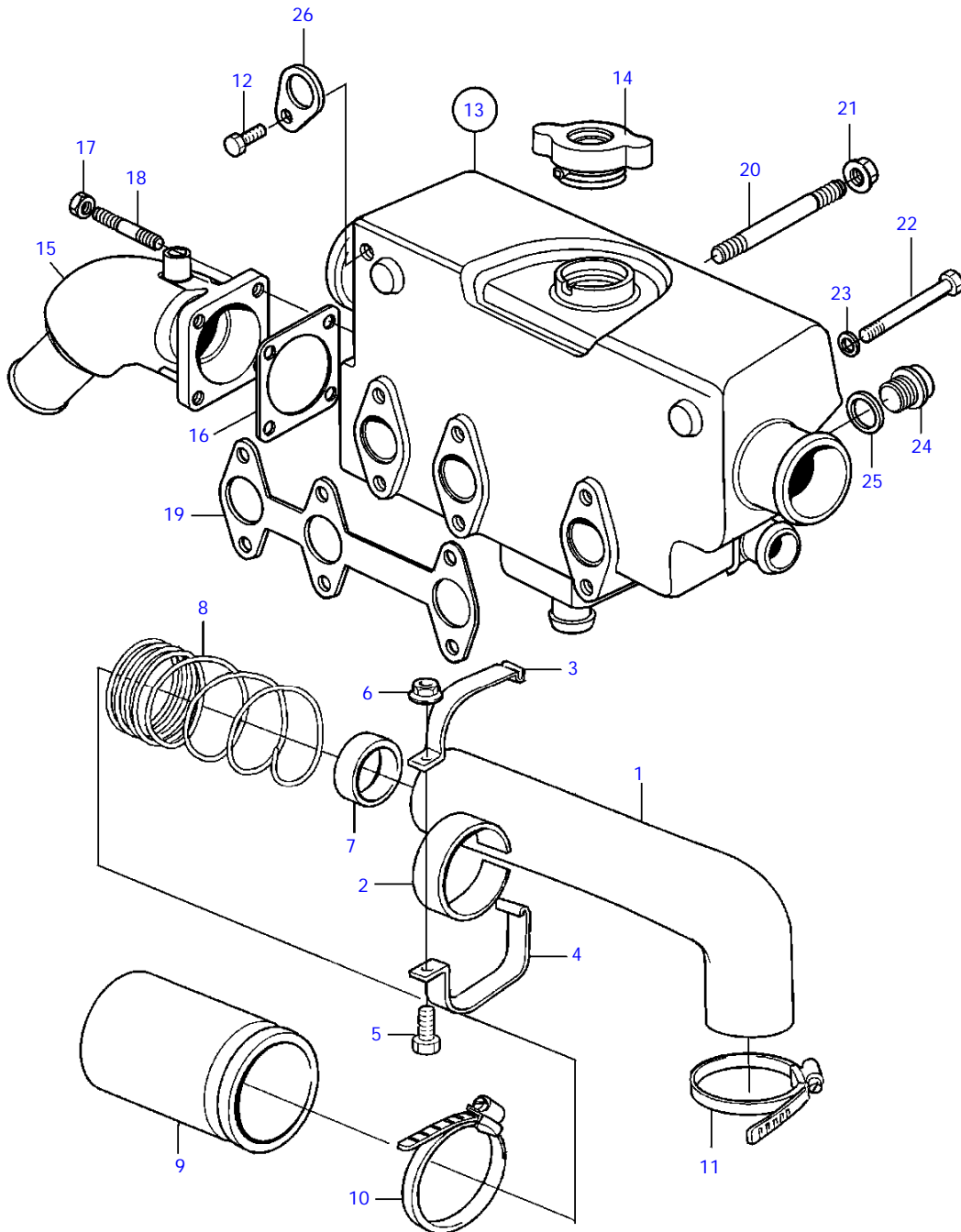


17686

MD2020C, MD2020D

REF	PART NO.	QTY	DESCRIPTION	SEE SEC.	NOTES
1	3581515	1	Hose		
2	3581401	1	Protecting sleeve		
3	3581398	1	Clamp		
4	3581399	1	Clamp		
5	967949	1	Flange screw		
6	945407	1	Flange nut		
7	3581400	1	Tube		
8	3580510	1	Spring		
9	3580509	1	Filter		
10	961673	1	Hose clamp		
11	961671	1	Hose clamp		
12	861870	1	Screw		
13	3581925	1	Heat exchanger housi		
14	3581770	1	Filler cap		
		1	Lock	573	When separate expansion tank is being used., Alt
15	861906	1	Exhaust riser		
16	861907	1	Gasket		
17	948645	4	Flange lock nut		
18	953045	4	Stud		
19	3580245	1	Gasket		
20	861914	2	Stud		
21	945407	2	Flange nut		
22	955285	4	Hexagon screw		(861912)
23	861913	4	Spring washer		
24	861918	1	Plug		
25	861917	1	Washer		
26	(861869)	1	Lifting eye		Obsolete part

MD2030C, MD2030D

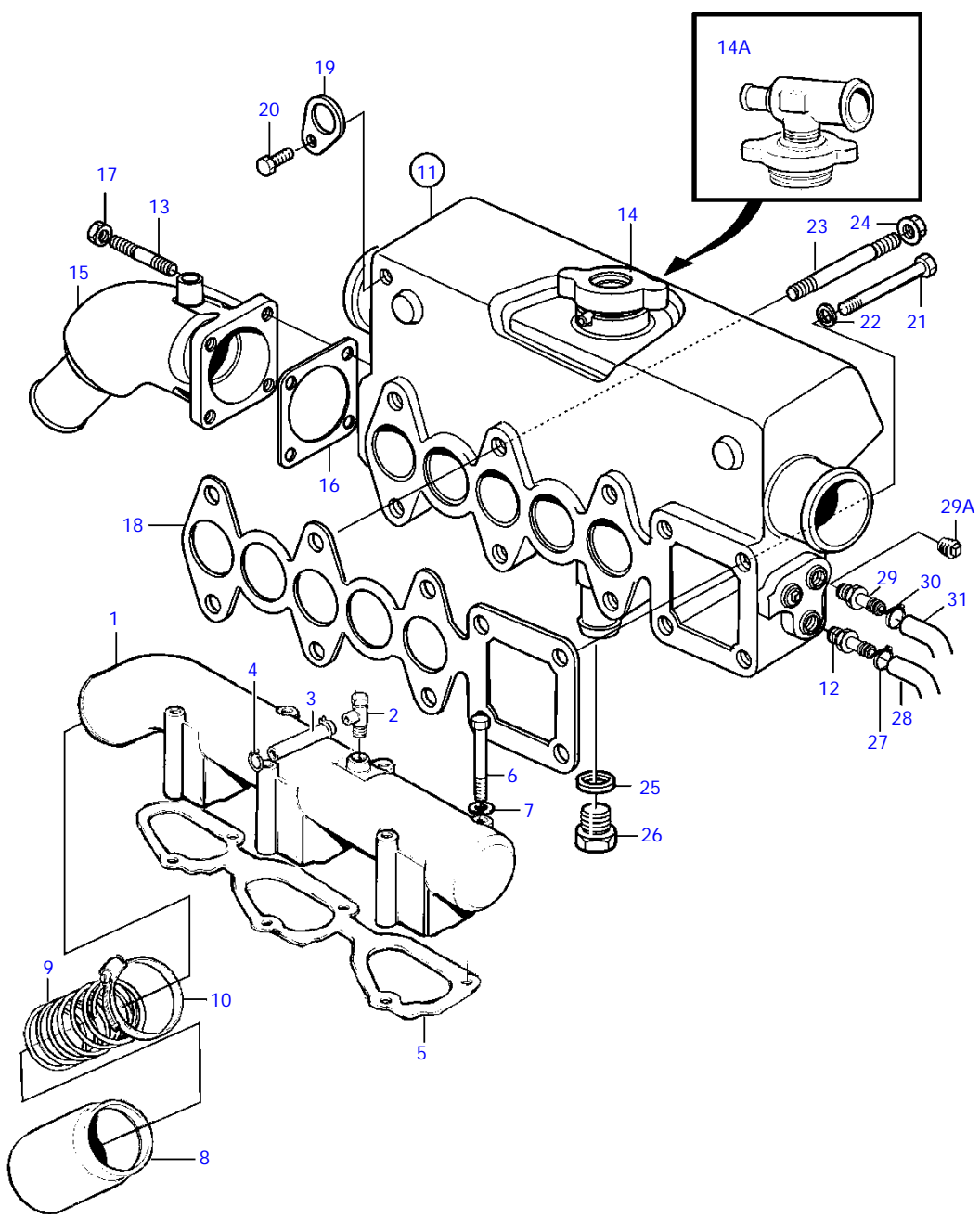


17633

MD2030C, MD2030D

REF	PART NO.	QTY	DESCRIPTION	SEE SEC.	NOTES
1	3580956	1	Hose		
2	3581401	1	Protecting sleeve		
3	3581398	1	Clamp		
4	3581399	1	Clamp		
5	967949	1	Flange screw		
6	945407	1	Flange nut		
7	3581400	1	Tube		
8	3580510	1	Spring		
9	3580509	1	Filter		
10	961673	1	Hose clamp		
11	961671	1	Hose clamp		
12	861870	1	Screw		
13	3581926	1	Heat exchanger housi		
14	3581770	1	Filler cap		
		1	Lock	573	When separate expansion tank is being used., Alt
15	861906	1	Exhaust riser		
16	861907	1	Gasket		
17	948645	4	Flange lock nut		
18	953045	4	Stud		
19	3580323	1	Gasket		
20	3580324	2	Stud		
21	945407	2	Flange nut		
22	955285	4	Hexagon screw		
23	861913	4	Spring washer		
24	861918	1	Plug		
25	861917	1	Washer		
26	(861869)	1	Lifting eye		Obsolete part

MD2040C, MD2040D



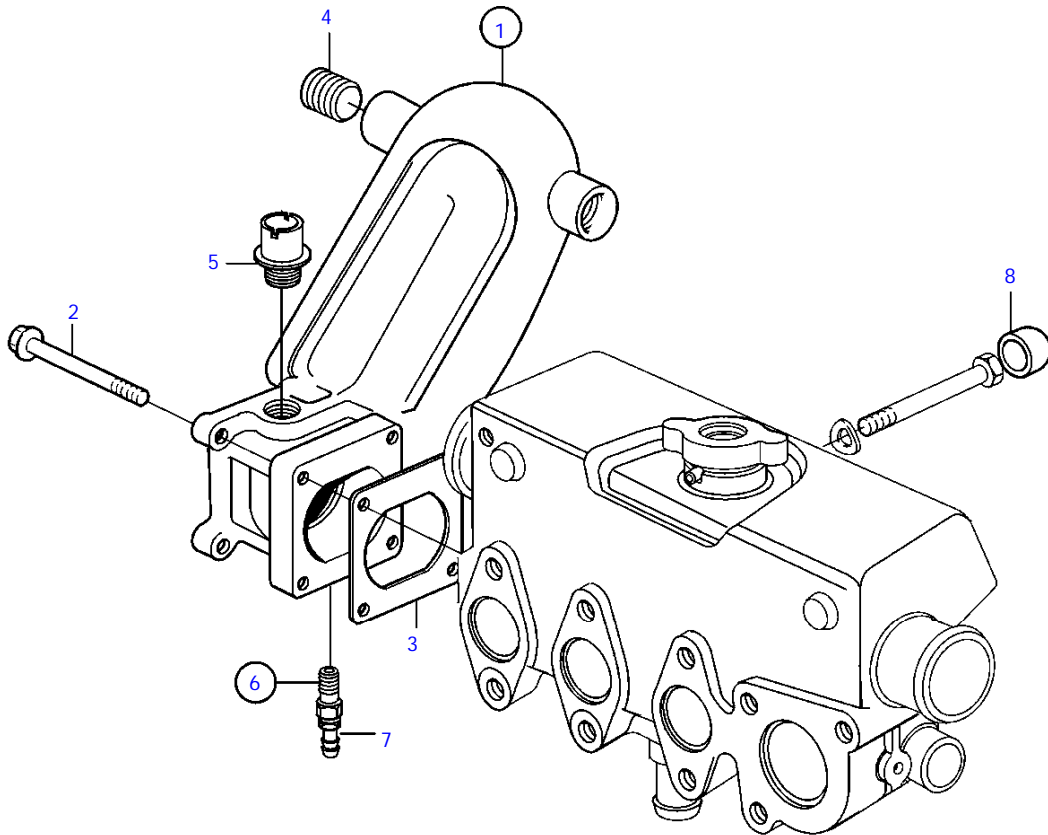
17638



MD2040C, MD2040D

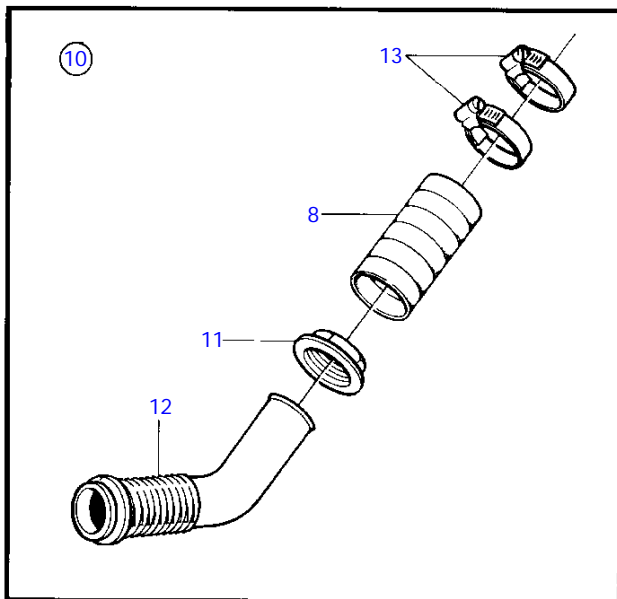
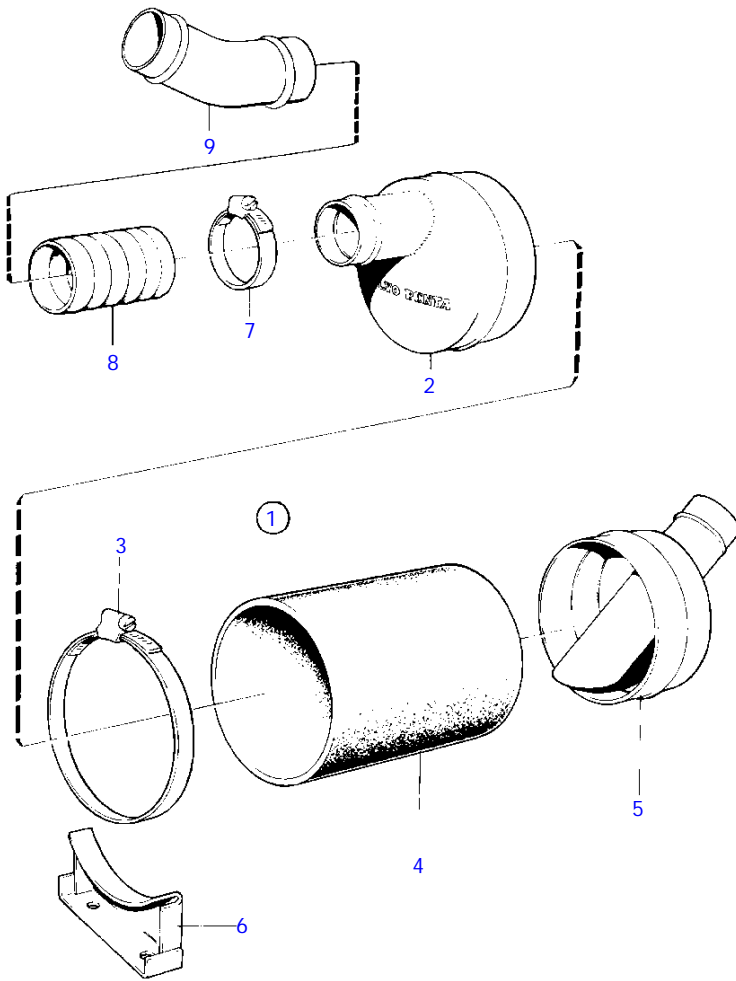
REF	PART NO.	QTY	DESCRIPTION	SEE SEC.	NOTES
1	3580503	1	Inlet pipe		
2	(3580504)	1	Hose connection		Obsolete part
3	3580505	1	Hose		
4	961662	2	Hose clamp		
5	3580507	1	Intake gasket		
6	1346183	6	Screw		
7	861913	6	Spring washer		
8	3580509	1	Filter		
9	3580510	1	Spring		
10	961672	1	Hose clamp		
11	3581927	1	Heat exchanger housi		
12	3580513	1	* Hose connection		
13	953042	4	Stud		
14	3581770	1	Filler cap		
14A		1	Lock	573	When separate expansion tank is being used., Alt
15	861906	1	Exhaust riser		
16	861907	1	Gasket		
17	948645	4	Flange lock nut		
18	3580512	1	Gasket		
19	(861869)	1	Lifting eye		Obsolete part
20	861870	1	Screw		
21	3580518	4	Screw		
22	861913	4	Spring washer		
23	3580519	2	Stud		
24	945407	2	Flange nut		
25	861917	2	Washer		
26	861918	2	Plug		
27	961665	1	Hose clamp		
28	3580528	1	Rubber hose		Heat exchanger-water pump.
29	976040	1	Hose nipple		Hot water outlet.
29A		1	Plug		Alt
30	961665	1	Hose clamp		
31	952969	X	Hose		

MD2020C, MD2020D, MD2030C, MD2030D, MD2040C, MD2040D



17648

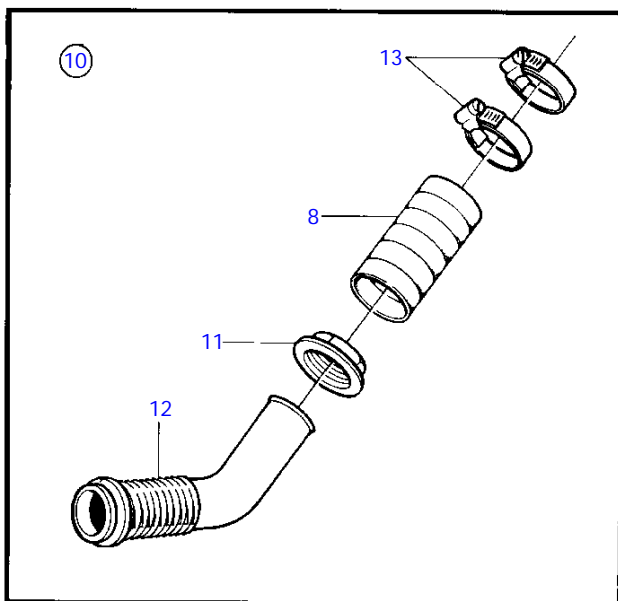
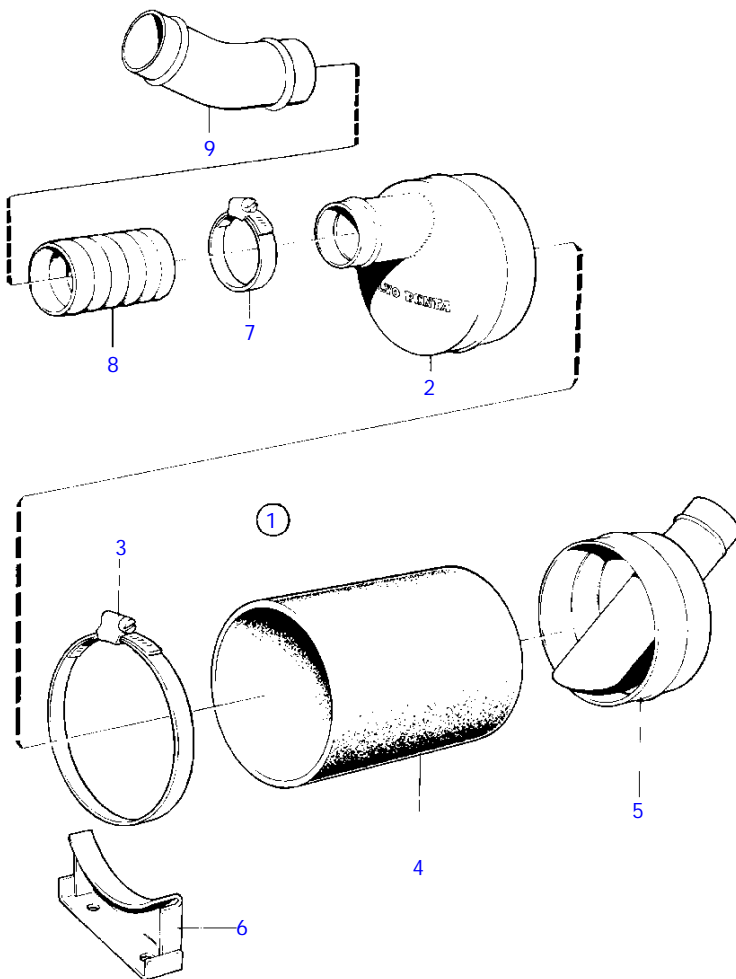
MD2010C, MD2010D, MD2020C, MD2020D, MD2030C, MD2030D, MD2040C, MD2040D



MD2010C, MD2010D, MD2020C, MD2020D, MD2030C, MD2030D, MD2040C, MD2040D

REF	PART NO.	QTY	DESCRIPTION	NOTES
1	828064	1	Muffler	
2	(828055)	1	* End plate	Obsolete part
3	961678	4	* Hose clamp	
4	828059	1	* Exhaust hose	
5	(828057)	1	* End plate	Obsolete part
6	828061	2	* Retainer	
7	961671	X	Hose clamp	
8	1140665	X	Exhaust hose	(828463)
9	828256	1	Riser	45°
10	833738	1	Hull fitting	45°
11	827877	1	* Nut	
12	828694	1	* Hull fitting	
13	961672	2	* Hose clamp	

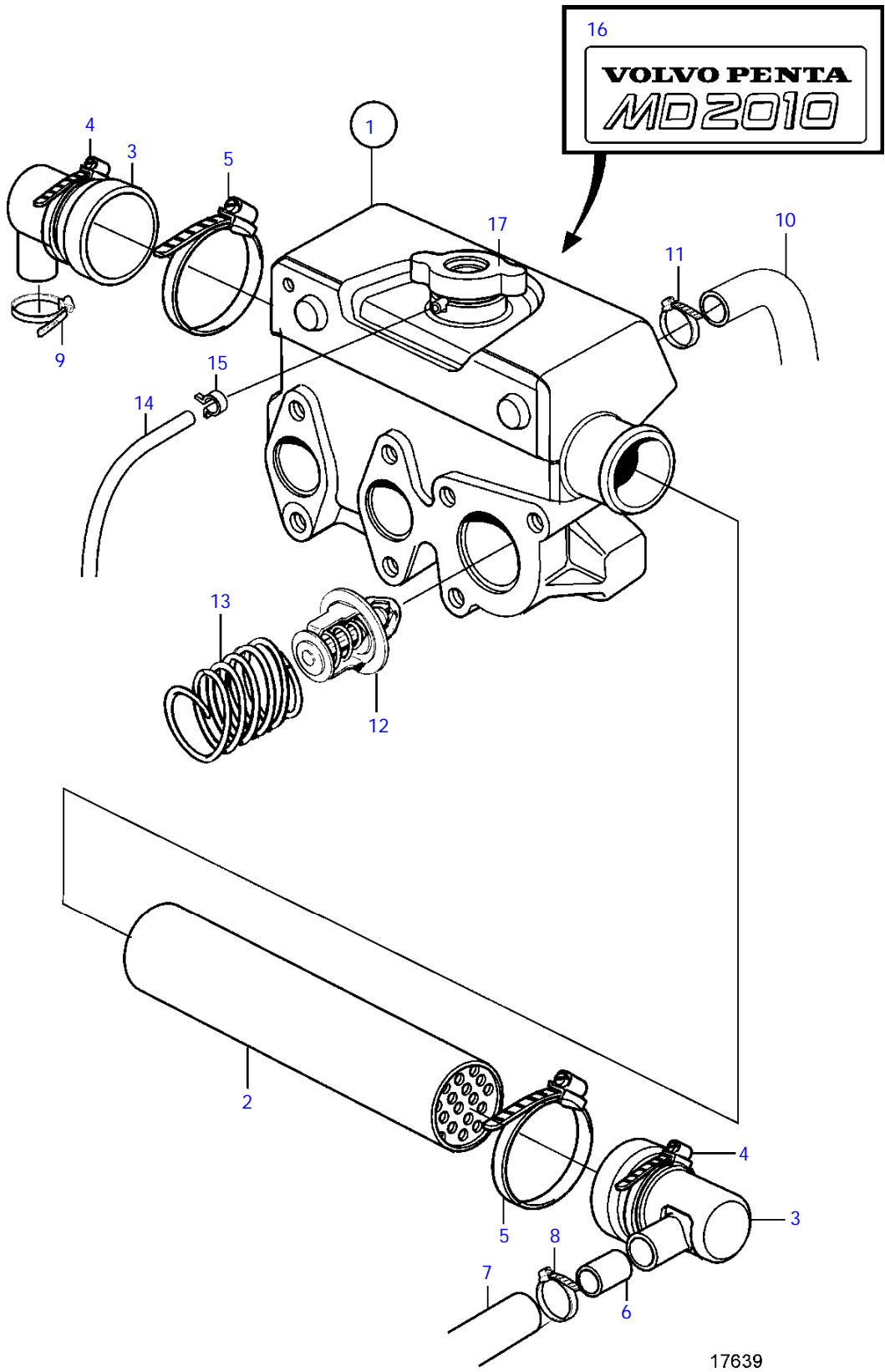
MD2010C, MD2010D, MD2020C, MD2020D, MD2030C, MD2030D, MD2040C, MD2040D



MD2010C, MD2010D, MD2020C, MD2020D, MD2030C, MD2030D, MD2040C, MD2040D

REF	PART NO.	QTY	DESCRIPTION	NOTES
1	828837	1	Muffler, straight	
2	(828055)	1	* End plate	Obsolete part
3	961678	4	* Hose clamp	
4	828059	1	* Exhaust hose	
5		1	* End plate	
6	828061	2	* Retainer	
7	961671	X	Hose clamp	
8	1140665	X	Exhaust hose	(828463)
9	828256	1	Riser	45°
10	833738	1	Hull fitting	45°
11	827877	1	* Nut	
12	828694	1	* Hull fitting	
13	961672	2	* Hose clamp	

MD2010C, MD2010D



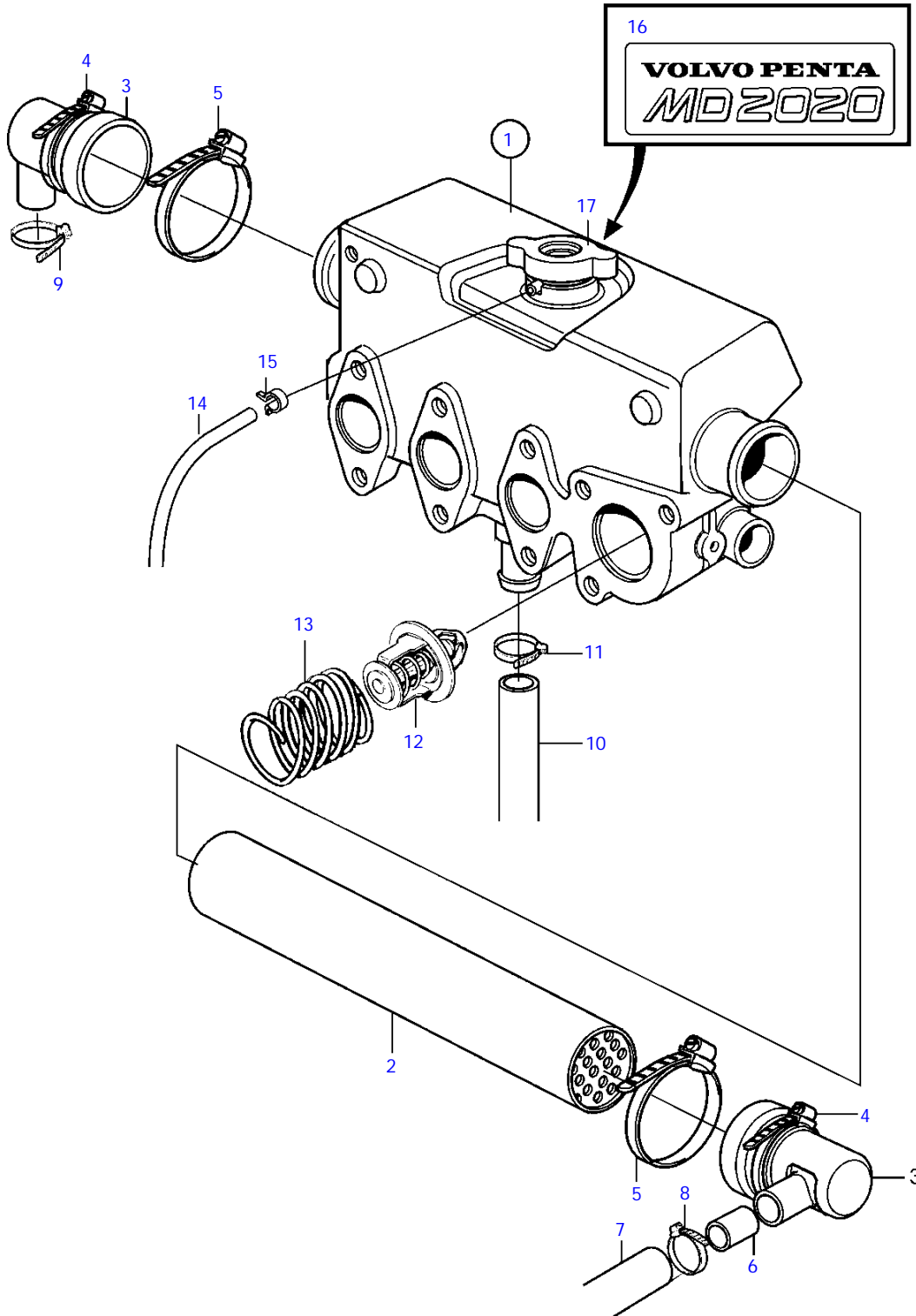
17639



MD2010C, MD2010D

REF	PART NO.	QTY	DESCRIPTION	NOTES
1	3581924	1	Heat exchanger housi	
			* parts not sold separately	
2	3581929	1	Heat exchanger	
3	861920	2	Cover	
4	961672	2	Hose clamp	
5	961673	2	Hose clamp	
6	3580328	1	Tube	
7	861926	1	Rubber hose	Sea water pump-heat exchanger.
8	961667	1	Hose clamp	
9	853548	1	Hose clamp	
10	861927	1	Rubber hose	Heat exchanger-water pump.
11	961667	1	Hose clamp	
12	861911	1	Thermostat	
13	861910	1	Spring	
14		1	Hose	
15	961662	1	Hose clamp	
16	861379	1	Decal	
17	3581770	1	Filler cap	

MD2020C, MD2020D

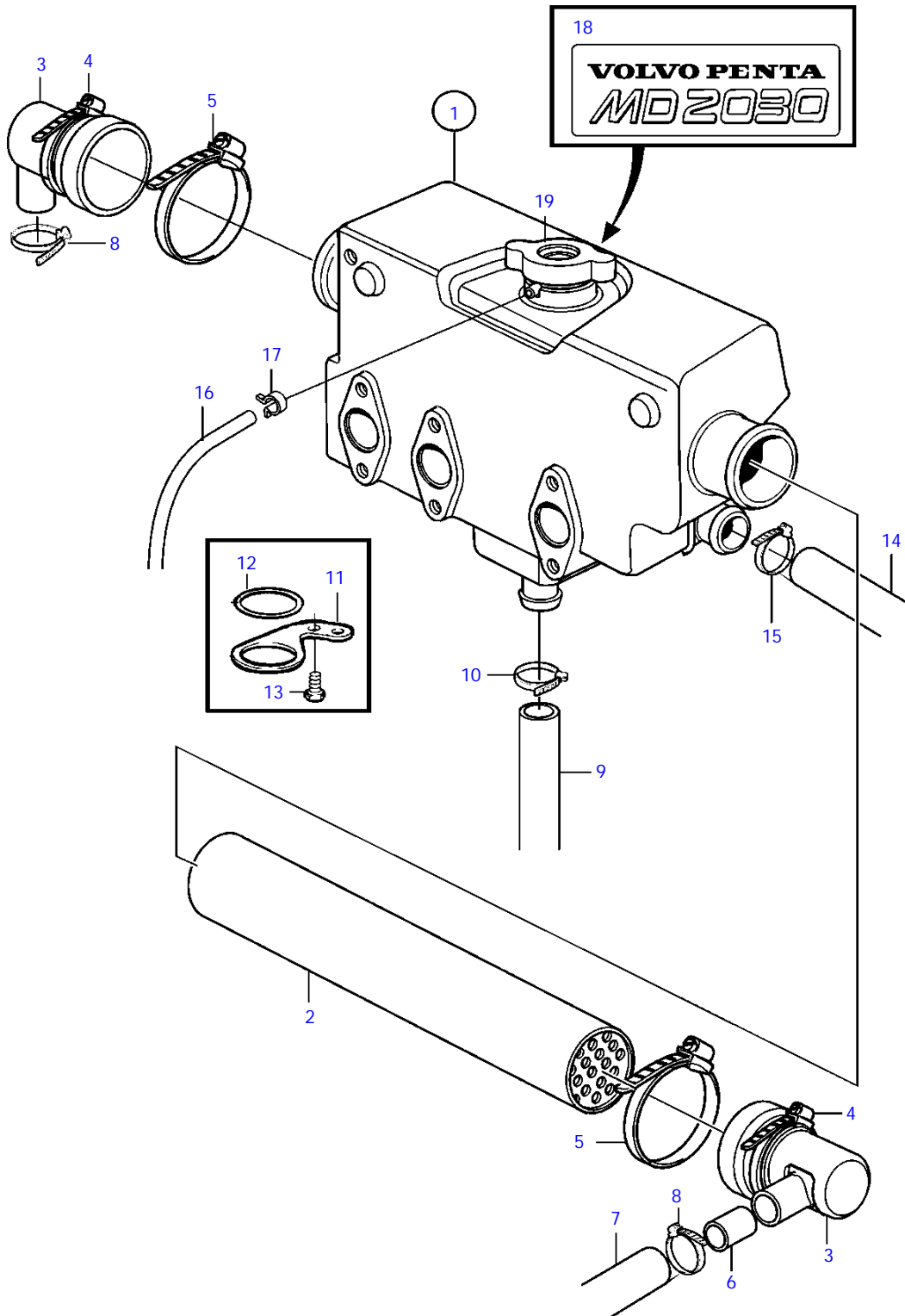


17642

MD2020C, MD2020D

REF	PART NO.	QTY	DESCRIPTION	NOTES
1	3581925	1	Heat exchanger housi	
			* parts not sold separately	
2	3580247	1	Heat exchanger	
3	861920	2	Cover	
4	961672	2	Hose clamp	
5	961673	2	Hose clamp	
6	3580328	1	Tube	
7	861926	1	Rubber hose	Sea water pump-heat exchanger.
8	961667	1	Hose clamp	
9	853548	1	Hose clamp	
10	3580248	1	Rubber hose	Heat exchanger-water pump.
11	853548	1	Hose clamp	
12	861911	1	Thermostat	
13	861910	1	Spring	
14		1	Hose	
15	961662	1	Hose clamp	
16	(861380)	1	Decal	Obsolete part
17	3581770	1	Filler cap	

MD2030C, MD2030D

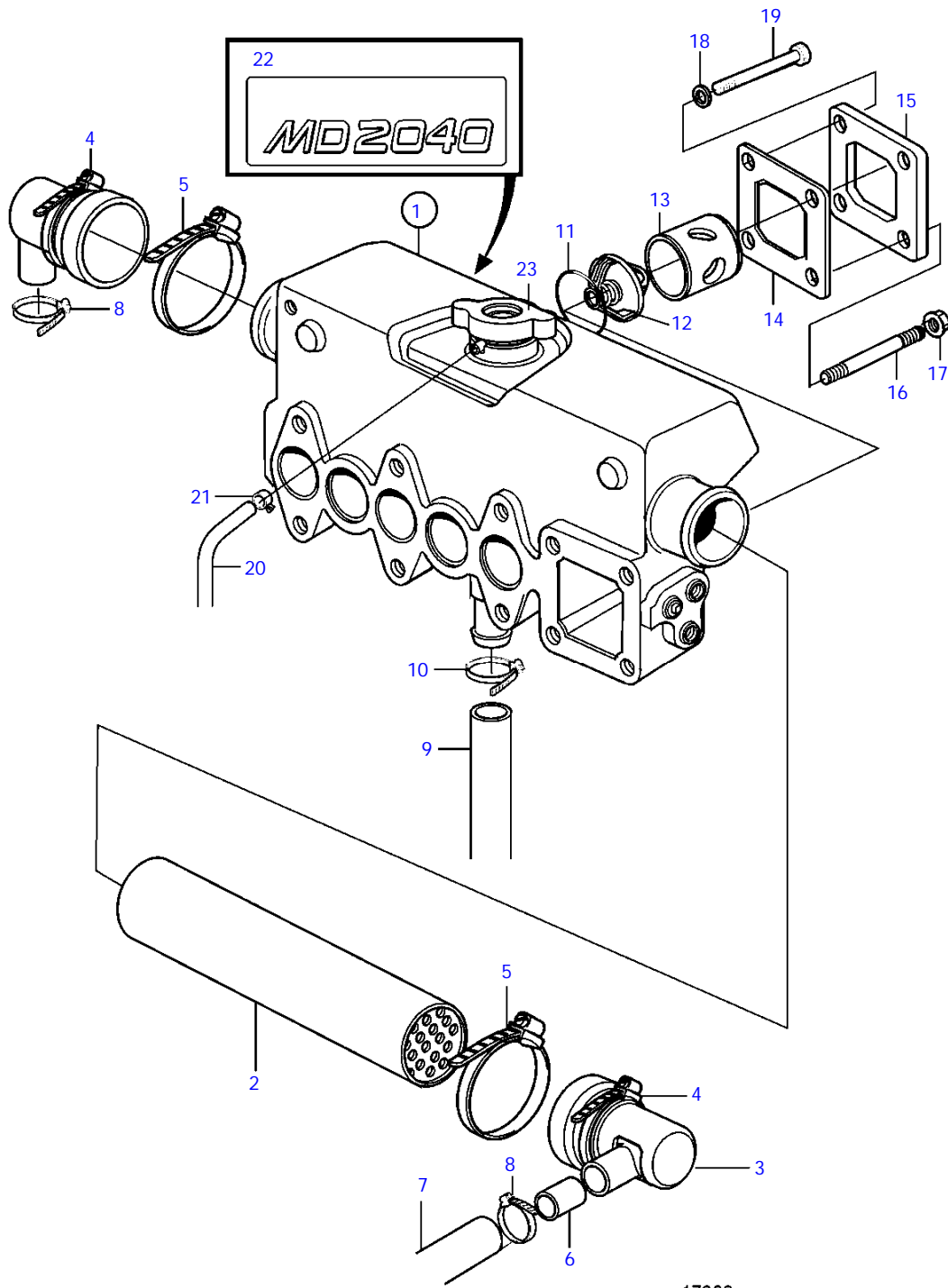


17643

MD2030C, MD2030D

REF	PART NO.	QTY	DESCRIPTION	NOTES
1	3581926	1	Heat exchanger housi	
			* parts not sold separately	
2	3581931	1	Heat exchanger	
3	861920	2	Cover	
4	961672	2	Hose clamp	
5	961673	2	Hose clamp	
6	3580328	1	Tube	
7	3580331	1	Rubber hose	Sea water pump-heat exchanger.
8	961667	1	Hose clamp	
9	3580330	1	Rubber hose	Heat exchanger-water pump.
10	853548	1	Hose clamp	
11		1	Stay	
12	3580251	1	Grommet	
13	947107	2	Flange screw	
14	3580329	1	Rubber hose	Heat exchanger-water pump.
15	853548	1	Hose clamp	
16		1	Hose	
17	961662	1	Hose clamp	
18	(861381)	1	Decal	Obsolete part
19	3581770	1	Filler cap	

MD2040C, MD2040D

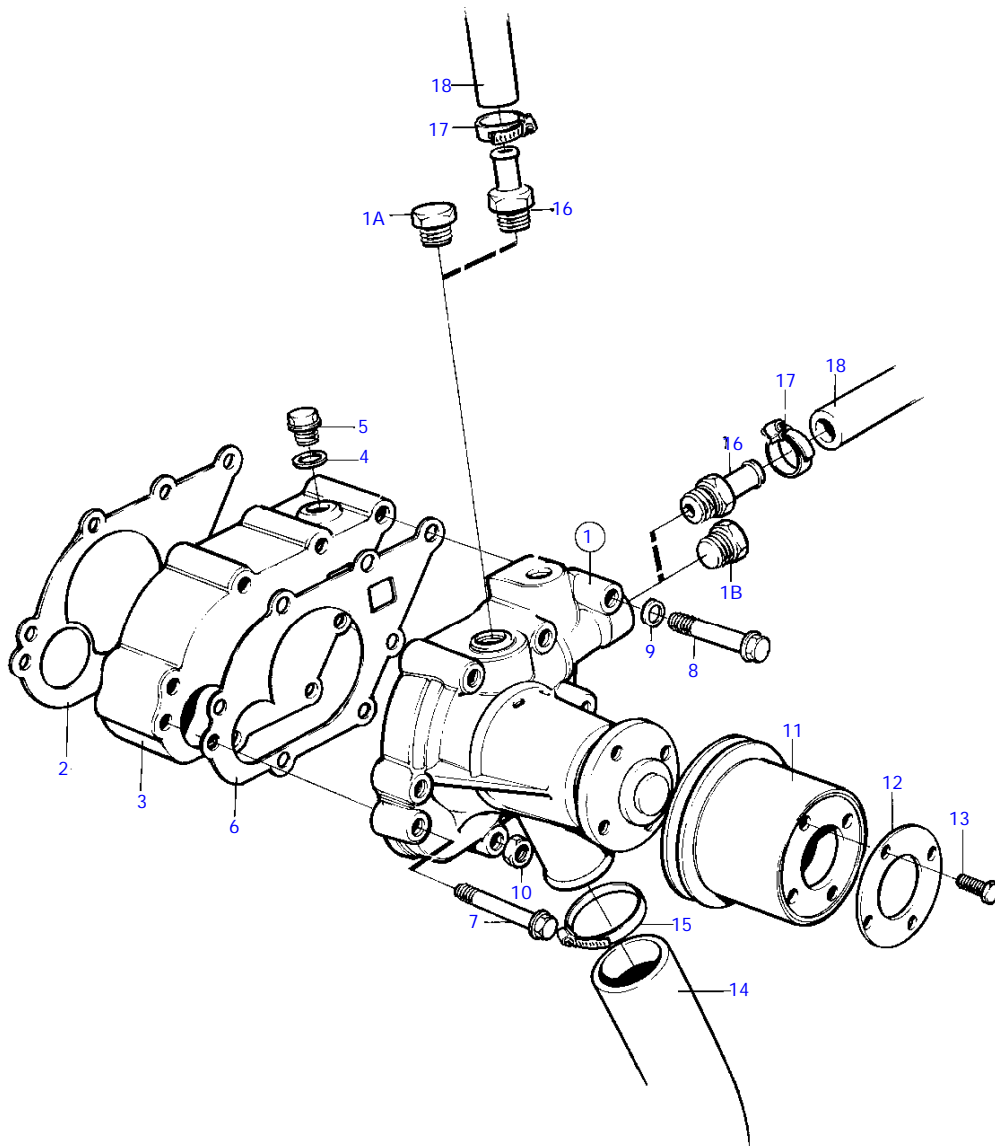


17680

MD2040C, MD2040D

REF	PART NO.	QTY	DESCRIPTION	NOTES
1		1	Heat exchanger	
	3581927	1	* Heat exchanger housi	
	3581770	1	* Filler cap	
2	3581932	1	* Heat exchanger	
3	3580522	2	* Cover	
4	872531	2	* Hose clamp	
5	853012	2	* Hose clamp	
6	3580328	1	Tube	
7	3580526	1	Rubber hose	Sea water pump-heat exchanger.
8	961667	2	Hose clamp	
9	3580527	1	Rubber hose	Circulation pump-heat exchanger.
10	961667	2	Hose clamp	
11	3580514	1	Sealing ring	
12	3580365	1	Thermostat	
13	3580515	1	Spacer sleeve	
14	3583780	1	Gasket	(3580516)
15	3580517	1	Cardboard tube	
16	3580520	2	Stud	
17	945407	2	Flange nut	
18	861913	2	Spring washer	
19	3580518	2	Screw	
20	3580529	1	Tube	
21	961662	1	Hose clamp	
22	(861382)	1	Decal	Obsolete part
23	3581770	1	Filler cap	

MD2010C, MD2010D

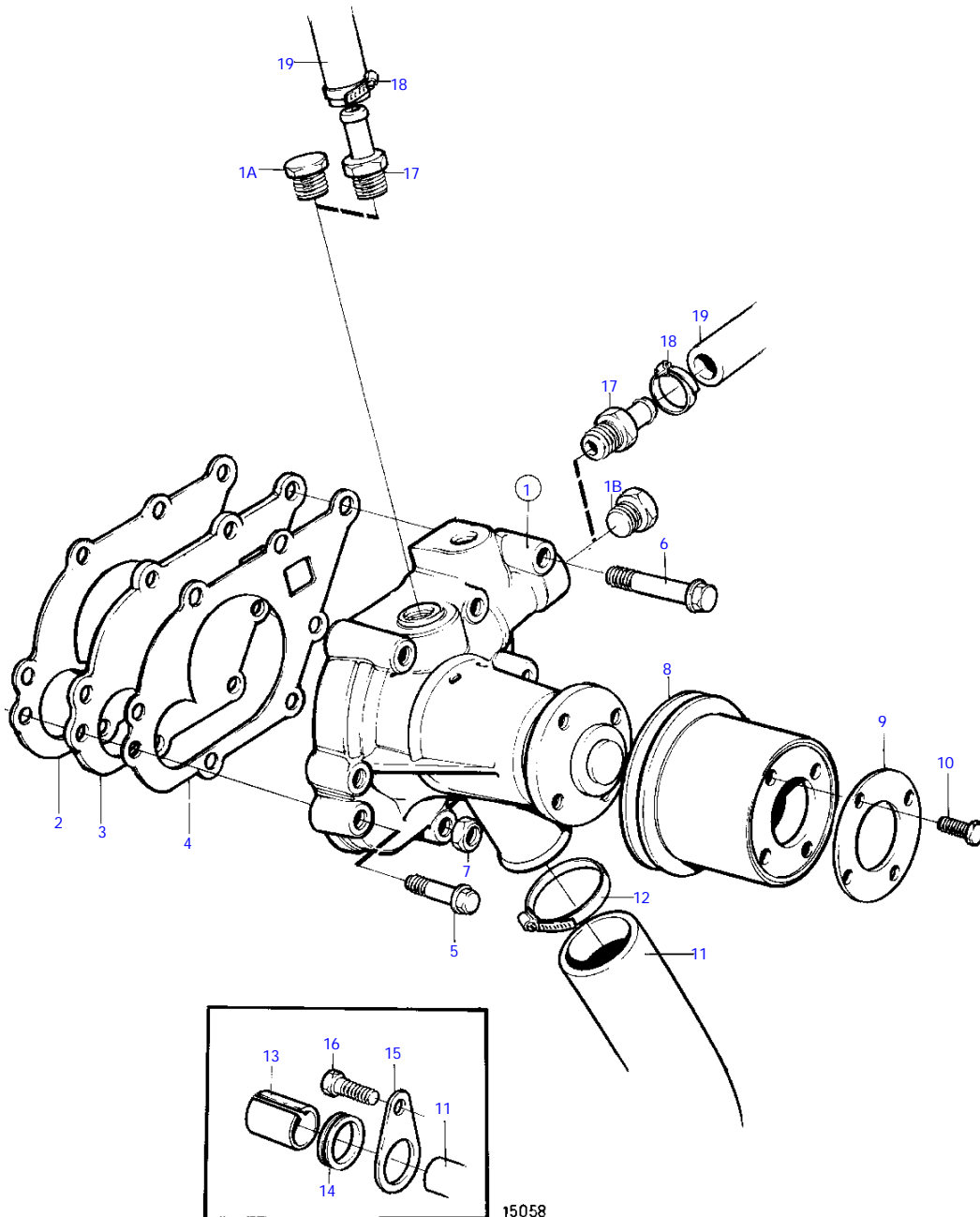


15057

MD2010C, MD2010D

REF	PART NO.	QTY	DESCRIPTION	NOTES
1	861990	1	Water pump	
1A		1	• Plug	
1B		1	• Plug	
2	3580001	1	Gasket	
3	3580002	1	Spacer	
4	861917	1	Washer	
5	861918	1	Plug	
6	3580003	1	Gasket	
7	861899	3	Screw	
8	20405647	4	Hexagon screw	
9	861913	4	Spring washer	
10	945407	1	Flange nut	
11	3580011	1	Pulley	
12	3580012	1	Flange	
13	3580013	4	Screw	
14	861928	1	Rubber hose	Heat exchanger-water pump.
15	961667	1	Hose clamp	
16	976040	2	Hose nipple	Hot water outlet.
17	961665	2	Hose clamp	
18	952969	X	Hose	

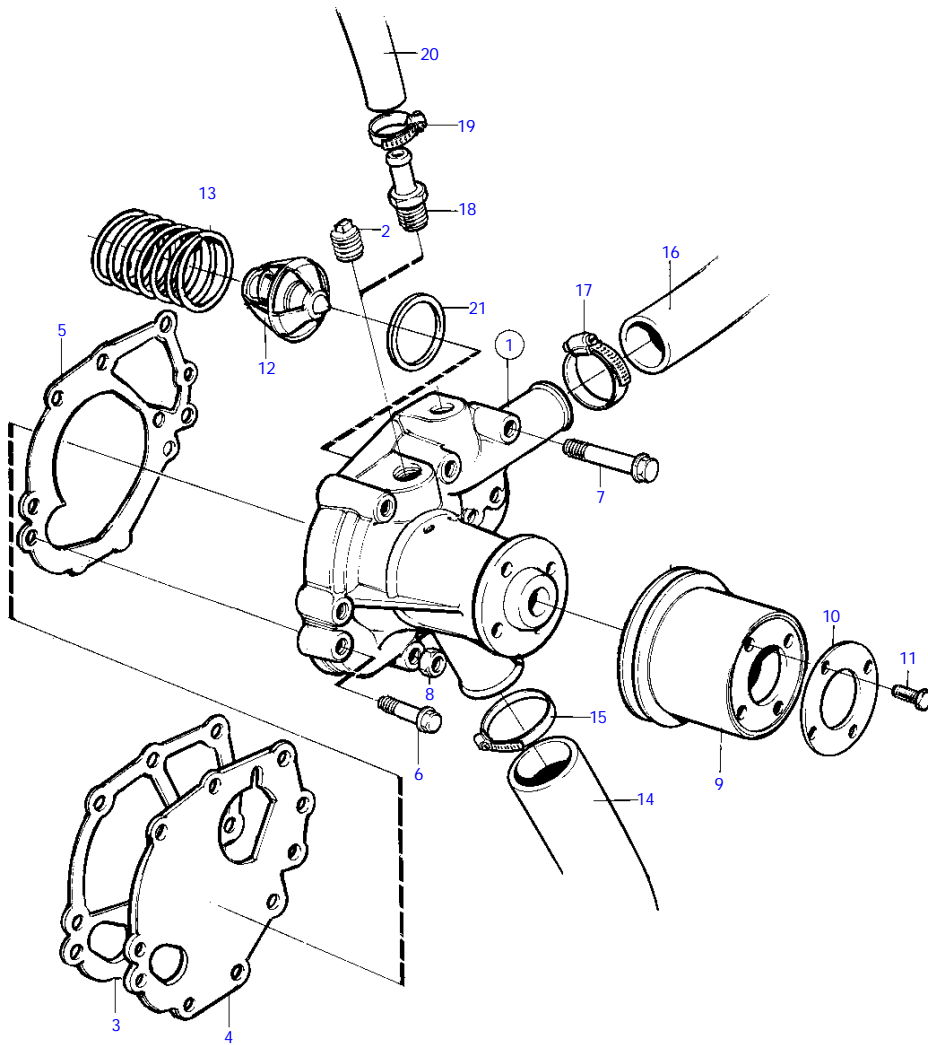
MD2020C, MD2020D



MD2020C, MD2020D

REF	PART NO.	QTY	DESCRIPTION	NOTES
1	861990	1	Water pump	
1A		1	• Plug	
1B		1	• Plug	
2	3580001	1	Gasket	
3	3580257	1	Plate	
4	3580001	1	Gasket	
5	3580258	3	Screw	
6	3580243	4	Screw	
7	945407	1	Flange nut	
8	3580011	1	Pulley	
9	3580012	1	Flange	
10	3580013	4	Screw	
11	3580248	1	Rubber hose	Heat exchanger-water pump.
12	853548	1	Hose clamp	
13		1	Protecting hose	
14	3580251	1	Grommet	
15	3580250	1	Stay	
16	947107	1	Flange screw	
17	976040	2	Hose nipple	Hot water outlet.
18	961665	2	Hose clamp	
19	952969	X	Hose	

MD2030C, MD2030D

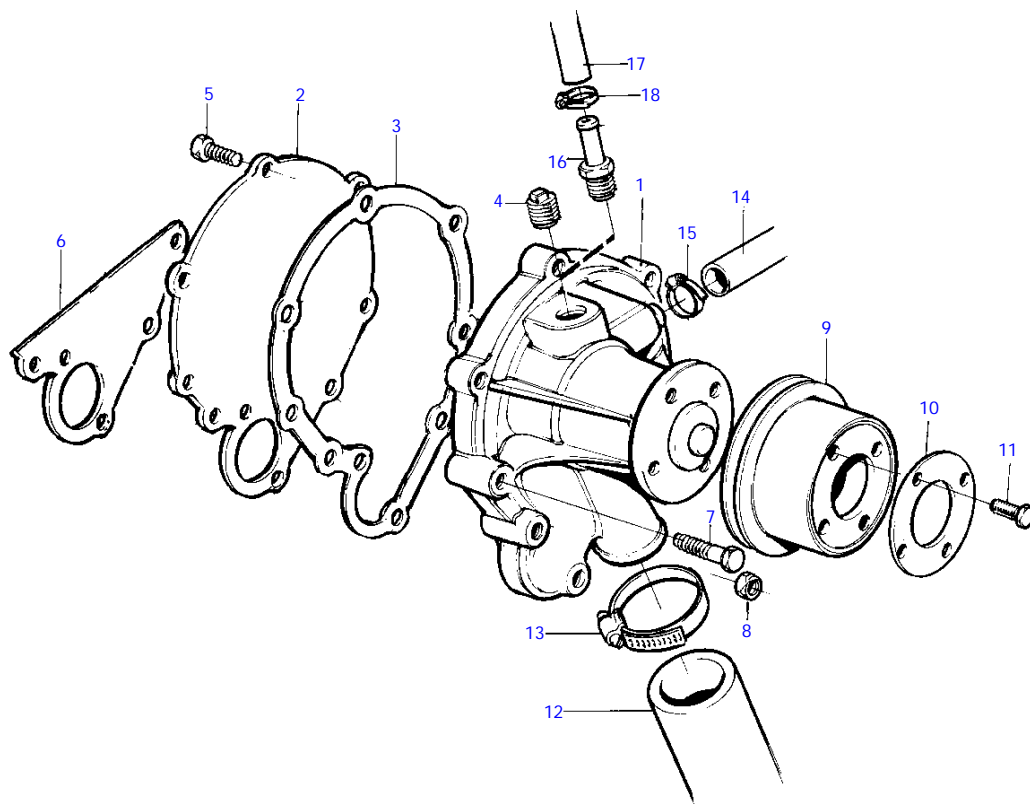


16149

MD2030C, MD2030D

REF	PART NO.	QTY	DESCRIPTION	NOTES
1	3580363	1	Water pump	
2	968145	3	• Plug	3/8NPTF
3	3580367	1	Gasket	
4	3580368	1	Plate	
5	3580369	1	Gasket	
6	3580258	4	Screw	
7	965178	1	Flange screw	
8	945407	1	Flange nut	
9	3580011	1	Pulley	
10	3580012	1	Flange	
11	3580013	4	Screw	
12	3580365	1	Thermostat	
13	3580366	1	Spring	
14	3580330	1	Rubber hose	Heat exchanger-water pump.
15	853548	1	Hose clamp	
16	3580329	1	Rubber hose	Heat exchanger-water pump.
17	853548	1	Hose clamp	
18	976040	1	Hose nipple	Hot water outlet.
19	961665	1	Hose clamp	
20	952969	X	Hose	
21	3580453	1	Gasket	

MD2040C

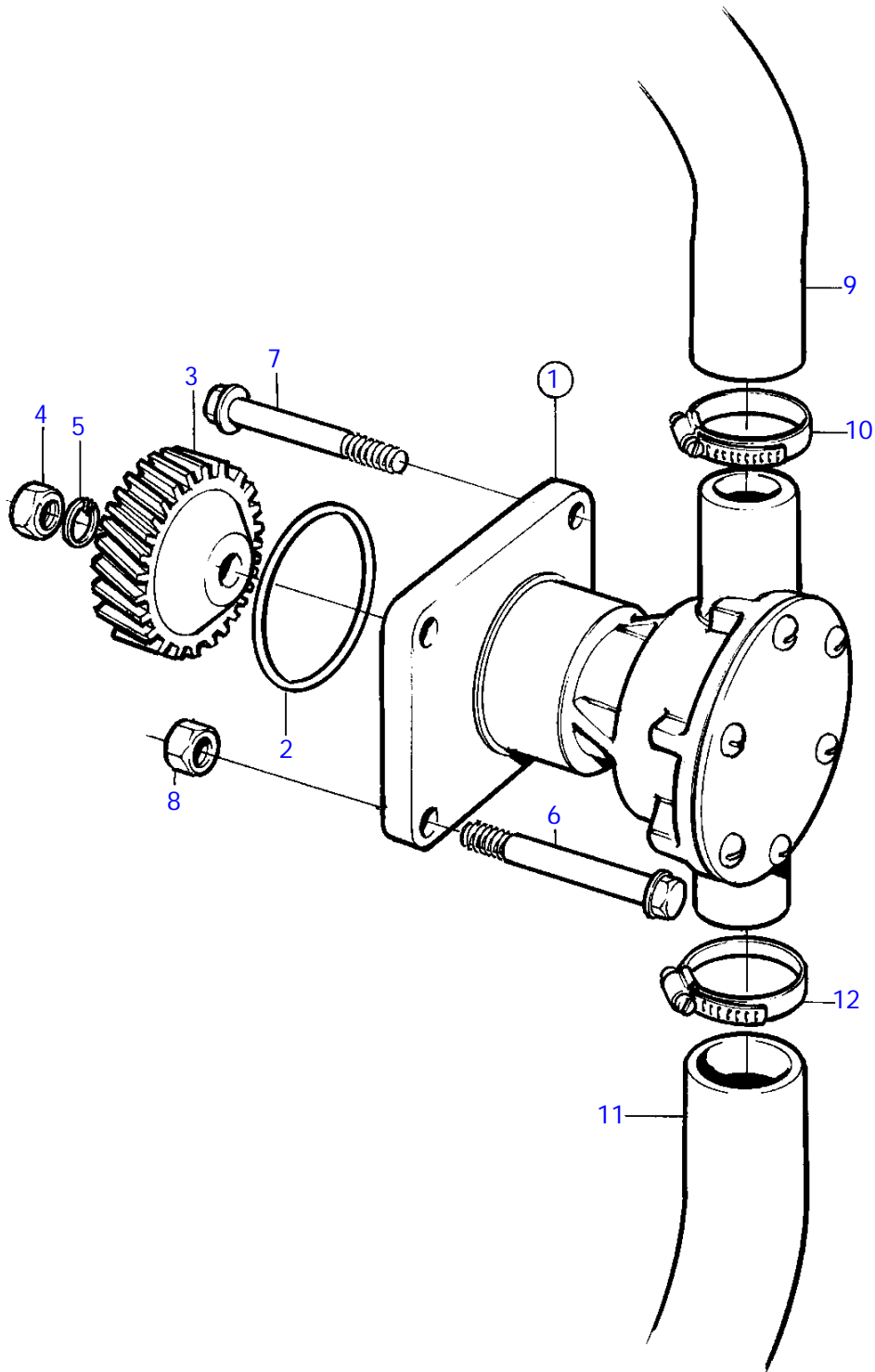


15060

MD2040C

REF	PART NO.	QTY	DESCRIPTION	NOTES
1	3580574	1	Water pump	
2	3580575	1	* Plate	
3	3580576	1	* Plate	
4	968145	1	* Plug	3/8NPTF
5	3580577	3	* Screw	
6	3583754	1	Gasket	(3580578)
7	3580258	4	Screw	
8	945407	1	Flange nut	
9	3580579	1	Pulley	
10	3580580	1	Flange	
11	3580581	4	Screw	
12	3580527	1	Rubber hose	Heat exchanger-water pump.
13	961670	1	Hose clamp	
14	3580528	1	Rubber hose	Heat exchanger-water pump.
15	961665	1	Hose clamp	
16	976040	1	Hose nipple	Hot water outlet.
17	952969	X	Hose	Hot water outlet.
18	961665	1	Hose clamp	Hot water outlet.

MD2010C, MD2010D, MD2020C, MD2020D

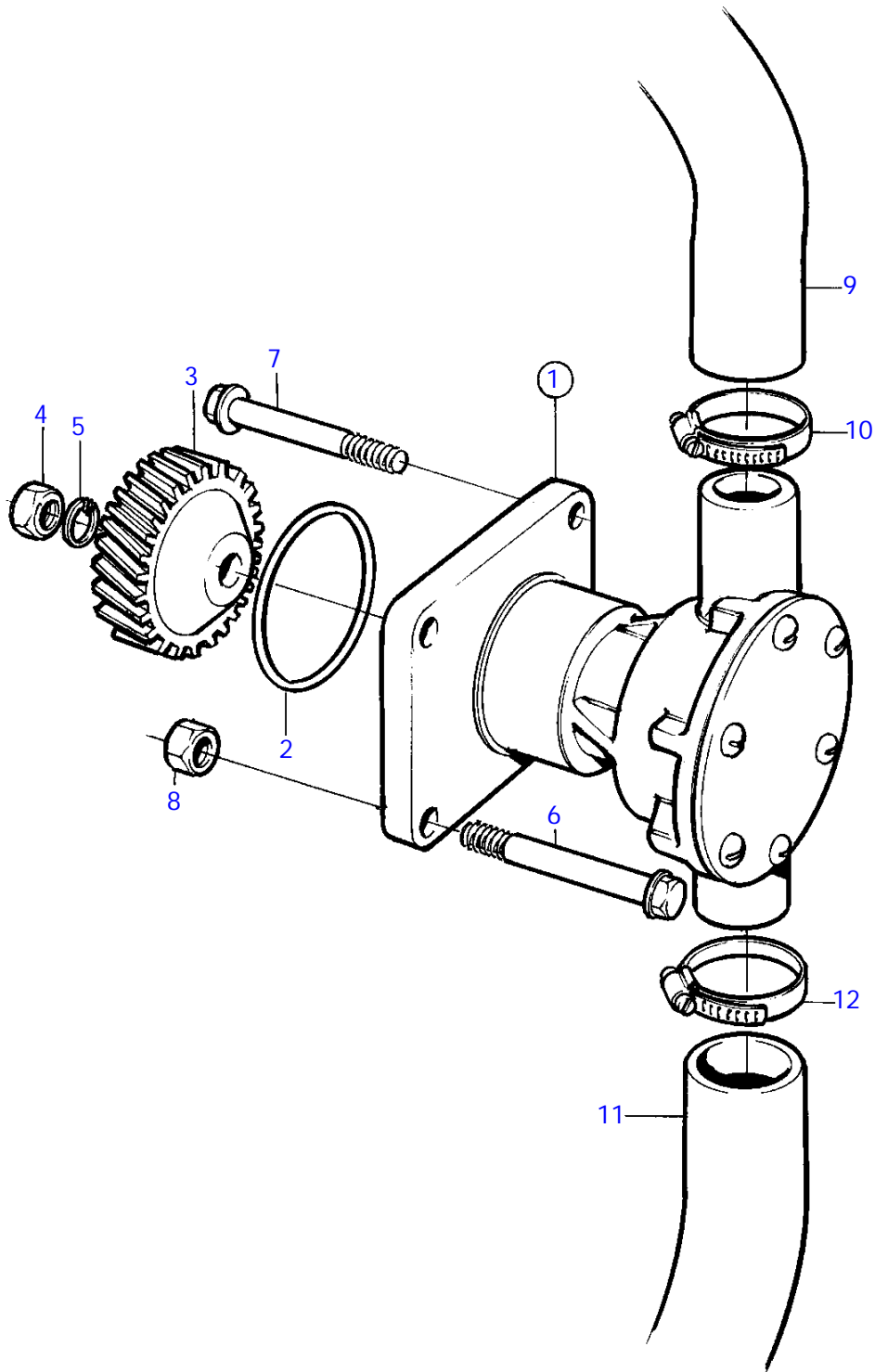


16172

MD2010C, MD2010D, MD2020C, MD2020D

REF	PART NO.	QTY	DESCRIPTION	SEE SEC.	NOTES
1	3593654	1	Sea water pump		(3580064)
			* Bulletin 43-19A	43-19A-EN	New Sea Water Pumps
1			*		
			*	4153	
			*		
			*	9344	
			*		
			*	9344	
2	3580063	1	O-ring		
3	3580062	1	Gear		
4	955782	1	Hexagon nut		
6	965180	2	Flange screw		
7	965216	2	Flange screw		(3580052)
8	948645	2	Flange lock nut		
9	861926	1	Rubber hose		Sea water pump-heat exchanger.
10	961667	1	Hose clamp		
11	943369	X	Rubber hose		Intake-sea water pump., L=1000mm
12	961666	2	Hose clamp		

MD2030C, MD2030D

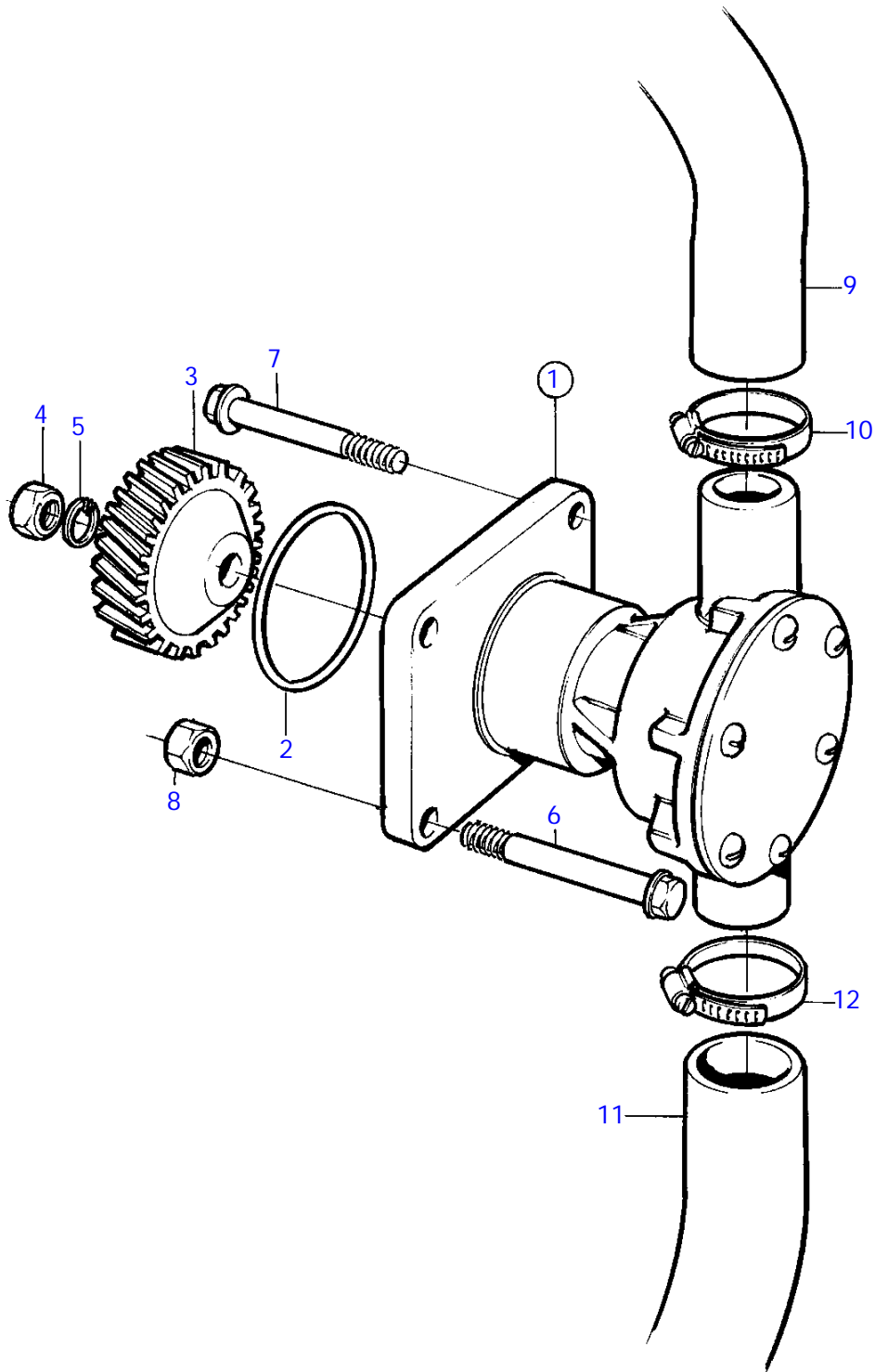


16172

MD2030C, MD2030D

REF	PART NO.	QTY	DESCRIPTION	SEE SEC.	NOTES
1				4153	
	3593655	1	Sea water pump		(3580222)
			Bulletin 43-19A	43-19A-EN	New Sea Water Pumps
1				9344	
				9344	
2	3580380	1	O-ring		
3	3580379	1	Gear		
4	971071	1	Hexagon nut		
5	3580015	1	Spring washer		
6	965180	4	Flange screw		
9	3580331	1	Rubber hose		Sea water pump-heat exchanger.
10	961667	1	Hose clamp		
11	943369	X	Rubber hose		Intake-sea water pump., L=1000mm
12	961666	2	Hose clamp		

MD2040C, MD2040D

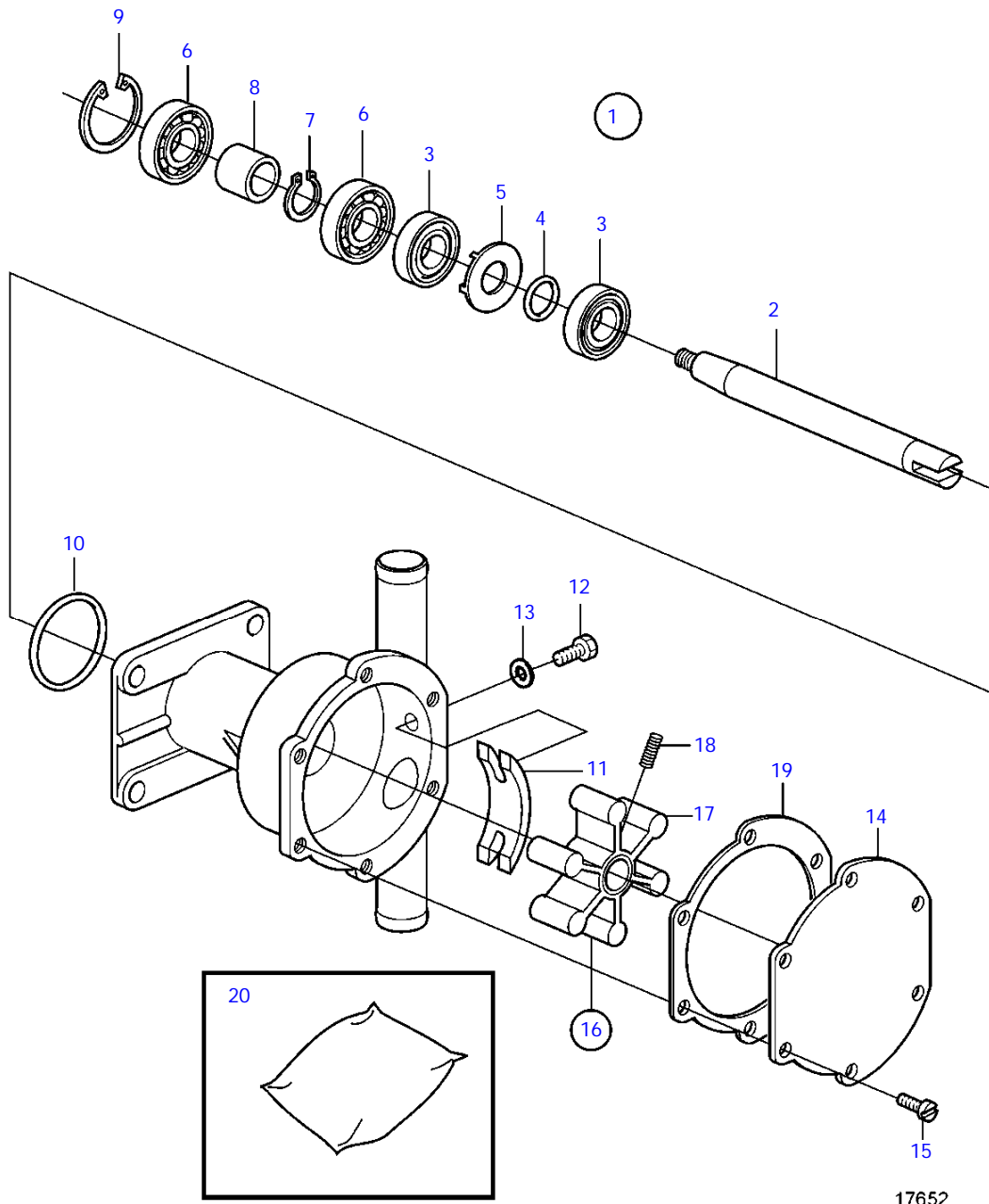


16172

MD2040C, MD2040D

REF	PART NO.	QTY	DESCRIPTION	SEE SEC.	NOTES
1				4153	
	3593655	1	Sea water pump	9344	(3580223)
			Bulletin 43-19A	43-19A-EN 9344	New Sea Water Pumps
1					
2	3580380	1	O-ring		
3	3580379	1	Gear		
4	971071	1	Hexagon nut		
5	3580015	1	Spring washer		
6	965180	4	Flange screw		
9	3580526	1	Rubber hose		Sea water pump-heat exchanger.
10	961667	1	Hose clamp		
11	943369	X	Rubber hose		Intake-sea water pump., L=1150mm
12	961666	2	Hose clamp		

MD2010C, MD2010D, MD2020C, MD2020D

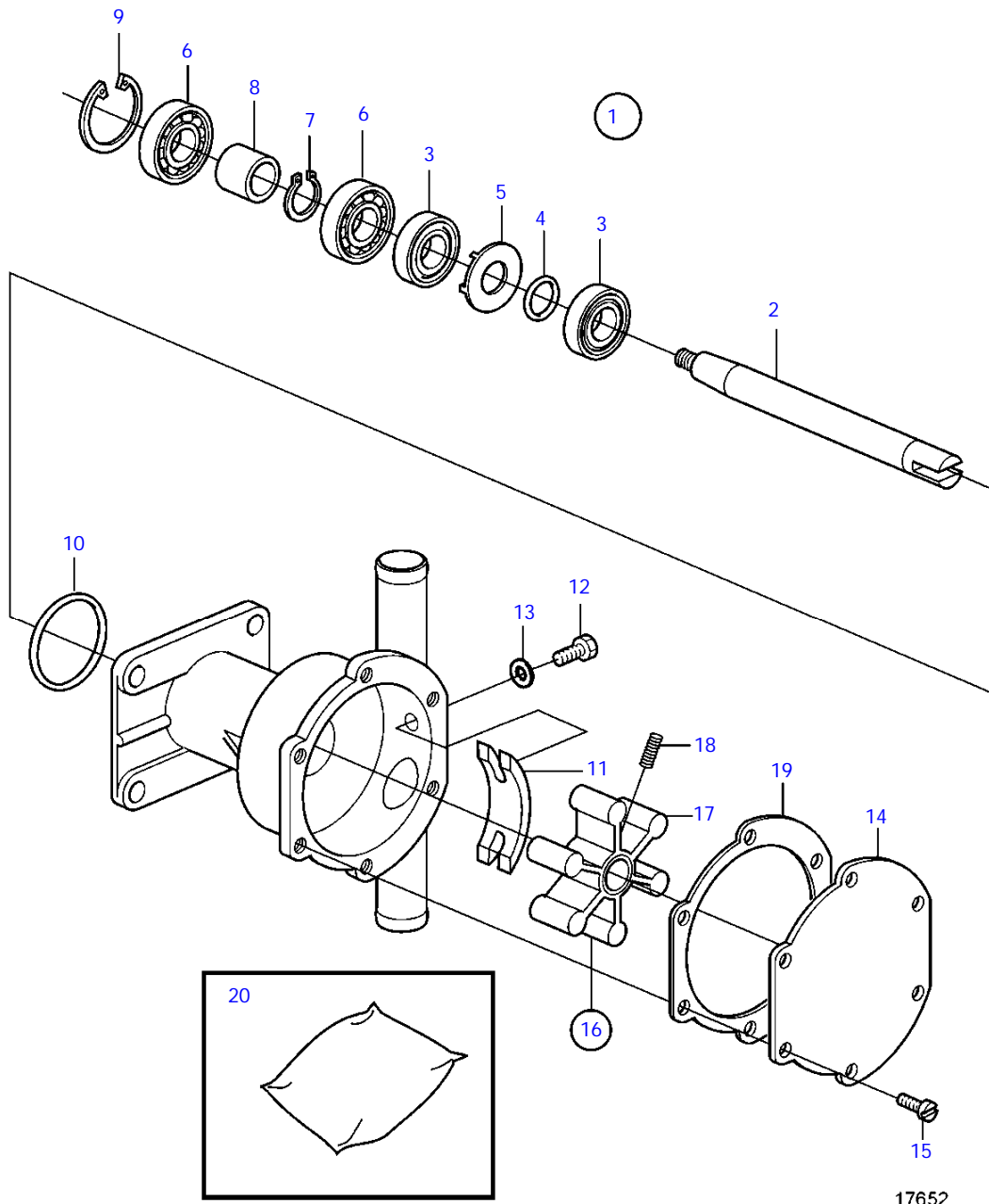


17652

MD2010C, MD2010D, MD2020C, MD2020D

REF	PART NO.	QTY	DESCRIPTION	SEE SEC.	NOTES
1	3593654		Sea water pump		
			* Bulletin 43-19A	43-19A-EN	New Sea Water Pumps
1	876699	1	Repair kit		
2		1	* Shaft		
3	833996	2	* Sealing ring		
4	925055	1	* O-ring		
5	859101	1	* Spacer washer		
6	181717	2	* Ball bearing		
7	914446	1	* Snap ring		
8	3581367	1	* Spacer sleeve		
9	914515	1	* Snap ring		
10	3580063	1	* O-ring		
11	3581369	1	* Cam		
12	804693	1	* Screw		
13	18669	1	* Gasket		
14	840386	1	* Cardboard tube		
15	840384	6	* Screw		
16	3593659	1	Impeller kit		
17		1	* Impeller		
18	804697	1	* Screw		
19	840385	1	* Gasket		
20	3862178	1	* Grease		

MD2030C, MD2030D, MD2040C, MD2040D

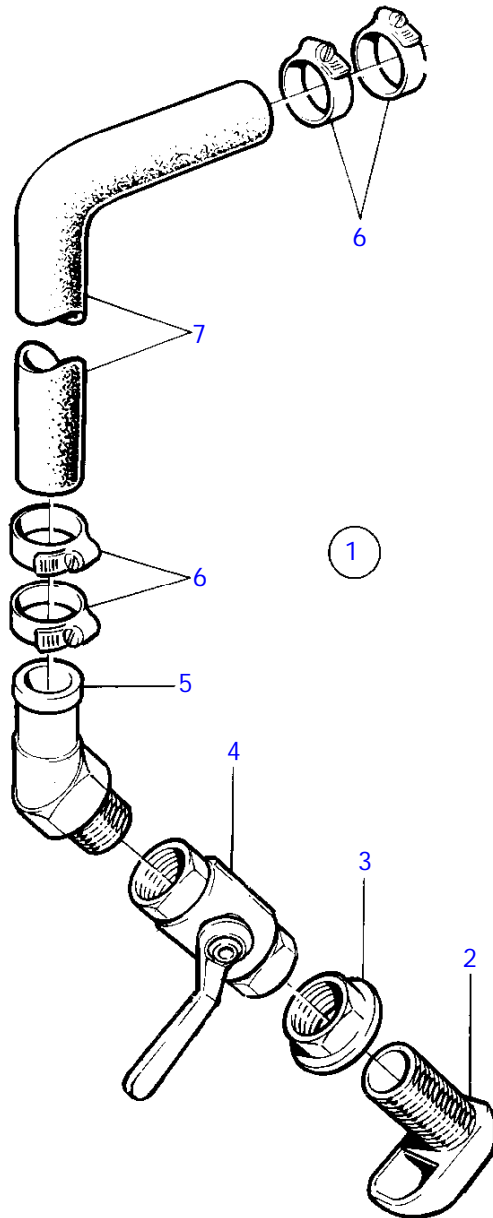


17652

MD2030C, MD2030D, MD2040C, MD2040D

REF	PART NO.	QTY	DESCRIPTION	SEE SEC.	NOTES
1	3593655	1	Sea water pump		
			* Bulletin 43-19A	43-19A-EN	New Sea Water Pumps
1	876700	1	Repair kit		
2		1	* Shaft		
3	833996	2	* Sealing ring		
4	925055	1	* O-ring		
5	859101	1	* Spacer washer		
6	181717	2	* Ball bearing		
7	914446	1	* Snap ring		
8	3581367	1	* Spacer sleeve		
9	914515	1	* Snap ring		
10	3580380	1	* O-ring		
11	827009	1	* Cam		
12	804693	1	* Screw		
13	18669	1	* Gasket		
14	840386	1	* Cardboard tube		
15	840384	6	* Screw		
16	3593659	1	Impeller kit		
17		1	* Impeller		
18	804697	1	* Screw		
19	819959	1	* Gasket		
20	3862178	1	* Grease		

MD2010C, MD2010D, MD2020C, MD2020D, MD2030C, MD2030D

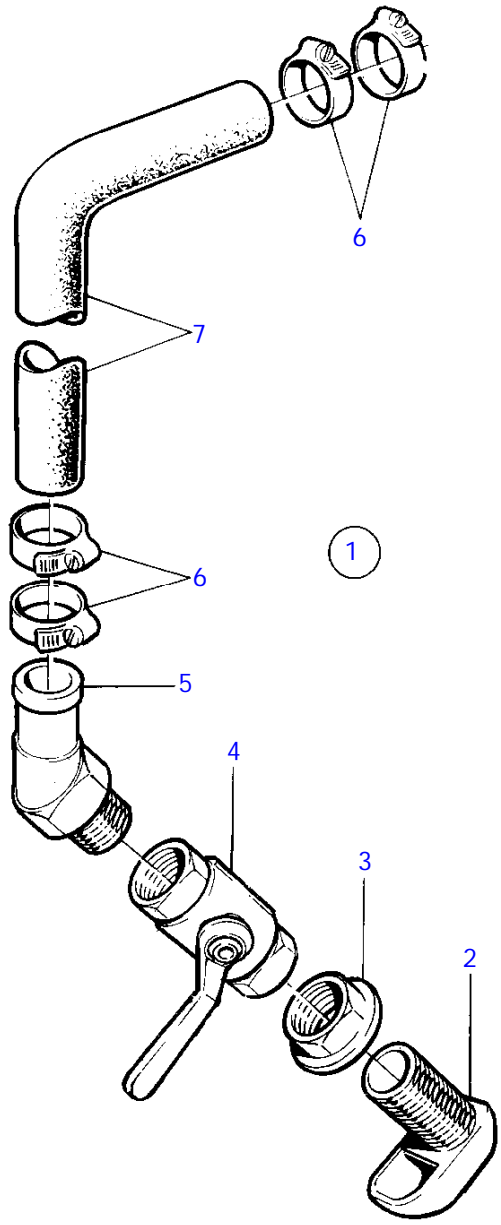


9574

MD2010C, MD2010D, MD2020C, MD2020D, MD2030C, MD2030D

REF	PART NO.	QTY	DESCRIPTION	NOTES
1	861495	1	Coolant pipe	19-1/2"
2	836874	1	• Strainer	
3	807595	1	• Nut	
4	1140097	1	• Ball valve	D=15mm
5	861465	1	• Hose attachment	60°
6	961667	2	• Hose clamp	
7	952969	X	Hose	

MD2040C, MD2040D

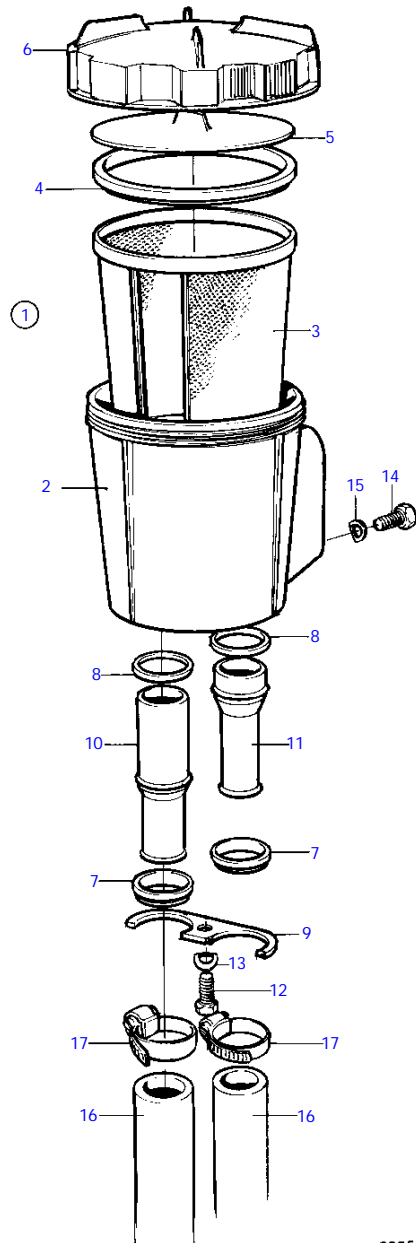


9574

MD2040C, MD2040D

REF	PART NO.	QTY	DESCRIPTION	NOTES
1	861496	1	Coolant pipe	19mm / 0.77"
2	836876	1	• Strainer	
3	836879	1	• Nut	
4	1140125	1	• Ball valve	D=25mm
5	861466	1	• Hose attachment	45°
6	961667	2	• Hose clamp	
7	952970	X	Hose	

MD2010C, MD2010D, MD2020C, MD2020D, MD2030C, MD2030D, MD2040C, MD2040D

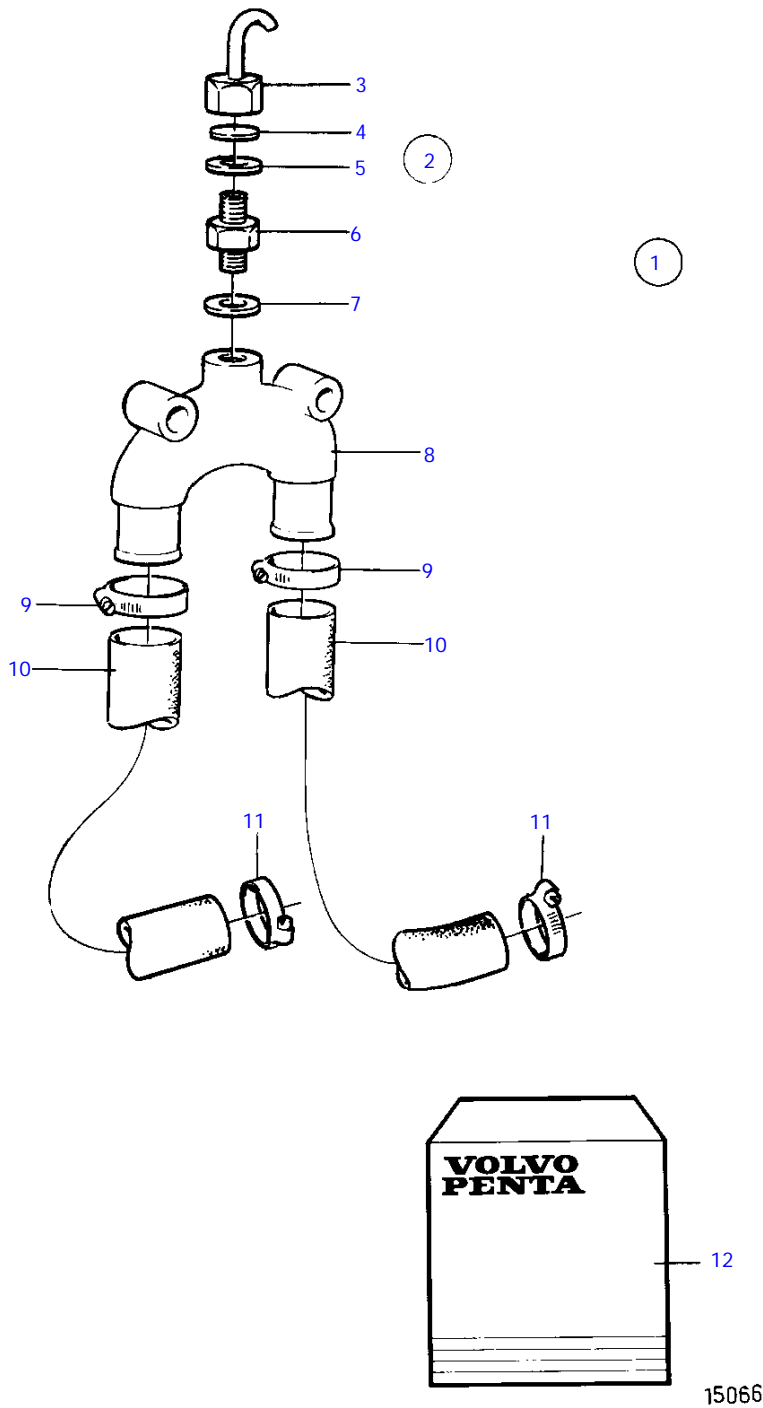


15065

MD2010C, MD2010D, MD2020C, MD2020D, MD2030C, MD2030D, MD2040C, MD2040D

REF	PART NO.	QTY	DESCRIPTION	NOTES
1	21219693	1	Sea water filter	
2	842924	1	* Strainer	
3	842723	1	* * Strainer	
4	842724	1	* * Sealing	
5	842982	1	* * Pressure plate	
6	842722	1	* * Cover	
7	847108	2	* Pipe retainer	
8	858986	2	* Sealing ring	
9	21211745	1	* Retainer	
10	3888859	1	* Connection pipe	Inlet
11	3888862	1	* Connection pipe	Outlet
12	955270	1	* Hexagon screw	
13	941906	1	* Spring washer	
14	965215	4	* Flange screw	(955296)
15	941907	4	* Spring washer	
16	952970	X	Hose	
17	961666	X	Hose clamp	

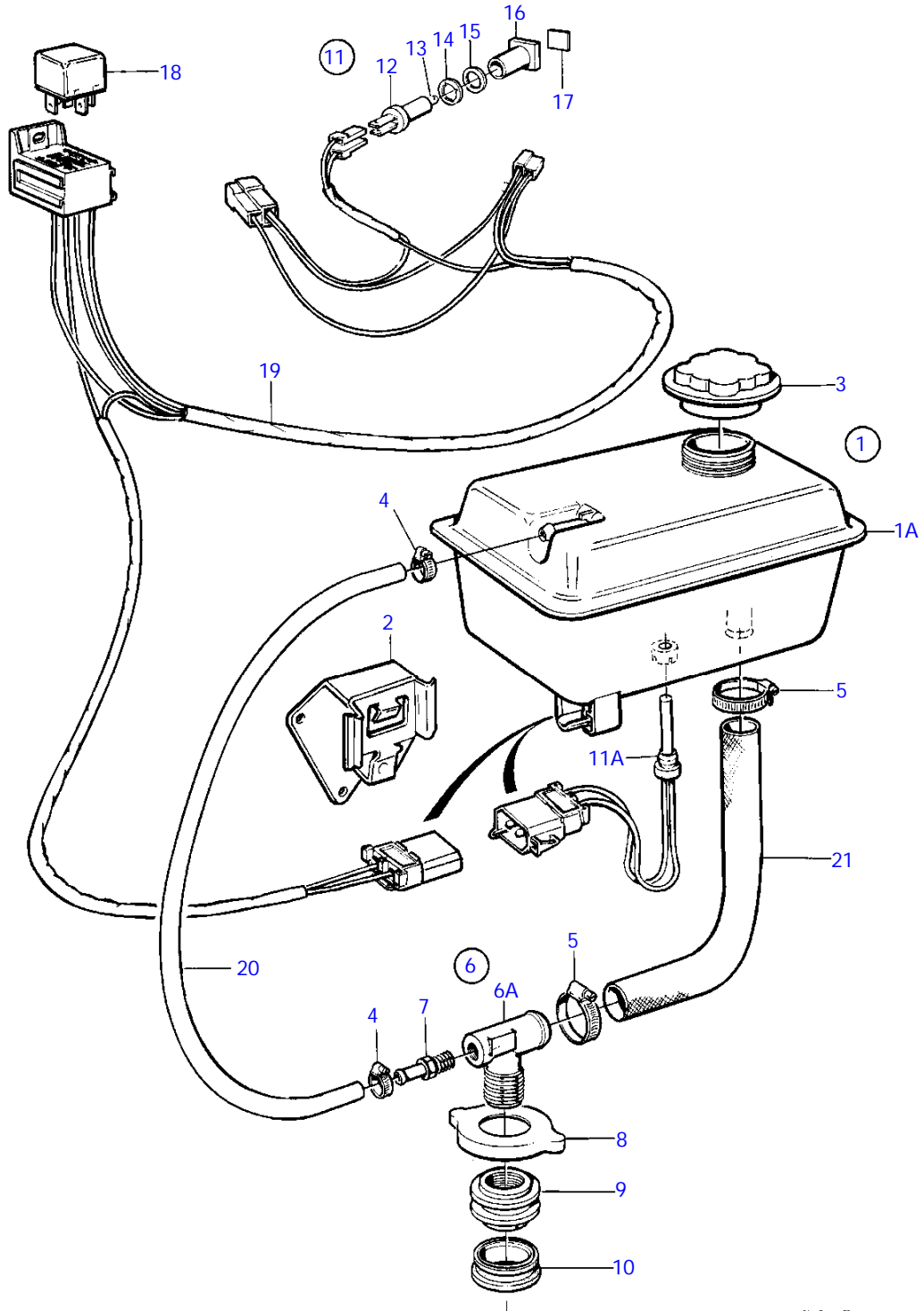
MD2010C, MD2010D, MD2020C, MD2020D, MD2030C, MD2030D, MD2040C, MD2040D



MD2010C, MD2010D, MD2020C, MD2020D, MD2030C, MD2030D, MD2040C, MD2040D

REF	PART NO.	QTY	DESCRIPTION	NOTES
1	861497	1	Kit	
2	828534	1	• Vacuum valve	
3	828533	1	• • Upper section	
4		2	• • Diaphragm	Included in overhaul kit.
5	828424	2	• • Gasket	Included in overhaul kit.
6	828266	1	• • Lower section	
7	947282	2	• • Gasket	Included in overhaul kit.
8		1	• Branch pipe	
9	961667	2	• Hose clamp	
10	952970	X	Hose	
11	961666	X	Hose clamp	
12	3818424	2	Repair kit	(875738)

MD2010C, MD2010D, MD2020C, MD2020D, MD2030C, MD2030D, MD2040C, MD2040D

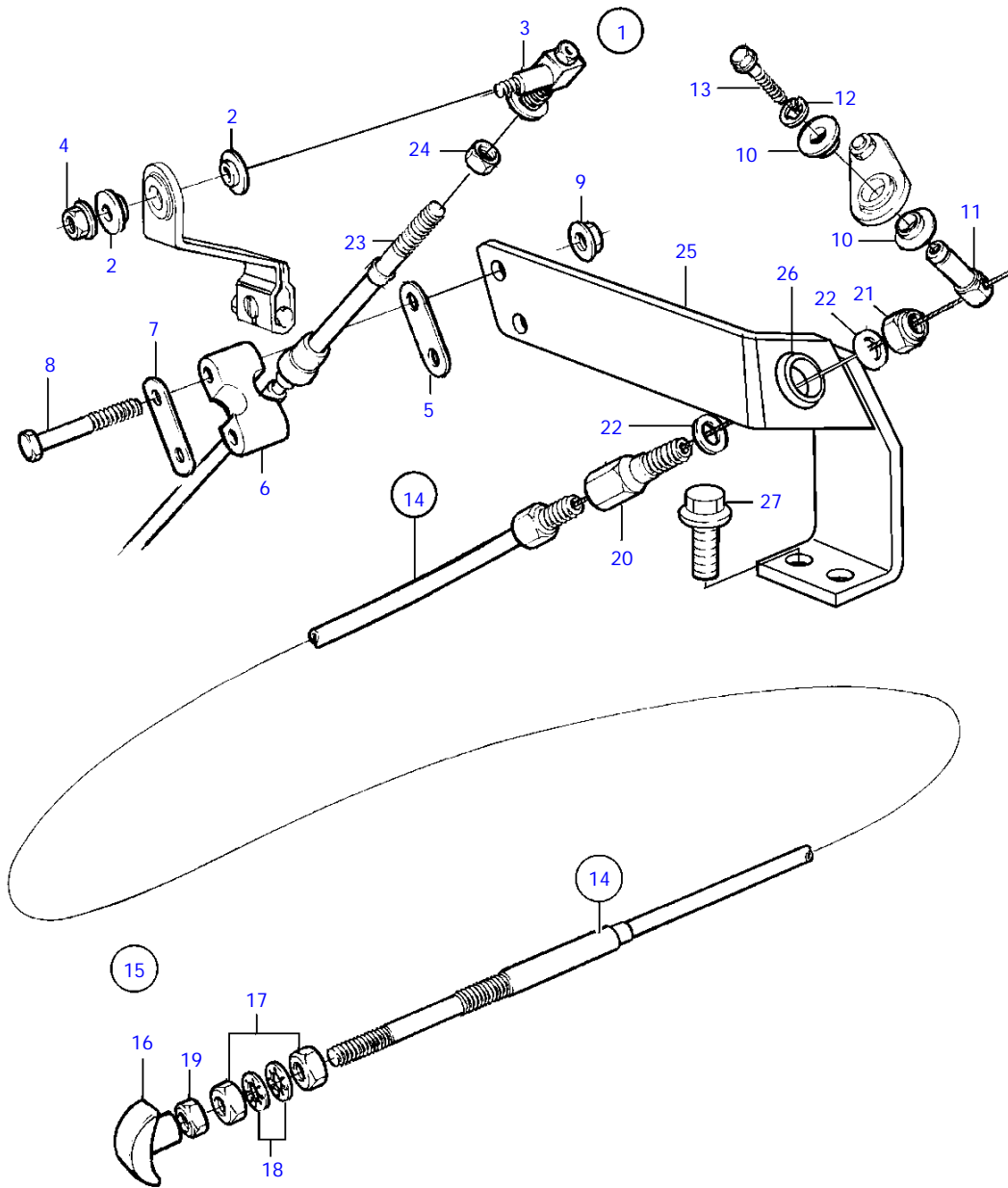


15865

MD2010C, MD2010D, MD2020C, MD2020D, MD2030C, MD2030D, MD2040C, MD2040D

REF	PART NO.	QTY	DESCRIPTION	SEE SEC.	NOTES
1	3581427	1	Expansion tank		(861745)
1A	861105	1	* Expansion tank		
			* Bulletin P-18-4-4	P-18-4-4-EN	Coolant Recommendations for Gas Engines
			* Bulletin p-26-1-7	p-26-1-7-EN	Coolant Capacity, FWC Gas Engines
2	3582351	1	* Bracket		
3	1674083	1	* Pressure cap		75kPa (1357775)
4	961663	2	* Hose clamp		
5	961666	2	* Hose clamp		
6	3581441	1	* Hose connection		(861741)
6A	943516	1	* * Elbow nipple		
7	860558	1	* * Hose coupling		
8	861740	1	* * Cardboard tube		
9	3581430	1	* * Sealing retainer		
10	1543751	1	* * Sealing ring		
11	(861759)	1	Level guard		Obsolete part
11A	3547710	1	* Level guard		
12	808175	1	* Lamp socket		
13	19923	1	* Bulb		12V, 2W
14	967583	1	* Retainer		
15	829714	1	* Sealing ring		
16	838455	1	* Retainer		
17	(3825092)	1	* Symbol strip		Obsolete part
18	873765	1	* Relay		(873765)
19		X	* cables and terminals	1963	
20	942700	X	Hose		
21	952970	X	Hose		

MD2010C, MD2010D, MD2020C, MD2020D

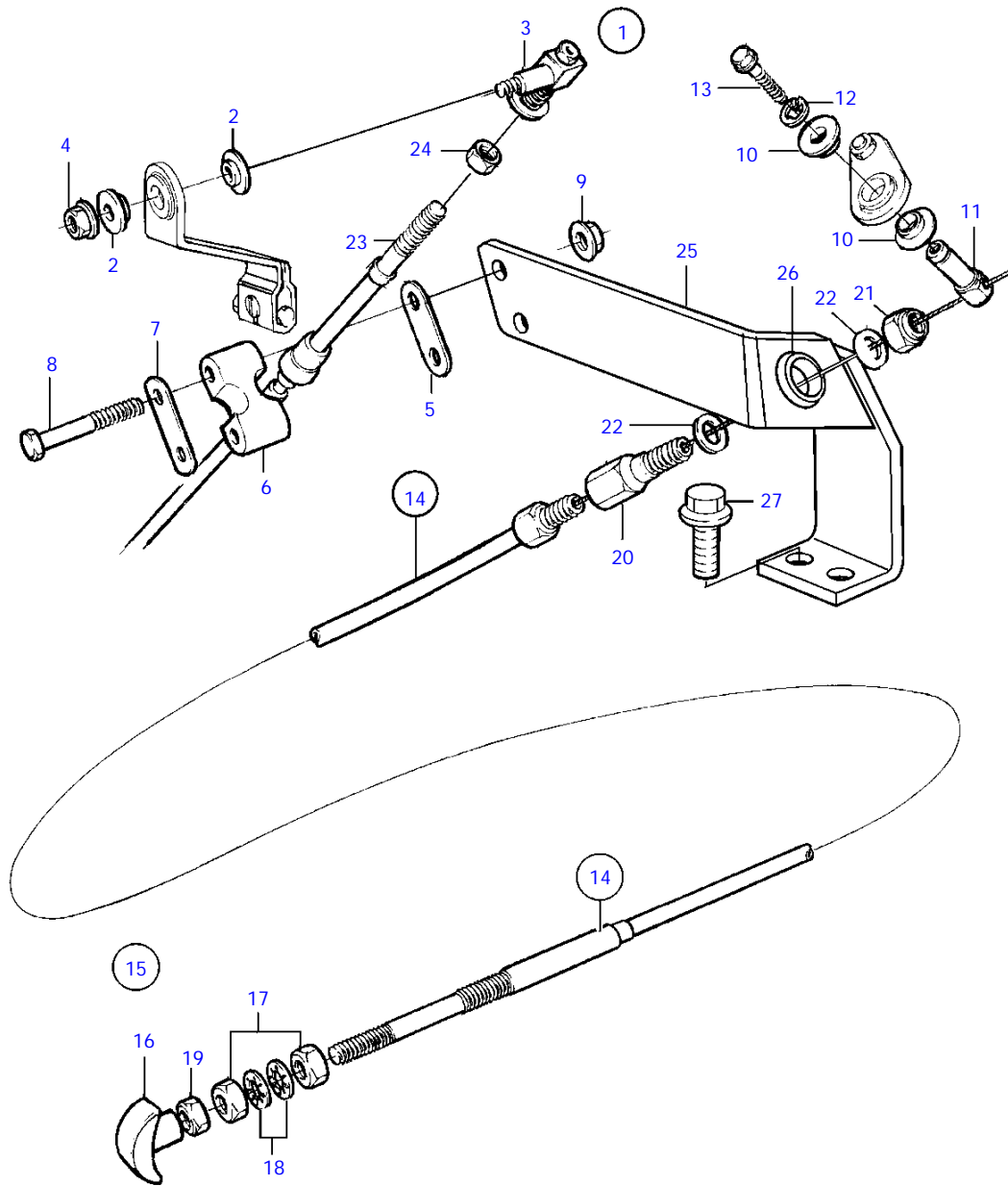


17658

MD2010C, MD2010D, MD2020C, MD2020D

REF	PART NO.	QTY	DESCRIPTION	SEE SEC.	NOTES
1		1	Connector kit		
2	843105	2	* Spacer washer		
3	840692	1	* Cube		
4	949874	1	* Flange lock nut		(946577)
5	872076	1	* Washer		
6	872074	1	* Retainer		
7	819068	1	* Washer		
8	969439	2	* 6 point socket screw		(955251)
9	949874	2	* Flange lock nut		(946577)
10	843105	2	* Spacer washer		
11	861479	1	* Cable clamp		
12	951669	1	* E-circlip		
13	969556	1	* 6 point socket screw		(955229)
14	825765	1	Choke control		L=3,3m
			* Bulletin P-27-6-2	P-27-6-2-EN	End of Production - Stop Cables
14	825764	1	Choke control		L=6,9m
			* Bulletin P-27-6-2	P-27-6-2-EN	End of Production - Stop Cables
15	(818478)	1	* Push pull control		For L=3,3m, Obsolete part
	(818470)	1	* Push pull control		For L=6,9m, Obsolete part
16	(829241)	1	* Handle		Obsolete part
17	955857	2	* Hexagon nut		
18	955950	2	* Toothed washer		
19	955844	1	* Hexagon nut		
20	829070	1	* Cable lock		
21	945467	1	* Lock nut		
22	955894	2	* Washer		
23		1	Control cable	231	
24		1	* Nut		
25	3580116	1	Anchorage		
26	843109	1	Bushing		
27	946173	2	Flange screw		(861844)

MD2030C, MD2030D

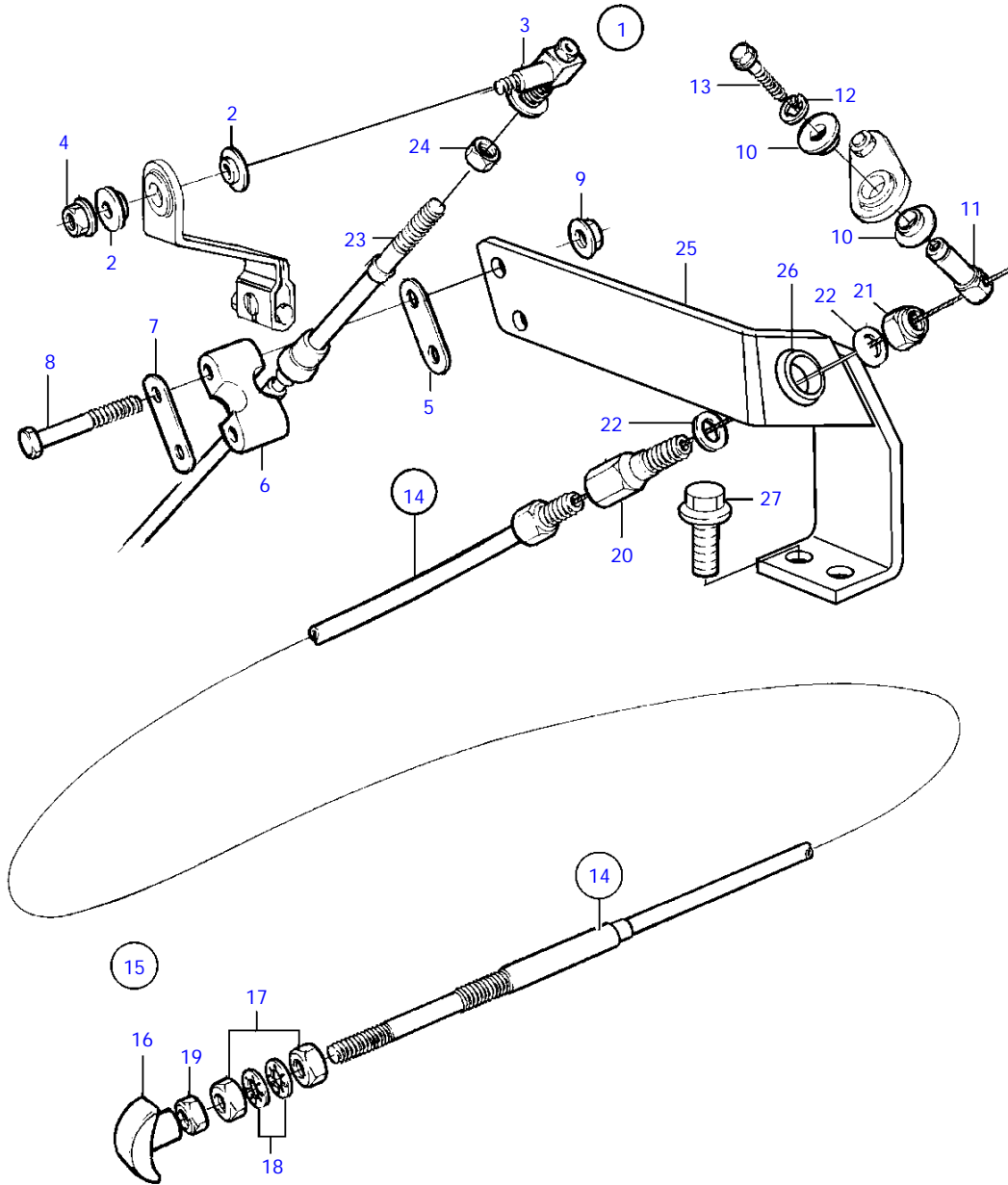


17658

MD2030C, MD2030D

REF	PART NO.	QTY	DESCRIPTION	SEE SEC.	NOTES
1		1	Connector kit		
2	843105	2	* Spacer washer		
3	840692	1	* Cube		
4	949874	1	* Flange lock nut		(946577)
5	872076	1	* Washer		
6	872074	1	* Retainer		
7	819068	1	* Washer		
8	969439	2	* 6 point socket screw		(955251)
9	949874	2	* Flange lock nut		(946577)
10	843105	2	* Spacer washer		
11	861479	1	* Cable clamp		
12	951669	1	* E-circlip		
13	969556	1	* 6 point socket screw		(955229)
14	825765	1	Choke control		L=3,3m
			* Bulletin P-27-6-2	P-27-6-2-EN	End of Production - Stop Cables
14	825764	1	Choke control		L=6,9m
			* Bulletin P-27-6-2	P-27-6-2-EN	End of Production - Stop Cables
15	(818478)	1	* Push pull control		For L=3,3m, Obsolete part
	(818470)	1	* Push pull control		For L=6,9m, Obsolete part
16	(829241)	1	* Handle		Obsolete part
17	955857	2	* Hexagon nut		
18	955950	2	* Toothed washer		
19	955844	1	* Hexagon nut		
20	829070	1	* Cable lock		
21	945467	1	* Lock nut		
22	955894	2	* Washer		
23		1	Control cable	231	
24		1	* Nut		
25	3580400	1	Anchorage		
26	843109	1	Bushing		
27	946173	2	Flange screw		(861844)

MD2040C, MD2040D

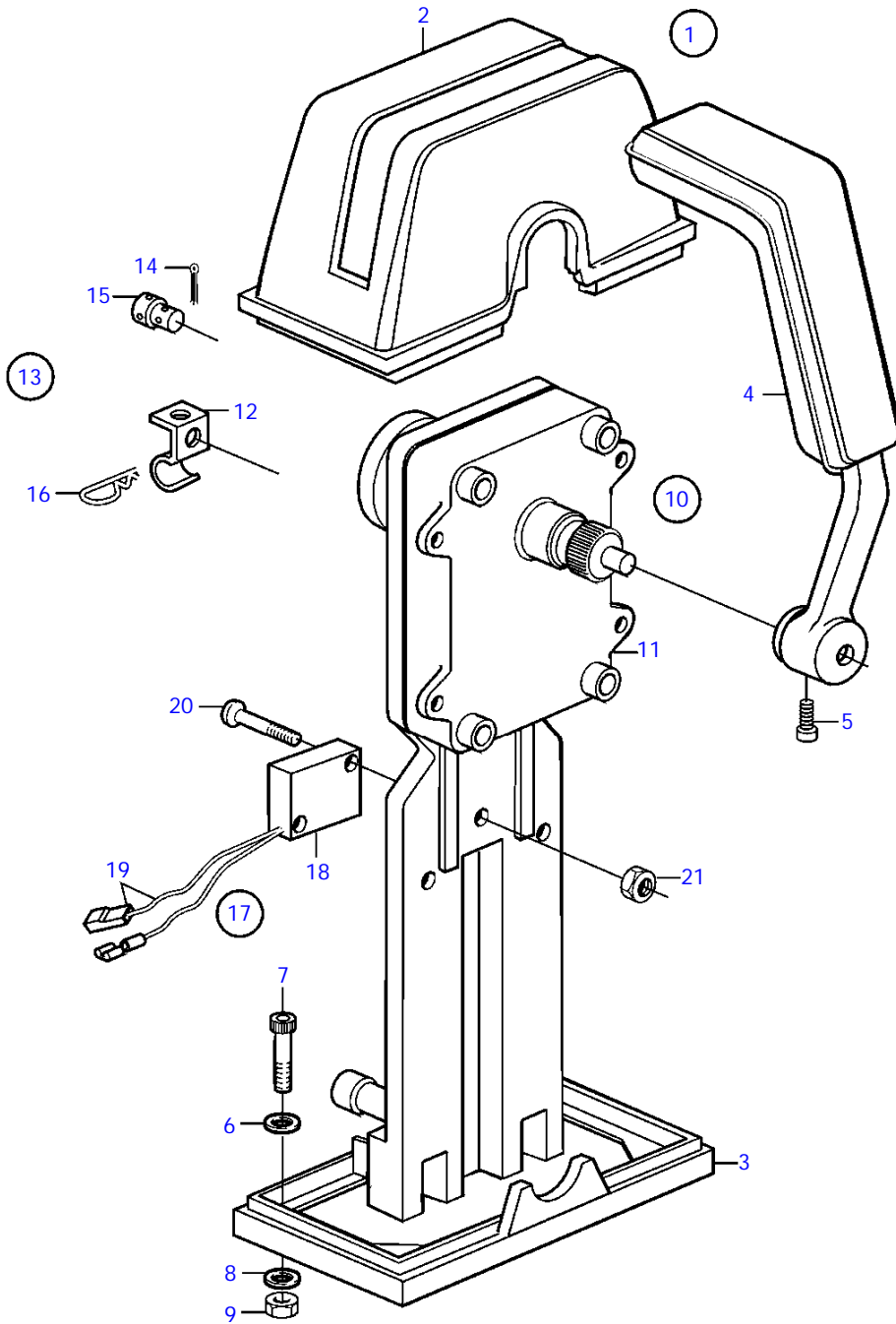


17658

MD2040C, MD2040D

REF	PART NO.	QTY	DESCRIPTION	SEE SEC.	NOTES
1		1	Connector kit		
2	843105	2	* Spacer washer		
3	840692	1	* Cube		
4	949874	1	* Flange lock nut		(946577)
5	872076	1	* Washer		
6	872074	1	* Retainer		
7	819068	1	* Washer		
8	969439	2	* 6 point socket screw		(955251)
9	949874	2	* Flange lock nut		(946577)
10	843105	2	* Spacer washer		
11	861479	1	* Cable clamp		
12	951669	1	* E-circlip		
13	969556	1	* 6 point socket screw		(955229)
14	825765	1	Choke control		L=3,3m
			* Bulletin P-27-6-2	P-27-6-2-EN	End of Production - Stop Cables
14	825764	1	Choke control		L=6,9m
			* Bulletin P-27-6-2	P-27-6-2-EN	End of Production - Stop Cables
15	(818478)	1	* Push pull control		For L=3,3m, Obsolete part
	(818470)	1	* Push pull control		For L=6,9m, Obsolete part
16	(829241)	1	* Handle		Obsolete part
17	955857	2	* Hexagon nut		
18	955950	2	* Toothed washer		
19	955844	1	* Hexagon nut		
20	829070	1	* Cable lock		
21	945467	1	* Lock nut		
22	955894	2	* Washer		
23		1	Control cable	231	
24		1	* Nut		
25	3580606	1	Anchorage		
26	843109	1	Bushing		
27	946173	2	Flange screw		(861844)

MD2010C, MD2010D, MD2020C, MD2020D, MD2030C, MD2030D, MD2040C, MD2040D

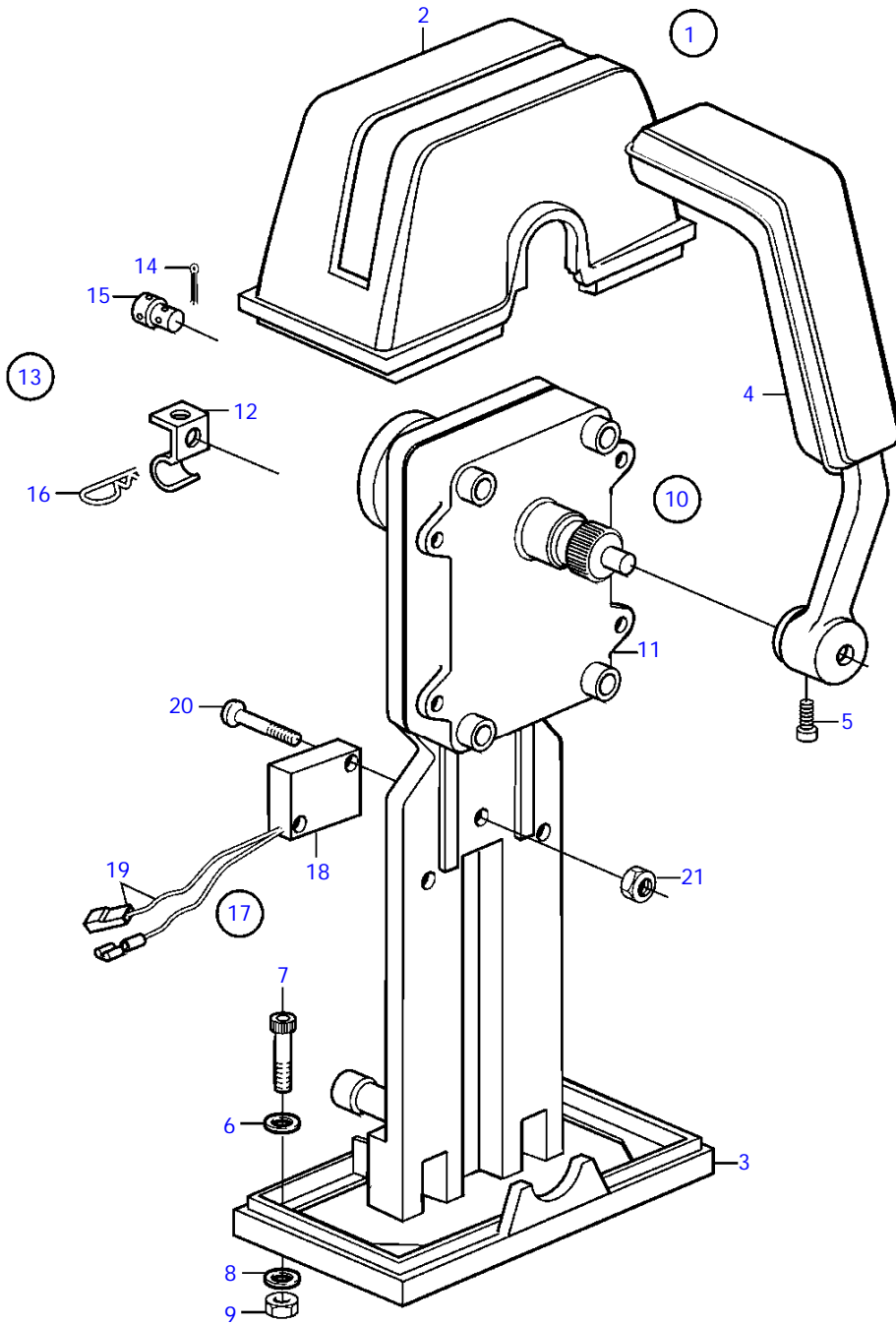


18507

MD2010C, MD2010D, MD2020C, MD2020D, MD2030C, MD2030D, MD2040C, MD2040D

REF	PART NO.	QTY	DESCRIPTION	SEE SEC.	NOTES
1	851602	1	Mounting kit		For single installation.
2	850823	1	* Cover		
3	839474	1	* Plate		
4	839475	1	* Hand lever		
5	839693	1	* Lock screw		
6	940090	2	* Washer		
7	947671	4	* Hex. socket screw		
8	960138	4	* Washer		
9	955780	4	* Hexagon nut		
10	851600	1	Control		
11	(851666)	1	* Control mechanism		Obsolete part
12	853423	1	* Retainer		
13	(851712)	1	* Connector kit		Obsolete part
14	17253	2	* * Split pin		
15	839638	2	* * Cube		
16	852924	1	* * Clip		
17	855352	1	Neutral position con		
18	850200	1	* Toggle switch		
19		X	* * cables and terminals	1963	
20	946177	2	* Cross recessed screw		
21	947536	2	* Hexagon nut		

MD2010C, MD2010D, MD2020C, MD2020D, MD2030C, MD2030D, MD2040C, MD2040D

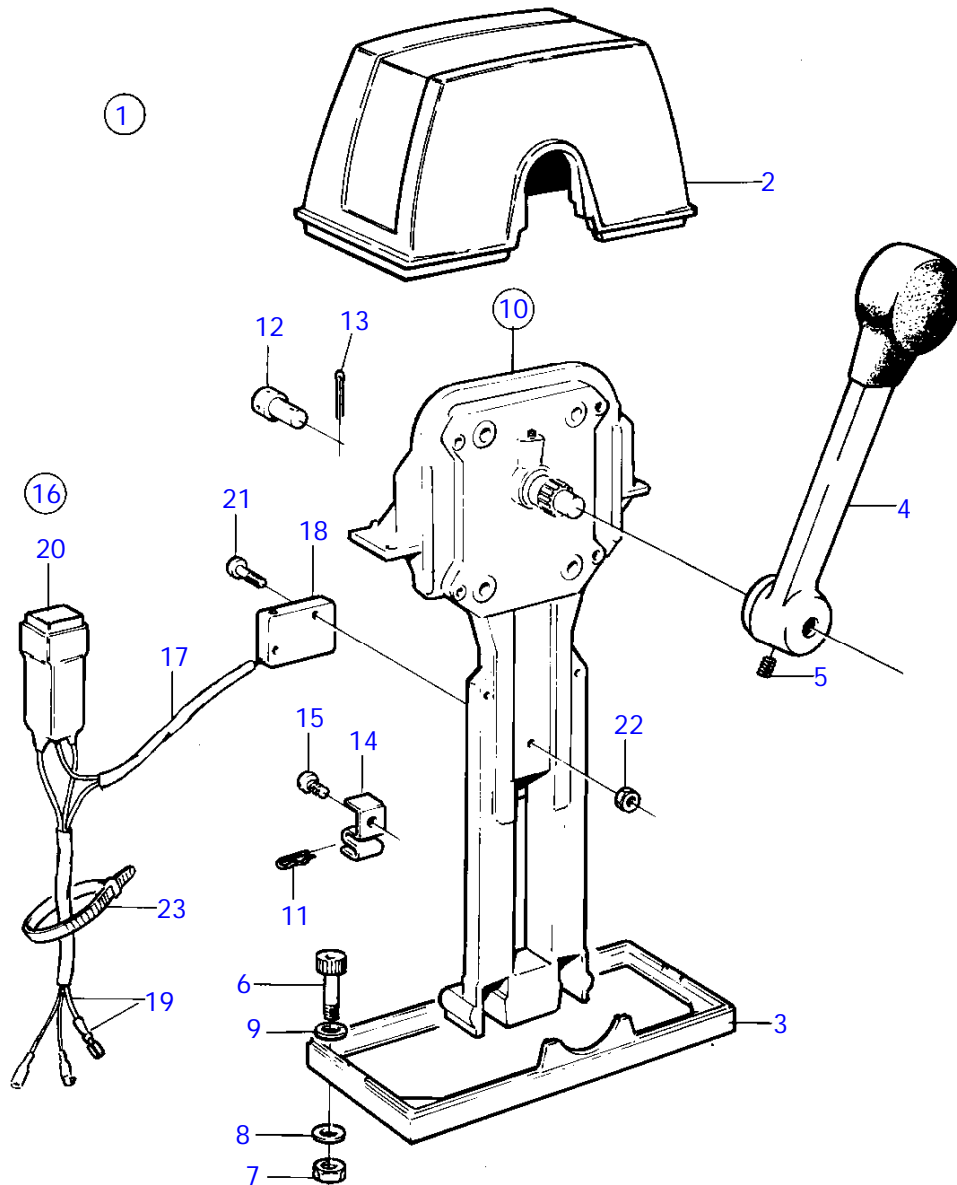


18507

MD2010C, MD2010D, MD2020C, MD2020D, MD2030C, MD2030D, MD2040C, MD2040D

REF	PART NO.	QTY	DESCRIPTION	SEE SEC.	NOTES
1	851603	1	Mounting kit		For twin installation.
2	850824	1	* Cover		
3	839479	1	* Plate		
4	839475	2	* Hand lever		
5	839693	2	* Lock screw		
6	940090	2	* Washer		
7	947671	6	* Hex. socket screw		
8	960138	6	* Washer		
9	955780	6	* Hexagon nut		
10	851600	2	Control		
11	(851666)	2	* Control mechanism		Obsolete part
12	853423	2	* Retainer		
13	(851712)	2	* Connector kit		Obsolete part
14	17253	4	* * Split pin		
15	839638	4	* * Cube		
16	852924	2	* * Clip		
17	855352	2	Neutral position con		
18	850200	2	* Toggle switch		
19		X	* * cables and terminals	1963	
20	946177	4	* Cross recessed screw		
21	947536	4	* Hexagon nut		

MD2010C, MD2010D, MD2020C, MD2020D, MD2030C, MD2030D, MD2040C, MD2040D

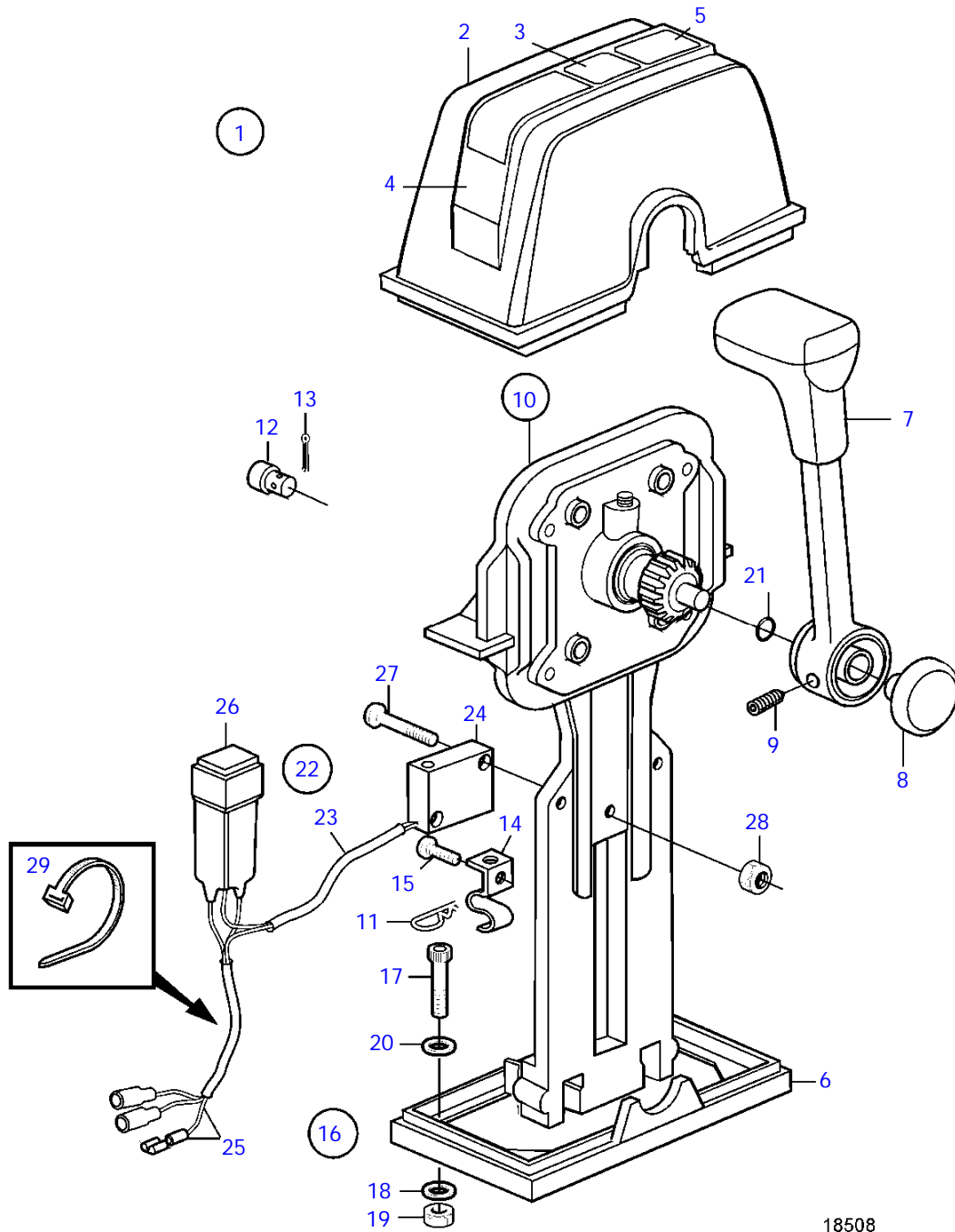


8862

MD2010C, MD2010D, MD2020C, MD2020D, MD2030C, MD2030D, MD2040C, MD2040D

REF	PART NO.	QTY	DESCRIPTION	SEE SEC.	NOTES
1	1140022	1	Mounting kit		
2	850823	1	* Cover		
3	839474	1	* Plate		
4	839521	1	* Hand lever		
5	839693	1	* Lock screw		
6	947671	4	* Hex. socket screw		
7	955780	4	* Hexagon nut		
8	960138	4	* Washer		
9	940090	2	* Washer		
10	851600	1	Control		
11	852924	1	* Clip		
12	839638	2	* Cube		
13	17253	2	* Split pin		
14	853423	1	* Retainer		
15	839664	1	* Screw		
16	855352	1	Neutral position con		
17	(839619)	1	* Cable kit		Obsolete part
18	850200	1	* • Toggle switch		
19		X	* • cables and terminals	1963	
20	876037	1	* Relay kit		
21	946177	2	* Cross recessed screw		
22	947536	2	* Hexagon nut		
23	948211	X	* Cable tie		

MD2010C, MD2010D, MD2020C, MD2020D, MD2030C, MD2030D, MD2040C, MD2040D

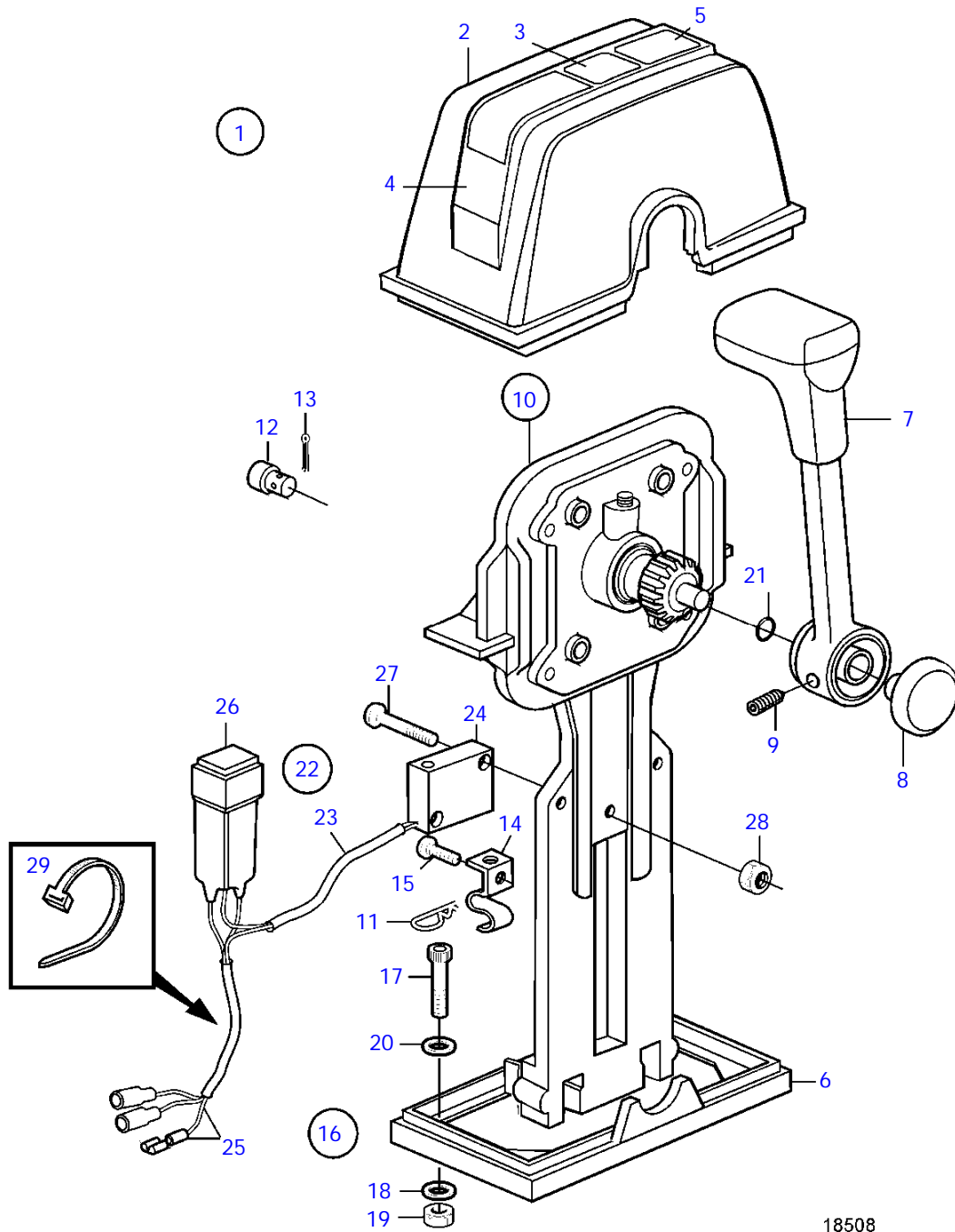


18508

MD2010C, MD2010D, MD2020C, MD2020D, MD2030C, MD2030D, MD2040C, MD2040D

REF	PART NO.	QTY	DESCRIPTION	SEE SEC.	NOTES
1	853168	1	Mounting kit		For single installation.
2	1140046	1	* Cover		
3	851896	2	* * Decal		
4	(851892)	1	* * Crossbar		Obsolete part
5	(851898)	1	* * Decal		Obsolete part
6	839474	1	* * Plate		
7	852347	1	Hand lever		
			*		
			*	266	
8		1	* Push button		Included in complete handle.
9		1	* Screw		Included in complete handle.
10	851600	1	Control		
11	853423	1	* Retainer		
12	852924	1	* Clip		
13	839664	1	* Screw		
14	839638	1	* Cube		
15	17253	1	* Split pin		
16		1	Screw kit		
17	947671	4	* Hex. socket screw		
18	960138	4	* Washer		
19	955780	4	* Hexagon nut		
20	940090	4	* Washer		
21	925058	1	* O-ring		
22	855352	1	Neutral position con		
23	(839619)	1	* Cable kit		Obsolete part
24	850200	1	* * Toggle switch		
25		X	* * cables and terminals	1963	
26	876037	1	* Relay kit		
27	946177	2	* Cross recessed screw		
28	947536	2	* Hexagon nut		
29	948211	X	* Cable tie		

MD2010C, MD2010D, MD2020C, MD2020D, MD2030C, MD2030D, MD2040C, MD2040D

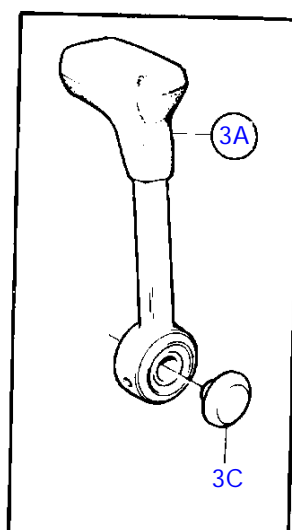
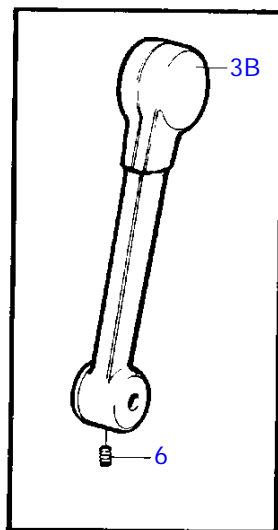
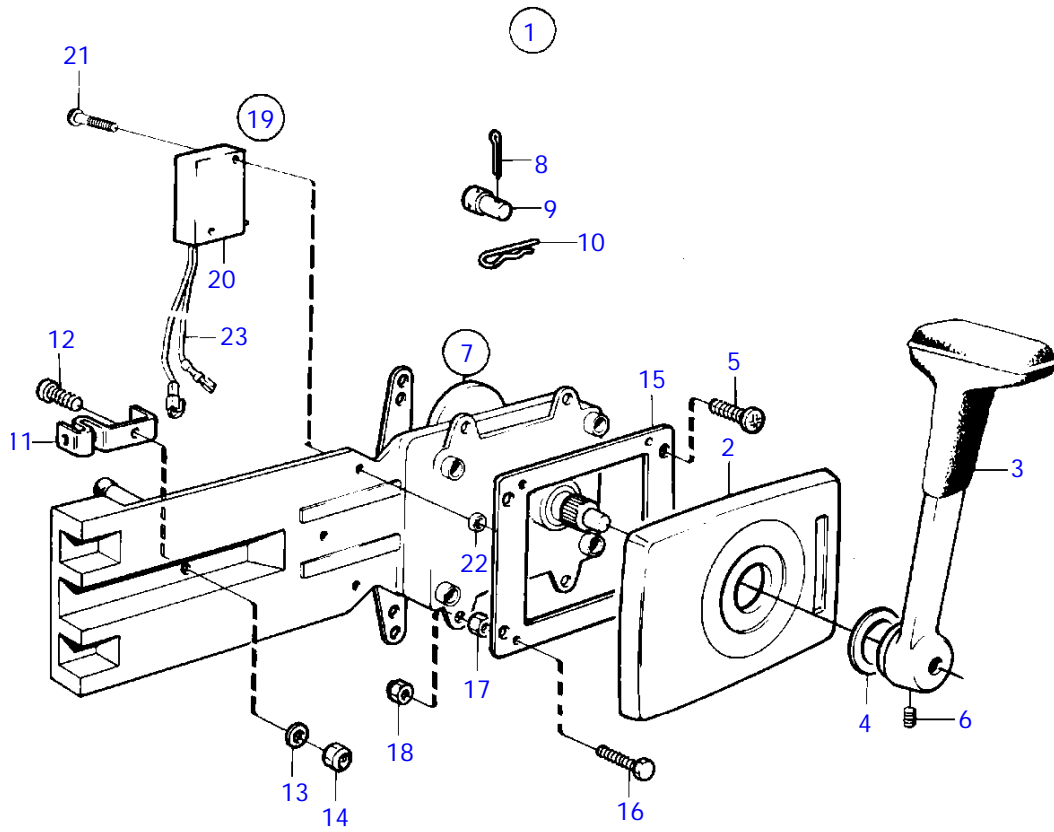


18508

MD2010C, MD2010D, MD2020C, MD2020D, MD2030C, MD2030D, MD2040C, MD2040D

REF	PART NO.	QTY	DESCRIPTION	SEE SEC.	NOTES
1	853169	1	Mounting kit		For twin installation.
2	851881	1	* Cover		
3	(851895)	2	* * Decal		Obsolete part
4		1	* * Crossbar		
5	851897	1	* * Decal		
6	839479	1	* * Plate		
7	852347	2	Hand lever		
8		2	* Push button	266	Included in complete handle.
9		2	* Screw		Included in complete handle.
10	851600	2	Control		
11	853423	2	* Retainer		
12	852924	2	* Clip		
13	839664	2	* Screw		
14	839638	2	* Cube		
15	17253	2	* Split pin		
16		1	Screw kit		
17	947671	4	* Hex. socket screw		
18	960138	4	* Washer		
19	955780	4	* Hexagon nut		
20	940090	4	* Washer		
21	925058	2	* O-ring		
22	855352	2	Neutral position con		
23	(839619)	2	* Cable kit		Obsolete part
24	850200	2	* * Toggle switch		
25		X	* * cables and terminals	1963	
26	876037	2	* Relay kit		
27	946177	4	* Cross recessed screw		
28	947536	4	* Hexagon nut		
29	948211	X	* Cable tie		

MD2010C, MD2010D, MD2020C, MD2020D, MD2030C, MD2030D, MD2040C, MD2040D

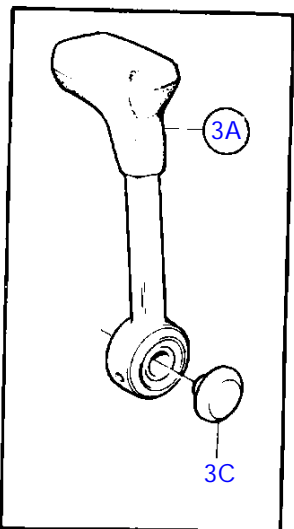
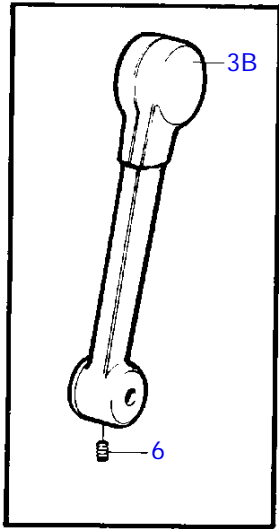
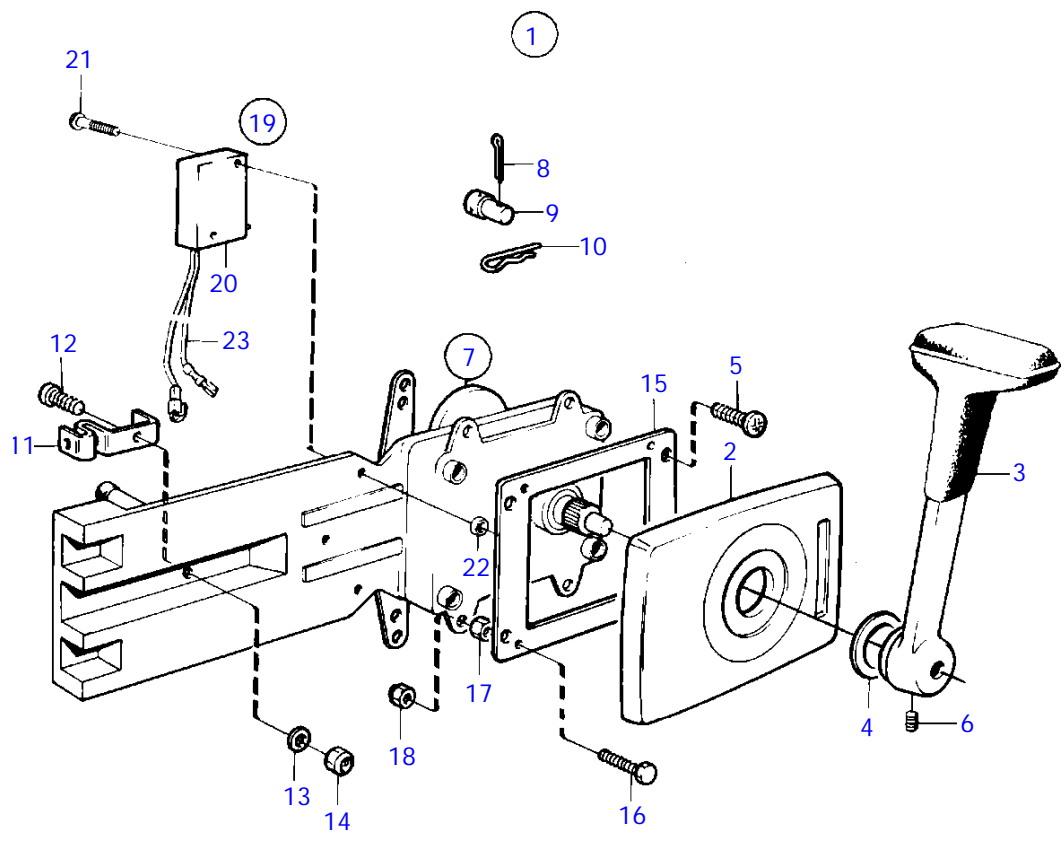


10315

MD2010C, MD2010D, MD2020C, MD2020D, MD2030C, MD2030D, MD2040C, MD2040D

REF	PART NO.	QTY	DESCRIPTION	SEE SEC.
1	1140092	1	Mounting kit	
2	853713	1	* Cover	
3	839520	1	* Hand lever	
			* *	
			*	266
4	1140094	1	* Washer	
5	961330	4	* Cross recessed screw	
6	839693	1	* Lock screw	
7	1140095	1	Control mechanism	
8	17253	2	* Split pin	
9	839638	2	* Cube	
10	852924	1	* Clip	
11	853423	1	* Retainer	
12	839664	1	* Screw	
13	940275	1	* Washer	
14	946435	1	* Lock nut	
15		1	* Attaching plate	
16	963548	4	* Hexagon screw	
17		4	* Nut	
18	946435	4	* Lock nut	
19	855352	1	Neutral position con	
20	850200	1	* Toggle switch	
21	946177	2	* Cross recessed screw	
22	947536	2	* Hexagon nut	
23		X	* cables and terminals	1963

MD2010C, MD2010D, MD2020C, MD2020D, MD2030C, MD2030D, MD2040C, MD2040D



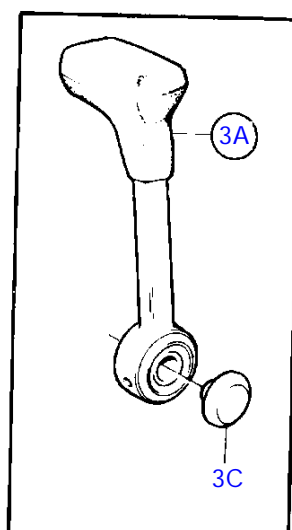
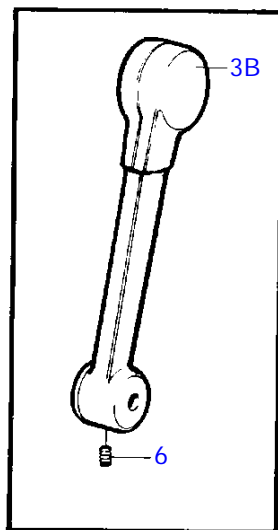
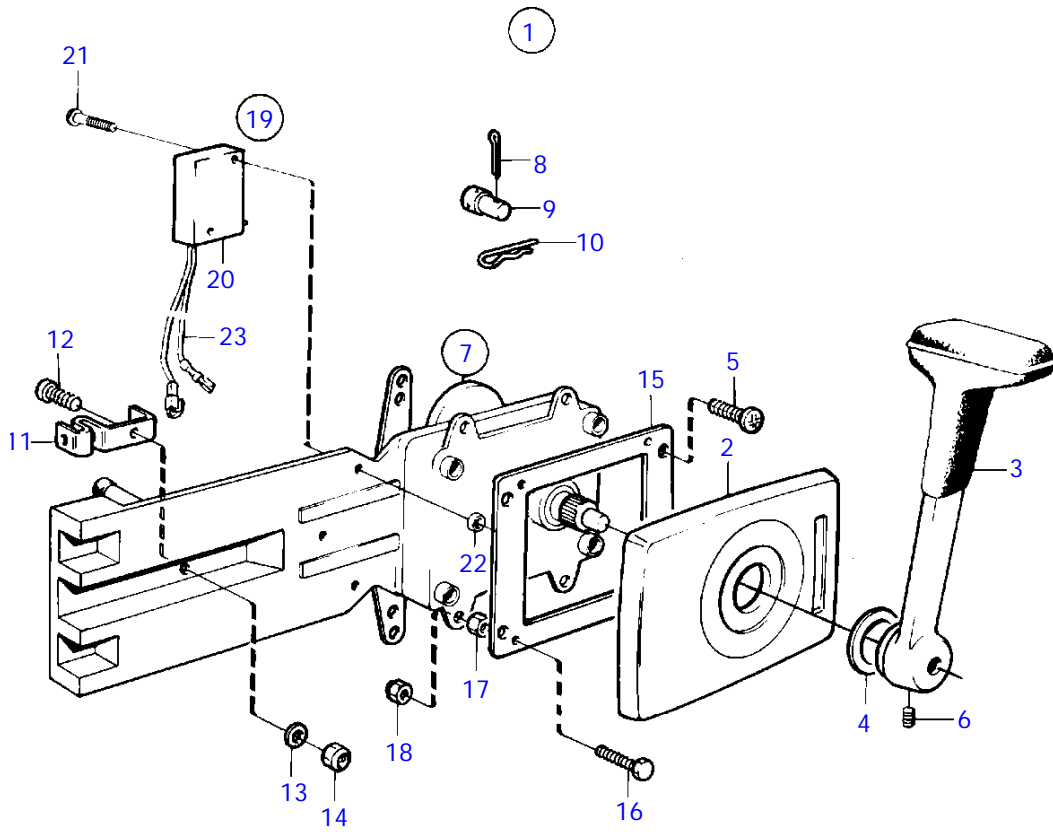
10315



MD2010C, MD2010D, MD2020C, MD2020D, MD2030C, MD2030D, MD2040C, MD2040D

REF	PART NO.	QTY	DESCRIPTION	SEE SEC.
1	1140093	1	Mounting kit	
2	853713	1	* Cover	
3				266
3B	839521	1	* Hand lever	
4	1140094	1	* Washer	
5	961330	4	* Cross recessed screw	
6	839693	1	* Lock screw	
7	1140095	1	Control mechanism	
8	17253	2	* Split pin	
9	839638	2	* Cube	
10	852924	1	* Clip	
11	853423	1	* Retainer	
12	839664	1	* Screw	
13	940275	1	* Washer	
14	946435	1	* Lock nut	
15		1	* Attaching plate	
16	963548	4	* Hexagon screw	
17		4	* Nut	
18	946435	4	* Lock nut	
19	855352	1	Neutral position con	
20	850200	1	* Toggle switch	
21	946177	2	* Cross recessed screw	
22	947536	2	* Hexagon nut	
23		X	* cables and terminals	1963

MD2010C, MD2010D, MD2020C, MD2020D, MD2030C, MD2030D, MD2040C, MD2040D

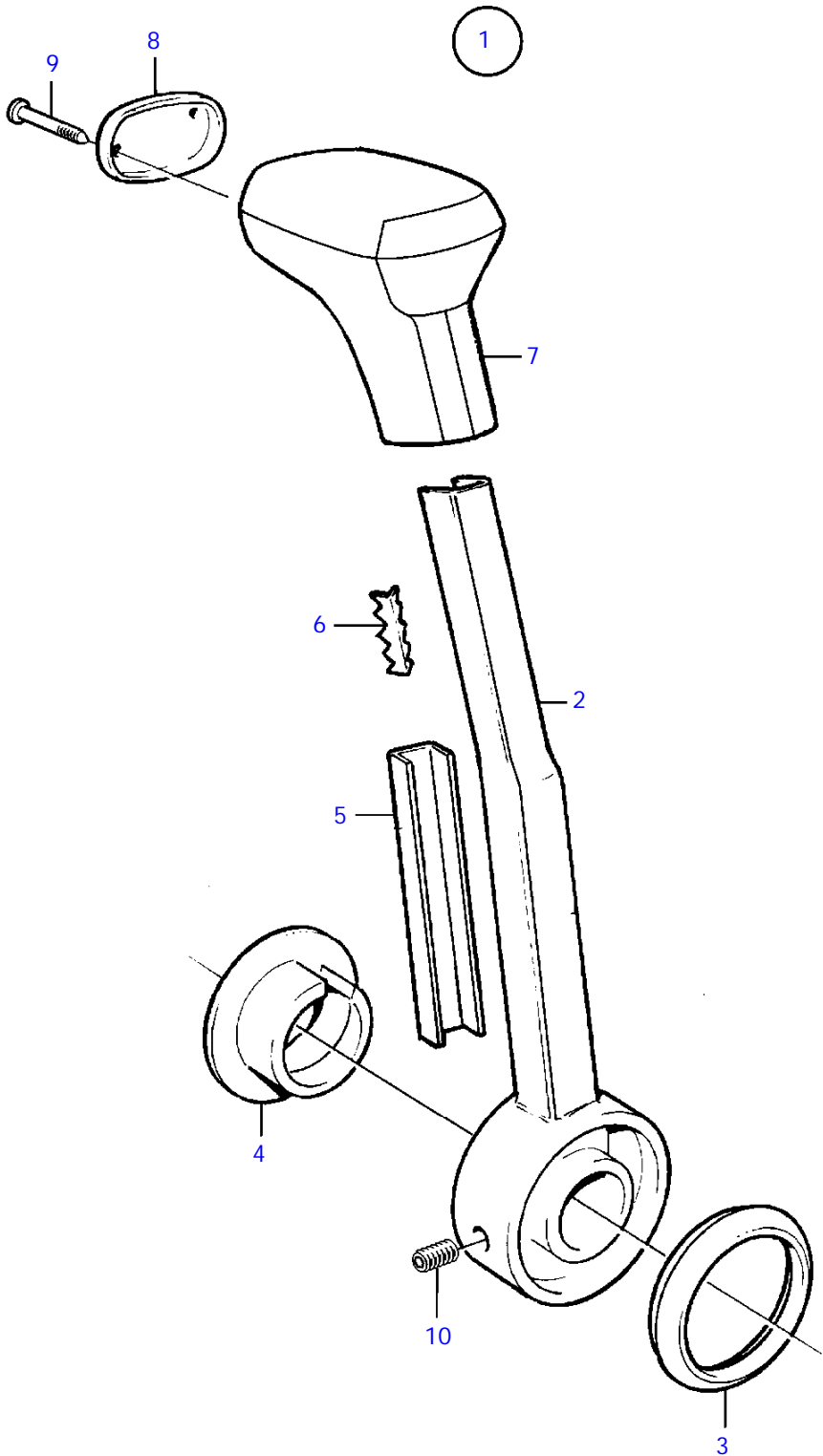


10315

MD2010C, MD2010D, MD2020C, MD2020D, MD2030C, MD2030D, MD2040C, MD2040D

REF	PART NO.	QTY	DESCRIPTION	SEE SEC.
1	1140090	1	Mounting kit	
2	853713	1	* Cover	
3A	852347	1	* Hand lever	
3				266
3C	853004	1	* Push button	
5	961330	4	* Cross recessed screw	
7	1140095	1	Control mechanism	
8	17253	2	* Split pin	
9	839638	2	* Cube	
10	852924	1	* Clip	
11	853423	1	* Retainer	
12	839664	1	* Screw	
13	940275	1	* Washer	
14	946435	1	* Lock nut	
15		1	* Attaching plate	
16	963548	4	* Hexagon screw	
17		4	* Nut	
18	946435	4	* Lock nut	
19	855352	1	Neutral position con	
20	850200	1	* Toggle switch	
21	946177	2	* Cross recessed screw	
22	947536	2	* Hexagon nut	
23		X	* cables and terminals	1963

MD2010C, MD2010D, MD2020C, MD2020D, MD2030C, MD2030D, MD2040C, MD2040D

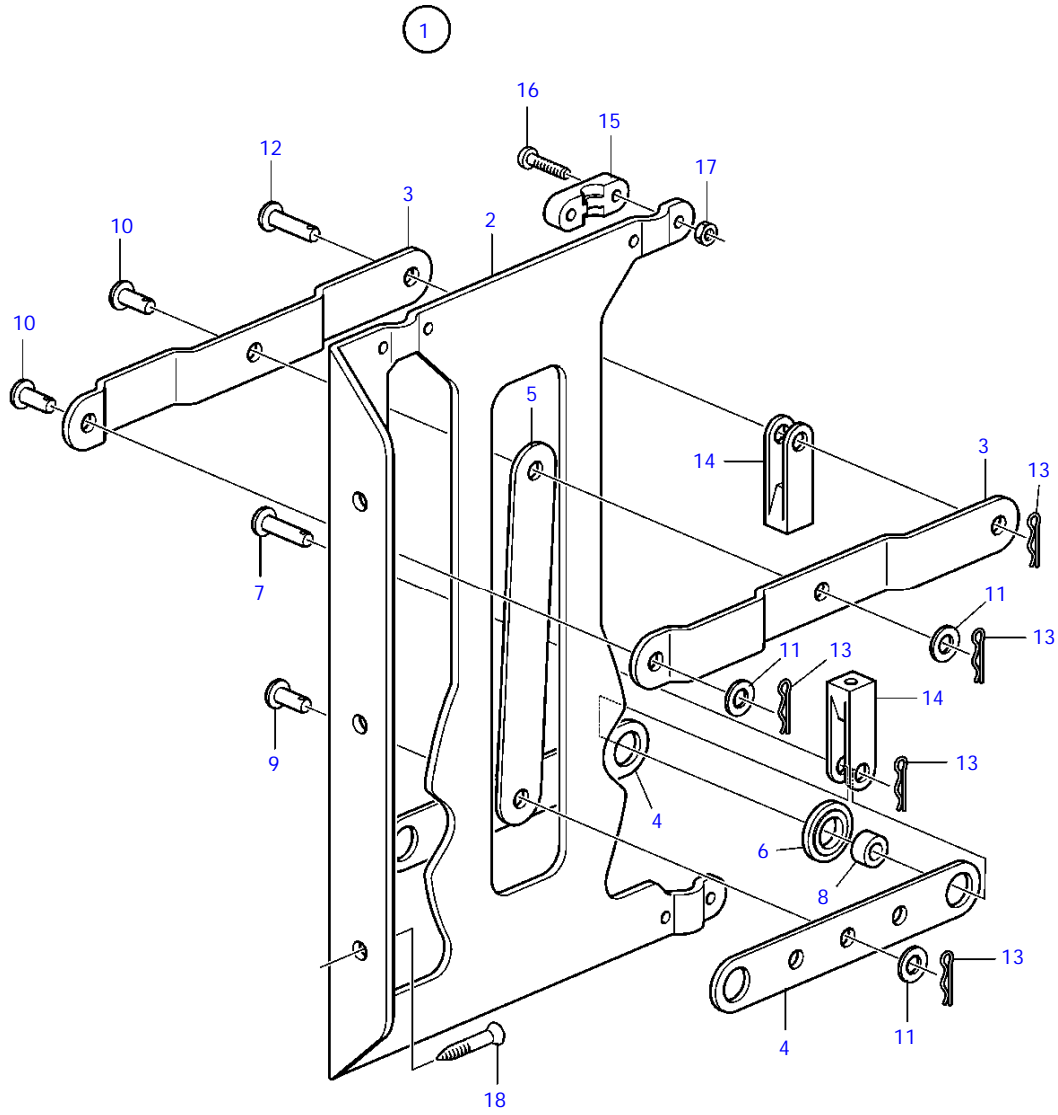


18645

MD2010C, MD2010D, MD2020C, MD2020D, MD2030C, MD2030D, MD2040C, MD2040D

REF	PART NO.	QTY	DESCRIPTION	NOTES
1	852347	1	Hand lever	
2	828911	1	* Hand lever	
3	852995	1	* Ring	
4	853004	1	* Push button	
5	852991	1	* Rail	
6	853000	1	* Striker plate	
7	852989	1	* Handle	
8	3818554	1	* Cardboard tube	(852992)
9	853003	2	* Nail	
10	963678	1	* Hex. socket screw	

MD2010C, MD2010D, MD2020C, MD2020D, MD2030C, MD2030D, MD2040C, MD2040D

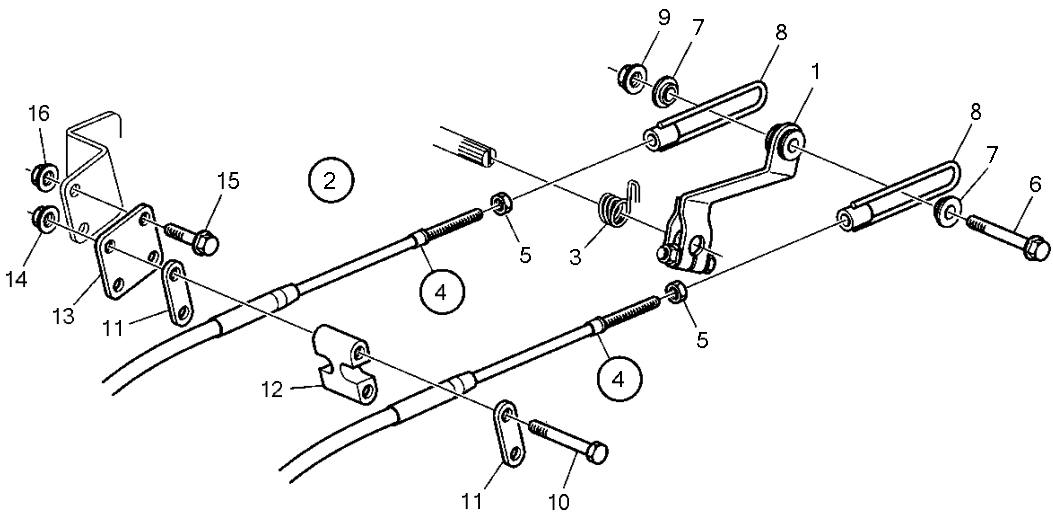


23103

MD2010C, MD2010D, MD2020C, MD2020D, MD2030C, MD2030D, MD2040C, MD2040D

REF	PART NO.	QTY	DESCRIPTION	NOTES
1	828164	1	Connection plate	For double steering positions.
2		1	* Housing	
3		2	* Lever	
4		2	* Lever	
5		1	* Lever	
6	828180	2	* Roller	
7	828183	2	* Split pin	
8	828178	2	* Bushing	
9	(850358)	1	* Clevis pin	Obsolete part
10	(828177)	2	* Clevis pin	Obsolete part
11	940191	3	* Washer	
12	828182	1	* Clevis pin	
13	664822	6	* Split pin	
14	850452	3	* Fork	
15	850361	3	* Cable attachment	
16	969407	6	* 6 point socket screw	(956078)
17	955780	6	* Hexagon nut	
18	(905448)	3	Screw	Obsolete part

MD2010C, MD2010D, MD2020C, MD2020D, MD2030C, MD2030D, MD2040C, MD2040D

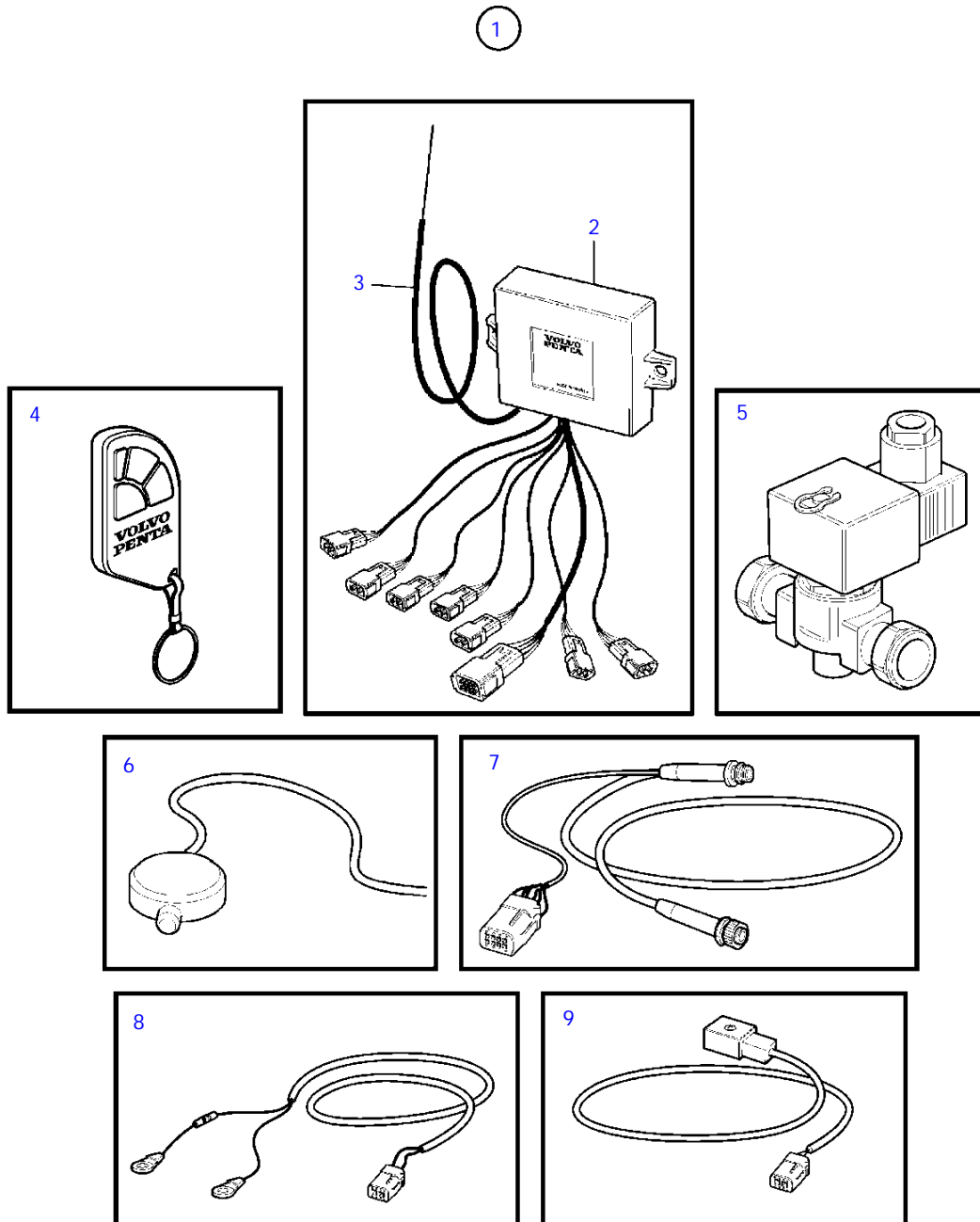


22671

MD2010C, MD2010D, MD2020C, MD2020D, MD2030C, MD2030D, MD2040C, MD2040D

REF	PART NO.	QTY	DESCRIPTION	SEE SEC.	NOTES
1		1	Throttle control	4221	For double steering positions.
2	3581041	1	Engine speed control		Obsolete part
3	3581127	1	* Torsion spring		
4		2	* Control cable	231	
5		2	* Nut		
6	948356	1	* Flange screw		
7	843105	2	* Spacer washer		
8	861622	2	* Anchorage		
9	949278	1	* Flange lock nut		
10	969439	2	* 6 point socket screw		
11	872076	2	* Washer		
12	872074	1	* Retainer		
13	3581126	1	* Attaching plate		
14		2	* Nut		
15	969408	2	* 6 point socket screw		
16	949874	2	* Flange lock nut		

MD2010C, MD2010D, MD2020C, MD2020D, MD2030C, MD2030D, MD2040C, MD2040D

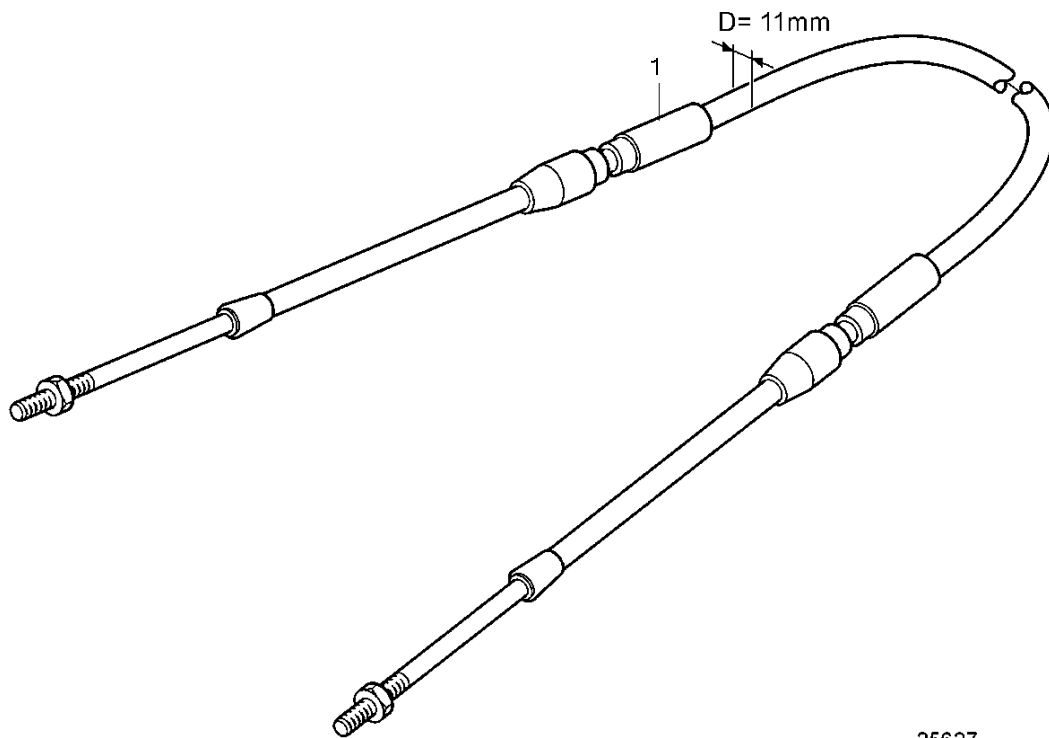


22672

MD2010C, MD2010D, MD2020C, MD2020D, MD2030C, MD2030D, MD2040C, MD2040D

REF	PART NO.	QTY	DESCRIPTION
1	1140659	1	Starter inhibitor
2		1	* Electronic unit
3		1	* Antenna
4	874253	2	* Electronic unit
5	874262	1	* Fuel valve
6	874257	1	* Turn signal
7	874260	1	* Wiring harness
8	874259	1	* Wiring harness
9	874261	1	* Wiring harness

MD2010C, MD2010D, MD2020C, MD2020D, MD2030C, MD2030D, MD2040C, MD2040D

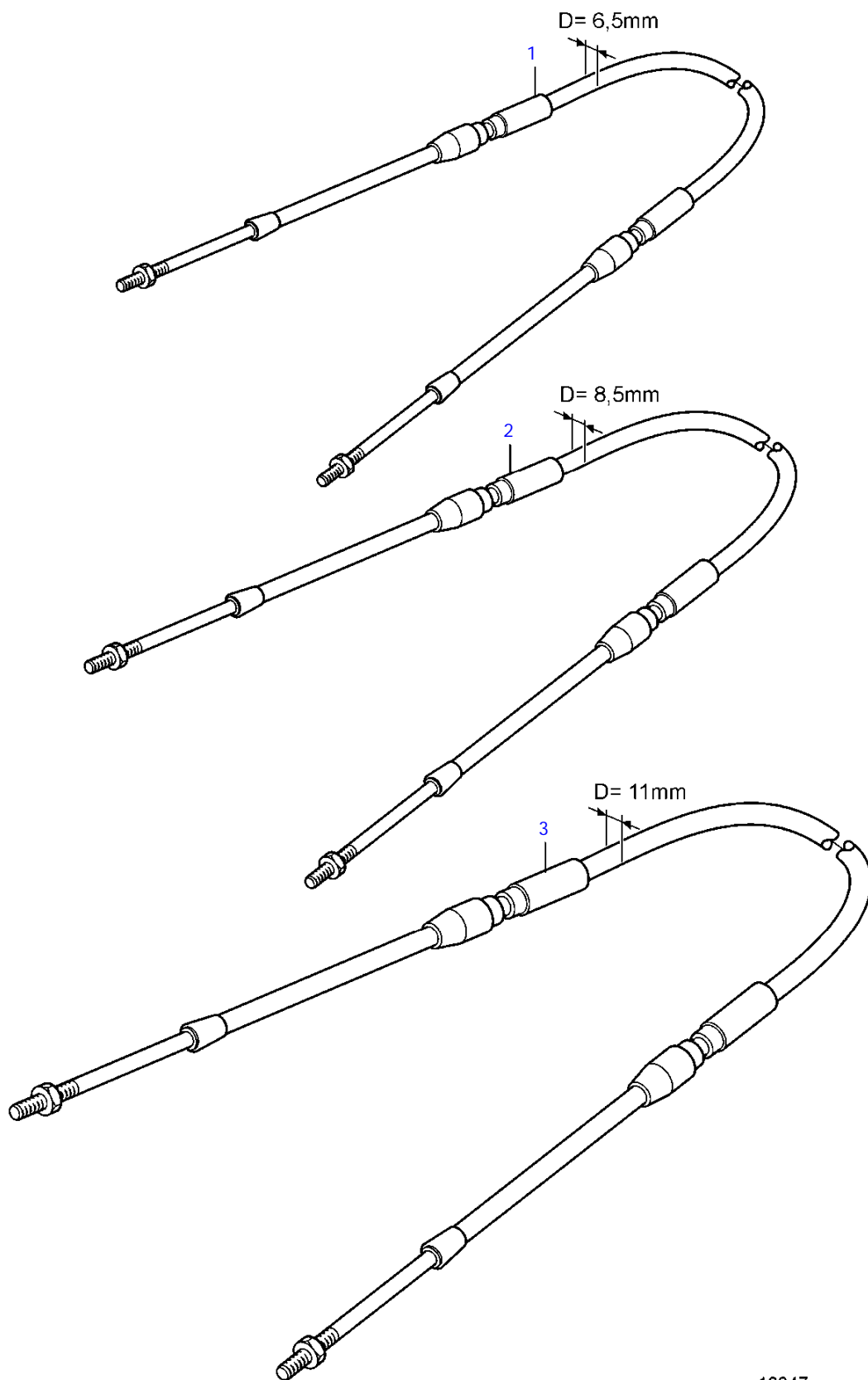


25627

MD2010C, MD2010D, MD2020C, MD2020D, MD2030C, MD2030D, MD2040C, MD2040D

REF	PART NO.	QTY	DESCRIPTION	NOTES
1	21633515	1	Control cable	44ft, L=13.40m
	21633516	1	Control cable	45ft, L=13.70m
	21633517	1	Control cable	46ft, L=14.00m
	21633518	1	Control cable	47ft, L=14.30m
	21633519	1	Control cable	48ft, L=14.60m
	21633520	1	Control cable	49ft, L=14.90m
	21633521	1	Control cable	50ft, L=15.20m

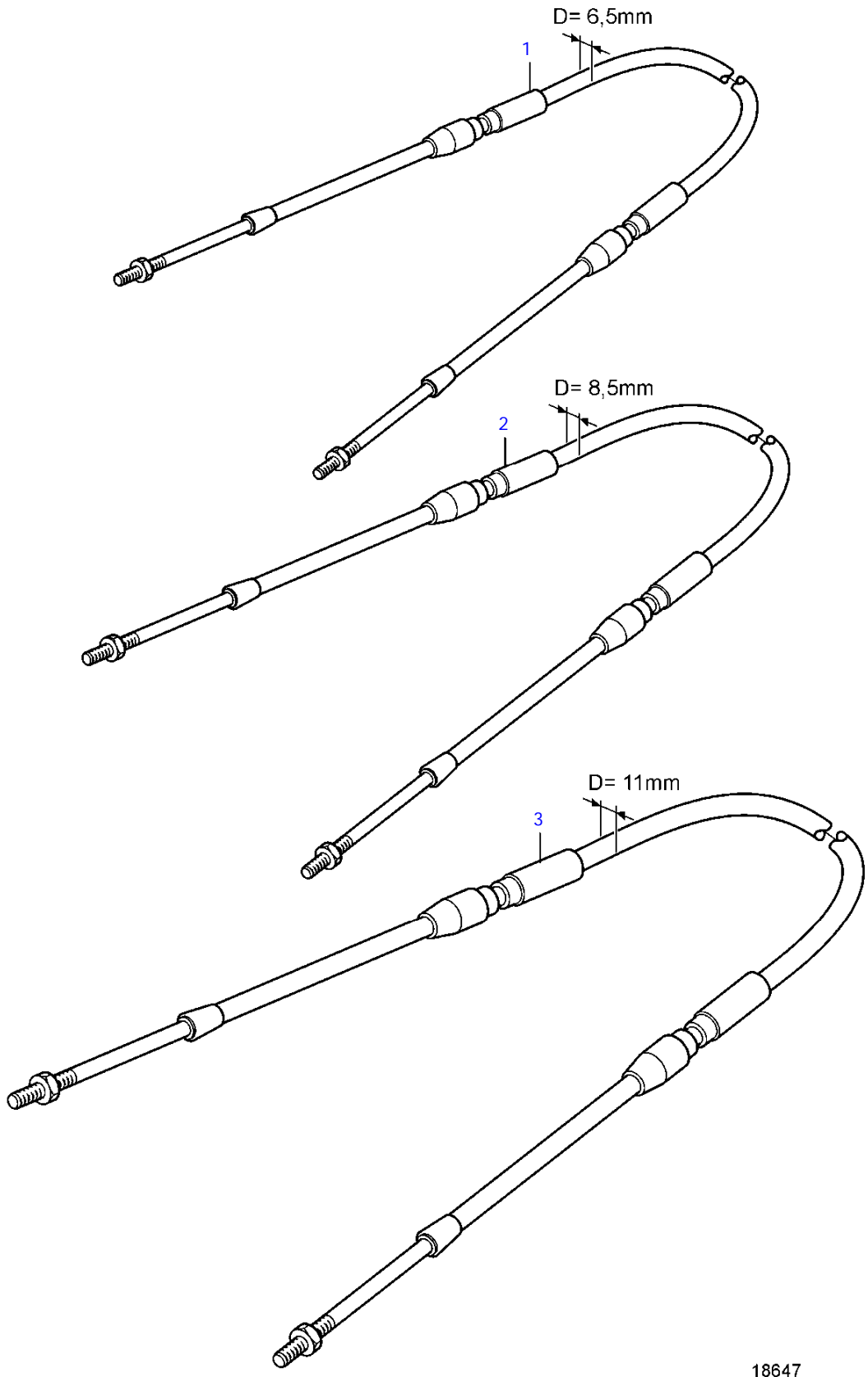
MD2010C, MD2010D, MD2020C, MD2020D, MD2030C, MD2030D, MD2040C, MD2040D



18647

MD2010C, MD2010D, MD2020C, MD2020D, MD2030C, MD2030D, MD2040C, MD2040D

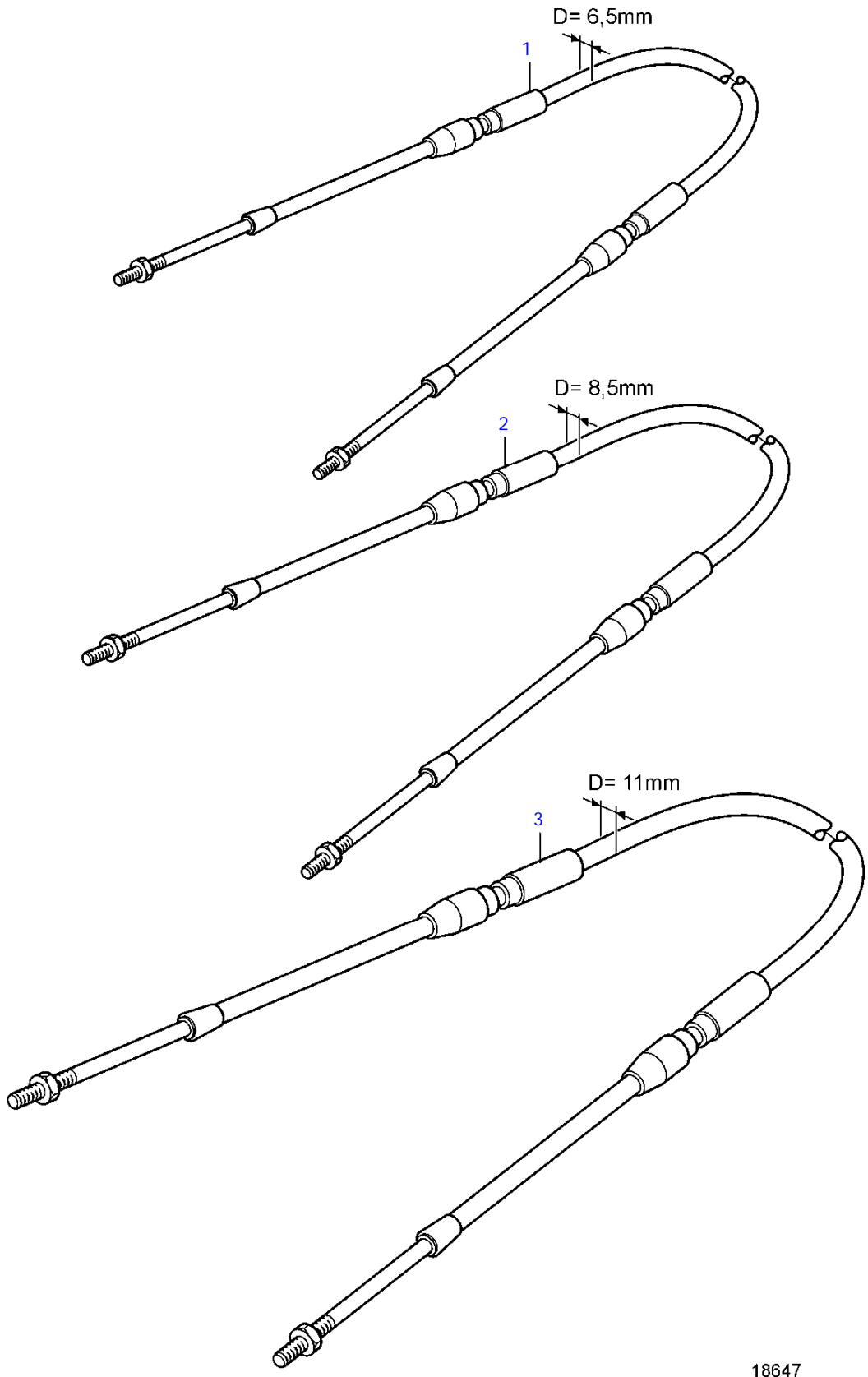
REF	PART NO.	QTY	DESCRIPTION	NOTES
1	1140131	1	Control cable	L=1250mm
	1140132	1	Control cable	L=1500mm
	1140133	1	Control cable	L=1750mm
	(1140134)	1	Control cable	Obsolete part, L=2000mm
	1140135	1	Control cable	L=2250mm
	(1140136)	1	Control cable	Obsolete part, L=2500mm
	(1140137)	1	Control cable	Obsolete part, L=2750mm
	(1140138)	1	Control cable	Obsolete part, L=3000mm
	1140139	1	Control cable	L=3250mm
	1140140	1	Control cable	L=3500mm
	(1140141)	1	Control cable	Obsolete part, L=3750mm
	(1140142)	1	Control cable	Obsolete part, L=4000mm
	(1140143)	1	Control cable	Obsolete part, L=4250mm
	(1140144)	1	Control cable	Obsolete part, L=4500mm
	1140145	1	Control cable	L=4750mm
	(1140146)	1	Control cable	Obsolete part, L=5000mm



18647



REF	PART NO.	QTY	DESCRIPTION	NOTES
2	1140171	1	Control cable	L=1000mm
	1140172	1	Control cable	L=1250mm
	1140173	1	Control cable	L=1500mm
	1140174	1	Control cable	L=1750mm
	1140175	1	Control cable	L=2000mm
	1140176	1	Control cable	L=2250mm
	1140177	1	Control cable	L=2500mm
	1140178	1	Control cable	L=2750mm
	1140179	1	Control cable	L=3000mm
	1140180	1	Control cable	L=3250mm
	1140181	1	Control cable	L=3500mm
	1140182	1	Control cable	L=3750mm
	1140183	1	Control cable	L=4000mm
	1140184	1	Control cable	L=4250mm
	1140185	1	Control cable	L=4500mm
	1140186	1	Control cable	L=4750mm
	1140187	1	Control cable	L=5000mm
	1140188	1	Control cable	L=5250mm
	1140189	1	Control cable	L=5500mm
	1140190	1	Control cable	L=5750mm
	1140191	1	Control cable	L=6000mm
	1140192	1	Control cable	L=6250mm
	1140193	1	Control cable	L=6500mm
	1140194	1	Control cable	L=6750mm
	1140195	1	Control cable	L=7000mm
	1140196	1	Control cable	L=7250mm
	1140197	1	Control cable	L=7500mm
	1140198	1	Control cable	L=7750mm
	1140199	1	Control cable	L=8000mm
	888081	1	Control cable	L=8250mm
	1140200	1	Control cable	L=8500mm
	888082	1	Control cable	L=8750mm
	1140201	1	Control cable	L=9000mm
	888083	1	Control cable	L=9250mm
	1140202	1	Control cable	L=9500mm
	888084	1	Control cable	L=9750mm
	1140203	1	Control cable	L=10000mm
	888085	1	Control cable	L=10250mm
	1140204	1	Control cable	L=10500mm
	888086	1	Control cable	L=10750mm
	1140205	1	Control cable	L=11000mm
	888087	1	Control cable	L=11250mm
	1140206	1	Control cable	L=11500mm
	888088	1	Control cable	L=11750mm
	1140207	1	Control cable	L=12000mm
	888089	1	Control cable	L=12250mm
	1140208	1	Control cable	L=12500mm
	888090	1	Control cable	L=12750mm
	1140209	1	Control cable	L=13000mm

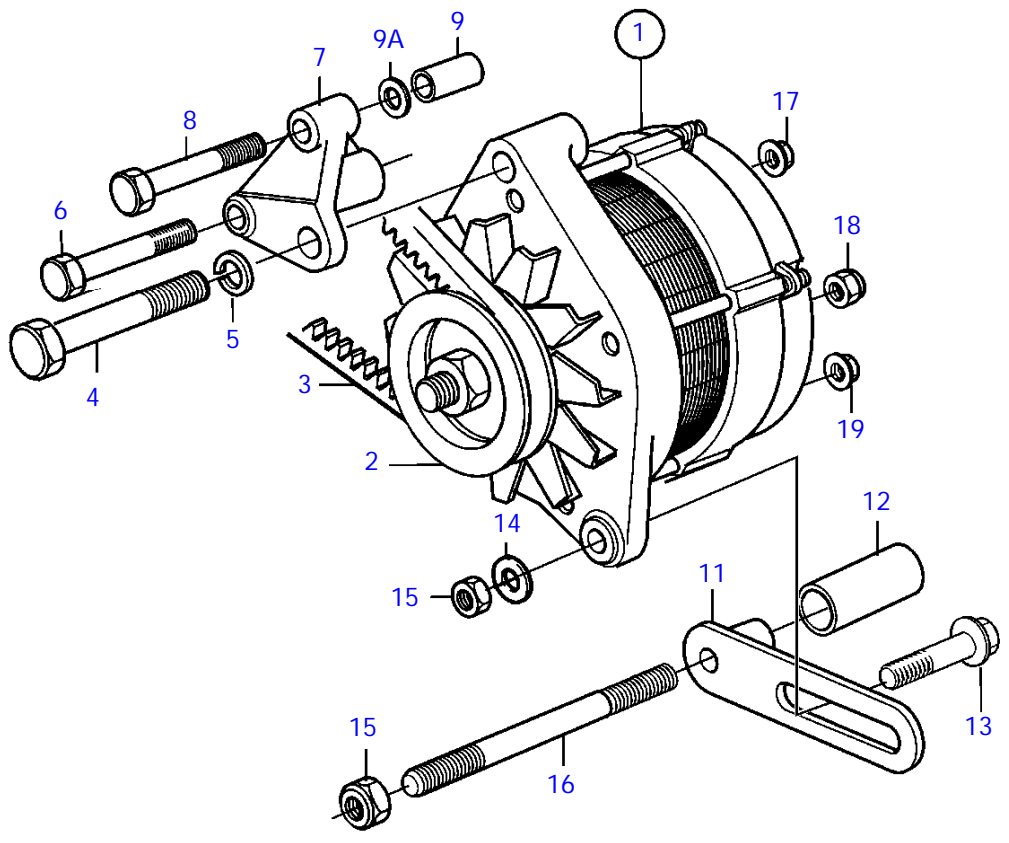
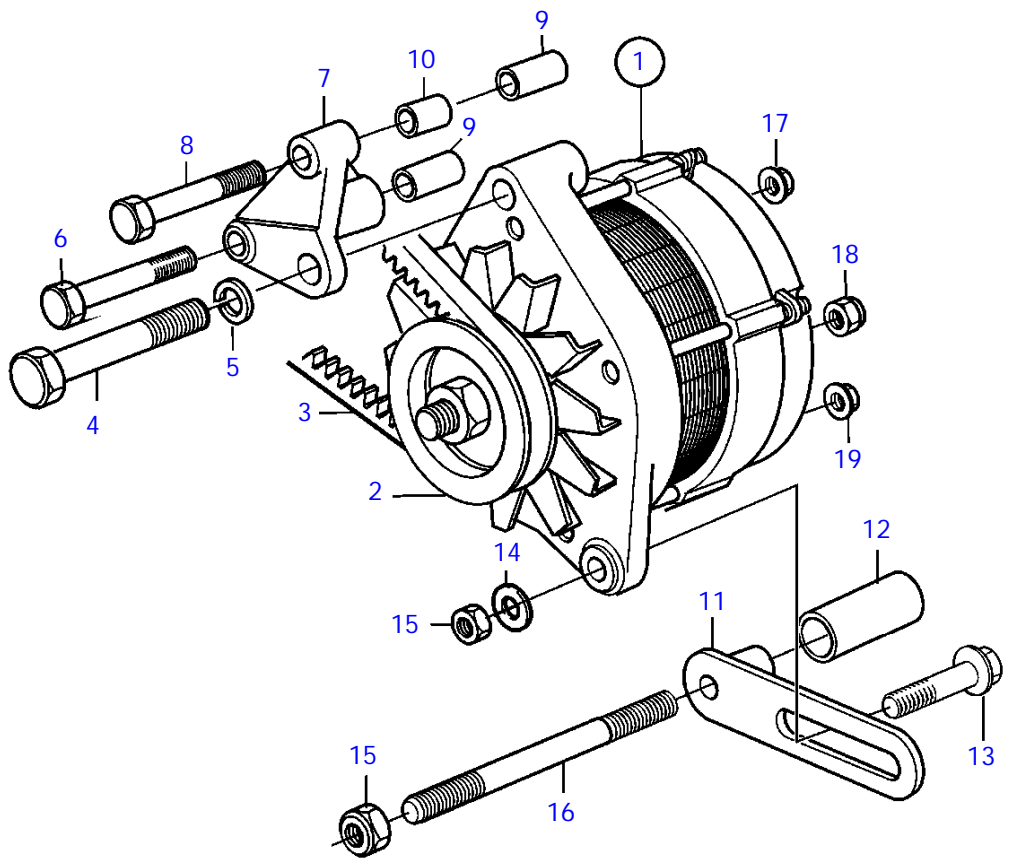


18647



REF	PART NO.	QTY	DESCRIPTION	NOTES
3	(1140101)	1	Control cable	Obsolete part, L=2000mm
	(1140102)	1	Control cable	Obsolete part, L=2500mm
	(1140103)	1	Control cable	Obsolete part, L=3000mm
	(1140104)	1	Control cable	Obsolete part, L=3500mm
	(1140105)	1	Control cable	Obsolete part, L=4000mm
	1140106	1	Control cable	L=4500mm
	(1140107)	1	Control cable	Obsolete part, L=5000mm
	(1140108)	1	Control cable	Obsolete part, L=5500mm
	(1140109)	1	Control cable	Obsolete part, L=6000mm
	(1140110)	1	Control cable	Obsolete part, L=6500mm
	1140111	1	Control cable	L=7000mm
	(1140112)	1	Control cable	Obsolete part, L=7500mm
	(1140113)	1	Control cable	Obsolete part, L=8000mm
	1140114	1	Control cable	L=8500mm
	1140115	1	Control cable	L=9000mm
	(1140116)	1	Control cable	Obsolete part, L=9500mm
	1140117	1	Control cable	L=10000mm
	1140118	1	Control cable	L=11000mm
	(1140119)	1	Control cable	Obsolete part, L=12000mm
	(1140120)	1	Control cable	Obsolete part, L=13000mm
	1140121	1	Control cable	L=14000mm
	(1140122)	1	Control cable	Obsolete part, L=15000mm

MD2010C, MD2010D



17669



Alternator: A

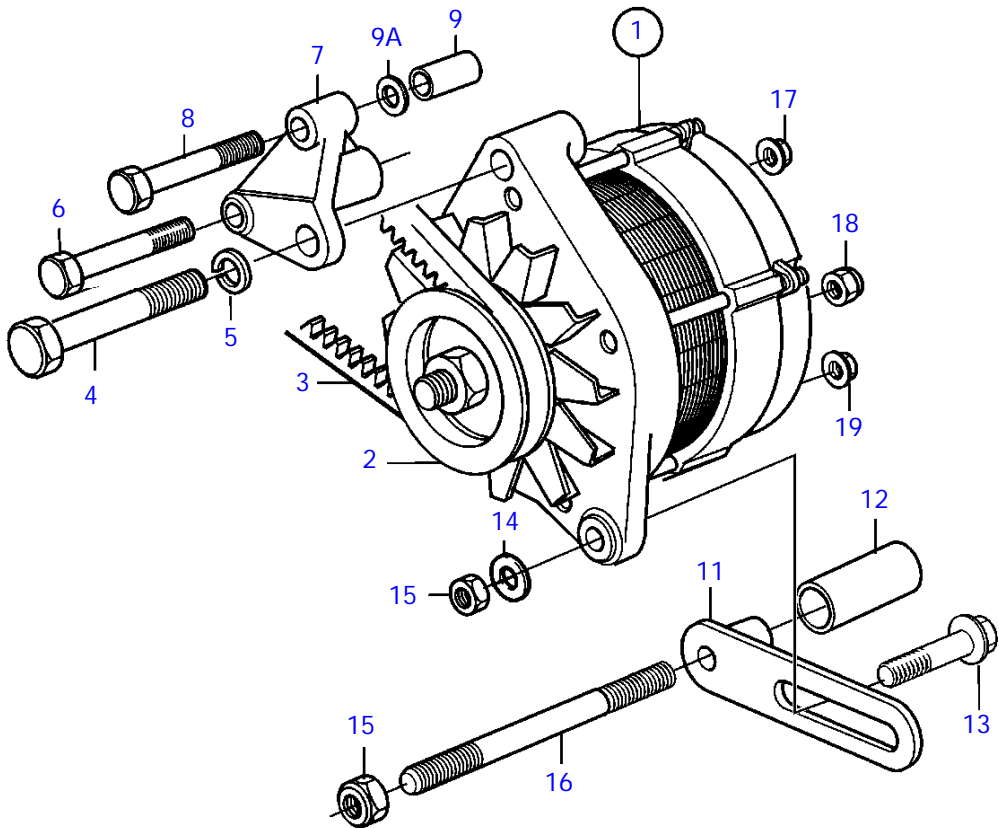
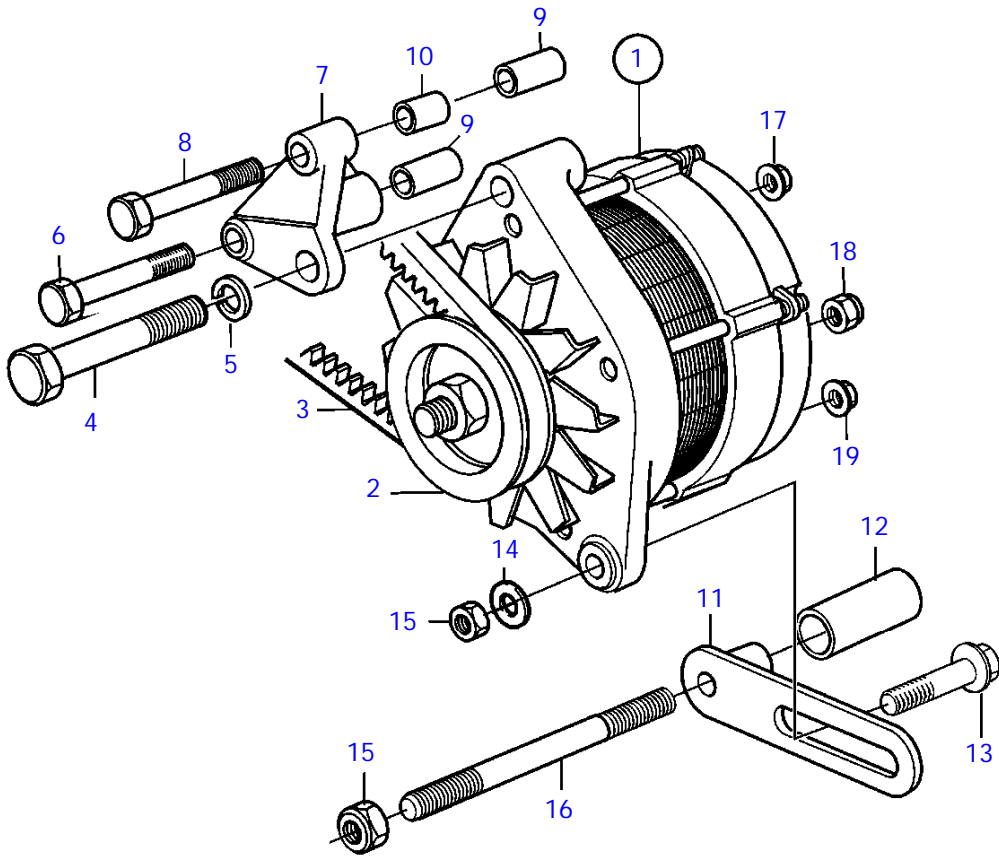
30

MD2010C, MD2010D

REF	PART NO.	QTY	DESCRIPTION	SEE SEC.	NOTES
1	872235	1	Alternator		14V 60A
	3803260	1	Alternator, exch, exch		14V 60A
			.		
			.	448	
2	873343	1	Pulley		Std
3	973534	1	V-belt		
4	955701	1	Hexagon screw		
5	3580015	1	Spring washer		
6	965217	1	Flange screw		L=65mm
7	860666	1	Bracket		
8	969189	1	Flange screw		L=85mm
9	847150	2	Spacer sleeve		
10	843075	1	Spacer sleeve		
11	3580016	1	Tensioner		
12	3580017	1	Sleeve		
13	947760	1	Flange screw		(3580018)
14	3580019	1	Washer		
15	948645	2	Flange lock nut		
16	3580021	1	Stud		
17	945407	1	Flange nut		
18	963103	1	Lock nut		
19	965483	1	Flange nut		



MD2020C, MD2020D



17669

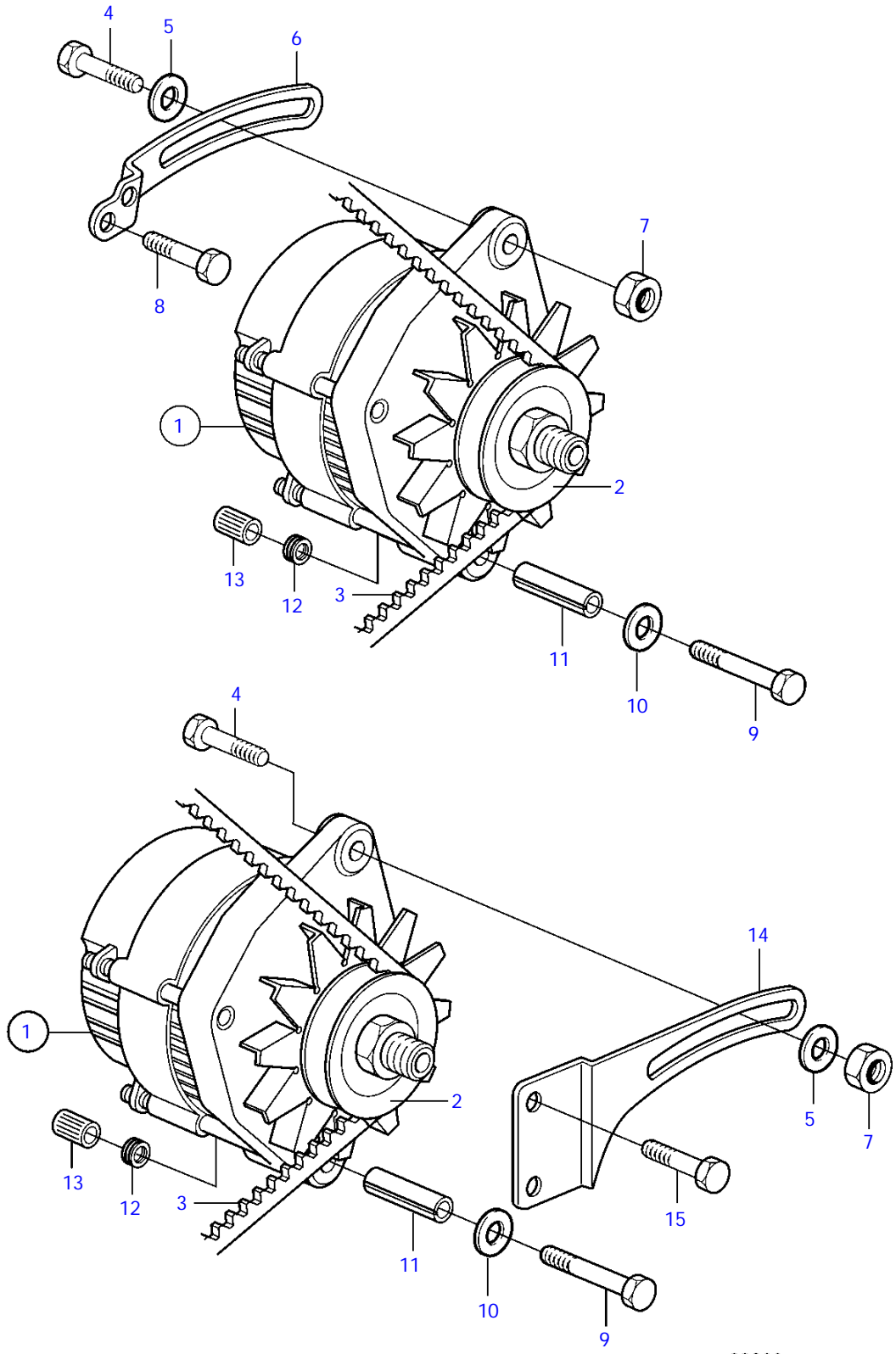
Alternator: B

30

MD2020C, MD2020D

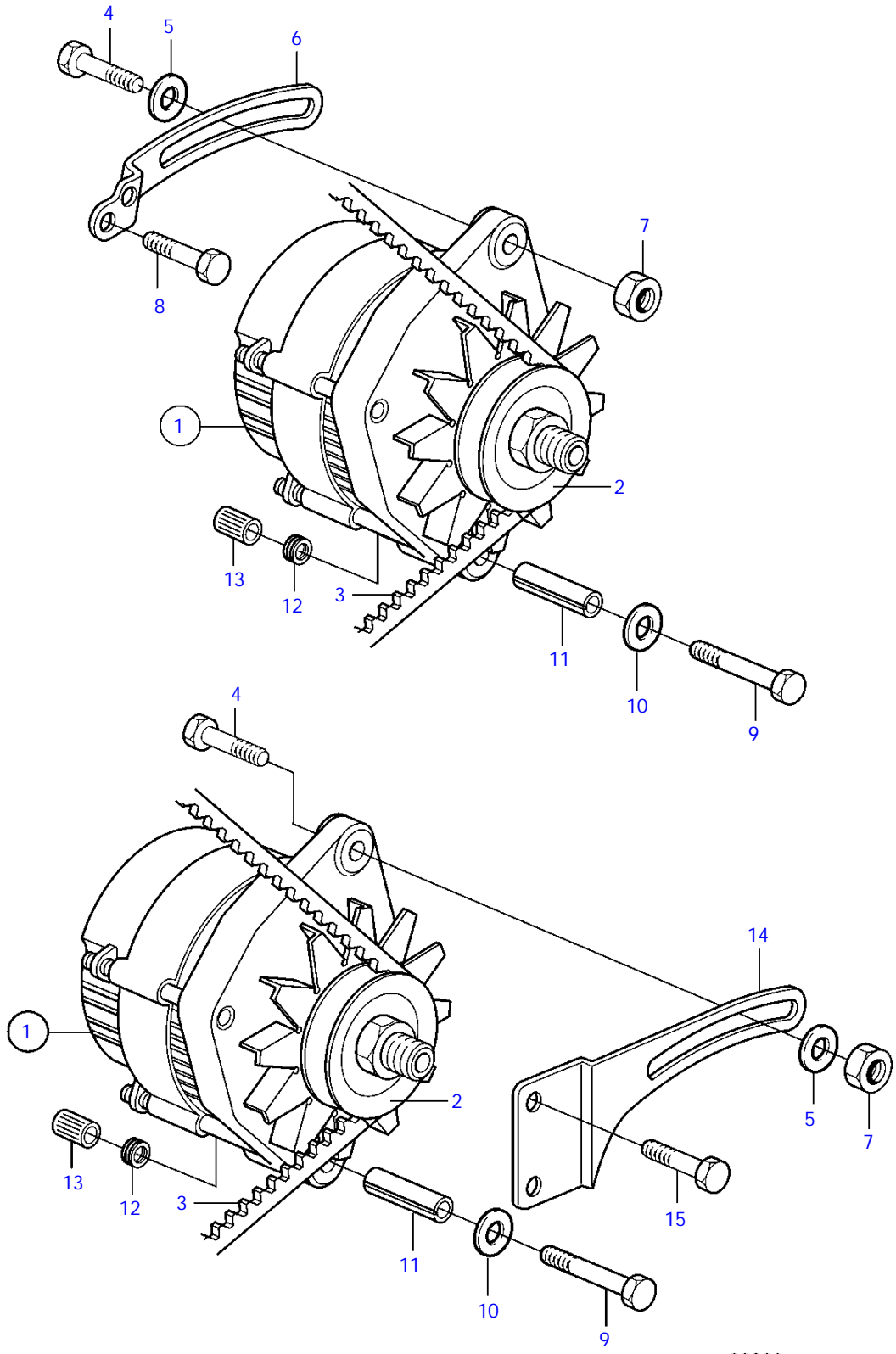
REF	PART NO.	QTY	DESCRIPTION	SEE SEC.	NOTES
1	872235	1	Alternator		14V 60A
	3803260	1	Alternator, exch, exch		14V 60A
			.	448	
2	873343	1	Pulley		Std
3	973534	1	V-belt		
4	955701	1	Hexagon screw		
5	3580015	1	Spring washer		
6	948217	1	Flange screw		L=45mm
7	860666	1	Bracket		
8	965181	1	Flange screw		L=70mm
9A	946048	1	Spacer washer		
11	3580016	1	Tensioner		
13	947760	1	Flange screw		(3580018)
14	3580019	1	Washer		
15	948645	2	Flange lock nut		
16	3580259	1	Stud		
17	945407	1	Flange nut		
18	963103	1	Lock nut		
19	965483	1	Flange nut		

MD2030C, MD2030D



22266

MD2040C, MD2040D



22266

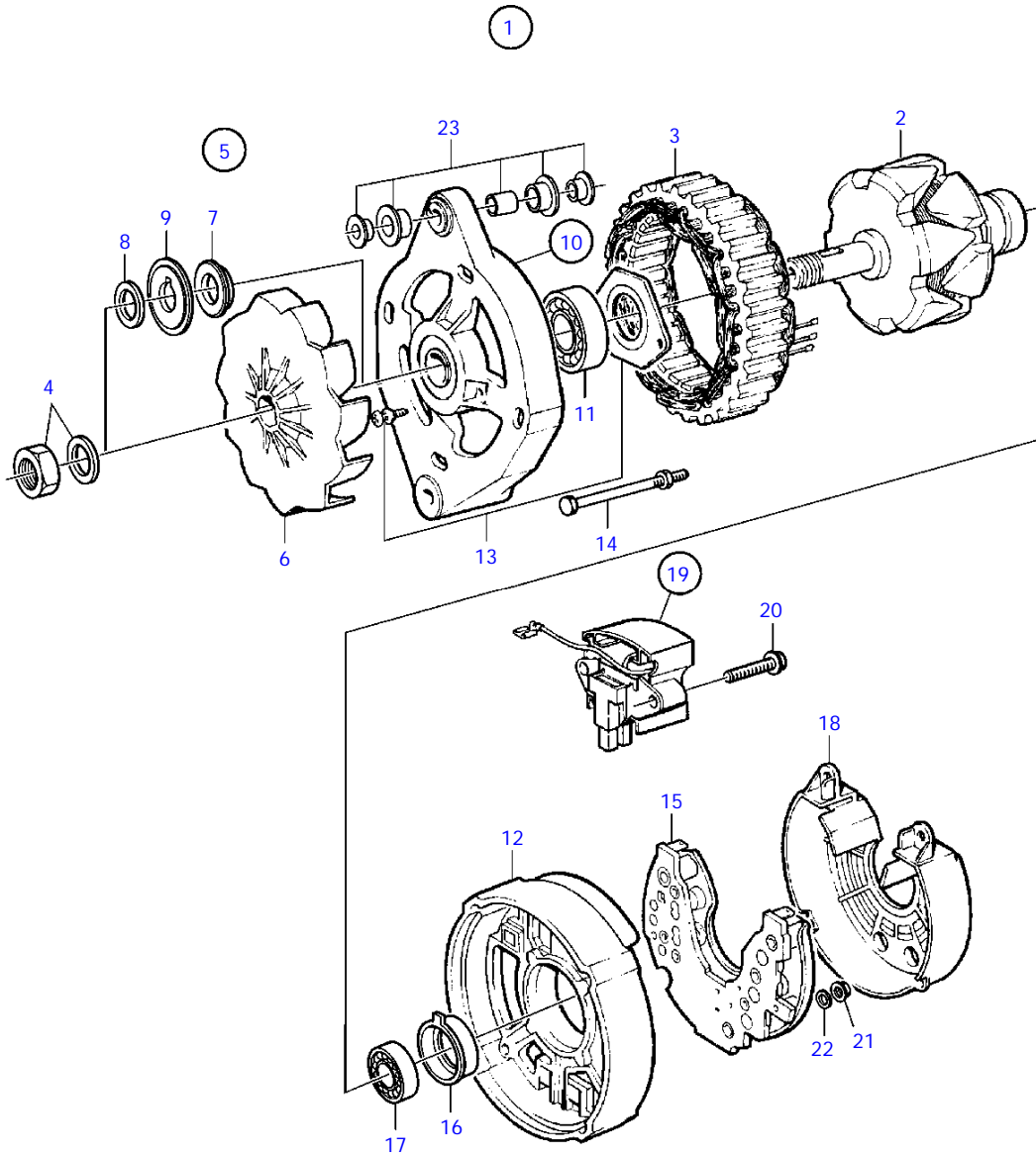


MD2040C, MD2040D

REF	PART NO.	QTY	DESCRIPTION	SEE SEC.	NOTES
1	872235	1	Alternator		14V 60A
	3803260	1	Alternator, exch, exch		14V 60A
			.	448	
2	873344	1	Pulley		Std
3	978710	1	V-belt		
4	947760	1	Flange screw		
5	3580019	1	Washer		
7	948645	1	Flange lock nut		
9	3580014	1	Screw		
10	3580015	1	Spring washer		
11	859819	1	Sleeve		
12		2	Washer		
13	950375	1	Lock nut		
14	3580582	1	Tensioner		
15	946173	2	Flange screw		(861844)



MD2010C, MD2010D, MD2020C, MD2020D, MD2030C, MD2030D, MD2040C, MD2040D

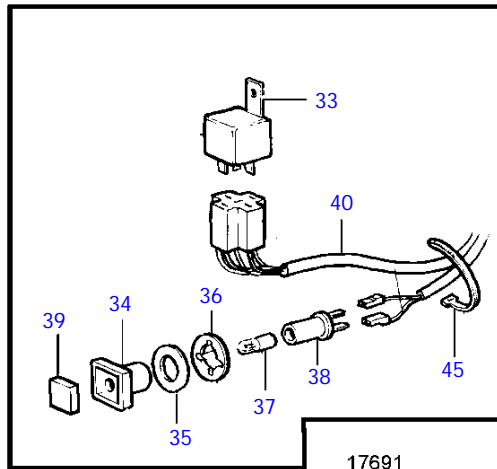
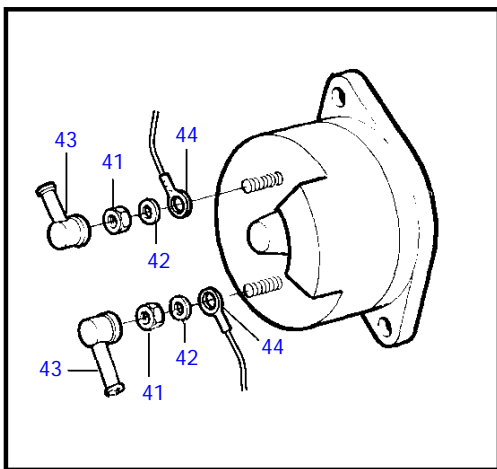
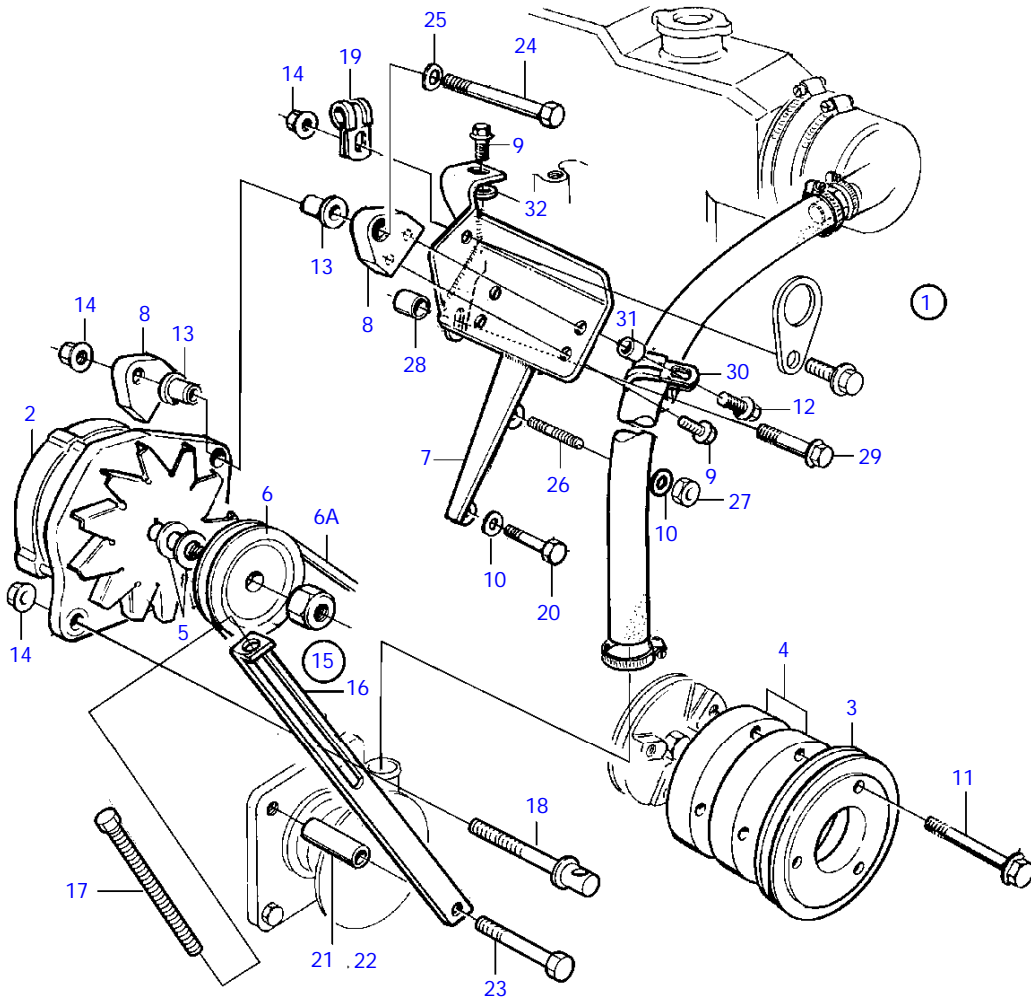


23096

MD2010C, MD2010D, MD2020C, MD2020D, MD2030C, MD2030D, MD2040C, MD2040D

REF	PART NO.	QTY	DESCRIPTION	NOTES
1	872235	1	Alternator	14V 60A
	3803260	1	Alternator, exch, exch	14V 60A
2		1	* Rotor	
3	(873237)	1	* Stator	Obsolete part
4	6212688	1	* Mounting kit	
5	(860281)	1	* Fan kit	Obsolete part
6	860282	1	* * Fan	
7	862897	1	* * Spacer	
8	860284	1	* * Spacer	
9	860283	1	* * Washer	
10		1	* End plate	
11	860432	1	* * Ball bearing	
12		1	* End plate	
13	(840625)	1	* Mounting kit	Obsolete part
14		1	* Screw kit	
15	(1698689)	1	* Diode bridge	Obsolete part
16	(873241)	1	* Bearing carrier	Obsolete part
17	(873239)	1	* Ball bearing	Obsolete part
18	873240	1	* Protecting casing	
19	872720	1	* Governor	
20		2	* * Screw	
21	955779	1	* Hexagon nut	(M4) W
	965483	2	* Flange nut	(M5) D+, B-
	945407	1	* Flange nut	(M6) B-
22	980689	1	* Washer	(For M4) W
23	840634	1	* Guide	

MD2020C, MD2020D, MD2030C, MD2030D

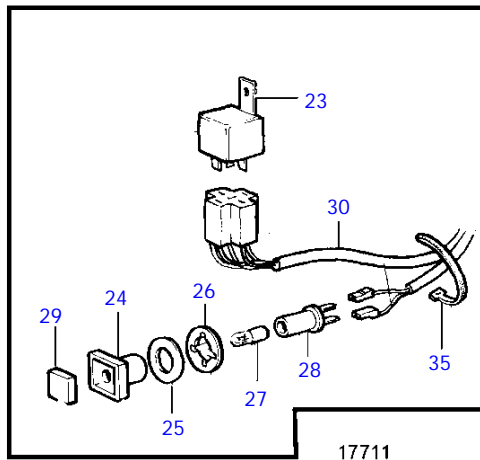
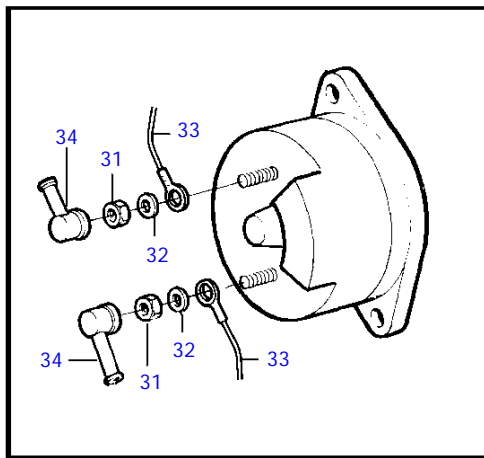
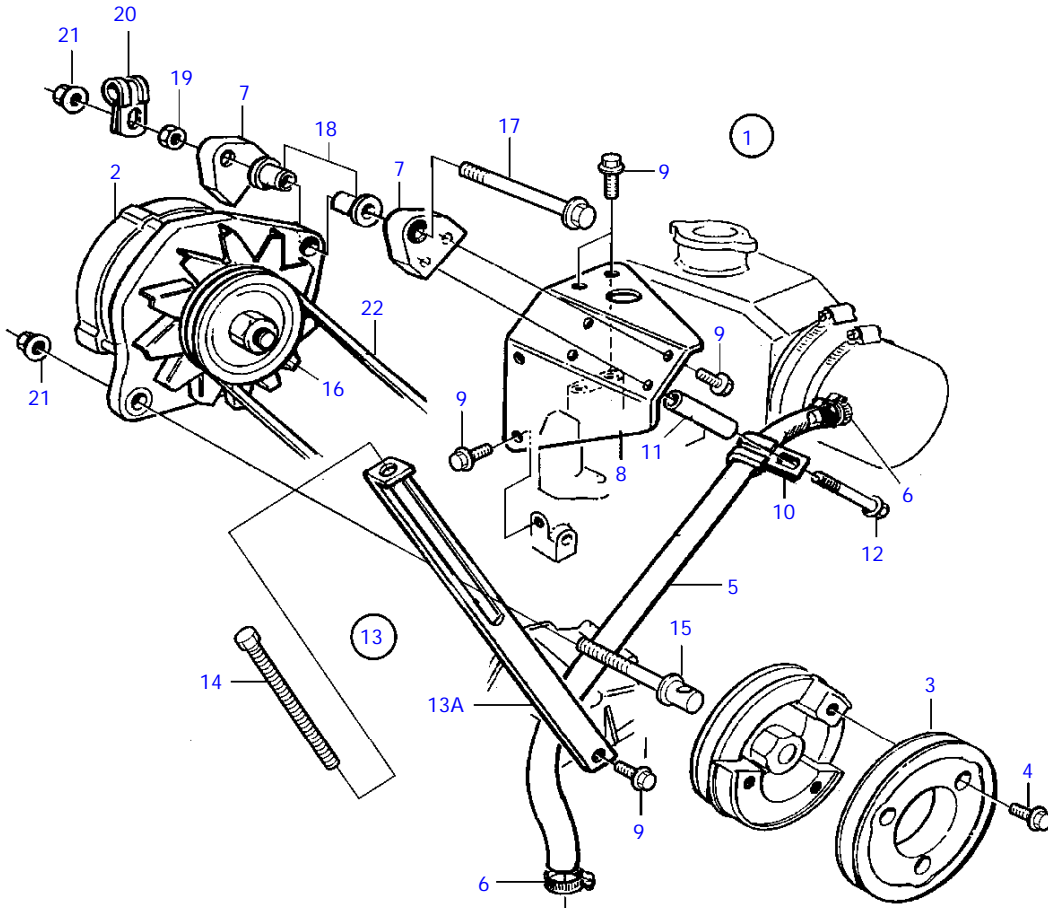


17691

MD2020C, MD2020D, MD2030C, MD2030D

REF	PART NO.	QTY	DESCRIPTION	SEE SEC.	NOTES
1	(3581043)	1	Alternator		Obsolete part
2	872235	1	* Alternator		14V, 60A
	3803260	1	* Alternator, exch, exch		14V, 60A
			* *	448	
3	3581037	1	* Pulley		
4	3581083	2	* Spacer disc		When extra pulley is mounted.
5		2	* Washer		
6	841811	1	* Pulley		
6A	978750	1	V-belt		
7	861142	1	* Bracket		
8	3580749	2	* Anchorage		
9	946440	4	* Flange screw		
10	955893	2	* Washer		
11	965217	3	* Flange screw		
12	945444	1	* Flange screw		
13	859274	2	* Washer		
14	945408	2	* Flange nut		
15	861660	1	* Tensioning arm		
16		1	* * Tensioner		
17	977820	1	* * Hexagon screw		
18	861663	1	* Lock screw		
19	949746	1	* Clamp		
20	955285	1	* Hexagon screw		
21	847239	1	* Spacer sleeve		L=36mm for 2020
22	848694	1	* Spacer sleeve		L=36mm for 2030
23	965184	1	* Flange screw		
24	963233	1	* Hexagon screw		
25	941907	1	* Spring washer		
26	945292	1	* Stud		
27	955781	1	* Hexagon nut		
28	821539	1	* Spacer sleeve		
29	946671	1	* Flange screw		
30	947827	1	* Clamp		
31	807184	1	* Spacer sleeve		
32	961169	2	* Washer		8.4x16x3mm
33	1324492	1	* Relay		
34	838455	1	* Retainer		
35	829714	1	* Sealing ring		
36	967583	1	* Retainer		
37	19923	1	* Bulb		
38	808175	1	* Lamp socket		
39	838457	1	* Symbol strip		
40	838542	1	* Cable trunk		
41	955780	1	* Hexagon nut		M5
	955781	1	* Hexagon nut		M6
42	941905	1	* Spring washer		I.D=5,3mm
	941906	1	* Spring washer		I.D=6,7mm
43	842150	2	* Protective cap		
44	881512	1	* Cable terminal		M5
	940335	1	* Cable terminal		M6
45	948211	10	* Cable tie		

MD2040C, MD2040D

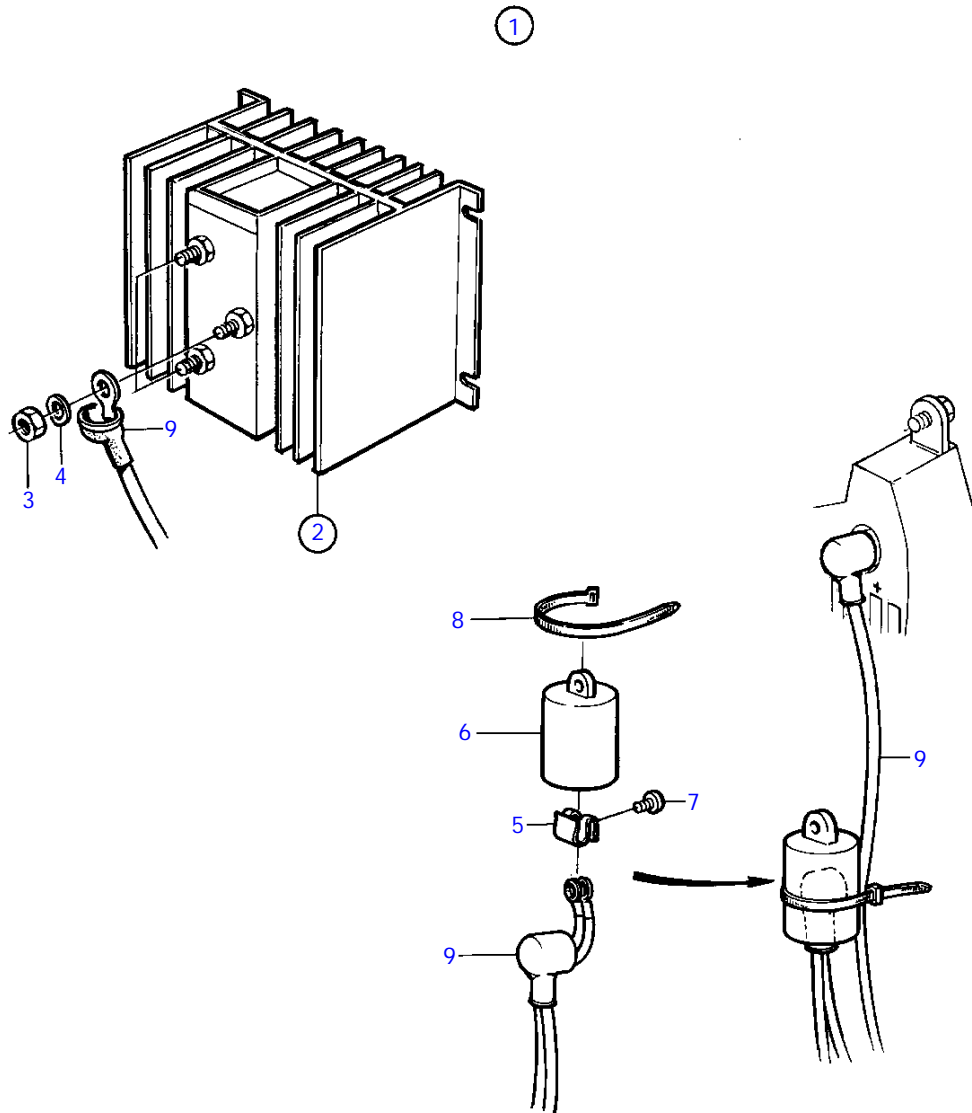


17711

MD2040C, MD2040D

REF	PART NO.	QTY	DESCRIPTION	SEE SEC.	NOTES
1	3581044	1	Alternator		
2	872235	1	* Alternator		14V, 60A
	3803260	1	* Alternator, exch, exch		14V, 60A
			*	448	
3	3581036	1	* * Pulley		
4	965225	3	* * Flange screw		
5	3581082	1	* * Hose		
6	943473	2	* * Hose clamp		
7	3580749	2	* * Anchorage		
8	3580703	1	* * Bracket		
9	946440	7	* * Flange screw		
10	952637	1	* * Clamp		
11	807257	1	* * Spacer sleeve		
12	965180	1	* * Flange screw		
13	861660	1	* * Tensioning arm		
13A		1	* * * Tensioner		
14	977820	1	* * * Hexagon screw		
15	861663	1	* * * Lock screw		
16	841813	1	* * Pulley		
17	968553	1	* * Flange screw		
18	859274	2	* * Washer		
19	955782	1	* * Hexagon nut		
20	949746	1	* * Clamp		
21	945408	2	* * Flange nut		
22	978739	1	* * V-belt		
23	1324492	1	* * Relay		
24	838455	1	* * Retainer		
25	829714	1	* * Sealing ring		
26	967583	1	* * Retainer		
27	19923	1	* * Bulb		
28	808175	1	* * Lamp socket		
29	838457	1	* * Symbol strip		
30	838542	1	* * Cable trunk		
31	955780	1	* * Hexagon nut		M5
	955781	1	* * Hexagon nut		M6
32	941905	1	* * Spring washer		I.D.=5,3mm
	941906	1	* * Spring washer		I.D.=6,7mm
33	881512	1	* * Cable terminal		M5
	940335	1	* * Cable terminal		M6
34	842150	2	* * Protective cap		
35	948211	10	* * Cable tie		

MD2010C, MD2010D, MD2020C, MD2020D, MD2030C, MD2030D, MD2040C, MD2040D

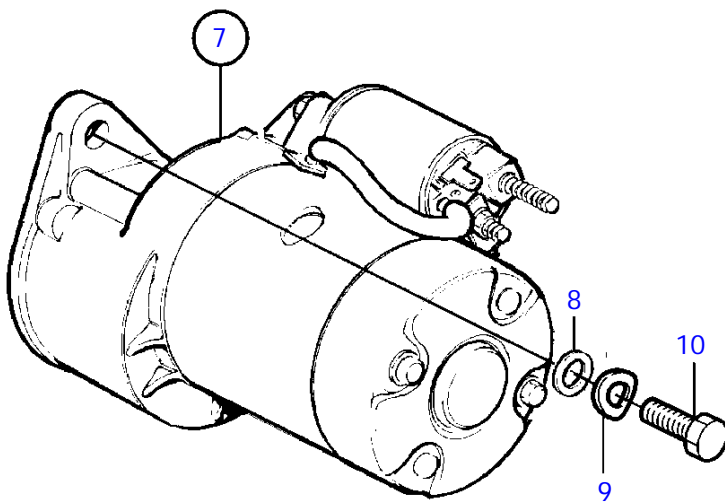
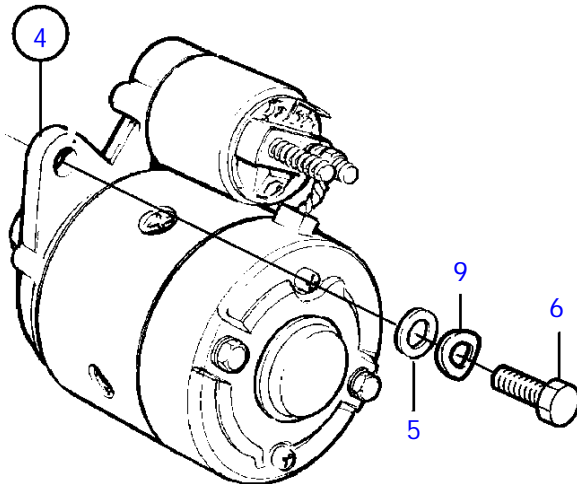
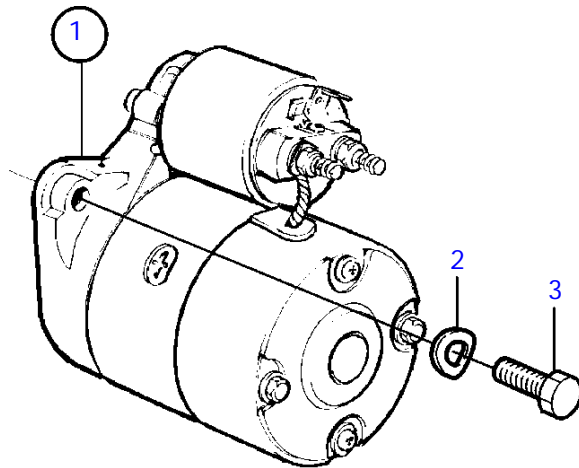


11570

MD2010C, MD2010D, MD2020C, MD2020D, MD2030C, MD2030D, MD2040C, MD2040D

REF	PART NO.	QTY	DESCRIPTION	SEE SEC.	NOTES
1	873120	1	Junction block		For charging of 2 batteries., For alternators 12-28V up to 60A.
			* Bulletin 52-07	52-07-EN	Charging Distributor
			* Bulletin 52-11	52-11-EN	Charging Distributor
2	872928	1	* Junction block		
3	955846	3	* Hexagon nut		
4	941906	3	* Spring washer		
5	859492	1	* Spring nut		
6	859493	1	* Protecting casing		
7	955126	1	* Cross recessed screw		
8	948211	1	* Cable tie		
9		X	electrical materials	1963	

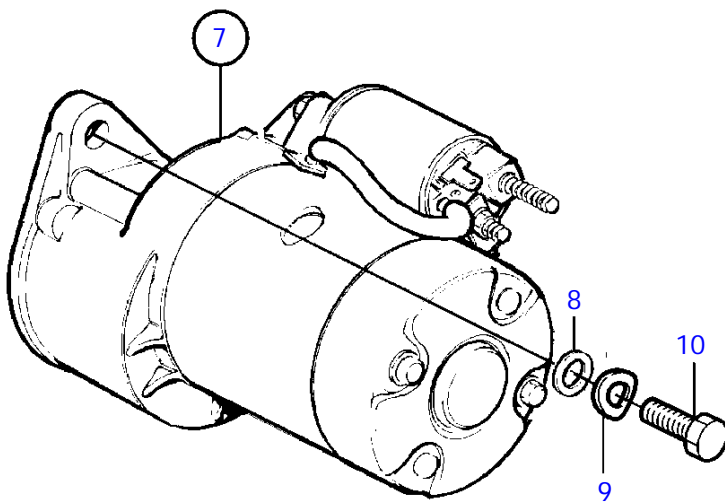
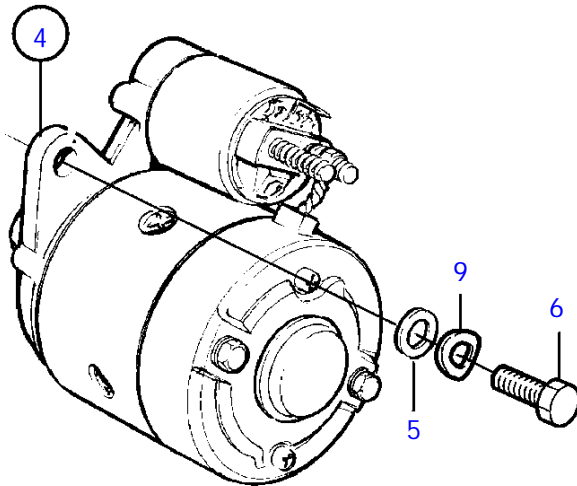
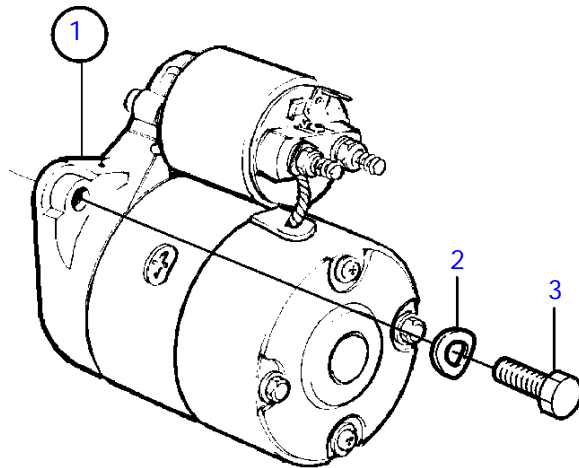
MD2010C, MD2010D, MD2020C, MD2020D



MD2010C, MD2010D, MD2020C, MD2020D

REF	PART NO.	QTY	DESCRIPTION	SEE SEC.
1	861845	1	Starter motor	
			*	
			*	199
2	861847	2	Washer	
3	861846	2	Screw	
4				
			*	256
			parts not sold separately	
7				
			*	257
			parts not sold separately	

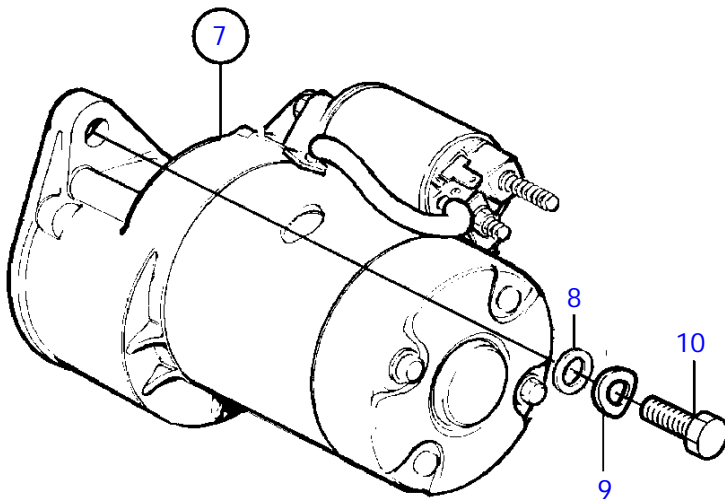
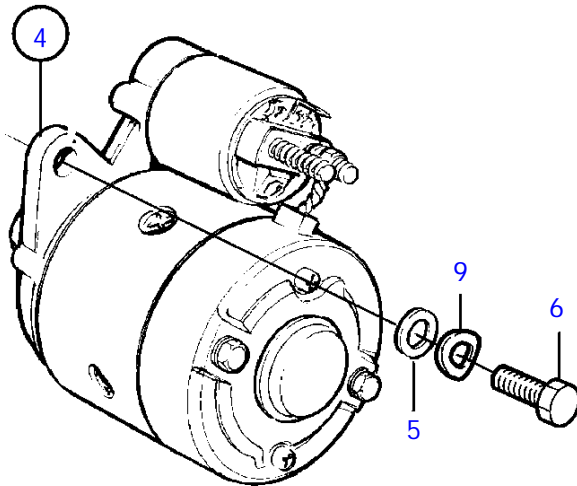
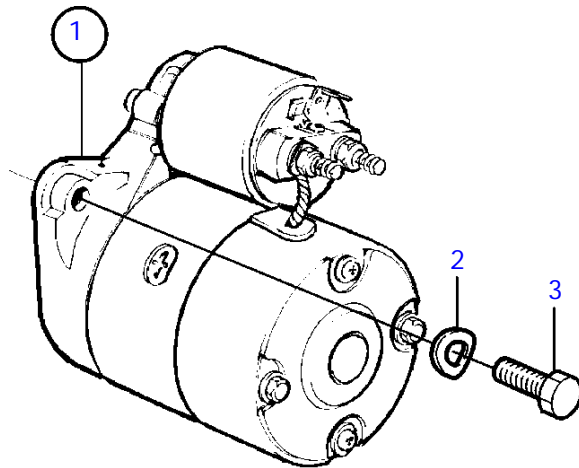
MD2030C, MD2030D



MD2030C, MD2030D

REF	PART NO.	QTY	DESCRIPTION	SEE SEC.	NOTES
1				199	
4	3580295	1	Starter motor		Replaced by 3582514
				256	
	3582514	1	Starter motor		
	3803584	1	Starter motor, exch, exch		
5	3580108	2	Washer		
6	3580296	2	Screw		
7				257	
9	3580015	2	Spring washer		

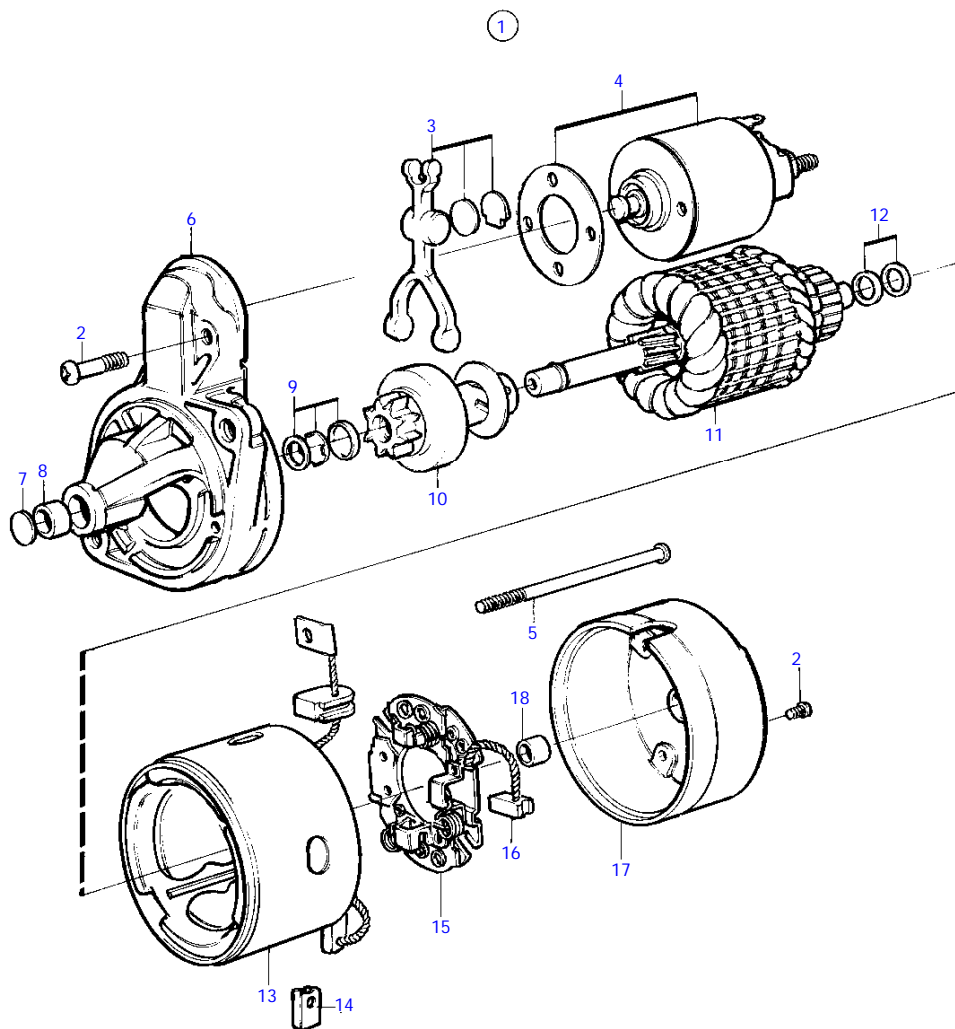
MD2040C, MD2040D



MD2040C, MD2040D

REF	PART NO.	QTY	DESCRIPTION	SEE SEC.	NOTES
1				199	
4				256	
7	3580472	1	Starter motor		Replaced by 3581727
	3581727	1	Starter motor	257	
	3803439	1	Starter motor, exch, exch		
8	3580031	2	Washer		
9	3580015	2	Spring washer		
10	3580109	2	Screw		

MD2010C, MD2010D, MD2020C, MD2020D

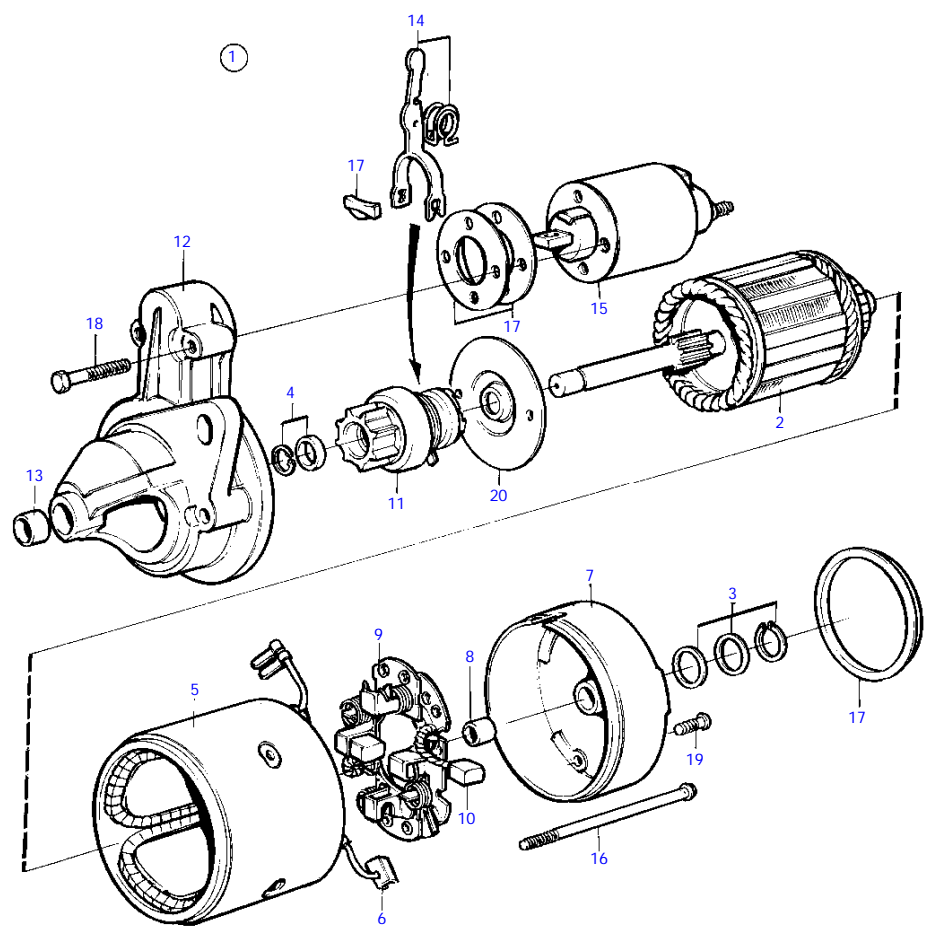


11577

MD2010C, MD2010D, MD2020C, MD2020D

REF	PART NO.	QTY	DESCRIPTION	NOTES
1	861845	1	Starter motor	
2	3580205	1	* Screw kit	
3	3580206	1	* Engagement lever	
4	3580207	1	* Actuator solenoid	
5		2	* Screw	
6		1	* Bearing housing	
7		1	* Washer	
8	3580210	1	* Bushing	
9	3580211	1	* Pinion stop	
10	3580212	1	* Starter pinion	
11		1	* Rotor	
12	(3580214)	1	* Washer kit	Obsolete part
13		1	* Field winding	
14	3580216	2	* Carbon brush	
15	3580217	1	* Brush retainer plate	
16	3580219	1	* Carbon brush	
17		1	* Commutator bearing	
18	3580221	1	* Bushing	

MD2030C, MD2030D



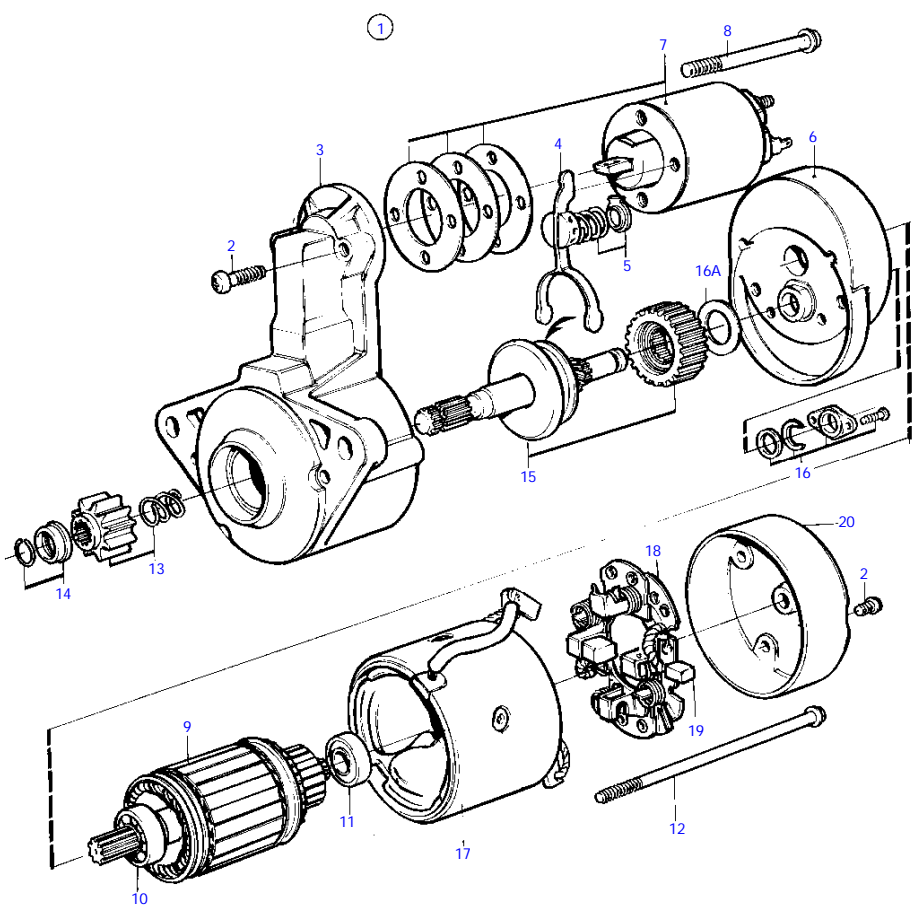
11676



MD2030C, MD2030D

REF	PART NO.	QTY	DESCRIPTION	NOTES
1	3582514	1	Starter motor	
	3803584	1	Starter motor, exch, exch * parts not sold separately	
	3580295	1	Starter motor	Replaced by 3582514
2		1	* Rotor	
3	3580432	1	* Thrust washer kit	
4	3580433	1	* Pinion stop	
5		1	* Field winding	
6	3580436	2	* * Carbon brush	
7		1	* Commutator bearing	
8	3580438	1	* * Bushing	
9	3580439	1	* Brush retainer plate	
10	3580440	2	* * Carbon brush	
11	3580442	1	* Starter pinion	
12		1	* Bearing housing	
13	3580444	1	* * Bushing	
14	(3580445)	1	* Engagement lever	Obsolete part
15	3580446	1	* Actuator solenoid	
16		2	* Screw	
17	3580448	1	* Set	
18	3580449	2	* Screw	
19	(3580450)	2	* Screw	Obsolete part
20		1	* Intermediate bearing	

MD2040C, MD2040D

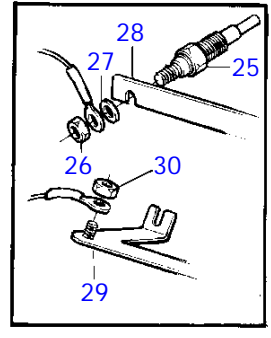
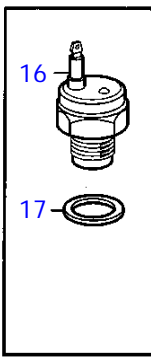
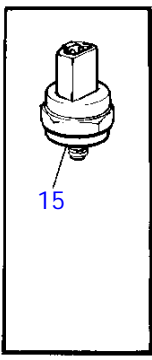
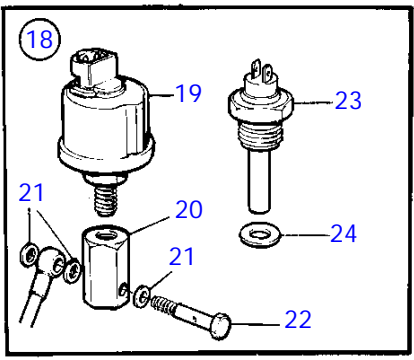
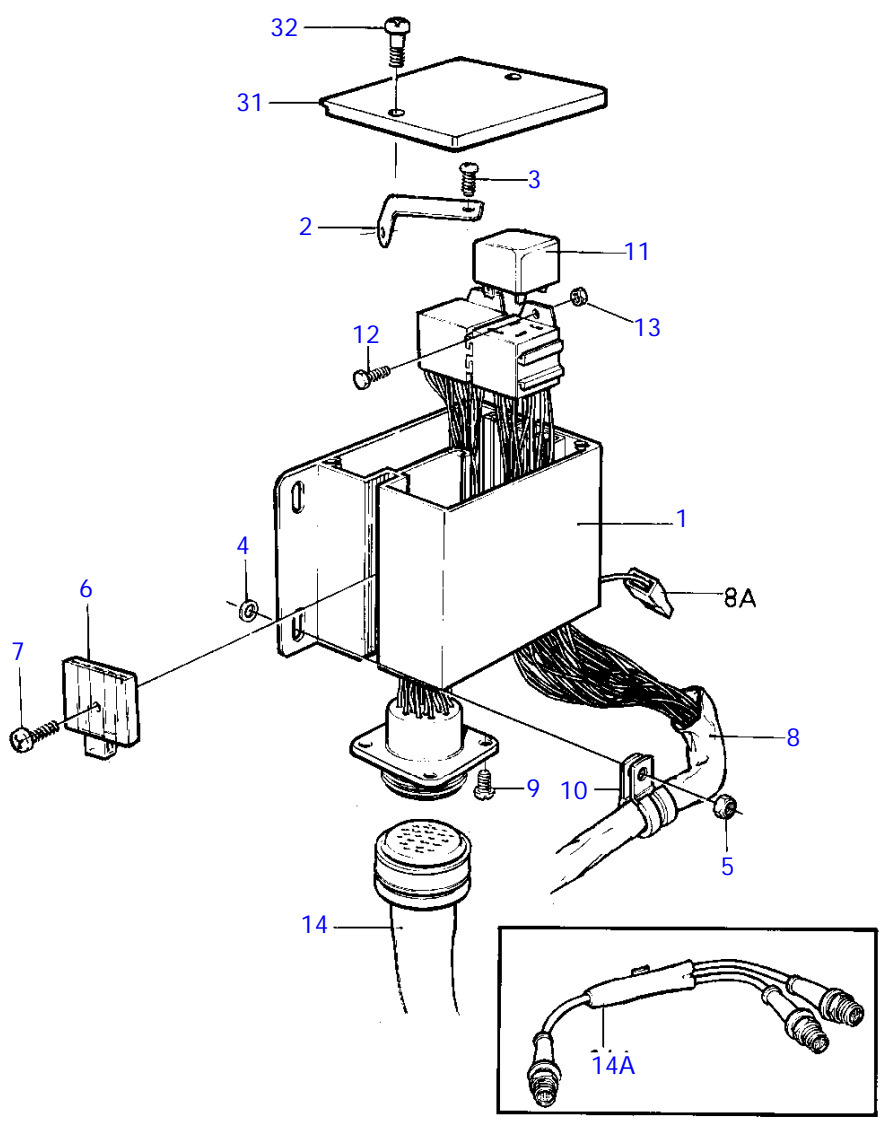


11675

MD2040C, MD2040D

REF	PART NO.	QTY	DESCRIPTION	NOTES
1	3580472	1	Starter motor	
2		1	* Screw kit	
3		1	* Bearing housing	
4		1	* Engagement lever	
5	(3580641)	1	* Spring	Obsolete part
6		1	* Gear housing	
7	(3580643)	1	* Actuator solenoid	Obsolete part
8		1	* Screw	
9		1	* Rotor	
10	(3580646)	1	* Bearing	Obsolete part
11	(3580647)	1	* Bearing	Obsolete part
12		2	* Screw	
13	3580650	1	* Starter pinion	
14		1	* Pinion stop	
15	3580652	1	* Gear	
16	(3580655)	1	* Washer kit	Obsolete part
16A		1	* Washer	
17		1	* Field winding	
18	(3580657)	1	* Brush retainer	Obsolete part
19		4	* Spring	
20		1	* Commutator bearing	

MD2010C, MD2010D



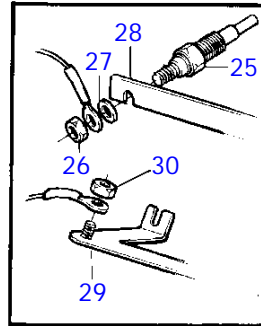
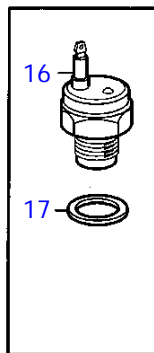
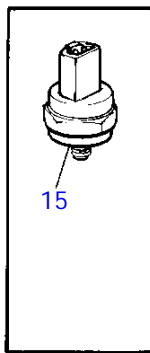
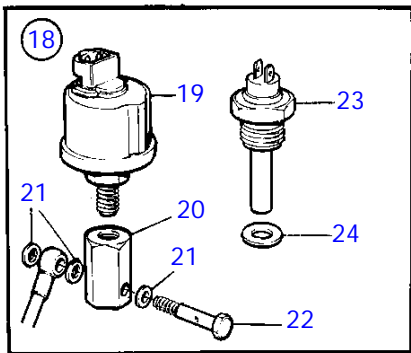
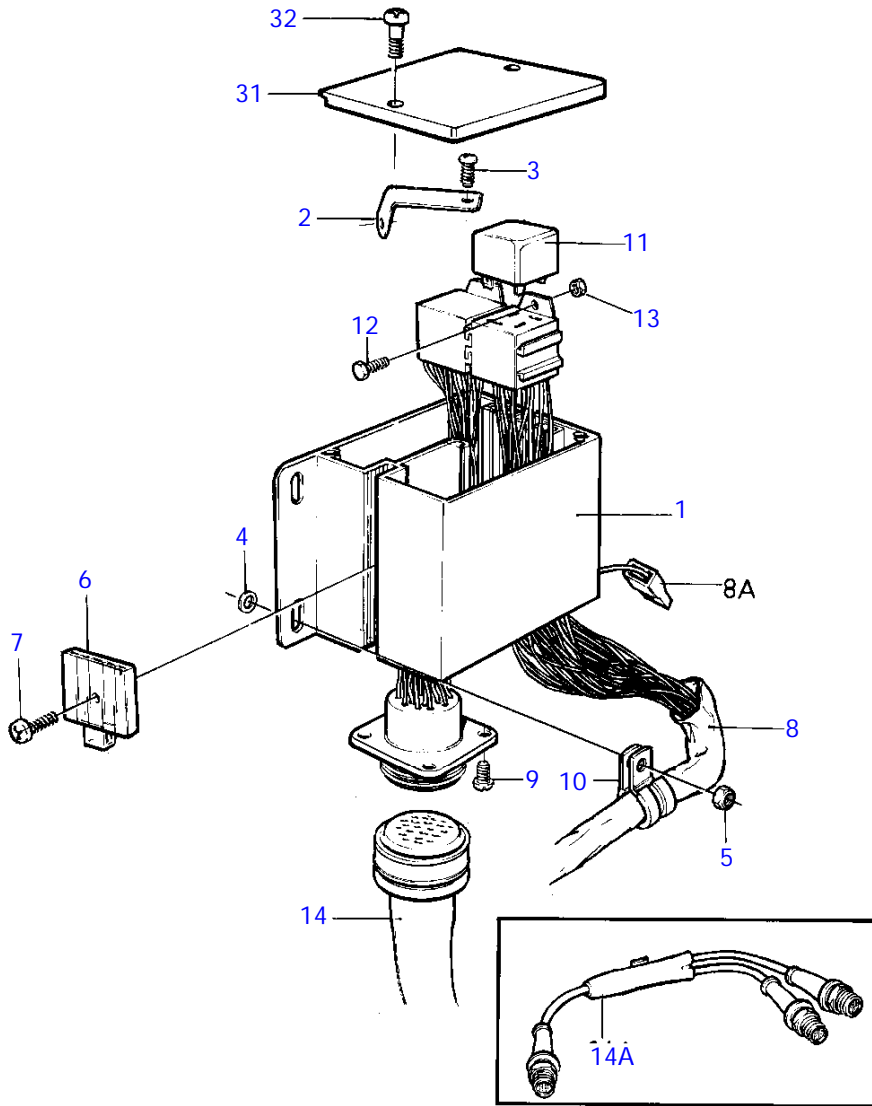
16174



MD2010C, MD2010D

REF	PART NO.	QTY	DESCRIPTION	NOTES
1	861648	1	Electrical distribut	
2	3580947	1	Stay	
3	955119	1	Cross recessed screw	
4		2	Washer	
5	945407	2	Flange nut	
6	873566	1	Fuse box	
7	955142	1	Cross recessed screw	
8	873565	1	Wiring harness	
9	955119	4	Cross recessed screw	
10	952627	1	Clamp	
11	873765	2	Relay	12V 20-30A (873604)
12	948663	2	Flange screw	
13	955780	2	Hexagon nut	
14	846648	1	Extension cable'verl	L=3.0m
	846649	1	Extension cable'verl	L=5.0m
	846650	1	Extension cable'verl	L=7.0m
	873838	1	Extension cable'verl	L=9.0m
	873839	1	Extension cable'verl	L=11.0m
14A	1140598	X	Distributing contact	For double steering positions.
15	873597	1	Pressure monitor	
16	873598	1	Thermo monitor	95°C
17	947622	1	Gasket	
18	873569	1	Sensor kit	
19	366906	1	* Pressure sensor	0-10BAR
20	861388	1	* Adapter	
21	947620	3	* Gasket	
22	861389	1	* Hollow screw	
23	827151	1	* Temperature sensor	120°C
24	947624	1	* Gasket	
25	3583025	2	Glow plug	
26		2	* Nut	
27		2	* Washer	
28	3580085	1	Current bar	
29			Current bar	Not used with MD2010C, MD2010D, MD2020C, MD2020D, MD2030C or MD2030D.
30			Nut	Not used with MD2010C, MD2010D, MD2020C, MD2020D, MD2030C or MD2030D.
31	861681	1	Cardboard tube	
32	955142	2	Cross recessed screw	

MD2020C, MD2020D, MD2030C, MD2030D

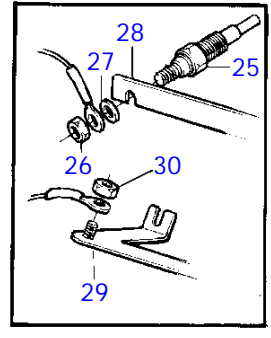
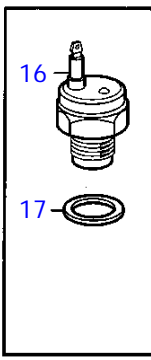
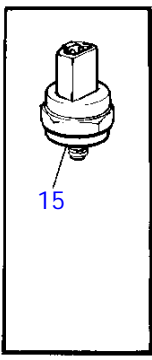
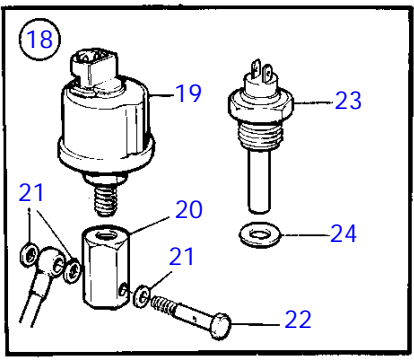
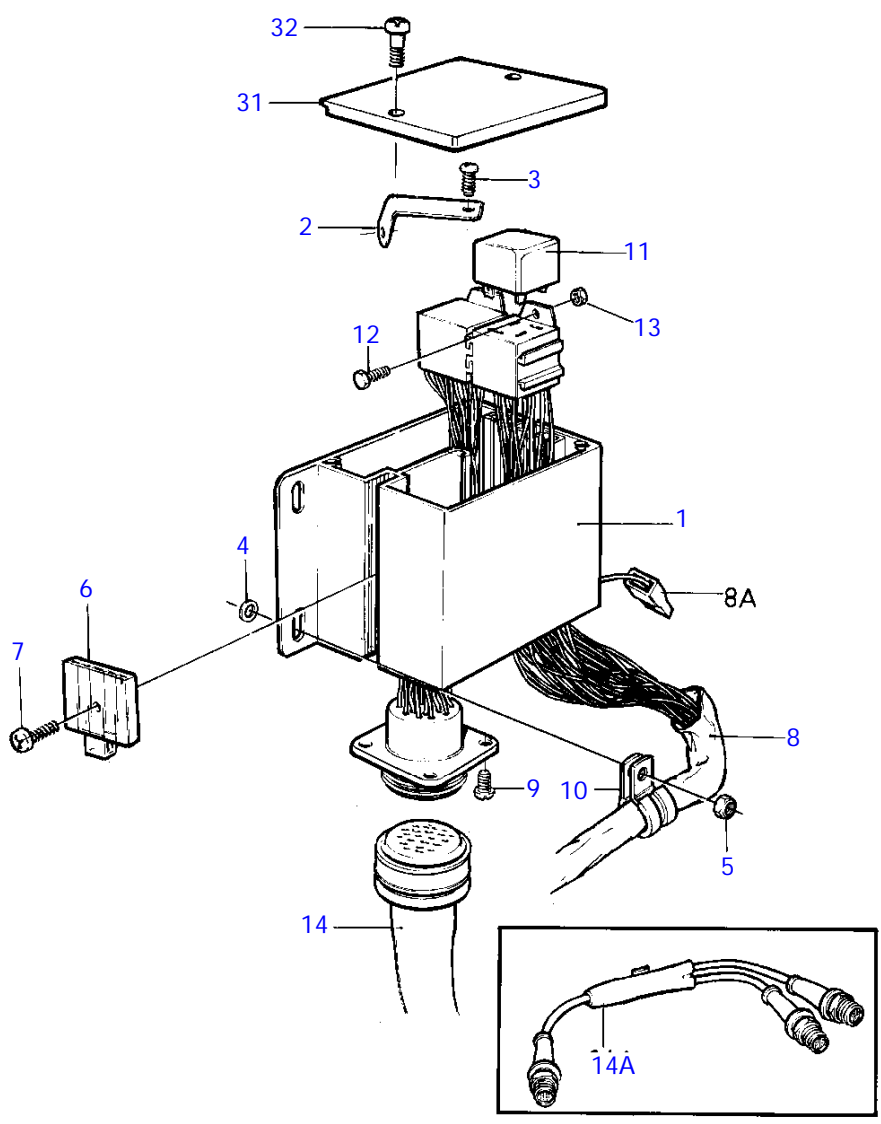


16174

MD2020C, MD2020D, MD2030C, MD2030D

REF	PART NO.	QTY	DESCRIPTION	NOTES
1	861648	1	Electrical distribut	
2	3580947	1	Stay	MD2020B, MD2020C
	3580948	1	Stay	MD2030B, MD2030C
3	955119	1	Cross recessed screw	
4		2	Washer	
5	945407	2	Flange nut	
6	873566	1	Fuse box	
7	955142	1	Cross recessed screw	
8	873565	1	Wiring harness	
9	955119	4	Cross recessed screw	
10	952627	1	Clamp	
11	873765	2	Relay	12V 20-30A (873604)
12	948663	2	Flange screw	
13	955780	2	Hexagon nut	
14	846648	1	Extension cable'verl	L=3.0m
	846649	1	Extension cable'verl	L=5.0m
	846650	1	Extension cable'verl	L=7.0m
	873838	1	Extension cable'verl	L=9.0m
	873839	1	Extension cable'verl	L=11.0m
14A	1140598	X	Distributing contact	For double steering positions.
15	873597	1	Pressure monitor	
16	873598	1	Thermo monitor	95°C
17	947622	1	Gasket	
18	873569	1	Sensor kit	
19	366906	1	* Pressure sensor	0-10BAR
20	861388	1	* Adapter	
21	947620	3	* Gasket	
22	861389	1	* Hollow screw	
23	827151	1	* Temperature sensor	120°C
24	947624	1	* Gasket	
25	3583025	3	Glow plug	
26		3	* Nut	
27		3	* Washer	
28	3580267	1	Current bar	MD2020B, MD2020C
	3580391	1	Current bar	MD2030B, MD2030C
29			Current bar	Not used with MD2010C, MD2010D, MD2020C, MD2020D, MD2030C or MD2030D.
30			Nut	Not used with MD2010C, MD2010D, MD2020C, MD2020D, MD2030C or MD2030D.
31	861681	1	Cardboard tube	
32	955142	2	Cross recessed screw	

MD2040C, MD2040D



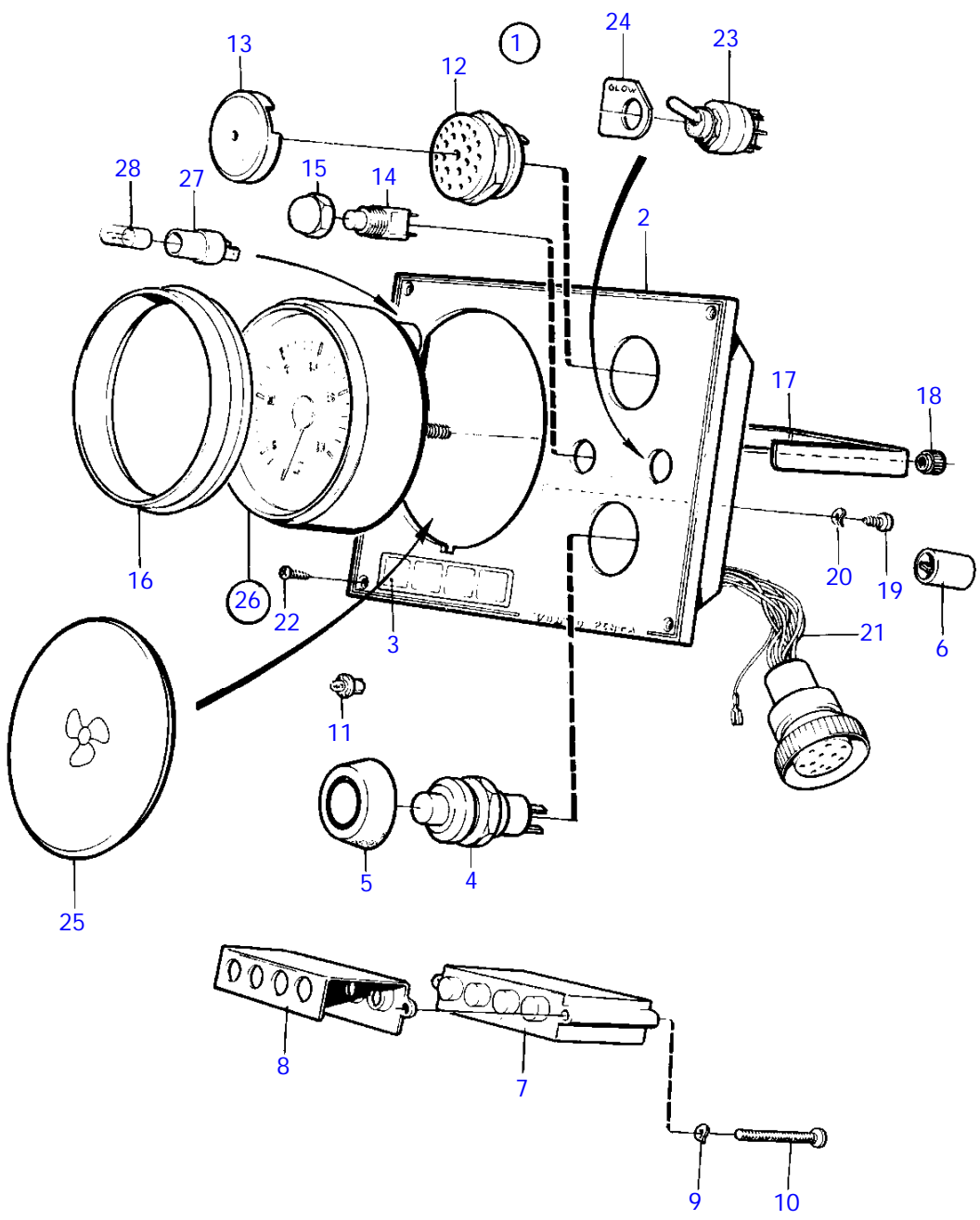
16174



MD2040C, MD2040D

REF	PART NO.	QTY	DESCRIPTION	NOTES
1	861648	1	Electrical distribut	
2	3580949	1	Stay	
3	955119	1	Cross recessed screw	
4		2	Washer	
5	945407	2	Flange nut	
6	873566	1	Fuse box	
7	955142	1	Cross recessed screw	
8	873565	1	Wiring harness	
9	955119	4	Cross recessed screw	
10	952627	1	Clamp	
11	873765	2	Relay	12V 20-30A (873604)
12	948663	2	Flange screw	
13	955780	2	Hexagon nut	
14	846648	1	Extension cable'verl	L=3.0m
	846649	1	Extension cable'verl	L=5.0m
	846650	1	Extension cable'verl	L=7.0m
	873838	1	Extension cable'verl	L=9.0m
	873839	1	Extension cable'verl	L=11.0m
14A	1140598	X	Distributing contact	For double steering positions.
15	873597	1	Pressure monitor	
16	873598	1	Thermo monitor	95°C
17	947622	1	Gasket	
18	873569	1	Sensor kit	
19	366906	1	* Pressure sensor	0-10BAR
20	861388	1	* Adapter	
21	947620	3	* Gasket	
22	861389	1	* Hollow screw	
23	827151	1	* Temperature sensor	120°C
24	947624	1	* Gasket	
25	3583025	3	Glow plug	
26		2	* Nut	
27		2	* Washer	
28			Current bar	Not used with MD2040C or MD2040D.
29	3580597	1	Current bar	
30		1	Nut	
31	861681	1	Cardboard tube	
32	955142	2	Cross recessed screw	

MD2010C, MD2010D, MD2020C, MD2020D, MD2030C, MD2030D, MD2040C, MD2040D



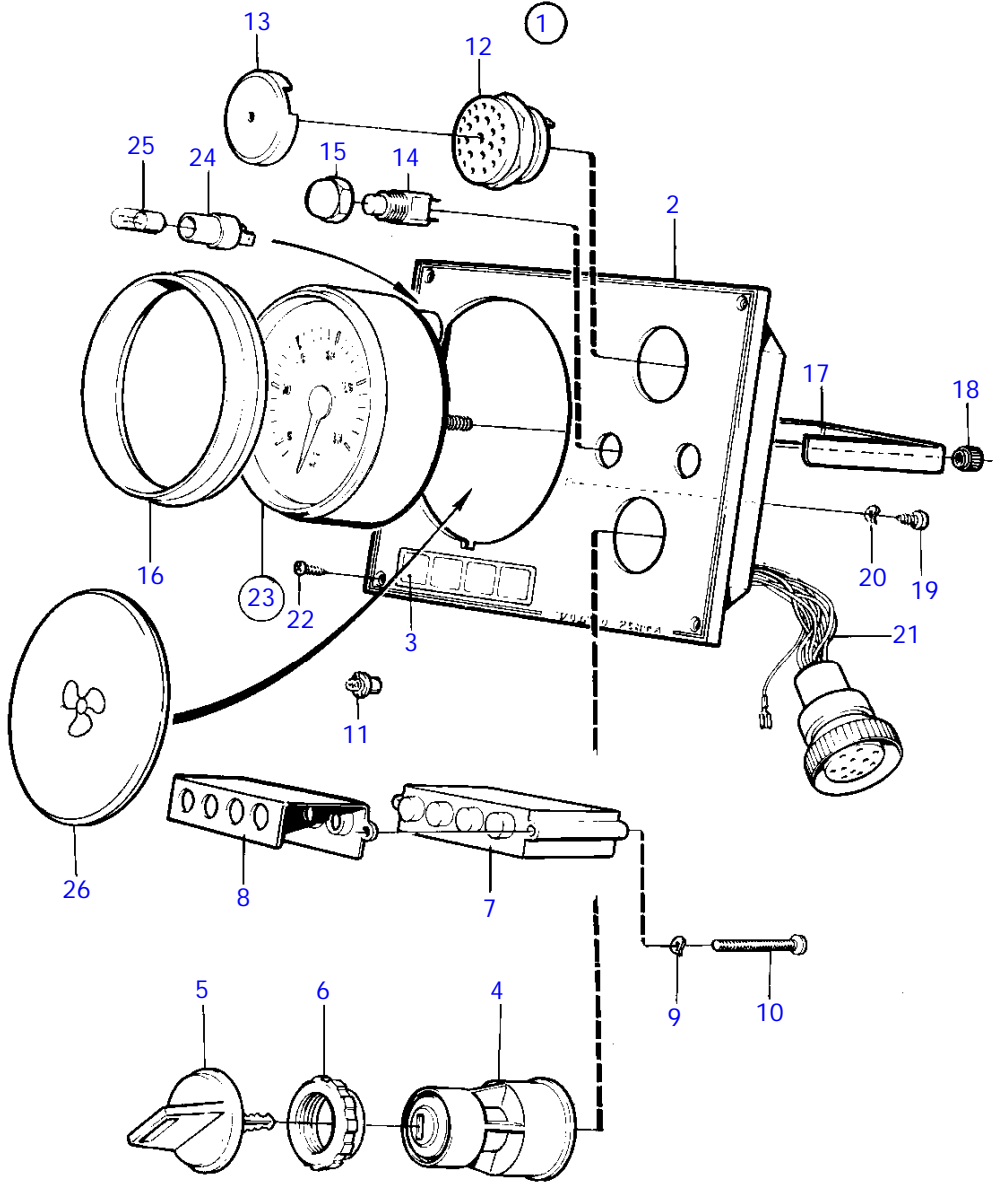
15874



MD2010C, MD2010D, MD2020C, MD2020D, MD2030C, MD2030D, MD2040C, MD2040D

REF	PART NO.	QTY	DESCRIPTION	NOTES
1	873594	1	Instrument panel	
2	872798	1	* Instrument panel	
3	858645	1	* Symbol strip	
4	843684	1	* Button	
5	837533	1	* Rubber cap	
6		1	* Diode	State key code when ordering., (1624394)
7	873737	1	* Electronic unit	
8	828784	1	* Reflector	
9	941904	2	* Spring washer	
10	(941615)	2	* Cross recessed screw	Obsolete part
11	19923	4	* Bulb	12V
12	828587	1	* Buzzer	
13	858795	1	* Protecting casing	
14	828585	1	* Toggle switch	Instr. light
15	828586	1	* Nut	
16	873517	1	* Ring	
17	873208	1	* Brace kit	
18		2	* Nut	
19	949947	1	* Cross recessed screw	
20	941904	1	* Spring washer	
21	873560	1	* Cable kit	
22	828647	4	* Screw	
23	872800	1	* Toggle switch	
24	872771	1	* Decal	
25	858648	1	Closure	Alt
26	873992	1	Tachometer kit	4600 rpm
27	863945	1	* Lamp socket	
28	863946	1	* Bulb	12V

MD2010C, MD2010D, MD2020C, MD2020D, MD2030C, MD2030D, MD2040C, MD2040D



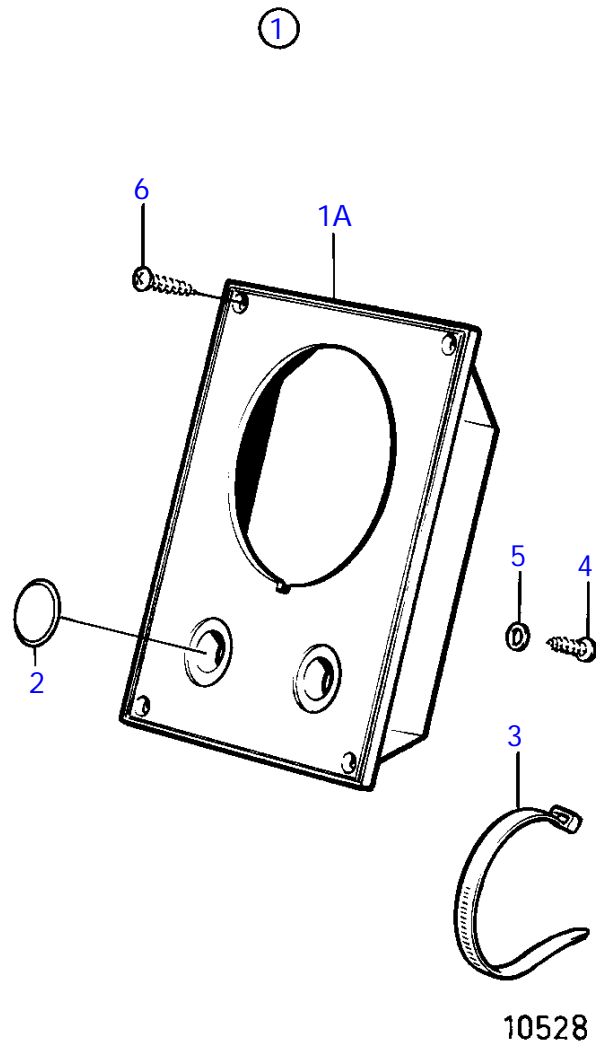
16147



MD2010C, MD2010D, MD2020C, MD2020D, MD2030C, MD2030D, MD2040C, MD2040D

REF	PART NO.	QTY	DESCRIPTION	SEE SEC.	NOTES
1	3587077	1	Instrument panel		(873593)
2	860183	1	* Instrument panel		
3	858645	1	* Symbol strip		
4	3587072	1	* Starter switch		(864277)
5	859953	2	* * Key		State key code when ordering.
			* Bulletin 49-30	49-30-EN	Key P/N 859953
6	859955	1	* * Plastic nut		
7	873737	1	* Electronic unit		
8	828784	1	* Reflector		
9	941904	2	* Spring washer		
10	(941615)	2	* Cross recessed screw		Obsolete part
11	19923	4	* Bulb		12V
12	828587	1	* Buzzer		
13	858795	1	* Protecting casing		
14	828584	1	* Toggle switch		Alarm test
	828585	1	* Toggle switch		Instr. light
15	828586	2	* Nut		
16	873517	1	* Ring		
17	873208	1	* Brace kit		
18		2	* * Nut		
19	949947	1	* Cross recessed screw		
20	941904	1	* Spring washer		
21	828648	1	* Cable kit		
22	828647	4	* Screw		
23	873992	1	Tachometer kit		4600 rpm
24	863945	1	* Lamp socket		
25	863946	1	* Bulb		12V
26	858648	1	Closure		Alt

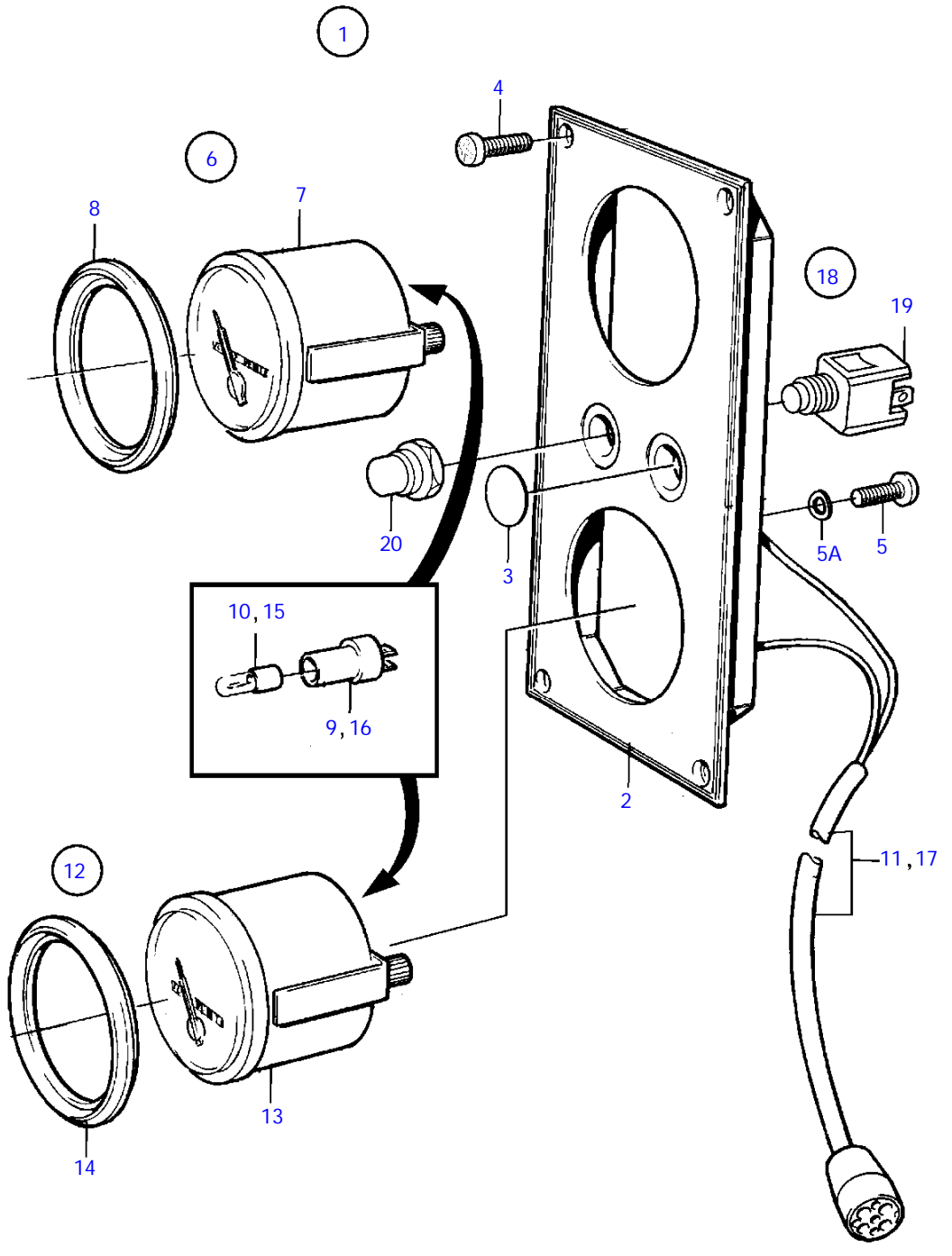
MD2010C, MD2010D, MD2020C, MD2020D, MD2030C, MD2030D, MD2040C, MD2040D



MD2010C, MD2010D, MD2020C, MD2020D, MD2030C, MD2030D, MD2040C, MD2040D

REF	PART NO.	QTY	DESCRIPTION	NOTES
1	(858873)	1	Instrument panel	For instruments with D=52mm., Obsolete part
1A	(858873)	1	* Instrument panel	Replaced by 858873, Obsolete part
2	828607	2	* Cover plate	
3	949666	1	* Cable tie	
4	949947	1	* Cross recessed screw	
5	941904	1	* Spring washer	
6	828647	4	* Screw	

MD2010C, MD2010D, MD2020C, MD2020D, MD2030C, MD2030D, MD2040C, MD2040D



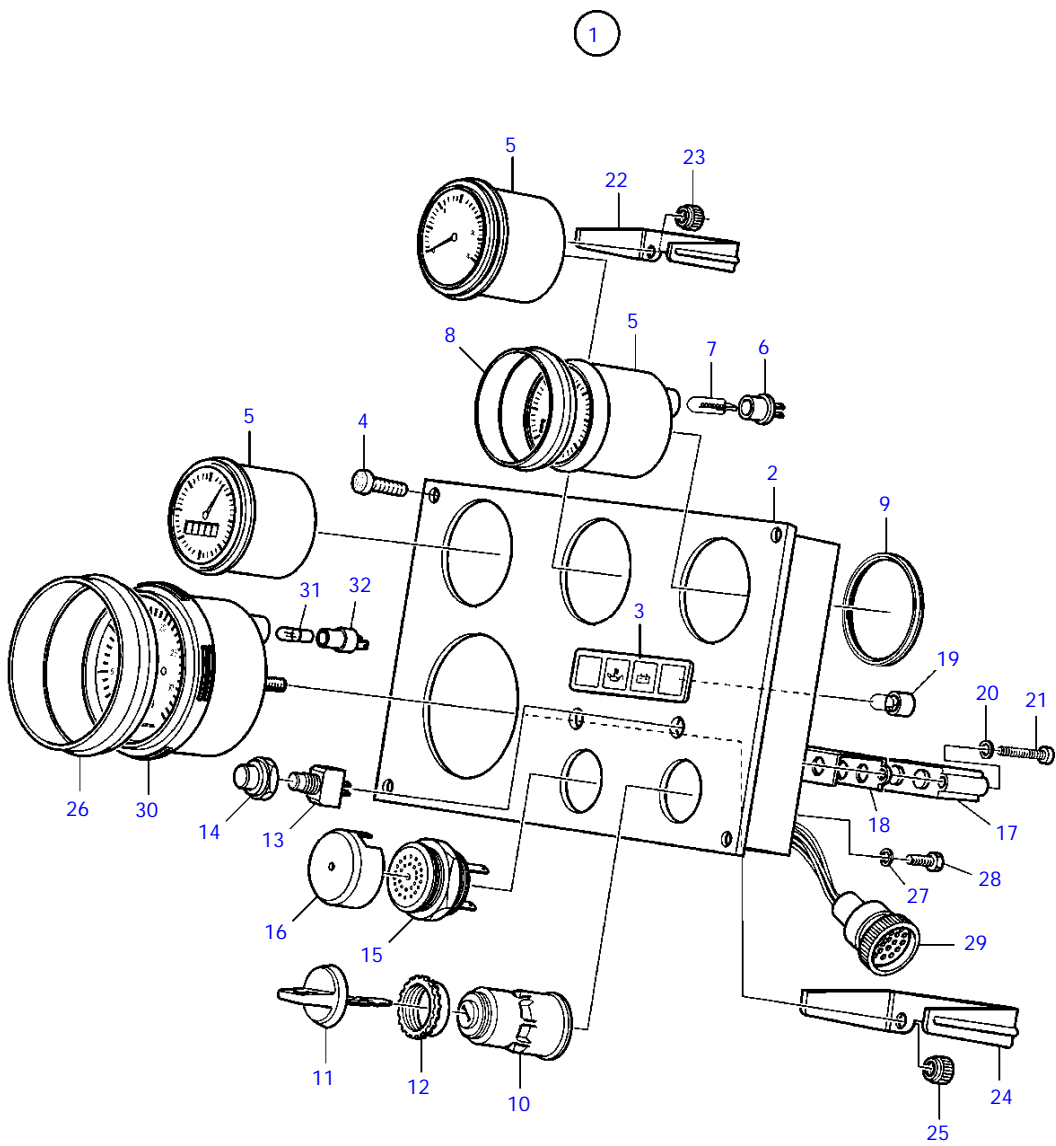
18577



MD2010C, MD2010D, MD2020C, MD2020D, MD2030C, MD2030D, MD2040C, MD2040D

REF	PART NO.	QTY	DESCRIPTION	SEE SEC.	NOTES
1	(858874)	1	Instrument panel		For instruments with D=52mm., Obsolete part
2		1	* Instrument panel		
3	828607	2	* Cover plate		
4	828647	4	* Screw		
5	949947	1	* Cross recessed screw		
5A	941904	1	* Spring washer		
6	(1140464)	1	Hour recorder		Obsolete part
7	872479	1	* Hour recorder		
8	858643	1	* Front ring		
9	808175	1	* Lamp socket		
10	19923	1	* Bulb		
11		X	* electrical materials	1963	
12	(858878)	1	Voltmeter kit		Obsolete part
13	873199	1	* Voltmeter		
14	858643	1	* Front ring		
15	19923	1	* Bulb		
16	808175	1	* Lamp socket		
17		X	* electrical materials	1963	
18	(828718)	1	Toggle switch		Spring loaded., Obsolete part
	(828719)	1	Toggle switch		On/Off, Obsolete part
19	828584	1	* Toggle switch		For 828718
	828585	1	* Toggle switch		For 828719
20	828586	1	* Nut		

MD2010C, MD2010D, MD2020C, MD2020D, MD2030C, MD2030D, MD2040C, MD2040D



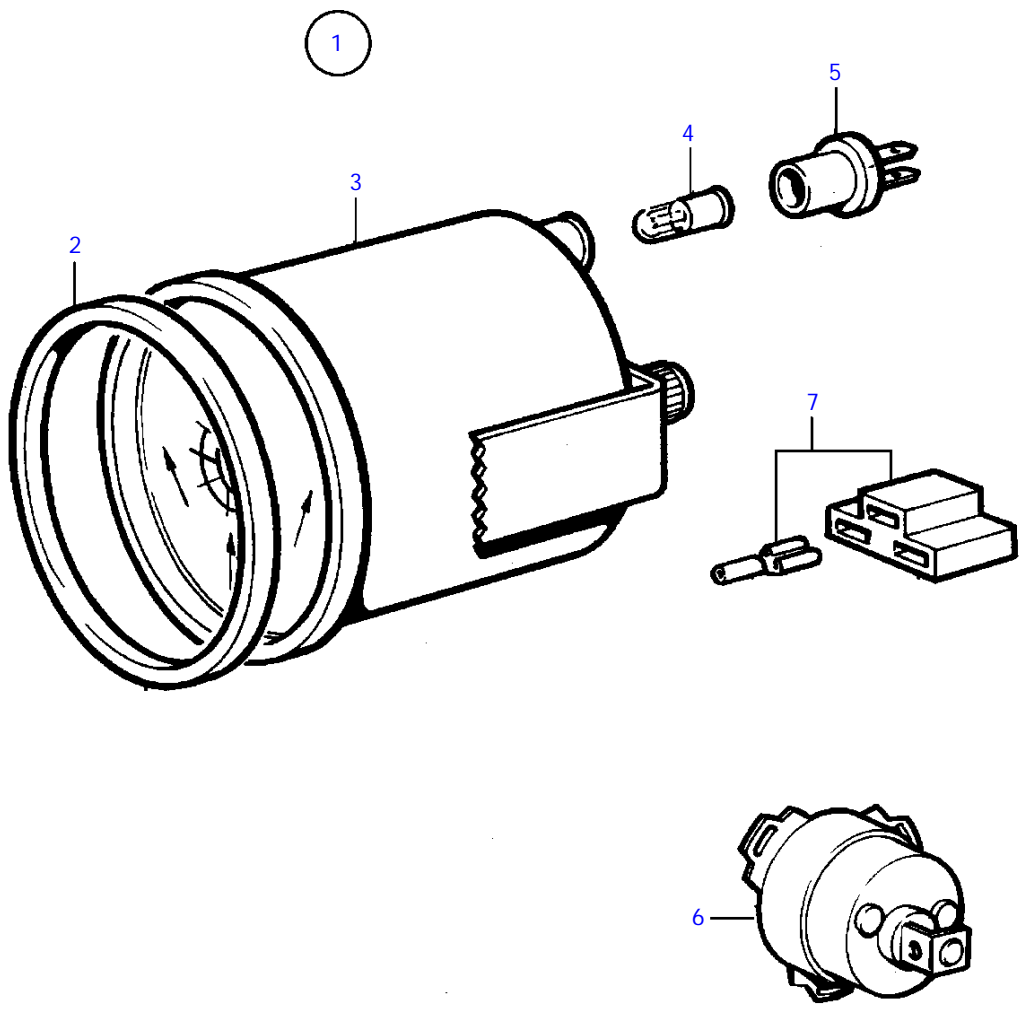
23065



MD2010C, MD2010D, MD2020C, MD2020D, MD2030C, MD2030D, MD2040C, MD2040D

REF	PART NO.	QTY	DESCRIPTION	SEE SEC.	NOTES
1	3587074	1	Instrument panel		(873590)
2		1	* Instrument panel		(860182)
3	858645	1	* Symbol strip		
4	828647	4	* Screw		
5	873195	1	* Thermometer		
	873197	1	* Oil pressure gauge		
	873199	1	* Voltmeter		
6	863945	3	* Lamp socket		
7	863946	3	* Bulb		12V, 1,2W red
8	858643	3	* Front ring		D=52mm
9	828803	3	* Guide ring		
10	3587072	1	* Starter switch		(864277)
11	859953	2	* Key		State key code when ordering.
			* Bulletin 49-30	49-30-EN	Key P/N 859953
12	859955	1	* Plastic nut		
13	828584	1	* Toggle switch		Test alarm
	828585	1	* Toggle switch		Instr. light
14	828586	2	* Nut		
15	828587	1	* Buzzer		
16	858795	1	* Protecting casing		
17	873737	1	* Electronic unit		
18	828784	1	* Reflector		
19	19923	4	* Bulb		12V
20	941904	2	* Spring washer		
21	(941615)	2	* Cross recessed screw		Obsolete part
22	873207	3	* Brace kit		
23		6	* Nut		
24	873208	1	* Brace kit		
25		2	* Nut		
26	873517	1	* Ring		D=72mm
27	941904	1	* Spring washer		
28	949947	1	* Cross recessed screw		
29	828646	1	* Cable trunk		
30	873992	1	* Tachometer kit		4600 rpm
31	863946	1	* Bulb		12V, 1,2W red
32	863945	1	* Lamp socket		

MD2010C, MD2010D, MD2020C, MD2020D, MD2030C, MD2030D, MD2040C, MD2040D

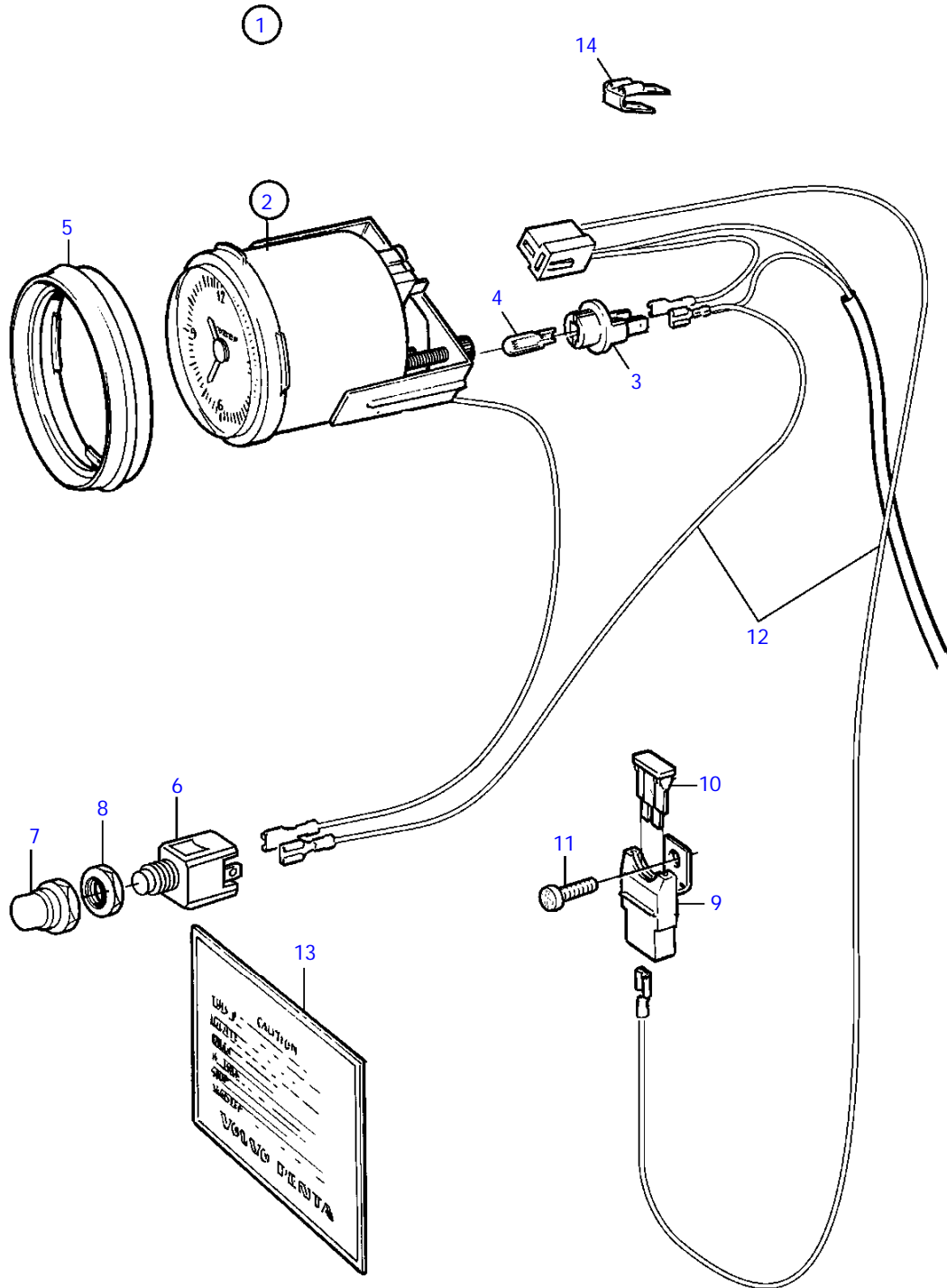


18581

MD2010C, MD2010D, MD2020C, MD2020D, MD2030C, MD2030D, MD2040C, MD2040D

REF	PART NO.	QTY	DESCRIPTION	SEE SEC.	NOTES
1	1140465	1	Rudder indicator kit		
2	858643	1	• Front ring		
3	863944	1	• Rudder indicator		
4	863946	1	• • Bulb		
5	863945	1	• • Lamp socket		For instrument 828698 should white bulb 19923 and socket 808175 be mounted.
6	837772	1	• Position sensor		
7		X	• electrical materials	1963	

MD2010C, MD2010D, MD2020C, MD2020D, MD2030C, MD2030D, MD2040C, MD2040D



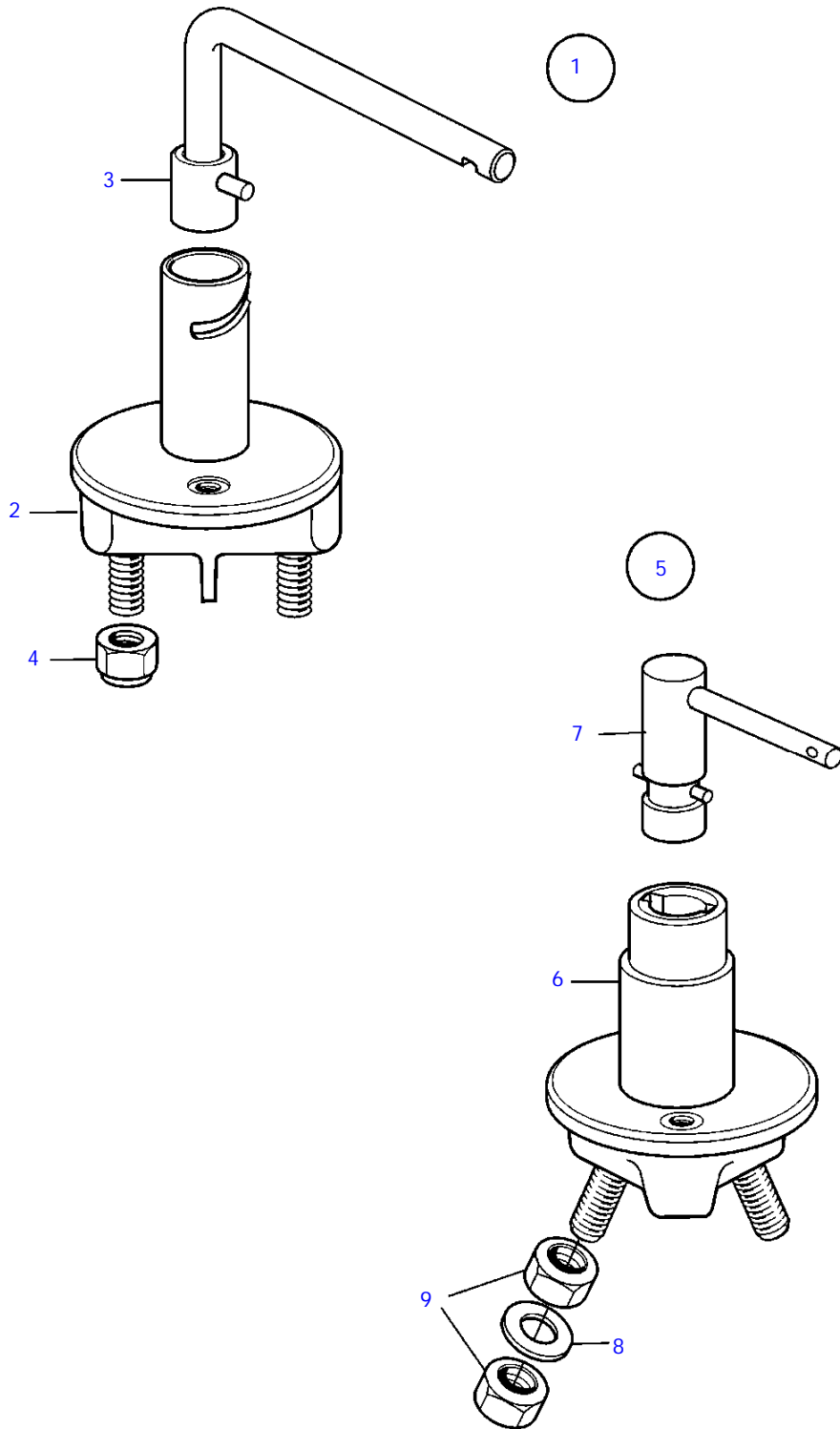
18576

MD2010C, MD2010D, MD2020C, MD2020D, MD2030C, MD2030D, MD2040C, MD2040D

REF	PART NO.	QTY	DESCRIPTION	NOTES
1	1140597	1	Clock kit	
2	856814	1	* Clock	
3	863945	1	* * Lamp socket	
4	863946	1	* * Bulb	
5	858643	1	* Front ring	
6	828584	1	* Toggle switch	
7	828586	1	* Nut	
8	872407	1	* Hexagon nut	
9	1323312	1	* Insulator	
10	981405	1	* Fuse	3A (969115)
11	972070	1	* 6 point socket screw	
12	872492	1	* Cable kit	
13	841242	1	* Label	
14	943950	1	* Switch	



MD2010C, MD2010D, MD2020C, MD2020D, MD2030C, MD2030D, MD2040C, MD2040D

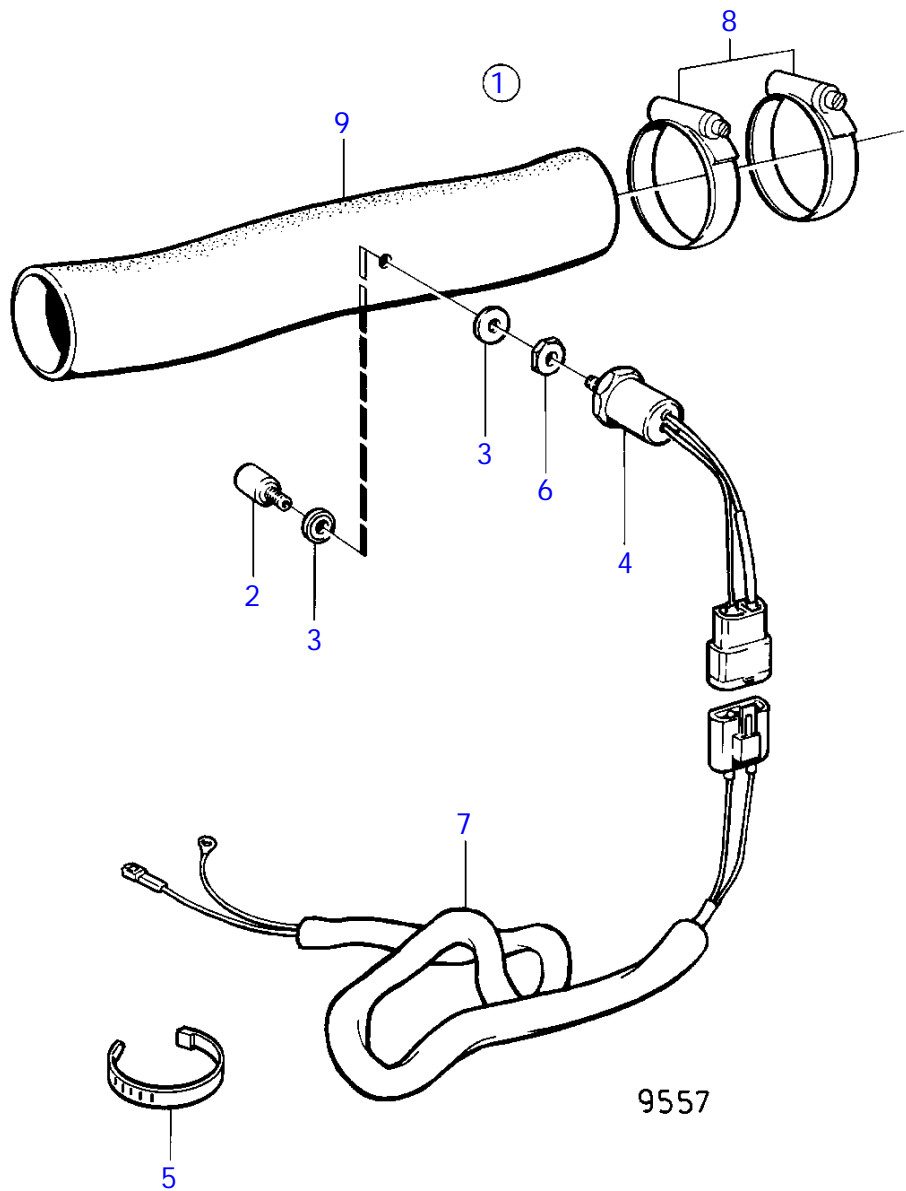


18584

MD2010C, MD2010D, MD2020C, MD2020D, MD2030C, MD2030D, MD2040C, MD2040D

REF	PART NO.	QTY	DESCRIPTION	NOTES
1	870980	1	Main switch	Replaced by 1140319
2		1	* Switch	
3	243700	1	* Handle	Replaced by 1140319
4	971071	2	* Hexagon nut	
5	1140319	1	Battery main switch	
6		1	* Switch	
7	1140427	1	* Cock handle	
8	1140428	2	* Washer	
9	17602	4	* Hexagon nut	

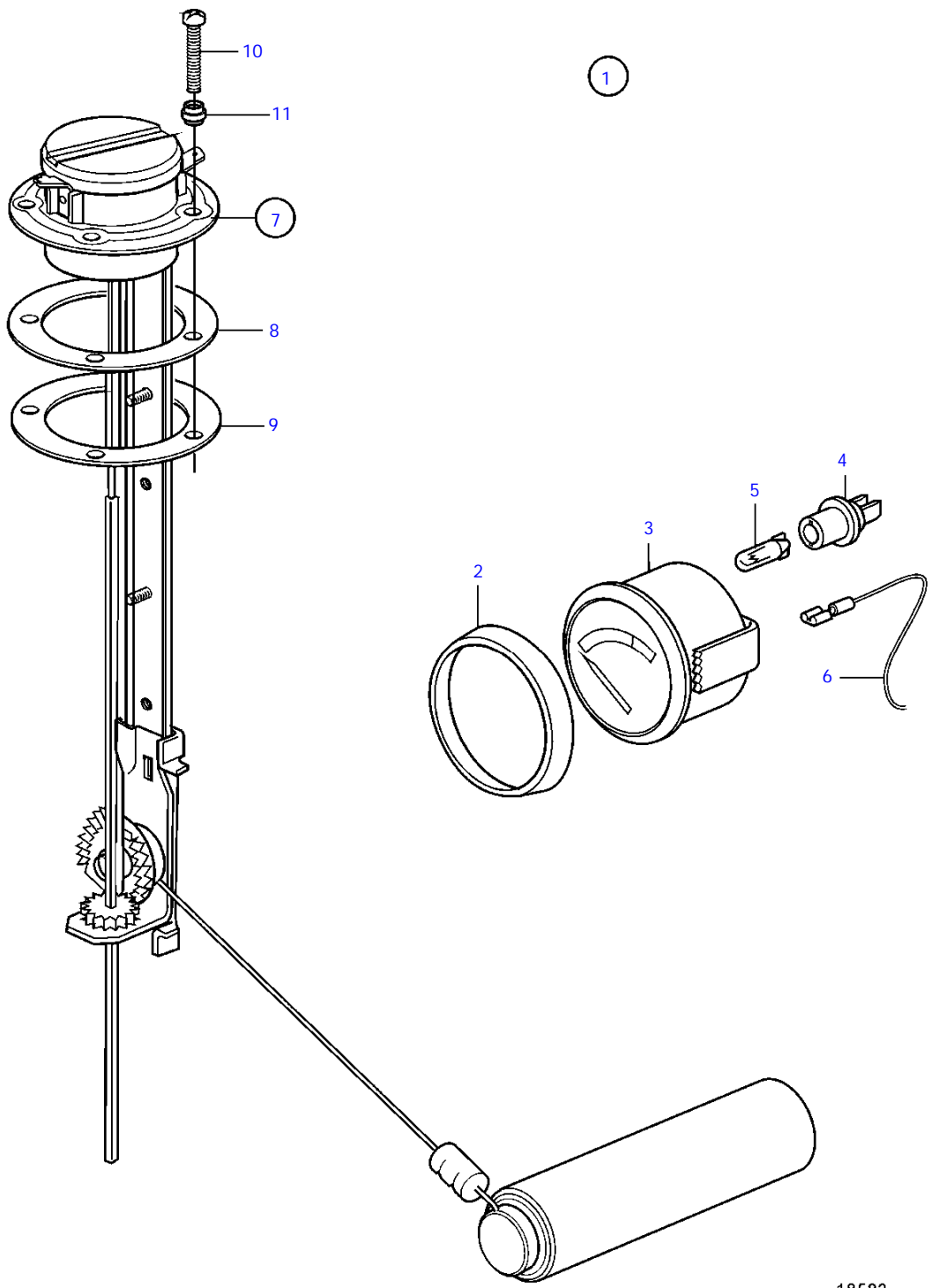
MD2010C, MD2010D, MD2020C, MD2020D, MD2030C, MD2030D, MD2040C, MD2040D



MD2010C, MD2010D, MD2020C, MD2020D, MD2030C, MD2030D, MD2040C, MD2040D

REF	PART NO.	QTY	DESCRIPTION	SEE SEC.	NOTES
1	877773	1	Exhaust temperature		(828762)
2	828749	1	* Sensor		
3	828776	2	* Washer		
4	828761	1	* Thermo monitor		80°C
5	948211	1	* Cable tie		
6	828750	1	* Nut		
7		X	* cables and terminals	1963	
8	961671	X	Hose clamp		
9	1140665	X	Exhaust hose		(828463)

MD2010C, MD2010D, MD2020C, MD2020D, MD2030C, MD2030D, MD2040C, MD2040D



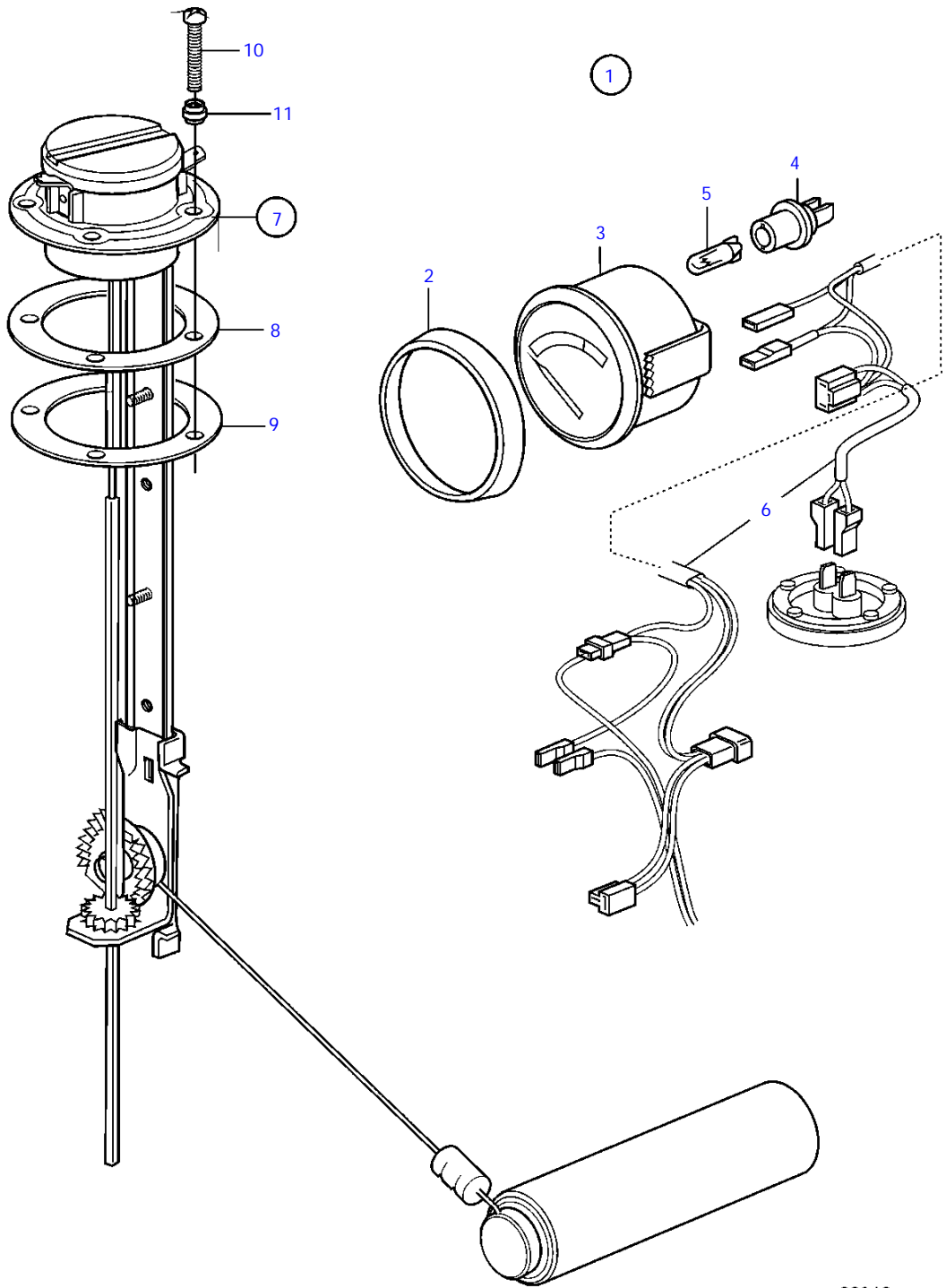
18583



MD2010C, MD2010D, MD2020C, MD2020D, MD2030C, MD2030D, MD2040C, MD2040D

REF	PART NO.	QTY	DESCRIPTION	SEE SEC.	NOTES
1	873808	1	Fuel gauge		(858879)
2	858643	1	* Front ring		
3	863940	1	* Fuel gauge		
	873207	1	* * Brace kit		
		2	* * * Nut		not sold separately
		2	* * * Spacer		not sold separately
4	863945	1	* * Lamp socket		Use white bulb 19923 and socket 808175 for earlier gauges.
5	863946	1	* * Bulb		Use white bulb 19923 and socket 808175 for earlier gauges., 12V, 1,2W red
6		X	* Wiring harness	1963	
7	873772	1	* Tank sensor		(837999)
8	89865	1	* * Gasket		
9	834480	1	* * Flange		
10	969407	4	* * 6 point socket screw		(956078)
	969409	1	* * 6 point socket screw		
11	834481	5	* * Gasket		

MD2010C, MD2010D, MD2020C, MD2020D, MD2030C, MD2030D, MD2040C, MD2040D



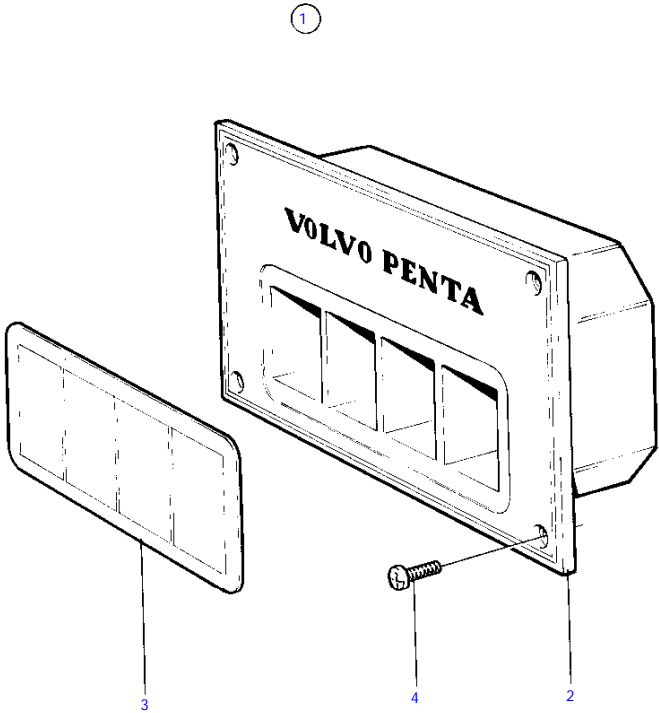
22912



MD2010C, MD2010D, MD2020C, MD2020D, MD2030C, MD2030D, MD2040C, MD2040D

REF	PART NO.	QTY	DESCRIPTION	NOTES
1	873808	1	Fuel gauge	12V (858879)
2	858643	1	* Front ring	
3	863940	1	* Fuel gauge	
4	863945	1	* * Lamp socket	Use white bulb 19923 and socket 808175 for earlier gauges.
5	863946	1	* * Bulb	Use white bulb 19923 and socket 808175 for earlier gauges., 12V, 1,2W red
6	856867	1	* Cable kit	
7	873772	1	* Tank sensor	(837999)
8	89865	1	* * Gasket	
9	834480	1	* * Flange	
10	969407	4	* * 6 point socket screw	(956078)
	969409	1	* * 6 point socket screw	
11	834481	5	* * Gasket	

MD2010C, MD2010D, MD2020C, MD2020D, MD2030C, MD2030D, MD2040C, MD2040D

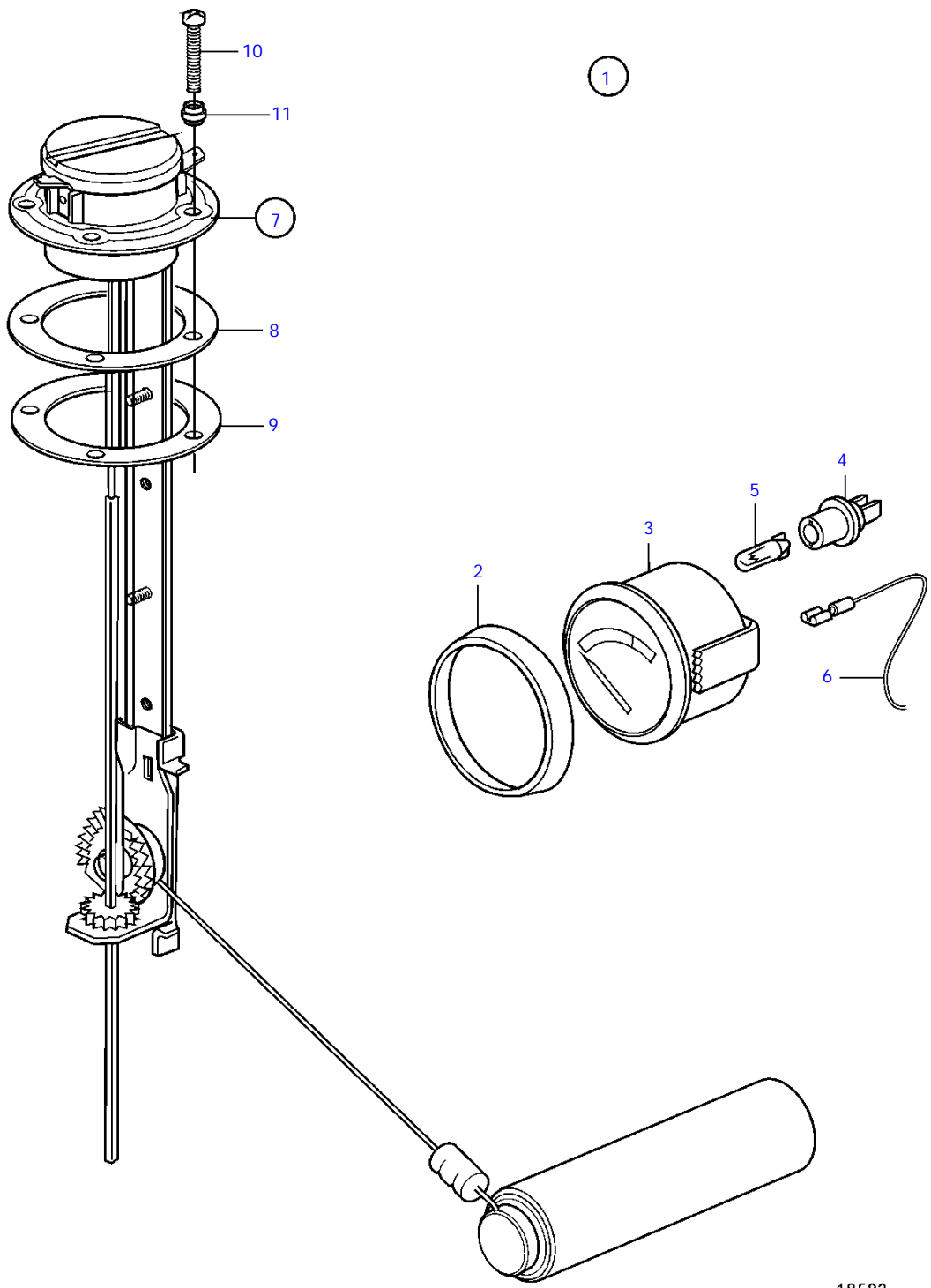


6710

MD2010C, MD2010D, MD2020C, MD2020D, MD2030C, MD2030D, MD2040C, MD2040D

REF	PART NO.	QTY	DESCRIPTION
1	858876	1	Symbol panel
2		1	* Symbol panel
3	858645	1	* Symbol strip
4	828647	4	* Screw

MD2010C, MD2010D, MD2020C, MD2020D, MD2030C, MD2030D, MD2040C, MD2040D



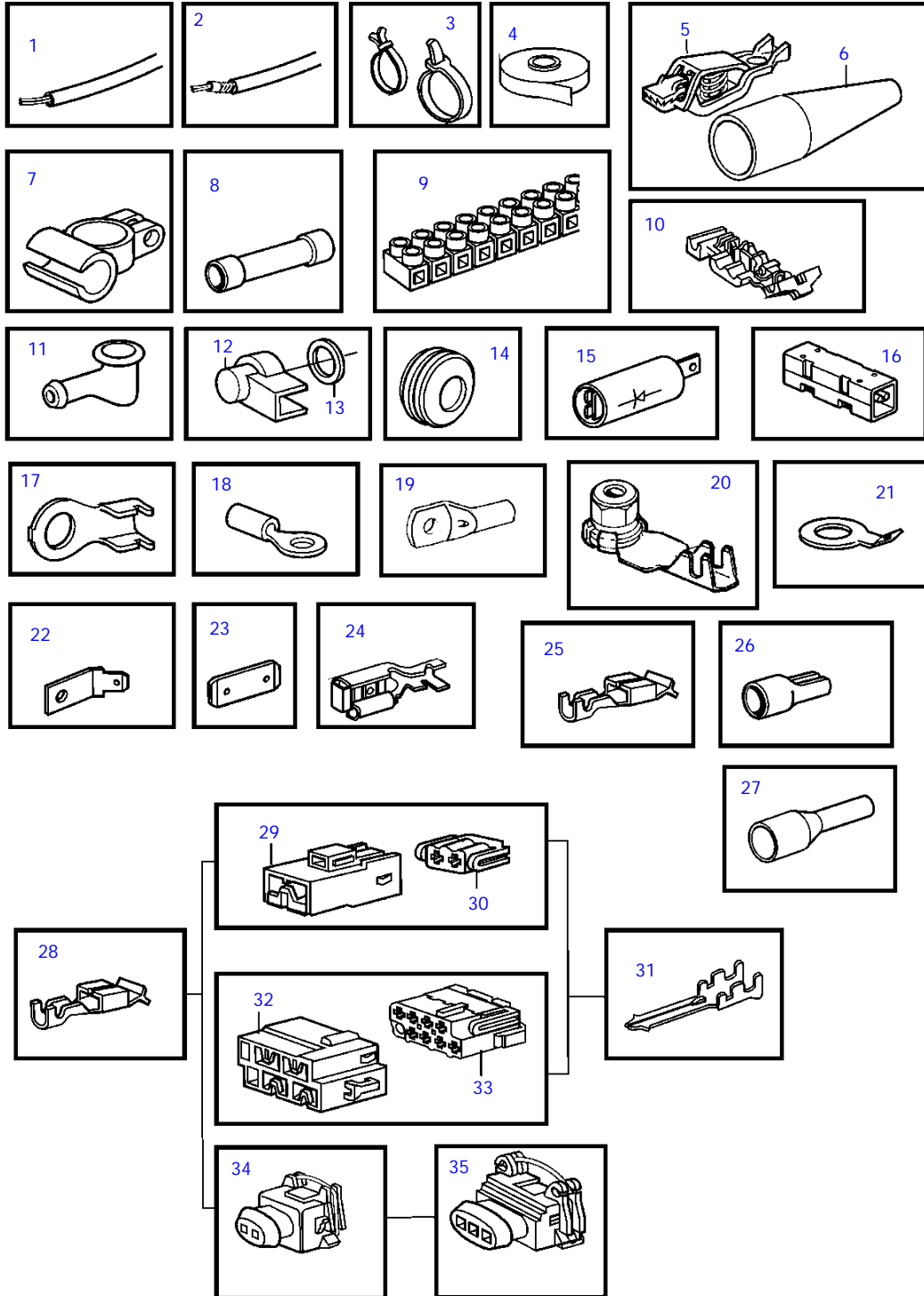
18583



MD2010C, MD2010D, MD2020C, MD2020D, MD2030C, MD2030D, MD2040C, MD2040D

REF	PART NO.	QTY	DESCRIPTION	SEE SEC.	NOTES
1	(1140462)	1	Water level gauge ki		(858881), Obsolete part
2	858643	1	* Front ring		
3	863942	1	* Water level gauge		
4	863945	1	* • Lamp socket		Use white bulb 19923 and socket 808175 for earlier gauges.
5	863946	1	* • Bulb		Use white bulb 19923 and socket 808175 for earlier gauges.
6		X	* Wiring harness	1963	
7	834389	1	* Tank sensor		
8	89865	1	* • Gasket		
9	834480	1	* • Flange		
10	969407	4	* • 6 point socket screw		(956078)
	969409	1	* • 6 point socket screw		
11	834481	5	* • Gasket		

MD2010C, MD2010D, MD2020C, MD2020D, MD2030C, MD2030D, MD2040C, MD2040D

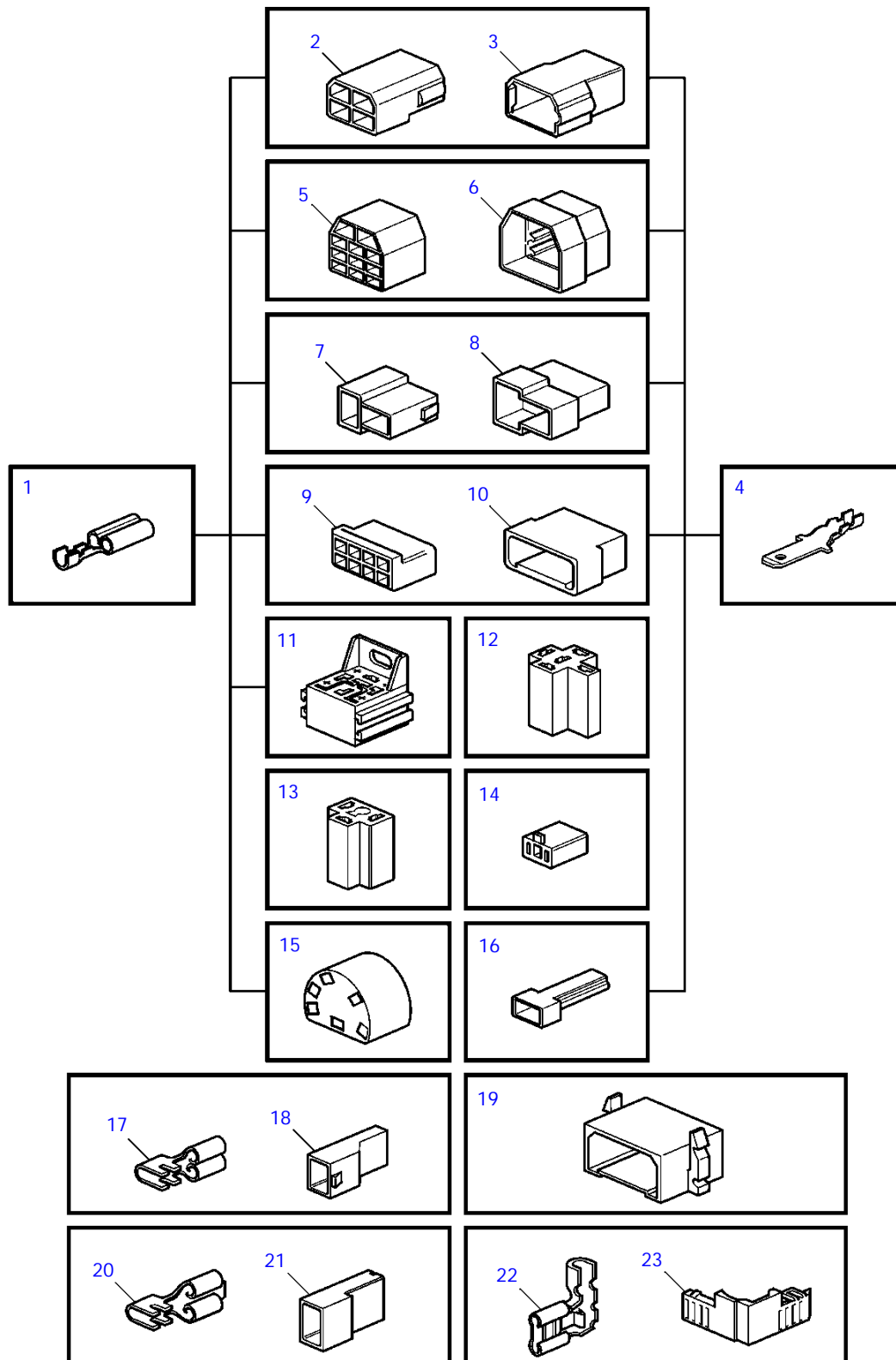


18567

MD2010C, MD2010D, MD2020C, MD2020D, MD2030C, MD2030D, MD2040C, MD2040D

REF	PART NO.	DESCRIPTION	NOTES
1	970624	Electric cable, type RK	1,5mm ² , black
	970626	Electric cable, type RK	1,5mm ² , red
	970661	Electric cable, type R2	1,5mm ² , red
	(970663)	Electric cable, type R2	Obsolete part, 2,5mm ² , black
	970698	Electric cable, type R2	2,5mm ² , red
	970700	Electric cable, type RK	4,0mm ² , black
	(970709)	Electric cable, type RK	Obsolete part, 6,0mm ² , black
	970711	Electric cable, type R2	6,0mm ² , red
	954485	Electric cable, type RK	16,0mm ² , red
	(954500)	Electric cable, type RK	Obsolete part, 25,0mm ² , red
	954502	Electric cable, type RK	35,0mm ² , red
2	874854	Power cable	Non reinforced ship cable approved by classification societies., 2x1,5mm ²
	(863657)	Cable	Obsolete part, Reinforced ship cable approved by classification societies., 4,0mm ² , red
	874855	Power cable	Non reinforced ship cable approved by classification societies., 2x2,5mm ²
	(842092)	Cable	Obsolete part, Non reinforced ship cable approved by classification societies., 3x1,5mm ²
	(874858)	Power cable	Obsolete part, Non reinforced ship cable approved by classification societies., 6,0mm ² , black
	(842090)	Cable	Obsolete part, Non reinforced ship cable approved by classification societies., 16,0mm ² , red
	874861	Power cable	Non reinforced ship cable approved by classification societies., 25,0mm ² , red
	874862	Power cable	Non reinforced ship cable approved by classification societies., 35,0mm ² , red
	846639	Electric cable	Non reinforced ship cable approved by classification societies., 2x1,5mm ²
	874870	Power cable	Non reinforced ship cable approved by classification societies., 2x1,5mm ²
	872679	Wiring harness	(846346)
	872939	Adapter	(846346)
	(874346)	Electric cable	Obsolete part, Reinforced ship cable approved by classification societies., RFOU 0,6/1kv
3	948211	Cable tie	3x1,5mm ²
	949666	Cable tie, with mount. Hole	3x4,0mm ²
	948616	Cable tie	3x6,0mm ²
	862832	Cable tie, steel	4x1,5mm ²
4	858283	Tape	4x2,5mm ²
5	844280	Clip, battery cable +pole	16x1,5mm ²
6	(844278)	Isolation	Obsolete part, Red
	(844279)	Isolation	Obsolete part, Black
7	954505	Cable terminal, battery cable -pole	D=77mm L=280mm
	954506	Cable terminal, battery cable +pole	D=42mm L=170mm
8	956956	Splice	D=102mm L=362mm
	956958	Splice	1,5-2,5mm ² , blue
	956960	Splice	L=61mm
9	926219	Coupling piece	Black
10	944306	Connector	Blue
11	829200	Protective cap	0,5-1,0mm ² , red
12	(1234326)	Protecting casing	Obsolete part, 1,5-2,5mm ² , blue
13	960140	Washer	3-6mm ² , yellow
14	941269	Plug	Max 20mm ² , 12-pole
	821053	Protecting bushing	I.D=35mm
	943920	Plug	I.D=40mm
15		Diode	
16		Diode	
17	970788	Cable terminal	M5x1,1-2,5mm ²
	970789	Cable terminal	M6x1,1-2,5mm ²
	(970791)	Cable terminal	Obsolete part, M10x1,1-2,5mm ²
18	881492	Cable terminal	M4x1,1-2,5mm ²
	881493	Cable terminal	M5x1,1-2,5mm ²
	881508	Cable terminal	M6x1,1-2,5mm ²
	881494	Cable terminal	M8x1,1-2,5mm ²
	881504	Cable terminal	M10x1,1-2,5mm ²
	881506	Cable terminal	M4x2,6-6,0mm ²
	881495	Cable terminal	M5x2,6-6,0mm ²
	881496	Cable terminal	M6x2,6-6,0mm ²
	881497	Cable terminal	M8x2,6-6,0mm ²
	881498	Cable terminal	M10x2,6-6,0mm ²
	940331	Cable terminal	M5x6,1-10,0mm ²
	940332	Cable terminal	M6x6,1-10,0mm ²
	940333	Cable terminal	M8x6,1-10,0mm ²
	(940334)	Cable terminal	Obsolete part, M10x6,1-10,0mm ²
	881512	Cable terminal	M5x10,1-16,0mm ²
	940335	Cable terminal	M6x10,1-16,0mm ²
	940336	Cable terminal	M8x10,1-16,0mm ²
	940337	Cable terminal	M10x10,1-16,0mm ²
19	949587	Cable terminal	M10x10mm ²
20	8140576	Nut	M4
21	865758	Cable terminal	I.D=12,5 D=23mm
22	944485	Cable terminal	6,3xM5x180
23	839328	Tab	16,3x6,3x0,8
24	881491	Cable terminal	6,3x0,75-2,1mm ²
25	853015	Cable terminal	For trim instrument., For 853866, Yasaki
26	942429	Cable terminal	For 853866, Yasaki
27	3829867	Cable terminal	
	3829868	Cable terminal	
28	970777	Cable terminal	
29	968377	Housing	2,8x2 natural
	968379	Housing	2,8x2 gray
30	968376	Housing	4,8/2,8x2 natural
	968378	Housing	4,8/2,8x2 gray
31	974313	Cable terminal	2,8x0,8x1,1-2,5mm ²
32	968401	Housing	2,8x8 natural
33	968400	Housing	4,8/2,8x8 natural
34	976256	Housing	2-pole
35	967713	Housing	3-pole

MD2010C, MD2010D, MD2020C, MD2020D, MD2030C, MD2030D, MD2040C, MD2040D

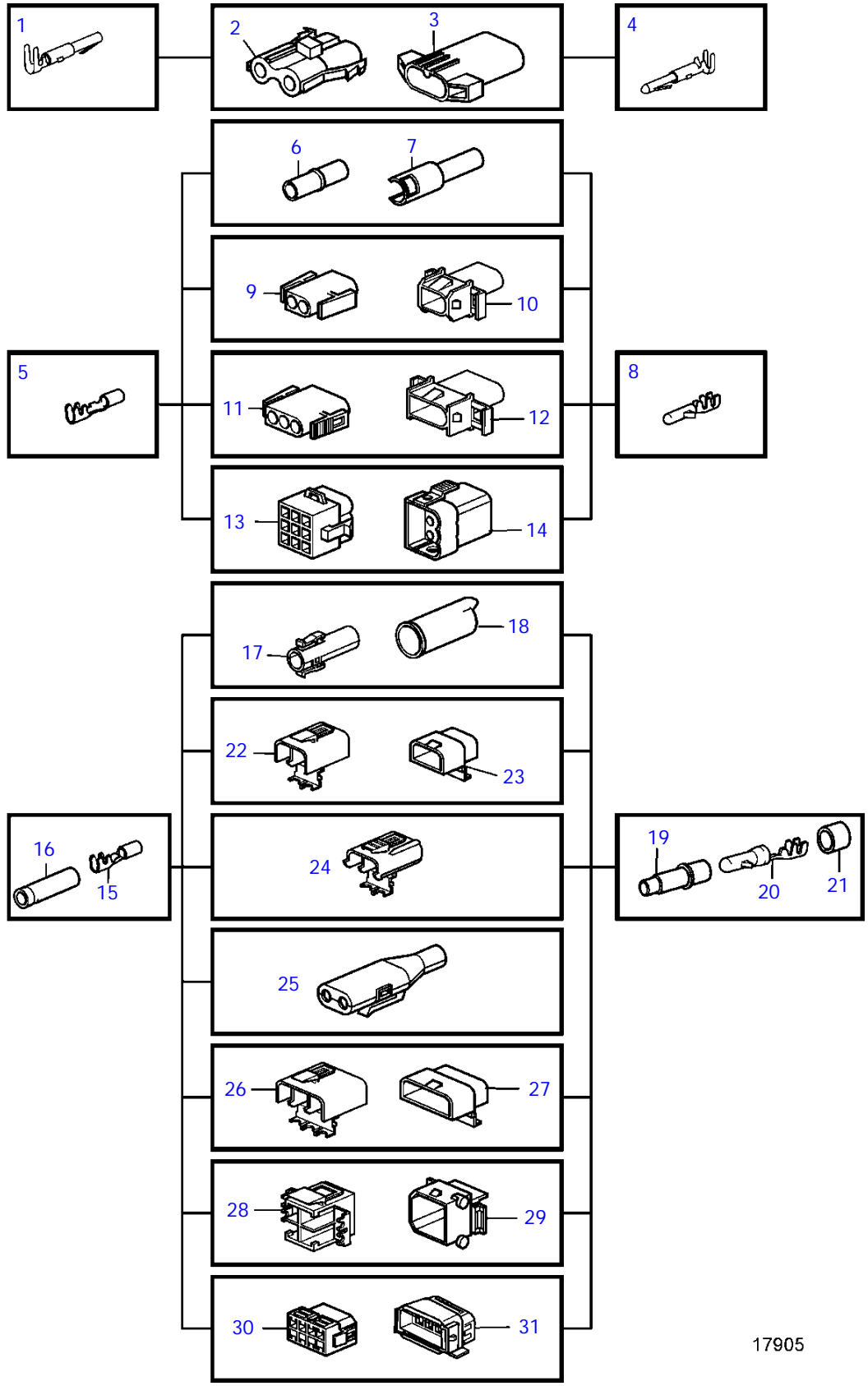


15819

MD2010C, MD2010D, MD2020C, MD2020D, MD2030C, MD2030D, MD2040C, MD2040D

REF	PART NO.	DESCRIPTION	NOTES
1	973150	Cable terminal	6,3x0,8x1,1-2,5mm ²
	949206	Cable terminal	6,3x0,8x4,0-6,0mm ²
2	948856	Housing	6,3x4 natural
3	948855	Housing	6,3x4 natural
4	973117	Cable terminal	6,3x0,8x0,5-1,0mm ²
	881487	Cable terminal	6,3x0,8x0,75-2,5mm ²
	881488	Cable terminal	6,3x0,8x4,0-6,0mm ²
5	945830	Housing	6,3x11 natural
6	945831	Tab housing	6,3x11 natural
7	958210	Housing	6,3x2 black
8	958209	Housing	6,3x2 black
9	944076	Housing	6,3x8 natural
10	948857	Housing	6,3x8 natural
11	977184	Housing	6,3x5x4,8/2,8x4
12	1214948	Housing	6,3x5 black
13	945469	Housing	6,3x3 black
14	1578937	Housing	6,3x2 natural
15	828624	Receptacle housing	6,3x6
16		Housing	6,3x1 black
17	949405	Cable terminal	4,8x1,1-2,5mm ²
18	947848	Housing	4,8x1 natural
19	944077	Housing	6,3x8 natural
20	881483	Cable terminal	6,3x0,8x1,1-2,5mm ²
	881484	Cable terminal	6,3x0,8x4,0-6,0mm ²
21	949597	Housing	6,3x1 natural
	943511	Housing	6,3x1 natural
22	881489	Cable terminal	6,3x0,8x1,1-2,5
23	944221	Housing	6,3x1 natural

MD2010C, MD2010D, MD2020C, MD2020D, MD2030C, MD2030D, MD2040C, MD2040D



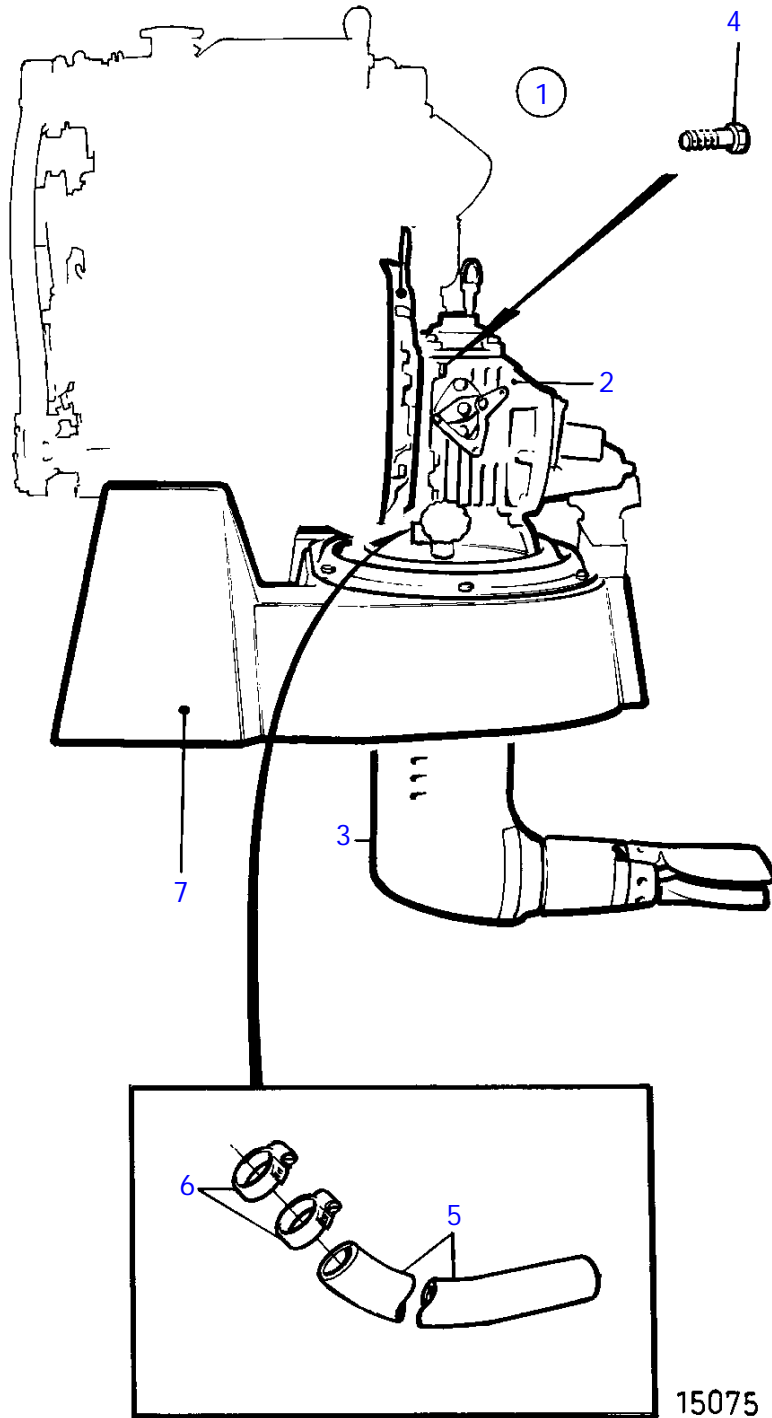
17905



MD2010C, MD2010D, MD2020C, MD2020D, MD2030C, MD2030D, MD2040C, MD2040D

REF	PART NO.	DESCRIPTION	NOTES
1	946038	Cable terminal	2,1x0,5-1mm ²
2	944224	Housing	2-pole
3	944223	Housing	2-pole
4		Cable terminal	Not marketed by Volvo Penta., 2,1x0,5-1mm ²
5	965822	Cable terminal	3,5x1,1-2,5mm ²
	948289	Cable terminal	3,5x2,5-4,0mm ²
6	949584	Housing	3,5x1 natural
7	949583	Housing	3,5x1 natural
8	969831	Cable terminal	3,5x0,5-1mm ²
	965824	Cable terminal	3,5x1,1-2,5mm ²
	965825	Cable terminal	3,5x2,6-4,0mm ²
9	948996	Housing	3,5x2 natural
10	948995	Housing	3,5x2 natural
11	948296	Housing	3,5x3 natural
12	948297	Housing	3,5x3 natural
13	948294	Housing	3,5x9 natural
14	948295	Housing	3,5x9 natural
15	949371	Cable terminal	3,5x0,75-1,5mm ²
	1598753	Insulator	3,5x2,5-4,5mm ²
16	1598753	Insulator	
17	1307035	Housing	1-pole
18	1308436	Housing	1-pole
19	1608765	Insulator	
20	965824	Cable terminal	3,5x2,5-4,5mm ²
21	1608766	Seal	
22	1307048	Housing	2-pole
23	1307049	Housing	2-pole
24	970753	Housing	2-pole
25	1624477	Housing	2-pole
26	1259828	Housing	3-pole
27	3523442	Pin housing	3-polig (1259829)
28	1259830	Housing	4-pole
29	1259831	Housing	4-pole
30	966812	Housing	8-pole
31	967809	Housing	8-pole

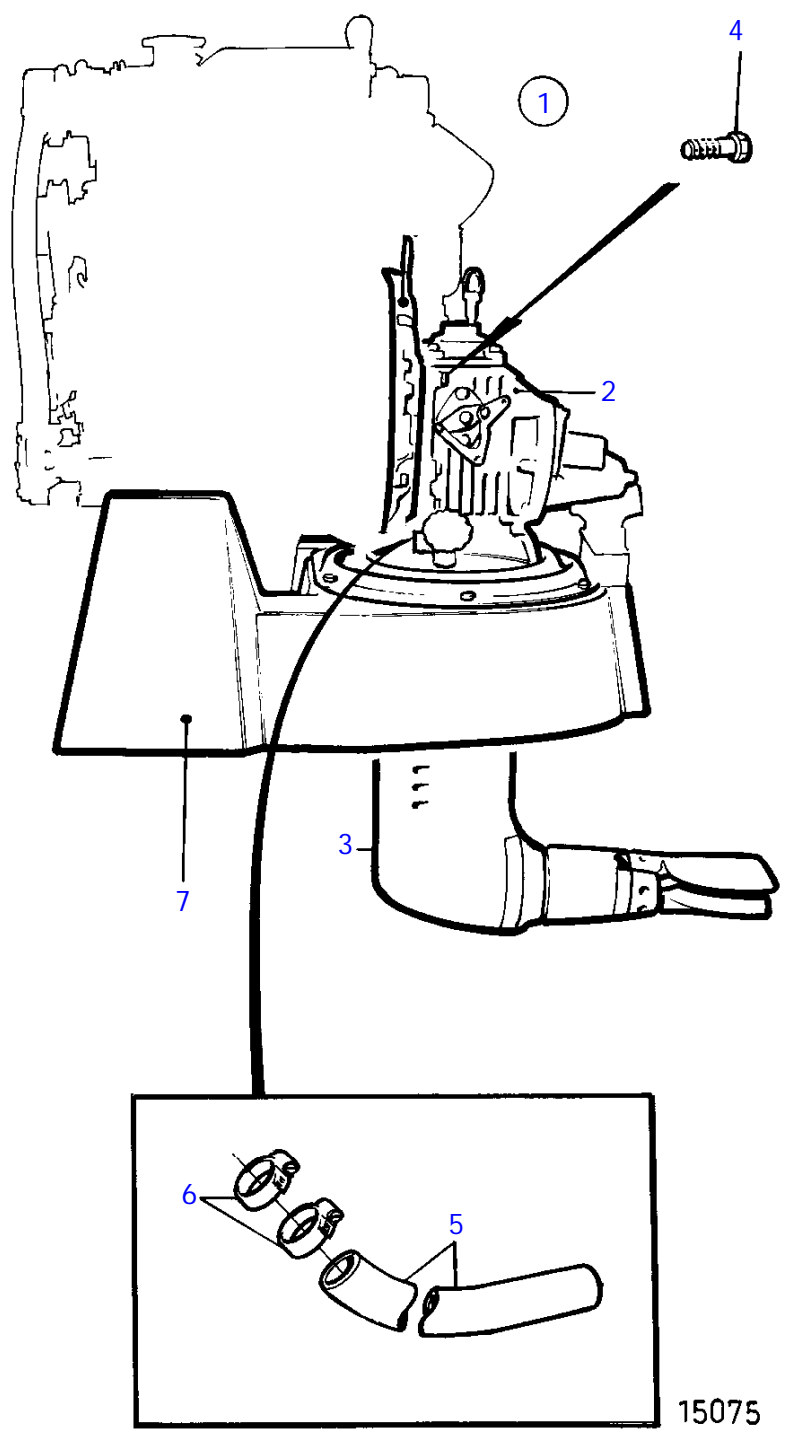
MD2010C, MD2020C



MD2010C, MD2020C

REF	PART NO.	QTY	DESCRIPTION	SEE SEC.	NOTES
1	3856828	1	Drive unit		Ratio 2.5:1
					Replaced by 3582395
2		1	* Gear		Replaced by 3856830
	3856830	1	* Upper gear		
			* .		
			* .	4202	
3	873089	1	* Gear		Repl by 3856832
	3856832	1	* Gear housing		Ratio 2.5:1
			* .		
			* .	4203	
	3583353	1	* Gear		Ratio 2.5:1
			* .		
4	965185	6	Flange screw		
5	943369	X	Rubber hose		Intake-sea water pump., L=1000mm
6	961666	2	Hose clamp		
7	861378	1	Engine bed		

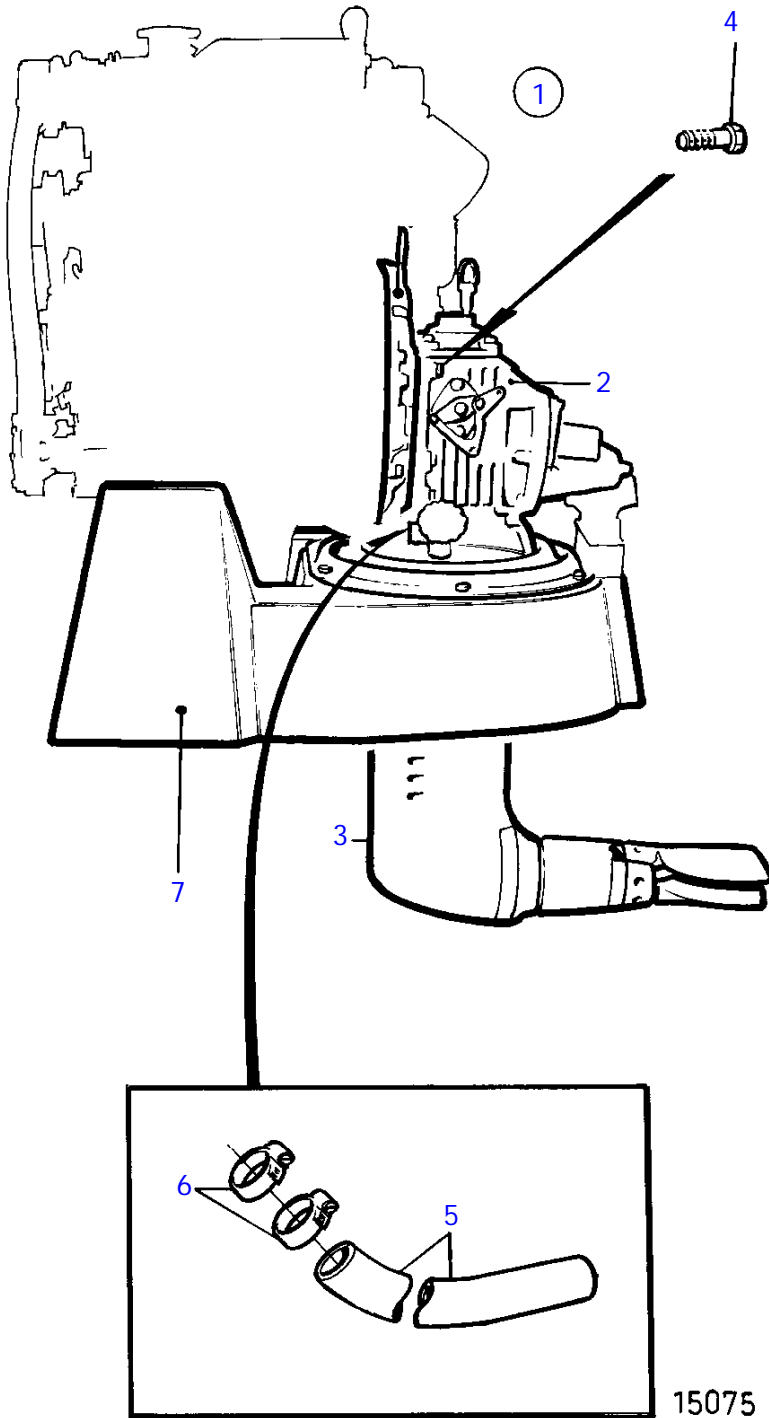
MD2030C



MD2030C

REF	PART NO.	QTY	DESCRIPTION	SEE SEC.	NOTES
1	3856828	1	Drive unit		Ratio 2.5:1
2		1	* Gear		Replaced by 3856830
	3856830	1	* Upper gear		
			*	4202	
3	873089	1	* Gear		Repl by 3856832
	3856832	1	* Gear housing		Ratio 2.5:1
			*	4203	
	3583353	1	* Gear		Ratio 2.5:1
			* *		
4	965185	6	Flange screw		
5	943369	X	Rubber hose		Intake-sea water pump., L=1000mm
6	961666	2	Hose clamp		
7	861378	1	Engine bed		

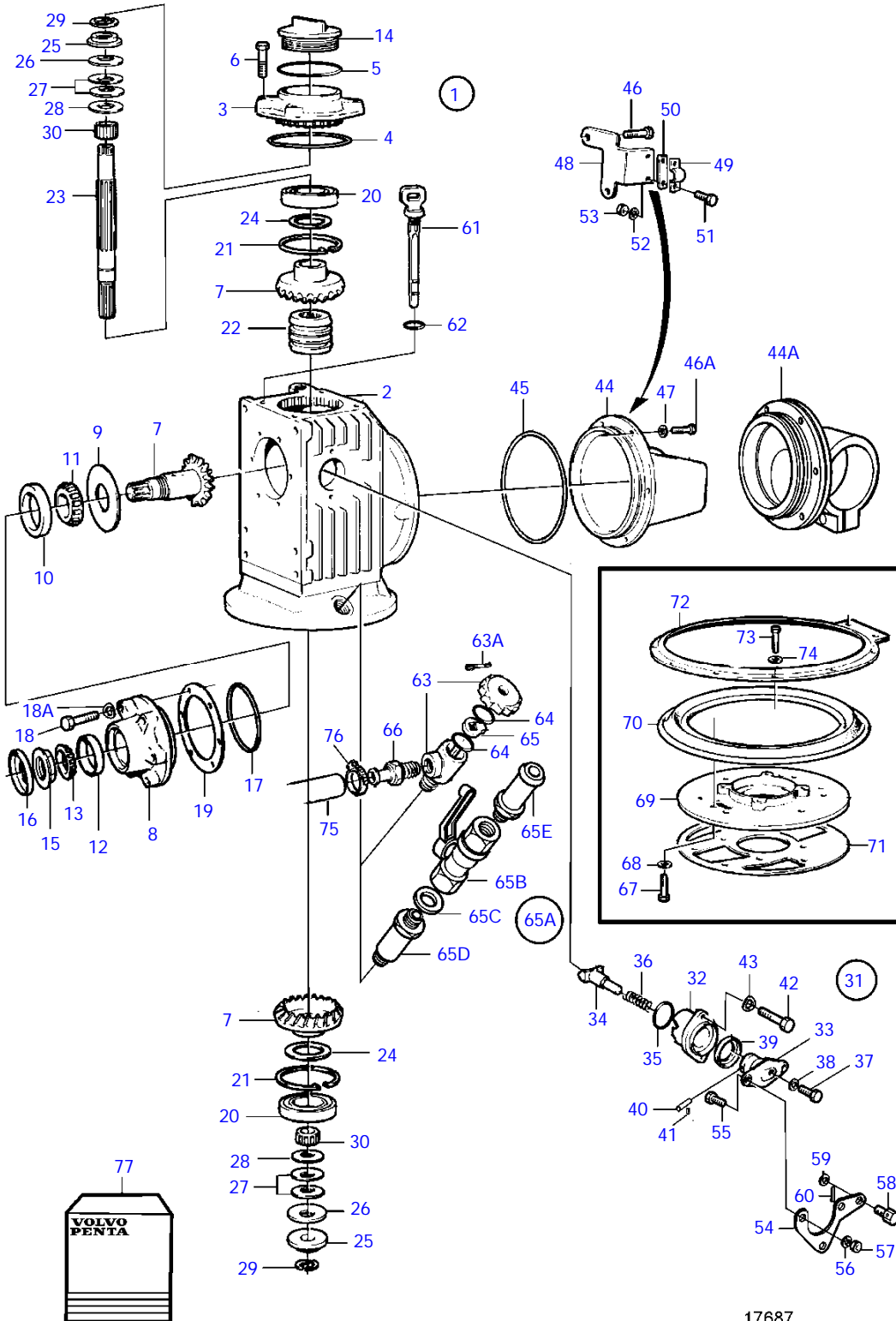
MD2040C



MD2040C

REF	PART NO.	QTY	DESCRIPTION	SEE SEC.	NOTES
1	3856828	1	Drive unit		Ratio 2.5:1
2		1	* Gear		Replaced by 3856830
	3856830	1	* Upper gear		
			*	4202	
3	873089	1	* Gear		Repl by 3856832
	3856832	1	* Gear housing		Ratio 2.5:1
			*	4203	
	3583353	1	* Gear		Ratio 2.5:1
			* *		
4	965185	6	Flange screw		
5	943369	X	Rubber hose		Intake-sea water pump., L=1150mm
6	961666	2	Hose clamp		
7	3842285	1	Engine bed		(3581152)

120S-E

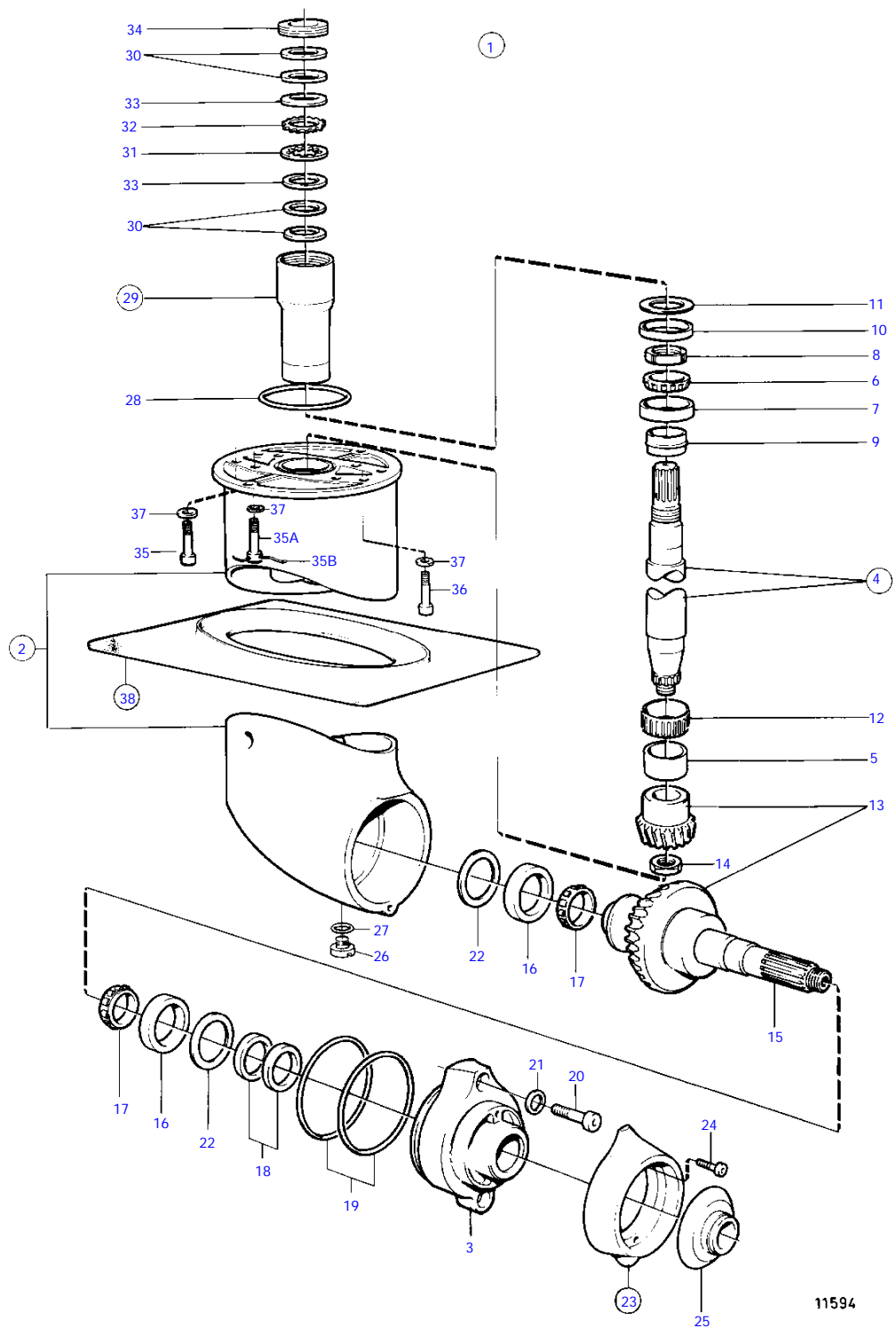


120S-E

REF	PART NO.	QTY	DESCRIPTION	NOTES
1	3856830	1	Upper gear	Replaces 873104
2	3856831	1	* Gear housing	
3	873123	1	* Cardboard tube	
4	949962	1	* O-ring	Included in gasket kit.
5	1664473	1	* O-ring	Included in gasket kit.
6	946671	4	* Flange screw	
	946470	4	* Flange screw	For 3856830 L=35mm
7	873095	1	* Gear set	
8	872710	1	* Bearing box	
9	851621	1	* Turntable	
10	181302	1	* Cup	
11	181301	1	* Inner ring	
12	183750	1	* Cup	
13	183752	1	* Cone	
14	851754	1	* Filler cap	
15	(852485)	1	* Lock nut	Obsolete part
16	873094	1	* Sealing ring	Included in gasket kit.
17	925093	1	* O-ring	Included in gasket kit.
18	940101	6	* Hexagon screw	
18A	941906	6	* Spring washer	
19	851622	X	* Adjusting washer	TH=0.10mm
	851623	X	* Adjusting washer	TH=0.15mm
	851624	X	* Adjusting washer	TH=0.35mm
20	851756	2	* Bearing	
21	852190	2	* Lock ring	
22	873098	1	* Sliding sleeve	For 873104 (851626)
23	873099	1	* Shaft	
24	852184	X	* Shim	TH=0.05mm
	84219	X	* Shim	TH=0.10mm
	949776	X	* Shim	TH=0.15mm
	84218	X	* Shim	TH=0.35mm
25	852079	2	* Lock washer	
26	852213	2	* Disc spring	
27	852080	6	* Disc spring	
28	852311	2	* Washer	TH=0.40mm
	852317	2	* Washer	TH=0,80mm
29	851629	4	* Lock ring half	
30	851757	2	* Needle bearing	
31	851661	1	* Shift mechanism	
32	851662	1	* Bearing housing	
33	3856008	1	* Plunger	
34	851664	1	* Dog	
35	949659	1	* O-ring	Included in gasket kit., (925065)
36	814184	1	* Spring	Obsolete part
37	897711	1	* Screw	
38	897871	X	* Shim	
39	853868	1	* Sealing ring	Included in gasket kit., (873291)
40	942871	1	* Clevis pin	
41	973593	1	* Spring pin	(951924)
42	965215	2	* Flange screw	(955296)
43	941907	2	* Spring washer	
44	873149	1	* Bracket	For 873104
44A	3857187	1	* Bracket	For 3856830
45	925262	1	* O-ring	Included in gasket kit.
46	945444	6	* Flange screw	For 873149
46A	946470	6	* Flange screw	For 3857187 L=35mm
47	955894	2	* Washer	
48	852074	1	* Cable attachment	For 873149
	852168	1	* Bracket	For 3857187
49	21471054	1	* Bracket	
50	819068	1	* Washer	
51	969407	2	* 6 point socket screw	(955246)
52	940090	2	* Washer	
53	949874	2	* Flange lock nut	(946577)
54	852363	1	* Intermediate lever	
55	955270	2	* Hexagon screw	
56	955948	2	* Toothed washer	
57	955781	2	* Hexagon nut	
58	833462	1	* Cube	
59	955892	1	* Washer	
60	17276	1	* Split pin	
61	873087	1	* Dipstick	
62	925055	1	* O-ring	
63	851777	1	* Faucet	Up to 120S-D
63A	949791	1	* Split pin	Up to 120S-D
64	955989	2	* O-ring	Up to 120S-D
65	851783	1	* Lock washer	Up to 120S-D
65A			* Tap	For 3856830
65B	1140097	1	* Ball valve	For 3856830
65C	947626	1	* Gasket	For 3856830
65D	873173	1	* Nipple	For 3856830
65E	873317	1	* Nipple	For 3856830
66	873088	1	* Nipple	Up to 120S-D
67	946541	3	* Hex. socket screw	
68	941670	3	* Washer	
69	852719	1	* Intermediate section	
70		1	* Sealing strip	Included in mounting kit 854934.
71	3856834	1	Gasket	Included in mounting kit 854934., Included in complete drive., (853892)
72	3586701	1	Tensioning ring	Included in complete drive., (873126)
73	946730	10	Hexagon screw	Included in complete drive.

120S-E

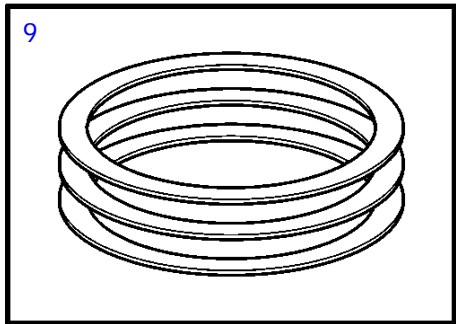
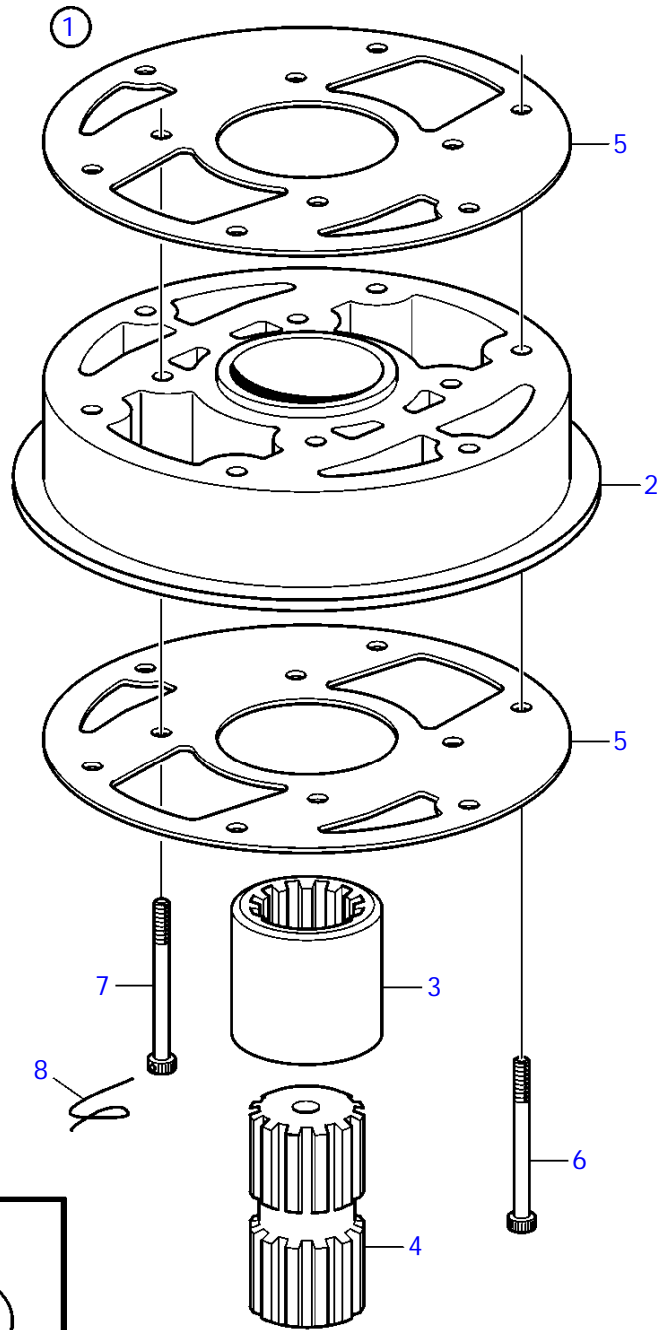
REF	PART NO.	QTY	DESCRIPTION	NOTES
74	941670	10	Washer	Included in complete drive.
75		X	Hose	Up to 120S-D See group 44
76		1	Hose clamp	Up to 120S-D See group 44
77	876391	1	Gasket kit	See group 99
	3856597	1	Mounting kit	See group 99 (854934)



11594

REF	PART NO.	QTY	DESCRIPTION	NOTES
1	3856832	1	Gear housing	
2	3856833	1	* Gear housing	
3	873127	1	* * Bearing housing	
4	852484	1	* Countershaft	
5		1	* * Ring	
6	183752	2	* Cone	
7	183750	2	* Cup	
8	(852485)	1	* Lock nut	Obsolete part
9	851974	1	* Pretensioning sleeve	
10	852162	1	* Spacer sleeve	
11	948298	X	* Shim	TH=0.10mm
	948299	X	* Shim	TH=0.15mm
	948300	X	* Shim	TH=0.35mm
	(948303)	X	* Shim	TH=1.00mm, Obsolete part
12	852508	1	* Needle bearing	
13	873061	1	* Gear set	
14	850981	1	* Nut	
15	851652	1	* Propeller shaft	
16	181587	2	* Cup	
17	181588	2	* Inner ring	
18	873108	2	* Sealing ring	
19	925256	2	* O-ring	
20	946541	2	* Hex. socket screw	
21	897871	2	* Shim	
22	851980	X	* Adjusting washer	TH=0.10mm
	851981	X	* Adjusting washer	TH=0.15mm
	851982	X	* Adjusting washer	TH=0.35mm
	949074	X	* Shim	TH=0.50mm
23	876286	1	* Zinc ring kit	
24	949823	2	* Cross recessed screw	
25	851984	1	* Guard plate	
26	852904	1	* Magnetic plug	
27	955974	1	* O-ring	
28	925256	1	O-ring	Included in mounting kit 854934., Included in complete drive.
29	852724	1	Splined sleeve	Included in complete drive.
30	852081	4	* Disc spring	
31	852084	18	* Disc	
32	852522	17	* Disc	
33	852083	2	* Thrust washer	
34	852094	1	* Adjusting screw	
35	963699	4	Hex. socket screw	Included in complete drive., L=40mm
35A	851860	4	Hex. socket screw	L=40mm
35B	852668	X	Locking wire	L=700mm
36	963703	2	Hex. socket screw	Included in complete drive., L=60mm, Obsolete part
37	897511	10	Washer	Included in complete drive.
38	854932	1	Mounting kit	Included in complete drive.

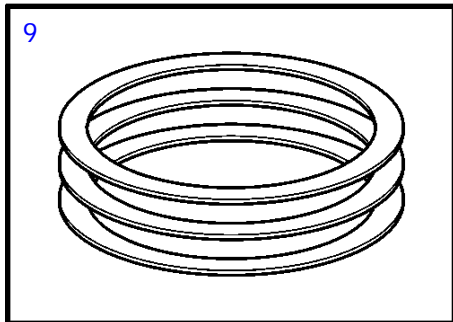
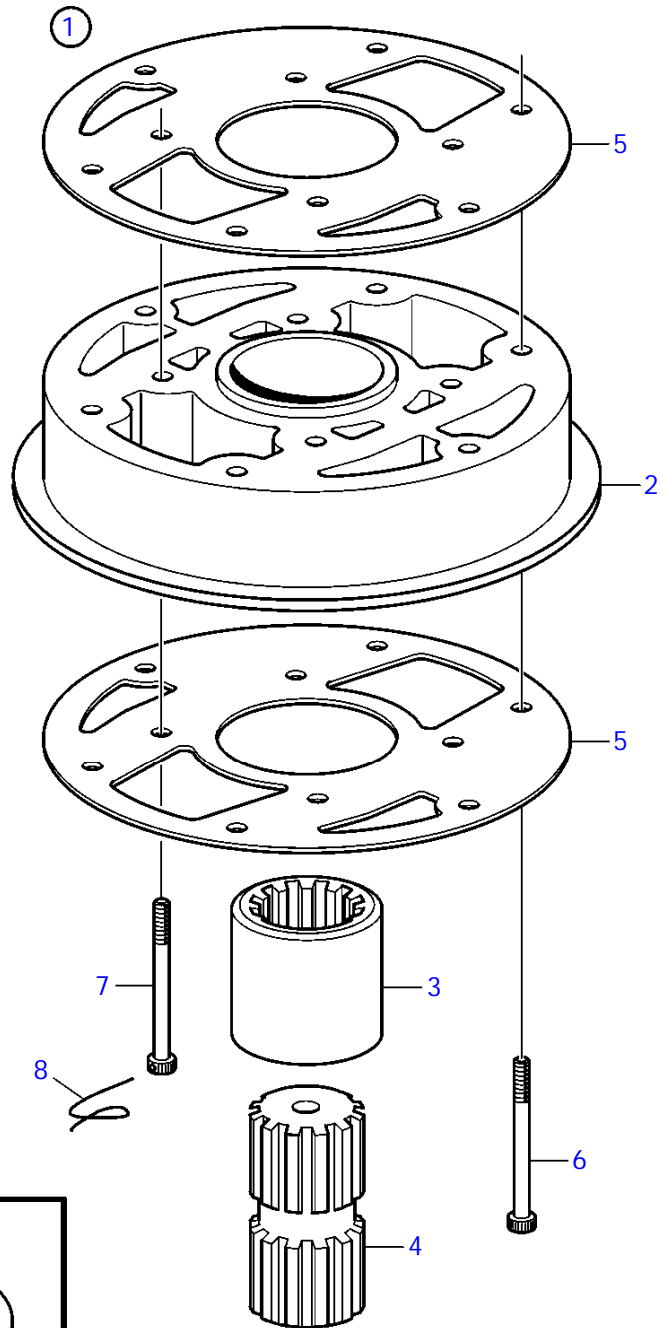
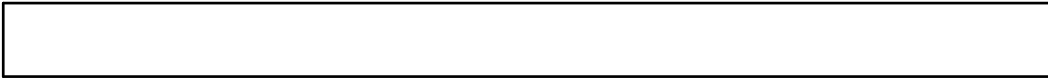
MD2010C, MD2010D, MD2020C, MD2020D, MD2030C, MD2030D, MD2040C, MD2040D



6266

MD2010C, MD2010D, MD2020C, MD2020D, MD2030C, MD2030D, MD2040C, MD2040D

REF	PART NO.	QTY	DESCRIPTION	NOTES
1	854173	1	Extension kit	L=51mm repl by 3858780
	3858780	1	Extension kit	L=51mm
2		1	* Extension bar	
3	852442	1	* Splined sleeve	For 854172, 854173
	875183	1	Splined sleeve	For 3858780, 3858781
4	852443	1	* Extension shaft	
5	3856834	2	* Gasket	(853892)
6	967686	4	* Hex. socket screw	L=90mm
	851858	4	* Hex. socket screw	L=90mm
	852688	4	* Hex. socket screw	L=105mm
7	967687	2	* * Hex. socket screw	L=110mm
8	852668	1	* * Locking wire	(852669)
9	948298	X	* * Shim	TH=0.10mm
	948299	X	* * Shim	TH=0.15mm
	948300	X	* * Shim	TH=0.35mm

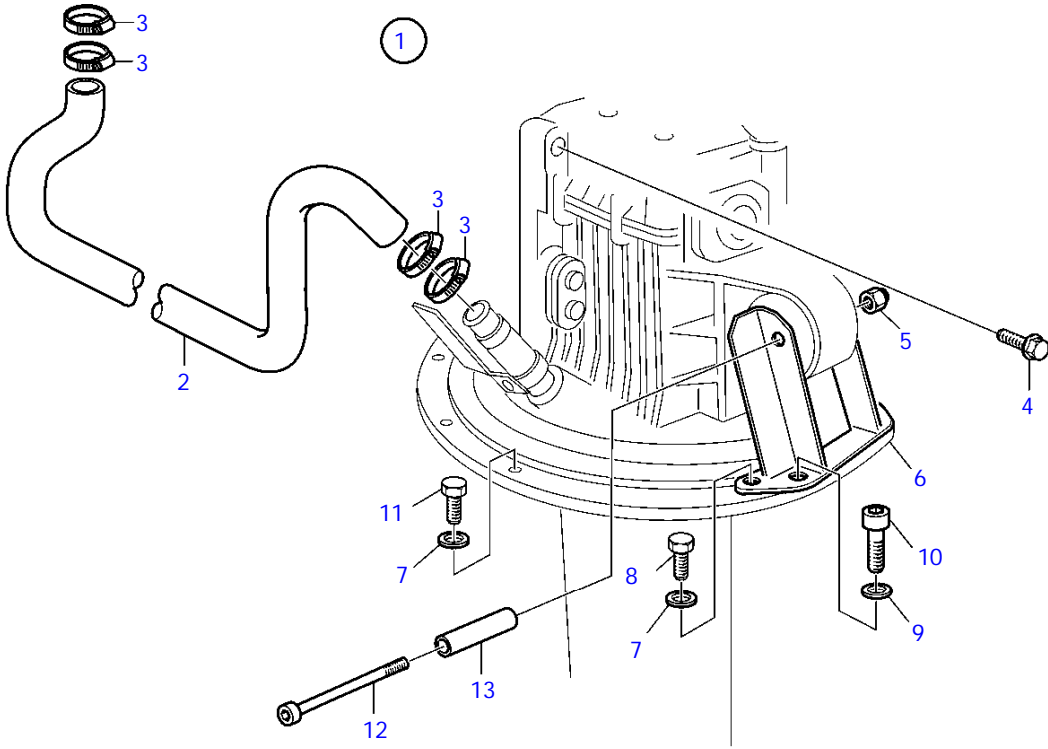


6266

--

REF	PART NO.	QTY	DESCRIPTION	NOTES
1	854172	1	Extension kit	L=102mm repl by 3858781
	3858781	1	Extension kit	L=102mm
2		1	* Extension bar	
3	852442	1	* Splined sleeve	For 854172, 854173
	875183	1	Splined sleeve	For 3858780, 3858781
4	852444	1	* Extension shaft	
5	3856834	2	* Gasket	(853892)
6	967688	4	* Hex. socket screw	L=140mm
	851859	4	* Hex. socket screw	L=140mm
	852689	4	Hex. socket screw	L=155mm
7	967689	2	* Hex. socket screw	L=160mm
8	852668	1	* Locking wire	(852669)
9	948298	X	* Shim	TH=0.10mm
	948299	X	* Shim	TH=0.15mm
	948300	X	* Shim	TH=0.35mm

MD2010D, MD2020D, MD2030D, MD2040D

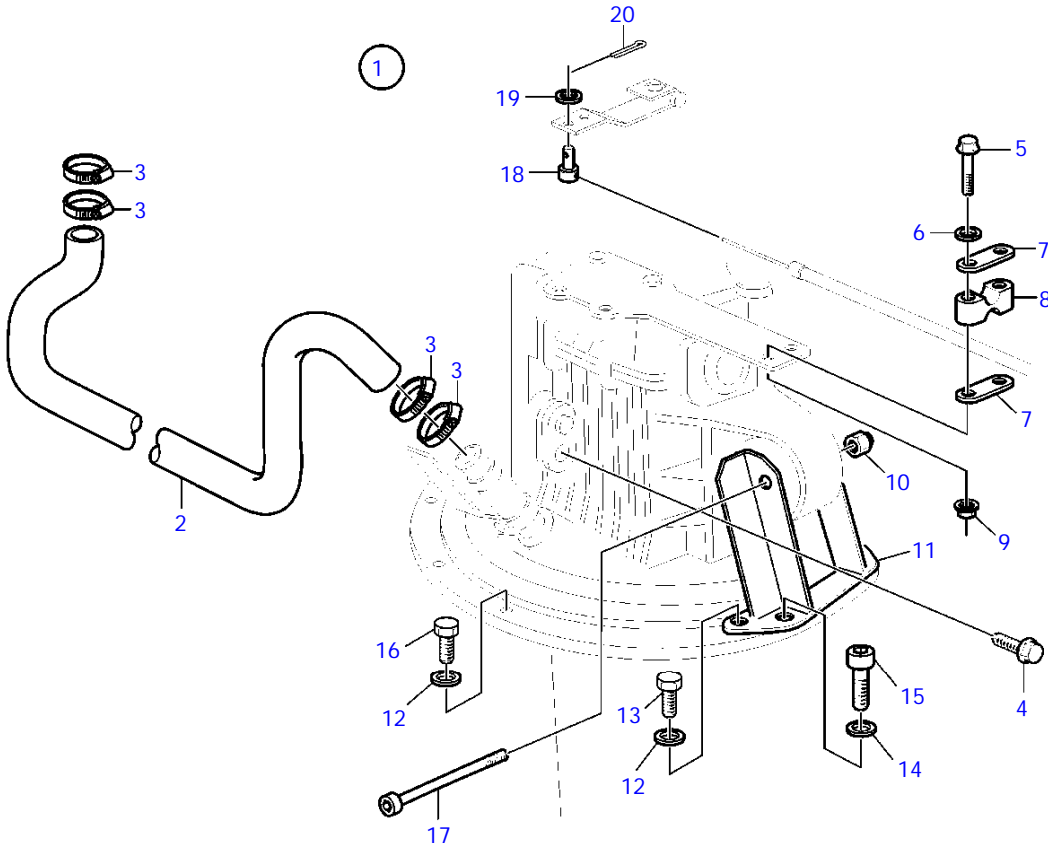


22328

MD2010D, MD2020D, MD2030D, MD2040D

REF	PART NO.	QTY	DESCRIPTION	SEE SEC.	NOTES
1	3582394	1	Drive unit		MS25S, ratio 2.19:1
	3584506		Drive		Replaced by 3584506
			*		
	3582395	1	Drive unit	8925	
	3584508		Drive gear set		Replaced by 3584508
			*		
			*	8925	
	3582396	1	Drive unit		Replaced by 3584506
	3584506		Drive		
			*		
			*	8925	
	3582397	1	Drive unit		Replaced by 3584508
	3584508		Drive gear set		
			*		
			*	8925	
2	3583866	1	Hose		
3	961666	4	Hose clamp		
4	965185	6	Flange screw		
5		1	Lock nut		
6	3841849	1	Bracket		
7	941670	10	Washer		
8	963568	2	Hexagon screw		
9	853095	2	Washer		
10		2	Hex. socket screw		
11	946730	8	Hexagon screw		
12		1	Hex. socket screw		
13	943707	1	Hose		

MD2010D, MD2020D, MD2030D, MD2040D

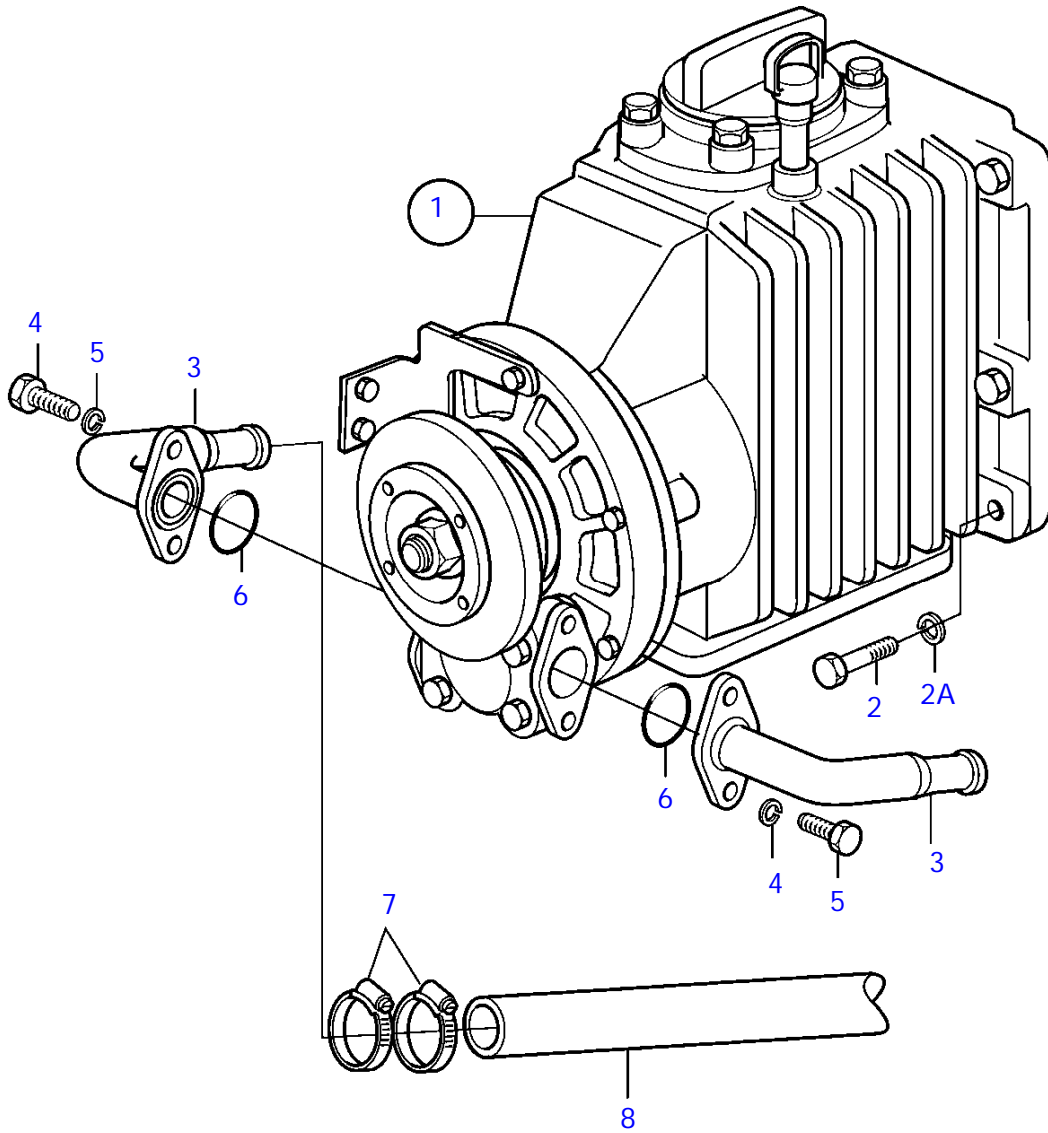


22329

MD2010D, MD2020D, MD2030D, MD2040D

REF	PART NO.	QTY	DESCRIPTION	NOTES
1	3584506	1	Drive	Replaced by 3819867
	3819867	1	Sail drive	
	3584508	1	Drive gear set	130S-A, ratio 2.47:1
2	3583866	1	Hose	
3	961666	4	Hose clamp	
4	965185	6	Flange screw	
5	969439	2	6 point socket screw	
6	940090	2	Washer	
7	872076	2	Washer	
8	872074	1	Retainer	
9	949874	2	Flange lock nut	
10		1	Lock nut	
11	3841849	1	Bracket	
12	941670	10	Washer	
13	963568	2	Hexagon screw	
14	853095	2	Washer	
15		2	Hex. socket screw	
16	946730	8	Hexagon screw	
17		1	Hex. socket screw	
18	3852329	1	Cube	
19	941906	1	Spring washer	
20	17276	1	Split pin	

MD2010C, MD2020C, MD2040C

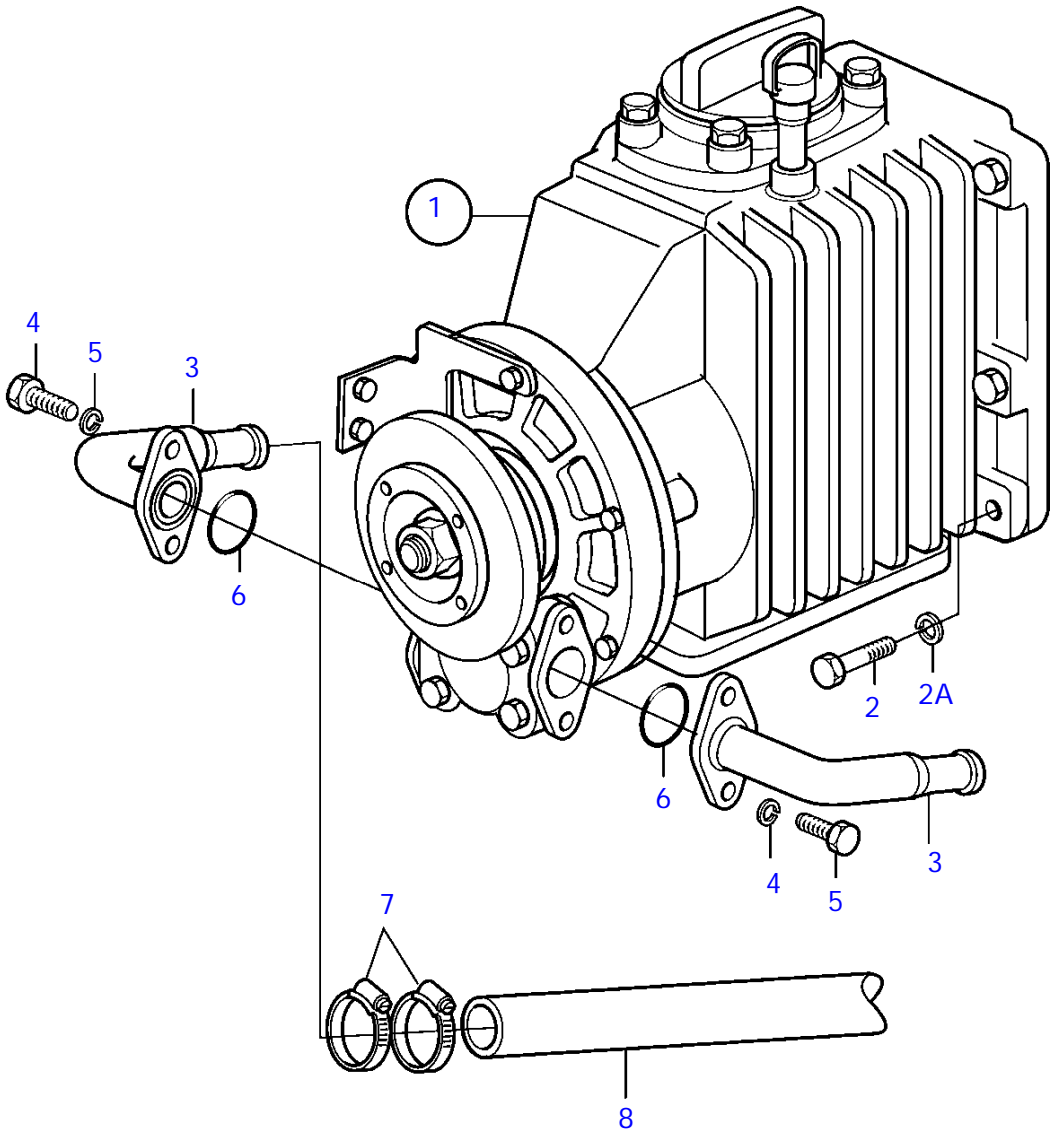


22344

MD2010C, MD2020C, MD2040C

REF	PART NO.	QTY	DESCRIPTION	SEE SEC.	NOTES
1	873077	1	Reversing gear		MS2A-E ratio 2.4:1
	(873078)	1	Reversing gear		MS2A-E ratio 3.0:1, Obsolete part
	873079	1	Reversing gear		MS2L-E ratio 2.3:1
			*		
			*	4204	
	3856823	1	Reversing gear		MS2L-E ratio 2.7:1
			*		
			*	4205	
2	965185	6	Flange screw		
3	873150	2	Coolant pipe		
4	967949	4	Flange screw		
5	941906	4	Spring washer		
6	842913	2	Sealing ring		
7	961666	2	Hose clamp		
8	943369	X	Rubber hose		Intake-sea water pump.

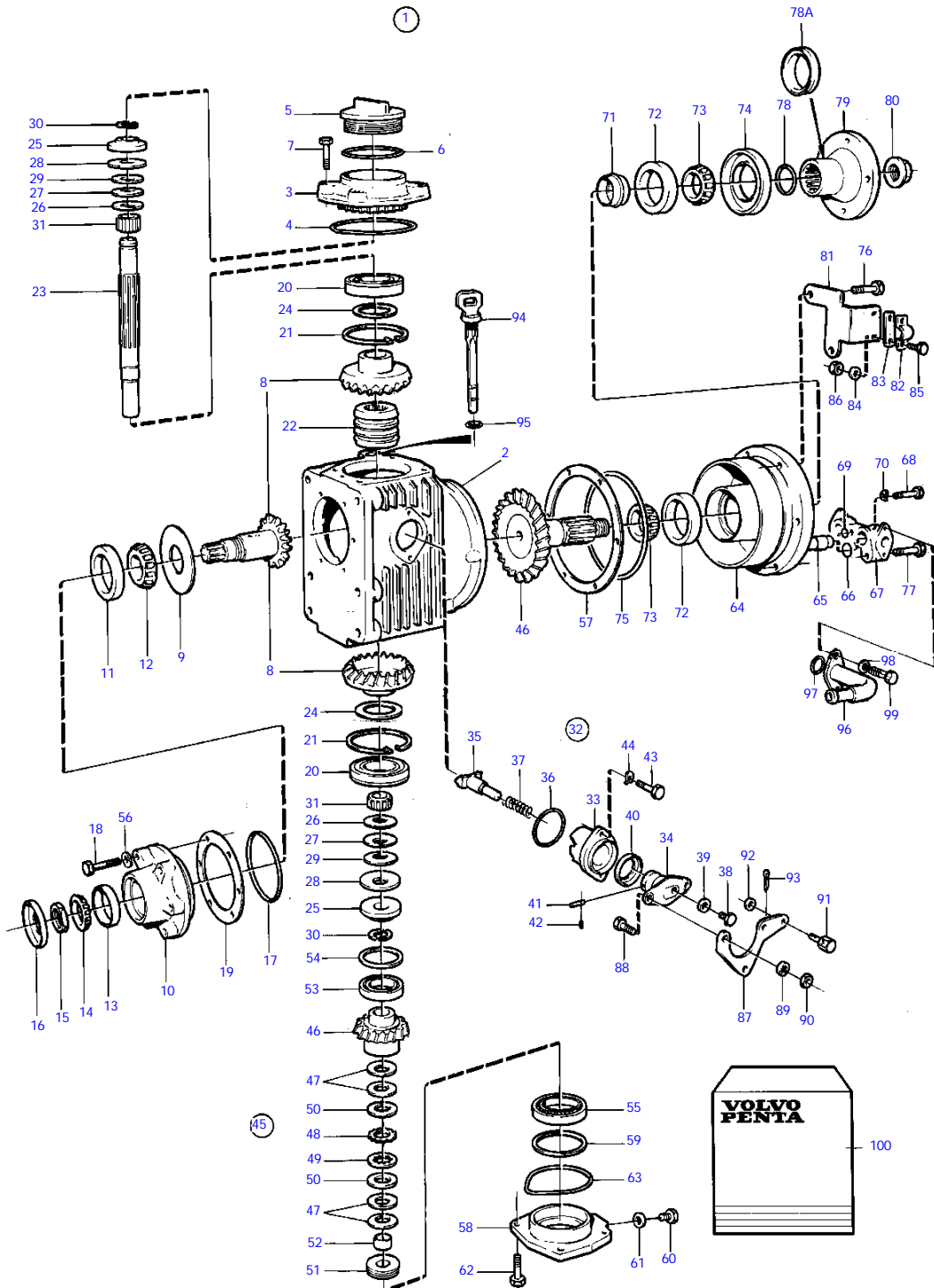
MD2030C



22344

MD2030C

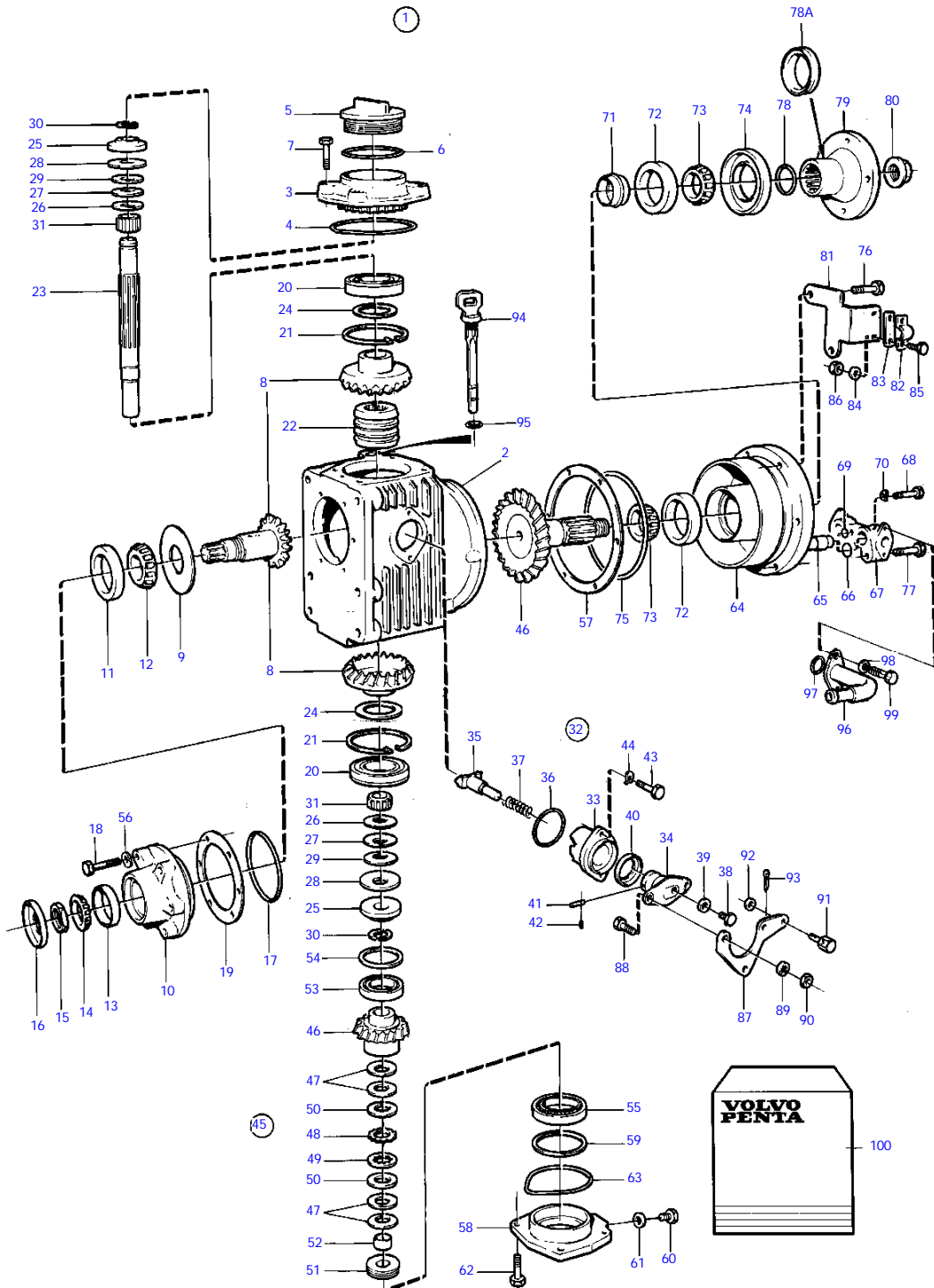
REF	PART NO.	QTY	DESCRIPTION	SEE SEC.	NOTES
1	873077	1	Reversing gear		MS2A-E ratio 2.4:1
	(873078)	1	Reversing gear		MS2A-E ratio 3.0:1, Obsolete part
	873079	1	Reversing gear		MS2L-E ratio 2.3:1
			.	4204	
	3856823	1	Reversing gear		MS2L-E ratio 2.7:1
			.	4205	
2	965185	6	Flange screw		
2A	941908	6	Spring washer		
3	873150	2	Coolant pipe		
4	955270	4	Hexagon screw		
5	941906	4	Spring washer		
6	842913	2	Sealing ring		
7	961666	2	Hose clamp		
8	943369	X	Rubber hose		Intake-sea water pump.



16133

REF	PART NO.	QTY	DESCRIPTION	NOTES
1	873077	1	Reversing gear	Ratio2.4:1 (873073)
2	3856827	1	* Gear housing	(873092)
3	873123	1	* Cardboard tube	
4	949962	1	* O-ring	
5	851754	1	* Filler cap	
6	1664473	1	* O-ring	Included in gasket kit.
7	946470	4	* Flange screw	(946671)
8	873095	1	* Gear set	
9	851621	1	* Turntable	
10	872710	1	* Bearing box	
11	181302	1	* Cup	
12	181301	1	* Inner ring	
13	183750	1	* Cup	
14	183752	1	* Cone	
15	(852485)	1	* Lock nut	Obsolete part
16	873094	1	* Sealing ring	
17	925093	1	* O-ring	
18	940101	6	* Hexagon screw	
19	851622	X	* Adjusting washer	TH=0.10mm
	851623	X	* Adjusting washer	TH=0.15mm
	851624	X	* Adjusting washer	TH=0.35mm
20	851756	2	* Bearing	
21	852190	2	* Lock ring	
22	873098	1	* Sliding sleeve	
23	873099	1	* Shaft	
24	941835	X	* Shim	D=71mm, TH=0,05mm
	852184	X	* Shim	D=43mm, TH=0,05mm
	84219	X	* Shim	TH=0.10mm
	949776	X	* Shim	TH=0.15mm
	84218	X	* Shim	TH=0.35mm
25	852079	2	* Lock washer	
26	852311	2	* Washer	
27	852317	2	* Washer	
28	852213	2	* Disc spring	
29	852080	6	* Disc spring	
30	851629	4	* Lock ring half	
31	851757	2	* Needle bearing	
32	851661	1	* Shift mechanism	
33	851662	1	* * Bearing housing	
34	3856008	1	* * Plunger	
	973593	1	* * Spring pin	
35	851664	1	* * Dog	
36	949659	1	* * O-ring	Included in gasket kit., (925065)
37	814184	1	* * Spring	Obsolete part
38	897711	1	* * Screw	
39	897871	X	* * Shim	TH=0,20mm
40	853868	1	* * Sealing ring	Included in gasket kit., (873291)
41	942871	1	* * Clevis pin	
42	951924	1	* * Spring pin	
43	965215	2	* Flange screw	(955296)
44	941907	2	* Spring washer	
45	852319	1	* Gear set	
46		2	* * Gear	
47	852081	4	* * Disc spring	
48	852084	18	* * Disc	
49	852522	17	* * Disc	
50	852083	2	* * Thrust washer	
51	852094	1	* * Adjusting screw	
52	852482	1	* * Bushing	
53	183518	1	* Roller bearing	
54	851705	X	* Adjusting washer	TH=0.10mm
	851706	X	* Adjusting washer	TH=0.15mm
	851707	X	* Adjusting washer	TH=0.35mm
55	183842	1	* Roller bearing	
56	941906	6	* Spring washer	
57	851702	X	* Adjusting washer	TH=0.10mm
	851703	X	* Adjusting washer	TH=0.15mm
	851704	X	* Adjusting washer	TH=0.35mm
58	873124	1	* Bearing cover	
59	87655	X	* Shim	TH=0.10mm
	191840	X	* Shim	TH=0.15mm
	87654	X	* Shim	TH=0.35mm
60	960629	1	* Plug	
61	947084	1	* Gasket	Included in gasket kit.
62	946470	4	* Flange screw	(946671)
63	925256	1	* O-ring	Included in gasket kit.
64	873125	1	* Bearing housing	
65	852159	1	* Oil cooler	
66	943309	2	* O-ring	Included in gasket kit.
67	873212	1	* Pipe connection	
68	969357	1	* Flange screw	(948081)
69	949750	1	* O-ring	Included in gasket kit.
70	941906	1	* Spring washer	
71	851974	1	* Pretensioning sleeve	
72	181302	2	* Cup	
73	181301	2	* Inner ring	
74	873100	1	* Sealing ring	Included in gasket kit.
75	925262	1	* O-ring	Included in gasket kit.
76	946470	4	* Flange screw	L=35mm
77	965180	2	* Flange screw	L=60mm

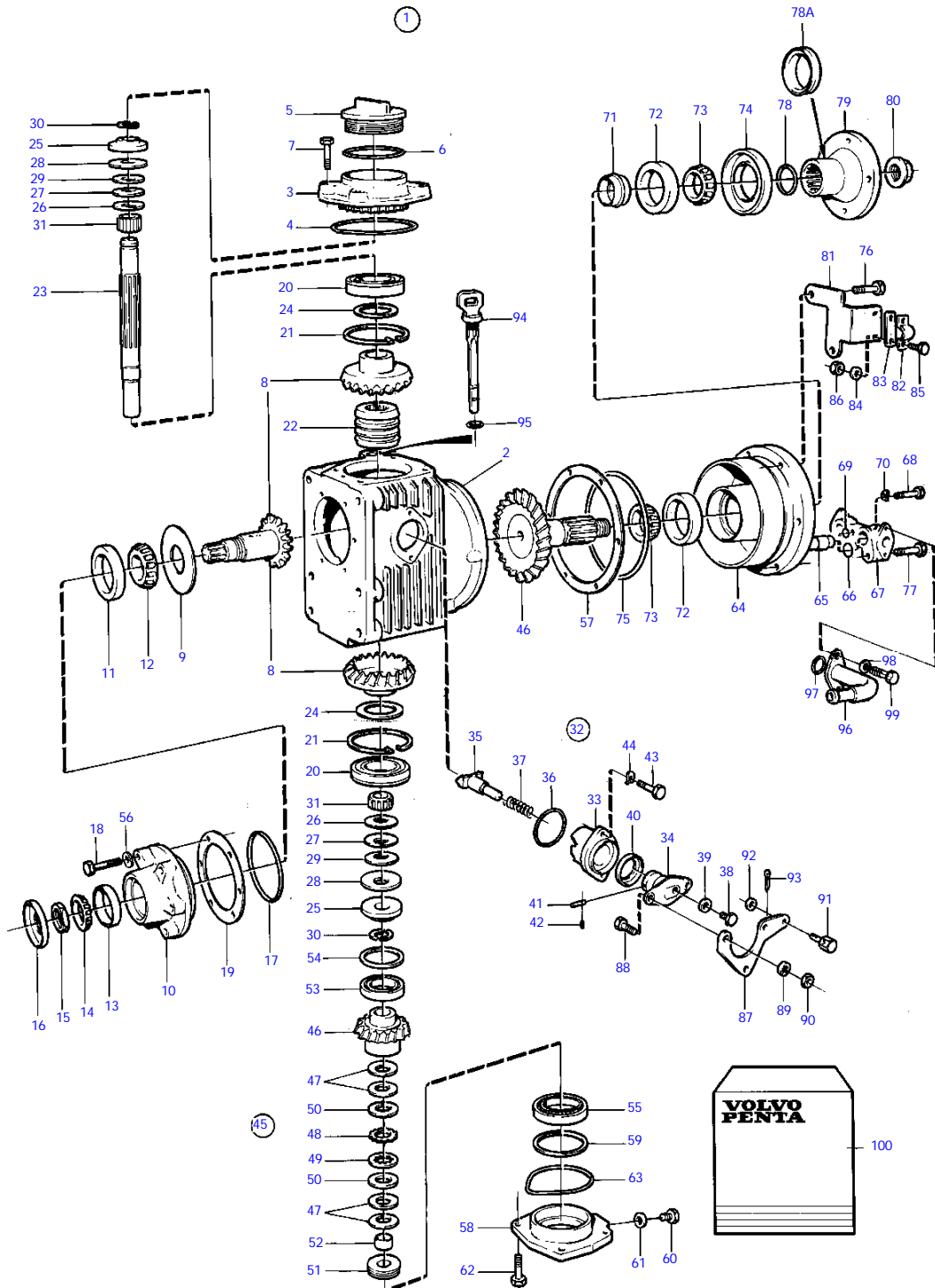
REF	PART NO.	QTY	DESCRIPTION	NOTES
78	949721	1	* O-ring	Included in gasket kit., (925062)
78A	944138	1	* Sealing ring	Included in gasket kit.
79	852076	1	* Companion flange	
80	947855	1	* Flange lock nut	
81	852168	1	* Bracket	
82	21471054	1	* Bracket	
83	819068	1	* Washer	
84	940090	2	* Washer	
85	969407	2	* 6 point socket screw	(955246)
86	949874	2	* Flange lock nut	(946577)
87	852363	1	* Intermediate lever	
88	955270	2	* Hexagon screw	
89	955948	2	* Toothed washer	
90	955781	2	* Hexagon nut	
91	833462	1	* Cube	
92	955892	1	* Washer	
93	17276	1	* Split pin	
94	873087	1	* Dipstick	
95	925055	1	* O-ring	
96	873150	2	* Coolant pipe	
97	842913	2	* Sealing ring	
98	941906	4	* Spring washer	
99	955270	4	* Hexagon screw	
100	875704	1	Gasket kit	



16133

REF	PART NO.	QTY	DESCRIPTION	NOTES
1	(873078)	1	Reversing gear	Ratio 3.0:1 (873074), Obsolete part
2	3856827	1	* Gear housing	(873092)
3	873123	1	* Cardboard tube	
4	949962	1	* O-ring	
5	851754	1	* Filler cap	
6	1664473	1	* O-ring	Included in gasket kit.
7	946470	4	* Flange screw	(946671)
8	873095	1	* Gear set	
9	851621	1	* Turntable	
10	872710	1	* Bearing box	
11	181302	1	* Cup	
12	181301	1	* Inner ring	
13	183750	1	* Cup	
14	183752	1	* Cone	
15	(852485)	1	* Lock nut	Obsolete part
16	873094	1	* Sealing ring	
17	925093	1	* O-ring	
18	940101	6	* Hexagon screw	
19	851622	X	* Adjusting washer	TH=0.10mm
	851623	X	* Adjusting washer	TH=0.15mm
	851624	X	* Adjusting washer	TH=0.35mm
20	851756	2	* Bearing	
21	852190	2	* Lock ring	
22	873098	1	* Sliding sleeve	
23	873099	1	* Shaft	
24	941835	X	* Shim	D=71mm, TH=0.05mm
	852184	X	* Shim	D=43mm, TH=0.05mm
	84219	X	* Shim	TH=0.10mm
	949776	X	* Shim	TH=0.15mm
	84218	X	* Shim	TH=0.35mm
25	852079	2	* Lock washer	
26	852311	2	* Washer	
27	852317	2	* Washer	
28	852213	2	* Disc spring	
29	852080	6	* Disc spring	
30	851629	4	* Lock ring half	
31	851757	2	* Needle bearing	
32	851661	1	* Shift mechanism	
33	851662	1	* * Bearing housing	
34	3856008	1	* * Plunger	
	973593	1	* * Spring pin	
35	851664	1	* * Dog	
36	949659	1	* * O-ring	Included in gasket kit., (925065)
37	814184	1	* * Spring	Obsolete part
38	897711	1	* * Screw	
39	897871	X	* * Shim	TH=0.20mm
40	853868	1	* * Sealing ring	Included in gasket kit., (873291)
41	942871	1	* * Clevis pin	
42	951924	1	* * Spring pin	
43	965215	2	* Flange screw	(955296)
44	941907	2	* Spring washer	
45	852438	1	* Gear set	
46		2	* * Gear	
47	852081	4	* * Disc spring	
48	852084	18	* * Disc	
49	852522	17	* * Disc	
50	852083	2	* * Thrust washer	
51	852094	1	* * Adjusting screw	
52	852482	1	* * Bushing	
53	183518	1	* Roller bearing	
54	851705	X	* Adjusting washer	TH=0.10mm
	851706	X	* Adjusting washer	TH=0.15mm
	851707	X	* Adjusting washer	TH=0.35mm
55	183842	1	* Roller bearing	
56	941906	6	* Spring washer	
57	851702	X	* Adjusting washer	TH=0.10mm
	851703	X	* Adjusting washer	TH=0.15mm
	851704	X	* Adjusting washer	TH=0.35mm
58	873124	1	* Bearing cover	
59	87655	X	* Shim	TH=0.10mm
	191840	X	* Shim	TH=0.15mm
	87654	X	* Shim	TH=0.35mm
60	960629	1	* Plug	
61	947084	1	* Gasket	Included in gasket kit.
62	946470	4	* Flange screw	(946671)
63	925256	1	* O-ring	Included in gasket kit.
64	873125	1	* Bearing housing	
65	852159	1	* Oil cooler	
66	943309	2	* O-ring	Included in gasket kit.
67	873212	1	* Pipe connection	
68	969357	1	* Flange screw	(948081)
69	949750	1	* O-ring	Included in gasket kit.
70	941906	1	* Spring washer	
71	851974	1	* Pretensioning sleeve	
72	181302	2	* Cup	
73	181301	2	* Inner ring	
74	873100	1	* Sealing ring	Included in gasket kit.
75	925262	1	* O-ring	Included in gasket kit.
76	946470	4	* Flange screw	L=35mm
77	965180	2	* Flange screw	L=60mm

REF	PART NO.	QTY	DESCRIPTION	NOTES
78	949721	1	* O-ring	Included in gasket kit., (925062)
78A	944138	1	* Sealing ring	Included in gasket kit.
79	852076	1	* Companion flange	
80	947855	1	* Flange lock nut	
81	852168	1	* Bracket	
82	21471054	1	* Bracket	
83	819068	1	* Washer	
84	940090	2	* Washer	
85	969407	2	* 6 point socket screw	(955246)
86	949874	2	* Flange lock nut	(946577)
87	852363	1	* Intermediate lever	
88	955270	2	* Hexagon screw	
89	955948	2	* Toothed washer	
90	955781	2	* Hexagon nut	
91	833462	1	* Cube	
92	955892	1	* Washer	
93	17276	1	* Split pin	
94	873087	1	* Dipstick	
95	925055	1	* O-ring	
96	873150	2	* Coolant pipe	
97	842913	2	* Sealing ring	
98	941906	4	* Spring washer	
99	955270	4	* Hexagon screw	
100	875704	1	Gasket kit	



16133

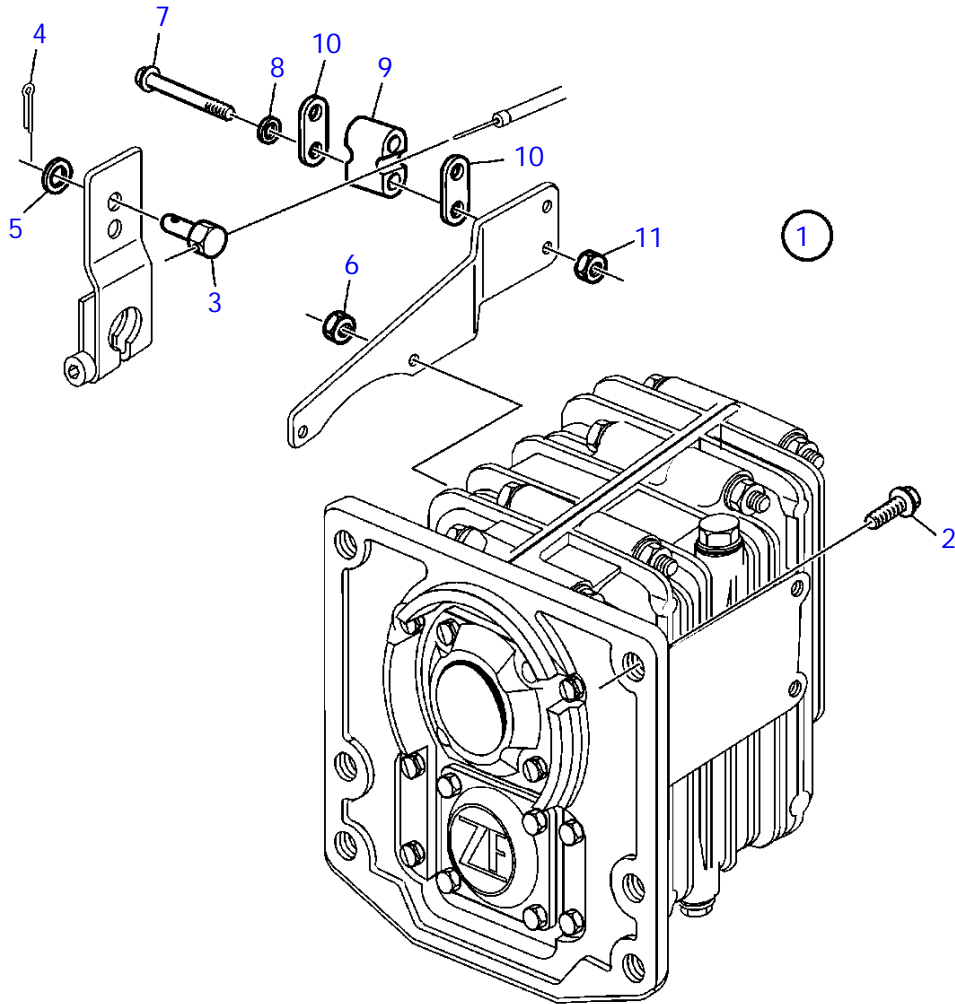
REF	PART NO.	QTY	DESCRIPTION	NOTES
1	873079	1	Reversing gear	Ratio 2.3:1 (873075)
2	3856827	1	* Gear housing	(873092)
3	873123	1	* Cardboard tube	
4	949962	1	* O-ring	
5	851754	1	* Filler cap	
6	1664473	1	* O-ring	Included in gasket kit.
7	946470	4	* Flange screw	(946671)
8	873095	1	* Gear set	
9	851621	1	* Turntable	
10	872710	1	* Bearing box	
11	181302	1	* Cup	
12	181301	1	* Inner ring	
13	183750	1	* Cup	
14	183752	1	* Cone	
15	(852485)	1	* Lock nut	Obsolete part
16	873094	1	* Sealing ring	
17	925093	1	* O-ring	
18	940101	6	* Hexagon screw	
19	851622	X	* Adjusting washer	TH=0.10mm
	851623	X	* Adjusting washer	TH=0.15mm
	851624	X	* Adjusting washer	TH=0.35mm
20	851756	2	* Bearing	
21	852190	2	* Lock ring	
22	873098	1	* Sliding sleeve	
23	873099	1	* Shaft	
24	941835	X	* Shim	D=71mm, TH=0,05mm
	852184	X	* Shim	D=43mm, TH=0,05mm
	84219	X	* Shim	TH=0.10mm
	949776	X	* Shim	TH=0.15mm
	84218	X	* Shim	TH=0.35mm
25	852079	2	* Lock washer	
26	852311	2	* Washer	
27	852317	2	* Washer	
28	852213	2	* Disc spring	
29	852080	6	* Disc spring	
30	851629	4	* Lock ring half	
31	851757	2	* Needle bearing	
32	851661	1	* Shift mechanism	
33	851662	1	* * Bearing housing	
34	3856008	1	* * Plunger	
	973593	1	* * Spring pin	
35	851664	1	* * Dog	
36	949659	1	* * O-ring	Included in gasket kit., (925065)
37	814184	1	* * Spring	Obsolete part
38	897711	1	* * Screw	
39	897871	X	* * Shim	TH=0,20mm
40	853868	1	* * Sealing ring	Included in gasket kit., (873291)
41	942871	1	* * Clevis pin	
42	951924	1	* * Spring pin	
43	965215	2	* Flange screw	(955296)
44	941907	2	* Spring washer	
45	854284	1	* Gear set	
46		2	* * Gear	
47	852081	4	* * Disc spring	
48	852084	18	* * Disc	
49	852522	17	* * Disc	
50	852083	2	* * Thrust washer	
51	852094	1	* * Adjusting screw	
52	852482	1	* * Bushing	
53	183518	1	* Roller bearing	
54	851705	X	* Adjusting washer	TH=0.10mm
	851706	X	* Adjusting washer	TH=0.15mm
	851707	X	* Adjusting washer	TH=0.35mm
55	183842	1	* Roller bearing	
56	941906	6	* Spring washer	
57	851702	X	* Adjusting washer	TH=0.10mm
	851703	X	* Adjusting washer	TH=0.15mm
	851704	X	* Adjusting washer	TH=0.35mm
58	873129	1	* Bearing cover	
59	87655	X	* Shim	TH=0.10mm
	191840	X	* Shim	TH=0.15mm
	87654	X	* Shim	TH=0.35mm
60	960629	1	* Plug	
61	947084	1	* Gasket	Included in gasket kit.
62	946470	4	* Flange screw	(946671)
63	925256	1	* O-ring	Included in gasket kit.
64	873130	1	* Bearing housing	
65	853940	1	* Oil cooler	
66	943309	2	* O-ring	Included in gasket kit.
67	873212	1	* Pipe connection	
68	969357	1	* Flange screw	(948081)
69	949750	1	* O-ring	Included in gasket kit.
70	941906	1	* Spring washer	
71	851974	1	* Pretensioning sleeve	
72	181302	2	* Cup	
73	181301	2	* Inner ring	
74	873100	1	* Sealing ring	Included in gasket kit.
75	925262	1	* O-ring	Included in gasket kit.
76	946470	4	* Flange screw	L=35mm
77	965180	2	* Flange screw	L=60mm

REF	PART NO.	QTY	DESCRIPTION	NOTES
78	949721	1	* O-ring	Included in gasket kit., (925062)
78A	944138	1	* Sealing ring	Included in gasket kit.
79	852076	1	* Companion flange	
80	947855	1	* Flange lock nut	
81	852168	1	* Bracket	
82	21471054	1	* Bracket	
83	819068	1	* Washer	
84	940090	2	* Washer	
85	969407	2	* 6 point socket screw	(955246)
86	949874	2	* Flange lock nut	(946577)
87	852363	1	* Intermediate lever	
88	955270	2	* Hexagon screw	
89	955948	2	* Toothed washer	
90	955781	2	* Hexagon nut	
91	833462	1	* Cube	
92	955892	1	* Washer	
93	17276	1	* Split pin	
94	873087	1	* Dipstick	
95	925055	1	* O-ring	
96	873150	2	* Coolant pipe	
97	842913	2	* Sealing ring	
98	941906	4	* Spring washer	
99	955270	4	* Hexagon screw	
100	875704	1	Gasket kit	

REF	PART NO.	QTY	DESCRIPTION	NOTES
1	3856823	1	Reversing gear	Ratio 2.7:1
2	3856827	1	* Gear housing	(873092)
3	873123	1	* Cardboard tube	
4	949962	1	* O-ring	
5	851754	1	* Filler cap	
6	1664473	1	* O-ring	Included in gasket kit.
7	946470	4	* Flange screw	
8	873095	1	* Gear set	
9	851621	1	* Turntable	
10	872710	1	* Bearing box	
11	181302	1	* Cup	
12	181301	1	* Inner ring	
13	183750	1	* Cup	
14	183752	1	* Cone	
15	(852485)	1	* Lock nut	Obsolete part
16	873094	1	* Sealing ring	
17	925093	1	* O-ring	
18	940101	6	* Hexagon screw	
19	851622	X	* Adjusting washer	TH=0.10mm
	851623	X	* Adjusting washer	TH=0.15mm
	851624	X	* Adjusting washer	TH=0.35mm
20	851756	2	* Bearing	
21	852190	2	* Lock ring	
22	873098	1	* Sliding sleeve	
23	873099	1	* Shaft	
24	941835	X	* Shim	D=71mm, TH=0,05mm
	852184	X	* Shim	D=43mm, TH=0,05mm
	84219	X	* Shim	TH=0.10mm
	949776	X	* Shim	TH=0.15mm
	84218	X	* Shim	TH=0.35mm
25	852079	2	* Lock washer	
26	852311	2	* Washer	
27	852317	2	* Washer	
28	852213	2	* Disc spring	
29	852080	6	* Disc spring	
30	851629	4	* Lock ring half	
31	851757	2	* Needle bearing	
32	851661	1	* Shift mechanism	
33	851662	1	* * Bearing housing	
34	3856008	1	* * Plunger	
	973593	1	* * Spring pin	
35	851664	1	* * Dog	
36	949659	1	* * O-ring	Included in gasket kit., (925065)
37	814184	1	* * Spring	Obsolete part
38	897711	1	* * Screw	
39	897871	X	* * Shim	TH=0,20mm
40	853868	1	* * Sealing ring	Included in gasket kit., (873291)
41	942871	1	* * Clevis pin	
42	973593	1	* * Spring pin	(951924)
43	965215	2	* Flange screw	(955296)
44	941907	2	* Spring washer	
45	3856824	1	* Drive gear set	
46		1	* * Gear	
		1	* * Pinion	
47	852081	4	* Disc spring	
48	852084	18	* Disc	
49	852522	17	* Disc	
50	852083	2	* Thrust washer	
51	852094	1	* Adjusting screw	
52	852482	1	* Bushing	
53	183518	1	* Roller bearing	
54	851705	X	* Adjusting washer	TH=0.10mm
	851706	X	* Adjusting washer	TH=0.15mm
	851707	X	* Adjusting washer	TH=0.35mm
55	183842	1	* Roller bearing	
56	941906	6	* Spring washer	
57	851702	X	* Adjusting washer	TH=0.10mm
	851703	X	* Adjusting washer	TH=0.15mm
	851704	X	* Adjusting washer	TH=0.35mm
58	873129	1	* Bearing cover	
59	87655	X	* Shim	TH=0.10mm
	191840	X	* Shim	TH=0.15mm
	87654	X	* Shim	TH=0.35mm
60	960629	1	* Plug	
61	947084	1	* Gasket	Included in gasket kit.
62	946470	4	* Flange screw	
63	925256	1	* O-ring	Included in gasket kit.
64	873130	1	* Bearing housing	
65	853940	1	* Oil cooler	
66	943309	2	* O-ring	Included in gasket kit.
67	873212	1	* Pipe connection	
68	969357	1	* Flange screw	
69	949750	1	* O-ring	Included in gasket kit.
70	941906	1	* Spring washer	
71	851974	1	* Pretensioning sleeve	
72	181302	2	* Cup	
73	181301	2	* Inner ring	
74	873100	1	* Sealing ring	Included in gasket kit.
75	925262	1	* O-ring	Included in gasket kit.
76	946470	2	* Flange screw	L=35mm

REF	PART NO.	QTY	DESCRIPTION	NOTES
	947760	2	* Flange screw	L=40mm
77	965180	2	* Flange screw	L=60mm
78	949721	1	* O-ring	Included in gasket kit.
78A	944138	1	* Sealing ring	Included in gasket kit.
79	852076	1	* Companion flange	
80	947855	1	* Flange lock nut	
81	852168	1	* Bracket	
82	21471054	1	* Bracket	
83	819068	1	* Washer	
84	940090	2	* Washer	
85	969407	2	* 6 point socket screw	
86	949874	2	* Flange lock nut	
87	852363	1	* Intermediate lever	
88	955270	2	* Hexagon screw	
89	955948	2	* Toothed washer	
90	955781	2	* Hexagon nut	
91	833462	1	* Cube	
92	955892	1	* Washer	
93	17276	1	* Split pin	
94	873087	1	* Dipstick	
95	925055	1	* O-ring	
96	873150	2	* Coolant pipe	
97	842913	2	* Sealing ring	
98	941906	4	* Spring washer	
99	955270	4	* Hexagon screw	
100	875704	1	Gasket kit	

MD2010D, MD2020D, MD2030D

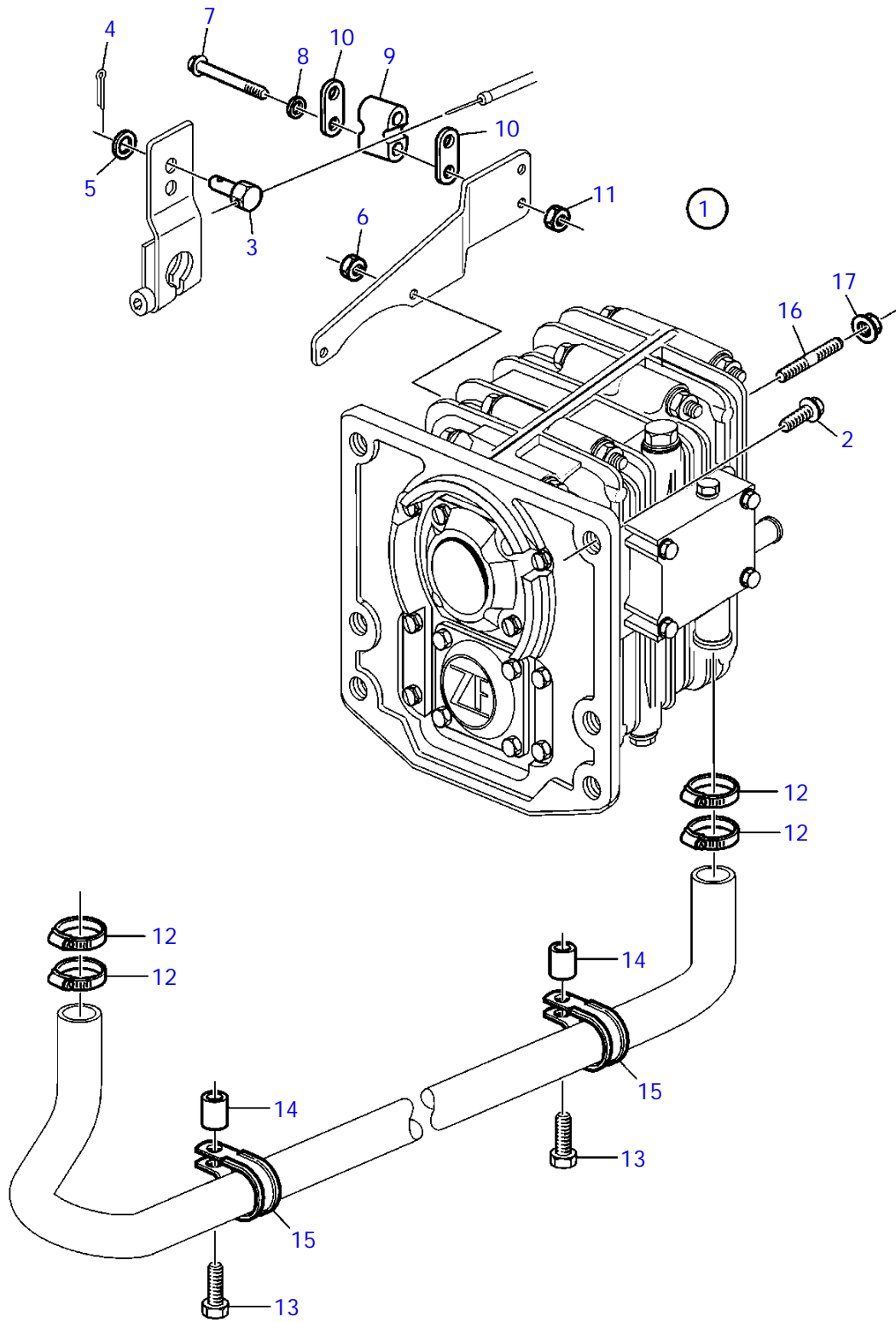


22330

MD2010D, MD2020D, MD2030D

REF	PART NO.	QTY	DESCRIPTION	NOTES
1	3582385	1	Reversing gear	
	3582386	1	Reversing gear	
	3582387	1	Reversing gear	
	(3582388)	1	Reversing gear	Obsolete part
2	946329	6	Flange screw	
3	814082	1	Cube	
4	17276	1	Split pin	
5	941906	1	Spring washer	
6	945467	1	Lock nut	
7	969439	2	6 point socket screw	
8	940090	1	Washer	
9	872074	1	Retainer	
10	872076	2	Washer	
11	949874	2	Flange lock nut	

MD2040D

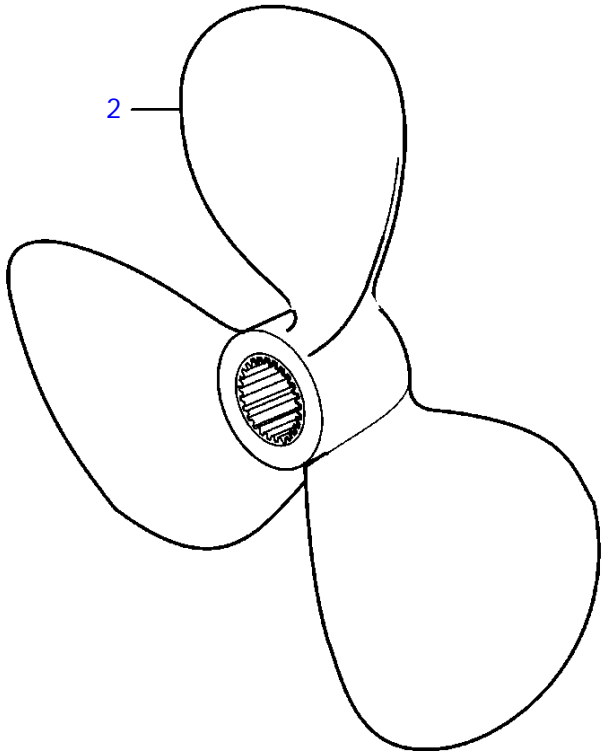
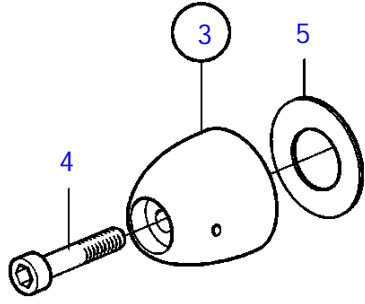
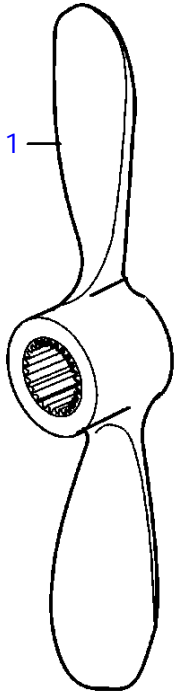


22331

MD2040D

REF	PART NO.	QTY	DESCRIPTION	NOTES
1	3582389	1	Reversing gear	MS15L-A, ratio 2.14:1
	3582390	1	Reversing gear	MS15L-A, ratio 2.63:1
	3582391	1	Reversing gear	MS15A-A, ratio 2.14:1
	3582392	1	Reversing gear	MS15A-A, ratio 2.63:1
2	946329	6	Flange screw	
3	3852329	1	Cube	
4	17276	1	Split pin	
5	941906	1	Spring washer	
6	945467	1	Lock nut	
7	969439	2	6 point socket screw	
8	940090	2	Washer	
9	872074	1	Retainer	
10	872076	2	Washer	
11	949874	2	Flange lock nut	
12	961666	4	Hose clamp	
13	948356	2	Flange screw	
14	830674	2	Spacer sleeve	
15	952635	2	Clamp	
16	953063	1	Stud	
17	971095	1	Flange nut	For MS15A-A

MD2010C, MD2010D, MD2020C, MD2020D, MD2030C, MD2030D, MD2040C, MD2040D



24074



Propeller for S-drive

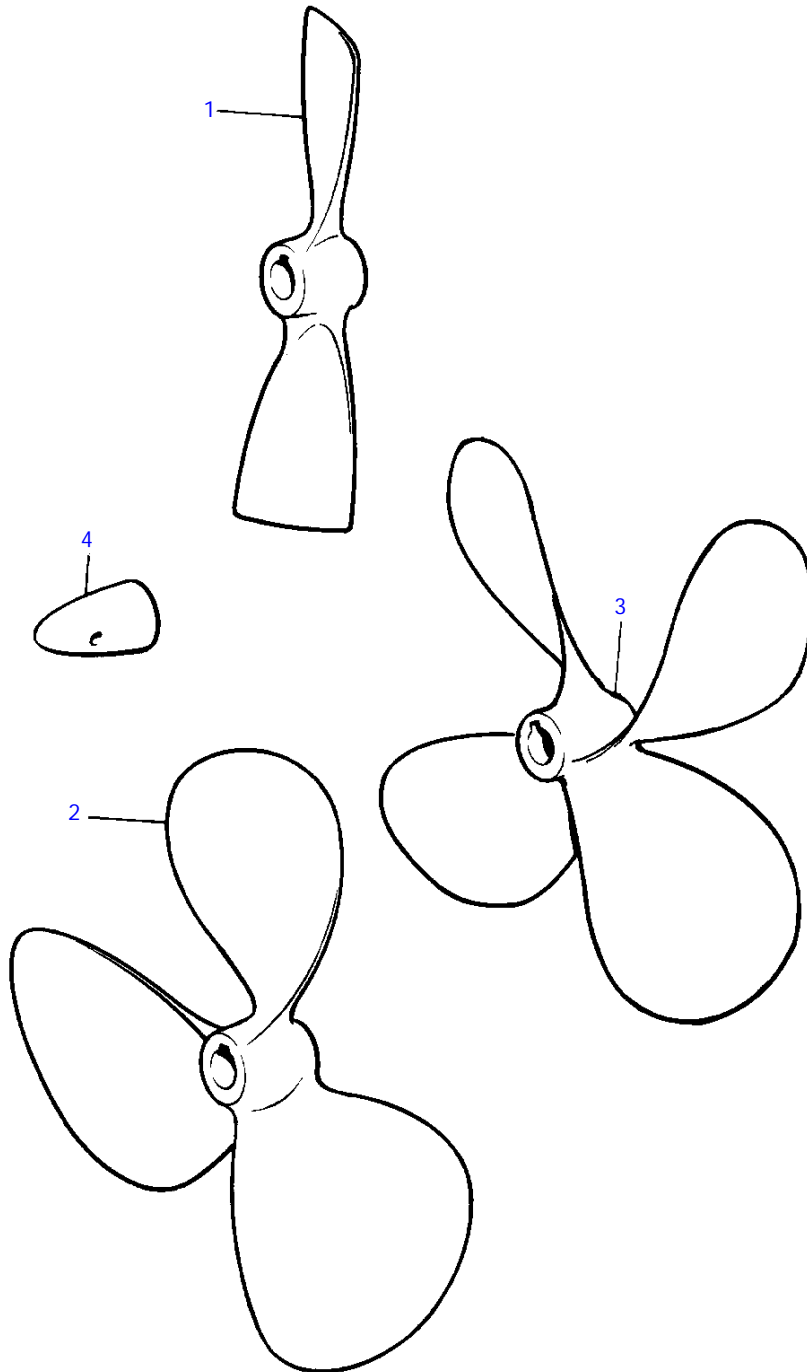
44

MD2010C, MD2010D, MD2020C, MD2020D, MD2030C, MD2030D, MD2040C, MD2040D

REF	PART NO.	QTY	DESCRIPTION	NOTES
1	850261	1	Propeller	Left 14x7
	853346	1	Propeller	Left 14x8
	850341	1	Propeller	Left 14x9
	3583867	1	Propeller	Left 14x11
	3583868	1	Propeller	Left 15x11
	850342	1	Propeller	Left 16x11
	852116	1	Propeller	Left 16x13
	852510	1	Propeller	Left 17x14
	853583	1	Propeller	Left 17x16
	3583578	1	Propeller	Left 17x17
	889658	1	Propeller	Left 19x17
2	850658	1	Propeller	Left 14x9
	851419	1	Propeller	Left 14x11
	850659	1	Propeller	Left 14x12
	851988	1	Propeller	Left 15x12
	850672	1	Propeller	Left 15x13
	852017	1	Propeller	Left 16x11
	873369	1	Propeller	Left 17x12
	852117	1	Propeller	Left 17x13
	853588	1	Propeller	Left 17x14
	873368	1	Propeller	Left 17x15
	3583577	1	Propeller	Left 17x16
	889659	1	Propeller	Left 18x16
3	850396	1	Propeller cone kit	
4	851773	1	* Screw	
5	850888	1	* Plastic washer	



MD2010C, MD2010D, MD2020C, MD2020D, MD2030C, MD2030D, MD2040C, MD2040D



15176

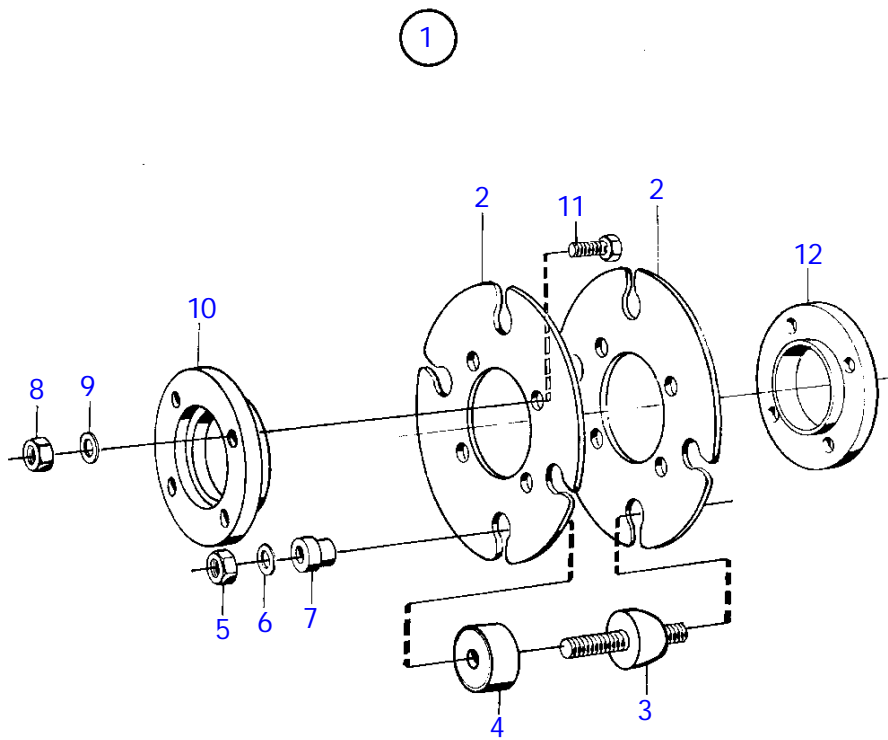
MD2010C, MD2010D, MD2020C, MD2020D, MD2030C, MD2030D, MD2040C, MD2040D

REF	PART NO.	QTY	DESCRIPTION	NOTES
1	(873392)	1	Propeller	Left 14x8x25, Obsolete part
	(873402)	1	Propeller	Left 14x10x25, Obsolete part
	(873403)	1	Propeller	Left 15x9x25, Obsolete part
	(873393)	1	Propeller	Left 15x11x25, Obsolete part
	(873394)	1	Propeller	Left 16x10x25, Obsolete part
	(873404)	1	Propeller	Left 16x11,5x25, Obsolete part
	(873405)	1	Propeller	Left 16x13x25, Obsolete part
	(873406)	1	Propeller	Left 17x12x25, Obsolete part
	(873407)	1	Propeller	Left 18x13x25, Obsolete part
	(873408)	1	Propeller	Left 18x15x25, Obsolete part
	(873409)	1	Propeller	LH 18x15x30, Obsolete part
	(873410)	1	Propeller	Left 18x13x35, Obsolete part
2	(873382)	1	Propeller	Left 12x9x25, Obsolete part
	(873417)	1	Propeller	Left 13x9x25, Obsolete part
	(873418)	1	Propeller	Left 14x9x25, Obsolete part
	(873419)	1	Propeller	Left 14x10x25, Obsolete part
	(873383)	1	Propeller	Left 14x11x25, Obsolete part
	(873420)	1	Propeller	Left 14x13x25, Obsolete part
	(873384)	1	Propeller	Left 15x10x25, Obsolete part
	(873421)	1	Propeller	Left 15x11x25, Obsolete part
	(873422)	1	Propeller	Left 15x12x25, Obsolete part
	(873423)	1	Propeller	Left 15x13x25, Obsolete part
	(873424)	1	Propeller	Left 15x14x25, Obsolete part
	(873425)	1	Propeller	Left 16x11x25, Obsolete part
	(873426)	1	Propeller	Left 16x12x25, Obsolete part
	(873427)	1	Propeller	Left 16x13x25, Obsolete part
	(873428)	1	Propeller	Left 16x14x25, Obsolete part
	(873429)	1	Propeller	Left 17x14x25, Obsolete part
	(873431)	1	Propeller	Left 17x15x25, Obsolete part
	(873433)	1	Propeller	Left 18x16x25, Obsolete part
	(3856279)	1	Propeller	Left 15x12x30, Obsolete part
	(3856280)	1	Propeller	Left 15x13x30, Obsolete part
	(3856281)	1	Propeller	Left 15x14x30, Obsolete part
	(3856282)	1	Propeller	Left 15x15x30, Obsolete part
	(3856283)	1	Propeller	Left 15x16x30 (873434), Obsolete part
	(3856284)	1	Propeller	Left 16x11x30, Obsolete part
	(3856285)	1	Propeller	Left 16x12x30, Obsolete part
	(3856286)	1	Propeller	Left 16x13x30, Obsolete part
	(3856287)	1	Propeller	Left 16x14x30, Obsolete part
	(3856288)	1	Propeller	Left 17x11x30, Obsolete part
	(3856289)	1	Propeller	Left 17x12x30 (873435), Obsolete part
	(3856290)	1	Propeller	Left 17x13x30 (873436), Obsolete part
	(3856291)	1	Propeller	Left 17x14x30 (873437), Obsolete part
	(3856292)	1	Propeller	Left 17x15x30 (873438), Obsolete part
	(3856293)	1	Propeller	Left 17x16x30 (873439), Obsolete part
	(3856294)	1	Propeller	Left 17x17x30, Obsolete part
	(3856295)	1	Propeller	Left 19x13x30, Obsolete part
	(3856296)	1	Propeller	Left 19x14x30, Obsolete part
	(3856297)	1	Propeller	Left 19x15x30 (873440), Obsolete part
	(3856298)	1	Propeller	Left 19x16x30 (873441), Obsolete part
	(3856299)	1	Propeller	Left 19x17x30 (873442), Obsolete part
	(3856300)	1	Propeller	Left 19x19x30 (873443), Obsolete part
	(3856301)	1	Propeller	Left 16x11x35, Obsolete part
	(3856302)	1	Propeller	Left 16x12x35, Obsolete part
	(873444)	1	Propeller	Left 16x13x35 (871217), Obsolete part
	(3856303)	1	Propeller	Left 16x14x35, Obsolete part
	(873445)	1	Propeller	Left 16x15x35 (871218), Obsolete part
	(873446)	1	Propeller	Left 17x11x35 (871219), Obsolete part
	(873447)	1	Propeller	Left 17x12x35 (871220), Obsolete part
	(873448)	1	Propeller	Left 17x13x35 (871221), Obsolete part
	(873449)	1	Propeller	Left 17x14x35 (871222), Obsolete part
	(873450)	1	Propeller	Left 17x15x35 (871223), Obsolete part
	(873451)	1	Propeller	Left 17x16x35 (871224), Obsolete part
	(873452)	1	Propeller	Left 17x17x35 (871187), Obsolete part
	(3856304)	1	Propeller	Left 18x13x35, Obsolete part
	(3856305)	1	Propeller	Left 18x14x35, Obsolete part
	(3856306)	1	Propeller	Left 18x15x35, Obsolete part
	(3856307)	1	Propeller	Left 18x16x35, Obsolete part
	(3856308)	1	Propeller	Left 18x17x35, Obsolete part
	(3856309)	1	Propeller	Left 18x18x35, Obsolete part
	(873453)	1	Propeller	Left 19x17x35 (871225), Obsolete part
	(873455)	1	Propeller	Left 19x15x40 (871228), Obsolete part
	(873456)	1	Propeller	Left 19x17x40 (871229), Obsolete part
	(873457)	1	Propeller	Left 19x19x40 (871230), Obsolete part
	(873458)	1	Propeller	Left 19x21x40 (871231), Obsolete part
	(873459)	1	Propeller	Left 21x13x40 (871226), Obsolete part
	(873460)	1	Propeller	Left 23x15x40 (871232), Obsolete part
3	(873461)	1	Propeller	Left 16x15x35 (871233), Obsolete part
	(873462)	1	Propeller	Left 16x16x35 (871234), Obsolete part
	(873463)	1	Propeller	Left 16x17x35 (871235), Obsolete part
	(873464)	1	Propeller	Left 16x18x35 (871236), Obsolete part
	(3856310)	1	Propeller	LH 18x15x30, Obsolete part
	(3856311)	1	Propeller	Left 18x16x30, Obsolete part
	(3856312)	1	Propeller	Left 18x17x30, Obsolete part
	(3856313)	1	Propeller	Left 18x18x30, Obsolete part
	(3856314)	1	Propeller	Left 18x15x35, Obsolete part
	(3856315)	1	Propeller	Left 18x16x35, Obsolete part
	(3856316)	1	Propeller	Left 18x17x35, Obsolete part
	(3856317)	1	Propeller	Left 18x18x35, Obsolete part
	(3856318)	1	Propeller	Left 18x16x40, Obsolete part

MD2010C, MD2010D, MD2020C, MD2020D, MD2030C, MD2030D, MD2040C, MD2040D

REF	PART NO.	QTY	DESCRIPTION	NOTES
	(873465)	1	Propeller	Left 18x17x40 (871240), Obsolete part
	(873466)	1	Propeller	Left 18x18x40 (871241), Obsolete part
	(873467)	1	Propeller	Left 18x19x40 (871242), Obsolete part
	(873468)	1	Propeller	Left 18x20x40 (871243), Obsolete part
	(3856319)	1	Propeller	Left 18x22x35, Obsolete part
	(3856320)	1	Propeller	Left 18x22x40, Obsolete part
	(3856321)	1	Propeller	Left 18x23x35, Obsolete part
	(3856322)	1	Propeller	Left 18x23x40, Obsolete part
	(3856323)	1	Propeller	Right 18x15x35, Obsolete part
	(3856324)	1	Propeller	Right 18x16x35, Obsolete part
	(3856325)	1	Propeller	Right 18x17x35, Obsolete part
	(3856326)	1	Propeller	Right 18x18x35, Obsolete part
	(3856327)	1	Propeller	Right 18x16x40, Obsolete part
	(3856328)	1	Propeller	Right 18x17x40, Obsolete part
	(3856329)	1	Propeller	Right 18x18x40, Obsolete part
	(3856330)	1	Propeller	Right 18x19x40, Obsolete part
	(3856331)	1	Propeller	Right 18x20x40, Obsolete part
	(3856332)	1	Propeller	Right 18x22x35, Obsolete part
	(3856333)	1	Propeller	Right 18x22x40, Obsolete part
	(3856334)	1	Propeller	Right 18x23x35, Obsolete part
	(3856371)	1	Propeller	Right 18x23x40, Obsolete part
4	833913	1	Zinc anode	For 30mm propeller shaft., W 3/4"
	833915	1	Zinc anode	For 35mm propeller shaft., W 7/8"
	828140	1	Zinc anode	For 40 and 45mm propeller shaft., W 1"
	873411	1	Zinc anode	For 25mm propeller shaft., M16
	873412	1	Zinc anode	For 30mm propeller shaft., M20
	873413	1	Zinc anode	For 35mm and 40mm propeller shaft., M24
	873415	1	Zinc anode	For 45mm propeller shaft., M30

MD2010C, MD2010D, MD2020C, MD2020D, MD2030C, MD2030D, MD2040C, MD2040D

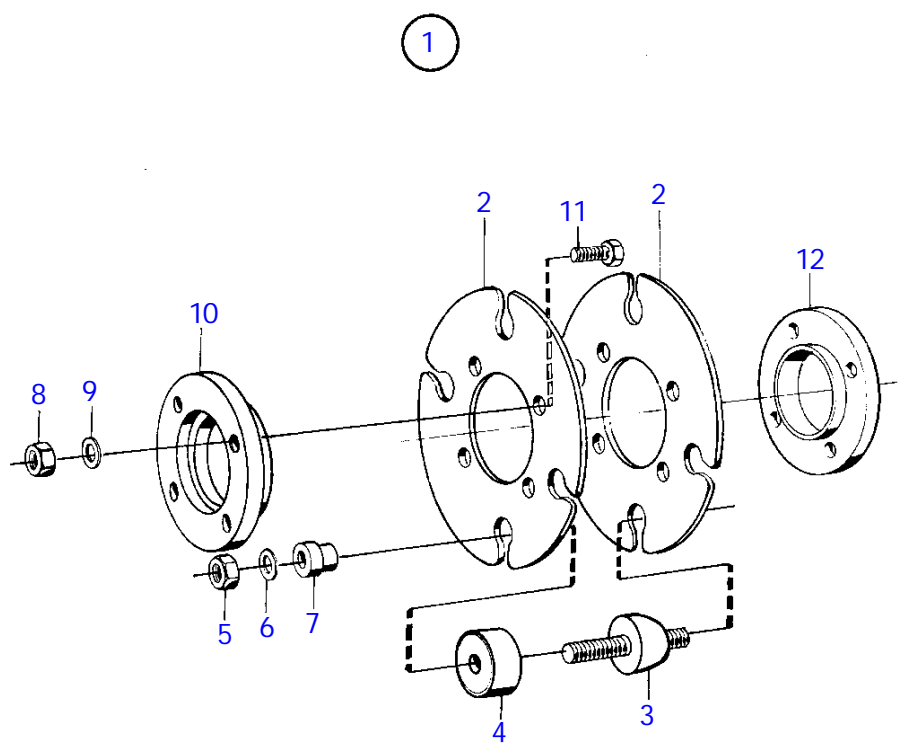


3946

MD2010C, MD2010D, MD2020C, MD2020D, MD2030C, MD2030D, MD2040C, MD2040D

REF	PART NO.	QTY	DESCRIPTION	NOTES
1	833626	1	Clutch	
2	803125	2	* Flexplate	
3	803762	4	* Rubber cushion	
4	803748	4	* Protecting casing	
5	955850	8	* Hexagon nut	
6	940280	8	* Spring washer	
7	802976	8	* Washer	
8	971071	4	* Hexagon nut	(955783)
9	941908	4	* Spring washer	
10	827935	1	* Guide ring	
11	970947	4	* Hexagon screw	L=25mm
	970949	4	* Hexagon screw	L=35mm (955319)
12	803029	1	* Guide ring	

MD2010C, MD2010D, MD2020C, MD2020D, MD2030C, MD2030D, MD2040C, MD2040D

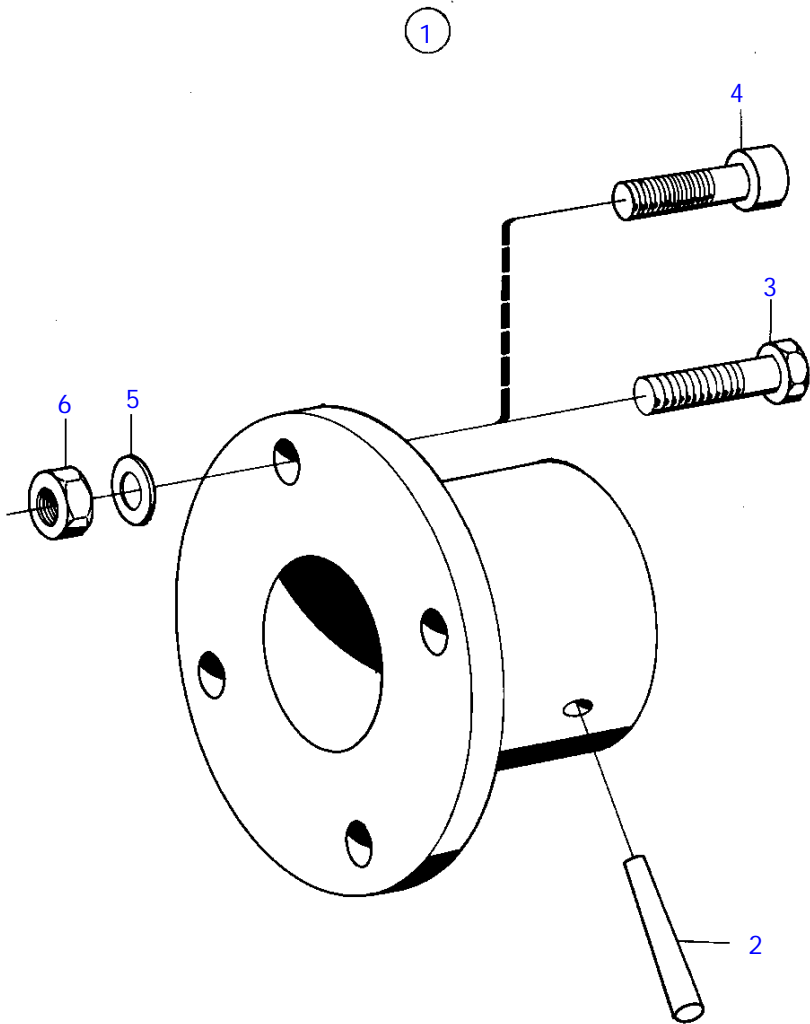


3946

MD2010C, MD2010D, MD2020C, MD2020D, MD2030C, MD2030D, MD2040C, MD2040D

REF	PART NO.	QTY	DESCRIPTION	NOTES
1	833627	1	Clutch	
2	819151	2	* Flexplate	
3	803762	6	* Rubber cushion	
4	803748	6	* Protecting casing	
5	955850	12	* Hexagon nut	
6	940280	12	* Spring washer	
7	802976	12	* Washer	
8	971071	4	* Hexagon nut	(955783)
9	941908	4	* Spring washer	
10	827935	1	* Guide ring	
11	970947	4	* Hexagon screw	L=25mm
	970949	4	* Hexagon screw	L=35mm (955319)
12	803029	1	* Guide ring	

MD2010C, MD2010D, MD2020C, MD2020D, MD2030C, MD2030D, MD2040C, MD2040D

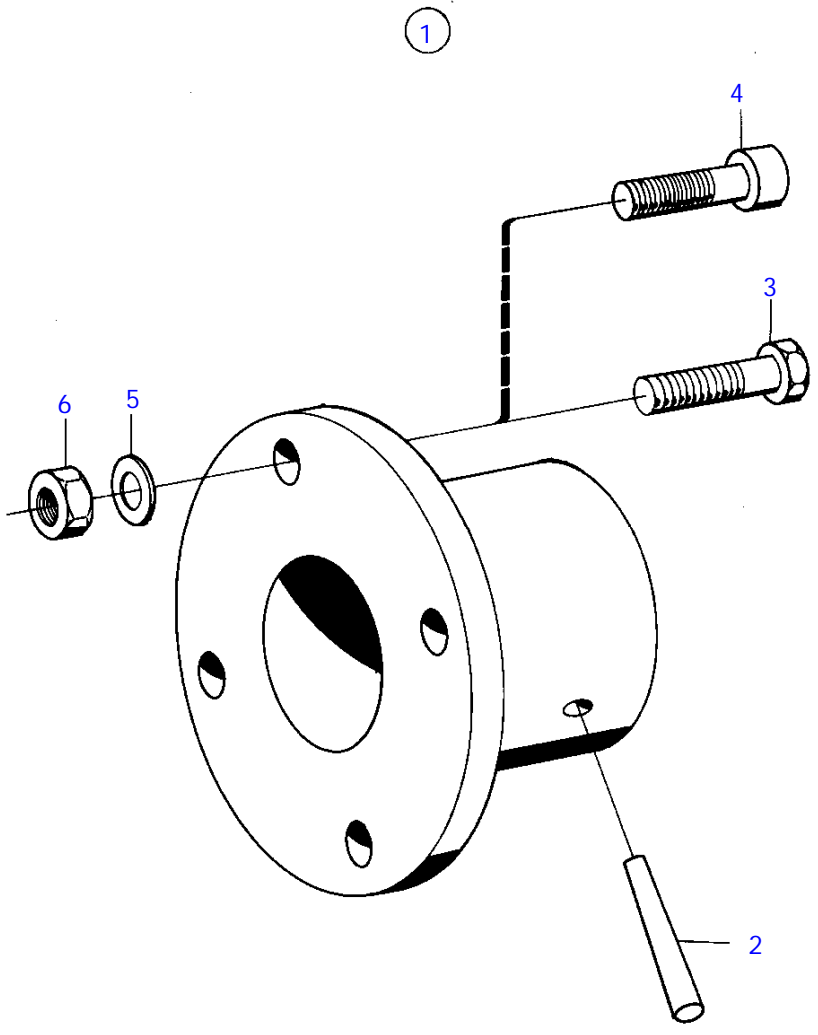


3232

MD2010C, MD2010D, MD2020C, MD2020D, MD2030C, MD2030D, MD2040C, MD2040D

REF	PART NO.	QTY	DESCRIPTION	NOTES
1	806384	1	Clutch flange	For 25mm propeller shaft.
2	907599	1	* Taper pin	
3	970949	4	* Hexagon screw	L=35mm (955319)
4	959239	4	* Hex. socket screw	L=30mm
5	941908	4	* Spring washer	
6	971071	4	* Hexagon nut	(955783)

MD2010C, MD2010D, MD2020C, MD2020D, MD2030C, MD2030D, MD2040C, MD2040D



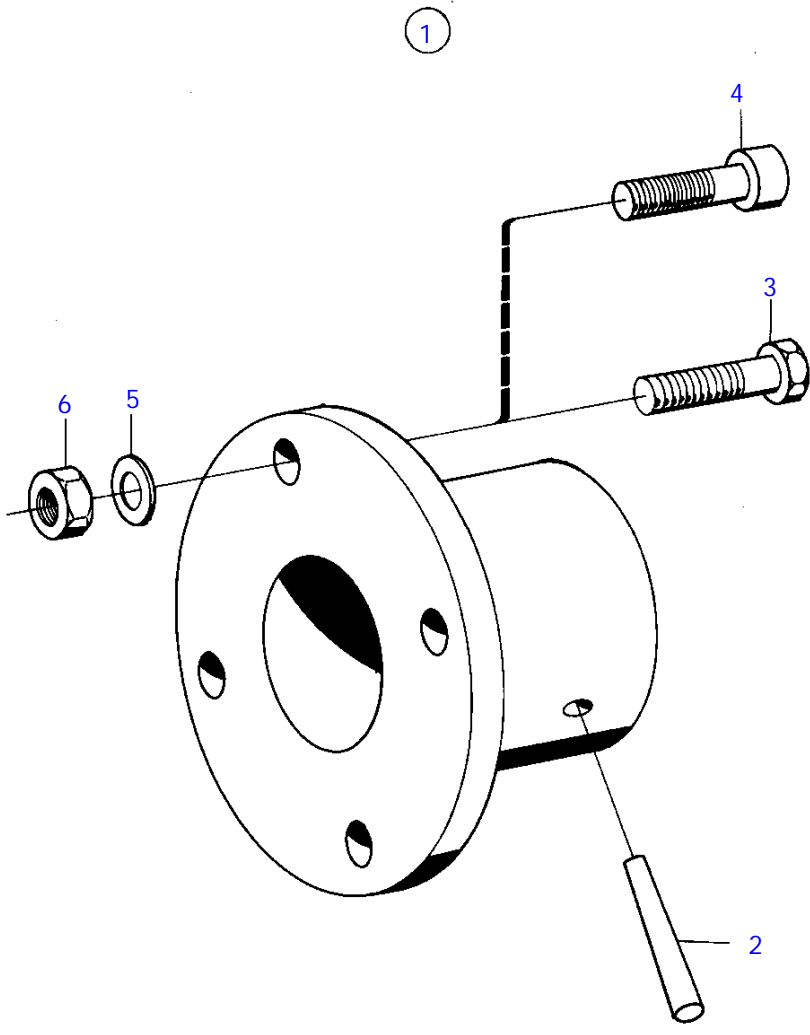
3232



MD2010C, MD2010D, MD2020C, MD2020D, MD2030C, MD2030D, MD2040C, MD2040D

REF	PART NO.	QTY	DESCRIPTION	NOTES
1	(806385)	1	Clutch flange	For 30mm propeller shaft., Obsolete part
2	907599	1	* Taper pin	
3	970949	4	* Hexagon screw	L=35mm (955319)
4	959239	4	* Hex. socket screw	L=30mm
5	941908	4	* Spring washer	
6	971071	4	* Hexagon nut	(955783)

MD2010C, MD2010D, MD2020C, MD2020D, MD2030C, MD2030D, MD2040C, MD2040D

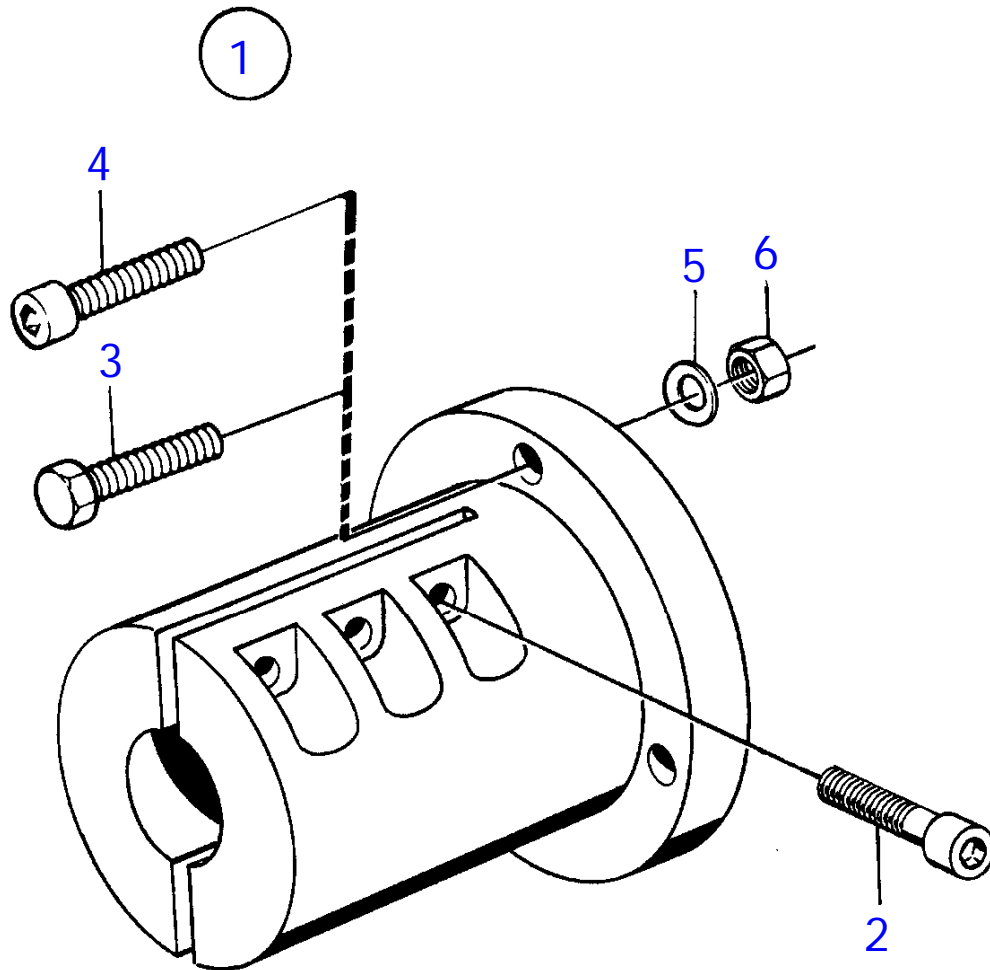


3232

MD2010C, MD2010D, MD2020C, MD2020D, MD2030C, MD2030D, MD2040C, MD2040D

REF	PART NO.	QTY	DESCRIPTION	NOTES	
1	806383	1	Clutch flange	Only center drilled 15mm. Max 30mm shaft.	
2	907599	1	* Taper pin		
3	970949	4	* Hexagon screw		L=35mm (955319)
4	959239	4	* Hex. socket screw		L=30mm
5	941908	4	* Spring washer		
6	971071	4	* Hexagon nut		(955783)

MD2010C, MD2010D, MD2020C, MD2020D, MD2030C, MD2030D, MD2040C, MD2040D

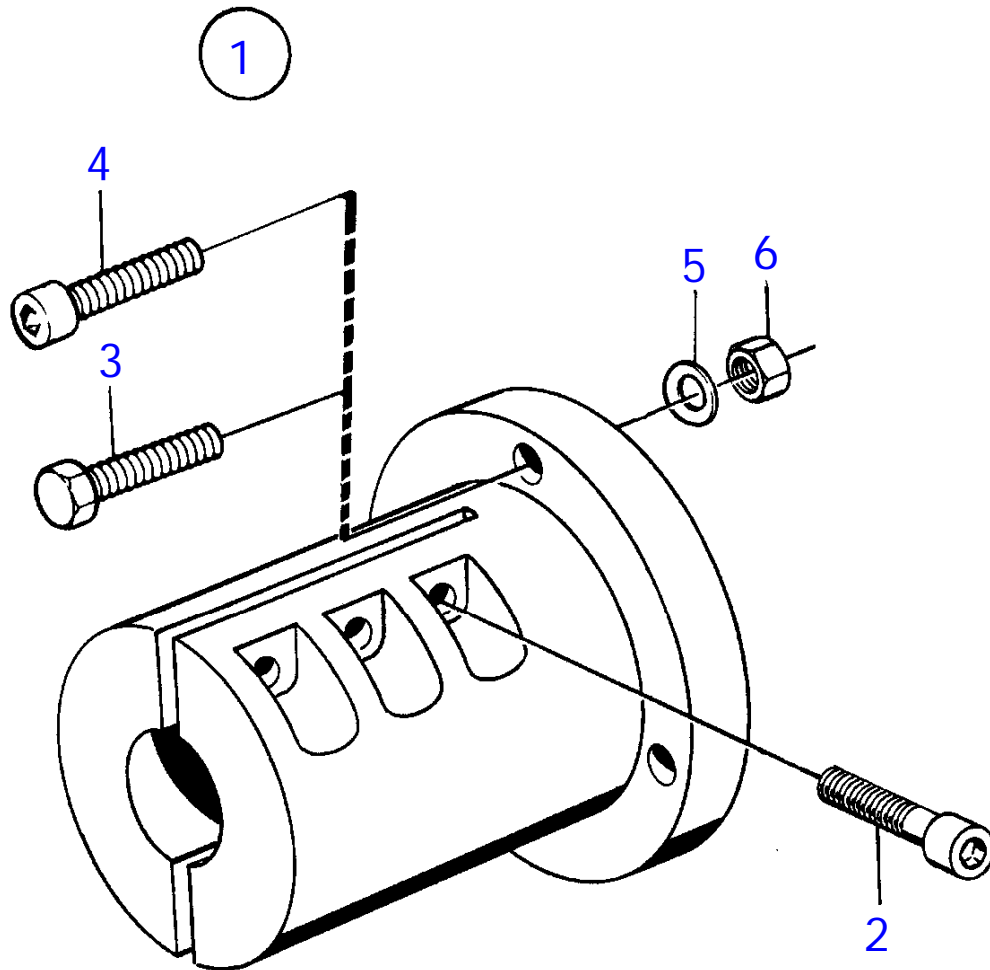


11038

MD2010C, MD2010D, MD2020C, MD2020D, MD2030C, MD2030D, MD2040C, MD2040D

REF	PART NO.	QTY	DESCRIPTION	NOTES
1	827924	1	Clamp coupling	For 25mm propeller shaft.
2	949068	6	* Hex. socket screw	
3	970949	4	* Hexagon screw	(955319)
4	959239	4	* Hex. socket screw	
5	941908	4	* Spring washer	
6	971071	4	* Hexagon nut	(955783)

MD2010C, MD2010D, MD2020C, MD2020D, MD2030C, MD2030D, MD2040C, MD2040D

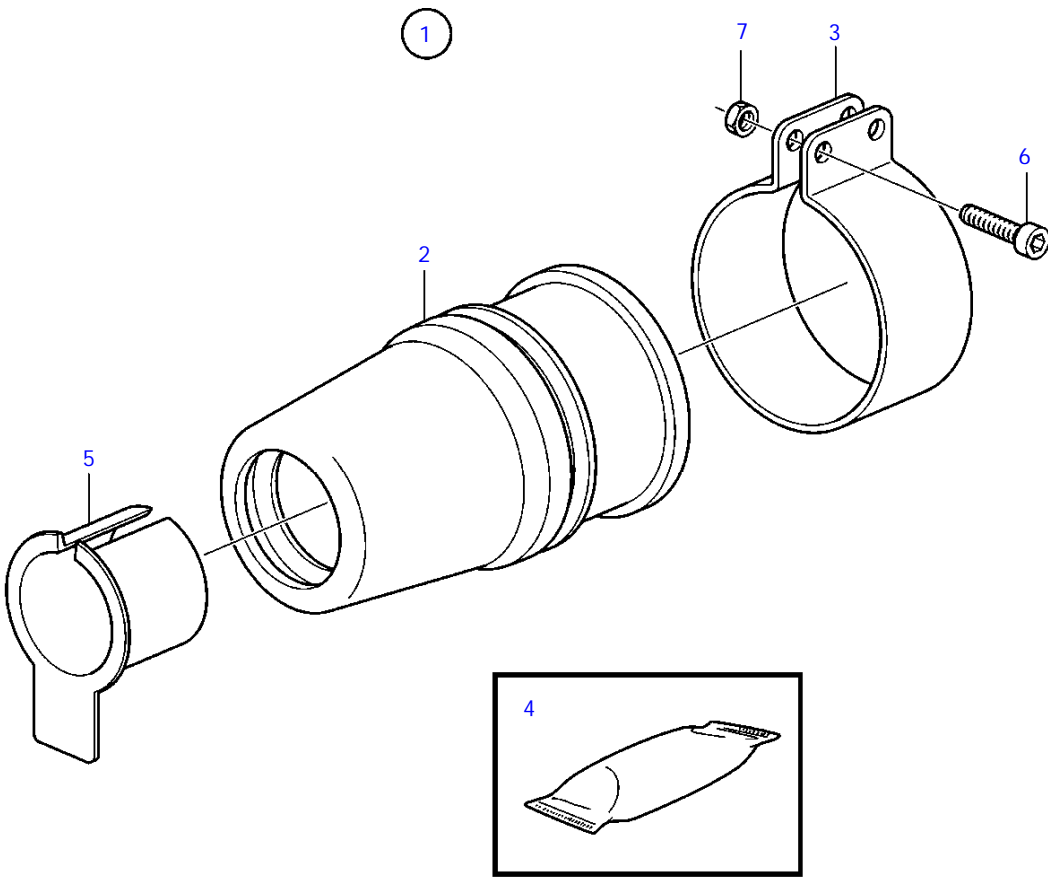


11038

MD2010C, MD2010D, MD2020C, MD2020D, MD2030C, MD2030D, MD2040C, MD2040D

REF	PART NO.	QTY	DESCRIPTION	NOTES
1	827927	1	Clamp coupling	For 30mm propeller shaft.
2	949068	6	* Hex. socket screw	
3	970949	4	* Hexagon screw	(955319)
4	959239	4	* Hex. socket screw	
5	941908	4	* Spring washer	
6	971071	4	* Hexagon nut	(955783)

MD2010C, MD2010D, MD2020C, MD2020D, MD2030C, MD2030D, MD2040C, MD2040D

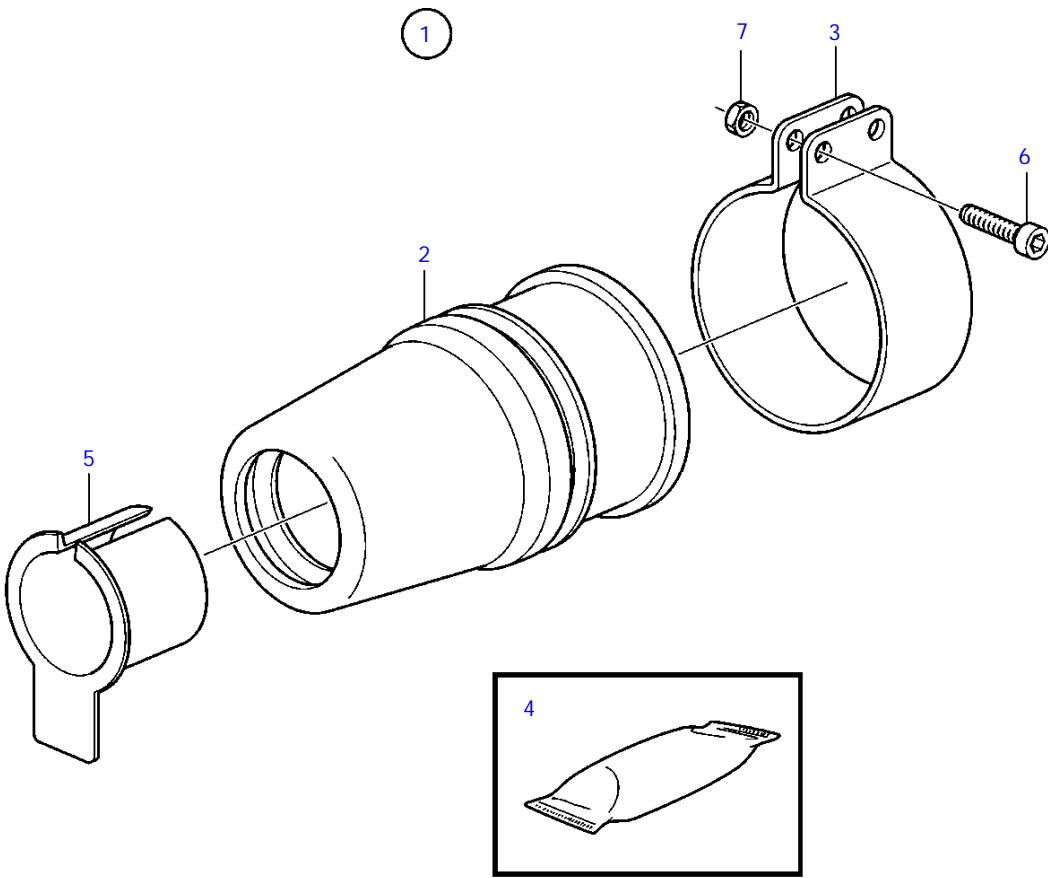


6147

MD2010C, MD2010D, MD2020C, MD2020D, MD2030C, MD2030D, MD2040C, MD2040D

REF	PART NO.	QTY	DESCRIPTION	SEE SEC.	NOTES
1	828254	1	Sealing		D=25mm
			• Bulletin P-44-6-1	P-44-6-1-EN	Rubber Stuffing Box
2		1	• Sealing sleeve		
3	828142	1	• Clamp		
4	828250	1	• Lubricating grease		
			• Bulletin P-18-4-6	P-18-4-6-EN	Water resistant grease for grease gun
5		1	• Sleeve		
6	963684	2	• Hex. socket screw		
7	966170	2	• Lock nut		

MD2010C, MD2010D, MD2020C, MD2020D, MD2030C, MD2030D, MD2040C, MD2040D

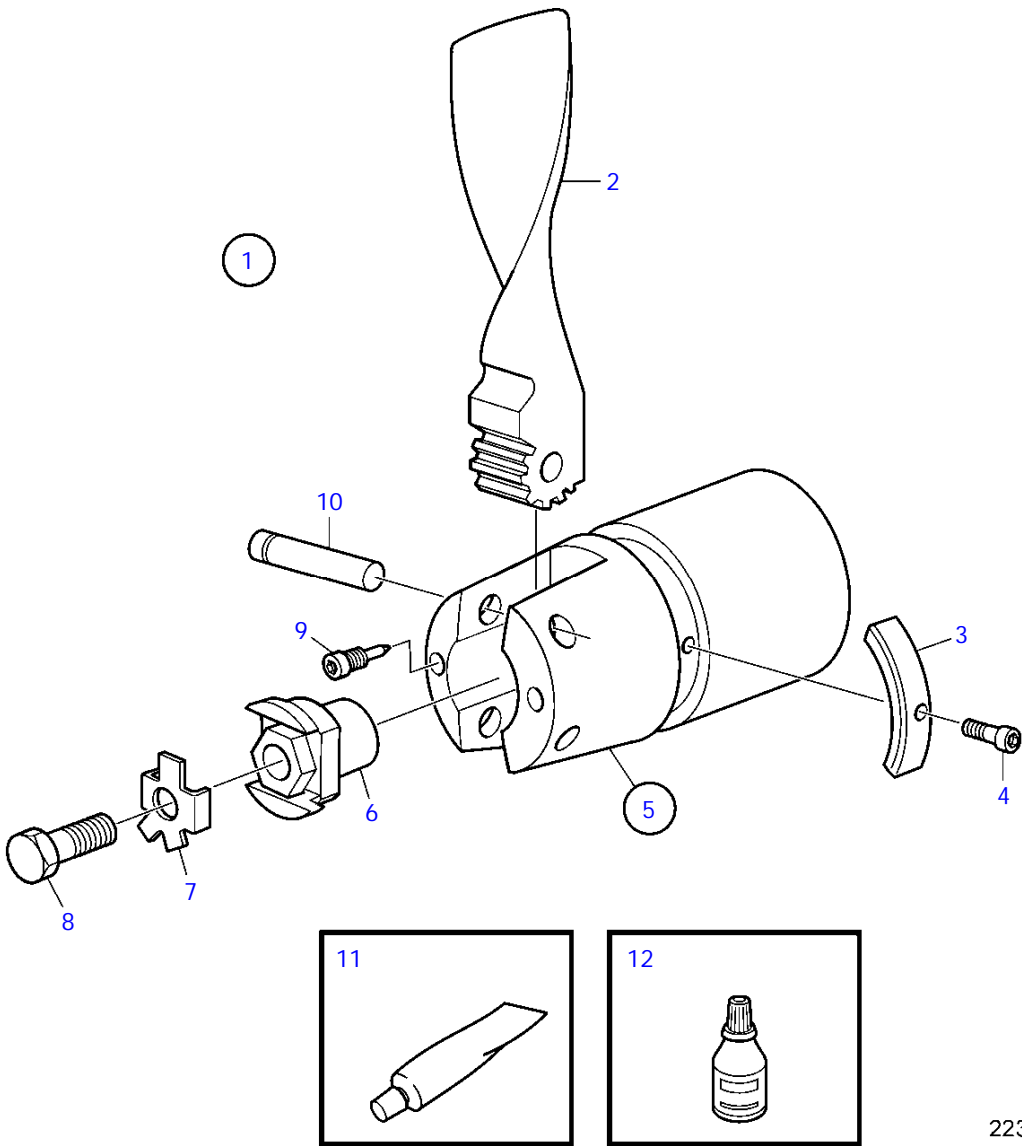


6147

MD2010C, MD2010D, MD2020C, MD2020D, MD2030C, MD2030D, MD2040C, MD2040D

REF	PART NO.	QTY	DESCRIPTION	SEE SEC.	NOTES
1	828422	1	Sealing		D=30mm
			Bulletin P-44-6-1	P-44-6-1-EN	Rubber Stuffing Box
2		1	* Sealing sleeve		
3	828418	1	* Clamp		
4	828250	1	* Lubricating grease		
			Bulletin P-18-4-6	P-18-4-6-EN	Water resistant grease for grease gun
5		1	* Sleeve		
6	963684	2	* Hex. socket screw		
7	966170	2	* Lock nut		

MD2010C, MD2010D, MD2020C, MD2020D, MD2030C, MD2030D, MD2040C, MD2040D

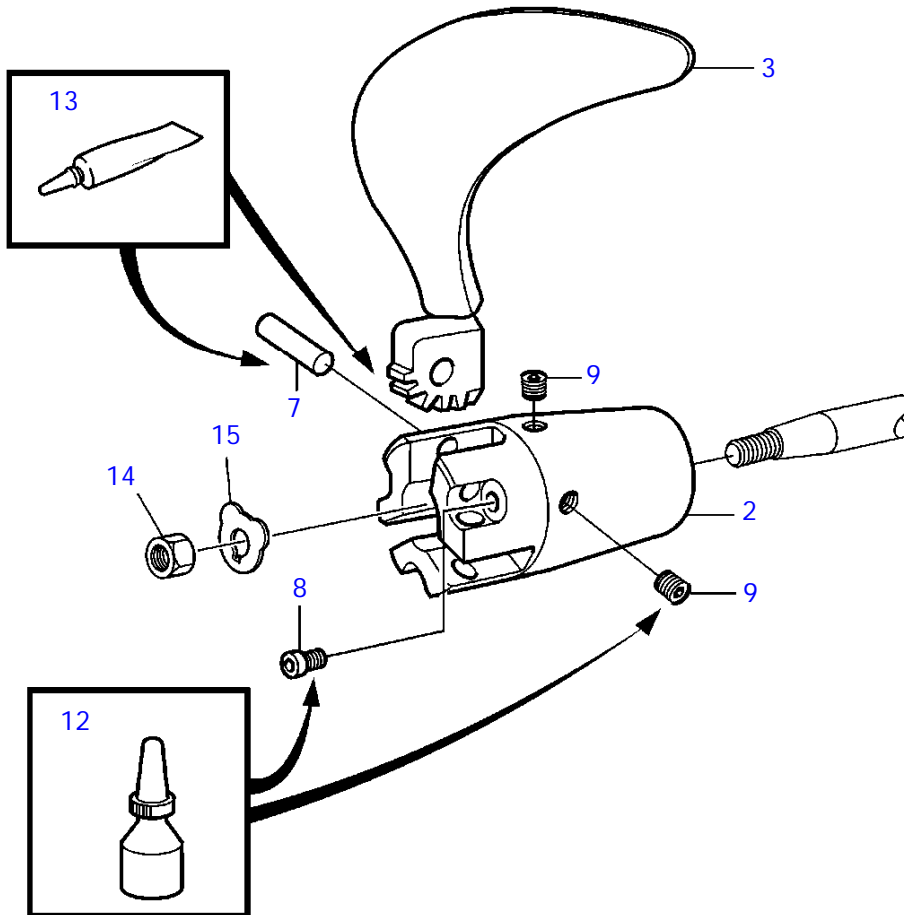
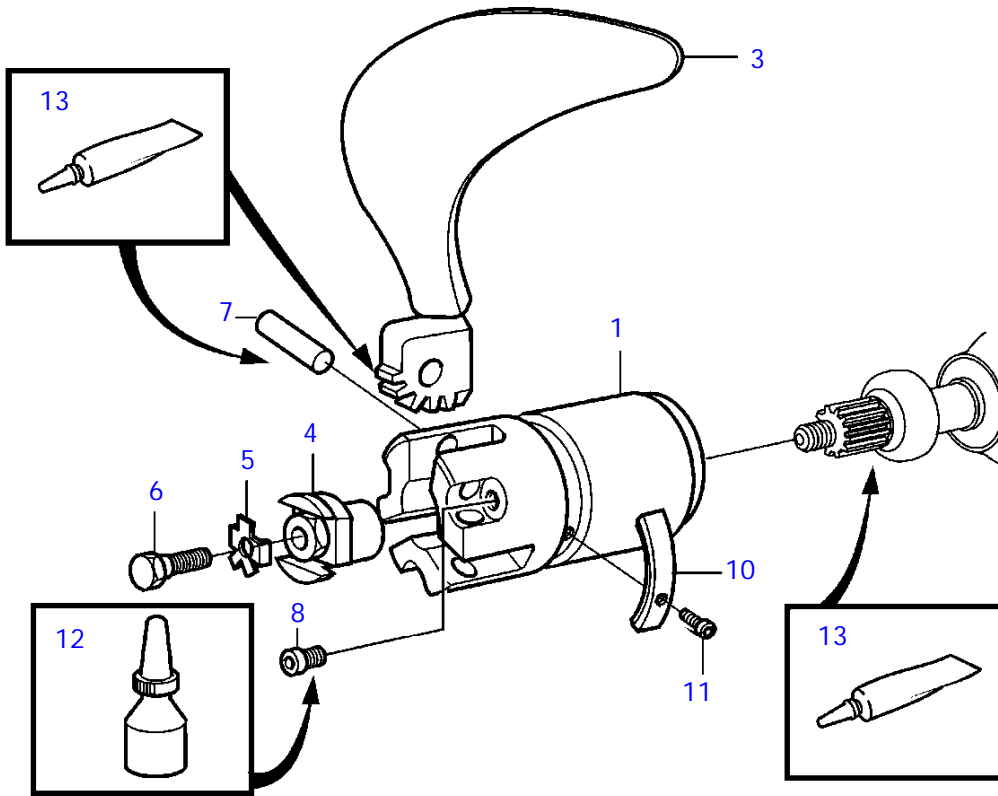


22351

MD2010C, MD2010D, MD2020C, MD2020D, MD2030C, MD2030D, MD2040C, MD2040D

REF	PART NO.	QTY	DESCRIPTION	SEE SEC.	NOTES
1	(3858506)	1	Propeller		14x6, Obsolete part
	(3858507)	1	Propeller		14x8 (3855562), Obsolete part
	(3858508)	1	Propeller		15x9 (3855563), Obsolete part
	(3858510)	1	Propeller		16x11 (3855565), Obsolete part
	(3858511)	1	Propeller		17X13, Obsolete part
	(3858512)	1	Propeller		17x14 (3855567), Obsolete part
2	872876	1	Propeller		14x6
	872877	1	Propeller		14X8
	872878	1	Propeller		15x9
	872880	1	Propeller		16x11
	872881	1	Propeller		17X13
	873536	1	Propeller blade kit		17X14
	872882	1	Propeller		17x15
	(873537)	1	Propeller blade kit		17x17, Obsolete part
3	3858399	1	Zinc anode kit		
	3858400	1	Magnesium anode kit		
4	963677	3	* Hex. socket screw		
5	3858849	1	Hub kit		
6	3584466	1	* Propeller nut		(3851993)
7	3851994	1	* Lock washer		
8	946730	1	* Hexagon screw		
9	3855529	2	* Screw		
10	3855528	2	* Shaft		
11	828250	1	Lubricating grease		25G
			* Bulletin P-18-4-6	P-18-4-6-EN	Water resistant grease for grease gun
12	1161053	1	Locking fluid		

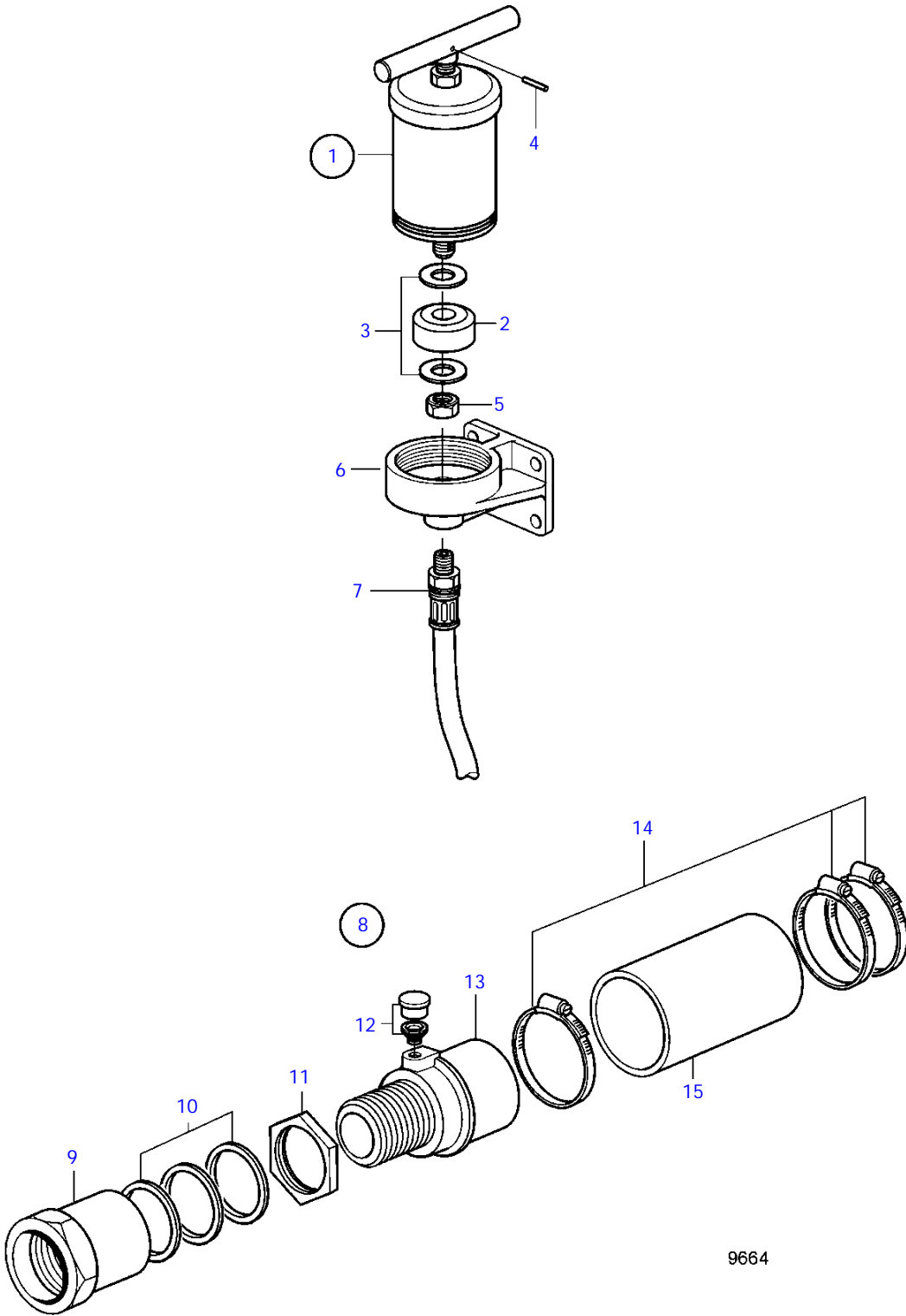
MD2010C, MD2010D, MD2020C, MD2020D, MD2030C, MD2030D, MD2040C, MD2040D



MD2010C, MD2010D, MD2020C, MD2020D, MD2030C, MD2030D, MD2040C, MD2040D

REF	PART NO.	QTY	DESCRIPTION	SEE SEC.	NOTES
1	3858955	1	Hub kit		S-drive (3858284)
			* Bulletin P-44-7-12	P-44-7-12-EN	Part Numbers on 3-bladed Folding Propellers
2	3583424	1	Hub kit		Shaft 25mm (3581262)
	3583425	1	Hub kit		Shaft 30mm (3581263)
	3583426	1	Hub kit		Shaft 1" (3581484)
	3583427	1	Hub kit		Shaft 1 1/4" (3581485)
3	3583382	1	Propeller blade kit		Left 14x9 (3581249)
			* Bulletin P-44-7-12	P-44-7-12-EN	Part Numbers on 3-bladed Folding Propellers
3	3583383	1	Propeller blade kit		Left 16x10 (3581250)
	3583384	1	Propeller blade kit		Left 15x10 (3581251)
	3583385	1	Propeller blade kit		Left 16x10 (3581252)
	3583386	1	Propeller blade kit		Left 16x11 (3581253)
	3583387	1	Propeller blade kit		Left 17x11 (3581254)
	3583388	1	Propeller blade kit		Left 17x12 (3581255)
	3583389	1	Propeller blade kit		Left 18x12 (3581256)
	3583390	1	Propeller blade kit		Left 18x13 (3581257)
	3583391	1	Propeller blade kit		Left 18x14 (3581258)
	3583392	1	Propeller blade kit		Left 18x15
	3584031	1	Propeller blade kit		Left 18x16
	3583393	1	Propeller blade kit		Left 19x16
	3583409	1	Propeller blade kit		Right 14x7
	3583410	1	Propeller blade kit		Right 14x8
	3583411	1	Propeller blade kit		Right 14x9 (3581807)
	3583412	1	Propeller blade kit		Right 15x9 (3581808)
	3583413	1	Propeller blade kit		Right 15x10 (3581809)
	3583414	1	Propeller blade kit		Right 16x10 (3581810)
	3583415	1	Propeller blade kit		Right 16x11 (3581811)
	3583416	1	Propeller blade kit		Right 17x11 (3581812)
	3583417	1	Propeller blade kit		Right 17x12 (3581813)
	3583418	1	Propeller blade kit		Right 18x12 (3581814)
	3583419	1	Propeller blade kit		Right 18x13 (3581815)
	3583420	1	Propeller blade kit		Right 18x14 (3581816)
4	3584466	1	Propeller nut		Included in hub kit, (3851993)
5	3851994	1	Lock washer		Included in hub kit
6	946730	1	Hexagon screw		Included in hub kit
7	3581243	3	Shaft		Included in hub kit
8	963695	3	Hex. socket screw		Included in hub kit
9	3581246	3	Screw		Included in hub kit
10	3858399	1	Zinc anode kit		Included in hub kit
	3858400	1	Magnesium anode kit		
11	963677	3	* Hex. socket screw		
12	1161053	1	Locking fluid		10ml, Included in hub kit
13	828250	1	Lubricating grease		25G, Included in propeller blade kit
			* Bulletin P-18-4-6	P-18-4-6-EN	Water resistant grease for grease gun
14	873473	1	Nut		Included in propeller shaft
15	873475	1	Tab washer		Included in propeller shaft

MD2010C, MD2010D, MD2020C, MD2020D, MD2030C, MD2030D, MD2040C, MD2040D

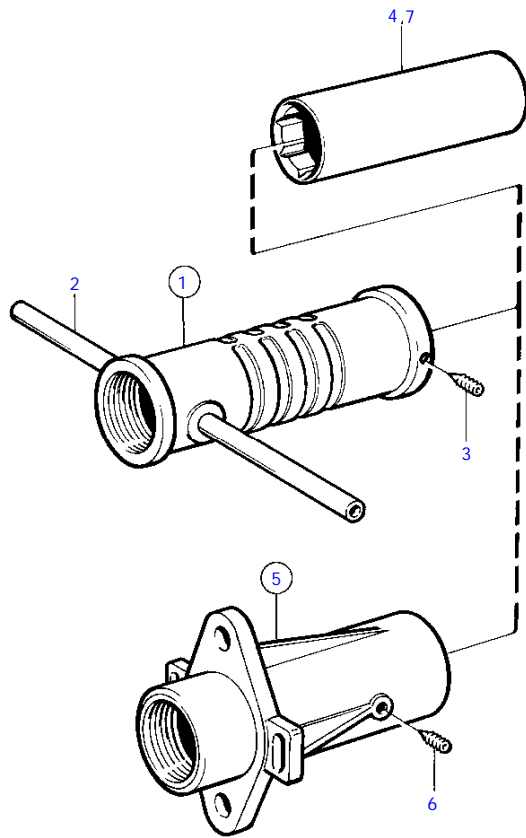


9664

MD2010C, MD2010D, MD2020C, MD2020D, MD2030C, MD2030D, MD2040C, MD2040D

REF	PART NO.	QTY	DESCRIPTION	NOTES
1	827184	1	Grease press	
2	815579	1	* Leather cuff	
3	948087	2	* Washer	
4	(907173)	1	* Grooved pin	Obsolete part
5	950354	1	* Lock nut	
6		1	* Retainer	
7	833842	1	Hose	
8	859012	1	Stuffing box	D=25mm
	859013	1	Stuffing box	D=30mm
9		1	* Nut	
10	859003	3	* Box gasket	D=25mm
	859006	3	* Box gasket	D=30mm
11		1	* Nut	
12	914138	1	* Lubricator	
13		1	* Stuffing box	
14	961672	3	* Hose clamp	For 859012
	961674	3	* Hose clamp	For 859013
15	825672	1	* Rubber hose	D=25mm
	825673	1	* Rubber hose	D=30mm

MD2010C, MD2010D, MD2020C, MD2020D, MD2030C, MD2030D, MD2040C, MD2040D

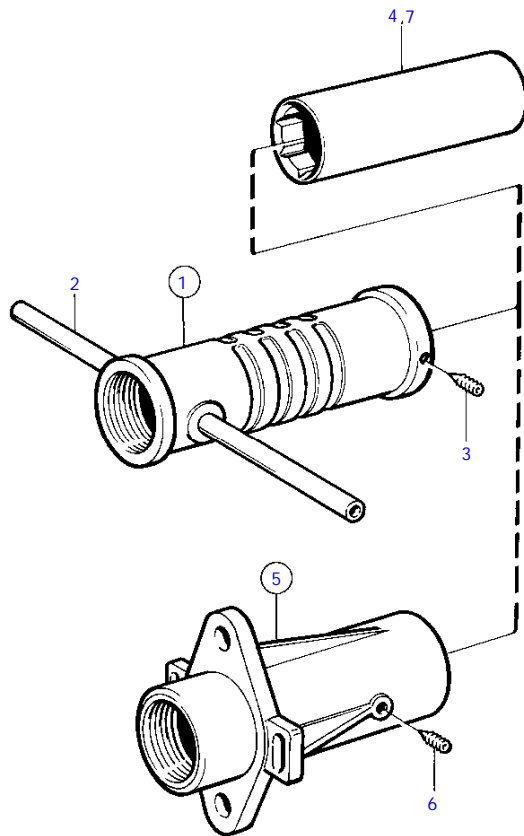


9665

MD2010C, MD2010D, MD2020C, MD2020D, MD2030C, MD2030D, MD2040C, MD2040D

REF	PART NO.	QTY	DESCRIPTION	NOTES
1	827885	1	Stern bearing	For 25mm propeller shaft.
2	(827734)	1	* Tube	Obsolete part
3	942609	3	* Set screw	
4	812914	1	* Rubber bearing	
5	827780	1	Stern bearing	For 25mm propeller shaft.
6	942609	2	* Set screw	
7	812914	1	* Rubber bearing	

MD2010C, MD2010D, MD2020C, MD2020D, MD2030C, MD2030D, MD2040C, MD2040D

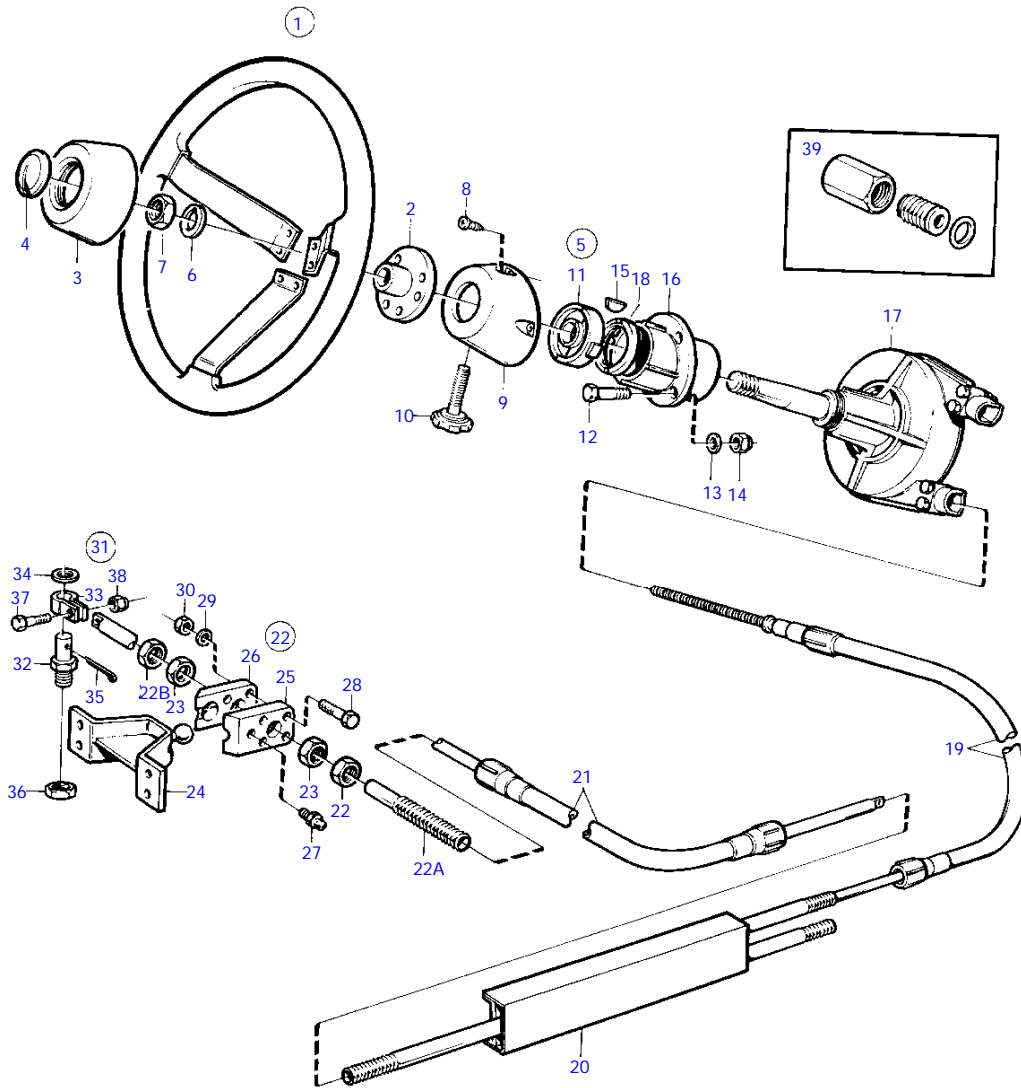


9665

MD2010C, MD2010D, MD2020C, MD2020D, MD2030C, MD2030D, MD2040C, MD2040D

REF	PART NO.	QTY	DESCRIPTION	NOTES
1	827886	1	Stern bearing	For 30mm propeller shaft.
2	(827734)	1	* Tube	Obsolete part
3	942609	3	* Set screw	
4	812916	1	* Rubber bearing	
5	827781	1	Stern bearing	For 30mm propeller shaft.
6	942609	2	* Set screw	
7	812916	1	* Rubber bearing	

MD2010C, MD2010D, MD2020C, MD2020D, MD2030C, MD2030D, MD2040C, MD2040D

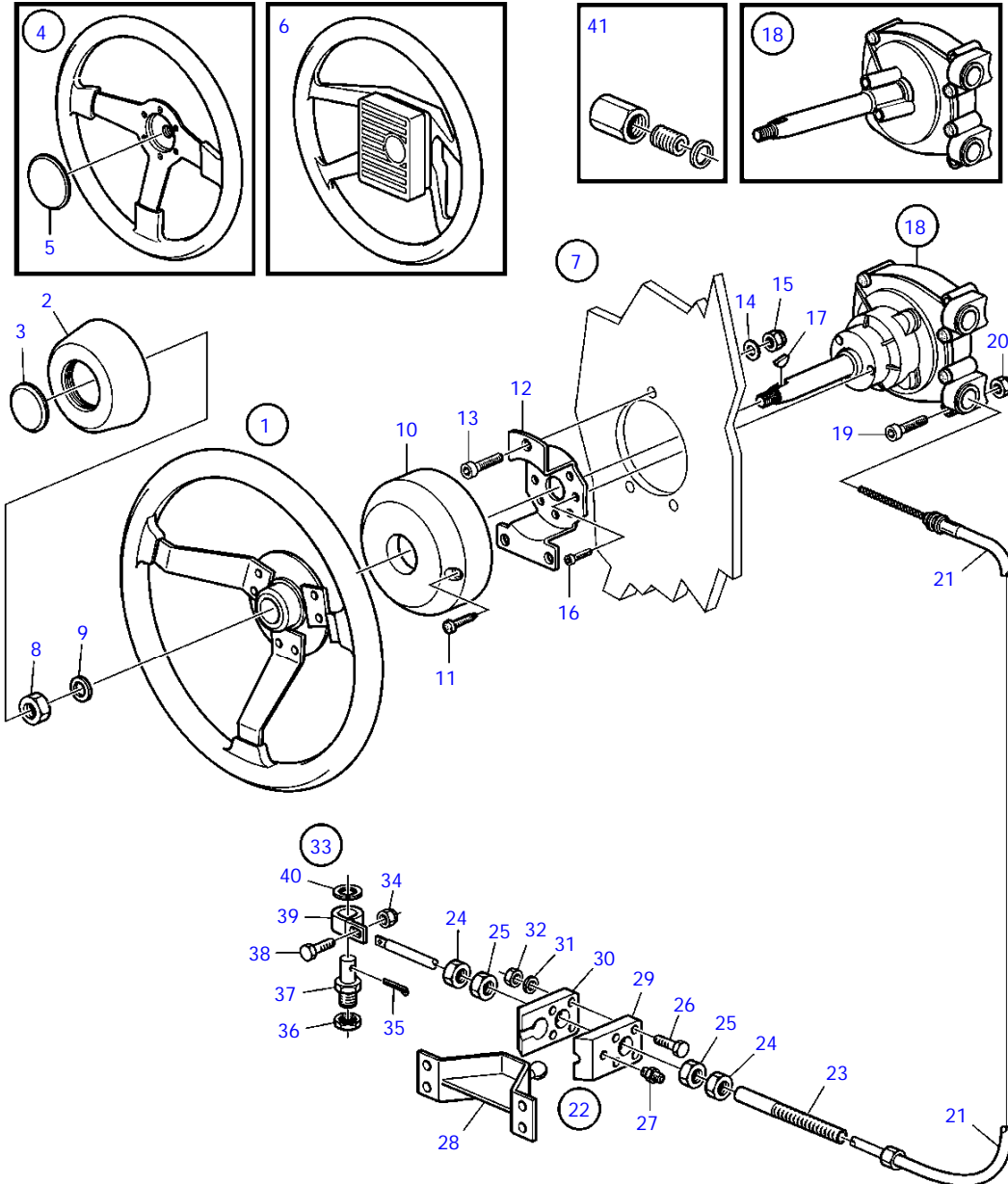


15565

MD2010C, MD2010D, MD2020C, MD2020D, MD2030C, MD2030D, MD2040C, MD2040D

REF	PART NO.	QTY	DESCRIPTION	SEE SEC.	NOTES
1	850936	1	Steering wheel		
2		1	* Steering wheel hub		
3	(828943)	1	* Steering wheel pad		Obsolete part
4	(1140660)	1	* Emblem		(850938), Obsolete part
5	3883509	1	Mounting kit		90° white (853182)
	3818098	1	Mounting kit		90° black (1140023)
	3883508	1	Mounting kit		70° white (853183)
	3818096	1	Mounting kit		
6	(3851613)	1	* Washer		Obsolete part
7	955793	1	* Hexagon nut		
8	965325	2	* Cross recessed screw		
9		1	* Cover		
10	(3851612)	1	* Screw		Obsolete part
11	(3851611)	2	* Bearing		Obsolete part
12	955298	4	* Hexagon screw		
13	955894	4	* Washer		
14	946036	4	* Lock nut		
15	160807	1	* Woodruff key		
16		1	* Steering head		
17	3818019	1	Steering gear		(853181)
			* Bulletin P-64-0-1	P-64-0-1-EN	New OL Mechanical and Hydraulic Steering Systems
18	3851614	1	* Nut		
19	3840244	1	Steering cable		L=2,00m
	3840245	1	Steering cable		L=2,25m
	3840246	1	Steering cable		L=2,50m
	3840247	1	Steering cable		L=2,75m
	3840248	1	Steering cable		L=3,00m
	3840249	1	Steering cable		L=3,25m
	3840250	1	Steering cable		L=3,50m
	3840251	1	Steering cable		L=3,75m
	3840252	1	Steering cable		L=4,00m
	3840253	1	Steering cable		L=4,25m
	3840254	1	Steering cable		L=4,50m
	3840255	1	Steering cable		L=4,75m
	3840256	1	Steering cable		L=5,00m
	3840257	1	Steering cable		L=5,25m
	3840258	1	Steering cable		L=5,50m
	3840259	1	Steering cable		L=5,75m
	3840260	1	Steering cable		L=6,00m
	3840261	1	Steering cable		L=6,25m
	3840262	1	Steering cable		L=6,50m
	3840263	1	Steering cable		L=6,75m
	3840264	1	Steering cable		L=7,00m
	3840265	1	Steering cable		L=7,25m
	3840266	1	Steering cable		L=7,50m
	3840267	1	Steering cable		L=7,75m
	3840268	1	Steering cable		L=8,00m
	3840270	1	Steering cable		L=8,25m
	3840272	1	Steering cable		L=8,50m
	3840273	1	Steering cable		L=8,75m
	3840274	1	Steering cable		L=9,00m
20	(853291)	1	Ds unit		Obsolete part
21	853387	1	* Steering cable		
22	(853290)	1	Stern attachment		Obsolete part
22A	850771	1	* Anchorage		
22B	850778	2	* Nut		
23	853306	2	* Nut		
24	851093	1	* Bracket		
25	828857	1	* Anchorage		
26	828854	1	* Anchorage		
27	951739	1	* Lubricating nipple		
28	940101	2	* Hexagon screw		
29	941906	2	* Spring washer		
30	963105	2	* Lock nut		
31	828924	1	* Ball joint kit		
32		1	* * Split pin bolt		
33	(851116)	1	* * Bracket		Obsolete part
34	955897	1	* * Washer		
35	967707	1	* * Split pin		
36	963119	1	* * Lock nut		
37	(851118)	1	* * Shoulder screw		Obsolete part
38	(966171)	1	* * Lock nut		Obsolete part
39	853214	1	Adaptor		For alternative steering cables.

MD2010C, MD2010D, MD2020C, MD2020D, MD2030C, MD2030D, MD2040C, MD2040D

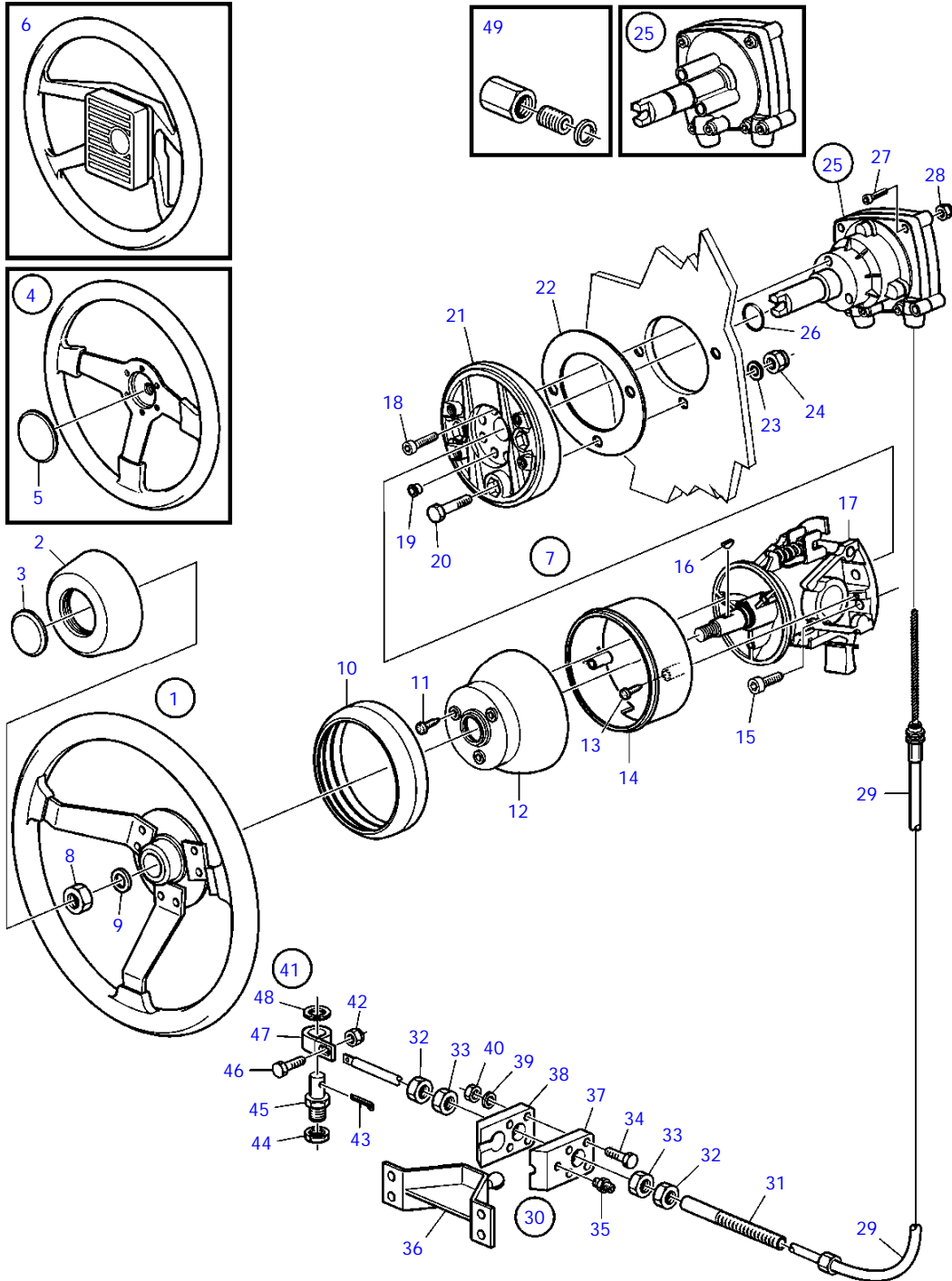


22681

MD2010C, MD2010D, MD2020C, MD2020D, MD2030C, MD2030D, MD2040C, MD2040D

REF	PART NO.	QTY	DESCRIPTION	SEE SEC.	NOTES
1	850936	1	Steering wheel		
2		1	* Steering wheel pad		
3	(1140660)	1	* Emblem		(850938), Obsolete part
4	3843317	1	Wheel		
5		1	* Emblem		
6	1140334	1	Steering wheel		
	1140335		Steering wheel		
7	3818096	1	Mounting kit		70° black
	3818098	1	Mounting kit		90° black
	3883508	1	Mounting kit		70° white
	3883509	1	Mounting kit		70° black
8	971084	1	* Lock nut		
9	955897	1	* Washer		
10		1	* Cover		90°
		1	* Cover		70°
11	969476	2	* 6 point socket screw		
12		1	* Bracket		90°
		1	* Bracket		70°
13	959226	3	* Hex. socket screw		
14	976944	3	* Washer		
15	946036	3	* Lock nut		
16	959220	3	* Hex. socket screw		
17	160807	1	* Woodruff key		
18	3818019	1	Steering gear		Std, fixed wheel
			* Bulletin P-64-0-1	P-64-0-1-EN	New QL Mechanical and Hydraulic Steering Systems
18	3818023	1	Steering gear		No feedback, fixed wheel
			* Bulletin P-64-0-1	P-64-0-1-EN	New QL Mechanical and Hydraulic Steering Systems
19	955278	2	* Hexagon screw		
20	963105	2	* Lock nut		
21	3840244	1	Steering cable		L=2000mm
	3840245	1	Steering cable		L=2250mm
	3840246	1	Steering cable		L=2500mm
	3840247	1	Steering cable		L=2750mm
	3840248	1	Steering cable		L=3000mm
	3840249	1	Steering cable		L=3250mm
	3840250	1	Steering cable		L=3500mm
	3840251	1	Steering cable		L=3750mm
	3840252	1	Steering cable		L=4000mm
	3840253	1	Steering cable		L=4250mm
	3840254	1	Steering cable		L=4500mm
	3840255	1	Steering cable		L=4750mm
	3840256	1	Steering cable		L=5000mm
	3840257	1	Steering cable		L=5250mm
	3840258	1	Steering cable		L=5500mm
	3840259	1	Steering cable		L=5750mm
	3840260	1	Steering cable		L=6000mm
	3840261	1	Steering cable		L=6250mm
	3840262	1	Steering cable		L=6500mm
	3840263	1	Steering cable		L=6750mm
	3840264	1	Steering cable		L=7000mm
	3840265	1	Steering cable		L=7250mm
	3840266	1	Steering cable		L=7500mm
	3840267	1	Steering cable		L=7750mm
	3840268	1	Steering cable		L=8000mm
	3840270	1	Steering cable		L=8250mm
	3840272	1	Steering cable		L=8500mm
	3840273	1	Steering cable		L=8750mm
	3840274	1	Steering cable		L=9000mm
22	(853290)	1	Stern attachment		Obsolete part
23	850771	1	* Anchorage		
24	850778	2	* Nut		
25	853306	2	* Nut		
26	940101	2	* Hexagon screw		
27	951739	1	* Lubricating nipple		
28	851093	1	* Bracket		
29	828857	1	* Anchorage		
30	828854	1	* Anchorage		
31	941906	2	* Spring washer		
32	963105	2	* Lock nut		
33	828924	1	* Ball joint kit		
34	(966171)	1	* * Lock nut		Obsolete part
35	967707	1	* * Split pin		
36	963119	1	* * Lock nut		
37		1	* * Split pin bolt		
38		1	* * Shoulder screw		
39		1	* * Bracket		
40	955897	1	* * Washer		
41	853214	1	Adapter		For alternative steering cables.

MD2010C, MD2010D, MD2020C, MD2020D, MD2030C, MD2030D, MD2040C, MD2040D

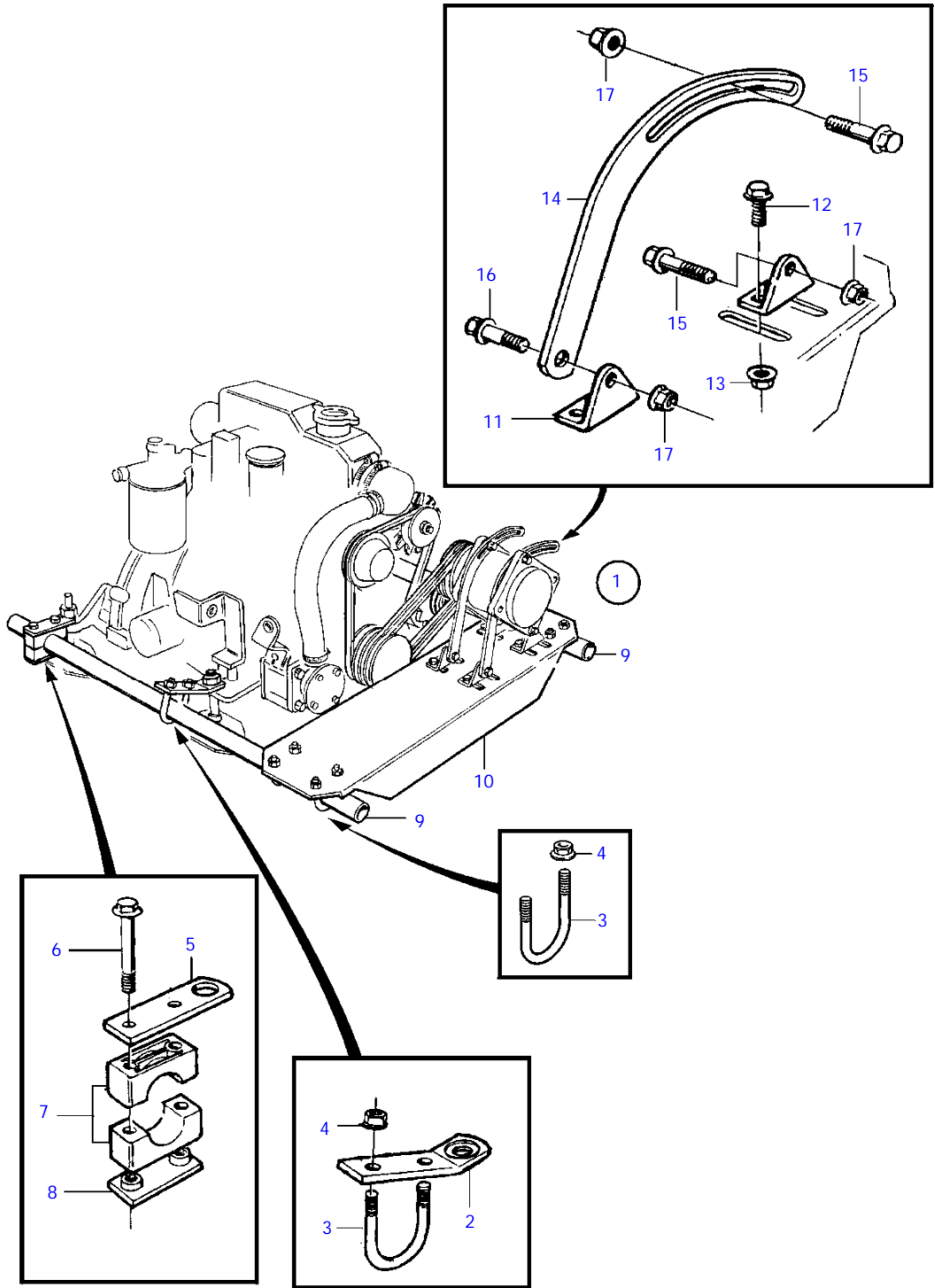


22685

MD2010C, MD2010D, MD2020C, MD2020D, MD2030C, MD2030D, MD2040C, MD2040D

REF	PART NO.	QTY	DESCRIPTION	SEE SEC.	NOTES
1	850936	1	Steering wheel		Alt
2		1	* Steering wheel pad		
3	(1140660)	1	* Emblem		(850938), Obsolete part
4	3843317	1	Wheel		Alt
5		1	* Emblem		
6	1140334	1	Steering wheel		Alt, white
	1140335	1	Steering wheel		Alt, black
7	3841280	1	Steering wheel adjus		
8	971084	1	* Lock nut		
9	955897	1	* Washer		
10		1	* Sealing strip		
11		3	* Screw		
12		1	* Cover		Agile
13		2	* Screw		
14		1	* Cover		Fixed
15		4	* Allen head screw		
16	160807	1	* Woodruff key		
17		1	* Anchorage		Steering wheel
18		3	* Allen head screw		
19		5	* Plug		
20		3	* Screw		
21		1	* Bracket		
22		1	* Gasket		
23		3	* Washer		
24		3	* Nut		
25	3818025	1	Steering gear		T81C
			* Bulletin P-64-0-1	P-64-0-1-EN	New QL Mechanical and Hydraulic Steering Systems
25	3818027	1	Steering gear		No-feedback, tilt wheel
			* Bulletin P-64-0-1	P-64-0-1-EN	New QL Mechanical and Hydraulic Steering Systems
26	990696	1	* O-ring		
27	955278	2	* Hexagon screw		
28	963105	2	* Lock nut		
29	3840244	1	Steering cable		L=2000mm
	3840245	1	Steering cable		L=2250mm
	3840246	1	Steering cable		L=2500mm
	3840247	1	Steering cable		L=2750mm
	3840248	1	Steering cable		L=3000mm
	3840249	1	Steering cable		L=3250mm
	3840250	1	Steering cable		L=3500mm
	3840251	1	Steering cable		L=3750mm
	3840252	1	Steering cable		L=4000mm
	3840253	1	Steering cable		L=4250mm
	3840254	1	Steering cable		L=4500mm
	3840255	1	Steering cable		L=4750mm
	3840256	1	Steering cable		L=5000mm
	3840257	1	Steering cable		L=5250mm
	3840258	1	Steering cable		L=5500mm
	3840259	1	Steering cable		L=5750mm
	3840260	1	Steering cable		L=6000mm
	3840261	1	Steering cable		L=6250mm
	3840262	1	Steering cable		L=6500mm
	3840263	1	Steering cable		L=6750mm
	3840264	1	Steering cable		L=7000mm
	3840265	1	Steering cable		L=7250mm
	3840266	1	Steering cable		L=7500mm
	3840267	1	Steering cable		L=7750mm
	3840268	1	Steering cable		L=8000mm
	3840270	1	Steering cable		L=8250mm
	3840272	1	Steering cable		L=8500mm
	3840273	1	Steering cable		L=8750mm
	3840274	1	Steering cable		L=9000mm
30	(853290)	1	Stern attachment		Obsolete part
31	850771	1	* Anchorage		
32	850778	2	* Nut		
33	853306	2	* Nut		
34	940101	2	* Hexagon screw		
35	951739	1	* Lubricating nipple		
36	851093	1	* Bracket		
37	828857	1	* Anchorage		
38	828854	1	* Anchorage		
39	941906	2	* Spring washer		
40	963105	2	* Lock nut		
41	828924	1	* Ball joint kit		
42	(966171)	1	* Lock nut		Obsolete part
43	967707	1	* Split pin		
44	963119	1	* Lock nut		
45		1	* Split pin bolt		
46		1	* Shoulder screw		
47		1	* Bracket		
48	955897	1	* Washer		
49	853214	1	Adapter		For alternative steering cables.

MD2010C, MD2010D, MD2020C, MD2020D, MD2030C, MD2030D, MD2040C, MD2040D

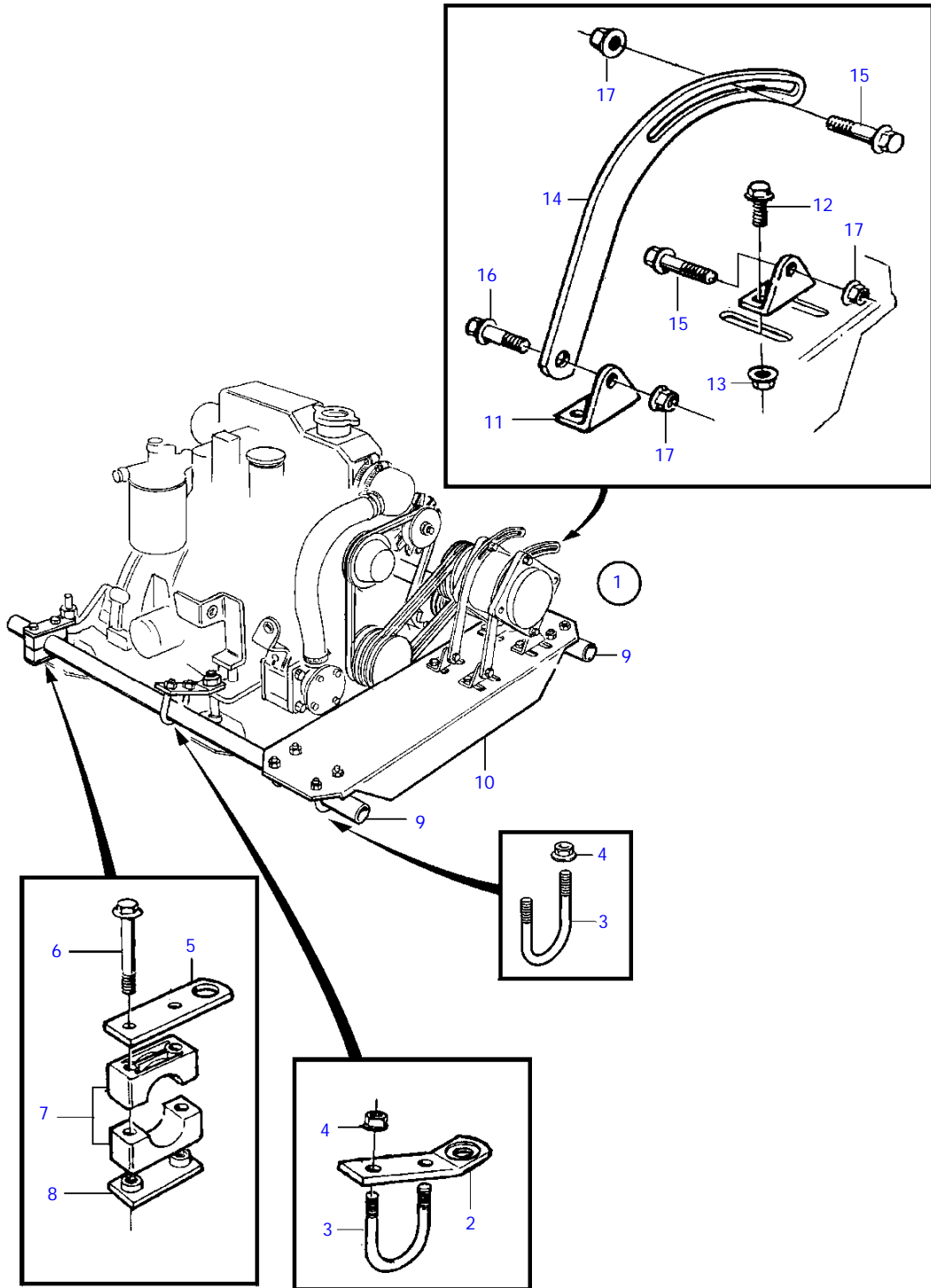


17709

MD2010C, MD2010D, MD2020C, MD2020D, MD2030C, MD2030D, MD2040C, MD2040D

REF	PART NO.	QTY	DESCRIPTION	NOTES
1	3581049	1	Bracket	
2	3581030	2	* Anchorage	
3	3580739	6	* Clamp	
4	945408	12	* Flange nut	
5	3580738	2	* Bracket	
6	985030	4	* Flange screw	
7	3581108	4	* Clamp	
8	3581109	2	* Plate	
9	3581028	2	* Pipe	
10	3581020	1	* Attaching plate	
11	854607	4	* Bracket	
12	945444	8	* Flange screw	M8x25mm
13	945408	8	* Flange nut	M8
14	854608	2	* Tensioner	
15	946472	4	* Flange screw	M10x30mm
16	946329	2	* Flange screw	M10x25mm
17	971095	6	* Flange nut	M10

MD2010C, MD2010D, MD2020C, MD2020D, MD2030C, MD2030D, MD2040C, MD2040D

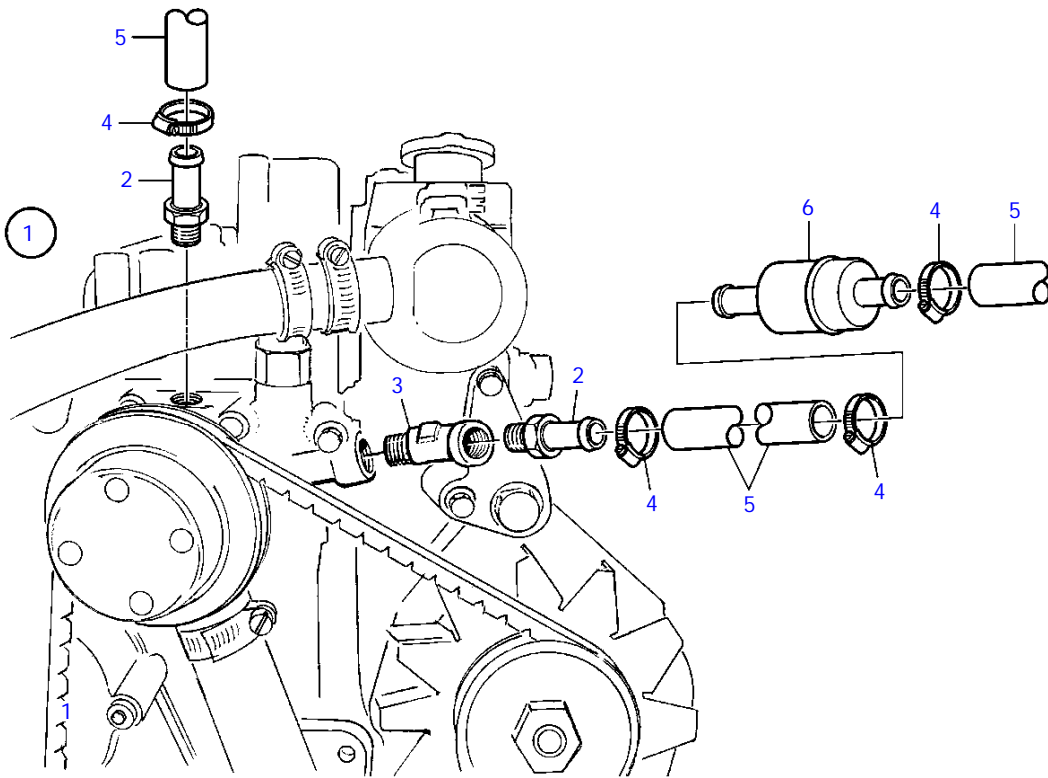


17709

MD2010C, MD2010D, MD2020C, MD2020D, MD2030C, MD2030D, MD2040C, MD2040D

REF	PART NO.	QTY	DESCRIPTION	NOTES
1	(3581050)	1	Bracket	Obsolete part
2	3581030	2	* Anchorage	
3	3580739	6	* Clamp	
4	948645	12	* Flange lock nut	M8
5	3580738	2	* Bracket	
6	985030	4	* Flange screw	
7	3581108	4	* Clamp	
8	3581109	2	* Plate	
9	3581027	2	* Tube	
10	3580737	1	* Attaching plate	
11	854607	4	* Bracket	
12	945444	8	* Flange screw	M8x25mm
13	945408	8	* Flange nut	M8
14	854608	2	* Tensioner	
15	946472	4	* Flange screw	M10x30mm
16	946329	2	* Flange screw	M10x25mm
17	971095	6	* Flange nut	M10

MD2010C, MD2010D, MD2020C, MD2020D

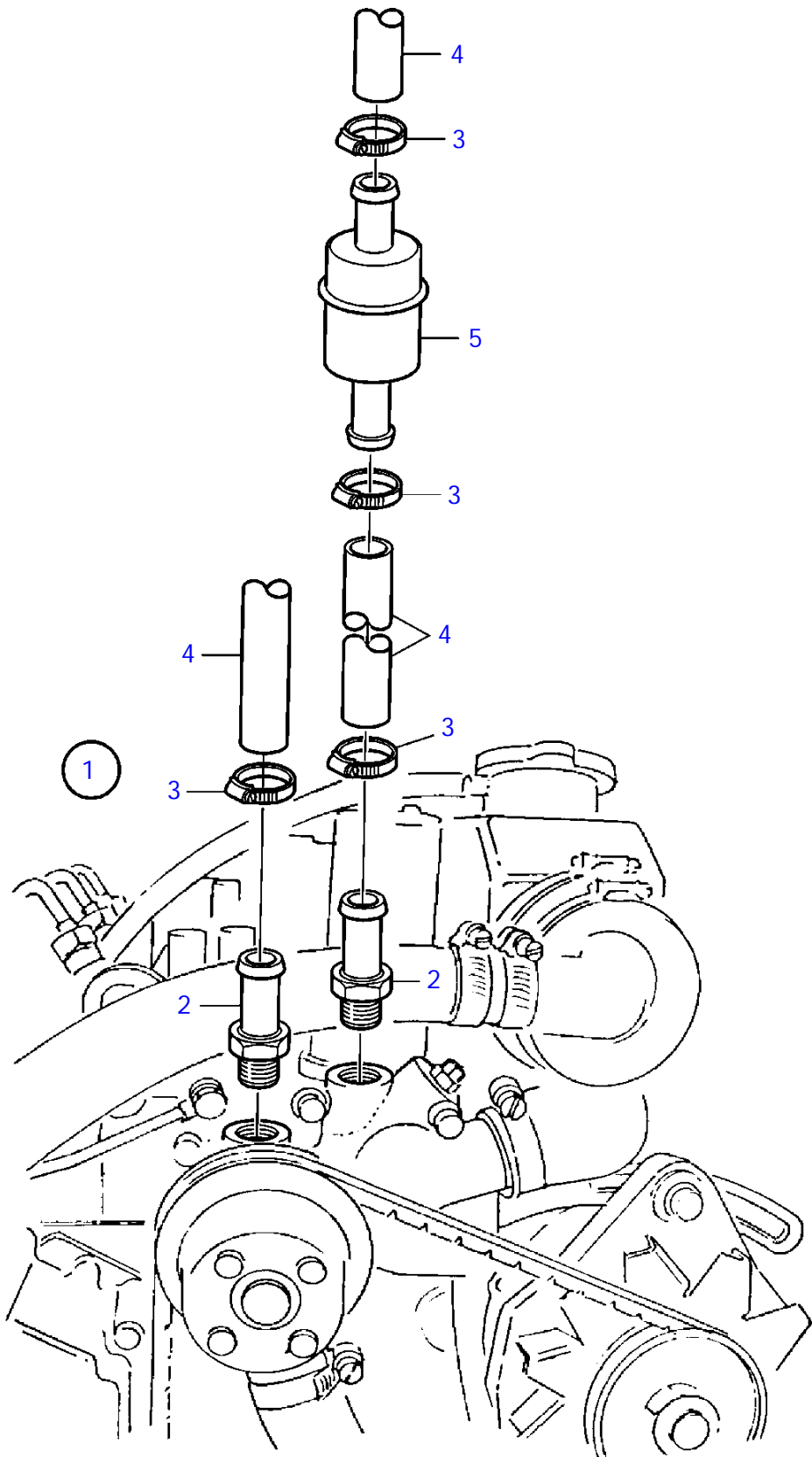


22668

MD2010C, MD2010D, MD2020C, MD2020D

REF	PART NO.	QTY	DESCRIPTION	SEE SEC.	NOTES
1	(3582398)	1	Hot water outlet		Obsolete part
			* Bulletin 43-21	43-21-EN	New Hot Water Outlet for MD2010C and MD2020C
2	976040	2	Hose nipple		
3	981883	1	Elbow nipple		
4	961665	4	Hose clamp		
5	952969	X	Hose		
6	(855844)	1	Thermostat		Some installations., Obsolete part

MD2030C, MD2030D

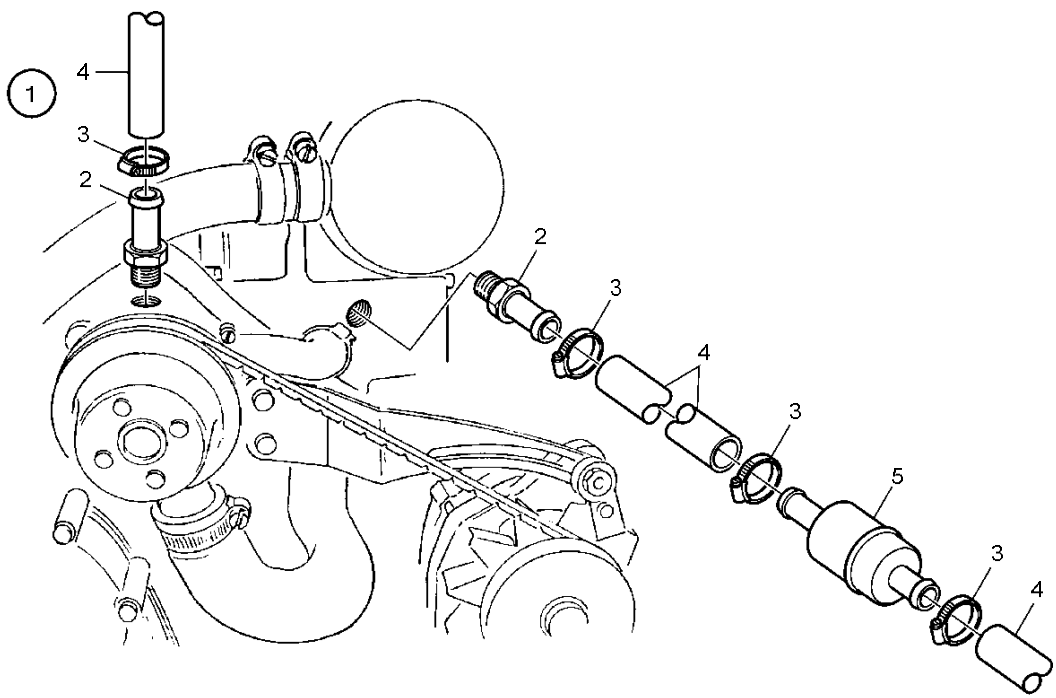


22669

MD2030C, MD2030D

REF	PART NO.	QTY	DESCRIPTION	SEE SEC.	NOTES
1	861523	1	Nipple kit		
			* Bulletin 43-21	43-21-EN	New Hot Water Outlet for MD2010C and MD2020C
2	976040	2	Hose nipple		
3	961665	4	Hose clamp		
4	952969	X	Hose		
5	(855844)	1	Thermostat		Some installations., Obsolete part

MD2040C, MD2040D



22670

MD2040C, MD2040D

REF	PART NO.	QTY	DESCRIPTION	SEE SEC.	NOTES
1	861523	1	Nipple kit		
			* Bulletin 43-21	43-21-EN	New Hot Water Outlet for MD2010C and MD2020C
2	976040	2	Hose nipple		
3	961665	4	Hose clamp		
4	952969	X	Hose		
5	(855844)	1	Thermostat		Some installations., Obsolete part

MD2010C, MD2010D

REF	PART NO.	QTY	DESCRIPTION	SEE SEC.	NOTES
1	876657	1	Main bearing kit	4012	Std D
	876658	1	Main bearing kit		U.S=0,25mm
	876659	1	Main bearing kit		U.S=0.50mm
		2	Piston kit	4012	
	861954	2	Piston ring kit	4012	Std D
	861955	2	Piston ring kit		O.S=0,25mm
	861956	2	Piston ring kit		Over size 0,50mm
	876669	1	Big-end bearing kit	4012	Std D
	876670	1	Big-end bearing kit		U.S=0,25mm
	876671	1	Big-end bearing kit		U.S=0.50mm
	(876688)	1	Repair kit, fuel feed pump	171	Obsolete part
	3586494	1	Impeller kit		
		1	* Impeller		
	803730	1	* Screw		
	833417	1	* Gasket		
	3862178	1	* Grease		
	876699	1	Repair kit, sea water pump		
		1	* Shaft		
	833996	2	* Sealing ring		
	925055	1	* O-ring		
	859101	1	* Spacer washer		
	181717	2	* Ball bearing		
	914446	1	* Snap ring		
	3581367	1	* Spacer sleeve		
	914515	1	* Snap ring		
	3580063	1	* O-ring		
	3581369	1	* Cam		
	804693	1	* Screw		
	18669	1	* Gasket		
	840386	1	* Cardboard tube		
	840384	6	* Screw		
	883832	1	* Carton		
	876653	1	Overhaul gasket kit, reconditioning		
	861536	1	* Gasket		
	861822	1	* Gasket		
	861823	1	* Sealing ring		
	861830	1	* O-ring		
	11994	1	* Gasket		(861835)
	861836	1	* Gasket		
	861838	1	* Gasket		
	11991	4	* Gasket		
	861851	4	* O-ring		
	861860	4	* Valve stem seal		
	861865	1	* Cylinder head gasket		
	11992	6	* Gasket		
	861887	1	* Gasket		
	861888	1	* Gasket		
	861897	1	* O-ring		
	861907	1	* Gasket		
	861909	1	* Gasket		
	861917	1	* Washer		
	861997	1	* O-ring		
	3580001	1	* Gasket		
	3580003	1	* Gasket		
	3580025	1	* Gasket		
	3580026	1	* Sealing ring		
	3580060	1	* Gasket		
	3580063	1	* O-ring		
	3580069	1	* Spacer		TH=0,2mm
	3580070	1	* Spacer		TH=0,3mm
	3580071	1	* Spacer		TH=0,4mm
	3580072	1	* Spacer		TH=0,5mm
	3580075	2	* Gasket		
	3580077	2	* Gasket		
	3580092	1	* Sealing ring		
	969011	5	* Gasket		
	3580111	1	* Gasket		
	18665	2	* Gasket		
	3580631	2	* Gasket		
	11992	4	* Gasket		
	(876708)	1	Onboard kit		Obsolete part. Contains pump impeller, driving belt, fuses, hose clamps, etc.

MD2020C, MD2020D

REF	PART NO.	QTY	DESCRIPTION	SEE SEC.	NOTES
1	876666	1	Main bearing kit	4017	Std D
	876667	1	Main bearing kit		U.S=0,25mm
	876668	1	Main bearing kit		U.S=0.50mm
		3	Piston kit	4017	
	861954	3	Piston ring kit	4017	Std D
	861955	3	Piston ring kit		O.S=0,25mm
	861956	3	Piston ring kit		Over size 0,50mm
	876672	1	Big-end bearing kit	4017	Std D
	876680	1	Big-end bearing kit		U.S=0,25mm
	876681	1	Big-end bearing kit		U.S=0.50mm
	(876688)	1	Repair kit, fuel feed pump	171	Obsolete part
	3586494	1	Impeller kit		
		1	* Impeller		
	803730	1	* Screw		
	833417	1	* Gasket		
	3862178	1	* Grease		
	876699	1	Repair kit, sea water pump		
		1	* Shaft		
	833996	2	* Sealing ring		
	925055	1	* O-ring		
	859101	1	* Spacer washer		
	181717	2	* Ball bearing		
	914446	1	* Snap ring		
	3581367	1	* Spacer sleeve		
	914515	1	* Snap ring		
	3580063	1	* O-ring		
	3581369	1	* Cam		
	804693	1	* Screw		
	18669	1	* Gasket		
	840386	1	* Cardboard tube		
	840384	6	* Screw		
	883832	1	* Carton		
	876654	1	Overhaul gasket kit, reconditioning		
	861536	1	* Gasket		
	861823	1	* Sealing ring		
	861830	1	* O-ring		
	11994	1	* Gasket		(861835)
	861838	1	* Gasket		
	11991	4	* Gasket		
	861851	4	* O-ring		
	861860	6	* Valve stem seal		
	11992	7	* Gasket		
	861897	1	* O-ring		
	861907	1	* Gasket		
	861917	1	* Washer		
	861997	1	* O-ring		
	3580001	1	* Gasket		
	3580003	1	* Gasket		
	3580025	1	* Gasket		
	3580026	1	* Sealing ring		
	3580060	1	* Gasket		
	3580063	1	* O-ring		
	3580075	3	* Gasket		
	3580077	3	* Gasket		
	3580092	1	* Sealing ring		
	969011	5	* Gasket		
	3580111	1	* Gasket		
	18665	2	* Gasket		
	3580631	3	* Gasket		
	11992	4	* Gasket		
	3580227	1	* Gasket		
	3580230	1	* Gasket		
	3580234	1	* Cylinder head gasket		
	3580238	1	* Gasket		
	3580239	1	* Gasket		
	3580245	1	* Gasket		
	3580264	1	* Spacer		TH=0,2mm
	(876708)	1	Onboard kit		Obsolete part, Contains pump impeller, driving belt, fuses, hose clamps, etc.

MD2030C, MD2030D

REF	PART NO.	QTY	DESCRIPTION	SEE SEC.	NOTES
1	876660	1	Main bearing kit	4208	Std D
	876661	1	Main bearing kit		U.S=0,25mm
	876662	1	Main bearing kit		U.S=0,50mm
		3	Piston kit	4208	
	3580337	3	Piston ring kit	4208	Std D
			Bulletin P-21-3-2	P-21-3-2-EN	Piston Ring Kit 3580337
1	3580338	3	Piston ring kit		O.S=0,25mm
	3580339	3	Piston ring kit		Over size 0,50mm
	876682	1	Big-end bearing kit	4208	Std D
	876683	1	Big-end bearing kit		U.S=0,25mm
	876684	1	Big-end bearing kit		U.S=0,50mm
	(876688)	1	Repair kit, fuel feed pump	171	Obsolete part
	3593659	1	Impeller kit		
		1	* Impeller		
	804697	1	* Screw		
	819959	1	* Gasket		
	3862178	1	* Grease		
	876700	1	Repair kit, sea water pump		
		1	* Shaft		
	833996	2	* Sealing ring		
	925055	1	* O-ring		
	859101	1	* Spacer washer		
	181717	2	* Ball bearing		
	914446	1	* Snap ring		
	3581367	1	* Spacer sleeve		
	914515	1	* Snap ring		
	3580380	1	* O-ring		
	827009	1	* Cam		
	804693	1	* Screw		
	18669	1	* Gasket		
	840386	1	* Cardboard tube		
	840384	6	* Screw		
	883832	1	* Carton		
	876655	1	Overhaul gasket kit, reconditioning		
	861830	1	* O-ring		
	11994	1	* Gasket		(861835)
	861838	1	* Gasket		
	11991	4	* Gasket		
	861851	2	* O-ring		
	11992	7	* Gasket		
	861897	1	* O-ring		
	861907	1	* Gasket		
	861917	1	* Washer		
	861997	1	* O-ring		
	3580026	1	* Sealing ring		
	3580092	1	* Sealing ring		
	969011	5	* Gasket		
	3580111	1	* Gasket		
	18665	2	* Gasket		
	11992	4	* Gasket		
	3580264	1	* Spacer		TH=0,2mm
	3580288	1	* Gasket		
	3580292	1	* Gasket		
	3580305	3	* Valve stem seal		
	3580306	3	* Valve stem seal		
	3580309	1	* Cylinder head gasket		
	3580316	1	* Gasket		
	3580317	1	* O-ring		
	3580323	1	* Gasket		
	3580360	1	* Gasket		
	3580367	1	* Gasket		
	3580369	1	* Gasket		
	3580374	1	* Gasket		
	3580378	1	* Gasket		
	3580380	1	* O-ring		
	3580383	3	* Gasket		
	3580430	3	* Gasket		
	3580452	3	* Washer		
	3580453	1	* Gasket		
	861823	1	* Sealing ring		
	876709	1	Onboard kit		Contains pump impeller, driving belt, fuses, hose clamps, etc.

MD2040C, MD2040D

REF	PART NO.	QTY	DESCRIPTION	SEE SEC.	NOTES
1	876663	1	Main bearing kit	4021	Std D
	876664	1	Main bearing kit		U.S=0,25mm
	876665	1	Main bearing kit		U.S=0,50mm
		3	Piston kit	4021	
	3580546	3	Piston ring kit	4021	Std D
	3580547	3	Piston ring kit		Over size 0,50mm
	876685	1	Big-end bearing kit	4021	Std D
	876686	1	Big-end bearing kit		U.S=0,25mm
	876687	1	Big-end bearing kit		U.S=0,50mm
	(876688)	1	Repair kit, fuel feed pump	171	Obsolete part
	3593659	1	Impeller kit		
		1	* Impeller		
	804697	1	* Screw		
	819959	1	* Gasket		
	3862178	1	* Grease		
	876700	1	Repair kit, sea water pump		
		1	* Shaft		
	833996	2	* Sealing ring		
	925055	1	* O-ring		
	859101	1	* Spacer washer		
	181717	2	* Ball bearing		
	914446	1	* Snap ring		
	3581367	1	* Spacer sleeve		
	914515	1	* Snap ring		
	3580380	1	* O-ring		
	827009	1	* Cam		
	804693	1	* Screw		
	18669	1	* Gasket		
	840386	1	* Cardboard tube		
	840384	6	* Screw		
	883832	1	* Carton		
	3593659	1	Impeller kit		
		1	* Impeller		
	3862178	1	* Grease		
	804697	1	* Screw		
	819959	1	Gasket		
	840386	1	Cardboard tube		
	876656	1	Overhaul gasket kit, reconditioning		
	861830	1	* O-ring		
	11994	1	* Gasket		(861835)
	861838	1	* Gasket		
	11991	2	* Gasket		
	861851	1	* O-ring		
	11992	4	* Gasket		
	861897	1	* O-ring		
	861907	1	* Gasket		
	861917	2	* Washer		
	861997	1	* O-ring		
	3580077	3	* Gasket		
	3580092	1	* Sealing ring		
	969011	3	* Gasket		
	3580111	1	* Gasket		
	11992	4	* Gasket		
	3580305	3	* Valve stem seal		
	3580306	3	* Valve stem seal		
	3580378	1	* Gasket		
	3580380	1	* O-ring		
	3580462	1	* Gasket		
	3580463	1	* Sealing ring		
	3580468	1	* Gasket		
	3584202	1	* Cylinder head gasket		(3580482)
	3580495	1	* Gasket		
	3580496	1	* Gasket		
	3580499	3	* Gasket		
	3580507	1	* Intake gasket		
	3580512	1	* Gasket		
	3580514	1	* Sealing ring		
	3583780	1	* Gasket		(3580516)
	3583707	1	* Gasket		(3580572)
	3583754	1	* Gasket		(3580578)
	3583710	1	* Gasket		(3580585)
	3580586	1	* Sealing ring		
	3580591	1	* Spacer		
	11992	4	* Gasket		
	11994	2	* Gasket		
	3580631	3	* Gasket		
	3580598	2	* Sealing washer		
	876710	1	Onboard kit		Contains pump impeller, driving belt, fuses, hose clamps, etc.

120S-D, 120S-E

REF	PART NO.	QTY	DESCRIPTION	NOTES
1	876391	1	Gasket kit	
	804261	1	* Gasket	Not for 120S-E
	873094	1	* Sealing ring	
	3593663	2	* Sealing ring	
	3856834	1	* Gasket	
	925054	1	* O-ring	Not for 120S-E
	925055	1	* O-ring	
	949659	1	* O-ring	
	925093	1	* O-ring	
	1664473	1	* O-ring	
	925256	3	* O-ring	
	925262	1	* O-ring	
	949962	1	* O-ring	
	955989	2	* O-ring	Not for 120S-E
	853868	1	* Sealing ring	
	3856597	1	Mounting kit	
		1	* Sealing strip	
	3856834	1	* Gasket	
	852669	1	* Locking wire	
	925256	1	* O-ring	
	(1141570)	1	* Sealant	Obsolete part, 60g

--

REF	PART NO.	QTY	DESCRIPTION
1	875704	1	Gasket kit
	853868	1	* Sealing ring
	873094	1	* Sealing ring
	873100	1	* Sealing ring
	949721	1	* O-ring
	949659	1	* O-ring
	925093	1	* O-ring
	925256	1	* O-ring
	925262	1	* O-ring
	943309	1	* O-ring
	944138	1	* Sealing ring
	947084	1	* Gasket
	949750	1	* O-ring
	949962	1	* O-ring
	1664473	1	* O-ring

--	--	--	--

--

DESCRIPTION	SEE SEC.	NOTES
Lubricating System	4022	MD2010C, MD2010D
Lubricating System	4046	MD2020C, MD2020D
Lubricating System	4056	MD2030C, MD2030D
Lubricating System	4057	MD2040C, MD2040D
Electric Bilge Pump 12V/24V: 12V	261	MD2010C, MD2010D, MD2020C, MD2020D, MD2030C, MD2030D, MD2040C, MD2040D
Electric Bilge Pump 12V/24V: 24V	261B	MD2010C, MD2010D, MD2020C, MD2020D, MD2030C, MD2030D, MD2040C, MD2040D



DESCRIPTION	SEE SEC.	NOTES
Fuel System	2419	MD2010C, MD2010D
Fuel System	2420	MD2020C, MD2020D
Fuel System	2421	MD2030C, MD2030D
Fuel System	2422	MD2040C, MD2040D
Fuel Feed Pump, Components	171	MD2010C, MD2010D, MD2020C, MD2020D, MD2030C, MD2030D, MD2040C, MD2040D
Fuel Injection Pump, Components	182	MD2010C, MD2010D
Fuel Injection Pump, Components: 3580263	183	MD2020C, MD2020D
Fuel Injection Pump, Components: 3580262	9343	MD2030C, MD2030D
Fuel Injection Pump, Components	201	MD2040C, MD2040D
Fuel Injector, Components	179	MD2010C, MD2010D, MD2020C, MD2020D
Fuel Injector, Components	2394	MD2030C
Fuel Injector, Components	232	MD2040C
Fuel Tank 40L, with Connections	210	MD2010C, MD2010D, MD2020C, MD2020D, MD2030C, MD2030D, MD2040C, MD2040D
Fuel Tank 20 L	211	MD2010C, MD2010D, MD2020C, MD2020D, MD2030C, MD2030D, MD2040C, MD2040D
Fuel Filter and Water Separator	9044	MD2010C, MD2010D, MD2020C, MD2020D, MD2030C, MD2030D, MD2040C, MD2040D
Fuel Filter and Water Separator	292	MD2010C, MD2010D, MD2020C, MD2020D, MD2030C, MD2030D, MD2040C, MD2040D
Fuel Filter and Water Separator, RINA-approved	293	MD2010C, MD2010D, MD2020C, MD2020D, MD2030C, MD2030D, MD2040C, MD2040D
Fuel Filter and Water Separator	9024	MD2010C, MD2010D, MD2020C, MD2020D, MD2030C, MD2030D, MD2040C, MD2040D
Fuel Filter and Water Separator, RINA-approved	9025	MD2010C, MD2010D, MD2020C, MD2020D, MD2030C, MD2030D, MD2040C, MD2040D
Regulation System: A	4221	MD2010C, MD2010D, MD2020C, MD2020D, MD2030C, MD2030D
Regulation System: B	4221B	MD2010C, MD2010D, MD2020C, MD2020D, MD2030C, MD2030D
Regulation System: C	4221C	MD2010C, MD2010D, MD2020C, MD2020D, MD2030C, MD2030D
Regulation System	4222	MD2040C, MD2040D



--

DESCRIPTION	SEE SEC.	NOTES
Induction and Exhaust Manifold	4151	MD2010C, MD2010D
Induction and Exhaust Manifold	4152	MD2020C, MD2020D
Induction and Exhaust Manifold	4154	MD2030C, MD2030D
Induction and Exhaust Manifold	4157	MD2040C, MD2040D
Exhaust Riser	4166	MD2020C, MD2020D, MD2030C, MD2030D, MD2040C, MD2040D
Water Cooled Silencer and Exhaust Line: 828064	2428	MD2010C, MD2010D, MD2020C, MD2020D, MD2030C, MD2030D, MD2040C, MD2040D
Water Cooled Silencer and Exhaust Line: 828837	2428B	MD2010C, MD2010D, MD2020C, MD2020D, MD2030C, MD2030D, MD2040C, MD2040D

--	--	--

DESCRIPTION	SEE SEC.	NOTES
Heat Exchanger	4158	MD2010C, MD2010D
Heat Exchanger	4159	MD2020C, MD2020D
Heat Exchanger	4161	MD2030C, MD2030D
Heat Exchanger	4077	MD2040C, MD2040D
Water Pump	2433	MD2010C, MD2010D
Water Pump	2434	MD2020C, MD2020D
Water Pump	2435	MD2030C, MD2030D
Water Pump: MD2040CD	2436	MD2040C
Sea Water Pump: A	4174	MD2010C, MD2010D, MD2020C, MD2020D, MD2030C, MD2030D, MD2040C, MD2040D
Sea Water Pump: B	4174B	MD2010C, MD2010D, MD2020C, MD2020D, MD2030C, MD2030D, MD2040C, MD2040D
Sea Water Pump: C	4174C	MD2010C, MD2010D, MD2020C, MD2020D, MD2030C, MD2030D, MD2040C, MD2040D
Sea Water Pump, Components	4153	MD2010C, MD2010D, MD2020C, MD2020D
Sea Water Pump, Components	9344	MD2030C, MD2030D, MD2040C, MD2040D
Cooling Water Intake	9345	MD2010C, MD2010D, MD2020C, MD2020D, MD2030C, MD2030D
Cooling Water Intake	9346	MD2040C, MD2040D
Sea Water Filter	207	MD2010C, MD2010D, MD2020C, MD2020D, MD2030C, MD2030D, MD2040C, MD2040D
Vacuum Valve	208	MD2010C, MD2010D, MD2020C, MD2020D, MD2030C, MD2030D, MD2040C, MD2040D
Expansion Tank	573	MD2010C, MD2010D, MD2020C, MD2020D, MD2030C, MD2030D, MD2040C, MD2040D

DESCRIPTION	SEE SEC.	NOTES
Control Connection, Speed and Stop Control	2483	MD2010C, MD2010D, MD2020C, MD2020D
Control Connection, Speed and Stop Control	9347	MD2030C, MD2030D
Control Connection, Speed and Stop Control	9348	MD2040C, MD2040D
Control for top Installation, PC740: SINGLE	264	MD2010C, MD2010D, MD2020C, MD2020D, MD2030C, MD2030D, MD2040C, MD2040D
Control for top Installation, PC740: TWIN	264B	MD2010C, MD2010D, MD2020C, MD2020D, MD2030C, MD2030D, MD2040C, MD2040D
Control for top Installation, PC740 Sail Boat	267	MD2010C, MD2010D, MD2020C, MD2020D, MD2030C, MD2030D, MD2040C, MD2040D
Control for top Installation, PC840: 853168	265	MD2010C, MD2010D, MD2020C, MD2020D, MD2030C, MD2030D, MD2040C, MD2040D
Control for top Installation, PC840: 853169	265B	MD2010C, MD2010D, MD2020C, MD2020D, MD2030C, MD2030D, MD2040C, MD2040D
Control for Side Installation, PC741, PC841: PC741	271	MD2010C, MD2010D, MD2020C, MD2020D, MD2030C, MD2030D, MD2040C, MD2040D
Control for Side Installation, PC741, PC841: PC741, SAILING BOAT	271B	MD2010C, MD2010D, MD2020C, MD2020D, MD2030C, MD2030D, MD2040C, MD2040D
Control for Side Installation, PC741, PC841: PC841	271C	MD2010C, MD2010D, MD2020C, MD2020D, MD2030C, MD2030D, MD2040C, MD2040D
Handle for Control	266	MD2010C, MD2010D, MD2020C, MD2020D, MD2030C, MD2030D, MD2040C, MD2040D
Dual Station Unit	277	MD2010C, MD2010D, MD2020C, MD2020D, MD2030C, MD2030D, MD2040C, MD2040D
DS Unit for Throttle Control	9295	MD2010C, MD2010D, MD2020C, MD2020D, MD2030C, MD2030D, MD2040C, MD2040D
Starter Inhibitor	9296	MD2010C, MD2010D, MD2020C, MD2020D, MD2030C, MD2030D, MD2040C, MD2040D
Control Cables	36542	MD2010C, MD2010D, MD2020C, MD2020D, MD2030C, MD2030D, MD2040C, MD2040D
Control Cables, Type 233, 333, 443: Type 233	231	MD2010C, MD2010D, MD2020C, MD2020D, MD2030C, MD2030D, MD2040C, MD2040D
Control Cables, Type 233, 333, 443: Type 333	231B	MD2010C, MD2010D, MD2020C, MD2020D, MD2030C, MD2030D, MD2040C, MD2040D
Control Cables, Type 233, 333, 443: Type 443	231C	MD2010C, MD2010D, MD2020C, MD2020D, MD2030C, MD2030D, MD2040C, MD2040D

--

DESCRIPTION	SEE SEC.	NOTES
Alternator: A	4187	MD2010C, MD2010D, MD2020C, MD2020D
Alternator: B	4187B	MD2010C, MD2010D, MD2020C, MD2020D
Alternator: A	4191	MD2030C, MD2030D, MD2040C, MD2040D
Alternator: B	4191B	MD2030C, MD2030D, MD2040C, MD2040D
Alternator 14V 60A, Components	448	MD2010C, MD2010D, MD2020C, MD2020D, MD2030C, MD2030D, MD2040C, MD2040D
Extra Alternator	4207	MD2020C, MD2020D, MD2030C, MD2030D
Extra Alternator	4039	MD2040C, MD2040D
Charging Distributor	258	MD2010C, MD2010D, MD2020C, MD2020D, MD2030C, MD2030D, MD2040C, MD2040D
Starter Motor and Earth Relay: A	4220	MD2010C, MD2010D, MD2020C, MD2020D, MD2030C, MD2030D, MD2040C, MD2040D
Starter Motor and Earth Relay: B	4220B	MD2010C, MD2010D, MD2020C, MD2020D, MD2030C, MD2030D, MD2040C, MD2040D
Starter Motor and Earth Relay: C	4220C	MD2010C, MD2010D, MD2020C, MD2020D, MD2030C, MD2030D, MD2040C, MD2040D
Starter Motor, Components: 861845	199	MD2010C, MD2010D, MD2020C, MD2020D
Starter Motor, Components: 3580295	256	MD2030C, MD2030D
Starter Motor, Components: 3580472	257	MD2040C, MD2040D
Electrical System	2466	MD2010C, MD2010D
Electrical System	9349	MD2020C, MD2020D, MD2030C, MD2030D
Electrical System	9350	MD2040C, MD2040D
Instrument Panel Standard, with Start Button: D2-75A	2486	MD2010C, MD2010D, MD2020C, MD2020D, MD2030C, MD2030D, MD2040C, MD2040D
Instrument Panel Standard, with Key Switch	2489	MD2010C, MD2010D, MD2020C, MD2020D, MD2030C, MD2030D, MD2040C, MD2040D
Extra Instrument Panel	279	MD2010C, MD2010D, MD2020C, MD2020D, MD2030C, MD2030D, MD2040C, MD2040D
Extra Instrument Panel, Hour Meter and Volt Meter	278	MD2010C, MD2010D, MD2020C, MD2020D, MD2030C, MD2030D, MD2040C, MD2040D
Instrument Panel 12V	792	MD2010C, MD2010D, MD2020C, MD2020D, MD2030C, MD2030D, MD2040C, MD2040D
Rudder Indicator Kit for Reverse Gear	252	MD2010C, MD2010D, MD2020C, MD2020D, MD2030C, MD2030D, MD2040C, MD2040D
Clock Kit	253	MD2010C, MD2010D, MD2020C, MD2020D, MD2030C, MD2030D, MD2040C, MD2040D
Main Battery Switch	260	MD2010C, MD2010D, MD2020C, MD2020D, MD2030C, MD2030D, MD2040C, MD2040D
Exhaust Thermo Switch Control	263	MD2010C, MD2010D, MD2020C, MD2020D, MD2030C, MD2030D, MD2040C, MD2040D
Tank Meter Kit for Fuel	274	MD2010C, MD2010D, MD2020C, MD2020D, MD2030C, MD2030D, MD2040C, MD2040D
Tank Meter Kit for Fuel	9537	MD2010C, MD2010D, MD2020C, MD2020D, MD2030C, MD2030D, MD2040C, MD2040D
Alarm Panel	280	MD2010C, MD2010D, MD2020C, MD2020D, MD2030C, MD2030D, MD2040C, MD2040D
Tank Meter Kit for Fresh Water	35681	MD2010C, MD2010D, MD2020C, MD2020D, MD2030C, MD2030D, MD2040C, MD2040D
Electrical Materials	1963	MD2010C, MD2010D, MD2020C, MD2020D, MD2030C, MD2030D, MD2040C, MD2040D
Electrical Materials	1964	MD2010C, MD2010D, MD2020C, MD2020D, MD2030C, MD2030D, MD2040C, MD2040D
Electrical Materials	1965	MD2010C, MD2010D, MD2020C, MD2020D, MD2030C, MD2030D, MD2040C, MD2040D





DESCRIPTION	SEE SEC.	NOTES
Connecting Components for 120S-E: A	4209	MD2010C, MD2020C, MD2030C, MD2040C
Connecting Components for 120S-E: B	4209B	MD2010C, MD2020C, MD2030C, MD2040C
Connecting Components for 120S-E: C	4209C	MD2010C, MD2020C, MD2030C, MD2040C
Upper Gear Unit	4202	120S-E
Lower Gear Unit: 120S-E	4203	
Drive Extension: L=51mm	228	MD2010C, MD2010D, MD2020C, MD2020D, MD2030C, MD2030D, MD2040C, MD2040D
Drive Extension: L=102mm	228B	MD2010C, MD2010D, MD2020C, MD2020D, MD2030C, MD2030D, MD2040C, MD2040D
Connection Kit for S-drive MS25S, MS25SR	8924	MD2010D, MD2020D, MD2030D, MD2040D
Connecting Components for S-drive 130S-A, 130SR-A	8925	MD2010D, MD2020D, MD2030D, MD2040D
Connecting Components for MS2A-E, MS2L-E: A	4210	MD2010C, MD2020C, MD2030C, MD2040C
Connecting Components for MS2A-E, MS2L-E: B	4210B	MD2010C, MD2020C, MD2030C, MD2040C
Reverse Gear: MS2A-E, RATIO 2.4:1	4204	
Reverse Gear: MS2A-E, RATIO 3.0:1	4204B	
Reverse Gear: MS2L-E, RATIO 2.3:1	4204C	
Reverse Gear: MS2L-E	4205	
Connecting Components for Reverse Gear MS10A-A, MS10L-A	8926	MD2010D, MD2020D, MD2030D
Connection Kit for Reverse Gear MS15A-A, MS15L-A	8927	MD2040D
Propeller for S-drive	229	MD2010C, MD2010D, MD2020C, MD2020D, MD2030C, MD2030D, MD2040C, MD2040D
Bronze Propeller and Zinc Anode, Acc. to ISO-Std	373	MD2010C, MD2010D, MD2020C, MD2020D, MD2030C, MD2030D, MD2040C, MD2040D
Shaft Coupling, Flexible: 833626	281	MD2010C, MD2010D, MD2020C, MD2020D, MD2030C, MD2030D, MD2040C, MD2040D
Shaft Coupling, Flexible: 833627	281B	MD2010C, MD2010D, MD2020C, MD2020D, MD2030C, MD2030D, MD2040C, MD2040D
Shaft Coupling, Locking Pin: 25mm	284	MD2010C, MD2010D, MD2020C, MD2020D, MD2030C, MD2030D, MD2040C, MD2040D
Shaft Coupling, Locking Pin: 30mm	284B	MD2010C, MD2010D, MD2020C, MD2020D, MD2030C, MD2030D, MD2040C, MD2040D
Shaft Coupling, Locking Pin: Max 30mm	284C	MD2010C, MD2010D, MD2020C, MD2020D, MD2030C, MD2030D, MD2040C, MD2040D
Shaft Coupling, Clamp Type: 25mm	282	MD2010C, MD2010D, MD2020C, MD2020D, MD2030C, MD2030D, MD2040C, MD2040D
Shaft Coupling, Clamp Type: 30mm	282B	MD2010C, MD2010D, MD2020C, MD2020D, MD2030C, MD2030D, MD2040C, MD2040D
Propeller Shaft Stuffing Box: D=25mm	236	MD2010C, MD2010D, MD2020C, MD2020D, MD2030C, MD2030D, MD2040C, MD2040D
Propeller Shaft Stuffing Box: D=30mm	236B	MD2010C, MD2010D, MD2020C, MD2020D, MD2030C, MD2030D, MD2040C, MD2040D
Folding Propeller, 2-blade	4223	MD2010C, MD2010D, MD2020C, MD2020D, MD2030C, MD2030D, MD2040C, MD2040D
Folding Propeller 3-blade	4206	MD2010C, MD2010D, MD2020C, MD2020D, MD2030C, MD2030D, MD2040C, MD2040D
Greaser and Stuffing Box	285	MD2010C, MD2010D, MD2020C, MD2020D, MD2030C, MD2030D, MD2040C, MD2040D
Stern Bearing: 25mm	286	MD2010C, MD2010D, MD2020C, MD2020D, MD2030C, MD2030D, MD2040C, MD2040D
Stern Bearing: 30mm	286B	MD2010C, MD2010D, MD2020C, MD2020D, MD2030C, MD2030D, MD2040C, MD2040D



--

DESCRIPTION	SEE SEC.	NOTES
Steering System STS330	225	MD2010C, MD2010D, MD2020C, MD2020D, MD2030C, MD2030D, MD2040C, MD2040D
Steering System, Mechanical	9308	MD2010C, MD2010D, MD2020C, MD2020D, MD2030C, MD2030D, MD2040C, MD2040D
Steering System, Mechanical with Tilt	9309	MD2010C, MD2010D, MD2020C, MD2020D, MD2030C, MD2030D, MD2040C, MD2040D

--

DESCRIPTION	SEE SEC.	NOTES
Repair Kits: A	4232	MD2010C, MD2010D, MD2020C, MD2020D, MD2030C, MD2030D
Repair Kits: B	4232B	MD2010C, MD2010D, MD2020C, MD2020D, MD2030C, MD2030D
Repair Kits: C	4232C	MD2010C, MD2010D, MD2020C, MD2020D, MD2030C, MD2030D
Repair Kits	4233	MD2040C, MD2040D
Repair Kits	152	120S-D, 120S-E
Repair Kits	290	



MD2010C, MD2010D, MD2020C, MD2020D, MD2030C, MD2030D, MD2040C, MD2040D,
120S-D, 120S-E

--

REF	DESCRIPTION	SEE SEC.
21	Engine	21
22	Lubricating System	22
23	Fuel System	23
25	Intake and Exhaust System	25
26	Cooling System	26
27	Controls	27
30	Electrical System	30
44	Transmissions	44
64	Steering System	64
90	Miscellaneous Equipment	90
99	Repair Kits	99

--	--	--

