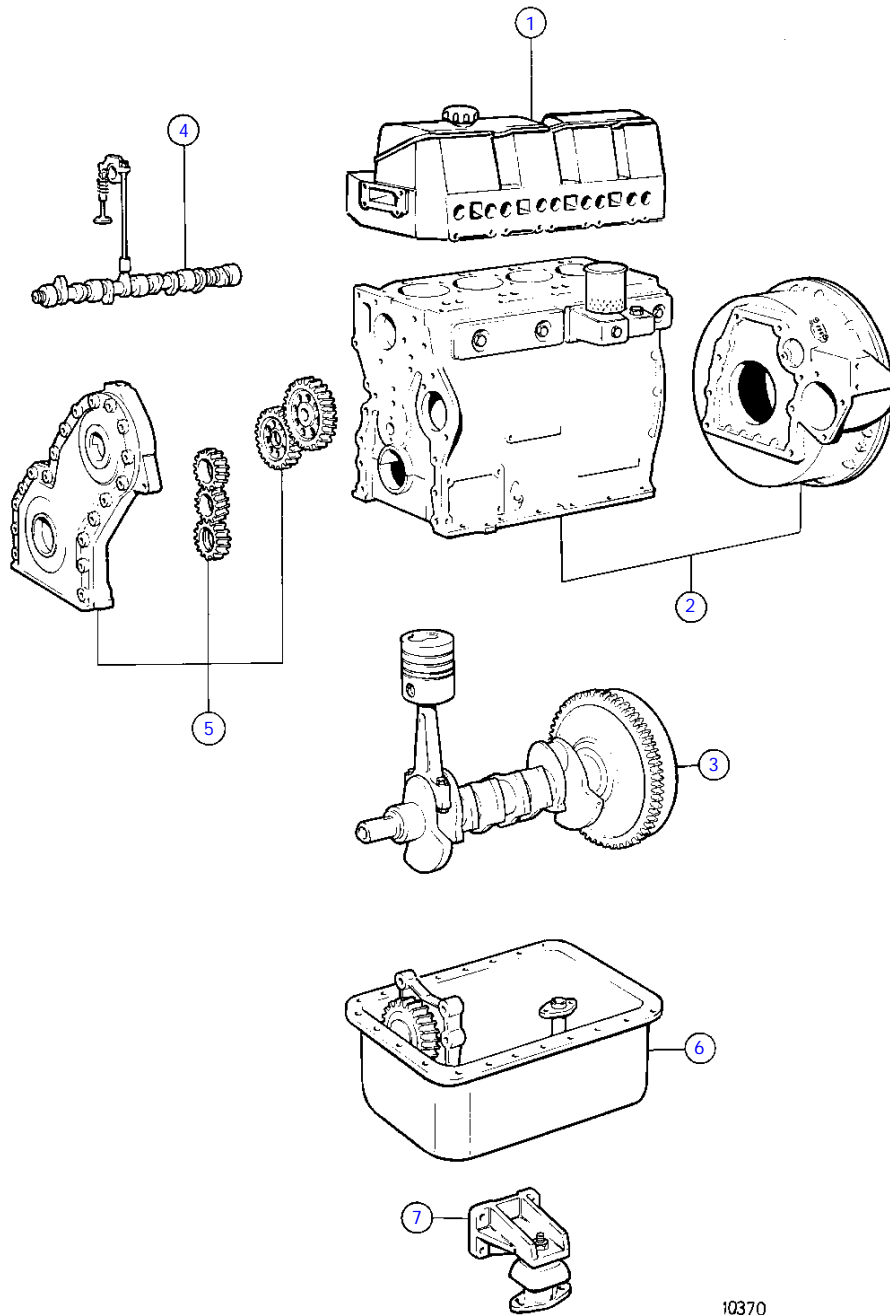


MD31A

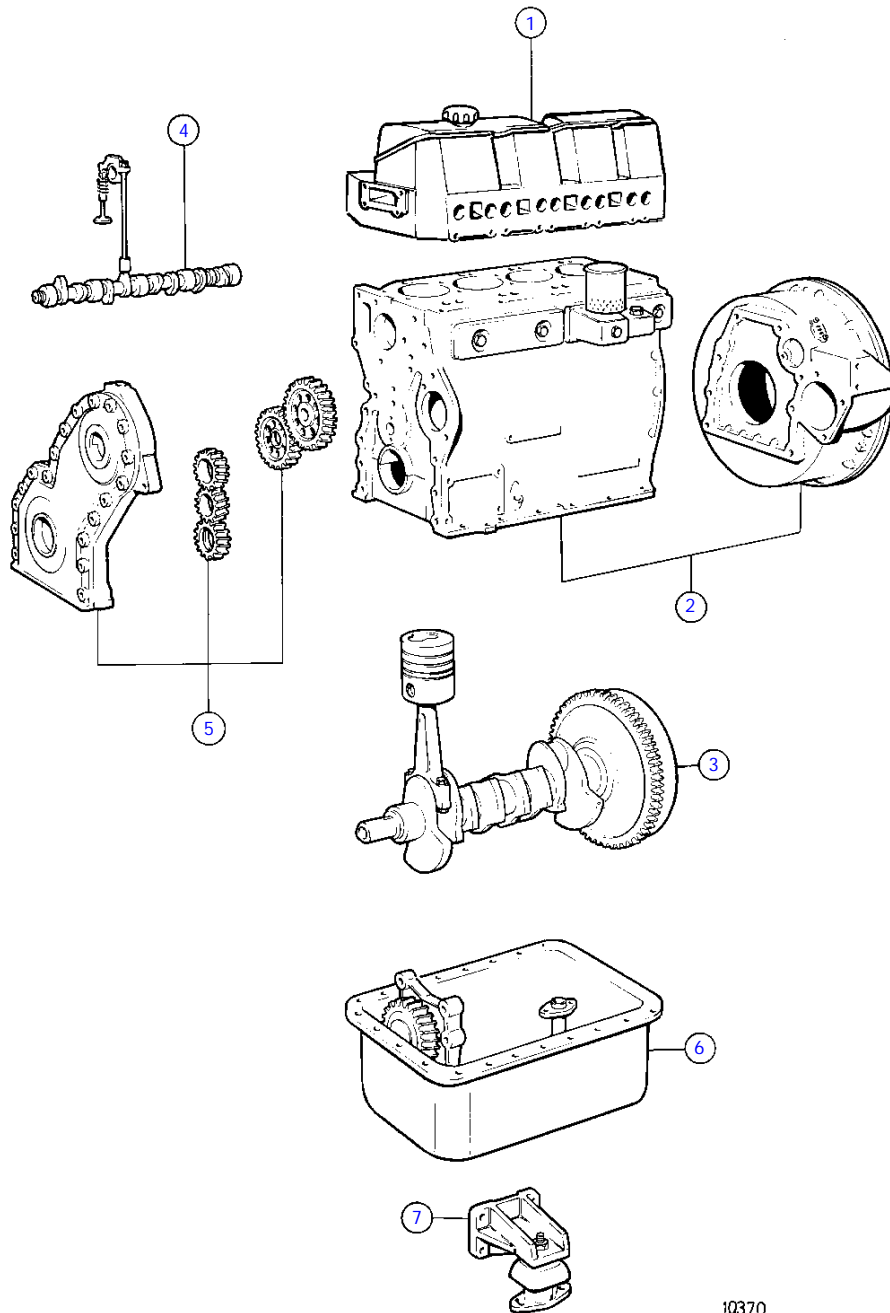


10370

MD31A

REF	QTY	DESCRIPTION	SEE SEC.
1	1	CYLINDER HEAD	19101
2	1	CYLINDER BLOCK AND FLYWHEEL COVER	19103
3	1	CRANKSHAFT AND RELATED PARTS	19107
4	1	CAMSHAFT AND VALVE MECHANISM	19111
5	1	TIMING GEAR COVER AND GEARS	19115
6	1	LUBRICATING SYSTEM	19119
7	1	ENGINE MOUNTS	19128

TMD31A

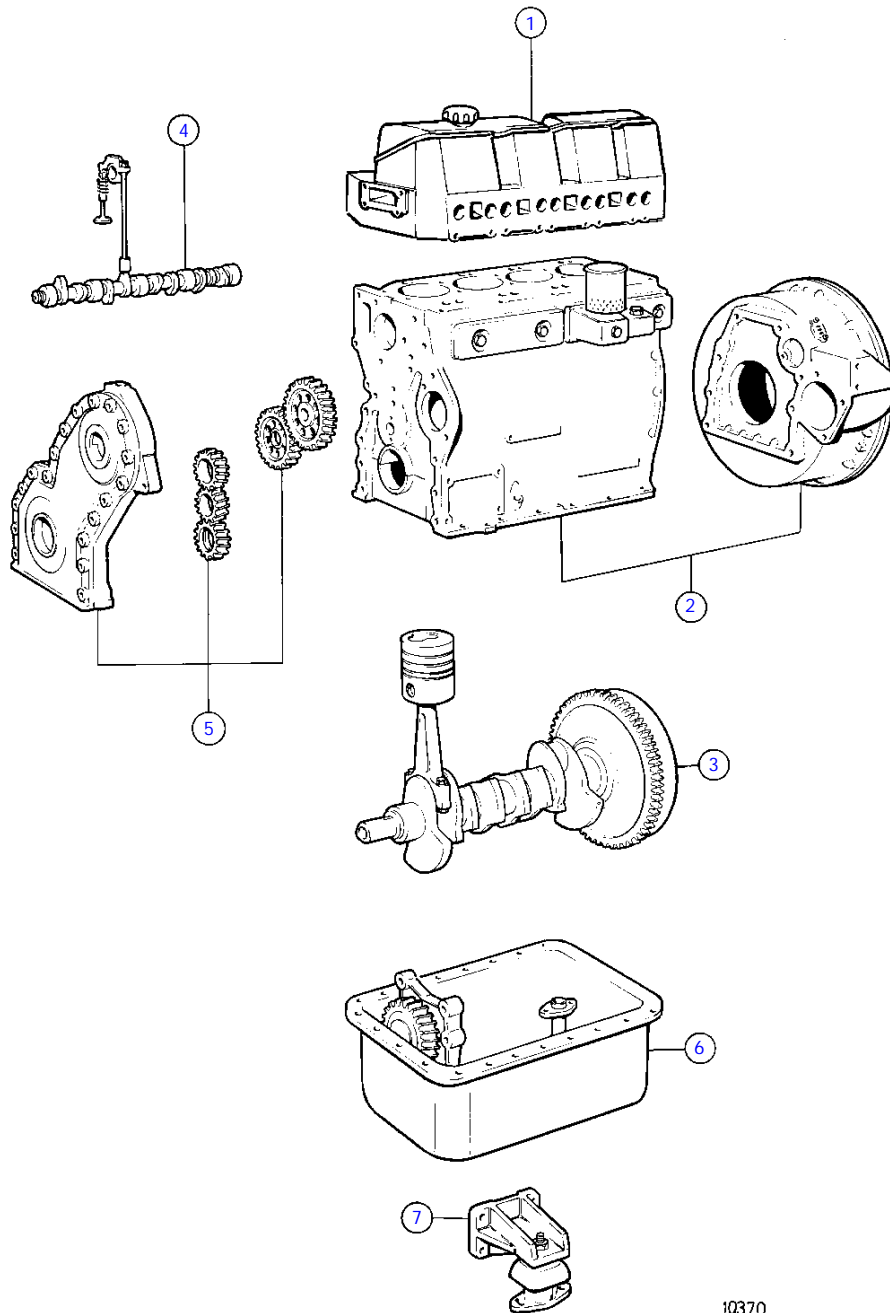


10370

TMD31A

REF	QTY	DESCRIPTION	SEE SEC.
1	1	CYLINDER HEAD	19101
2	1	CYLINDER BLOCK AND FLYWHEEL COVER	19103
3	1	CRANKSHAFT AND RELATED PARTS	19107
4	1	CAMSHAFT AND VALVE MECHANISM	19111
5	1	TIMING GEAR COVER AND GEARS	19115
6	1	LUBRICATING SYSTEM	19119
7	1	ENGINE MOUNTS	19128

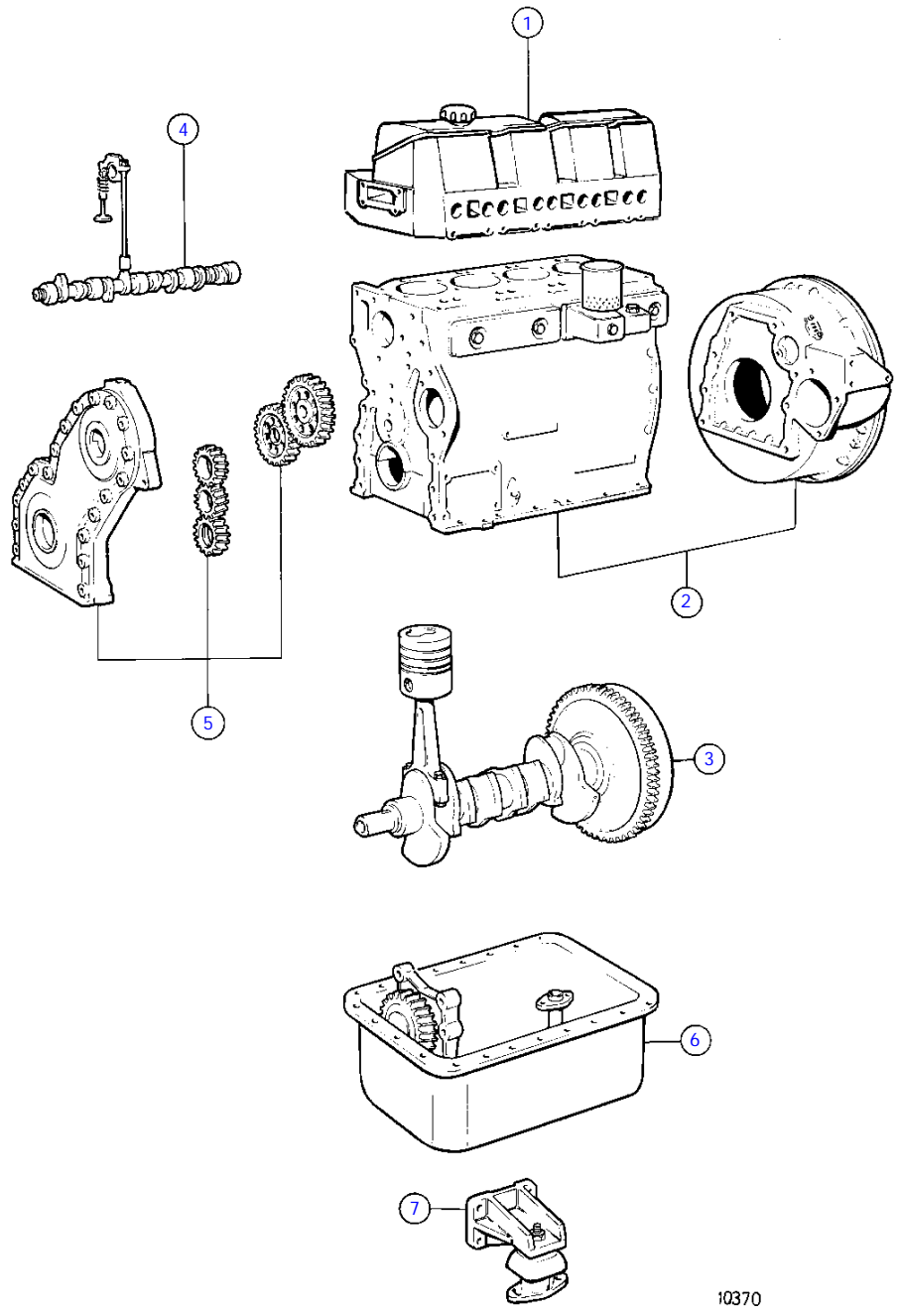
TAMD31A



10370

TAMD31A

REF	QTY	DESCRIPTION	SEE SEC.
1	1	CYLINDER HEAD	19101
2	1	CYLINDER BLOCK AND FLYWHEEL COVER	19103
3	1	CRANKSHAFT AND RELATED PARTS	19107
4	1	CAMSHAFT AND VALVE MECHANISM	19111
5	1	TIMING GEAR COVER AND GEARS	19115
6	1	LUBRICATING SYSTEM	19119
7	1	ENGINE MOUNTS	19128

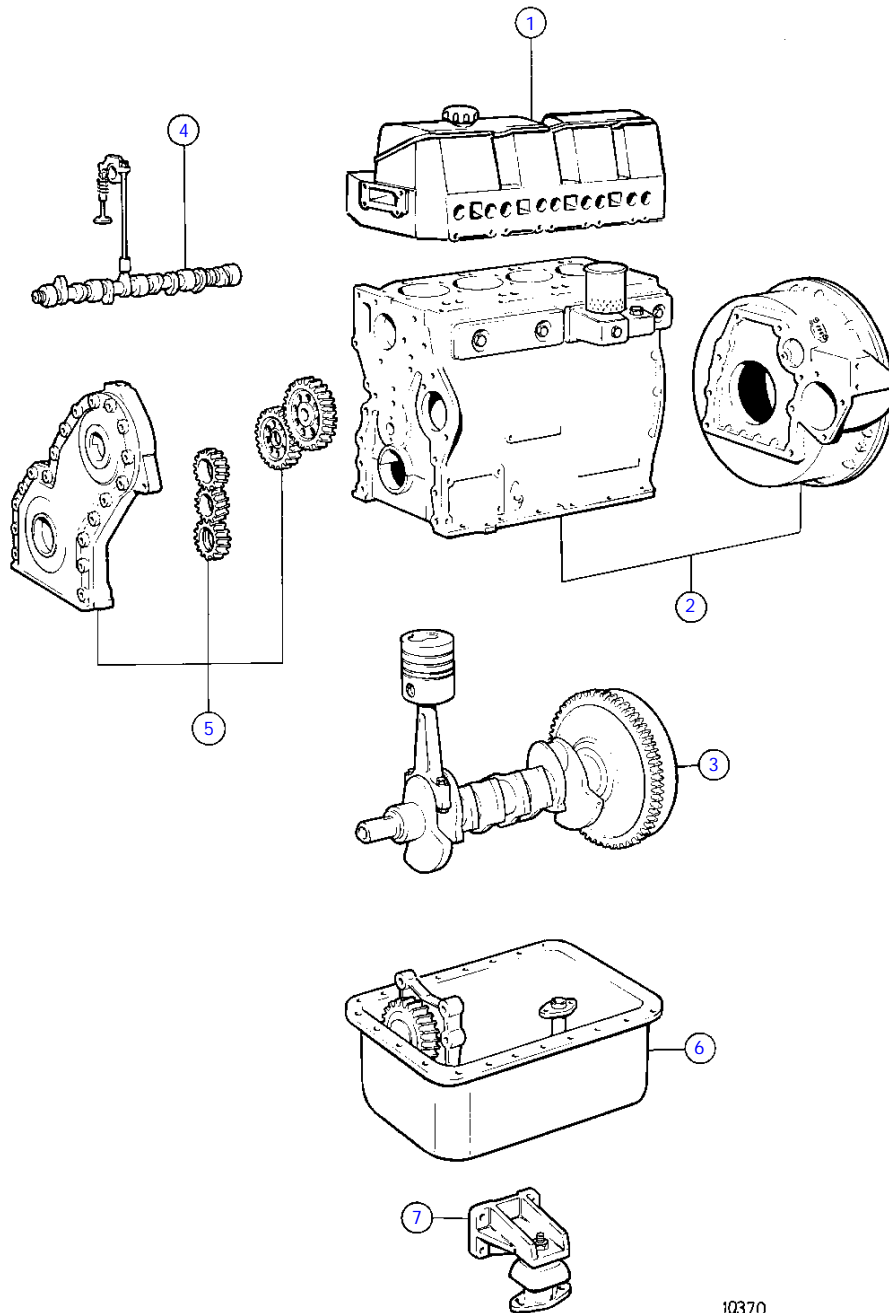


10370



REF	QTY	DESCRIPTION	SEE SEC.
1	1	CYLINDER HEAD	19101
2	1	CYLINDER BLOCK AND FLYWHEEL HOUSING	19106
3	1	CRANKSHAFT AND RELATED PARTS	19109
4	1	CAMSHAFT AND VALVE MECHANISM	19112
5	1	TIMING GEAR HOUSING AND GEARS	19117
6	1	LUBRICATING SYSTEM	19120
7	1	ENGINE MOUNTS	19131

AQAD31A

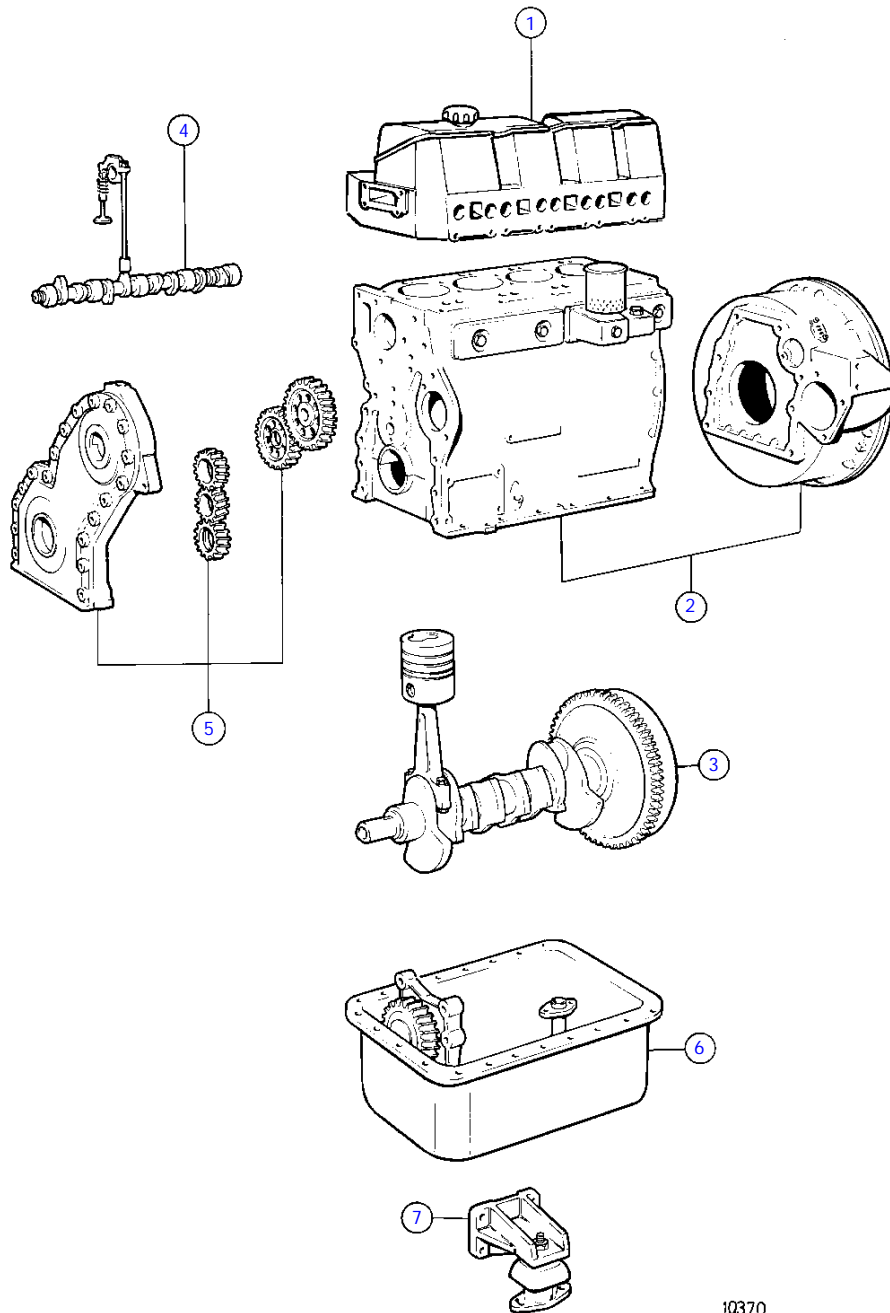


10370

AQAD31A

REF	QTY	DESCRIPTION	SEE SEC.
1	1	CYLINDER HEAD	19101
2	1	CYLINDER BLOCK AND FLYWHEEL COVER	19105
3	1	CRANKSHAFT AND RELATED PARTS	19108
4	1	CAMSHAFT AND VALVE MECHANISM	19113
5	1	TIMING GEAR COVER AND GEARS	19116
6	1	LUBRICATING SYSTEM	19121
7	1	ENGINE MOUNTS	19130

AD31A

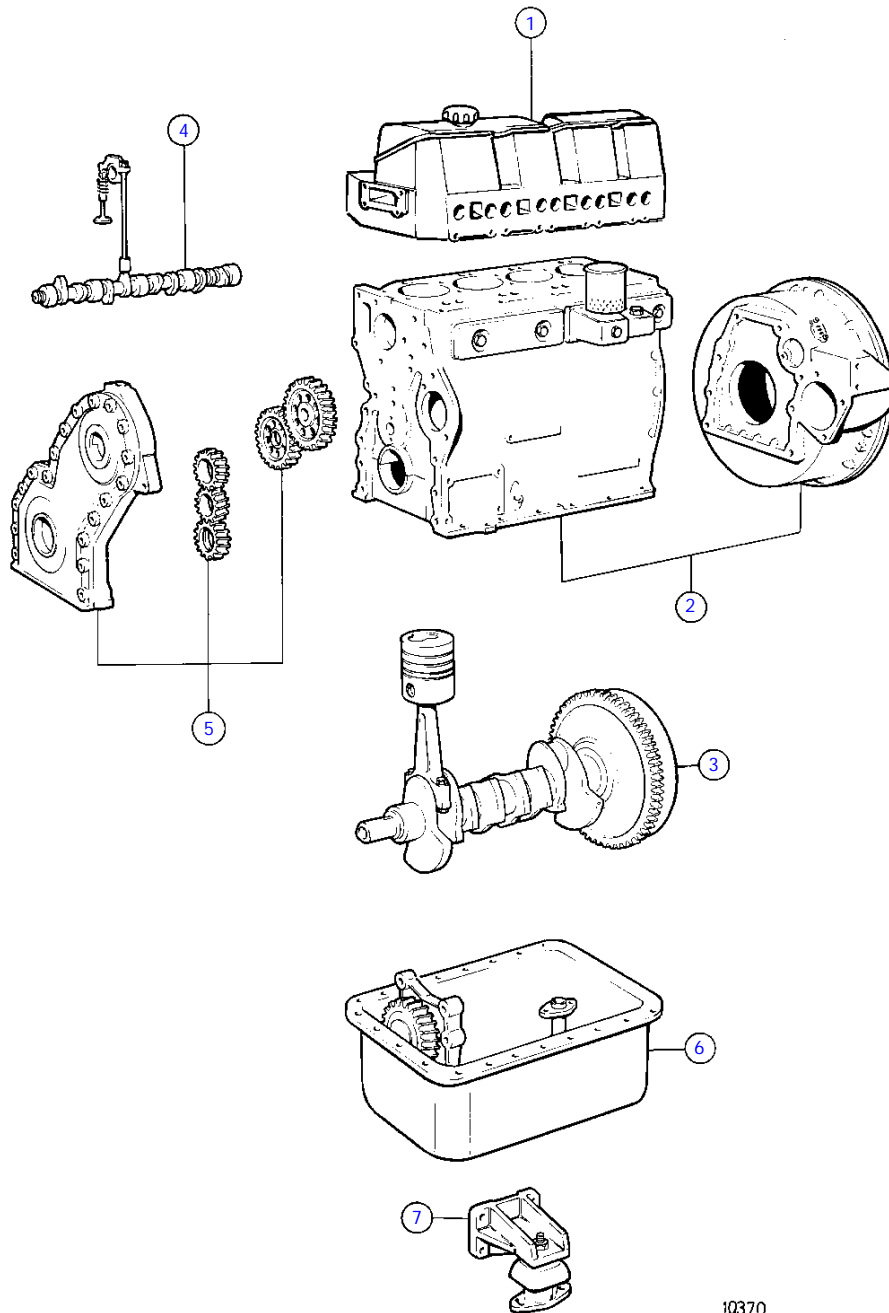


10370

AD31A

REF	QTY	DESCRIPTION	SEE SEC.
1	1	CYLINDER HEAD	19101
2	1	CYLINDER BLOCK AND FLYWHEEL COVER	19105
3	1	CRANKSHAFT AND RELATED PARTS	19108
4	1	CAMSHAFT AND VALVE MECHANISM	19113
5	1	TIMING GEAR COVER AND GEARS	19116
6	1	LUBRICATING SYSTEM	19121
7	1	ENGINE MOUNTS	19130

TMD31B

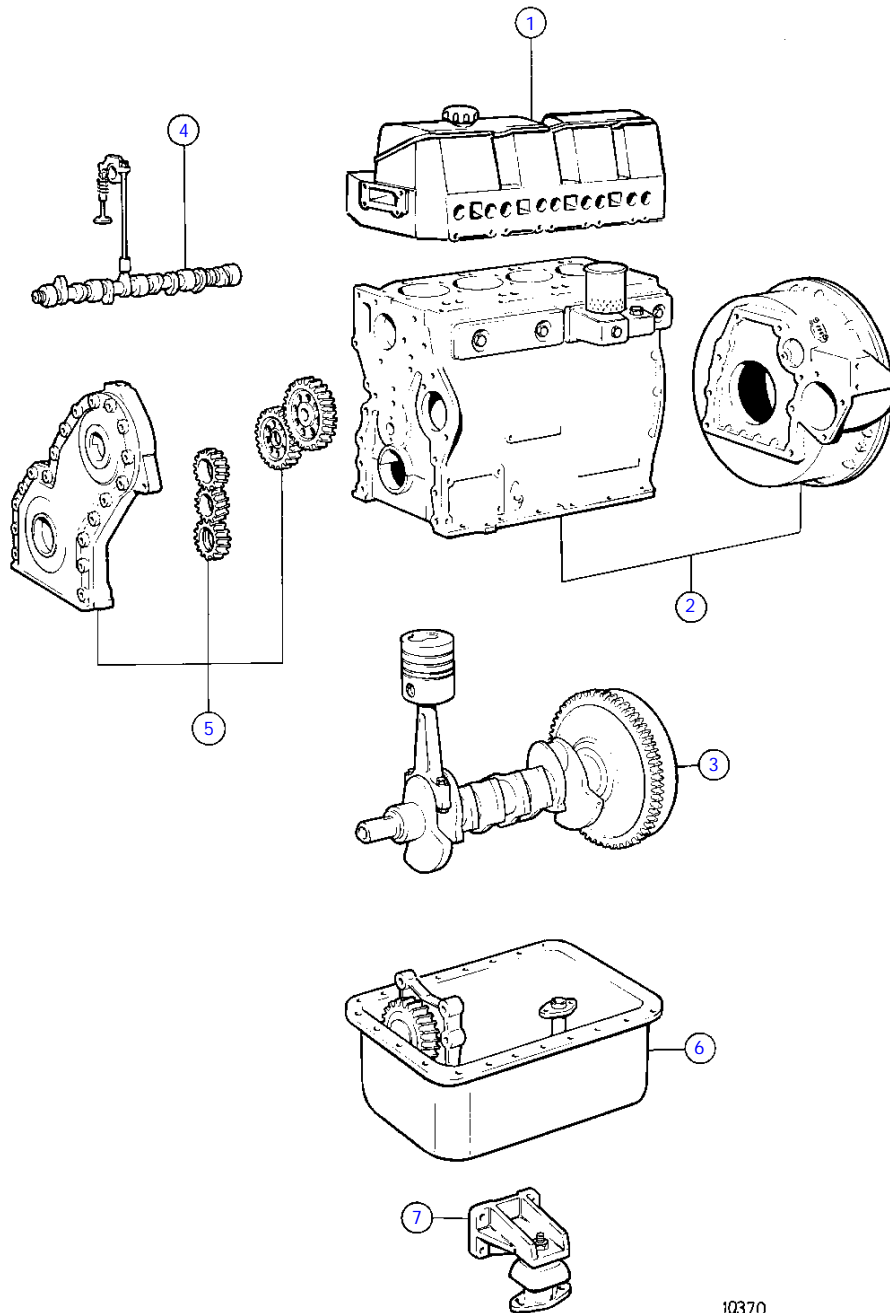


10370

TMD31B

REF	QTY	DESCRIPTION	SEE SEC.
1	1	CYLINDER HEAD	19102
2	1	CYLINDER BLOCK AND FLYWHEEL COVER	19104
3	1	CRANKSHAFT AND RELATED PARTS	19110
4	1	CAMSHAFT AND VALVEMECHANISM	19114
5	1	TIMING GEAR COVER AND GEARS	19118
6	1	LUBRICATING SYSTEM	19122
7	1	ENGINE MOUNTS	19129

TAMD31B

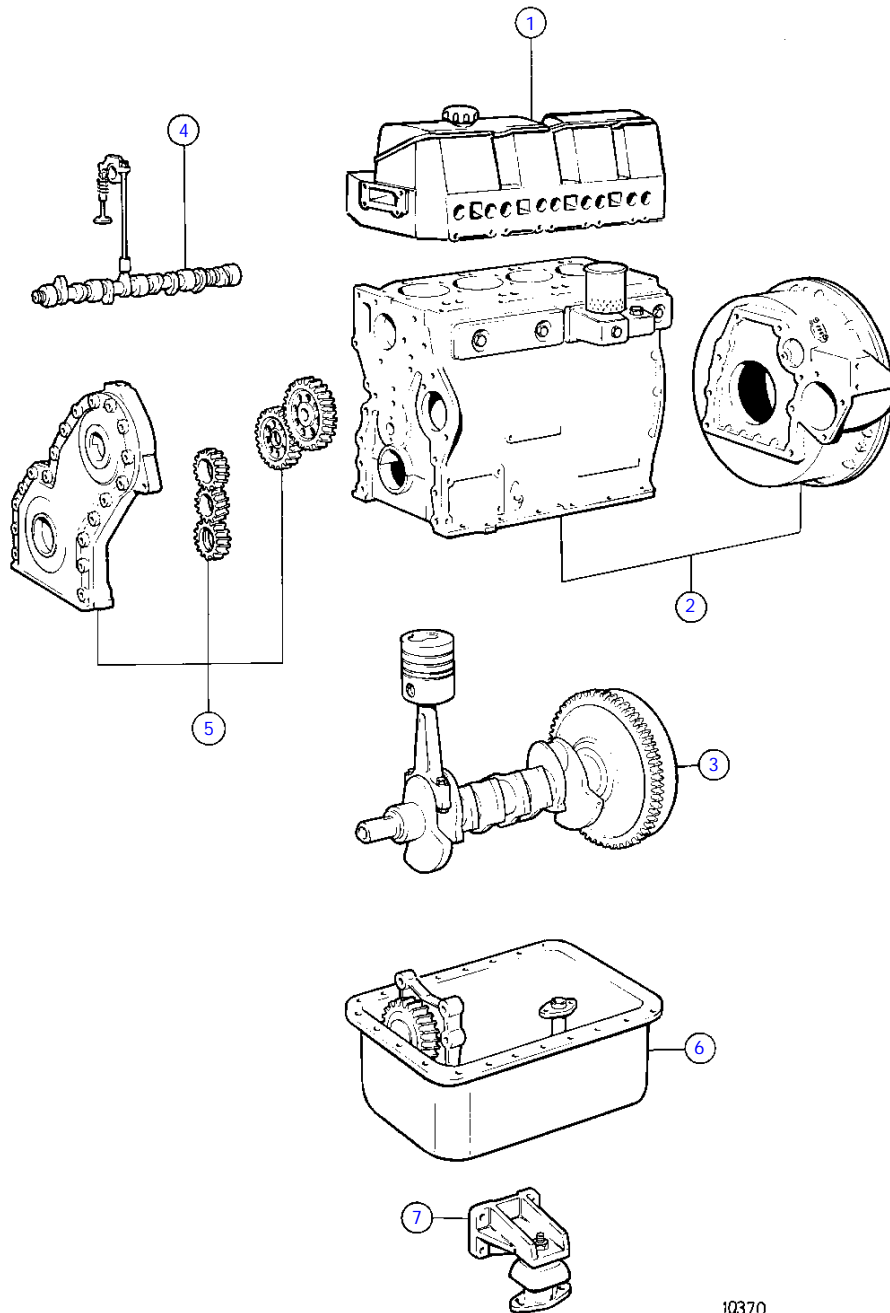


10370

TAMD31B

REF	QTY	DESCRIPTION	SEE SEC.
1	1	CYLINDER HEAD	19102
2	1	CYLINDER BLOCK AND FLYWHEEL COVER	19104
3	1	CRANKSHAFT AND RELATED PARTS	19110
4	1	CAMSHAFT AND VALVEMECHANISM	19114
5	1	TIMING GEAR COVER AND GEARS	19118
6	1	LUBRICATING SYSTEM	19122
7	1	ENGINE MOUNTS	19129

AD31B

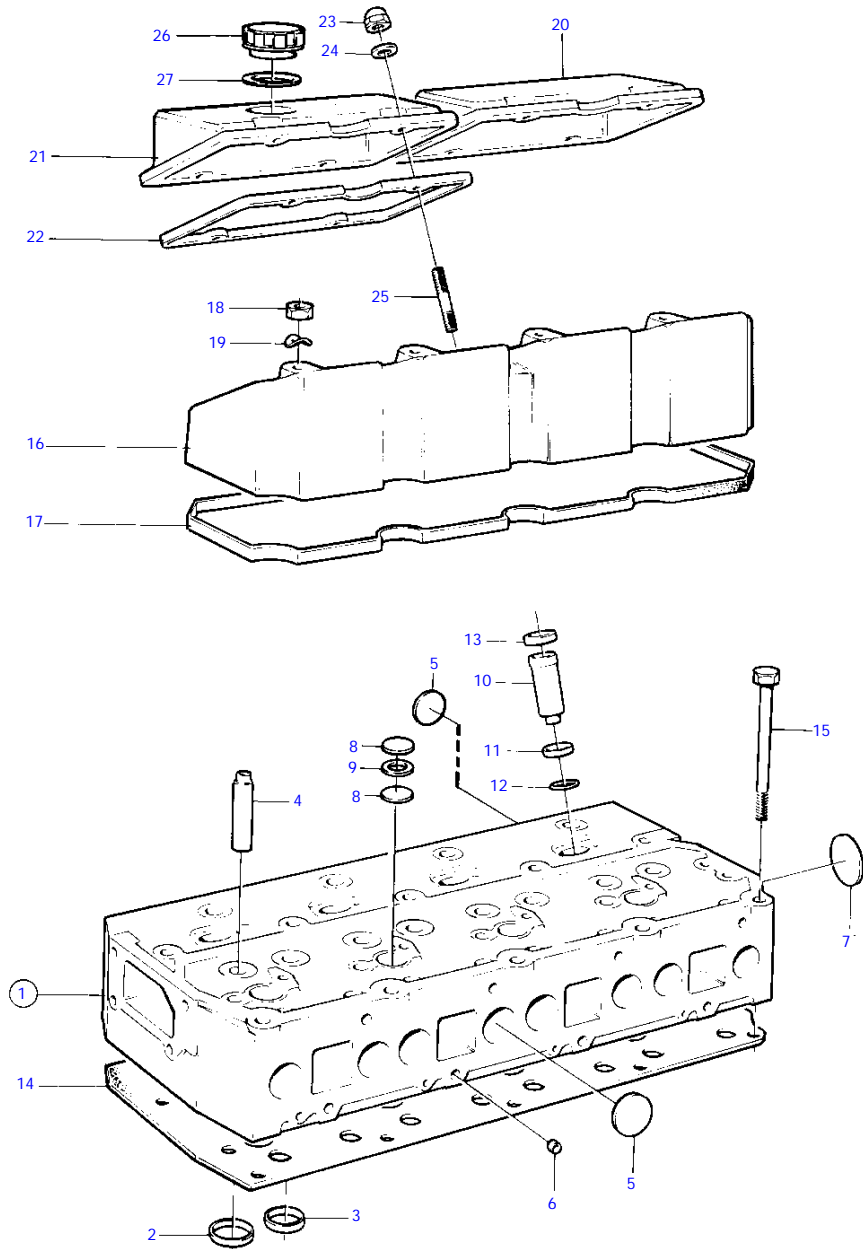


10370

AD31B

REF	QTY	DESCRIPTION	SEE SEC.
1	1	CYLINDER HEAD	19102
2			
	1	CYLINDER BLOCK AND FLYWHEEL COVER	19105
3	1	CRANKSHAFT AND RELATED PARTS	19110
4	1	CAMSHAFT AND VALVEMECHANISM	19114
5	1	TIMING GEAR COVER AND GEARS	19118
6	1	LUBRICATING SYSTEM	19122
7	1	ENGINE MOUNTS	19130

MD31A, TMD31A, TAM31A, AQAD31A, AD31A

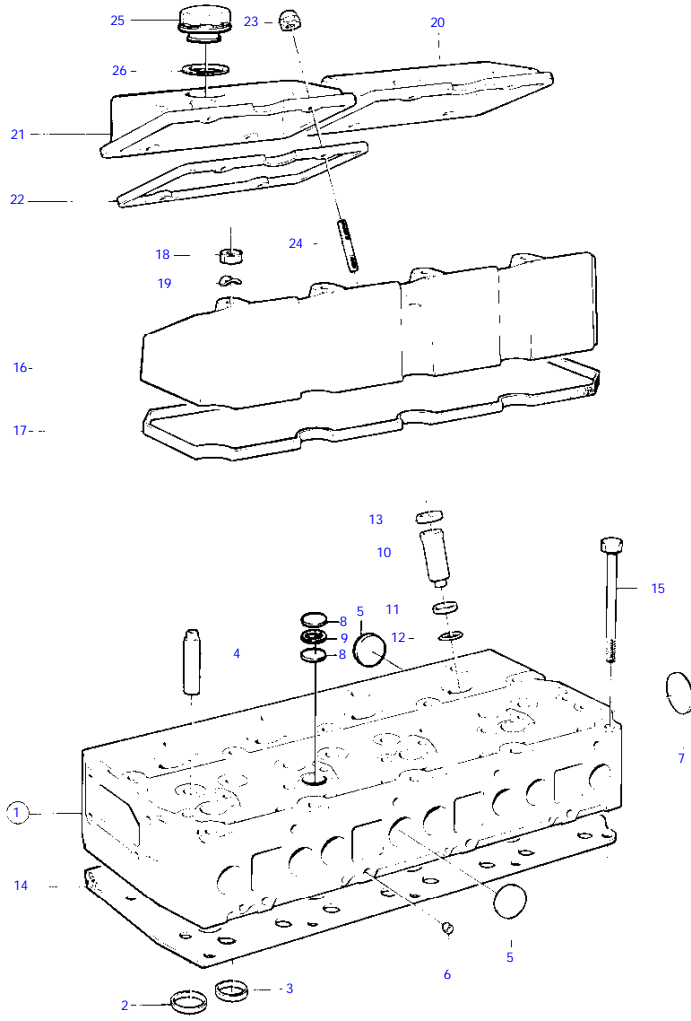


10145

MD31A, TMD31A, TAMD31A, AQAD31A, AD31A

REF	PART NO.	QTY	DESCRIPTION	NOTES
1	3803306	1	Cylinder head, exch	(838603)
2	858328	4	* Valve seat, EXHAUST	STD D
3	858331	4	* Valve seat, INLET	STD D
4	419653	8	* Valve guide	
5	477026	9	* Expansion plug	(192426)
6	967853	8	* Cap plug	
7	968955	1	* Expansion plug	(941256)
8	967948	8	* Expansion plug	
9	949329	4	* Gasket	
10	838609	4	* Spray sleeve	
11	838896	4	* Sealing ring	
12	838821	8	* O-ring	
13	838619	4	* Retainer	
14	858993	1	Gasket	
15	838775	19	Screw	
16	838648	1	Valve cover	
17	838652	1	Gasket	
18	945408	4	Flange nut	
19	941907	4	Spring washer	
20	838650	1	Valve cover	
21	838651	1	Valve cover	
22	838654	2	Gasket	
23	948685	8	Cap nut	EARLY TYPE
	968458	8	Flange cap nut	LATE TYPE
24	955892	8	Washer	EARLY TYPE
25	953034	8	Stud	
26	1378985	1	Filler cap	EARLY TYPE
	3547599	1	Oil filler cap	LATE TYPE
27	940096	1	Gasket	FOR 1378985

TMD31B, TAMD31B, AD31B



10219

CYLINDER HEAD

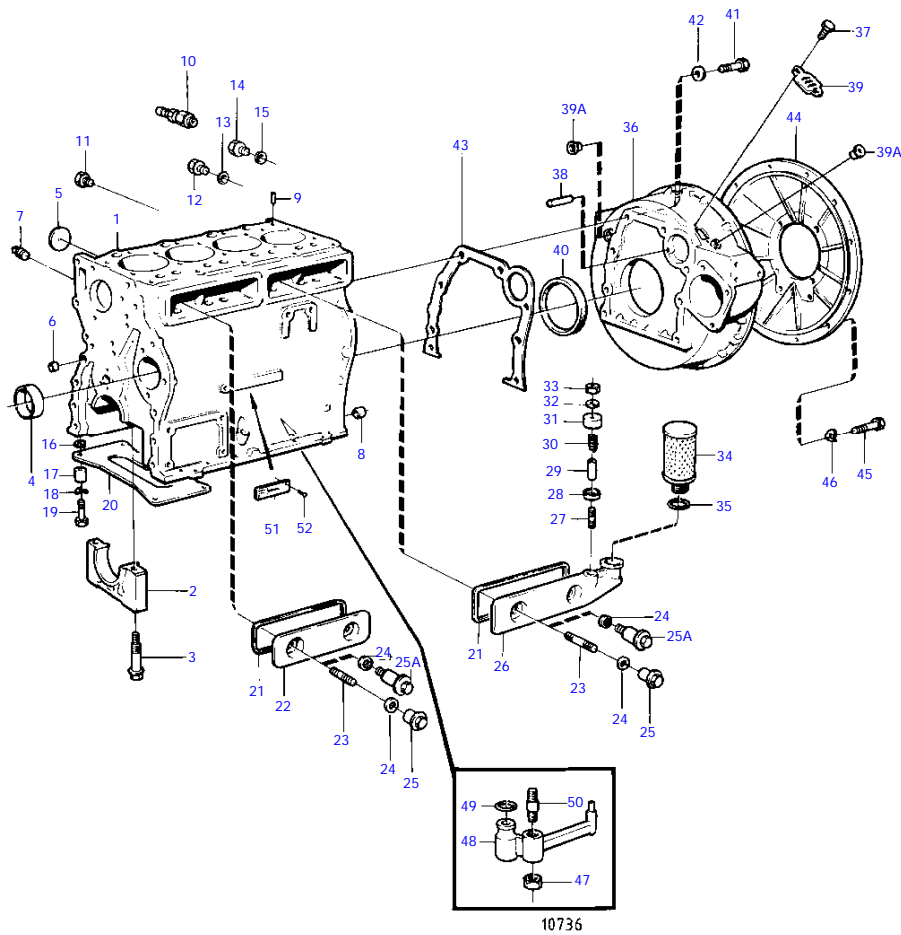
21

TMD31B, TAMD31B, AD31B

REF	PART NO.	QTY	DESCRIPTION	NOTES
1	3803306	1	Cylinder head, exch	(859889)
2	858331	4	* Valve seat, EXHAUST	STD D
3	860035	4	* Valve seat, INLET	STD D
4	419653	8	* Valve guide	
5	477026	9	* Expansion plug	
6	967853	8	* Cap plug	
7	968955	1	* Expansion plug	
8	967948	8	* Expansion plug	
9	949329	4	* Gasket	
10	838609	4	* Spray sleeve	
11	838896	4	* Sealing ring	
12	838821	8	* O-ring	
13	838619	4	* Retainer	
14	858993	1	Gasket	
15	838775	19	Screw	
16	838648	1	Valve cover	
17	838652	1	Gasket	
18	945408	4	Flange nut	
19	941907	4	Spring washer	
20	838650	1	Valve cover	
21	838651	1	Valve cover	
22	838654	2	Gasket	
23	968458	8	Flange cap nut	
24	953034	8	Stud	
25	1378985	1	Filler cap	EARLY TYPE
	3547599	1	Oil filler cap	LATE TYPE
26	940096	1	Gasket	FOR 1378985



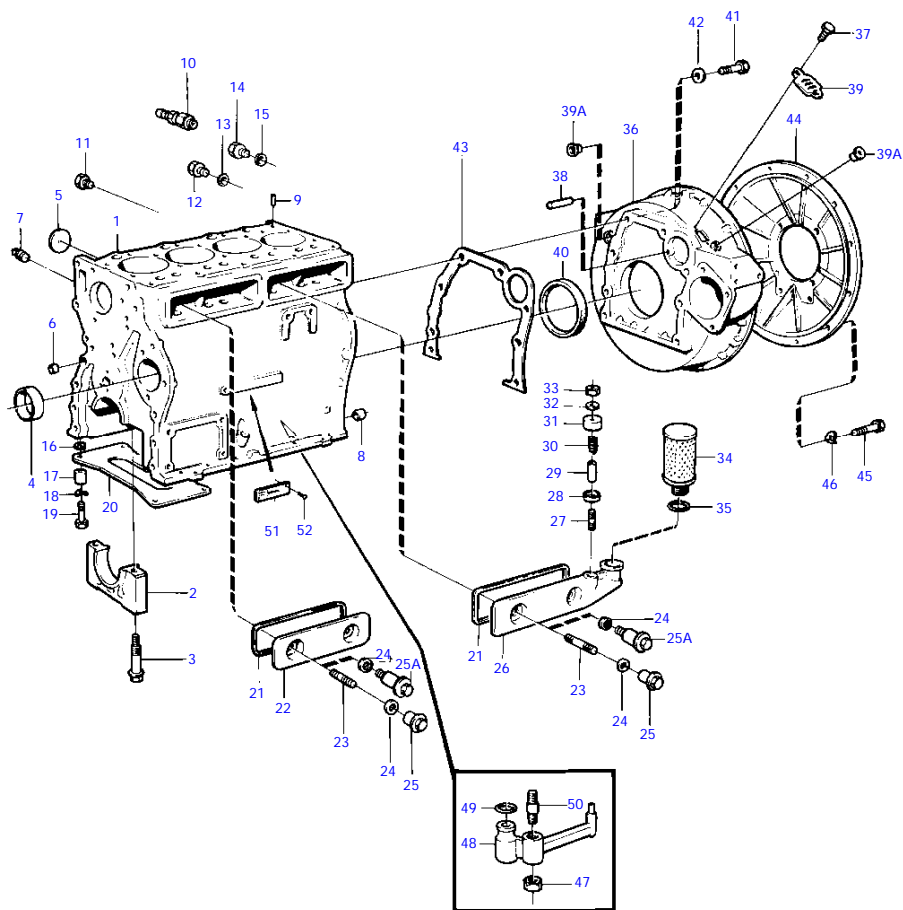
MD31A



MD31A

REF	PART NO.	QTY	DESCRIPTION	SEE SEC.	NOTES
1	838620	1	Cylinder block		REPL BY 860257
	860257	1	Cylinder block		
2		5	* BEARING CAP	19107	
3	1542416	10	* Screw		
4	1542067	5	* Camshaft bushing	19111	
5	463905	2	* Expansion plug		
6	955083	4	* Cap plug		
7	952077	2	Plug		
8	415311	3	Guide sleeve		
9	946402	2	Grooved pin		
10	947893	1	Shut-off cock		
11	191026	2	Plug		
12	960634	1	Plug		
13	947627	1	Gasket		
14	960630	1	Plug		
15	969011	1	Gasket		(18671)
16	1545204	4	Spacer sleeve		
17	1545160	4	Spacer sleeve		
18	941908	4	Spring washer		
19	965187	4	Flange screw		
20		1	BRACKET		
21	1542052	2	Sealing		
22	1542050	1	Inspection lid		
23	924075	4	Stud		EARLY TYPE
24	469846	4	Sealing ring		
25	1542286	4	Cap nut		EARLY TYPE
25A	859447	4	Shoulder screw		LATE TYPE
26	838763	1	Crankcase ventilatio		
27	924058	1	Stud		
28	842972	1	Valve disc		
29	842974	1	Spacer sleeve		
30	843905	1	Spring		
31	842975	1	Protecting casing		
32	858570	1	Sealing		
33	949278	1	Flange lock nut		
34	875850	1	Filter		REPL BY 876069
	876069	1	Filter		
35	843449	1	* Gasket		
36	860291	1	Flywheel housing		(838851) REPL BY 860690
	860690	1	Flywheel housing		
37	965175	2	* Flange screw		
38	404069	1	* Pin		
39	407092	1	* Cover		
39A	860926	2	* Plug		
40	860431	1	Sealing ring		
41	965185	6	Flange screw		L = 40 MM
	965220	2	Flange screw		L = 45 MM
42	941908	8	Spring washer		
43	829487	1	Gasket		
44	846761	1	Flywheel housing		PRODUCT NO.867959,868159
45	946752	11	Flange screw		
46	941908	11	Spring washer		
51		1	ENGINE SIGN		
52	950885	2	Drive screw		

TMD31A

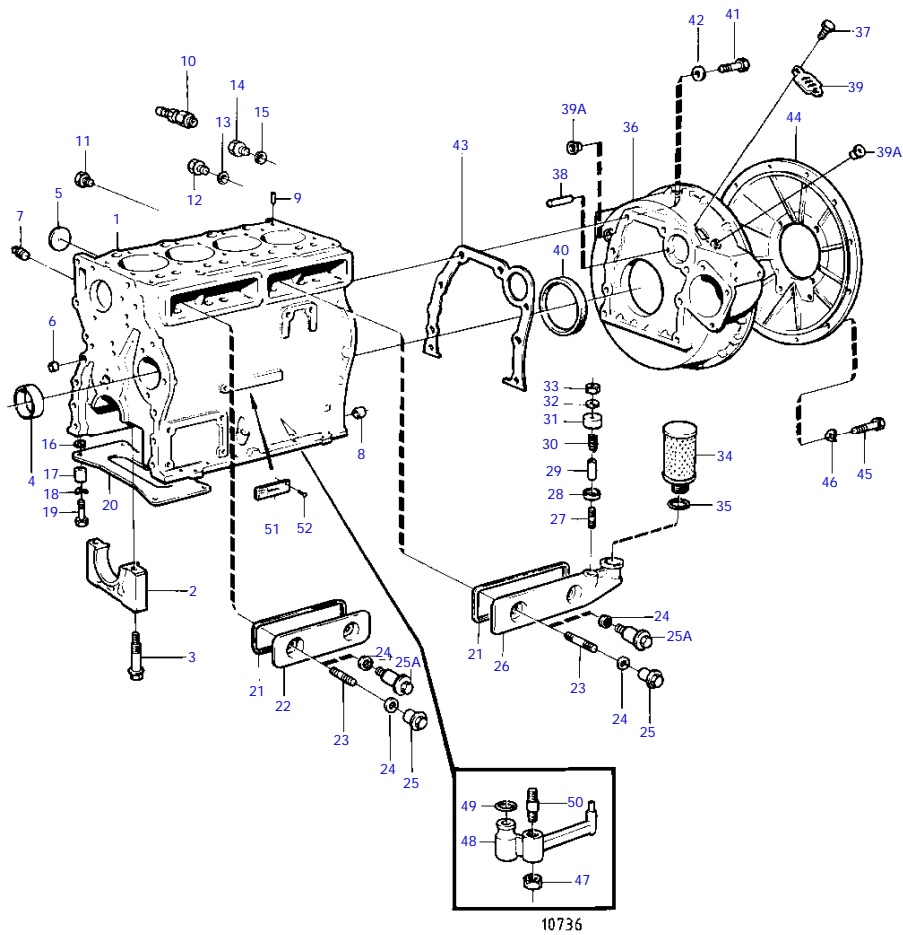


10736

TMD31A

REF	PART NO.	QTY	DESCRIPTION	SEE SEC.	NOTES
1	838620	1	Cylinder block		REPL BY 860257
	860257	1	Cylinder block		
2		5	* BEARING CAP	19107	
3	1542416	10	* Screw		
4	1542067	5	* Camshaft bushing	19111	
5	463905	2	* Expansion plug		
6	955083	4	* Cap plug		
7	952077	2	Plug		
8	415311	3	Guide sleeve		
9	946402	2	Grooved pin		
10	947893	1	Shut-off cock		
11	191026	2	Plug		
16	1545204	4	Spacer sleeve		
17	1545160	4	Spacer sleeve		
18	941908	4	Spring washer		
19	965187	4	Flange screw		
20		1	BRACKET		
21	1542052	2	Sealing		
22	1542050	1	Inspection lid		
23	924075	4	Stud		EARLY TYPE
24	469846	4	Sealing ring		
25	1542286	4	Cap nut		EARLY TYPE
25A	859447	4	Shoulder screw		LATE TYPE
26	838763	1	Crankcase ventilatio		
27	924058	1	Stud		
28	842972	1	Valve disc		
29	842974	1	Spacer sleeve		
30	843905	1	Spring		
31	842975	1	Protecting casing		
32	858570	1	Sealing		
33	949278	1	Flange lock nut		
34	875850	1	Filter		REPL BY 876069
	876069	1	Filter		
35	843449	1	* Gasket		
36	860291	1	Flywheel housing		(838851) REPL BY 860690
	860690	1	Flywheel housing		
37	965175	2	* Flange screw		
38	404069	1	* Pin		
39	407092	1	* Cover		
39A	860926	2	* Plug		
40	860431	1	Sealing ring		
41	965185	6	Flange screw		L = 40 MM
	965220	2	Flange screw		L = 45 MM
42	941908	8	Spring washer		
43	829487	1	Gasket		
44	829489	1	Cardboard tube		PRODUCT NO.867962,867963
45	946752	11	Flange screw		
46	941908	11	Spring washer		
47	946035	4	Lock nut		
48	1542320	4	Oil jet		
49	955981	4	O-ring		
50	1542380	4	Stud		
51		1	ENGINE SIGN		
52	950885	2	Drive screw		

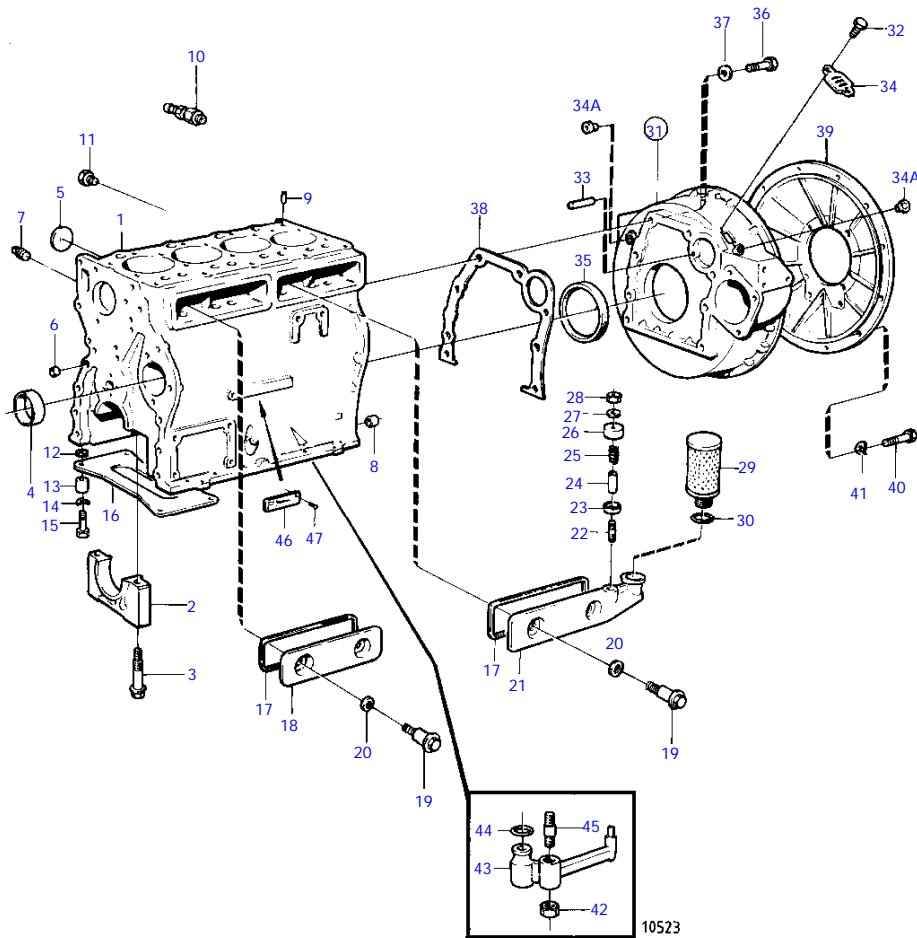
TAMD31A



TAMD31A

REF	PART NO.	QTY	DESCRIPTION	SEE SEC.	NOTES
1	838620	1	Cylinder block		REPL BY 860257
	860257	1	Cylinder block		
2		5	* BEARING CAP	19107	
3	1542416	10	* Screw		
4	1542067	5	* Camshaft bushing	19111	
5	463905	2	* Expansion plug		
6	955083	4	* Cap plug		
7	952077	2	Plug		
8	415311	3	Guide sleeve		
9	946402	2	Grooved pin		
10	947893	1	Shut-off cock		
11	191026	2	Plug		
16	1545204	4	Spacer sleeve		
17	1545160	4	Spacer sleeve		
18	941908	4	Spring washer		
19	965187	4	Flange screw		
20		1	BRACKET		
21	1542052	2	Sealing		
22	1542050	1	Inspection lid		
23	924075	4	Stud		EARLY TYPE
24	469846	4	Sealing ring		
25	1542286	4	Cap nut		EARLY TYPE
25A	859447	4	Shoulder screw		LATE TYPE
26	838763	1	Crankcase ventilatio		
27	924058	1	Stud		
28	842972	1	Valve disc		
29	842974	1	Spacer sleeve		
30	843905	1	Spring		
31	842975	1	Protecting casing		
32	858570	1	Sealing		
33	949278	1	Flange lock nut		
34	875850	1	Filter		REPL BY 876069
	876069	1	Filter		
35	843449	1	* Gasket		
36	860291	1	Flywheel housing		(838851) REPL BY 860690
	860690	1	Flywheel housing		
37	965175	2	* Flange screw		
38	404069	1	* Pin		
39	407092	1	* Cover		
39A	860926	2	* Plug		
40	860431	1	Sealing ring		
41	965185	6	Flange screw		L = 40 MM
	965220	2	Flange screw		L = 45 MM
42	941908	8	Spring washer		
43	829487	1	Gasket		
44	829489	1	Cardboard tube		PRODUCT NO.867965,867966
45	946752	11	Flange screw		
46	941908	11	Spring washer		
47	946035	4	Lock nut		
48	1542320	4	Oil jet		
49	955981	4	O-ring		
50	1542380	4	Stud		
51		1	ENGINE SIGN		
52	950885	2	Drive screw		

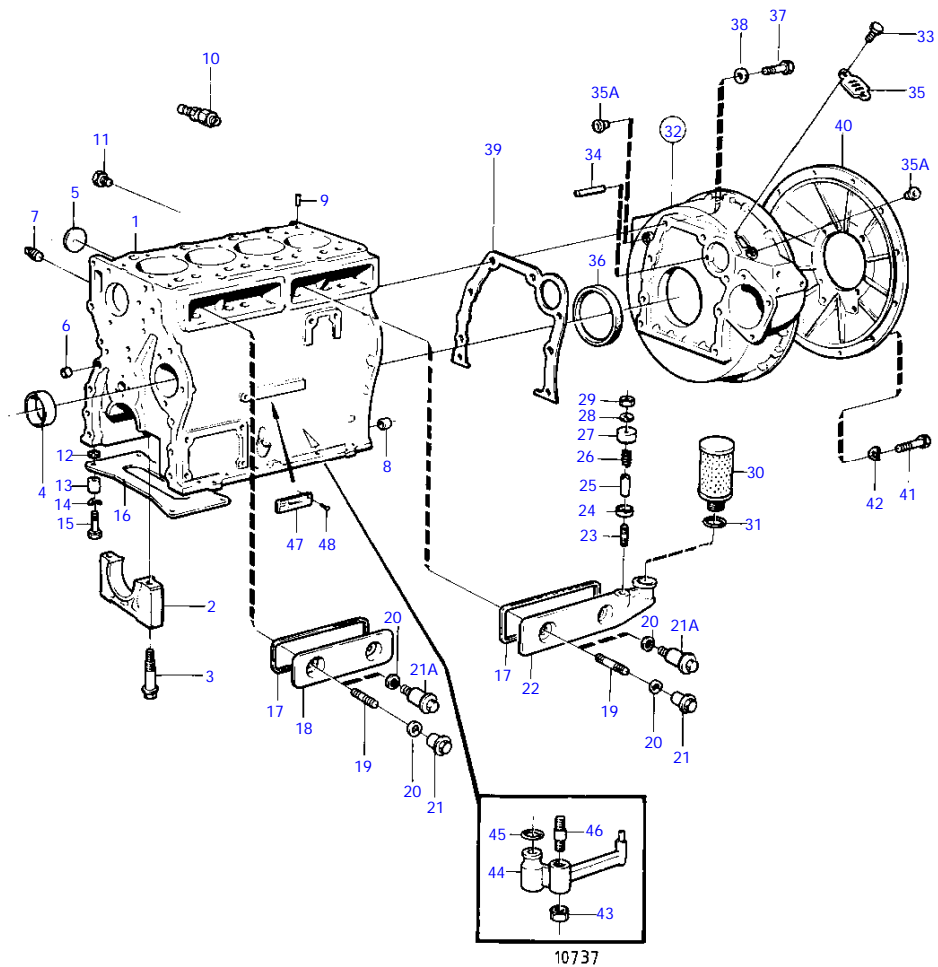
TMD31B, TAMD31B



TMD31B, TAMD31B

REF	PART NO.	QTY	DESCRIPTION	SEE SEC.	NOTES
1	860257	1	Cylinder block		
2		5	* BEARING CAP	19110	
3	1542416	10	* Screw		
4	1542067	5	* Camshaft bushing	19114	
5	463905	2	* Expansion plug		
6	955083	4	* Cap plug		
7	952077	2	Plug		
8	415311	3	Guide sleeve		
9	946402	2	Grooved pin		
10	947893	1	Shut-off cock		
11	191026	2	Plug		
12	1545204	4	Spacer sleeve		
13	1545160	4	Spacer sleeve		
14	941908	4	Spring washer		
15	965187	4	Flange screw		
16		1	BRACKET		
17	1542052	2	Sealing		
18	1542050	1	Inspection lid		
19	859447	4	Shoulder screw		
20	469846	4	Sealing ring		
21	838763	1	Crankcase ventilatio		
22	924058	1	Stud		
23	842972	1	Valve disc		
24	842974	1	Spacer sleeve		
25	843905	1	Spring		
26	842975	1	Protecting casing		
27	858570	1	Sealing		
28	949278	1	Flange lock nut		
29	876069	1	Filter		
30	843449	1	* Gasket		
31	860291	1	Flywheel housing		REPL BY 860690
	860690	1	Flywheel housing		
32	965175	2	* Flange screw		
33	404069	1	* Pin		
34	407092	1	* Cover		
34A	860926	2	* Plug		
35	860431	1	Sealing ring		
36	965185	6	Flange screw		L = 40 MM
	965220	2	Flange screw		L = 45 MM
37	941908	8	Spring washer		
38	829487	1	Gasket		
39	829489	1	Cardboard tube		
40	946752	11	Flange screw		
41	941908	11	Spring washer		
42	946035	4	Lock nut		
43	1542320	4	Oil jet		
44	955981	4	O-ring		
45	1542380	4	Stud		
46		1	ENGINE SIGN		
47	950885	2	Drive screw		

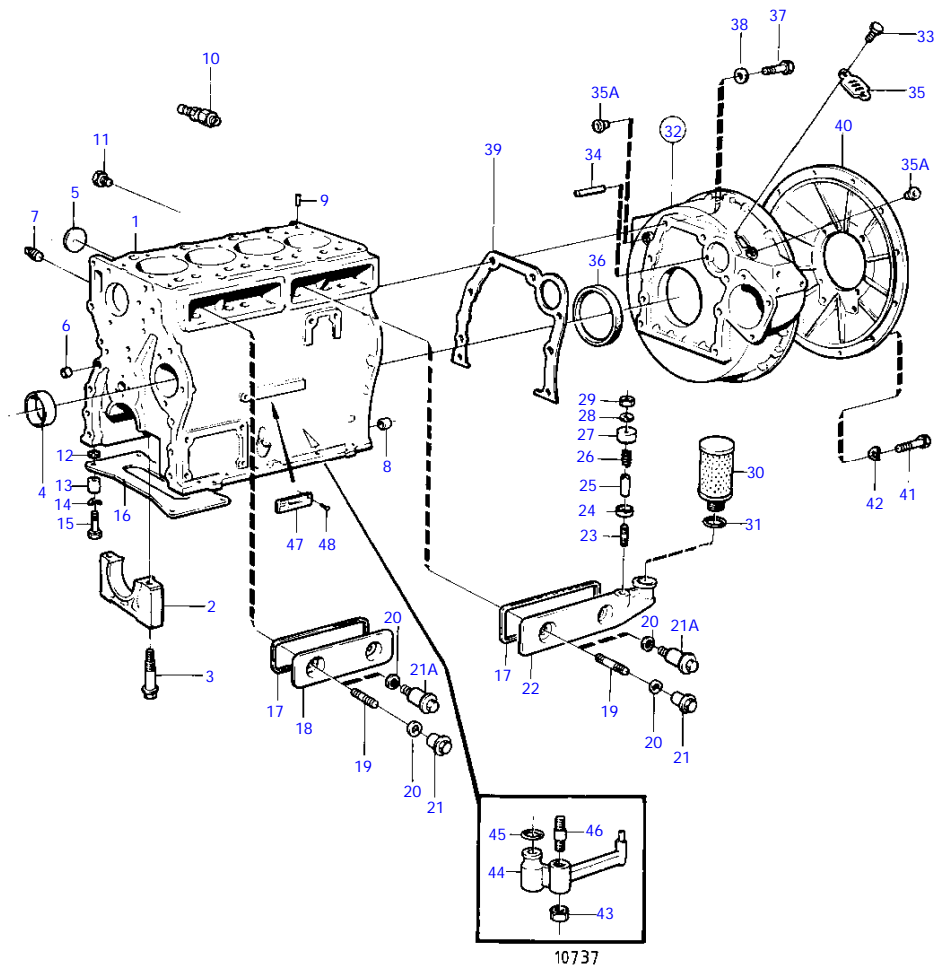
AQAD31A



AQAD31A

REF	PART NO.	QTY	DESCRIPTION	SEE SEC.	NOTES
1	838620	1	Cylinder block		REPL BY 860257
	860257	1	Cylinder block		
2		5	* BEARING CAP	19108	
3	1542416	10	* Screw		
4	1542067	5	* Camshaft bushing	19113	
5	463905	2	* Expansion plug		
6	955083	4	* Cap plug		
7	952077	2	Plug		
8	415311	3	Guide sleeve		
9	946402	2	Grooved pin		
10	947893	1	Shut-off cock		
11	191026	2	Plug		
12	1545204	4	Spacer sleeve		
13	1545160	4	Spacer sleeve		
14	941908	4	Spring washer		
15	965187	4	Flange screw		
16		1	BRACKET		
17	1542052	2	Sealing		
18	1542050	1	Inspection lid		
19	924075	4	Stud		EARLY TYPE
20	469846	4	Sealing ring		
21	1542286	4	Cap nut		EARLY TYPE
21A	859447	4	Shoulder screw		LATE TYPE
22	838763	1	Crankcase ventilatio		
23	924058	1	Stud		
24	842972	1	Valve disc		
25	842974	1	Spacer sleeve		
26	843905	1	Spring		
27	842975	1	Protecting casing		
28	858570	1	Sealing		
29	949278	1	Flange lock nut		
30	875850	1	Filter		REPL BY 876069
	876069	1	Filter		
31	843449	1	* Gasket		
32	860291	1	Flywheel housing		(838851) REPL BY 860690
	860690	1	Flywheel housing		
33	965175	2	* Flange screw		
34	404069	1	* Pin		
35	407092	1	* Cover		
35A	860926	2	* Plug		
36	860431	1	Sealing ring		
37	965185	6	Flange screw		L = 40 MM
	965220	2	Flange screw		L = 45 MM
38	941908	8	Spring washer		
39	829487	1	Gasket		
40	844519	1	Flywheel housing		
41	946752	11	Flange screw		
42	941908	11	Spring washer		
43	946035	4	Lock nut		
44	1542320	4	Oil jet		SEE GROUP 4A
45	955981	4	O-ring		
46	1542380	4	Stud		
47		1	ENGINE SIGN		
48	950885	2	Drive screw		

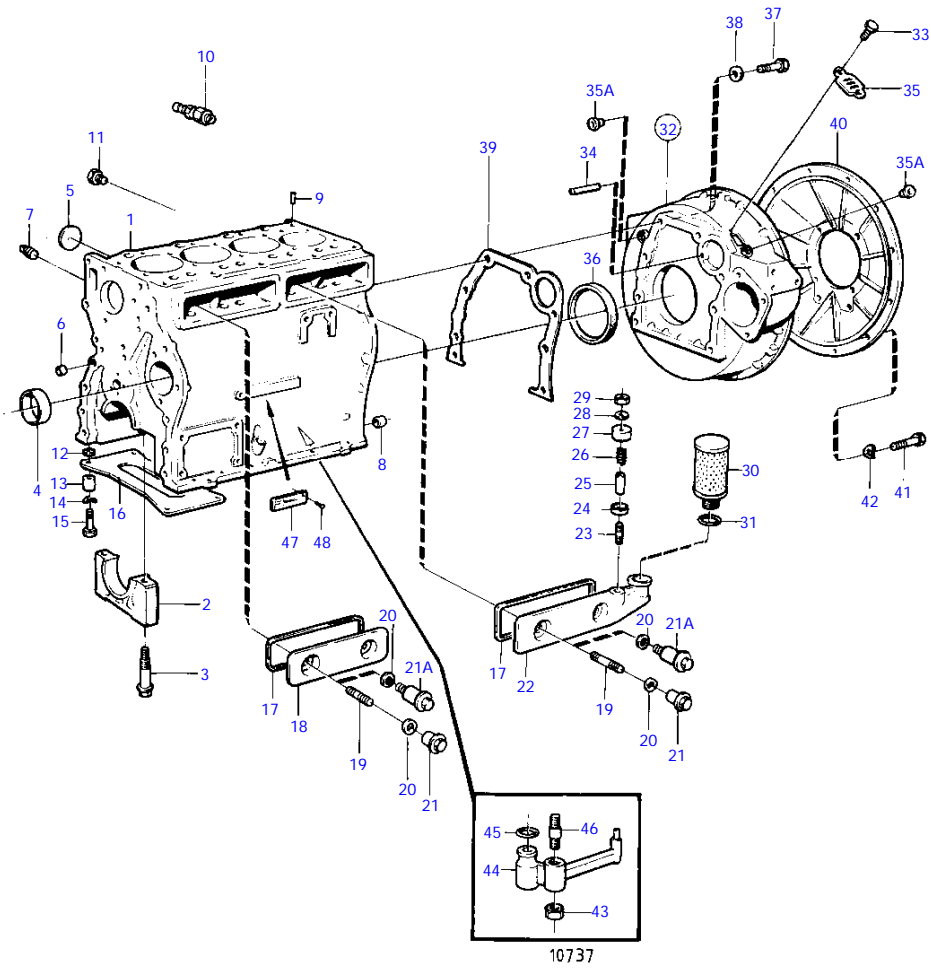
AD31A



AD31A

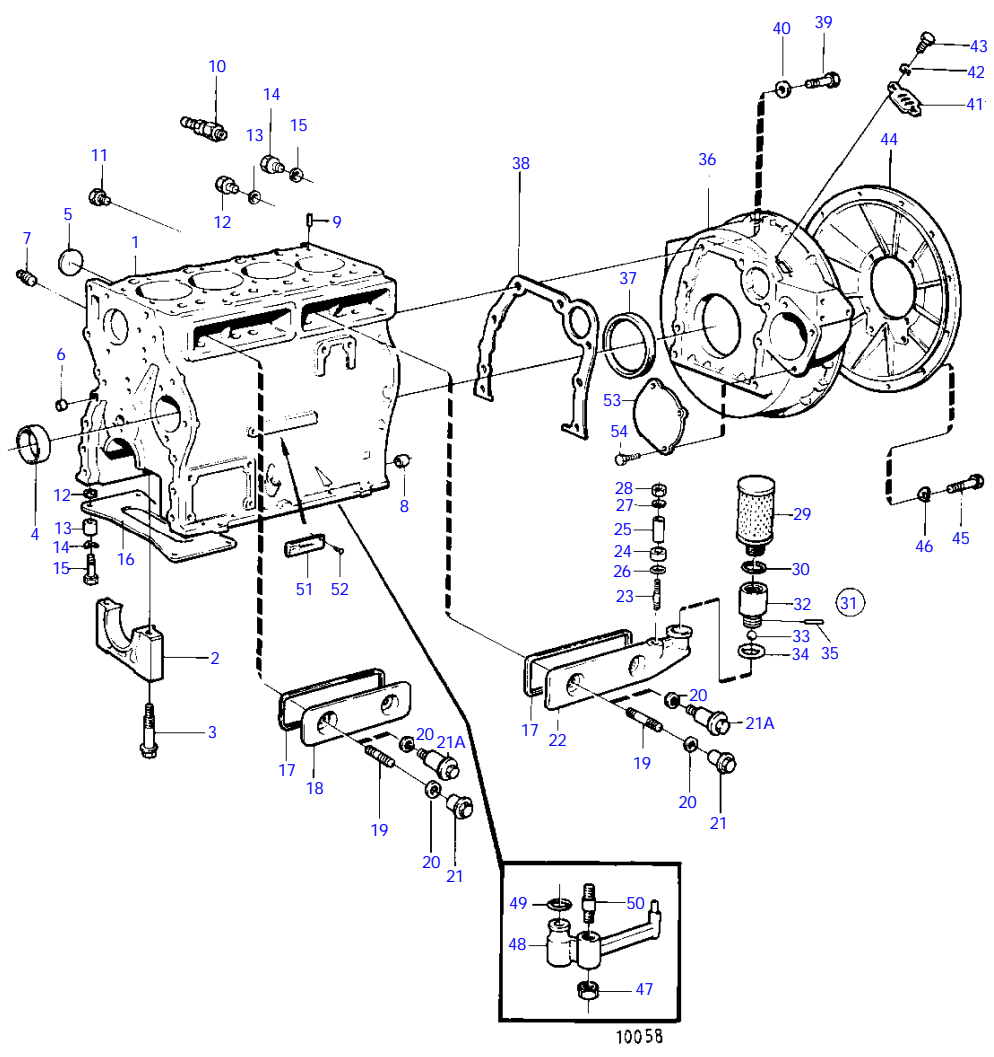
REF	PART NO.	QTY	DESCRIPTION	SEE SEC.	NOTES
1	838620	1	Cylinder block		REPL BY 860257
	860257	1	Cylinder block		
2		5	* BEARING CAP	19108	
3	1542416	10	* Screw		
4	1542067	5	* Camshaft bushing	19113	
5	463905	2	* Expansion plug		
6	955083	4	* Cap plug		
7	952077	2	Plug		
8	415311	3	Guide sleeve		
9	946402	2	Grooved pin		
10	947893	1	Shut-off cock		
11	191026	2	Plug		
12	1545204	4	Spacer sleeve		
13	1545160	4	Spacer sleeve		
14	941908	4	Spring washer		
15	965187	4	Flange screw		
16		1	BRACKET		
17	1542052	2	Sealing		
18	1542050	1	Inspection lid		
19	924075	4	Stud		EARLY TYPE
20	469846	4	Sealing ring		
21	1542286	4	Cap nut		EARLY TYPE
21A	859447	4	Shoulder screw		LATE TYPE
22	838763	1	Crankcase ventilatio		
23	924058	1	Stud		
24	842972	1	Valve disc		
25	842974	1	Spacer sleeve		
26	843905	1	Spring		
27	842975	1	Protecting casing		
28	858570	1	Sealing		
29	949278	1	Flange lock nut		
30	875850	1	Filter		REPL BY 876069
	876069	1	Filter		
31	843449	1	* Gasket		
32	860291	1	Flywheel housing		(838851) REPL BY 860690
	860690	1	Flywheel housing		
33	965175	2	* Flange screw		
34	404069	1	* Pin		
35	407092	1	* Cover		
35A	860926	2	* Plug		
36	860431	1	Sealing ring		
37	965185	6	Flange screw		L = 40 MM
	965220	2	Flange screw		L = 45 MM
38	941908	8	Spring washer		
39	829487	1	Gasket		
40	844519	1	Flywheel housing		
41	946752	11	Flange screw		
43	946035	4	Lock nut		
44	1542320	4	Oil jet		SEE GROUP 4A
45	955981	4	O-ring		
46	1542380	4	Stud		
47		1	ENGINE SIGN		
48	950885	2	Drive screw		

AD31B



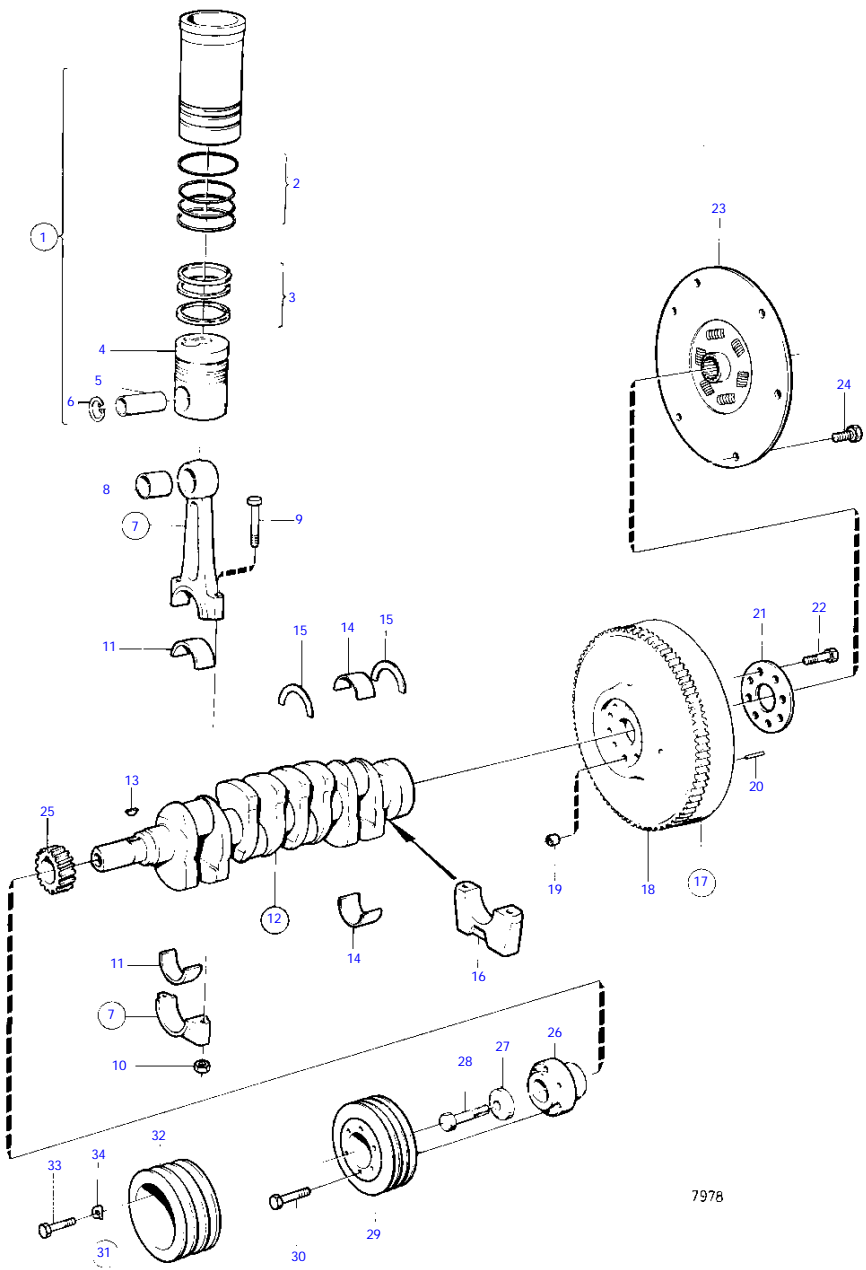
AD31B

REF	PART NO.	QTY	DESCRIPTION	SEE SEC.	NOTES
1	860257	1	Cylinder block		
2		5	* BEARING CAP	19110	
3	1542416	10	* Screw		
4	1542067	5	* Camshaft bushing	19114	
5	463905	2	* Expansion plug		
6	955083	4	* Cap plug		
7	952077	2	Plug		
8	415311	3	Guide sleeve		
9	946402	2	Grooved pin		
10	947893	1	Shut-off cock		
11	191026	2	Plug		
12	1545204	4	Spacer sleeve		
13	1545160	4	Spacer sleeve		
14	941908	4	Spring washer		
15	965187	4	Flange screw		
16		1	BRACKET		
17	1542052	2	Sealing		
18	1542050	1	Inspection lid		
20	469846	4	Sealing ring		
21A	859447	4	Shoulder screw		LATE TYPE
22	838763	1	Crankcase ventilatio		
23	924058	1	Stud		
24	842972	1	Valve disc		
25	842974	1	Spacer sleeve		
26	843905	1	Spring		
27	842975	1	Protecting casing		
28	858570	1	Sealing		
29	949278	1	Flange lock nut		
30	876069	1	Filter		
31	843449	1	* Gasket		
32	860291	1	Flywheel housing		(838851) REPL BY 860690
	860690	1	Flywheel housing		
33	965175	2	* Flange screw		
34	404069	1	* Pin		
35	407092	1	* Cover		
35A	860926	2	* Plug		
36	860431	1	Sealing ring		
37	965185	6	Flange screw		L = 40 MM
	965220	2	Flange screw		L = 45 MM
38	941908	8	Spring washer		
39	829487	1	Gasket		
40	844519	1	Flywheel housing		
41	946752	11	Flange screw		
43	946035	4	Lock nut		
44	1542320	4	Oil jet		SEE GROUP 4A
45	955981	4	O-ring		
46	1542380	4	Stud		
47		1	ENGINE SIGN		
48	950885	2	Drive screw		



REF	PART NO.	QTY	DESCRIPTION	SEE SEC.	NOTES
1	838620	1	Cylinder block		
	860257	1	Cylinder block		
2		5	* BEARING CAP	19109	
3	1542416	10	* Screw		
4	1542067	5	* Camshaft bushing	19112	
5	463905	2	* Expansion plug		
6	955083	4	* Cap plug		
7	952077	2	Plug		
8	415311	3	Guide sleeve		
9	946402	2	Grooved pin		
10	947893	1	Shut-off cock		
11	191026	2	Plug		
12	1545204	4	Spacer sleeve		
13	1545160	4	Spacer sleeve		
14	941908	4	Spring washer		
15	965187	4	Flange screw		
16		1	BRACKET		
17	1542052	2	Sealing		
18	1542050	1	Inspection lid		
19	924075	4	Stud		EARLY TYPE
20	469846	4	Sealing ring		
21	1542286	4	Cap nut		EARLY TYPE
21A	859447	4	Shoulder screw		LATE TYPE
22	838763	1	Crankcase ventilatio		
23	924058	1	Stud		
24	842972	1	Valve disc		
25	834678	1	Spacer sleeve		
26	858570	1	Sealing		
27	960139	1	Washer		
28	949278	1	Flange lock nut		
29	843736	1	Filter		REPL BY 876069
	876069	1	Filter		
30	843449	1	* Gasket		
31	858256	1	Check valve		
32	858235	1	* Check valve		
33	181501	1	* Ball		
34	843449	1	* Gasket		
35	951971	1	* Spring pin		
36	858164	1	Flywheel housing		
37	860431	1	Sealing ring		(1542204)
38	829487	1	Gasket		
39	965185	6	Flange screw		L = 40 MM
	965220	2	Flange screw		L = 45 MM
40	941908	8	Spring washer		
41	407092	1	Cover		
42	941906	2	Spring washer		
43	955296	2	Hexagon screw		
44	858165	1	Cardboard tube		
45	946752	10	Flange screw		
46	941908	10	Spring washer		
47	946035	4	Lock nut		
48	1542320	4	Oil jet		
49	955981	4	O-ring		
50	1542380	4	Stud		
51		1	ENGINE SIGN		
52	950885	2	Drive screw		
53	423081	1	Flange		
54	946471	3	Flange screw		

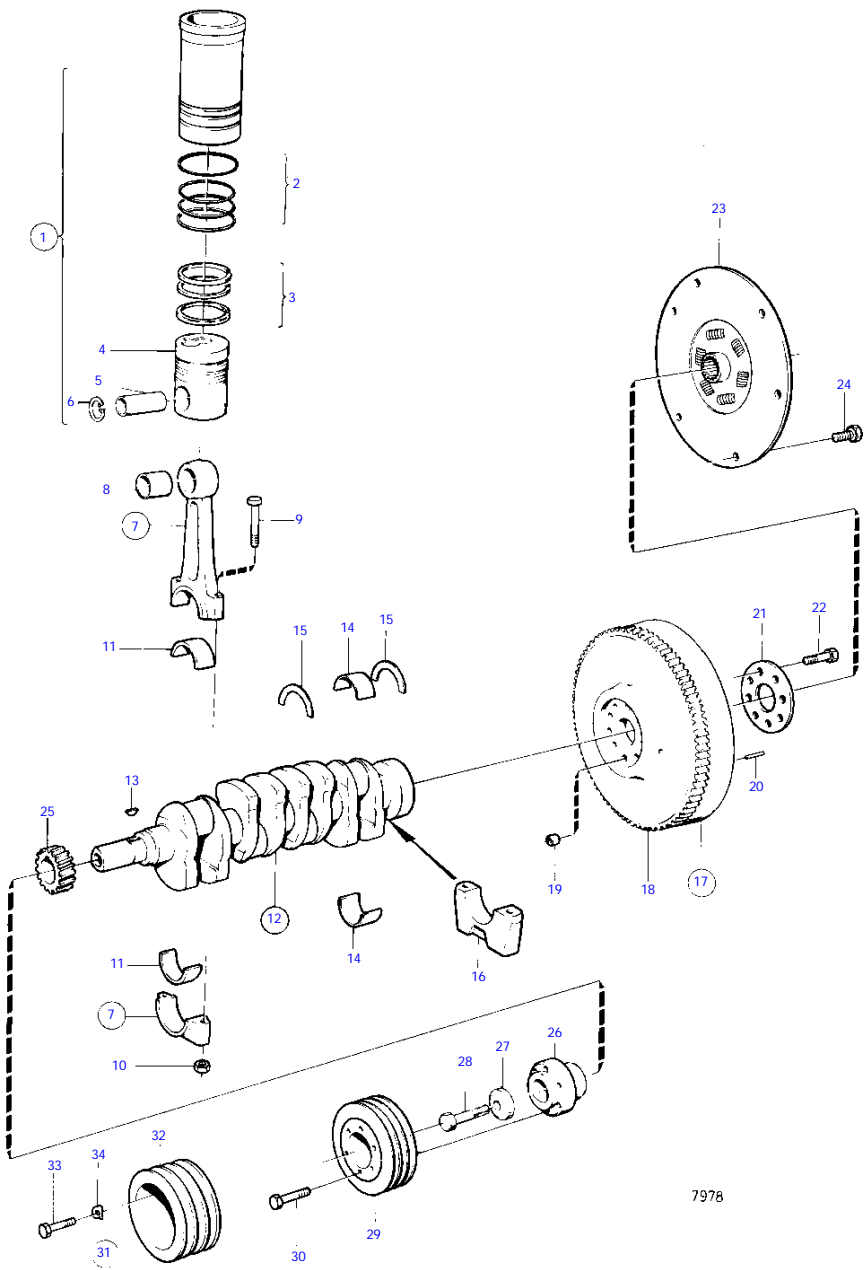
MD31A



MD31A

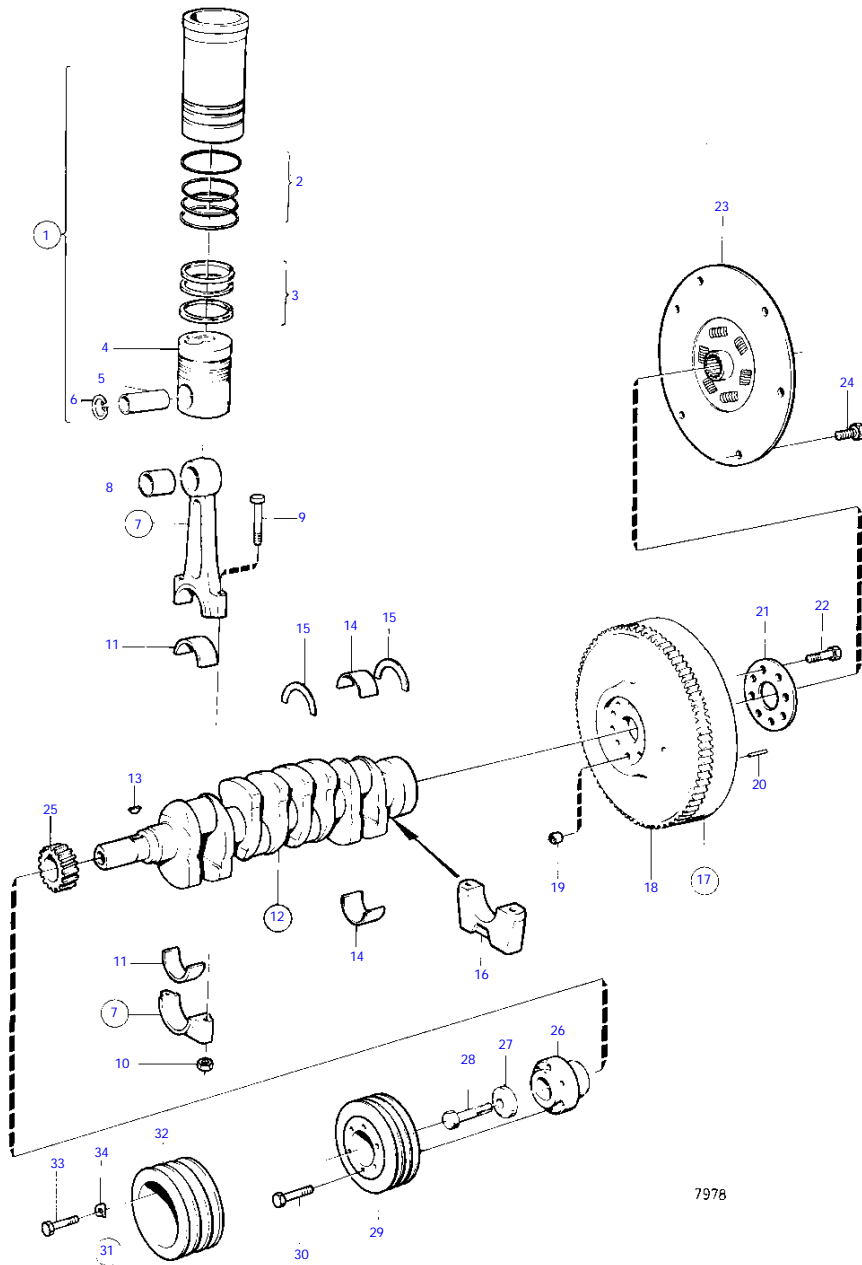
REF	PART NO.	QTY	DESCRIPTION	SEE SEC.	NOTES
1	876098	4	Cylinder liner kit		
2	275751	4	* Sealing ring kit		
3	275350	4	* Piston ring kit		
4		4	* PISTON		
5	1542160	4	* Piston pin		
6	914519	8	* Snap ring		
7	1542072	4	Connecting rod		
8	1542076	4	* Bushing		
9	1542077	8	* Connecting rod bolt		
10	1542078	8	* Nut		
11	270111	4	Main bearing kit		STD D
	270112	4	Main bearing kit		UNDER SIZE 0,25 MM
	270113	4	Main bearing kit		UNDER SIZE 0,50 MM
	270114	4	Main bearing kit		UNDER SIZE 0,75 MM
12	1544120	1	Crankshaft		
			Bulletin 44-22	44-22-EN	New Crankshaft
13	910118	1	* Woodruff key		
14	270467	5	Main bearing kit		STD D
	270468	5	Main bearing kit		UNDER SIZE 0,25 MM
	270469	5	Main bearing kit		UNDER SIZE 0,50 MM
	270470	5	Main bearing kit		UNDER SIZE 0,75 MM
15	270464	1	Thrust washer kit		STD D
	270465	1	Thrust washer kit		OVER SIZE 0,10 MM
	270466	1	Thrust washer kit		OVER SIZE 0,20 MM
16		5	BEARING CAP	19103	
17	860726	1	Flywheel		(838850)
18	829462	1	* Ring gear		
19	415311	1	* Guide sleeve		
20	191873	3	* Locating pin		
21	1542093	1	Bolt plate		
22	1544147	8	Screw		
23	846755	1	Absorber		PRODUCT NO.867959,868159, OBSOLETE PART
24	946173	6	Flange screw		
25	1542305	1	Gear	19115	
26	1542196	1	Hub		
27	420124	1	Washer		
28	1542149	1	Hexagon screw		
29	838725	1	Vibration damper		
30	948217	6	Flange screw		
31		1	PULLEY		SEE GROUP 9
32		1	* PULLEY		SEE GROUP 9
33		6	* SCREW		SEE GROUP 9
34		6	* RESILIENT WASHER		SEE GROUP 9

TMD31A



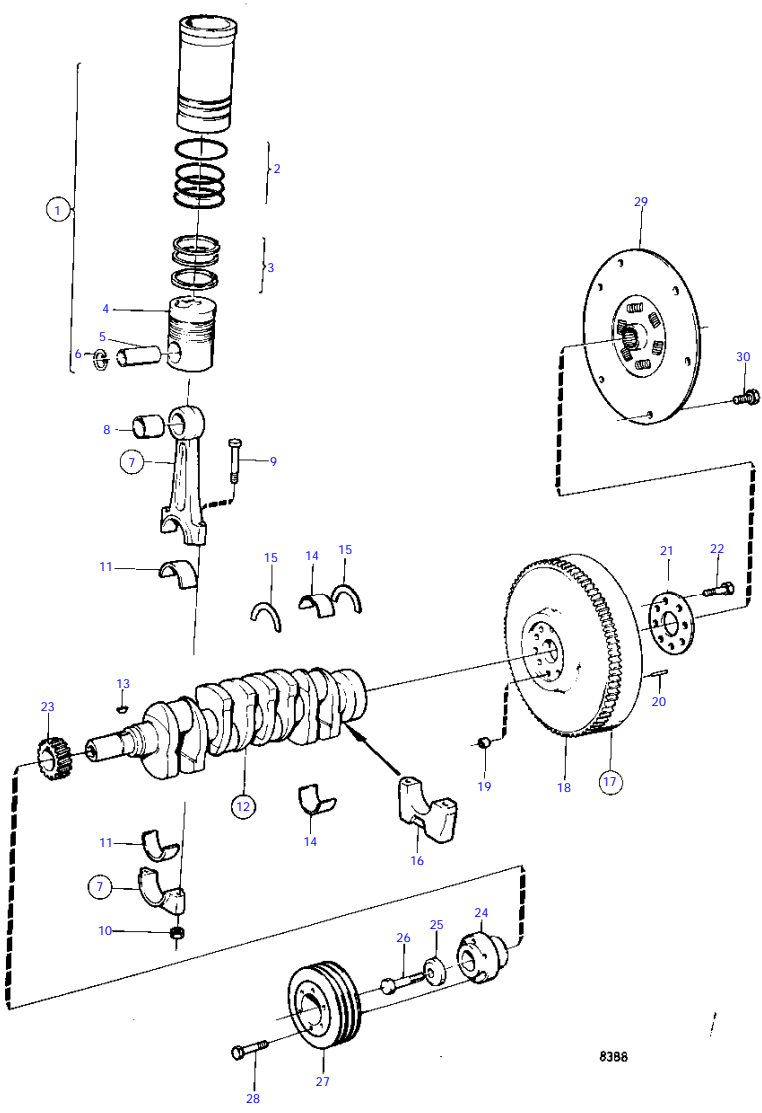
TMD31A

REF	PART NO.	QTY	DESCRIPTION	SEE SEC.	NOTES
1	876099	4	Cylinder liner kit		
2	275751	4	* Sealing ring kit		
3	275350	4	* Piston ring kit		
4		4	* PISTON		
5	1542160	4	* Piston pin		
6	914519	8	* Snap ring		
7	1542072	4	Connecting rod		
8	1542076	4	* Bushing		
9	1542077	8	* Connecting rod bolt		
10	1542078	8	* Nut		
11	270111	4	Main bearing kit		STD D
	270112	4	Main bearing kit		UNDER SIZE 0,25 MM
	270113	4	Main bearing kit		UNDER SIZE 0,50 MM
	270114	4	Main bearing kit		UNDER SIZE 0,75 MM
12	1544120	1	Crankshaft		
			Bulletin 44-22	44-22-EN	New Crankshaft
13	910118	1	* Woodruff key		
14	270467	5	Main bearing kit		STD D
	270468	5	Main bearing kit		UNDER SIZE 0,25 MM
	270469	5	Main bearing kit		UNDER SIZE 0,50 MM
	270470	5	Main bearing kit		UNDER SIZE 0,75 MM
15	270464	1	Thrust washer kit		STD D
	270465	1	Thrust washer kit		OVER SIZE 0,10 MM
	270466	1	Thrust washer kit		OVER SIZE 0,20 MM
16		5	BEARING CAP	19103	
17	860726	1	Flywheel		(838850)
18	829462	1	* Ring gear		
19	415311	1	* Guide sleeve		
20	191873	3	* Locating pin		
21	1542093	1	Bolt plate		
22	1544147	8	Screw		
23	855389	1	Absorber		PRODUCT NO.867961,867962,867963
24	946173	6	Flange screw		
25	1542305	1	Gear	19115	
26	1542196	1	Hub		
27	420124	1	Washer		
28	1542149	1	Hexagon screw		
29	838725	1	Vibration damper		
30	948217	6	Flange screw		
31		1	PULLEY		SEE GROUP 9
32		1	* PULLEY		SEE GROUP 9
33		6	* SCREW		SEE GROUP 9
34		6	* RESILIENT WASHER		SEE GROUP 9



TAMD31A

REF	PART NO.	QTY	DESCRIPTION	SEE SEC.	NOTES
1	876099	4	Cylinder liner kit		
2	275751	4	* Sealing ring kit		
3	275350	4	* Piston ring kit		
4		4	* PISTON		
5	1542160	4	* Piston pin		
6	914519	8	* Snap ring		
7	1542072	4	Connecting rod		
8	1542076	4	* Bushing		
9	1542077	8	* Connecting rod bolt		
10	1542078	8	* Nut		
11	270111	4	Main bearing kit		STD D
	270112	4	Main bearing kit		UNDER SIZE 0,25 MM
	270113	4	Main bearing kit		UNDER SIZE 0,50 MM
	270114	4	Main bearing kit		UNDER SIZE 0,75 MM
12	1544120	1	Crankshaft		
			Bulletin 44-22	44-22-EN	New Crankshaft
13	910118	1	* Woodruff key		
14	270467	5	Main bearing kit		STD D
	270468	5	Main bearing kit		UNDER SIZE 0,25 MM
	270469	5	Main bearing kit		UNDER SIZE 0,50 MM
	270470	5	Main bearing kit		UNDER SIZE 0,75 MM
15	270464	1	Thrust washer kit		STD D
	270465	1	Thrust washer kit		OVER SIZE 0,10 MM
	270466	1	Thrust washer kit		OVER SIZE 0,20 MM
16		5	BEARING CAP	19103	
17	860726	1	Flywheel		(838850)
18	829462	1	* Ring gear		
19	415311	1	* Guide sleeve		
20	191873	3	* Locating pin		
21	1542093	1	Bolt plate		
22	1544147	8	Screw		
23	855389	1	Absorber		PRODUCT NO.867965,867966
24	946173	6	Flange screw		
25	1542305	1	Gear	19115	
26	1542196	1	Hub		
27	420124	1	Washer		
28	1542149	1	Hexagon screw		
29	838725	1	Vibration damper		
30	948217	6	Flange screw		
31		1	PULLEY		SEE GROUP 9
32		1	* PULLEY		SEE GROUP 9
33		6	* SCREW		SEE GROUP 9
34		6	* RESILIENT WASHER		SEE GROUP 9



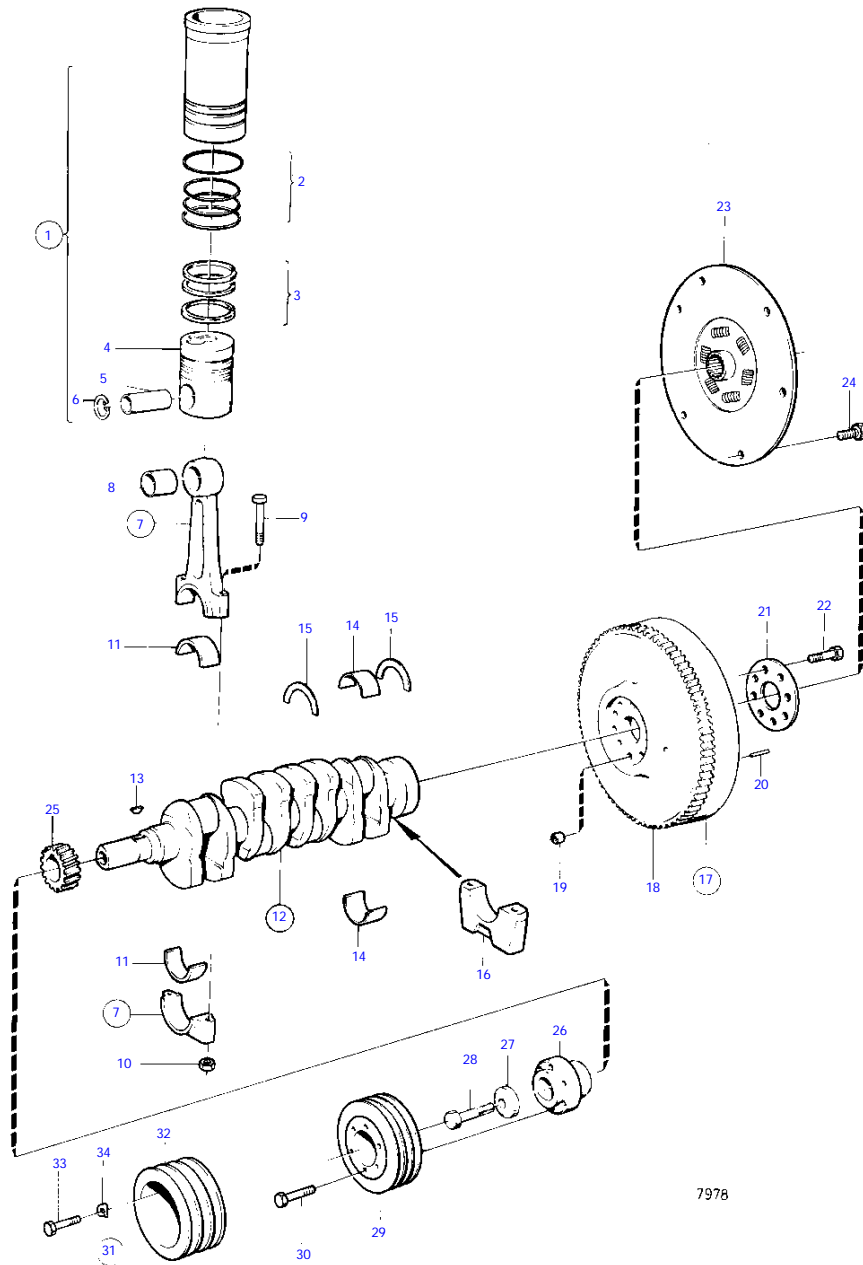
8388



--

REF	PART NO.	QTY	DESCRIPTION	SEE SEC.	NOTES
1	876099	4	Cylinder liner kit		
2	275751	4	* Sealing ring kit		
3	275350	4	* Piston ring kit		
4		4	* PISTON		
5	1542160	4	* Piston pin		
6	914519	8	* Snap ring		
7	1542072	4	* Connecting rod		
8	1542076	4	* Bushing		
9	1542077	8	* Connecting rod bolt		
10	1542078	8	* Nut		
11	270111	4	Main bearing kit		STD D
	270112	4	Main bearing kit		UNDER SIZE 0,25 MM
	270113	4	Main bearing kit		UNDER SIZE 0,50 MM
	270114	4	Main bearing kit		UNDER SIZE 0,75 MM
12	1544120	1	Crankshaft		
			Bulletin 44-22		
13	910118	1	* Woodruff key	44-22-EN	New Crankshaft
14	270467	5	Main bearing kit		STD D
	270468	5	Main bearing kit		UNDER SIZE 0,25 MM
	270469	5	Main bearing kit		UNDER SIZE 0,50 MM
	270470	5	Main bearing kit		UNDER SIZE 0,75 MM
15	270464	1	Thrust washer kit		STD D
	270465	1	Thrust washer kit		OVER SIZE 0,10 MM
	270466	1	Thrust washer kit		OVER SIZE 0,20 MM
16		5	BEARING CAP	19106	
17	860726	1	Flywheel		(838850)
18	829462	1	* Ring gear		
19	415311	1	* Guide sleeve		
20	191873	3	* Locating pin		
21	1542093	1	Bolt plate		
22	1544147	8	Screw		
23	1542305	1	Gear	19117	
24	1542196	1	Hub		
25	420124	1	Washer		
26	1542149	1	Hexagon screw		
27	838725	1	Vibration damper		
28	948217	6	Flange screw		
29	855389	1	Absorber		
30	946173	6	Flange screw		

AQAD31A, AD31A

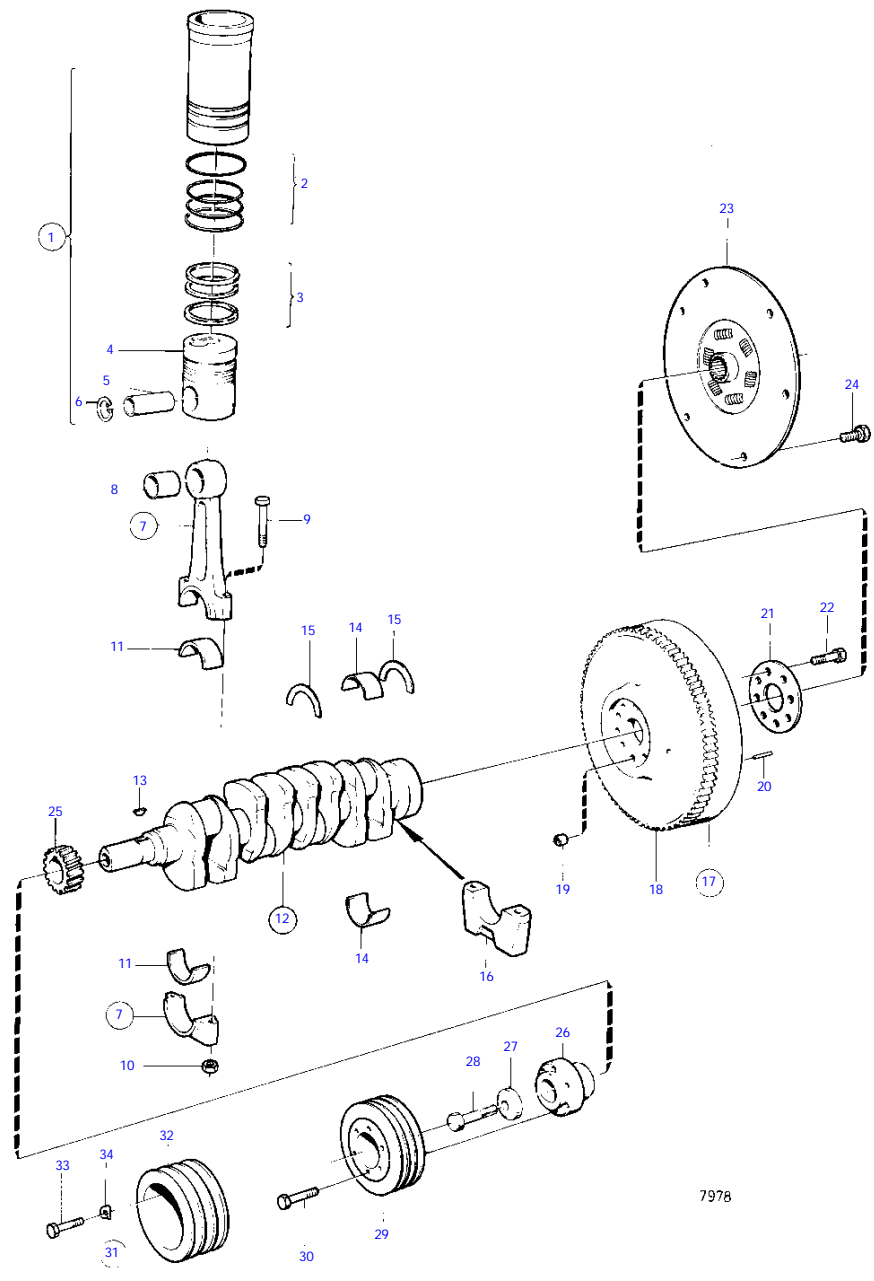


7978

AQAD31A, AD31A

REF	PART NO.	QTY	DESCRIPTION	SEE SEC.	NOTES
1	876099	4	Cylinder liner kit		
2	275751	4	* Sealing ring kit		
3	275350	4	* Piston ring kit		
4		4	* PISTON		
5	1542160	4	* Piston pin		
6	914519	8	* Snap ring		
7	1542072	4	Connecting rod		
8	1542076	4	* Bushing		
9	1542077	8	* Connecting rod bolt		
10	1542078	8	* Nut		
11	270111	4	Main bearing kit		STD D
	270112	4	Main bearing kit		UNDER SIZE 0,25 MM
	270113	4	Main bearing kit		UNDER SIZE 0,50 MM
	270114	4	Main bearing kit		UNDER SIZE 0,75 MM
12	1544120	1	Crankshaft		
			Bulletin 44-22	44-22-EN	New Crankshaft
13	910118	1	* Woodruff key		
14	270467	5	Main bearing kit		STD D
	270468	5	Main bearing kit		UNDER SIZE 0,25 MM
	270469	5	Main bearing kit		UNDER SIZE 0,50 MM
	270470	5	Main bearing kit		UNDER SIZE 0,75 MM
15	270464	1	Thrust washer kit		STD D
	270465	1	Thrust washer kit		OVER SIZE 0,10 MM
	270466	1	Thrust washer kit		OVER SIZE 0,20 MM
16		5	BEARING CAP	19105	
17	860726	1	Flywheel		(838850)
18	829462	1	* Ring gear		
19	415311	1	* Guide sleeve		
20	191873	3	* Locating pin		
21	1542093	1	Bolt plate		
22	1544147	8	Screw		
23	855389	1	Absorber		
24	946173	6	Flange screw		
25	1542305	1	Gear	19116	
26	1542196	1	Hub		
27	420124	1	Washer		
28	1542149	1	Hexagon screw		
29	838725	1	Vibration damper		
30	948217	6	Flange screw		
31		1	PULLEY		SEE GROUP 9
32		1	* PULLEY		SEE GROUP 9
33		6	* SCREW		SEE GROUP 9
34		6	* RESILIENT WASHER		SEE GROUP 9

TMD31B



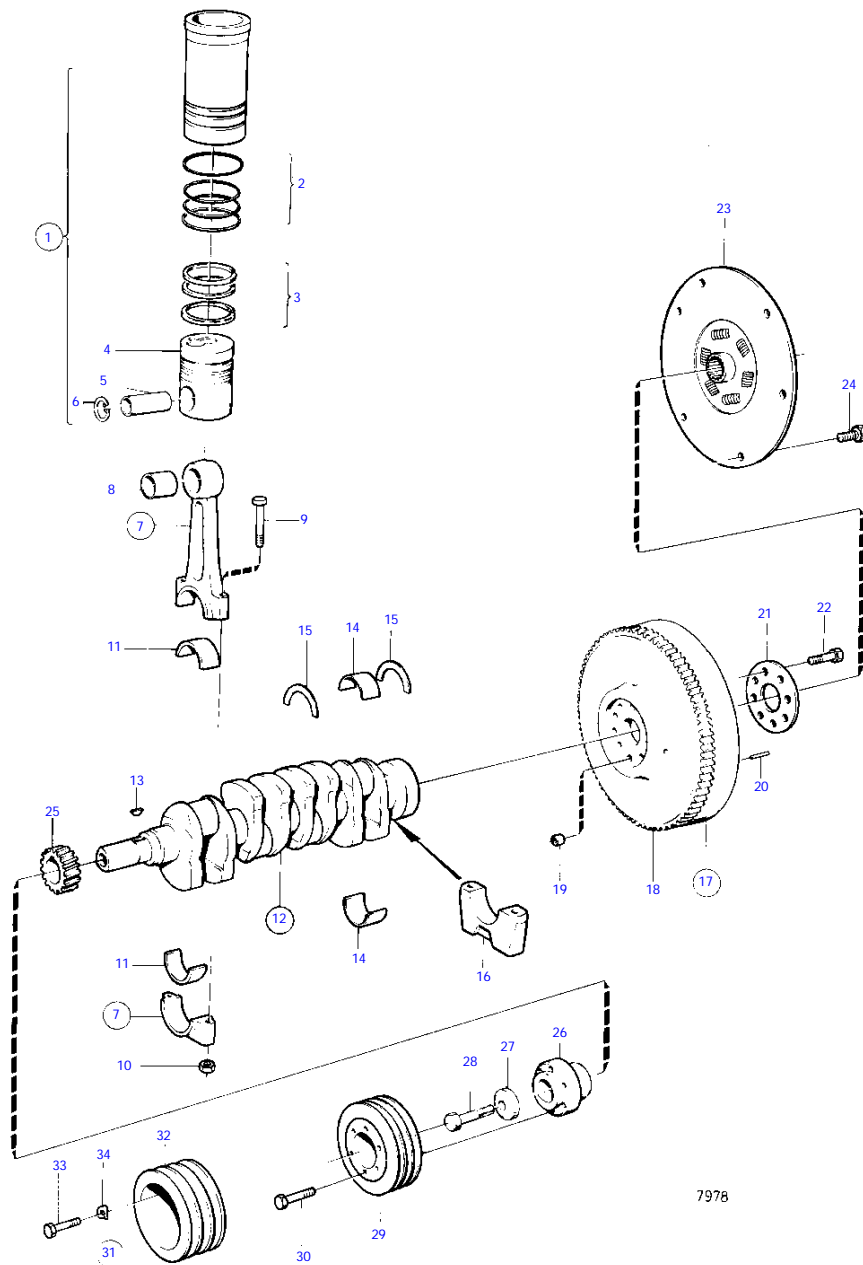
7978



TMD31B

REF	PART NO.	QTY	DESCRIPTION	SEE SEC.	NOTES
1	876261	4	Cylinder liner kit		
2	275751	4	* Sealing ring kit		
3	275350	4	* Piston ring kit		
4		4	* PISTON		
5	1542160	4	* Piston pin		
6	914519	8	* Snap ring		
7	1542072	4	Connecting rod		
8	1542076	4	* Bushing		
9	1542077	8	* Connecting rod bolt		
10	1542078	8	* Nut		
11	270111	4	Main bearing kit		STD D
	270112	4	Main bearing kit		UNDER SIZE 0,25 MM
	270113	4	Main bearing kit		UNDER SIZE 0,50 MM
	270114	4	Main bearing kit		UNDER SIZE 0,75 MM
12	1544120	1	Crankshaft		
			Bulletin 44-22	44-22-EN	New Crankshaft
13	910118	1	* Woodruff key		
14	270467	5	Main bearing kit		STD D
	270468	5	Main bearing kit		UNDER SIZE 0,25 MM
	270469	5	Main bearing kit		UNDER SIZE 0,50 MM
	270470	5	Main bearing kit		UNDER SIZE 0,75 MM
15	270464	1	Thrust washer kit		STD D
	270465	1	Thrust washer kit		OVER SIZE 0,10 MM
	270466	1	Thrust washer kit		OVER SIZE 0,20 MM
16		5	BEARING CAP	19104	
17	860726	1	Flywheel		(838850)
18	829462	1	* Ring gear		
19	415311	1	* Guide sleeve		
20	191873	3	* Locating pin		
21	1542093	1	Bolt plate		
22	1544147	8	Screw		
23	855389	1	Absorber		PRODUCT NO.868180,868181
24	946173	6	Flange screw		
25	1542305	1	Gear	19118	
26	1542196	1	Hub		
27	420124	1	Washer		
28	1542149	1	Hexagon screw		
29	838725	1	Vibration damper		
30	948217	6	Flange screw		
31		1	PULLEY		SEE GROUP 9
32		1	* PULLEY		SEE GROUP 9
33		6	* SCREW		SEE GROUP 9
34		6	* RESILIENT WASHER		SEE GROUP 9

TAMD31B

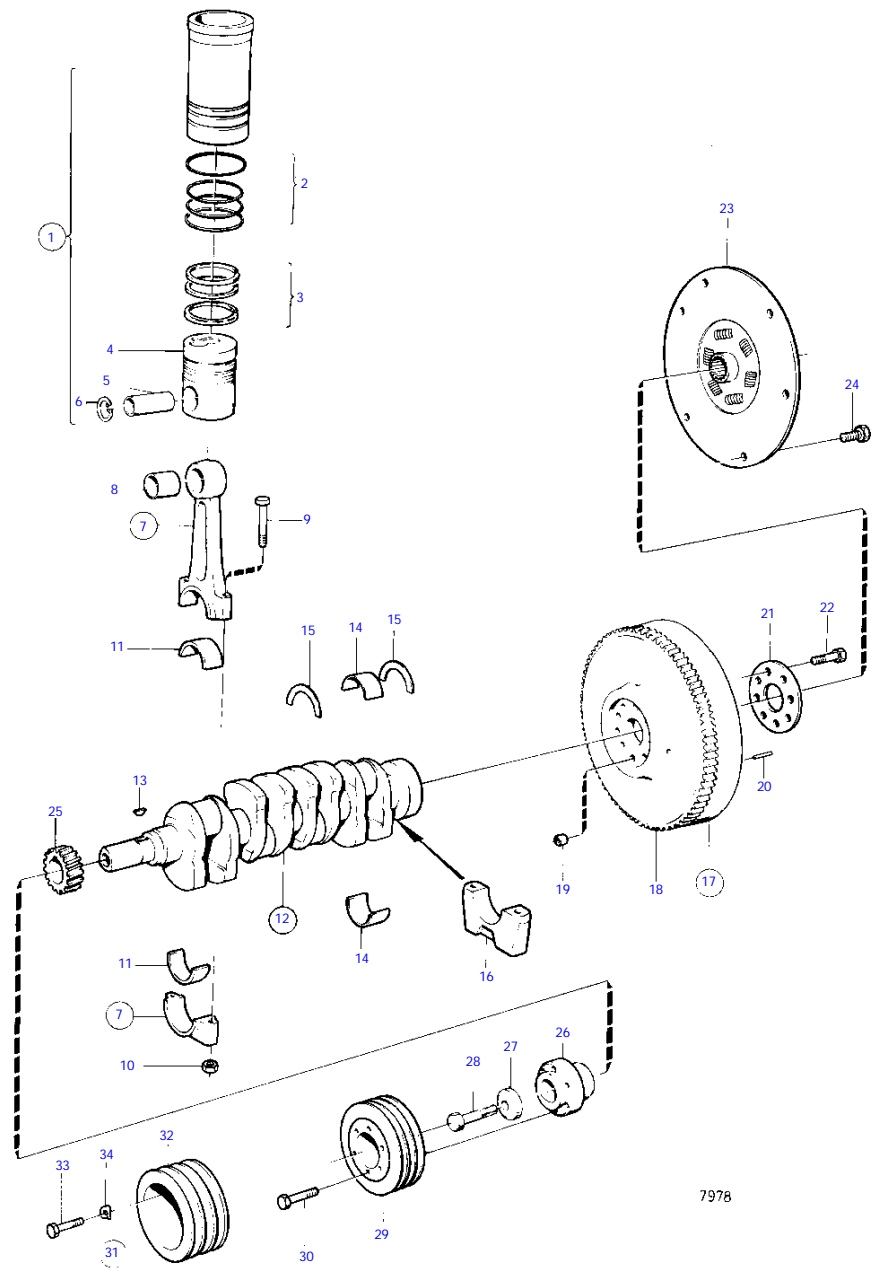


7978

TAMD31B

REF	PART NO.	QTY	DESCRIPTION	SEE SEC.	NOTES
1	876261	4	Cylinder liner kit		
2	275751	4	* Sealing ring kit		
3	275350	4	* Piston ring kit		
4		4	* PISTON		
5	1542160	4	* Piston pin		
6	914519	8	* Snap ring		
7	1542072	4	Connecting rod		
8	1542076	4	* Bushing		
9	1542077	8	* Connecting rod bolt		
10	1542078	8	* Nut		
11	270111	4	Main bearing kit		STD D
	270112	4	Main bearing kit		UNDER SIZE 0,25 MM
	270113	4	Main bearing kit		UNDER SIZE 0,50 MM
	270114	4	Main bearing kit		UNDER SIZE 0,75 MM
12	1544120	1	Crankshaft		
			Bulletin 44-22	44-22-EN	New Crankshaft
13	910118	1	* Woodruff key		
14	270467	5	Main bearing kit		STD D
	270468	5	Main bearing kit		UNDER SIZE 0,25 MM
	270469	5	Main bearing kit		UNDER SIZE 0,50 MM
	270470	5	Main bearing kit		UNDER SIZE 0,75 MM
15	270464	1	Thrust washer kit		STD D
	270465	1	Thrust washer kit		OVER SIZE 0,10 MM
	270466	1	Thrust washer kit		OVER SIZE 0,20 MM
16		5	BEARING CAP	19104	
17	860726	1	Flywheel		(838850)
18	829462	1	* Ring gear		
19	415311	1	* Guide sleeve		
20	191873	3	* Locating pin		
21	1542093	1	Bolt plate		
22	1544147	8	Screw		
23	855389	1	Absorber		PRODUCT NO.868182,868183
24	946173	6	Flange screw		
25	1542305	1	Gear	19118	
26	1542196	1	Hub		
27	420124	1	Washer		
28	1542149	1	Hexagon screw		
29	838725	1	Vibration damper		
30	948217	6	Flange screw		
31		1	PULLEY		SEE GROUP 9
32		1	* PULLEY		SEE GROUP 9
33		6	* SCREW		SEE GROUP 9
34		6	* RESILIENT WASHER		SEE GROUP 9

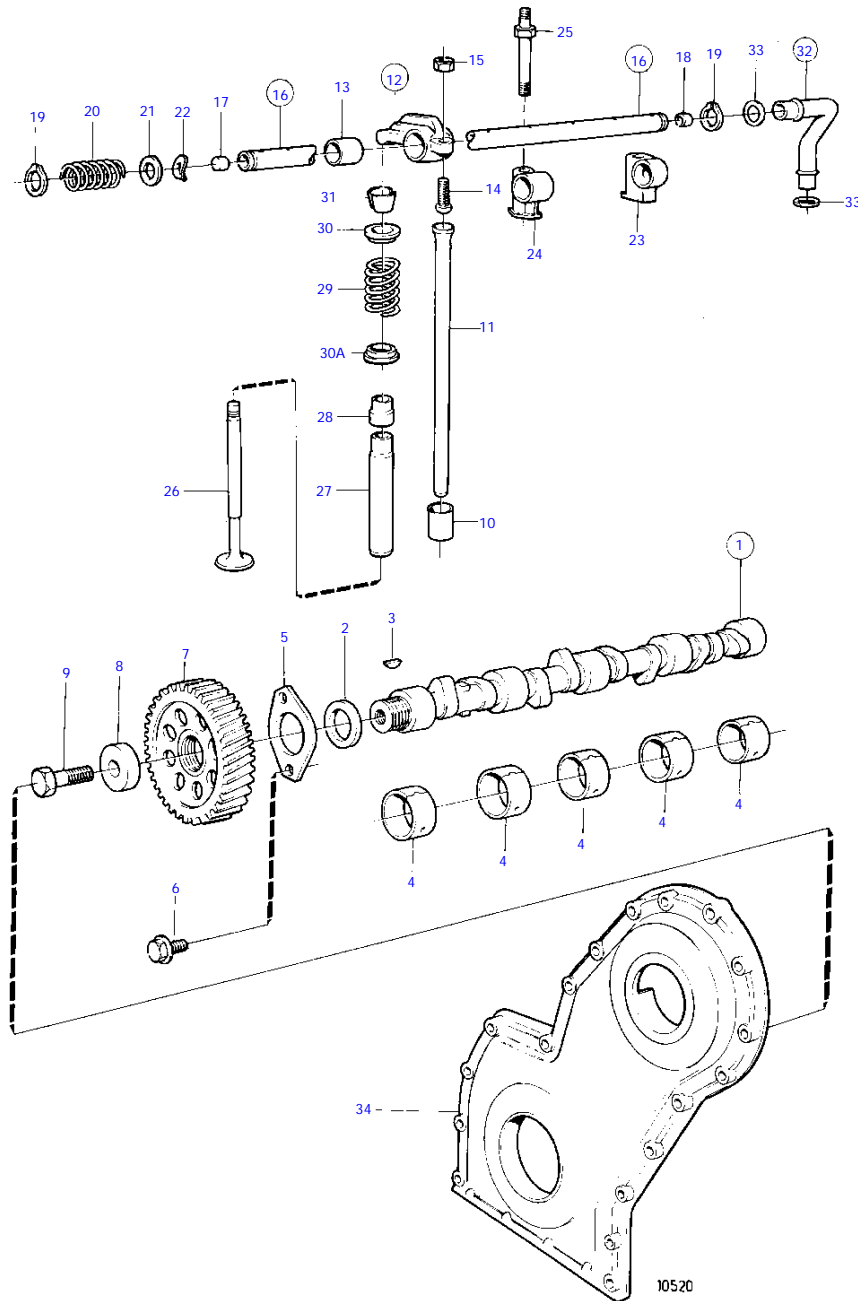
AD31B



AD31B

REF	PART NO.	QTY	DESCRIPTION	SEE SEC.	NOTES
1	876261	4	Cylinder liner kit		
2	275751	4	* Sealing ring kit		
3	275350	4	* Piston ring kit		
4		4	* PISTON		
5	1542160	4	* Piston pin		
6	914519	8	* Snap ring		
7	1542072	4	Connecting rod		
8	1542076	4	* Bushing		
9	1542077	8	* Connecting rod bolt		
10	1542078	8	* Nut		
11	270111	4	Main bearing kit		STD D
	270112	4	Main bearing kit		UNDER SIZE 0,25 MM
	270113	4	Main bearing kit		UNDER SIZE 0,50 MM
	270114	4	Main bearing kit		UNDER SIZE 0,75 MM
12	1544120	1	Crankshaft		
			Bulletin 44-22	44-22-EN	New Crankshaft
13	910118	1	* Woodruff key		
14	270467	5	Main bearing kit		STD D
	270468	5	Main bearing kit		UNDER SIZE 0,25 MM
	270469	5	Main bearing kit		UNDER SIZE 0,50 MM
	270470	5	Main bearing kit		UNDER SIZE 0,75 MM
15	270464	1	Thrust washer kit		STD D
	270465	1	Thrust washer kit		OVER SIZE 0,10 MM
	270466	1	Thrust washer kit		OVER SIZE 0,20 MM
16		5	BEARING CAP	19105	
17	860726	1	Flywheel		(838850)
18	829462	1	* Ring gear		
19	415311	1	* Guide sleeve		
20	191873	3	* Locating pin		
21	1542093	1	Bolt plate		
22	1544147	8	Screw		
23	855389	1	Absorber		PRODUCT NO.868184,868286
24	946173	6	Flange screw		
25	1542305	1	Gear	19118	
26	1542196	1	Hub		
27	420124	1	Washer		
28	1542149	1	Hexagon screw		
29	838725	1	Vibration damper		
30	948217	6	Flange screw		
31		1	PULLEY		SEE GROUP 9
32		1	* PULLEY		SEE GROUP 9
33		6	* SCREW		SEE GROUP 9
34		6	* RESILIENT WASHER		SEE GROUP 9

MD31A, TMD31A, TAMD31A



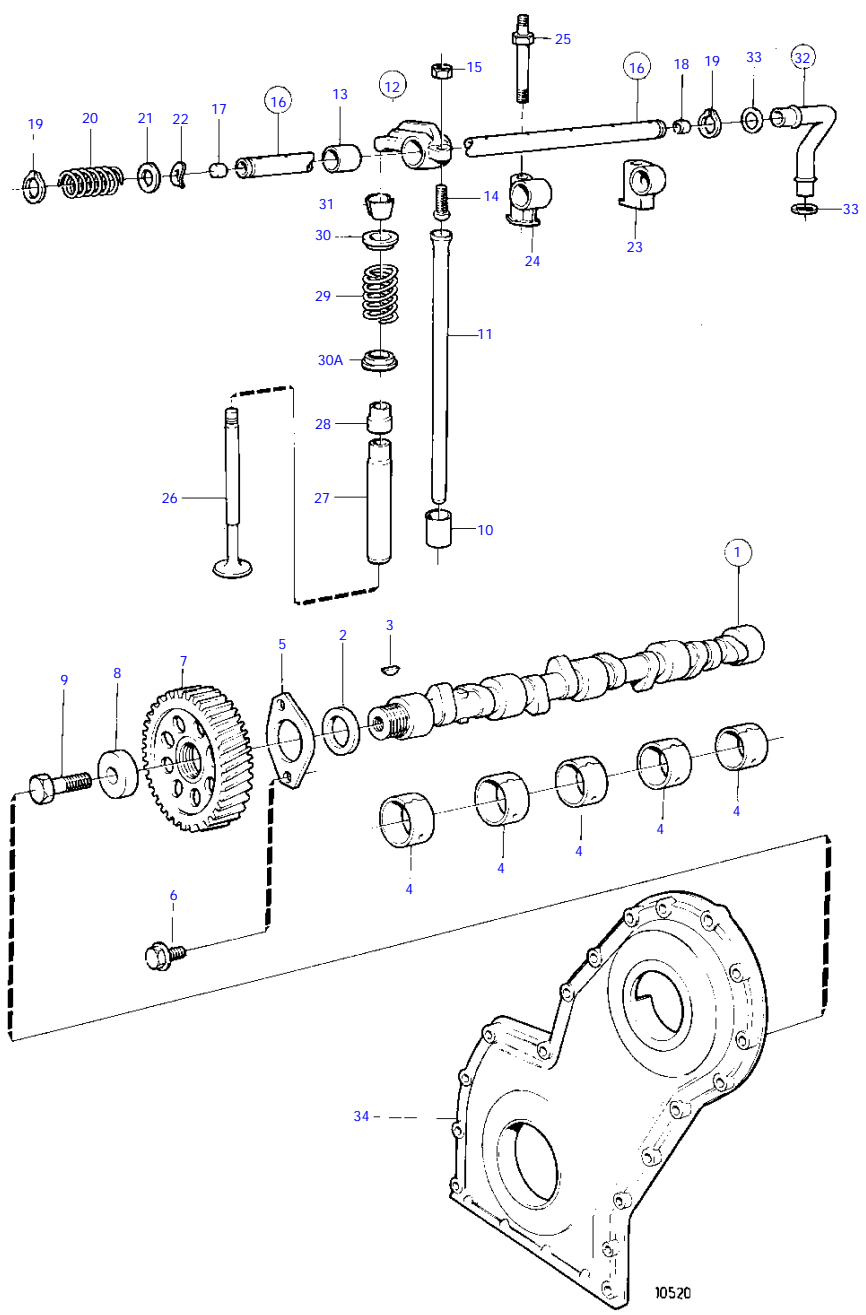
CAMSHAFT AND VALVE MECHANISM

21

MD31A, TMD31A, TAMD31A

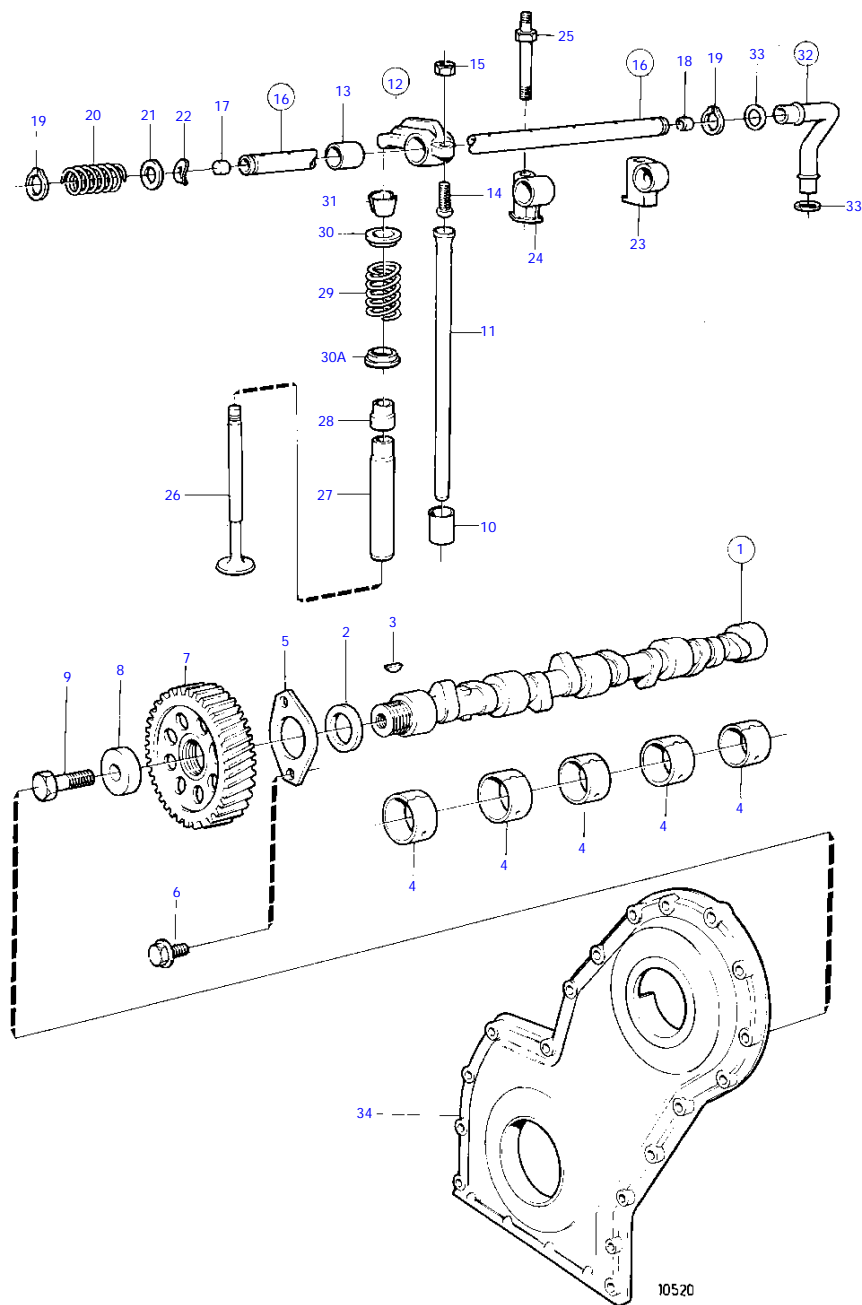
REF	PART NO.	QTY	DESCRIPTION	SEE SEC.	NOTES
1	838630	1	Camshaft		
2	1542221	1	* Spacer washer		
3	910116	1	* Woodruff key		
4	1542067	5	Camshaft bushing	19103	
5	838992	1	Thrust washer		
6	946440	2	Flange screw		
7	1542034	1	Gear	19115	
8	1542223	1	Washer	19115	
9	965193	1	Flange screw		
10	1542208	8	Valve tappet		
11	838636	8	Push rod		
12	418301	4	Rocker arm		NO. 1,3,5,7
	418298	4	Rocker arm		NO. 2,4,6,8
13	418297	8	* Bushing		
14	418286	8	* Ball stud		
15	921781	8	* Hexagon nut		
16	838641	1	Rocker arm shaft		
17	955083	1	* Cap plug		
18	840444	1	* Sleeve		
19	914456	2	Snap ring		
20	411139	3	Compression spring		
21	400722	2	Shim		
22	840686	2	Spring washer		
23	838726	1	Adapler		
24	838647	3	Bearing bracket		
25	838732	4	Stud		
26	838637	4	Inlet valve		
	838638	4	Exhaust valve		
27	419653	8	Valve guide	19101	
28	859171	8	Valve stem seal		INLOPP/INLET
29	1545198	8	Valve spring		
30	838639	8	Washer		
30A	1332137	8	Valve spring washer		
31	465284	16	Lock		
32	860686	1	Tube		
33	969198	2	* O-ring		
34		X	TIMING GEAR COVER AND GEARS	19115	





REF	PART NO.	QTY	DESCRIPTION	SEE SEC.	NOTES
1	838630	1	Camshaft		
2	1542221	1	* Spacer washer		
3	910116	1	* Woodruff key		
4	1542067	5	Camshaft bushing	19106	
5	838992	1	Thrust washer		
6	946440	2	Flange screw		
7	1542034	1	Gear	19117	
8	1542223	1	Washer		
9	965193	1	Flange screw		
10	1542208	8	Valve tappet		
11	838636	8	Push rod		
12	418301	4	Rocker arm		NO. 1,3,5,7
	418298	4	Rocker arm		NO. 2,4,6,8
13	418297	8	* Bushing		
14	418286	8	* Ball stud		
15	921781	8	* Hexagon nut		
16	838641	1	Rocker arm shaft		
17	955083	1	* Cap plug		
18	840444	1	* Sleeve		
19	914456	2	Snap ring		
20	411139	3	Compression spring		
21	400722	2	Shim		
22	840686	2	Spring washer		
23	838726	1	Adapler		
24	838647	3	Bearing bracket		
25	838732	4	Stud		
26	838637	4	Inlet valve		
	838638	4	Exhaust valve		
27	419653	8	Valve guide	19101	
28	859171	8	Valve stem seal		INLOPP/INLET
29	1545198	8	Valve spring		
30	838639	8	Washer		
30A	1332137	8	Valve spring washer		
31	465284	16	Lock		
32	860686	1	Tube		
33	969198	2	* O-ring		
34		X	TIMING GEAR COVER AND GEARS	19117	

AQAD31A, AD31A



CAMSHAFT AND VALVE MECHANISM

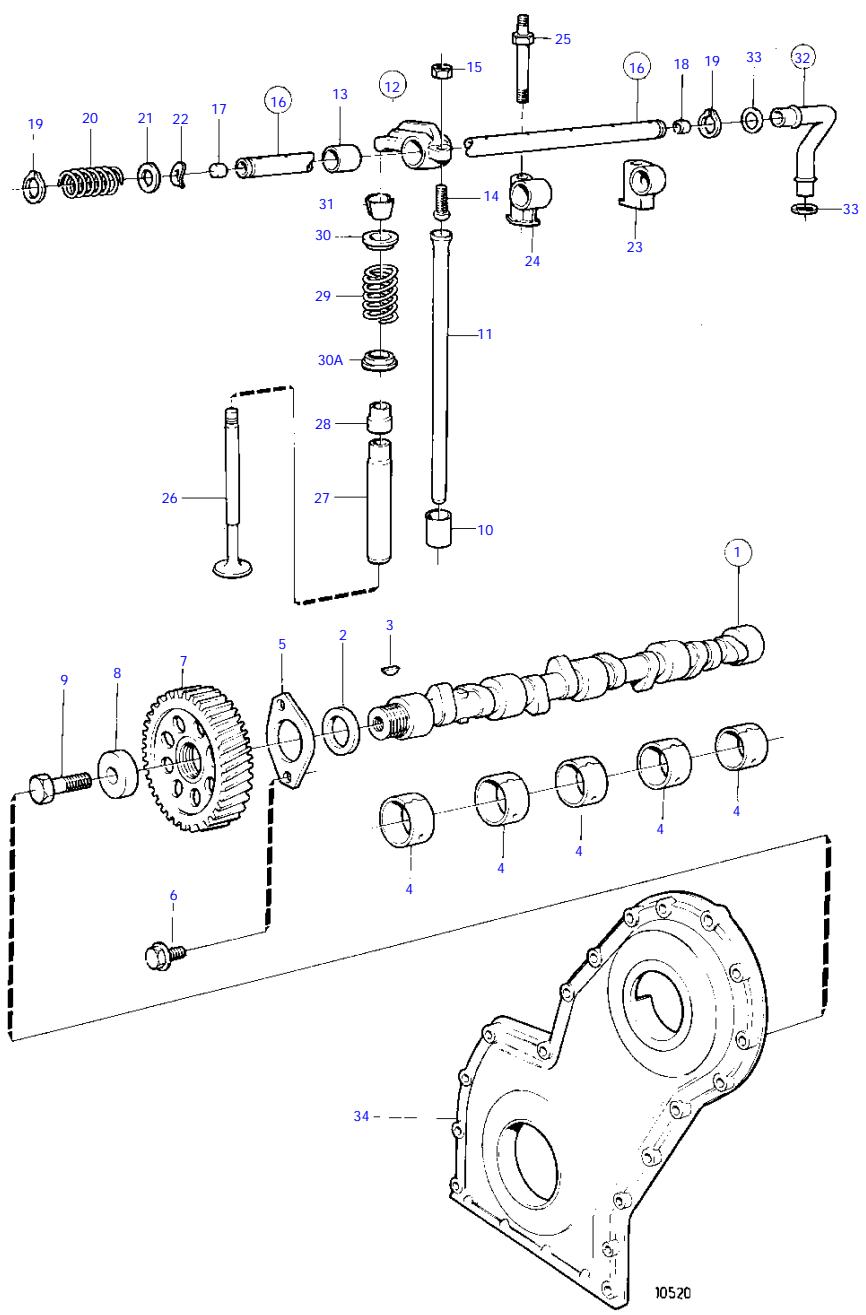
21

AQAD31A, AD31A

REF	PART NO.	QTY	DESCRIPTION	SEE SEC.	NOTES
1	838630	1	Camshaft		
2	1542221	1	* Spacer washer		
3	910116	1	* Woodruff key		
4	1542067	5	Camshaft bushing	19105	
5	838992	1	Thrust washer		
6	946440	2	Flange screw		
7	1542034	1	Gear	19116	
8	1542223	1	Washer	19116	
9	965193	1	Flange screw		
10	1542208	8	Valve tappet		
11	838636	8	Push rod		
12	418301	4	Rocker arm		NO. 1,3,5,7
	418298	4	Rocker arm		NO. 2,4,6,8
13	418297	8	* Bushing		
14	418286	8	* Ball stud		
15	921781	8	* Hexagon nut		
16	838641	1	Rocker arm shaft		
17	955083	1	* Cap plug		
18	840444	1	* Sleeve		
19	914456	2	Snap ring		
20	411139	3	Compression spring		
21	400722	2	Shim		
22	840686	2	Spring washer		
23	838726	1	Adapler		
24	838647	3	Bearing bracket		
25	838732	4	Stud		
26	838637	4	Inlet valve		
	838638	4	Exhaust valve		
27	419653	8	Valve guide	19101	
28	859171	8	Valve stem seal		INLOPP/INLET
29	1545198	8	Valve spring		
30	838639	8	Washer		
30A	1332137	8	Valve spring washer		
31	465284	16	Lock		
32	860686	1	Tube		
33	969198	2	* O-ring		
34		X	TIMING GEAR COVER AND GEARS	19116	



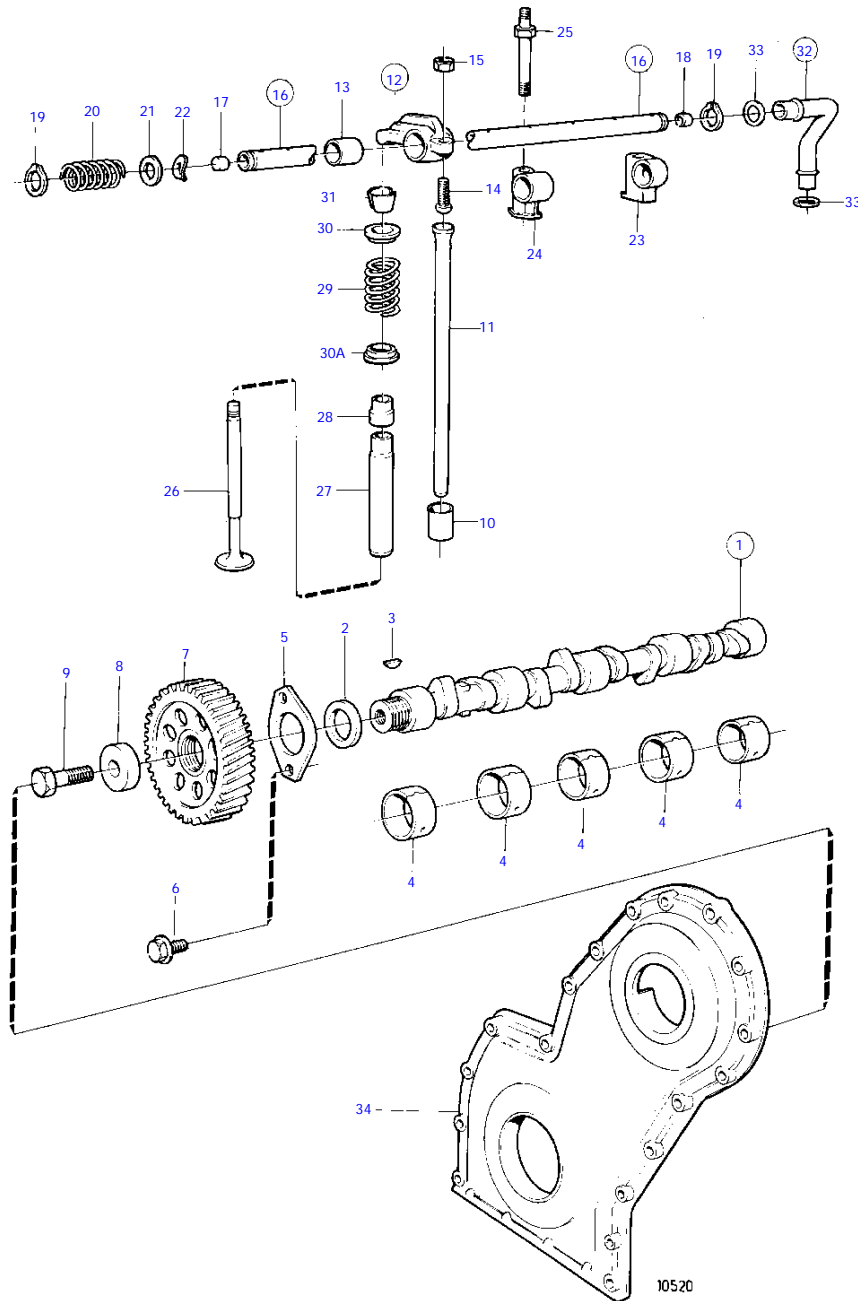
TMD31B



TMD31B

REF	PART NO.	QTY	DESCRIPTION	SEE SEC.	NOTES
1	838630	1	Camshaft		
2	1542221	1	* Spacer washer		
3	910116	1	* Woodruff key		
4	1542067	5	Camshaft bushing	19104	
5	838992	1	Thrust washer		
6	946440	2	Flange screw		
7	1542034	1	Gear	19118	
8	1542223	1	Washer	19118	
9	965193	1	Flange screw		
10	1542208	8	Valve tappet		
11	838636	8	Push rod		
12	418301	4	Rocker arm		NO.1,3,5,7
	418298	4	Rocker arm		NO.2,4,6,8
13	418297	8	* Bushing		
14	418286	8	* Ball stud		
15	921781	8	* Hexagon nut		
16	838641	1	Rocker arm shaft		
17	955083	1	* Cap plug		
18	840444	1	* Sleeve		
19	914456	2	Snap ring		
20	411139	3	Compression spring		
21	400722	2	Shim		
22	840686	2	Spring washer		
23	838726	1	Adapler		
24	838647	3	Bearing bracket		
25	838732	4	Stud		
26	838637	4	Inlet valve		
	838638	4	Exhaust valve		
27	419653	8	Valve guide	19102	
28	859171	8	Valve stem seal		
29	1545198	8	Valve spring		
30	838639	8	Washer		
30A	1332137	8	Valve spring washer		
31	465284	16	Lock		
32	860686	1	Tube		
33	969198	2	* O-ring		
34		X	TIMING GEAR COVER AND GEARS	19118	

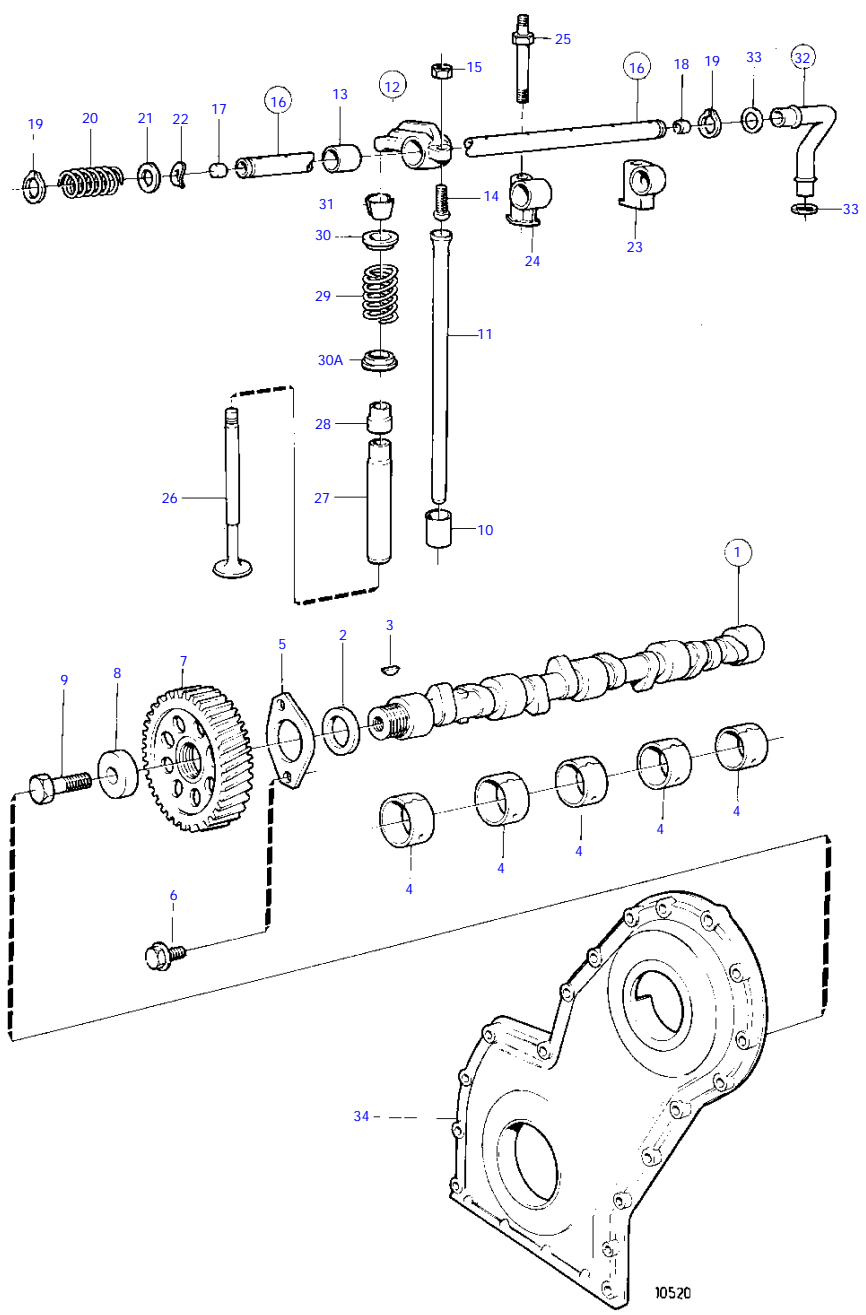
TAMD31B



TAMD31B

REF	PART NO.	QTY	DESCRIPTION	SEE SEC.	NOTES
1	838630	1	Camshaft		
2	1542221	1	* Spacer washer		
3	910116	1	* Woodruff key		
4	1542067	5	Camshaft bushing	19104	
5	838992	1	Thrust washer		
6	946440	2	Flange screw		
7	1542034	1	Gear	19118	
8	1542223	1	Washer	19118	
9	965193	1	Flange screw		
10	1542208	8	Valve tappet		
11	838636	8	Push rod		
12	418301	4	Rocker arm		NO.1,3,5,7
	418298	4	Rocker arm		NO.2,4,6,8
13	418297	8	* Bushing		
14	418286	8	* Ball stud		
15	921781	8	* Hexagon nut		
16	838641	1	Rocker arm shaft		
17	955083	1	* Cap plug		
18	840444	1	* Sleeve		
19	914456	2	Snap ring		
20	411139	3	Compression spring		
21	400722	2	Shim		
22	840686	2	Spring washer		
23	838726	1	Adapler		
24	838647	3	Bearing bracket		
25	838732	4	Stud		
26	838637	4	Inlet valve		
	838638	4	Exhaust valve		
27	419653	8	Valve guide	19102	
28	859171	8	Valve stem seal		
29	1545198	8	Valve spring		
30	838639	8	Washer		
30A	1332137	8	Valve spring washer		
31	465284	16	Lock		
32	860686	1	Tube		
33	969198	2	* O-ring		
34		X	TIMING GEAR COVER AND GEARS	19118	

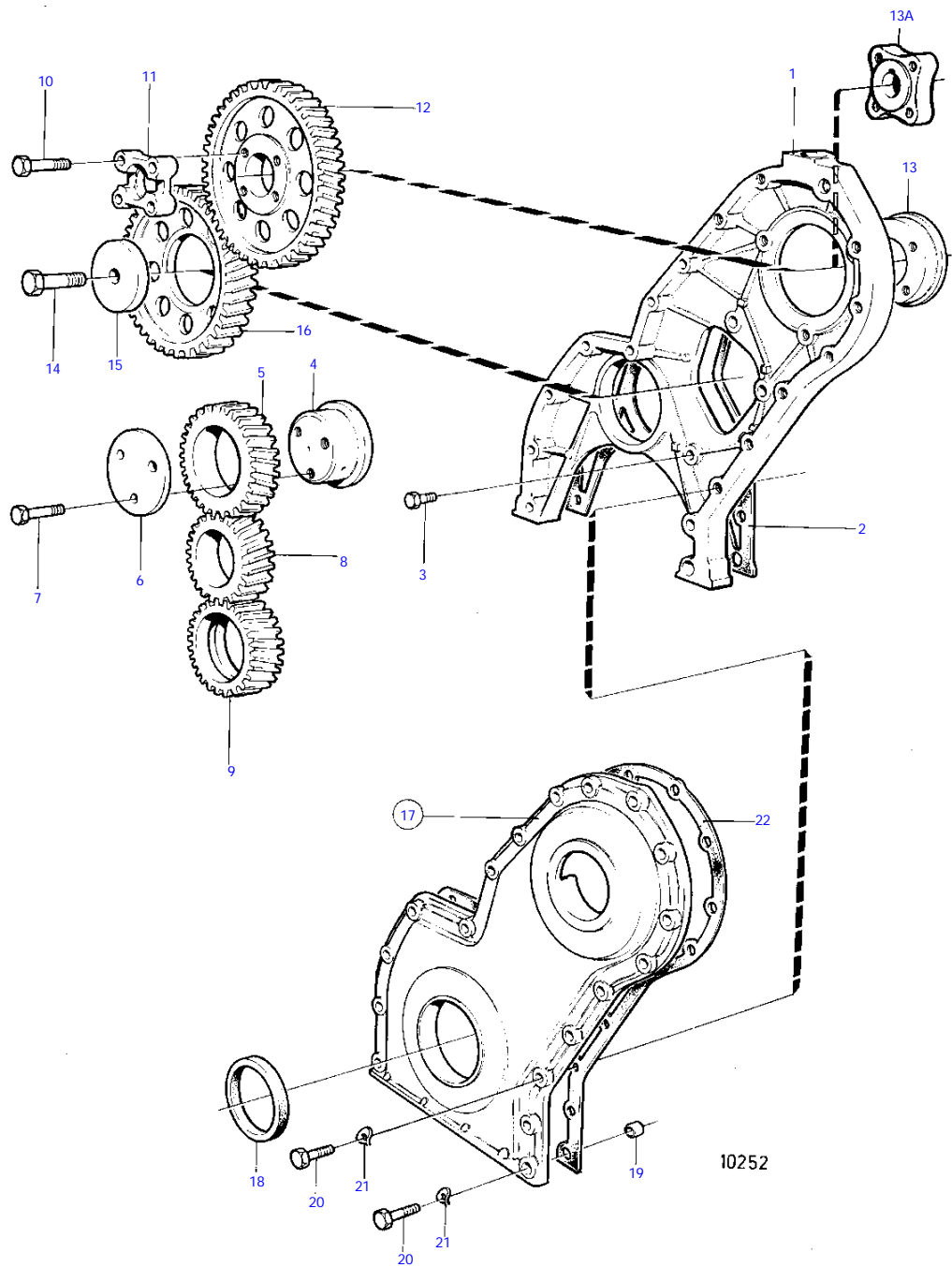
AD31B



AD31B

REF	PART NO.	QTY	DESCRIPTION	SEE SEC.	NOTES
1	838630	1	Camshaft		
2	1542221	1	* Spacer washer		
3	910116	1	* Woodruff key		
4	1542067	5	Camshaft bushing	19105	
5	838992	1	Thrust washer		
6	946440	2	Flange screw		
7	1542034	1	Gear	19118	
8	1542223	1	Washer	19118	
9	965193	1	Flange screw		
10	1542208	8	Valve tappet		
11	838636	8	Push rod		
12	418301	4	Rocker arm		NO.1,3,5,7
	418298	4	Rocker arm		NO.2,4,6,8
13	418297	8	* Bushing		
14	418286	8	* Ball stud		
15	921781	8	* Hexagon nut		
16	838641	1	Rocker arm shaft		
17	955083	1	* Cap plug		
18	840444	1	* Sleeve		
19	914456	2	Snap ring		
20	411139	3	Compression spring		
21	400722	2	Shim		
22	840686	2	Spring washer		
23	838726	1	Adapler		
24	838647	3	Bearing bracket		
25	838732	4	Stud		
26	838637	4	Inlet valve		
	838638	4	Exhaust valve		
27	419653	8	Valve guide	19102	
28	859171	8	Valve stem seal		
29	1545198	8	Valve spring		
30	838639	8	Washer		
30A	1332137	8	Valve spring washer		
31	465284	16	Lock		
32	860686	1	Tube		
33	969198	2	* O-ring		
34		X	TIMING GEAR COVER AND GEARS	19118	

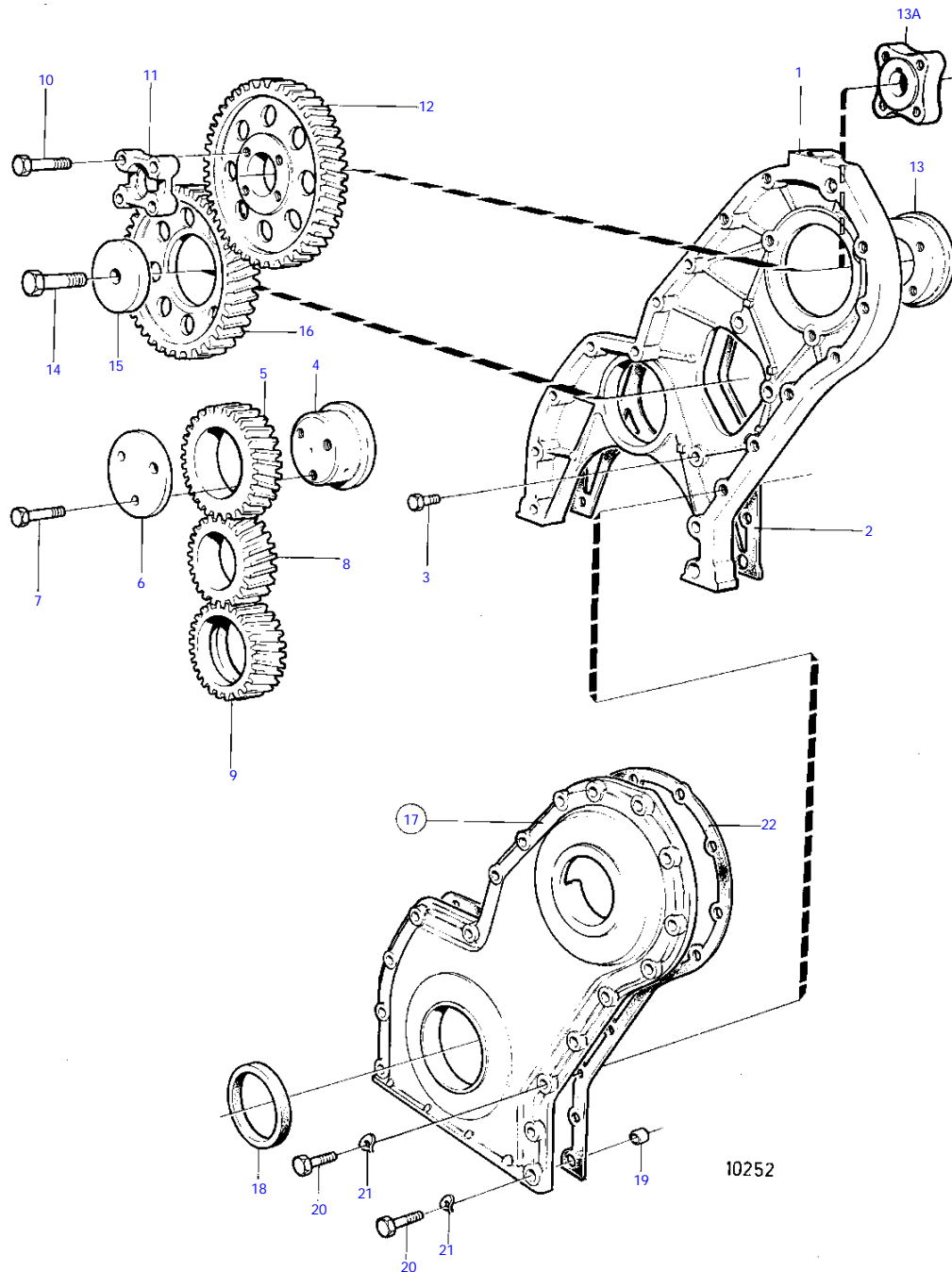
MD31A



MD31A

REF	PART NO.	QTY	DESCRIPTION	SEE SEC.	NOTES
1	838655	1	Timing gear casing		
2	859039	1	Gasket		(1542219)
3	946173	3	Flange screw		L = 20 MM
	946671	1	Flange screw		L = 30 MM
4	838997	1	Bearing spindle		
5	1542061	1	Gear		
6	1542065	1	Thrust washer		
7	965180	3	Flange screw		
8	1542305	1	Gear	19107	
9	1542215	1	Oil pump wheel		
10	955299	4	Hexagon screw		
11	829523	1	Companion flange		
12	838657	1	Gear		
13	1542171	1	Hub		OBSOLETE PART
14	965193	1	Flange screw		
15	1542223	1	Washer	19111	
16	1542034	1	Gear	19111	
17	843086	1	Cover	19111	Replaced by 842991
	842991	1	* Cover		
18	1542318	1	* Sealing ring		
19	415311	2	* Guide sleeve		
20	946470	7	Flange screw		L = 35 MM
	948217	1	Flange screw		L = 45 MM
	965179	1	Flange screw		L = 50 MM
	965180	1	Flange screw		L = 60 MM
	965181	5	Flange screw		L = 70 MM
	965182	2	Flange screw		L = 80 MM
	100222	1	Hexagon screw		L = 85 MM
21	941907	13	Spring washer		
22	859038	1	Gasket		

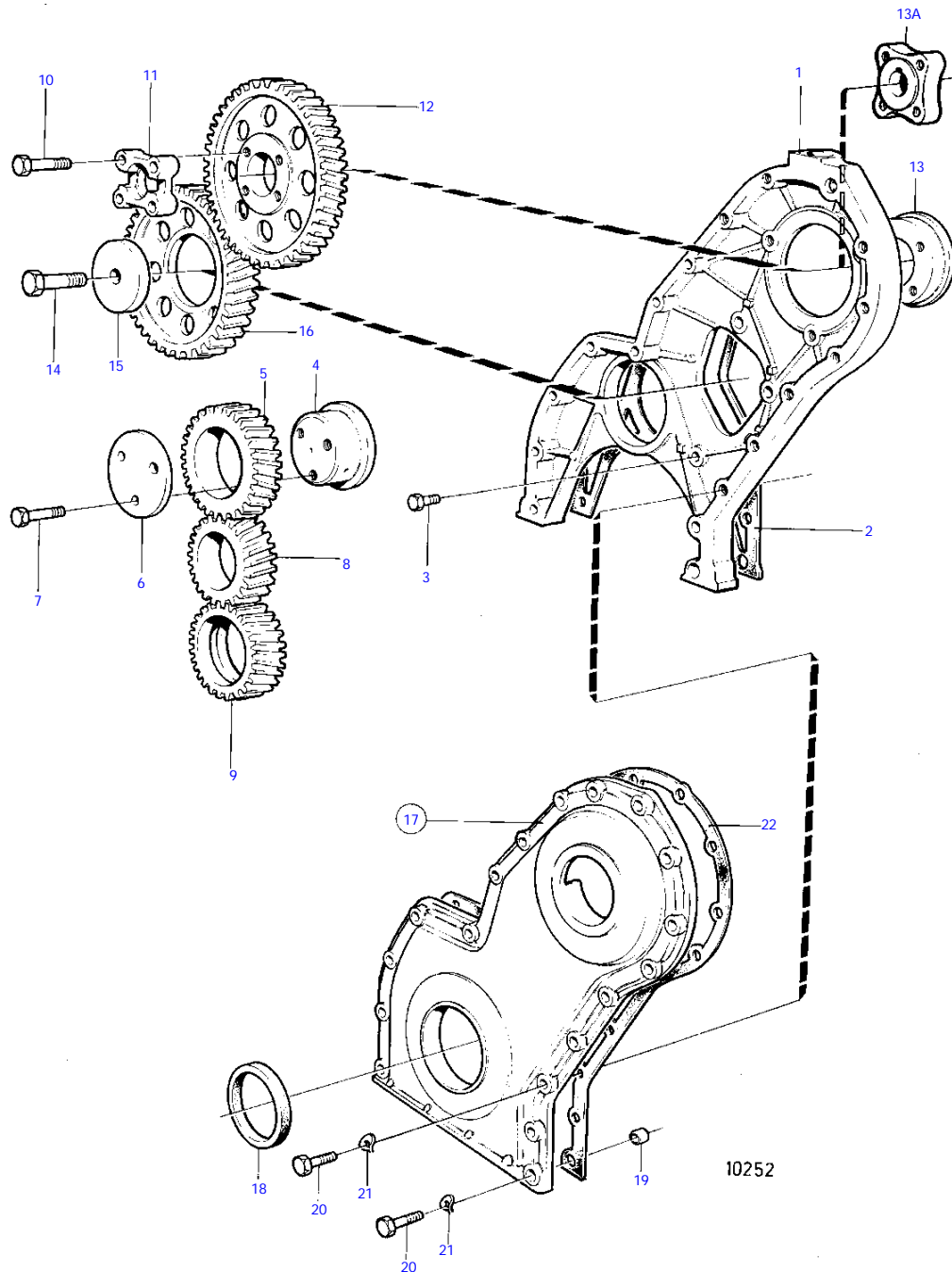
TMD31A



TMD31A

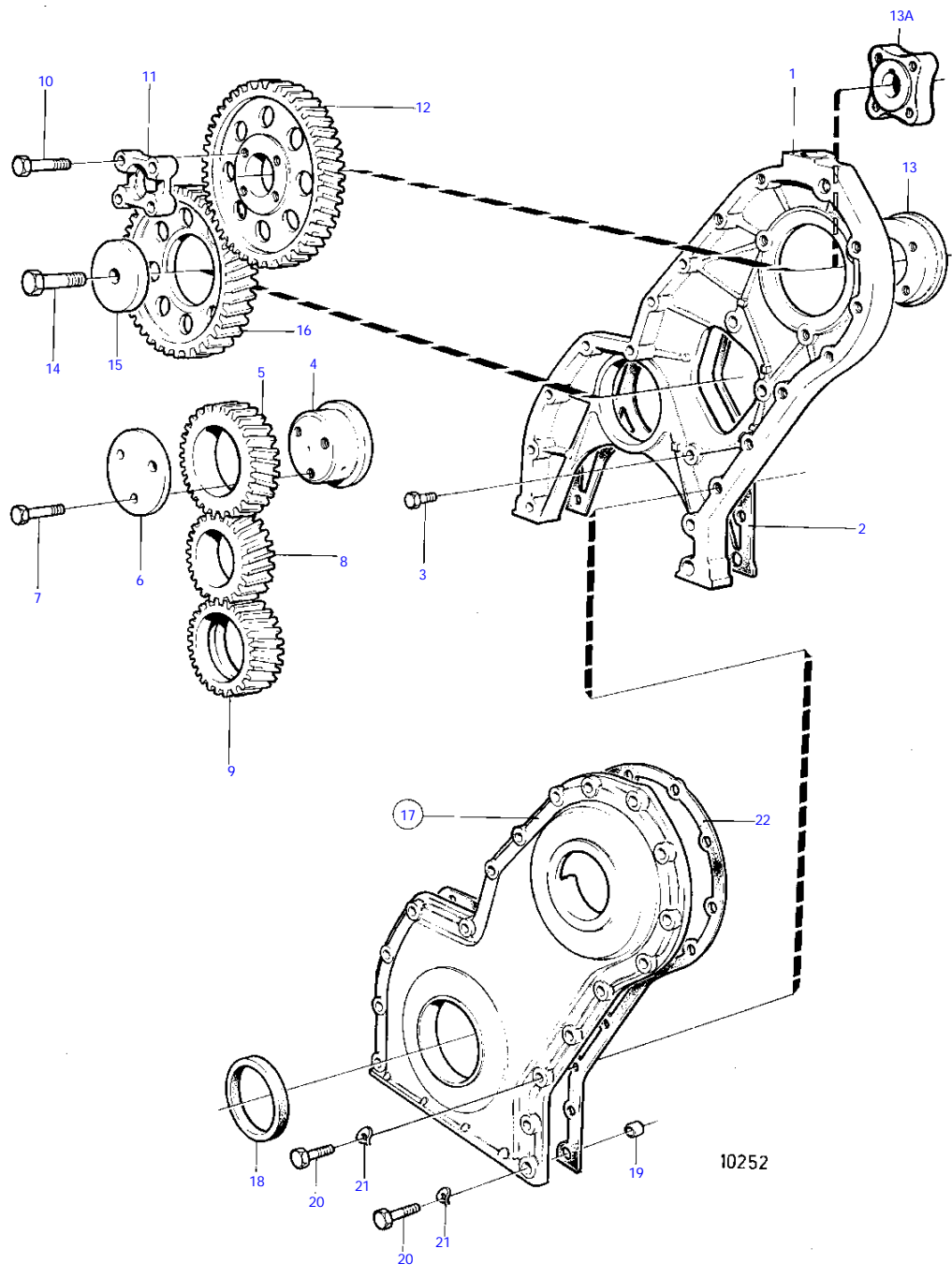
REF	PART NO.	QTY	DESCRIPTION	SEE SEC.	NOTES
1	838655	1	Timing gear casing		
2	859039	1	Gasket		(1542219)
3	946173	3	Flange screw		L = 20 MM
	946671	1	Flange screw		L = 30 MM
4	838997	1	Bearing spindle		
5	1542061	1	Gear		
6	1542065	1	Thrust washer		
7	965180	3	Flange screw		
8	1542305	1	Gear	19107	
9	1542215	1	Oil pump wheel		
10	955299	4	Hexagon screw		
11	829523	1	Companion flange		
12	838657	1	Gear		
13	838676	1	Hub		REPL BY 859601
13A	859601	1	Hub		
14	965193	1	Flange screw		
15	1542223	1	Washer	19111	
16	1542034	1	Gear	19111	
17	843086	1	Cover	19111	Replaced by 842991
	842991	1	* Cover		
18	1542318	1	* Sealing ring		
19	415311	2	* Guide sleeve		
20	946470	7	Flange screw		L = 35 MM
	948217	1	Flange screw		L = 45 MM
	965179	1	Flange screw		L = 50 MM
	965180	1	Flange screw		L = 60 MM
	965181	5	Flange screw		L = 70 MM
	965182	2	Flange screw		L = 80 MM
	100222	1	Hexagon screw		L = 85 MM
21	941907	13	Spring washer		
22	859038	1	Gasket		

TAMD31A



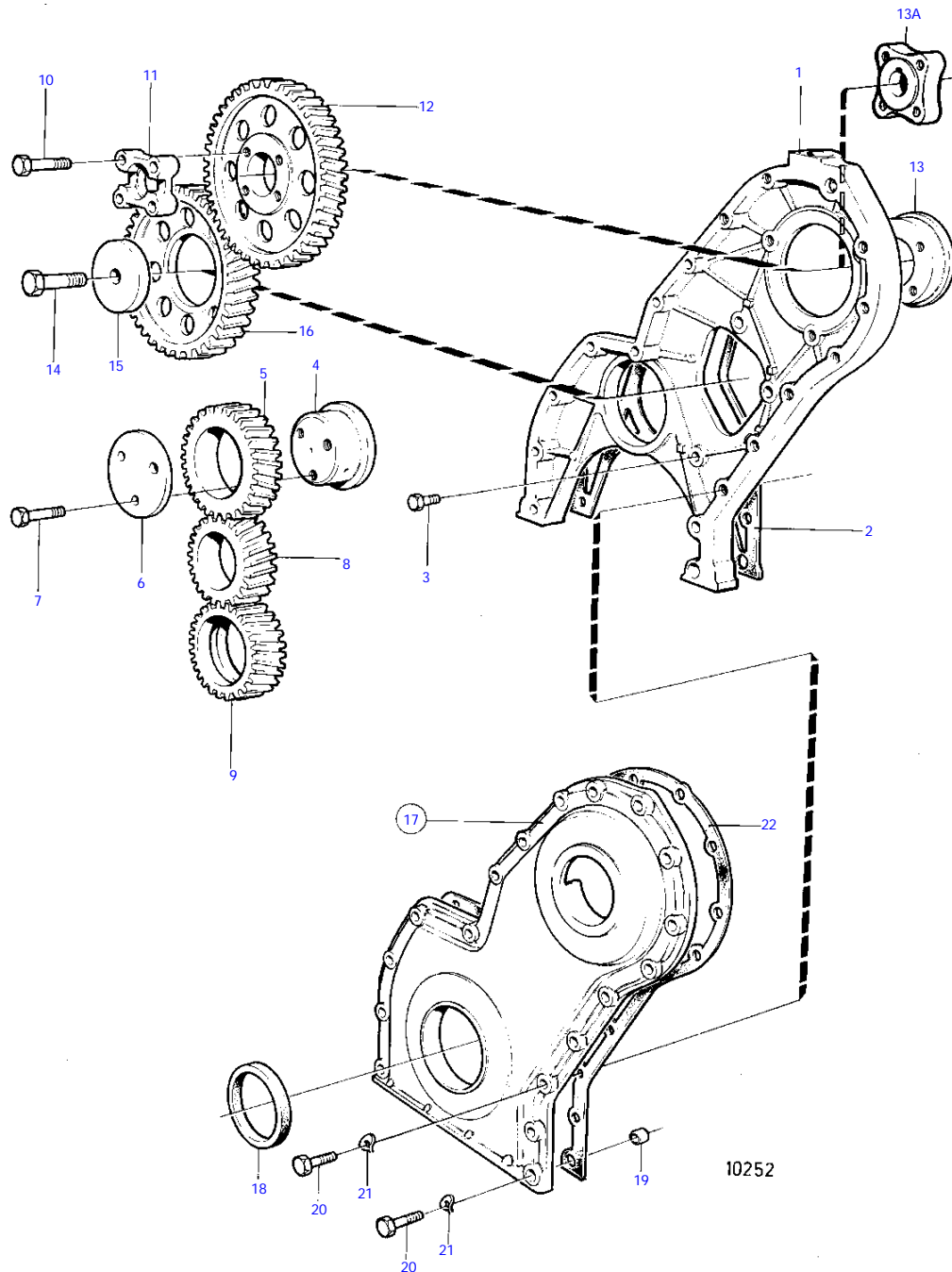
TAMD31A

REF	PART NO.	QTY	DESCRIPTION	SEE SEC.	NOTES
1	838655	1	Timing gear casing		
2	859039	1	Gasket		(1542219)
3	946173	3	Flange screw		L = 20 MM
	946671	1	Flange screw		L = 30 MM
4	838997	1	Bearing spindle		
5	1542061	1	Gear		
6	1542065	1	Thrust washer		
7	965180	3	Flange screw		
8	1542305	1	Gear	19107	
9	1542215	1	Oil pump wheel		
10	955299	4	Hexagon screw		
11	829523	1	Companion flange		
12	838657	1	Gear		
13	838676	1	Hub		REPL BY 859601
13A	859601	1	Hub		
14	965193	1	Flange screw		
15	1542223	1	Washer	19111	
16	1542034	1	Gear	19111	
17	843086	1	Cover	19111	Replaced by 842991
	842991	1	* Cover		
18	1542318	1	* Sealing ring		
19	415311	2	* Guide sleeve		
20	946470	7	Flange screw		L = 35 MM
	948217	1	Flange screw		L = 45 MM
	965179	1	Flange screw		L = 50 MM
	965180	1	Flange screw		L = 60 MM
	965181	5	Flange screw		L = 70 MM
	965182	2	Flange screw		L = 80 MM
	100222	1	Hexagon screw		L = 85 MM
21	941907	13	Spring washer		
22	859038	1	Gasket		



REF	PART NO.	QTY	DESCRIPTION	SEE SEC.	NOTES
1	838655	1	Timing gear casing		
2	859039	1	Gasket		
3	946173	3	Flange screw		L = 20 MM
	946671	1	Flange screw		L = 30 MM
4	838997	1	Bearing spindle		
5	1542061	1	Gear		
6	1542065	1	Thrust washer		
7	965180	3	Flange screw		
8	1542305	1	Gear	19109	
9	1542215	1	Oil pump wheel		
10	955299	4	Hexagon screw		
11	829523	1	Companion flange		
12	838657	1	Gear		
13	838676	1	Hub		REPL BY 859601
13A	859601	1	Hub		
14	965193	1	Flange screw		
15	1542223	1	Washer	19112	
16	1542034	1	Gear	19112	
17	843086	1	Cover	19112	Replaced by 842991
	842991		* Cover		
18	1542318	1	* Sealing ring		
19	415311	2	* Guide sleeve		
20	946470	7	Flange screw		L = 35 MM
	948217	1	Flange screw		L = 45 MM
	965179	1	Flange screw		L = 50 MM
	965180	1	Flange screw		L = 60 MM
	965181	5	Flange screw		L = 70 MM
	965182	2	Flange screw		L = 80 MM
	100222	1	Hexagon screw		L = 85 MM
21	941907	13	Spring washer		
22	859038	1	Gasket		

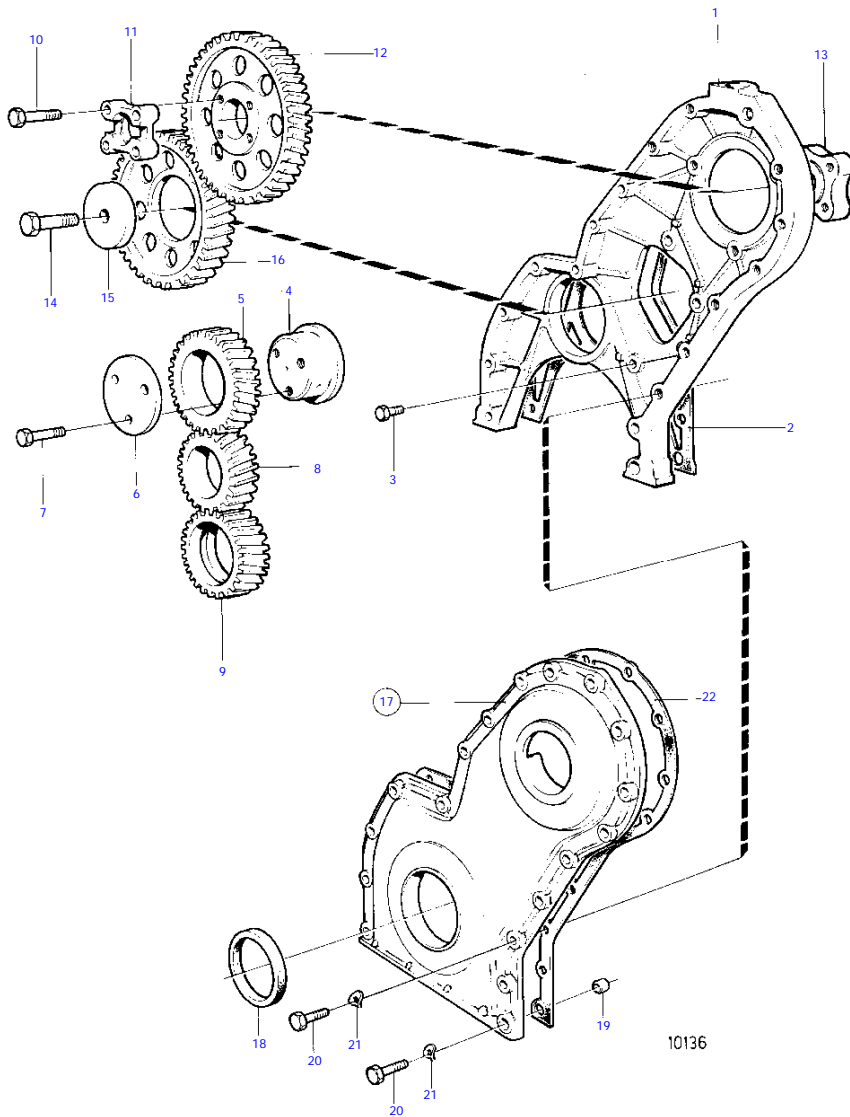
AQAD31A, AD31A



AQAD31A, AD31A

REF	PART NO.	QTY	DESCRIPTION	SEE SEC.	NOTES
1	838655	1	Timing gear casing		
2	859039	1	Gasket		(1542219)
3	946173	3	Flange screw		L = 20 MM
	946671	1	Flange screw		L = 30 MM
4	838997	1	Bearing spindle		
5	1542061	1	Gear		
6	1542065	1	Thrust washer		
7	965180	3	Flange screw		
8	1542305	1	Gear	19108	
9	1542215	1	Oil pump wheel		
10	955299	4	Hexagon screw		
11	829523	1	Companion flange		
12	838657	1	Gear		
13	838676	1	Hub		REPL BY 859601
13A	859601	1	Hub		
14	965193	1	Flange screw		
15	1542223	1	Washer	19113	
16	1542034	1	Gear	19113	
17	843086	1	Cover	19113	Replaced by 842991
	842991	1	* Cover		
18	1542318	1	* Sealing ring		
19	415311	2	* Guide sleeve		
20	946470	7	Flange screw		L = 35 MM
	948217	1	Flange screw		L = 45 MM
	965179	1	Flange screw		L = 50 MM
	965180	1	Flange screw		L = 60 MM
	965181	5	Flange screw		L = 70 MM
	965182	2	Flange screw		L = 80 MM
	100222	1	Hexagon screw		L = 85 MM
21	941907	13	Spring washer		
22	859038	1	Gasket		

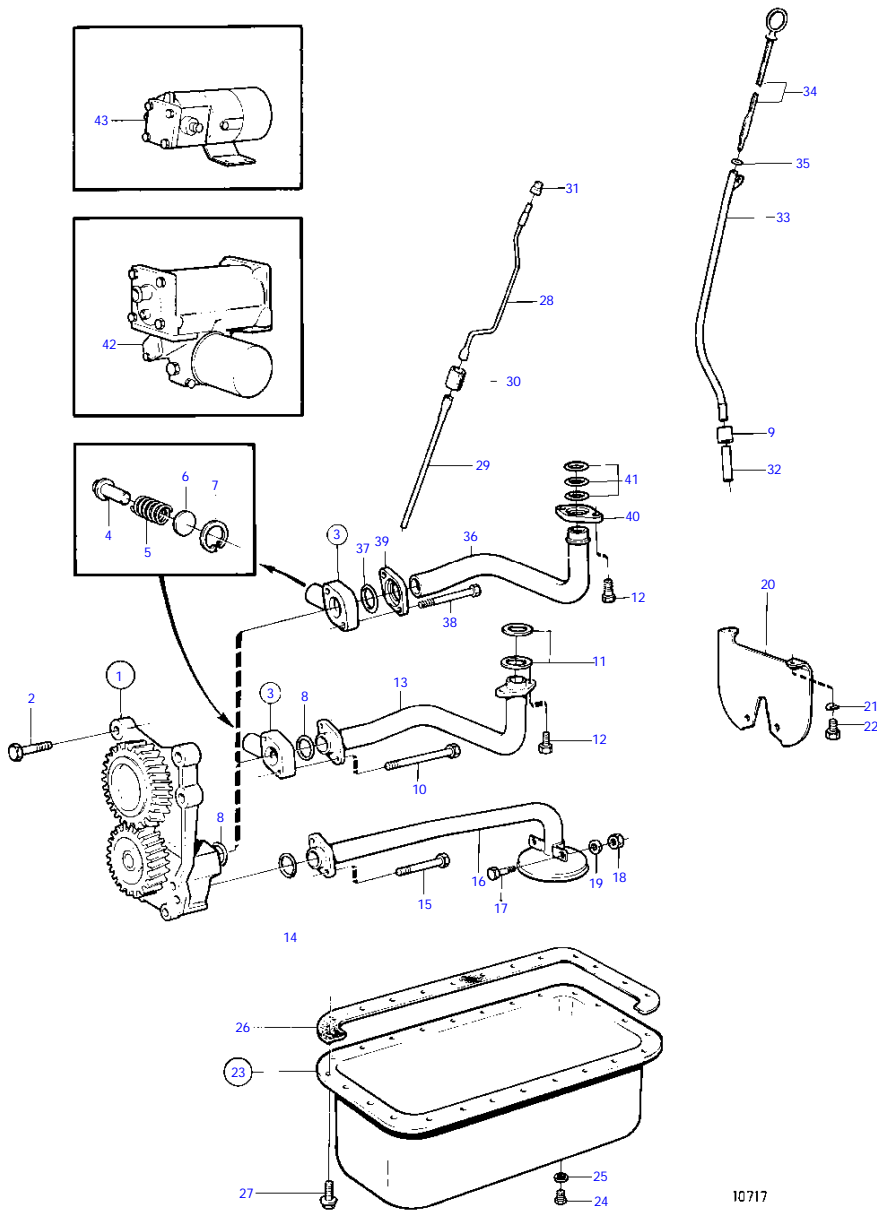
TMD31B, TAMD31B, AD31B



TMD31B, TAMD31B, AD31B

REF	PART NO.	QTY	DESCRIPTION	SEE SEC.	NOTES
1	838655	1	Timing gear casing		
2	859039	1	Gasket		
3	946173	3	Flange screw		
	946671	1	Flange screw		
4	838997	1	Bearing spindle		
5	1542061	1	Gear		
6	1542065	1	Thrust washer		
7	965180	3	Flange screw		
8	1542305	1	Gear	19110	
9	1542215	1	Oil pump wheel		
10	955299	4	Hexagon screw		
11	829523	1	Companion flange		
12	838657	1	Gear		
13	859601	1	Hub		
14	965193	1	Flange screw		
15	1542223	1	Washer	19114	
16	1542034	1	Gear	19114	
17	843086	1	Cover	19114	Replaced by 842991
	842991	1	* Cover		
18	1542318	1	* Sealing ring		
19	415311	2	* Guide sleeve		
20	946470	7	Flange screw		L = 35 MM
	948217	1	Flange screw		L = 45 MM
	965179	1	Flange screw		L = 50 MM
	965180	1	Flange screw		L = 60 MM
	965181	5	Flange screw		L = 70 MM
	965182	2	Flange screw		L = 80 MM
	969189	1	Flange screw		L = 85 MM
21	941907	13	Spring washer		
22	859038	1	Gasket		

MD31A



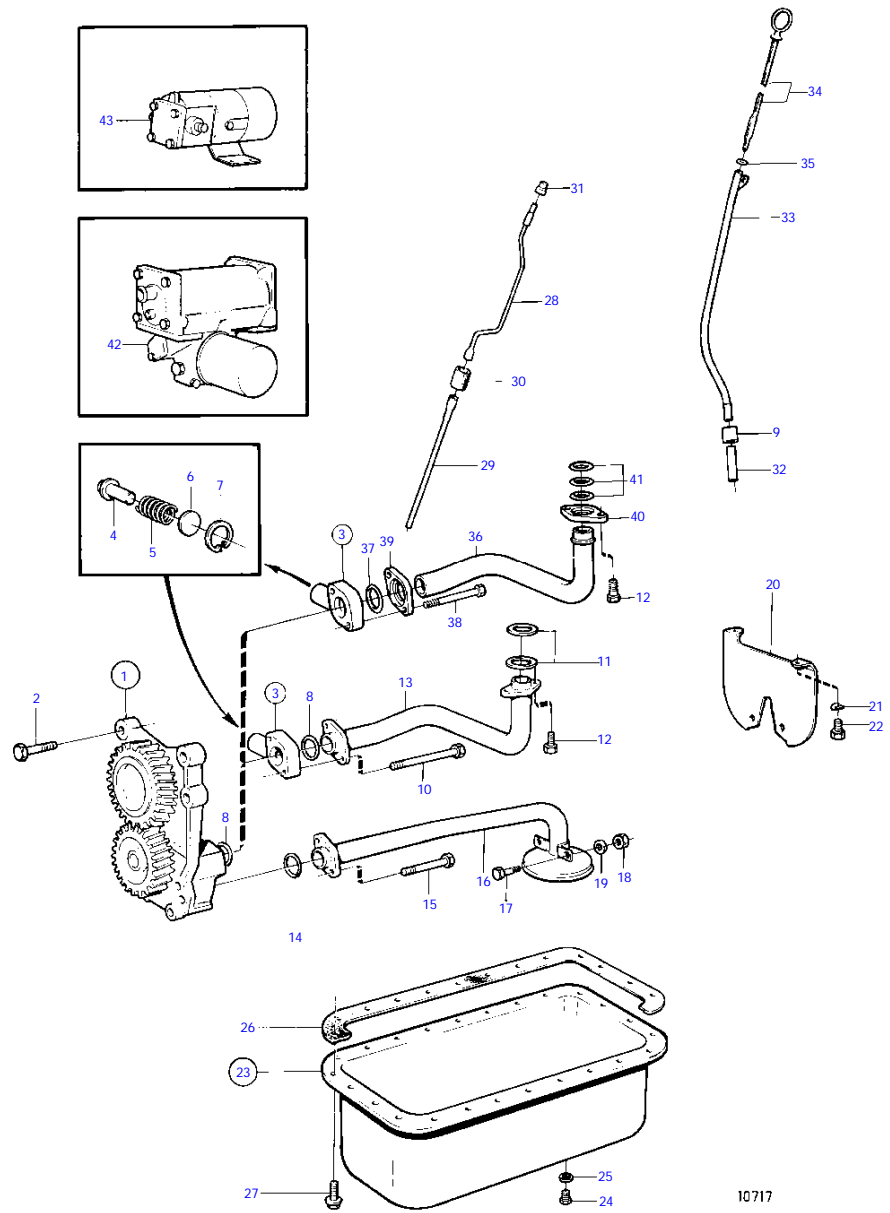
10717



MD31A

REF	PART NO.	QTY	DESCRIPTION	SEE SEC.	NOTES
1	1544125	1	Oil pump, OIL PUMP		REPL BY 860718
	860718	1	* Oil pump	19123	
2	948217	4	Flange screw	19123	
3	1542255	1	Reduction valve		REPL BY 860790
	860790	1	Reduction valve		
			Bulletin 44-32	44-32-EN	Reduction Valve D31, 41, 42
			Bulletin 44-32A	44-32A-EN	Reduction Valve D31, 41, 42
4	471115	1	* Reduction valve		
5	1542257	1	* Spring		
6	948343	1	* Disc		
7	914506	1	* Snap ring		
8	469482	2	Sealing ring		
9	843533	1	Rubber cushion		
10	969189	2	Flange screw		
11	1542385	2	Sealing ring		
12	946173	2	Flange screw		
13	859055	1	Delivery pipe		REPLACED BY 1EA PIPE 860821,1EAEAL RING 1545271, 2EA SCREW 965183,1EA FLANGE 1545272,1EA FLANGE 1542248, AND 3EA SEAL RING 1542385.
14	949657	1	O-ring		
15	965180	2	Flange screw		
16	859054	1	Suction pipe		(858067)
17	946173	2	Flange screw		
18	948645	2	Flange lock nut		
19	960141	2	Washer		
20	859587	1	Baffle plate		
21	942385	2	Disc spring		
22	944926	2	Flange screw		
23	845887	1	Sump		
24	948187	1	* Plug		
25	18818	1	* Gasket		
26	860684	1	Gasket		(1544124)
27	946440	26	Flange screw		
28	838794	1	Oil scavenging pipe		
29	846007	1	Tube		
30	843533	1	Rubber cushion		
31	943835	1	Plug		
32	843692	1	Tube		
33	858685	1	Tube		
34	838800	1	Oil dipstick		
35	949187	1	* O-ring		
36	860821	1	Delivery pipe		
37	1545271	1	Sealing ring		
38	965183	2	Flange screw		
39	1545272	1	Flange		
40	1542248	1	Flange		
41	1542385	3	Sealing ring		
42		X	OIL FILTER AND INSTALLATION COMPONENTS	19124	
43		X	* EL. OILSUMP PUMP		SEE GROUP 9

TMD31A



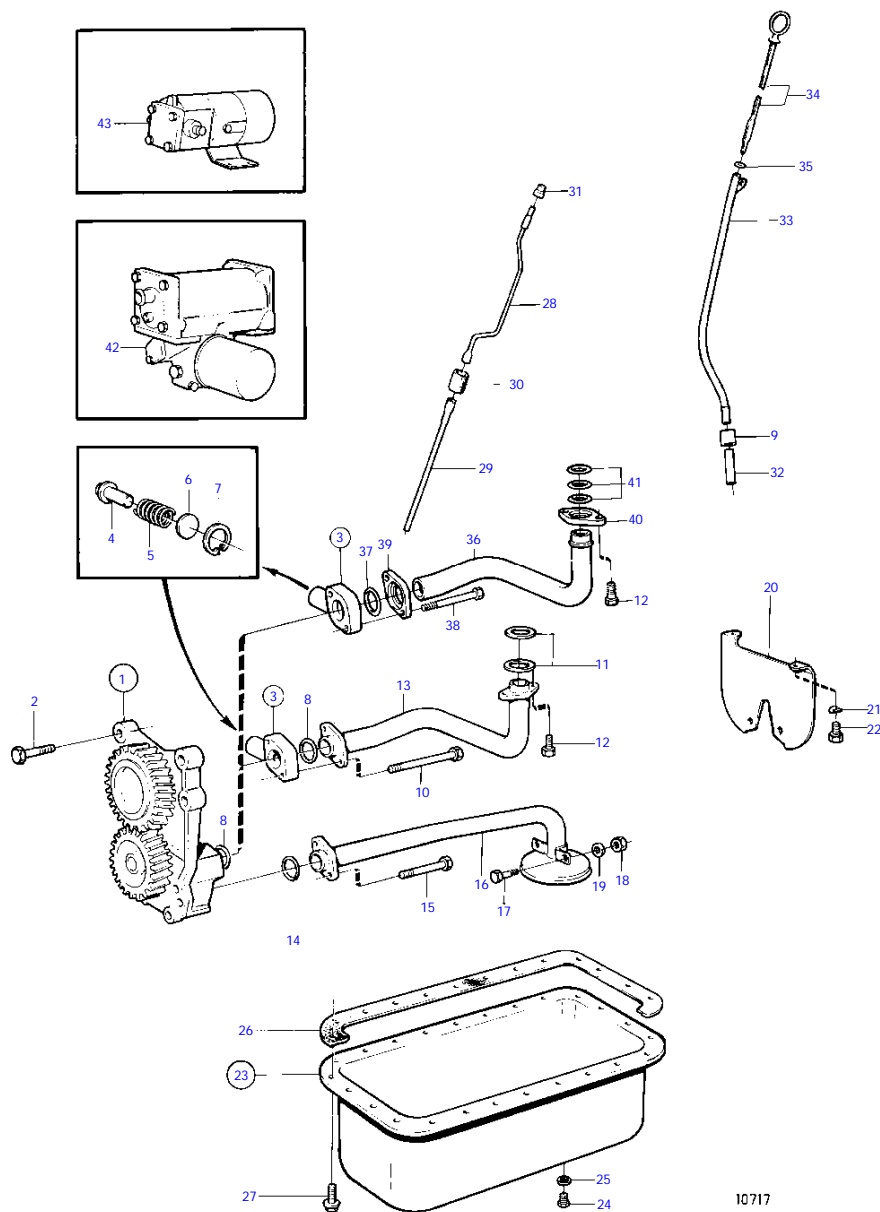
10717



TMD31A

REF	PART NO.	QTY	DESCRIPTION	SEE SEC.	NOTES
1	1544125	1	Oil pump, OIL PUMP		REPL BY 860718
	860718	1	Oil pump		
2	948217	4	Flange screw		
3	1542255	1	Reduction valve		REPL BY 860790
	860790	1	Reduction valve		
			Bulletin 44-32	44-32-EN	Reduction Valve D31, 41, 42
			Bulletin 44-32A	44-32A-EN	Reduction Valve D31, 41, 42
4	471115	1	* Reduction valve		
5	1542257	1	* Spring		
6	948343	1	* Disc		
7	914506	1	* Snap ring		
8	469482	2	Sealing ring		
9	843533	1	Rubber cushion		
10	969189	2	Flange screw		
11	1542385	2	Sealing ring		
12	946173	2	Flange screw		
13	859055	1	Delivery pipe		REPLACED BY 1EA PIPE 860821,1EAEAL RING 1545271, 2EA SCREW 965183,1EA FLANGE 1545272,1EA FLANGE 1542248, AND 3EA SEAL RING 1542385.
14	949657	1	O-ring		
15	965180	2	Flange screw		
16	859054	1	Suction pipe		(858067)
17	946173	2	Flange screw		
18	948645	2	Flange lock nut		
19	960141	2	Washer		
20	859587	1	Baffle plate		
21	942385	2	Disc spring		
22	944926	2	Flange screw		
23	845887	1	Sump		
24	948187	1	* Plug		
25	18818	1	* Gasket		
26	860684	1	Gasket		(1544124)
27	946440	26	Flange screw		
28	838794	1	Oil scavenging pipe		
29	846007	1	Tube		
30	843533	1	Rubber cushion		
31	943835	1	Plug		
32	843692	1	Tube		
33	838793	1	Tube		
34	838800	1	Oil dipstick		
35	949187	1	* O-ring		
36	860821	1	Delivery pipe		
37	1545271	1	Sealing ring		
38	965183	2	Flange screw		
39	1545272	1	Flange		
40	1542248	1	Flange		
41	1542385	3	Sealing ring		
42		X	OIL FILTER AND INSTALLATION COMPONENTS	19124	
43		X	* EL. OILSUMP PUMP		SEE GROUP 9

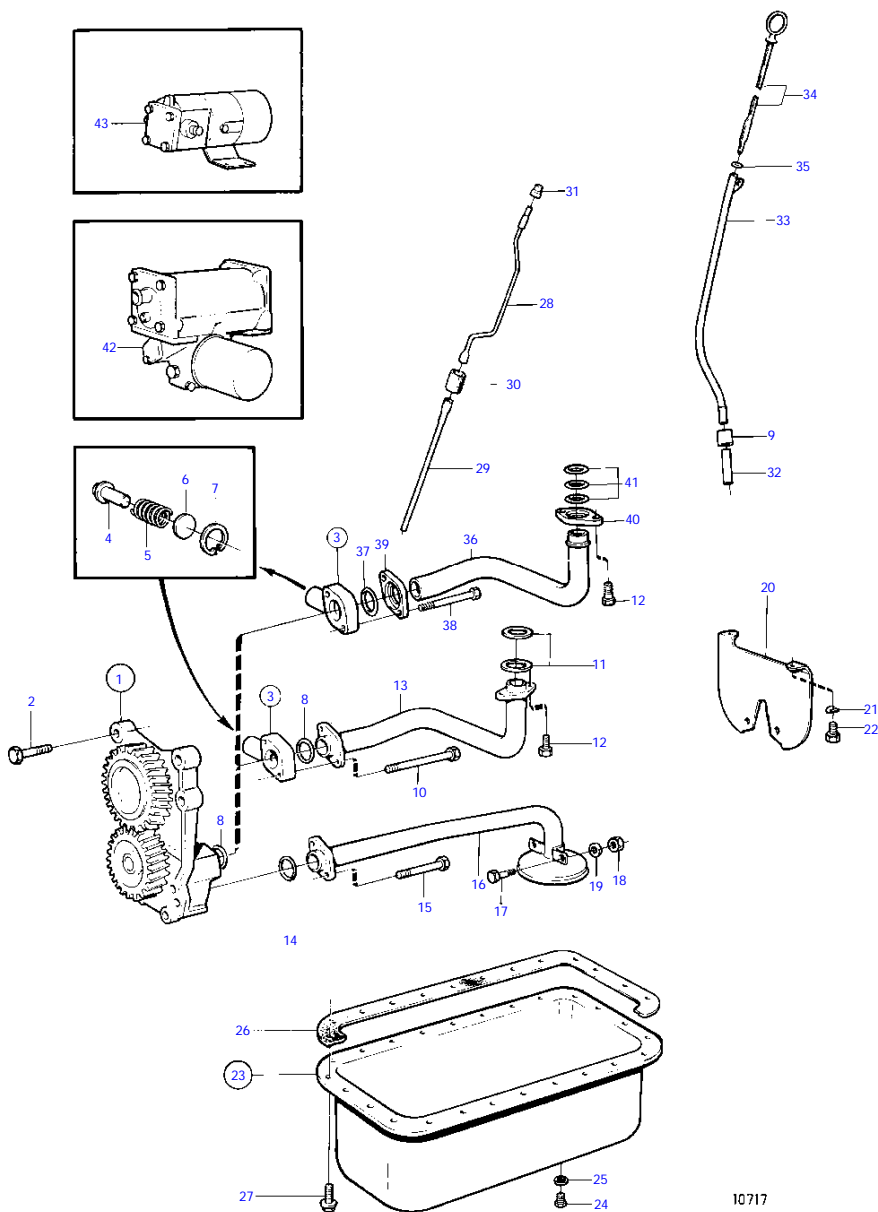
TAMD31A



10717

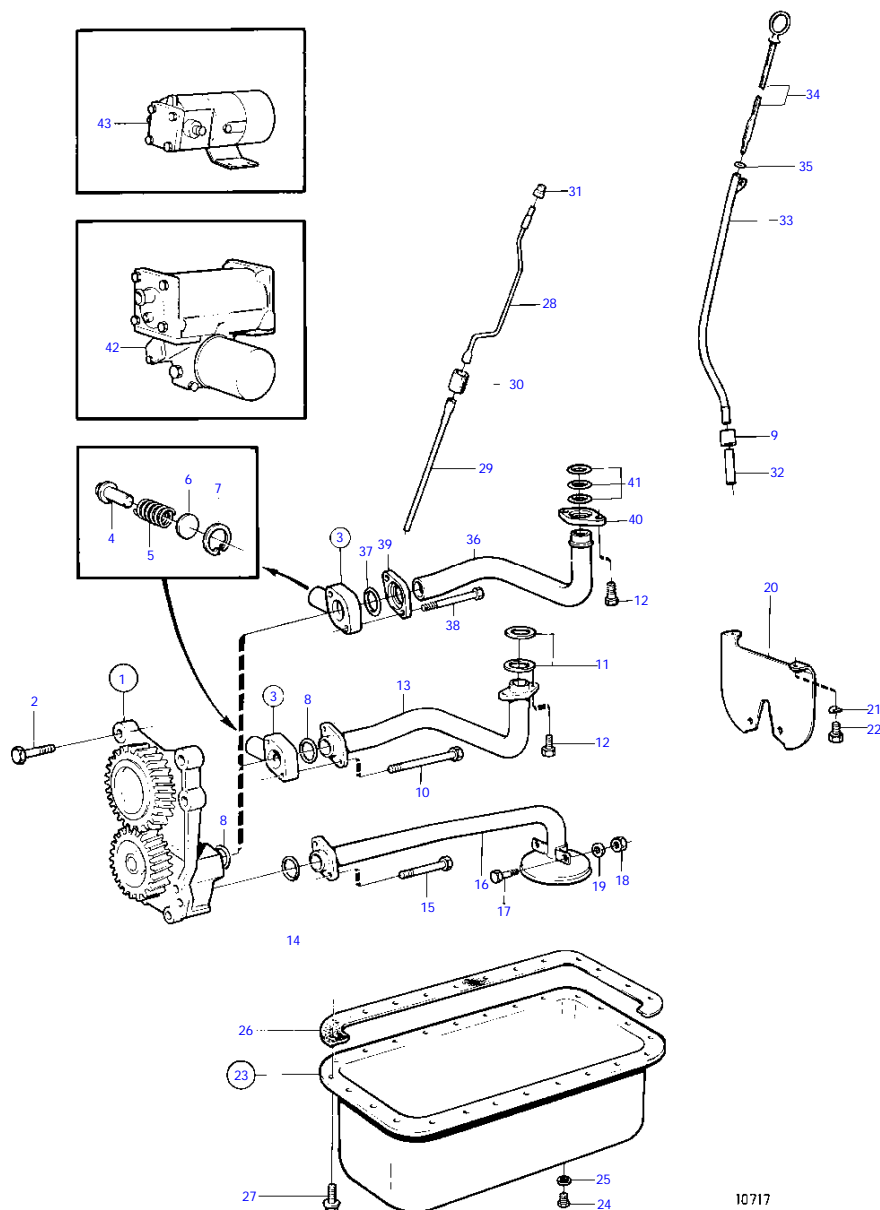
TAMD31A

REF	PART NO.	QTY	DESCRIPTION	SEE SEC.	NOTES
1	1544125	1	Oil pump, OIL PUMP		REPL BY 860718
	860718	1	Oil pump		
2	948217	4	Flange screw		
3	1542255	1	Reduction valve		REPL BY 860790
	860790	1	Reduction valve		
			Bulletin 44-32	44-32-EN	Reduction Valve D31, 41, 42
			Bulletin 44-32A	44-32A-EN	Reduction Valve D31, 41, 42
4	471115	1	* Reduction valve		
5	1542257	1	* Spring		
6	948343	1	* Disc		
7	914506	1	* Snap ring		
8	469482	2	Sealing ring		
9	843533	1	Rubber cushion		
10	969189	2	Flange screw		
11	1542385	2	Sealing ring		
12	946173	2	Flange screw		
13	859055	1	Delivery pipe		REPLACED BY 1EA PIPE 860821,1EAEAL RING 1545271, 2EA SCREW 965183,1EA FLANGE 1545272,1EA FLANGE 1542248, AND 3EA SEAL RING 1542385.
14	949657	1	O-ring		
15	965180	2	Flange screw		
16	859054	1	Suction pipe		(858067)
17	946173	2	Flange screw		
18	948645	2	Flange lock nut		
19	960141	2	Washer		
20	859587	1	Baffle plate		
21	942385	2	Disc spring		
22	944926	2	Flange screw		
23	845887	1	Sump		
24	948187	1	* Plug		
25	18818	1	* Gasket		
26	860684	1	Gasket		(1544124)
27	946440	26	Flange screw		
28	838794	1	Oil scavenging pipe		
29	846007	1	Tube		
30	843533	1	Rubber cushion		
31	943835	1	Plug		
32	843692	1	Tube		
33	838793	1	Tube		
34	838800	1	Oil dipstick		
35	949187	1	* O-ring		
36	860821	1	Delivery pipe		
37	1545271	1	Sealing ring		
38	965183	2	Flange screw		
39	1545272	1	Flange		
40	1542248	1	Flange		
41	1542385	3	Sealing ring		
42		X	OIL FILTER AND INSTALLATION COMPONENTS	19124	
43		X	* EL. OILSUMP PUMP		SEE GROUP 9



REF	PART NO.	QTY	DESCRIPTION	SEE SEC.	NOTES
1	1544125	1	Oil pump		
			*	19123	
	860718	1	Oil pump		
			*	19123	
2	948217	4	Flange screw		
3	1542255	1	Reduction valve		REPL BY 860790
	860790	1	Reduction valve		
			Bulletin 44-32	44-32-EN	Reduction Valve D31, 41, 42
			Bulletin 44-32A	44-32A-EN	Reduction Valve D31, 41, 42
4	471115	1	* Reduction valve		
5	1542257	1	* Spring		
6	948343	1	* Disc		
7	914506	1	* Snap ring		
8	469482	2	Sealing ring		
9	843533	1	Rubber cushion		
10	969189	2	Flange screw		
11	1542385	2	Sealing ring		
12	946173	2	Flange screw		
13	859055	1	Delivery pipe		REPLACED BY 1EA PIPE 860821,1EAEAL RING 1545271, 2EA SCREW 965183,1EA FLANGE 1545272,1EA FLANGE 1542248, AND 3EA SEAL RING 1542385.
14	949657	1	O-ring		
15	965180	2	Flange screw		
16	859054	1	Suction pipe		
17	946173	2	Flange screw		
18	948645	2	Flange lock nut		
19	960141	2	Washer		
20	859587	1	Baffle plate		
21	942385	2	Disc spring		
22	944926	2	Flange screw		
23	845887	1	Sump		
24	948187	1	* Plug		
25	18818	1	* Gasket		
26	860684	1	Gasket		
27	946440	26	Flange screw		
28	838794	1	Oil scavenging pipe		
29	846007	1	Tube		
30	843533	1	Rubber cushion		
31	943835	1	Plug		
32	843692	1	Tube		
33	838793	1	Tube		
34	838800	1	Oil dipstick		
35	949187	1	* O-ring		
36	860821	1	Delivery pipe		
37	1545271	1	Sealing ring		
38	965183	2	Flange screw		
39	1545272	1	Flange		
40	1542248	1	Flange		
41	1542385	3	Sealing ring		
42		X	OIL FILTER AND INSTALLATION COMPONENTS	19125	
43		X	* EL. OIL SUMP PUMP		SEE GROUP 9

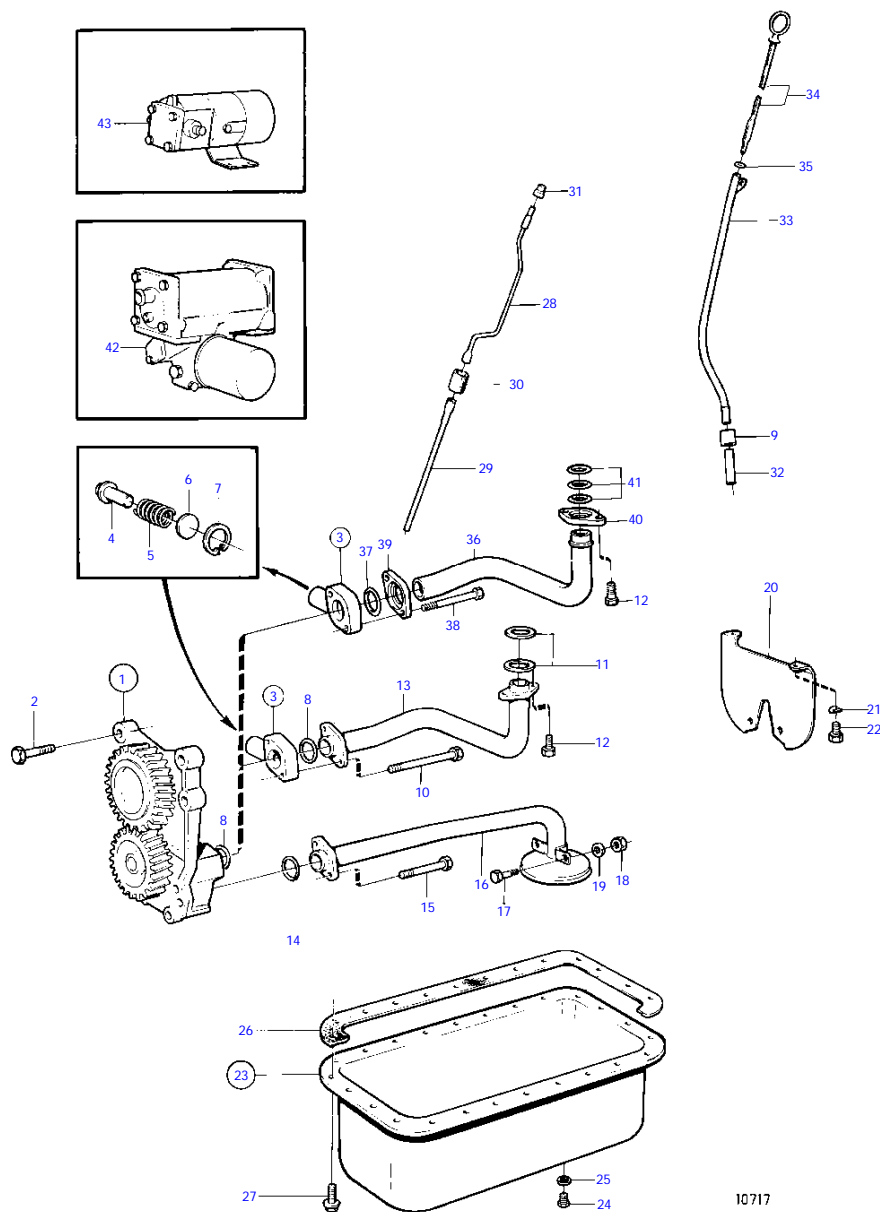
AQAD31A, AD31A



AQAD31A, AD31A

REF	PART NO.	QTY	DESCRIPTION	SEE SEC.	NOTES
1	1544125	1	Oil pump, OIL PUMP		REPL BY 860718
	860718	1	* Oil pump	19123	
2	948217	4	Flange screw		
3	1542255	1	Reduction valve		REPL BY 860790
	860790	1	Reduction valve		
			Bulletin 44-32	44-32-EN	Reduction Valve D31, 41, 42
			Bulletin 44-32A	44-32A-EN	Reduction Valve D31, 41, 42
4	471115	1	* Reduction valve		
5	1542257	1	* Spring		
6	948343	1	* Disc		
7	914506	1	* Snap ring		
8	469482	2	Sealing ring		
9	843533	1	Rubber cushion		
10	969189	2	Flange screw		
11	1542385	2	Sealing ring		
12	946173	2	Flange screw		
13	859055	1	Delivery pipe		REPLACED BY 1EA PIPE 860821,1EAEAL RING 1545271, 2EA SCREW 965183,1EA FLANGE 1545272,1EA FLANGE 1542248, AND 3EA SEAL RING 1542385.
14	949657	1	O-ring		
15	965180	2	Flange screw		
16	859054	1	Suction pipe		(858067)
17	946173	2	Flange screw		
18	948645	2	Flange lock nut		
19	960141	2	Washer		
20	859587	1	Baffle plate		
21	942385	2	Disc spring		
22	944926	2	Flange screw		
23	845887	1	Sump		
24	948187	1	* Plug		
25	18818	1	* Gasket		
26	860684	1	Gasket		(1544124)
27	946440	26	Flange screw		
28	838794	1	Oil scavenging pipe		
29	846007	1	Tube		
30	843533	1	Rubber cushion		
31	943835	1	Plug		
32	843692	1	Tube		
33	838793	1	Tube		
34	838800	1	Oil dipstick		
35	949187	1	* O-ring		
36	860821	1	Delivery pipe		
37	1545271	1	Sealing ring		
38	965183	2	Flange screw		
39	1545272	1	Flange		
40	1542248	1	Flange		
41	1542235	3	Pulley		
42		X	OIL FILTER AND INSTALLATION COMPONENTS	19126	
43		X	* EL. OILSUMP PUMP		SEE GROUP 9

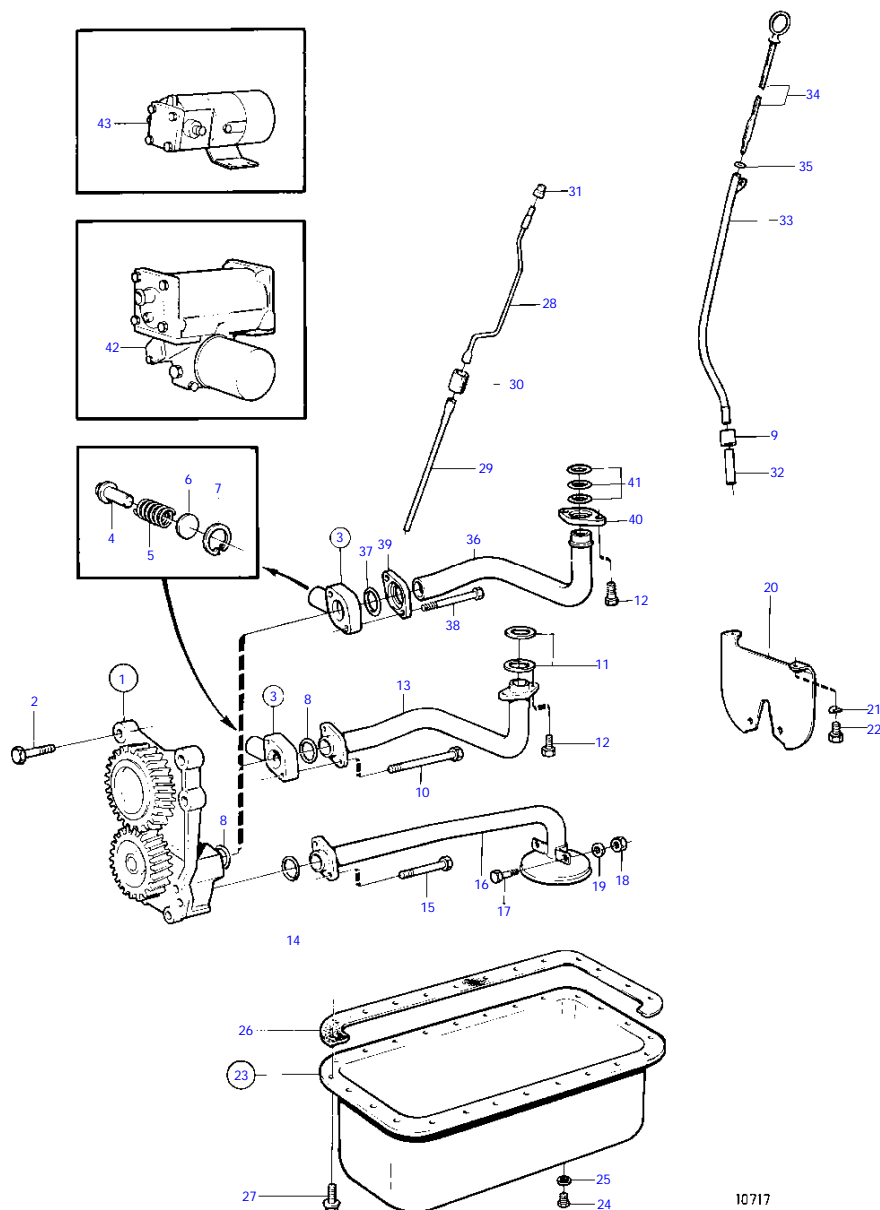
TMD31B, TAMD31B, AD31B



TMD31B, TAMD31B, AD31B

REF	PART NO.	QTY	DESCRIPTION	SEE SEC.	NOTES
1	1544125	1	Oil pump		
	860718	1	Oil pump	19123	SN220315967-
2	948217	4	Flange screw		
3	1542255	1	Reduction valve		REPL BY 860790
	860790	1	Reduction valve		
			Bulletin 44-32	44-32-EN	Reduction Valve D31, 41, 42
			Bulletin 44-32A	44-32A-EN	Reduction Valve D31, 41, 42
4	471115	1	* Reduction valve		
5	1542257	1	* Spring		
6	948343	1	* Disc		
7	914506	1	* Snap ring		
8	469482	2	Sealing ring		
9	843533	1	Rubber cushion		
10	969189	2	Flange screw		
11	1542385	2	Sealing ring		
12	946173	2	Flange screw		
13	859055	1	Delivery pipe		REPLACED BY 1EA PIPE 860821,1EAEAL RING 1545271, 2EA SCREW 965183,1EA FLANGE 1545272,1EA FLANGE 1542248, AND 3EA SEAL RING 1542385., SN-2203116798
14	949657	1	O-ring		
15	965180	2	Flange screw		
16	859054	1	Suction pipe		
17	946173	2	Flange screw		
18					
19	960141	2	Washer		
20	859587	1	Baffle plate		
21	942385	2	Disc spring		
22	944926	2	Flange screw		
23	845887	1	Sump		
24	948187	1	Plug		
25	18818	1	Gasket		
26	860684	1	Gasket		
27	946440	26	Flange screw		
28	838794	1	Oil scavenging pipe		
29	846007	1	Tube		
30	843533	1	Rubber cushion		
31	943835	1	Plug		
32	843692	1	Tube		
33	838793	1	Tube		
34	838800	1	Oil dipstick		
35	949187	1	* O-ring		
36	860821	1	Delivery pipe		SN2203116799-
37	1545271	1	Sealing ring		
38	965183	2	Flange screw		
39	1545272	1	Flange		
42		X	OIL FILTER AND INSTALLATION COMPONENTS	19127	
40	1542248	1	Flange		
41	1542385	3	Sealing ring		
43		X	* EL. OIL SUMP PUMP		SEE GROUP 9

TMD31B, TAMD31B, AD31B

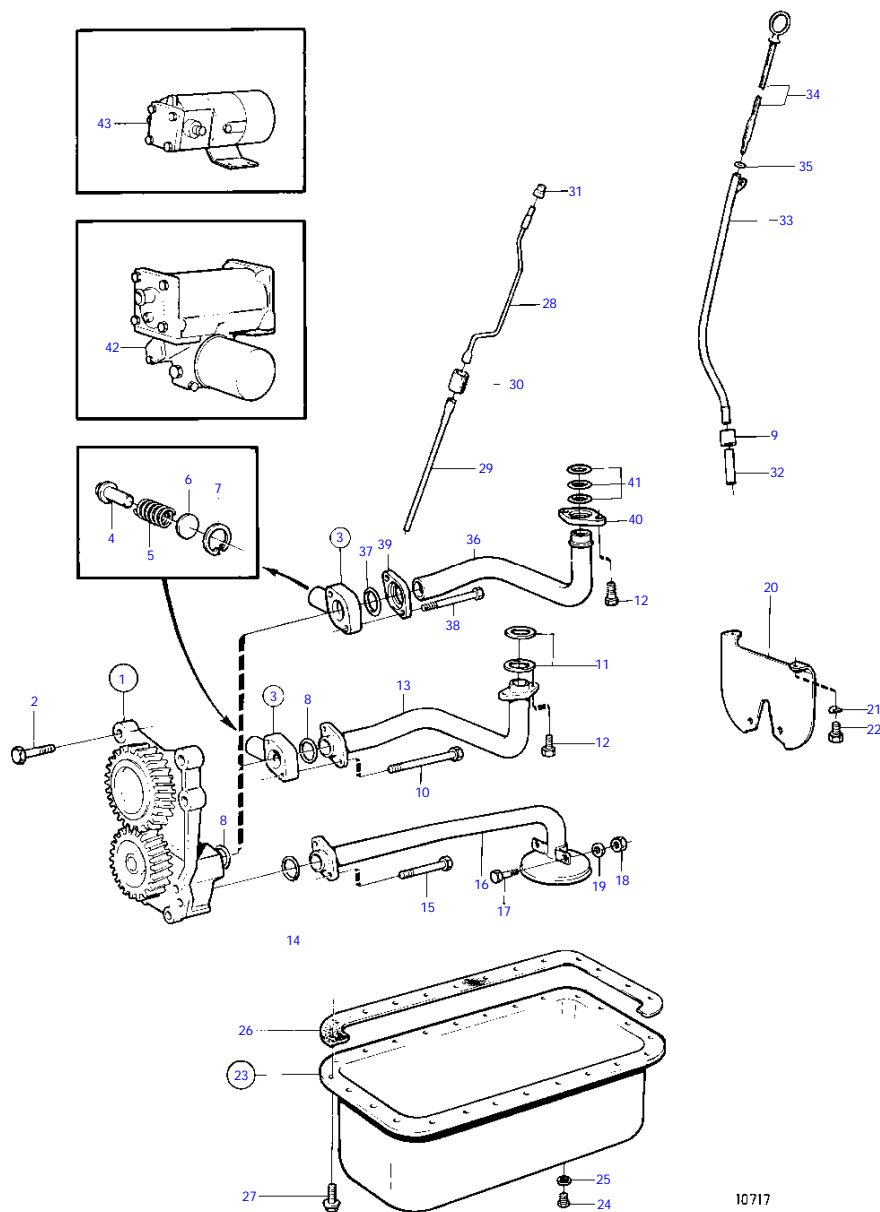


TMD31B, TAMD31B, AD31B

REF	QTY	DESCRIPTION	SEE SEC.	NOTES
42	X	OIL FILTER AND INSTALLATION COMPONENTS	19127	
43	X	EL. OIL SUMP PUMP		SEE GROUP 9



TMD31B, TAMD31B, AD31B

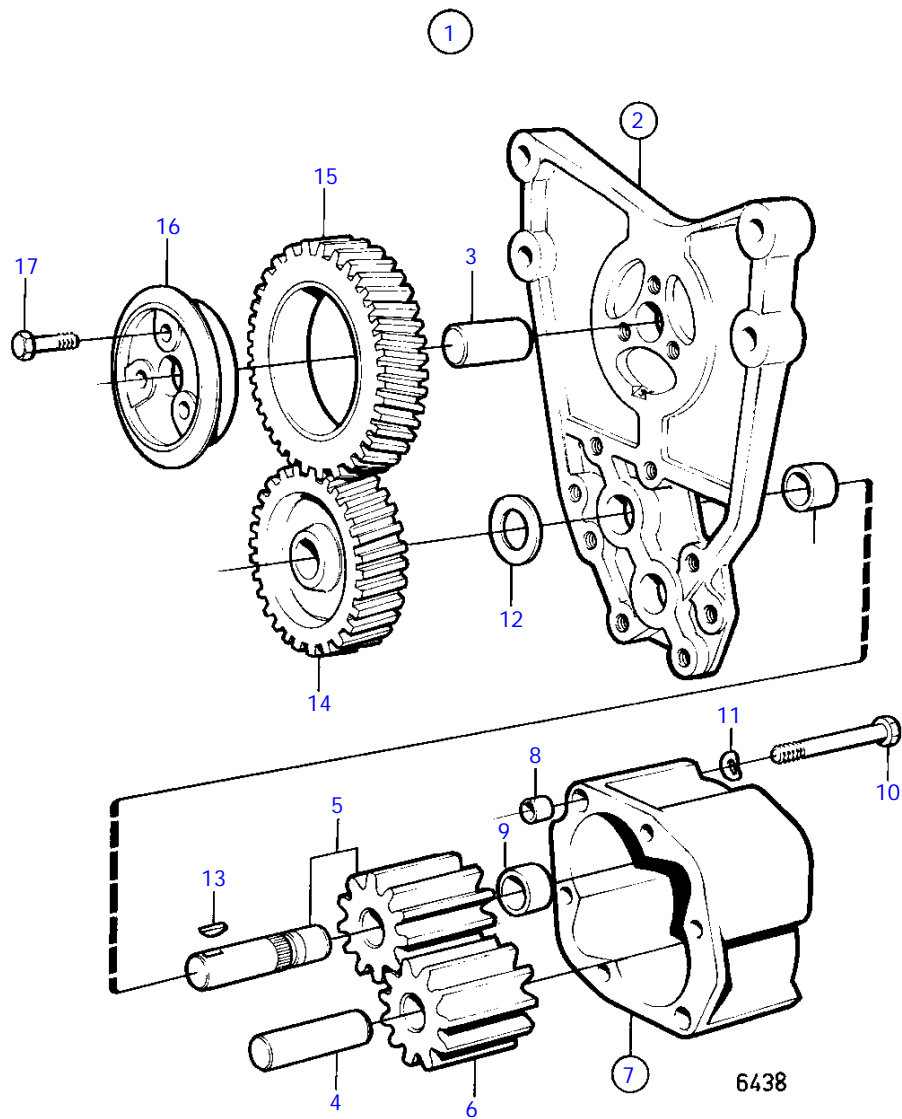


10717

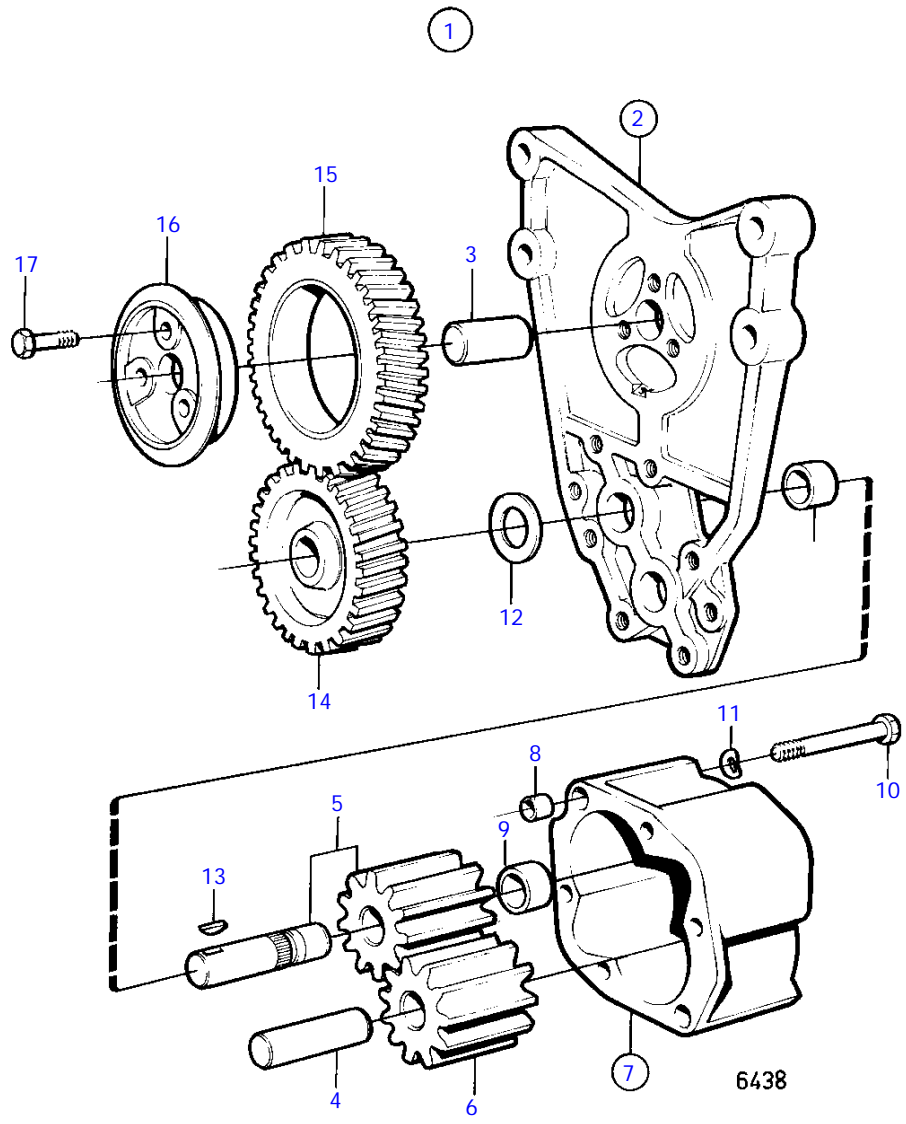
TMD31B, TAMD31B, AD31B

REF	QTY	DESCRIPTION	SEE SEC.	NOTES
42	X	OIL FILTER AND INSTALLATION COMPONENTS	19127	
43	X	EL. OIL SUMP PUMP		SEE GROUP 9



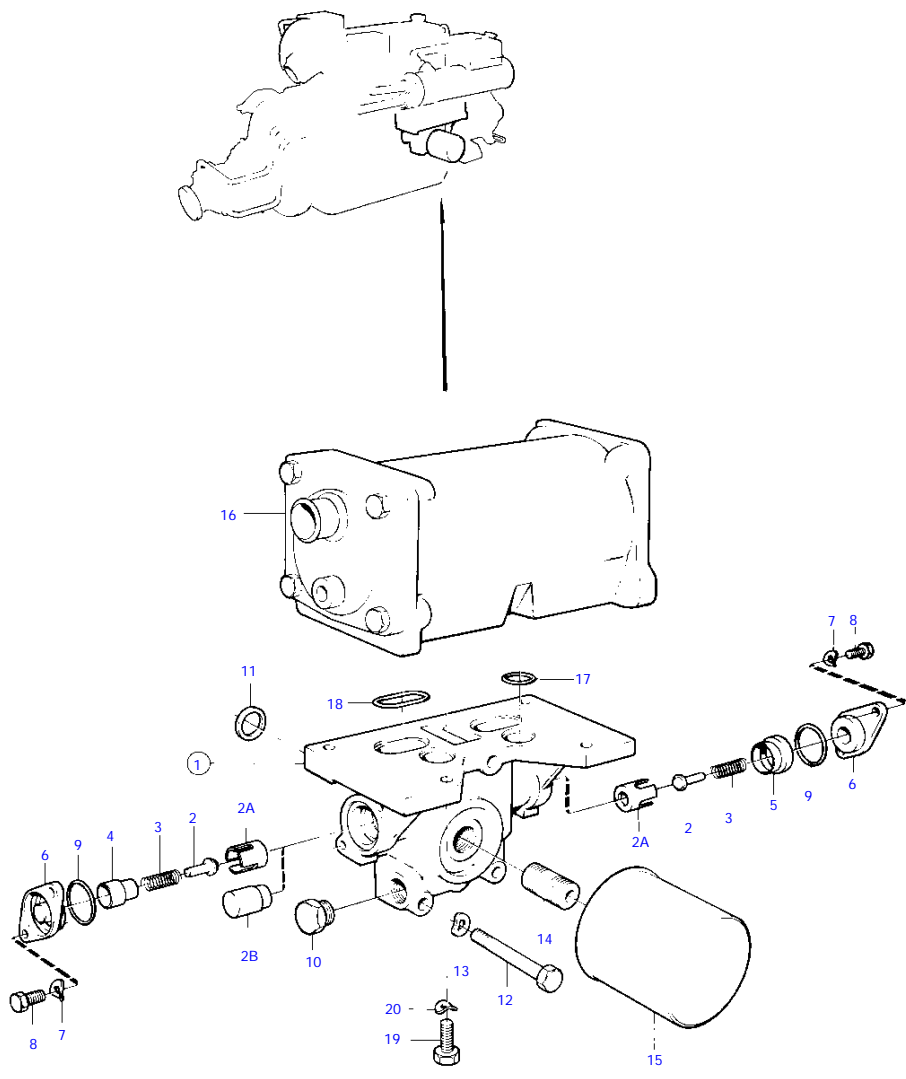


REF	PART NO.	QTY	DESCRIPTION	NOTES
1	1544125	1	Oil pump	
2	1544126	1	* Bracket	OBSOLETE PART
3	950614	1	* * Pin	OBSOLETE PART
4	1544127	1	* * Pin	
5	1544128	1	* Shaft	
6	1544130	1	* Oil pump wheel	
7	1544131	1	* Housing	OBSOLETE PART
8	401146	2	* * Guide sleeve	
9	470234	1	* * Bushing	
10	948217	2	* Flange screw	
11	941907	2	* Spring washer	
12	424133	1	* Washer	
13	910115	1	* Woodruff key	
14	1542214	1	* Gear	
15	1542215	1	* Oil pump wheel	
16	1542218	1	* Bearing sleeve	
17	946470	3	* Flange screw	



REF	PART NO.	QTY	DESCRIPTION	NOTES
1	860718	1	Oil pump	
2	1544126	1	* Bracket	OBSOLETE PART
3	950614	1	* * Pin	OBSOLETE PART
4	1544127	1	* * Pin	
5	860719	1	* Shaft	OBSOLETE PART
6	860720	1	* Gear	OBSOLETE PART
7	1544131	1	* Housing	OBSOLETE PART
8	401146	2	* * Guide sleeve	
9	470234	1	* * Bushing	
10	948217	2	* Flange screw	
11	941907	2	* Spring washer	
12	424133	1	* Washer	
13	910115	1	* Woodruff key	
14	1542214	1	* Gear	
15	1542215	1	* Oil pump wheel	
16	1542218	1	* Bearing sleeve	
17	946470	3	* Flange screw	

MD31A



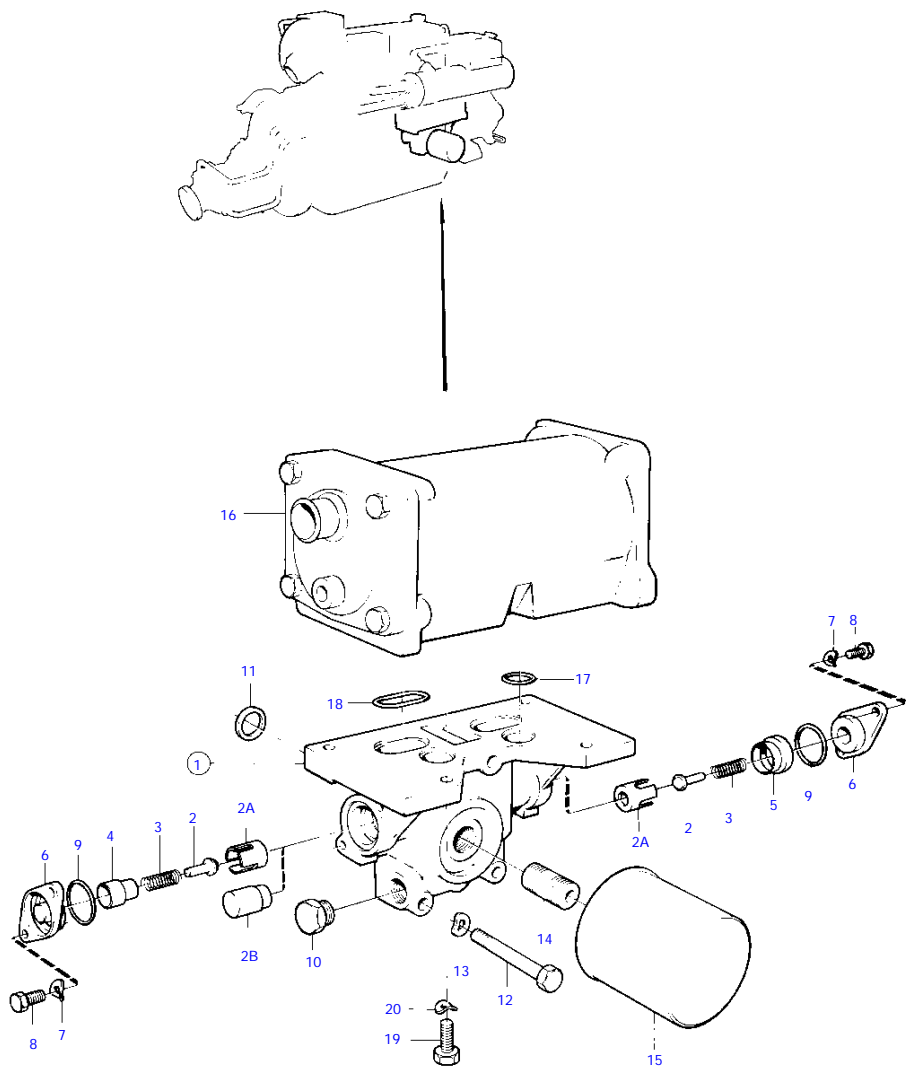
8005



MD31A

REF	PART NO.	QTY	DESCRIPTION	NOTES
1	858244	1	Oil filter	OBSOLETE PART
2	471085	1	* Valve cone	
2A	1542265	1	* Valve seat	
2B		1	* PLUG	
3	468087	1	* Spring	
5	1542266	1	* Sleeve	
6	1542267	2	* Cover	
7	941906	4	* Spring washer	EARLY TYPE
8	955271	4	* Hexagon screw	EARLY TYPE
	946544	4	* Flange screw	LATE TYPE
9	925065	2	* O-ring	
10	952077	1	* Plug	
11	469483	4	Sealing ring	
12	965186	3	Flange screw	
13	941907	3	Spring washer	
14	846015	1	Nipple	
15	1266286	1	Oil filter	
16		1	OIL COOLER	SEE GROUP 2B
17	469483	2	Sealing ring	
18	859086	2	Sealing ring	
19	946671	4	Flange screw	
20	941907	4	Spring washer	

TMD31A

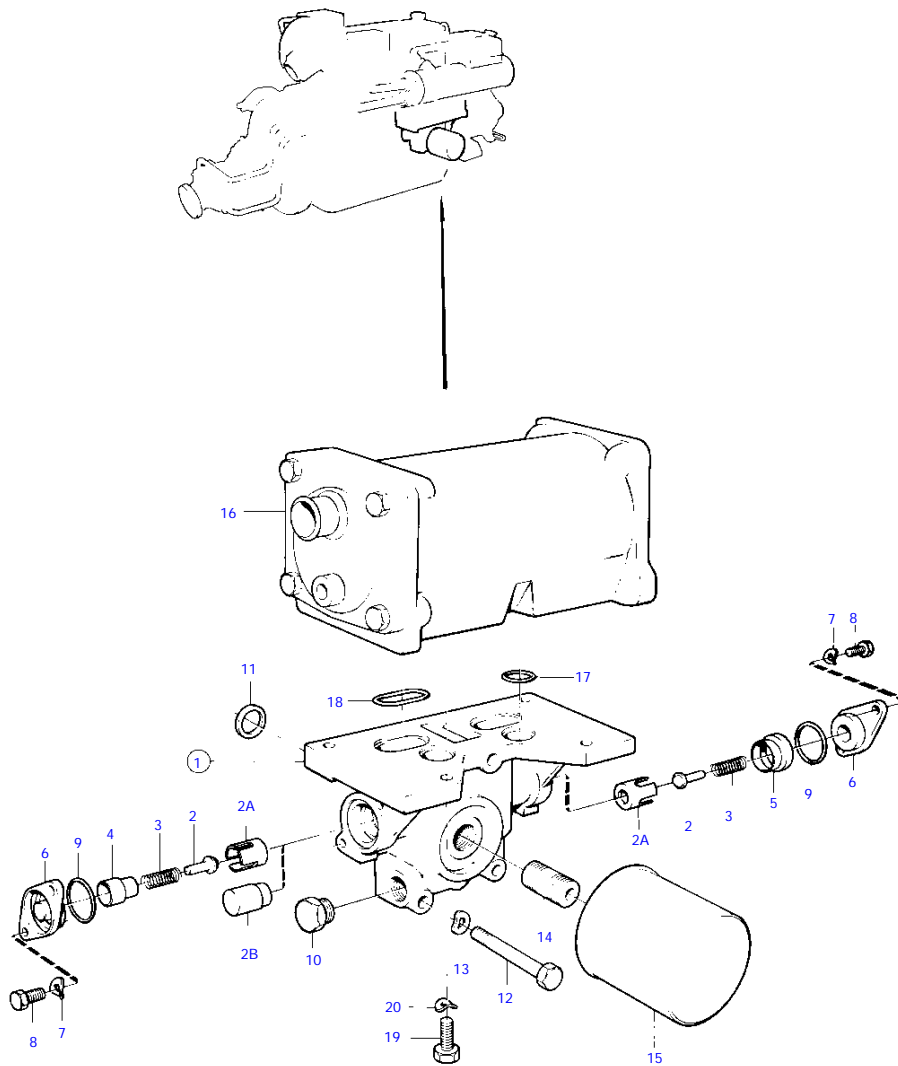


8005

TMD31A

REF	PART NO.	QTY	DESCRIPTION	NOTES
1	860608	1	Housing	(858245)
2	471085	2	* Valve cone	
2A	1542265	2	* Valve seat	
3	468087	2	* Spring	
4	1542268	1	* Sleeve	
5	1542266	1	* Sleeve	
6	1542267	2	* Cover	
7	941906	4	* Spring washer	EARLY TYPE
8	955271	4	* Hexagon screw	EARLY TYPE
	946544	4	* Flange screw	LATE TYPE
9	925065	2	* O-ring	
10	952077	1	* Plug	
11	469483	4	Sealing ring	
12	965186	3	Flange screw	
13	941907	3	Spring washer	
14	846015	1	Nipple	
15	1266286	1	Oil filter	
16		1	OIL COOLER	SEE GROUP 2B
17	469483	2	Sealing ring	
18	859086	2	Sealing ring	
19	946671	4	Flange screw	
20	941907	4	Spring washer	

TAMD31A

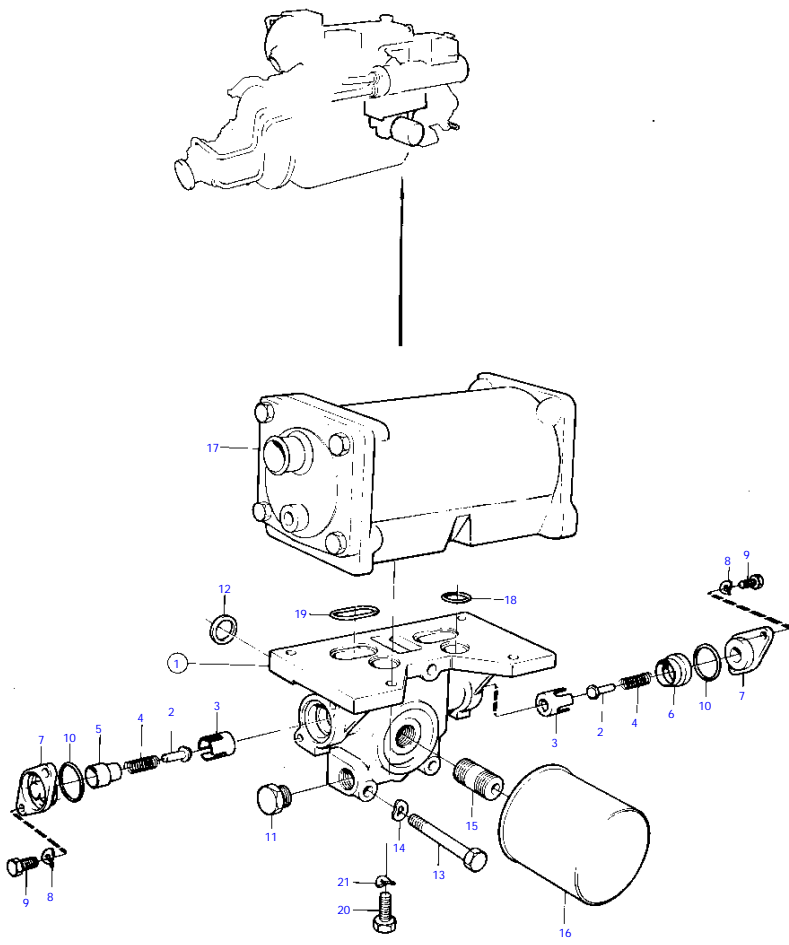


8005

TAMD31A

REF	PART NO.	QTY	DESCRIPTION	NOTES
1	860608	1	Housing	(858245)
2	471085	2	* Valve cone	
2A	1542265	2	* Valve seat	
3	468087	2	* Spring	
4	1542268	1	* Sleeve	
5	1542266	1	* Sleeve	
6	1542267	2	* Cover	
7	941906	4	* Spring washer	EARLY TYPE
8	955271	4	* Hexagon screw	EARLY TYPE
	946544	4	* Flange screw	LATE TYPE
9	925065	2	* O-ring	
10	952077	1	* Plug	
11	469483	4	Sealing ring	
12	965186	3	Flange screw	
13	941907	3	Spring washer	
14	846015	1	Nipple	
15	1266286	1	Oil filter	
16		1	OIL COOLER	SEE GROUP 2B
17	469483	2	Sealing ring	
18	859086	2	Sealing ring	
19	946671	4	Flange screw	
20	941907	4	Spring washer	

TMD31B, TAMD31B, AD31B

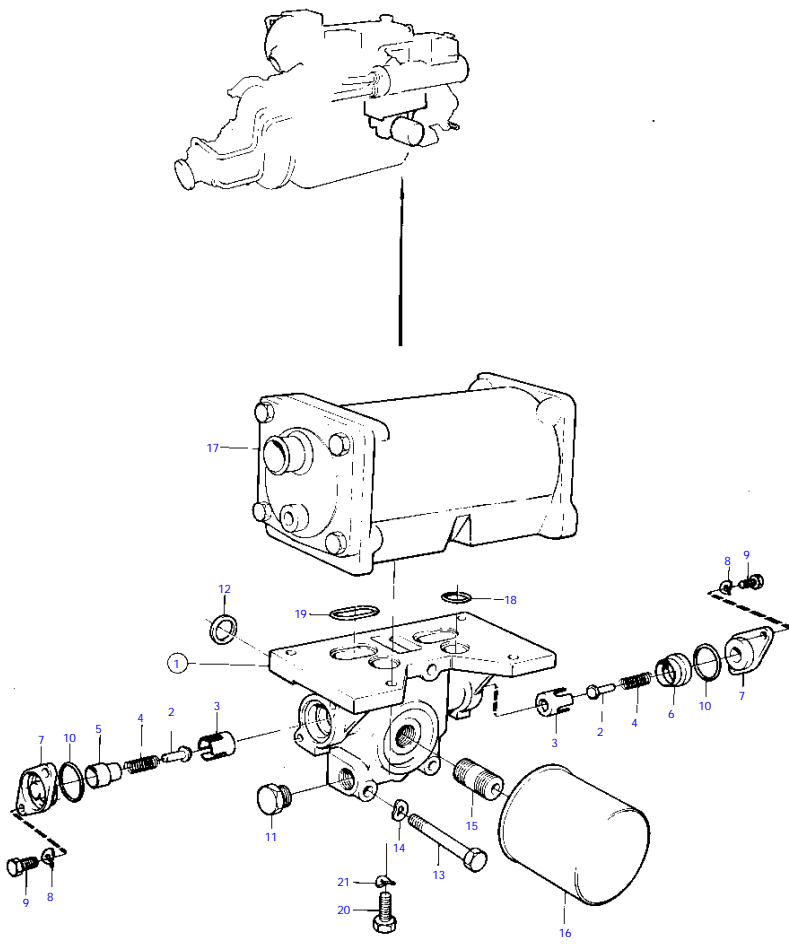


8390



TMD31B, TAMD31B, AD31B

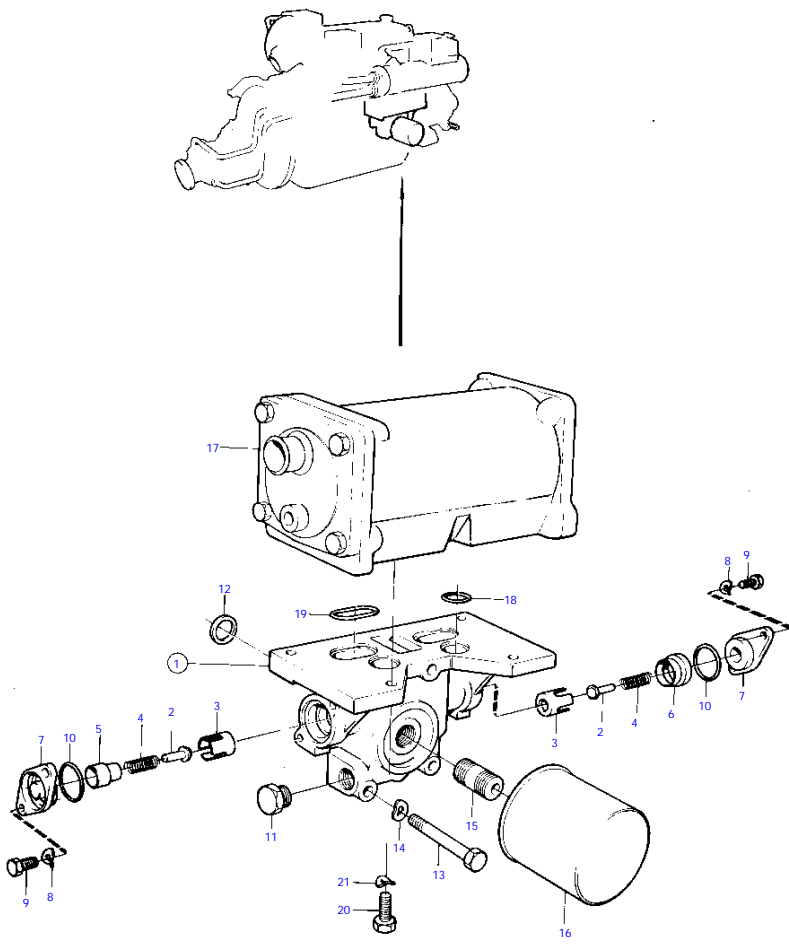
REF	PART NO.	QTY	DESCRIPTION	NOTES
1	860608	1	Housing	
2	471085	2	* Valve cone	
3	1542265	2	* Valve seat	
4	468087	2	* Spring	
5	1542268	1	* Sleeve	
6	1542266	1	* Sleeve	
7	1542267	2	* Cover	
8	941906	4	* Spring washer	EARLY TYPE
9	955271	4	* Hexagon screw	EARLY TYPE
	946544	4	* Flange screw	LATE TYPE
10	925065	2	* O-ring	
11	952077	1	* Plug	
12	469483	4	Sealing ring	
13	965182	3	Flange screw	
14	941907	3	Spring washer	
15	846015	1	Nipple	
16	1266286	1	Oil filter	
17		1	OIL COOLER	SEE GROUP 2B
18	469483	2	Sealing ring	
19	859086	2	Sealing ring	
20	946671	4	Flange screw	
21	941907	4	Spring washer	



8390

REF	PART NO.	QTY	DESCRIPTION	NOTES
1	860608	1	Housing	
2	471085	2	* Valve cone	
3	1542265	2	* Valve seat	
4	468087	2	* Spring	
5	1542268	1	* Sleeve	
6	1542266	1	* Sleeve	
7	1542267	2	* Cover	
8	941906	4	* Spring washer	EARLY TYPE
9	955271	4	* Hexagon screw	EARLY TYPE
	946544	4	* Flange screw	LATE TYPE
10	925065	2	* O-ring	
11	952077	1	* Plug	
12	469483	4	Sealing ring	
13	965182	3	Flange screw	
14	941907	3	Spring washer	
15	846015	1	Nipple	
16	1266286	1	Oil filter	
17		1	OIL COOLER	SEE GROUP 2B
18	469483	2	Sealing ring	
19	859086	2	Sealing ring	
20	946671	4	Flange screw	
21	941907	4	Spring washer	

AQAD31A, AD31A



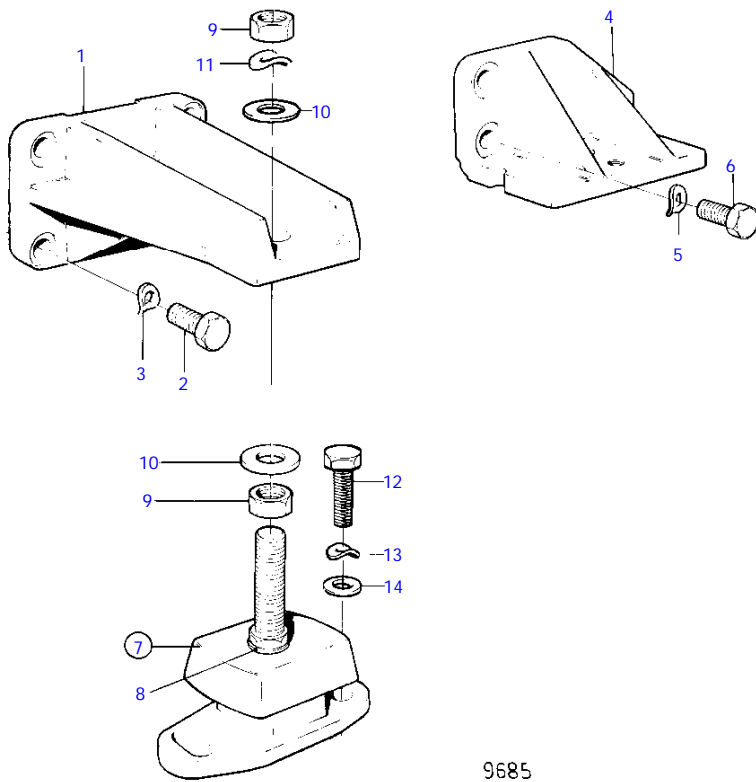
8390



AQAD31A, AD31A

REF	PART NO.	QTY	DESCRIPTION	NOTES
1	860608	1	Housing	(858245)
2	471085	2	* Valve cone	
3	1542265	2	* Valve seat	
4	468087	2	* Spring	
5	1542268	1	* Sleeve	
6	1542266	1	* Sleeve	
7	1542267	2	* Cover	
8	941906	4	* Spring washer	EARLY TYPE
9	955271	4	* Hexagon screw	EARLY TYPE
	946544	4	* Flange screw	LATE TYPE
10	925065	2	* O-ring	
11	952077	1	* Plug	
12	469483	4	Sealing ring	
13	965186	3	Flange screw	
14	941907	3	Spring washer	
15	846015	1	Nipple	
16	1266286	1	Oil filter	
17		1	OIL COOLER	SEE GROUP 2B
18	469483	2	Sealing ring	
19	859086	2	Sealing ring	
20	946671	4	Flange screw	
21	941907	4	Spring washer	

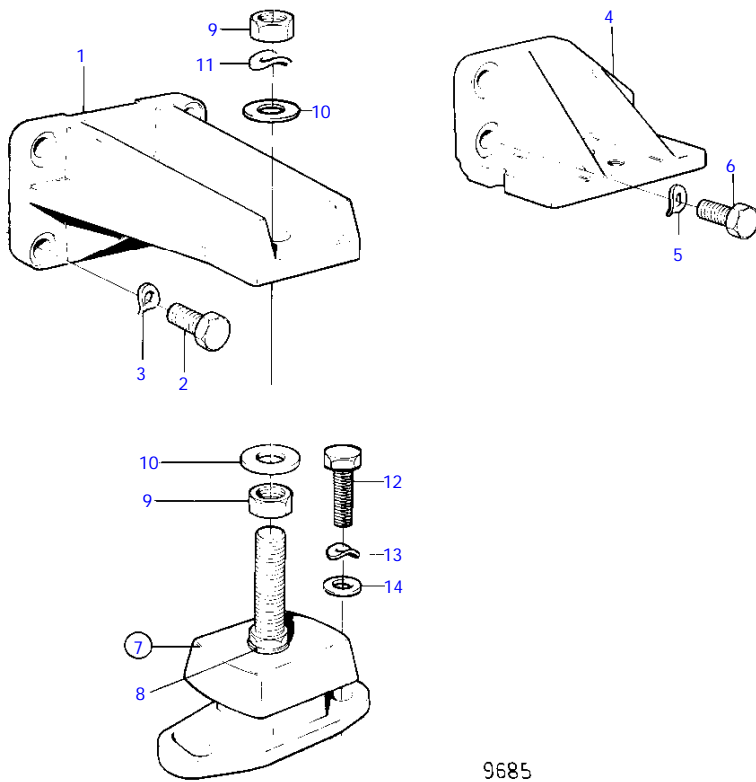
MD31A



MD31A

REF	PART NO.	QTY	DESCRIPTION	SEE SEC.	NOTES
1	860027	2	Engine bracket		FRONT, (829517)
2	965192	6	Flange screw		L = 40 MM
	965193	2	Flange screw		L = 50 MM
3	940280	8	Spring washer		EARLY TYPE
4	859375	1	Engine mountings		REAR, P
	859376	1	Engine mountings		REAR, S.B
5	940280	6	Spring washer		EARLY TYPE
6	966343	6	Flange screw		L = 35 MM
7	846764	4	Rubber element		
			Bulletin 44-26	44-26-EN	Reinforced Rubber Cushion
8	955900	4	Washer		
9	955805	8	Hexagon nut		
10	191940	6	Washer		
	955900	2	Washer		
11	941912	4	Spring washer		
12	970951	8	Hexagon screw		(955321)
13	941908	8	Spring washer		
14	960148	8	Washer		

TMD31A

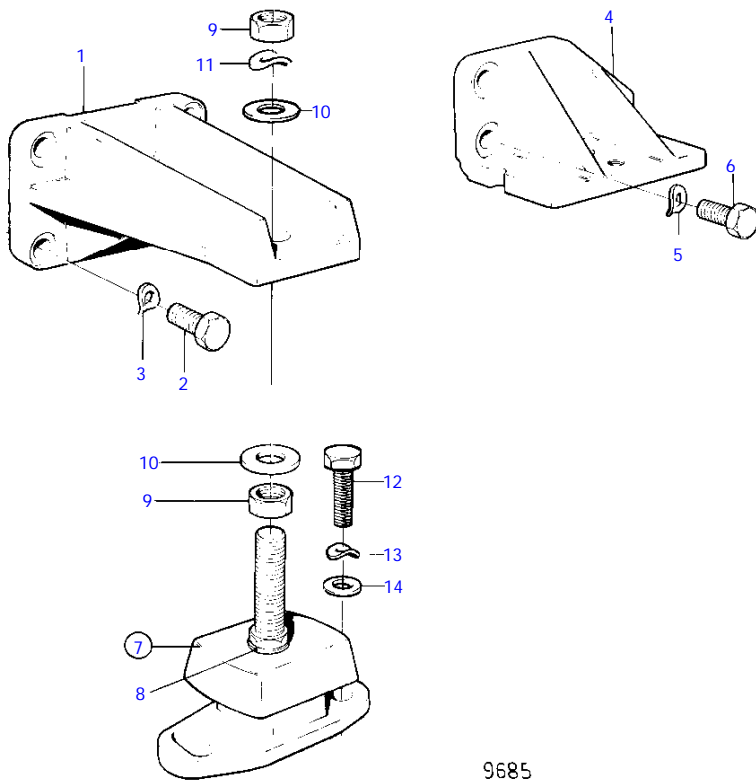


9685

TMD31A

REF	PART NO.	QTY	DESCRIPTION	SEE SEC.	NOTES
1	860027	2	Engine bracket		FRONT, (829517)
2	965192	6	Flange screw		L = 40 MM
	965193	2	Flange screw		L = 50 MM
3	940280	8	Spring washer		EARLY TYPE
4	859375	1	Engine mountings		REAR, P
	859376	1	Engine mountings		REAR, S.B
5	940280	6	Spring washer		EARLY TYPE
6	966343	3	Flange screw		L = 35 MM S.B
	965192	3	Flange screw		L = 40 MM P
7	846764	4	Rubber element		
			Bulletin 44-26	44-26-EN	Reinforced Rubber Cushion
8	955900	4	* Washer		
9	955805	8	Hexagon nut		
10	191940	6	Washer		
	955900	2	Washer		
11	941912	4	Spring washer		
12	970951	8	Hexagon screw		(955321)
13	941908	8	Spring washer		
14	960148	8	Washer		

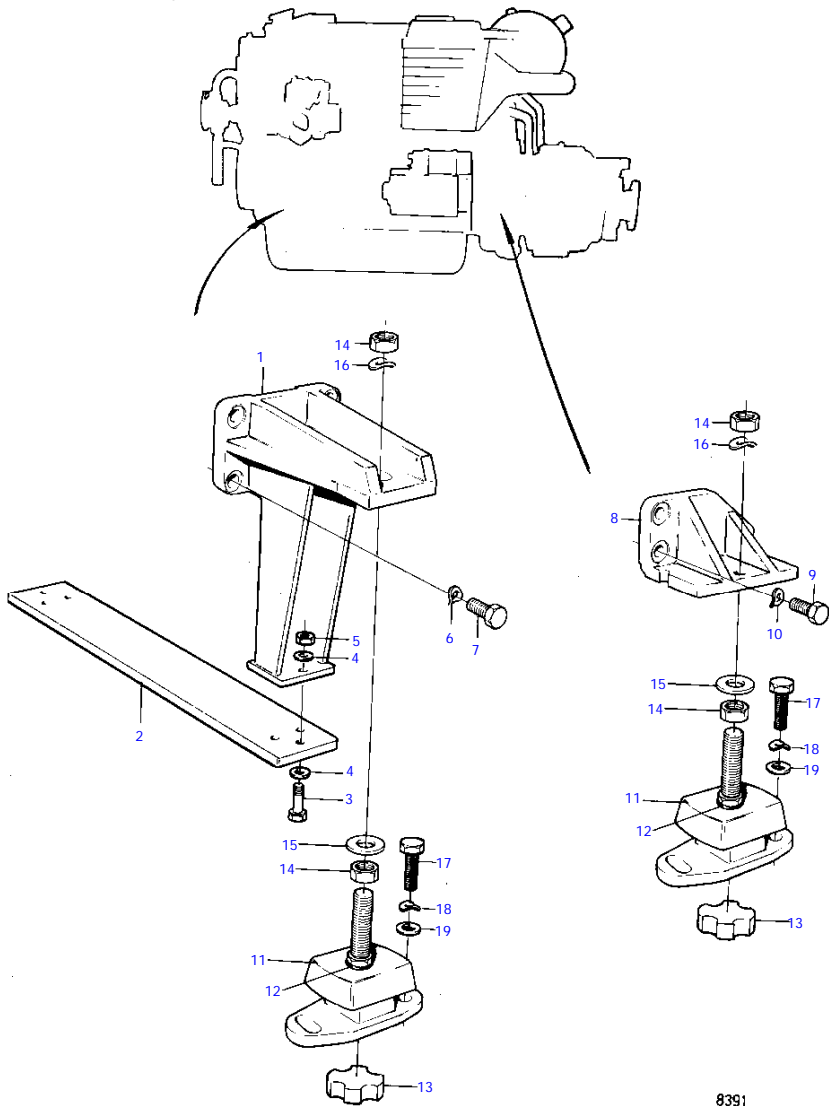
TAMD31A



9685

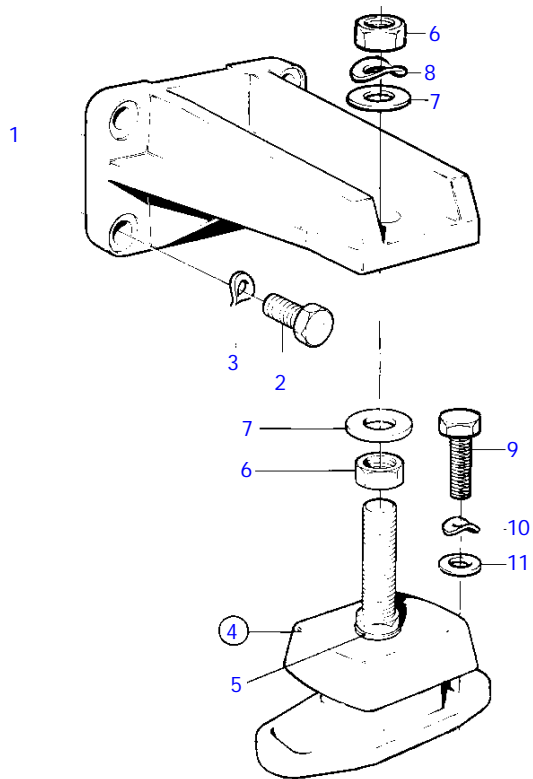
TAMD31A

REF	PART NO.	QTY	DESCRIPTION	SEE SEC.	NOTES
1	860027	2	Engine bracket		FRONT, (829517)
2	965192	6	Flange screw		L = 40 MM
	965193	2	Flange screw		L = 50 MM
3	940280	8	Spring washer		EARLY TYPE
4	859375	1	Engine mountings		REAR, P
	859376	1	Engine mountings		REAR, S.B
5	940280	6	Spring washer		ALT. EARLY TYPE
	940280	4	Spring washer		ALT. EARLY TYPE
	955897	2	Washer		ALT. EARLY TYPE
6	965192	3	Flange screw		L = 40 MM S.B
	970971	3	Hexagon screw		L = 35 MM P EARLY TYPE
	966343	1	Flange screw		L = 35 MM P LATE TYPE
	965226	2	Flange screw		L = 45 MM P LATE TYPE
7	846764	4	Rubber element		
			Bulletin 44-26	44-26-EN	Reinforced Rubber Cushion
8	955900	4	Washer		
9	955805	8	Hexagon nut		
10	191940	6	Washer		
	955900	2	Washer		
11	941912	4	Spring washer		
12	970951	8	Hexagon screw		(955321)
13	941908	8	Spring washer		
14	960148	8	Washer		



REF	PART NO.	QTY	DESCRIPTION	SEE SEC.	NOTES
1	858158	2	Bracket		
2	858159	1	Bracket		
3	965191	6	Flange screw		LATE TYPE
4	955897	12	Washer		EARLY TYPE
5	971096	6	Flange nut		LATE TYPE
6	940280	8	Spring washer		EARLY TYPE
7	965191	8	Flange screw		LATE TYPE
8	859375	2	Engine mountings		
9	970972	3	Hexagon screw		S.B L = 40 MM (955342)
	970971	3	Hexagon screw		P L = 35 MM EARLY TYPE
	966343	1	Flange screw		P L = 35 MM LATE TYPE
	965226	2	Flange screw		P L = 45 MM LATE TYPE
10	940280	6	Spring washer		
11	858160	4	Rubber cushion		
			Bulletin 44-26	44-26-EN	Reinforced Rubber Cushion
12	955900	4	• Washer		
13	843299	4	• Rubber disc		
14	955805	8	Hexagon nut		
15	191940	6	Washer		
	955900	2	Washer		
16	941912	4	Spring washer		
17	970951	8	Hexagon screw		(955321)
18	941908	8	Spring washer		
19	960148	8	Washer		

AQAD31A, AD31A, AD31B

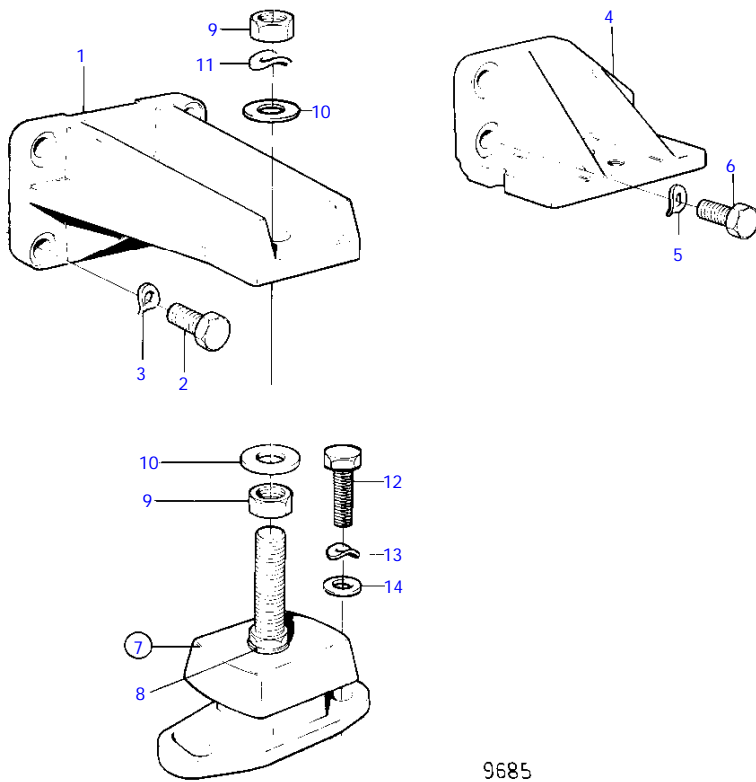


9686

AQAD31A, AD31A, AD31B

REF	PART NO.	QTY	DESCRIPTION	SEE SEC.	NOTES
1	860027	2	Engine bracket		FRONT
2	965192	6	Flange screw		L = 40 MM
	965193	2	Flange screw		L = 50 MM
3	940280	8	Spring washer		EARLY TYPE
4	846764	2	Rubber element		
			Bulletin 44-26	44-26-EN	Reinforced Rubber Cushion
5	955900	2	Washer		
6	955805	4	Hexagon nut		
7	191940	4	Washer		
8	941912	2	Spring washer		
9	970951	4	Hexagon screw		(955321)
10	941908	4	Spring washer		
11	960140	4	Washer		

TMD31B

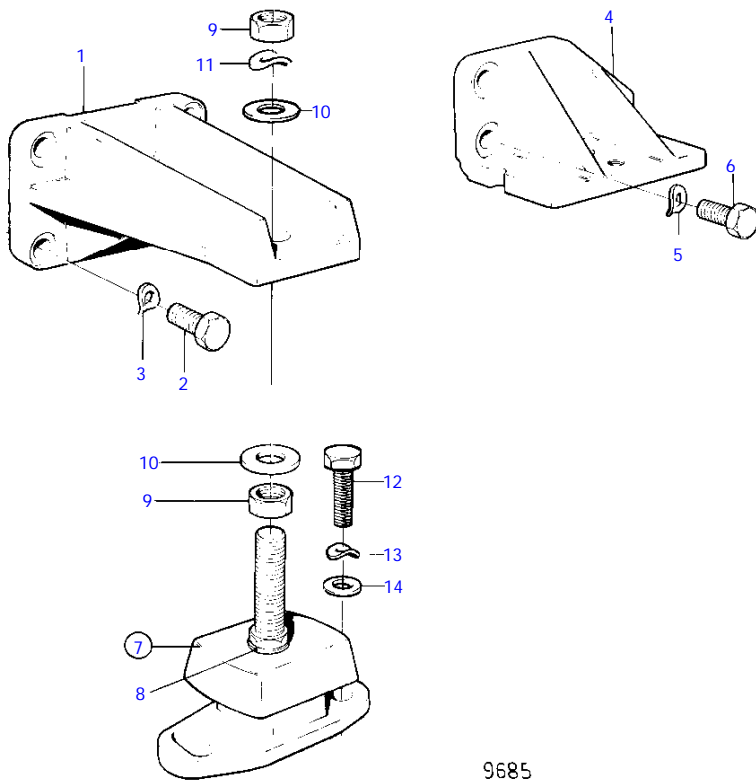


9685

TMD31B

REF	PART NO.	QTY	DESCRIPTION	SEE SEC.	NOTES
1	860027	2	Engine bracket		FRONT
2	965192	6	Flange screw		L = 40 MM
	965193	2	Flange screw		L = 50 MM
3	940280	8	Spring washer		
4	859375	1	Engine mountings		REAR, P
	859376	1	Engine mountings		REAR, S.B
5	940280	6	Spring washer		
6	966343	6	Flange screw		L = 35 MM
7	846764	4	Rubber element		
			Bulletin 44-26	44-26-EN	Reinforced Rubber Cushion
8	955900	4	Washer		
9	955805	8	Hexagon nut		
10	191940	6	Washer		
	955900	2	Washer		
11	941912	4	Spring washer		
12	965220	8	Flange screw		
13	941908	8	Spring washer		
14	960148	8	Washer		

TAMD31B

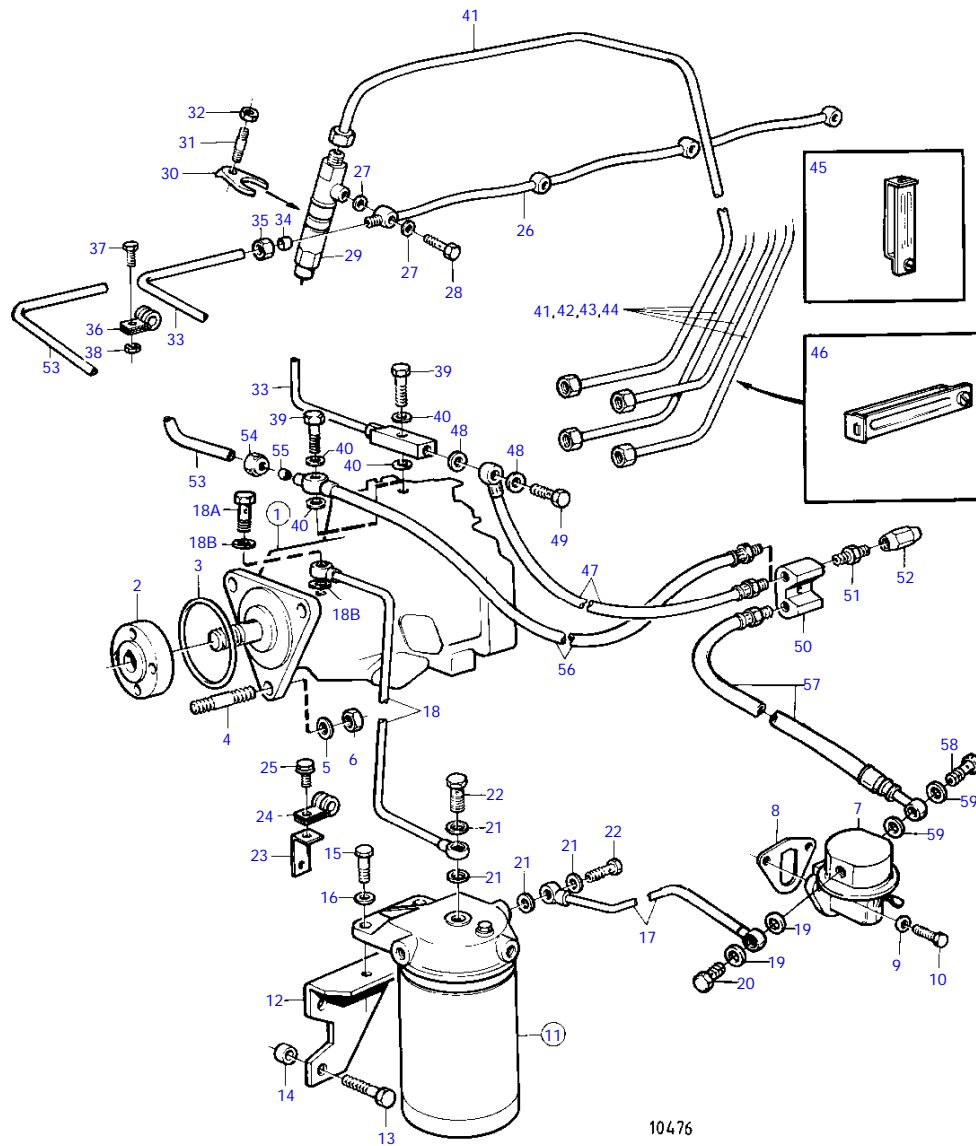


9685

TAMD31B

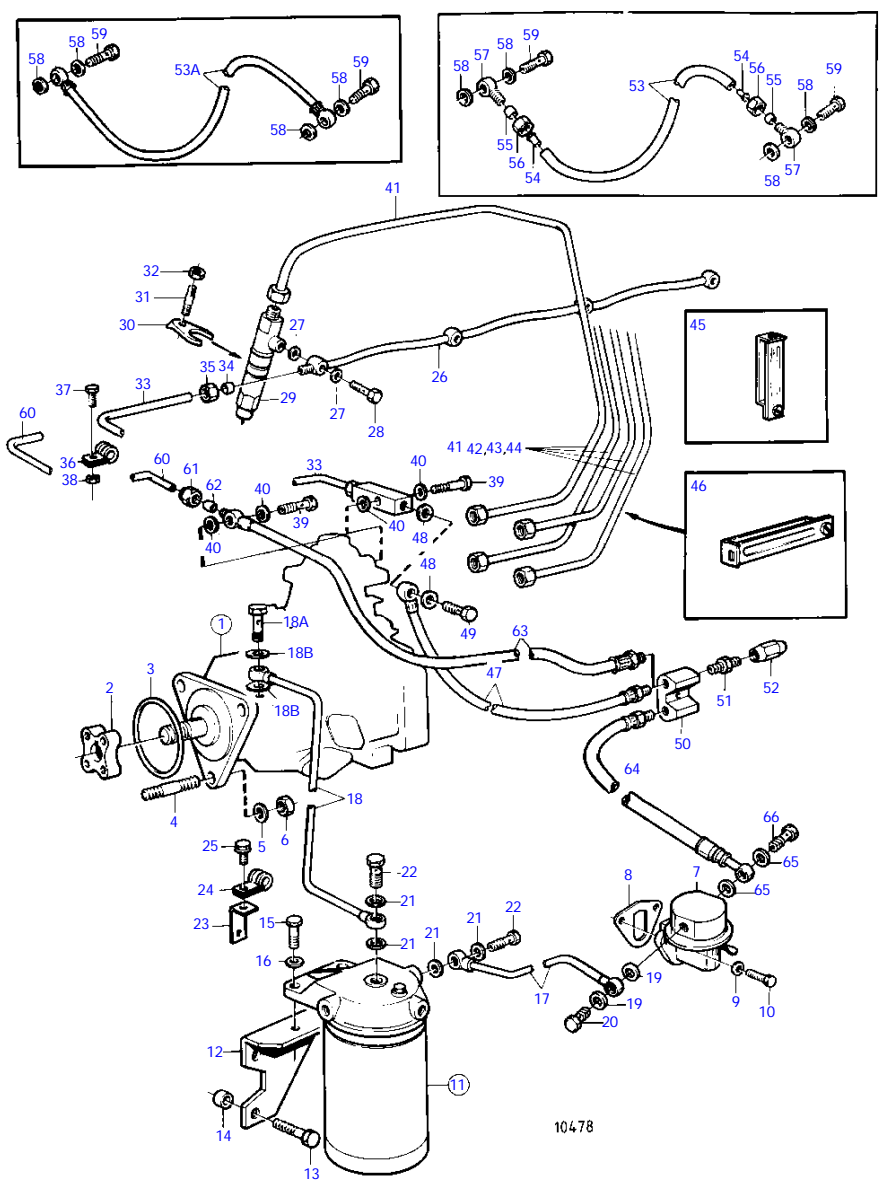
REF	PART NO.	QTY	DESCRIPTION	SEE SEC.	NOTES
1	860027	2	Engine bracket		FRONT
2	965192	6	Flange screw		L = 40 MM
	965193	2	Flange screw		L = 50 MM
3	940280	8	Spring washer		
4	859375	1	Engine mountings		REAR, P
	859376	1	Engine mountings		REAR, S.B
5	940280	4	Spring washer		
	955897	2	Washer		
6	966343	3	Flange screw		L = 35 MM S.B
	965226	2	Flange screw		L = 45 MM P
	966343	1	Flange screw		L = 35 MM P
7	846764	4	Rubber element		
			Bulletin 44-26	44-26-EN	Reinforced Rubber Cushion
8	955900	4	Washer		
9	955805	8	Hexagon nut		
10	191940	6	Washer		
	955900	2	Washer		
11	941912	4	Spring washer		
12	965220	8	Flange screw		
13	941908	8	Spring washer		
14	960148	8	Washer		

MD31A



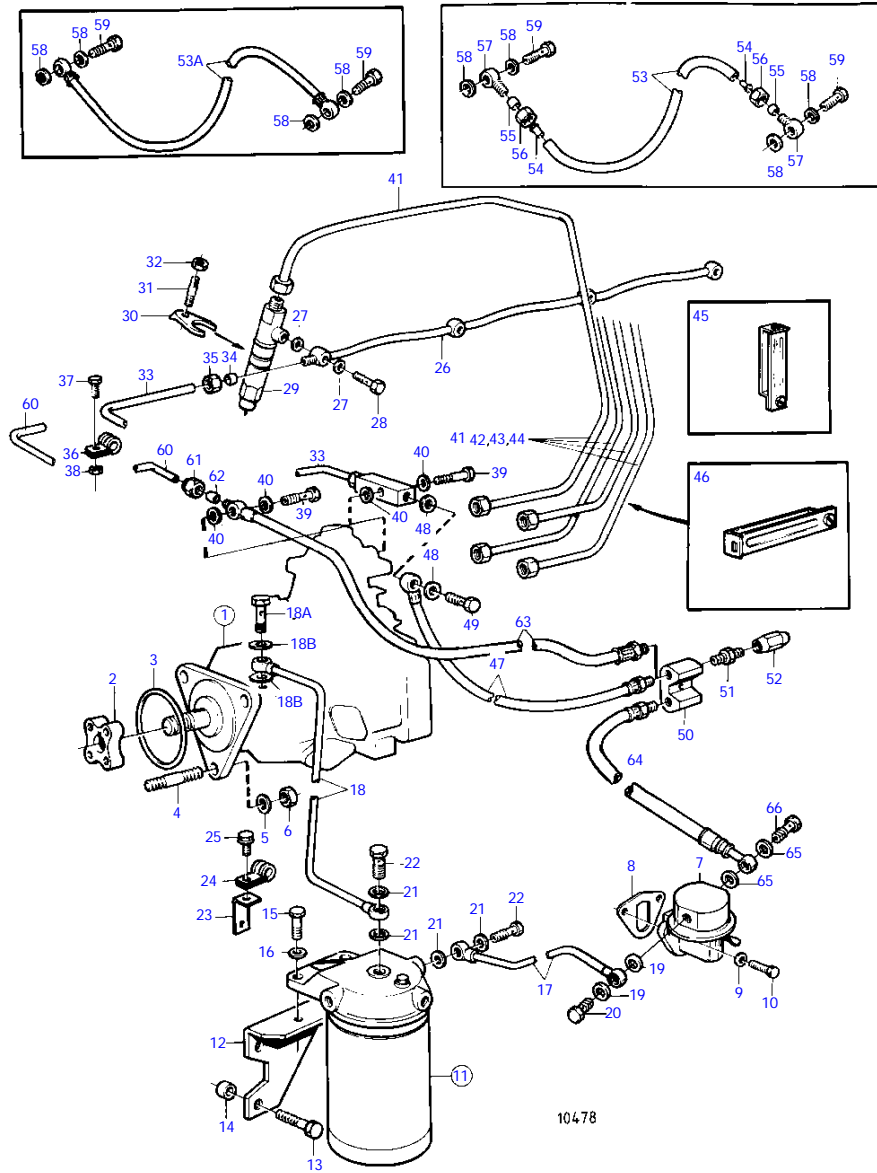
MD31A

REF	PART NO.	QTY	DESCRIPTION	SEE SEC.	NOTES
1	838678	1	Injection pump, FUEL INJECTION PUMP		
			*	19203	
2	1542171	1	Hub		OBSOLETE PART
3	968971	1	O-ring		
4	953047	3	Stud		
5	191172	3	Washer		
6	945408	3	Flange nut		
7	1542170	1	Fuel pump		REPLACED BY FUEL PUMP 860320 AND PIPE 860447, SN-2203113624
	273663	1	* Repair kit		SEE GROUP 10A, OBSOLETE PART
	860320	1	Fuel pump		SN2203113625-
8	3501530	1	Gasket		(463392)
9	941907	2	Spring washer		
10	946173	2	Flange screw		
11	840531	1	Fuel filter		
			*	19197	
12	838583	1	Bracket		
13	965193	2	Flange screw		
14	843122	2	Spacer sleeve		L = 5 MM
15	946329	2	Flange screw		
16	960148	2	Washer		
17	838586	1	Fuel pipe		FOR 1542170
	860447	1	Fuel pipe		FOR 860320
18	838722	1	Fuel pipe		
18A	969299	1	Hollow screw		
18B	11994	2	Gasket		
19	11994	2	Gasket		
20	969299	1	Hollow screw		(74040)
21	969011	4	Gasket		(947621)
22	25167	2	Hollow screw		
23	846780	1	Bracket		
24	952624	1	Clamp		
25	946544	1	Flange screw		
26	838666	1	Leak-off line		
27	957171	8	Gasket		
28	74033	4	Hollow screw		
29	858299	4	Injector		
	3803234	4	Injector, exch, exch		
			*	19198	
30	840402	4	Yoke		
31	924068	4	Stud		
32	945408	4	Flange nut		
33	858911	1	Return line		REPLACED BY RETURN PIPE 860039, FUEL HOSE 860028, 2EA SHEAR RING 956966 AND 2EA NUT 956980
34	956966	1	Ferrule		
35	956980	1	Fitting nut		
36	121563	1	Clamp		
37	946544	1	Flange screw		
38	945407	1	Flange nut		
39	844237	1	Hollow screw		INCLUDED IN FUEL INJECTION PUMP.
40	11994	2	Gasket		
41	858512	1	Pressure pipe		CYL NO. 1, OBSOLETE PART
42	858513	1	Pressure pipe		CYL NO. 2, OBSOLETE PART
43	858514	1	Pressure pipe		CYL NO. 3, OBSOLETE PART
44	858515	1	Pressure pipe		CYL NO. 4
45	470181	2	Clamp		2-PIPE
46	470183	2	Clamp		4-PIPE
47	845646	1	Fuel hose		
48	11994	2	Gasket		
49	969299	1	Hollow screw		(74040)
50	829146	1	Fitting		
51	954337	2	Nipple		
52	954323	2	Fitting nut		
53	860039	1	Return line		
54	956980	1	Fitting nut		
55	956966	1	Ferrule		
56	860028	1	Fuel hose		OBSOLETE PART
57	845646	1	Fuel hose		
58	969299	1	Hollow screw		(74040)
59	11994	2	Gasket		



REF	PART NO.	QTY	DESCRIPTION	SEE SEC.	NOTES
1	858207	1	Injection pump, FUEL INJECTION PUMP		OBSOLETE PART
			*	19199	
2	859601	1	Hub		(838676)
3	968971	1	O-ring		
4	953047	3	Stud		
5	191172	3	Washer		
6	945408	3	Flange nut		
7	1542170	1	Fuel pump		REPLACED BY FUEL PUMP 860320 AND PIPE 860447, SN-2203113624
	273663	1	* Repair kit		OBSOLETE PART, SEE GROUP 10A
	860320	1	Fuel pump		SN-2203113625
8	3501530	1	Gasket		
9	941907	2	Spring washer		
10	946173	2	Flange screw		
11	840531	1	Fuel filter		
			*	19197	
12	838583	1	Bracket		
13		2	SCREW		
14	843122	2	Spacer sleeve		L=5 MM
15	946329	2	Flange screw		
16	960148	2	Washer		
17	838586	1	Fuel pipe		FOR 1542170
	860447	1	Fuel pipe		FOR 860320
18	838722	1	Fuel pipe		
18A	969299	1	Hollow screw		
18B	11994	2	Gasket		
19	11994	4	Gasket		
20	969299	2	Hollow screw		(74040)
21	969011	4	Gasket		(947621)
22	25167	2	Hollow screw		
23	846780	1	Bracket		
24	952624	2	Clamp		
25	946544	1	Flange screw		
26	838666	1	Leak-off line		
27	947620	8	Gasket		
28	74033	4	Hollow screw		
29	838665	4	Injector		
	3803231	4	Injector, exch, exch		
			*	19198	
30	840402	4	Yoke		
31	924068	4	Stud		
32	945408	4	Flange nut		
33	838669	1	Return line		REPLACED BY RETURN PIPE 860021,FUEL HOSE 860028, 2EA SHEAR RING 956966 AND 2EA NUT 956980
34	956966	1	Ferrule		
35	956980	1	Fitting nut		
36	121563	1	Clamp		
37	946544	1	Flange screw		
38	945407	1	Flange nut		
39	844237	1	Hollow screw		INCLUDED IN FUEL INJECTION PUMP.
40	11994	2	Gasket		
41	838873	1	Delivery pipe		CYL NO.1
42	838874	1	Delivery pipe		CYL NO.2
43	838875	1	Delivery pipe		CYL NO.3
44	838876	1	Delivery pipe		CYL NO.4
45	470181	2	Clamp		2-PIPE
46	470183	2	Clamp		4-PIPE
47	845646	1	Fuel hose		
48	11994	2	Gasket		
49	969299	1	Hollow screw		(74040)
50	829146	1	Fitting		
51	954337	2	Nipple		
52	954323	2	Fitting nut		
53	945460	1	Tube		L = 150 MM, REPL BY 86013
53A	860131	1	Air vent hose		
54	944717	2	Support sleeve		
55	954364	2	Sleeve		
56	954356	2	Fitting nut		
57	858447	2	Banjo nipple		
58	957171	4	Gasket		
59	74033	2	Hollow screw		
60	860021	1	Return line		
61	956980	1	Fitting nut		
62	956966	1	Ferrule		
63	860028	1	Fuel hose		OBSOLETE PART
64	845646	1	Fuel hose		
65	11994	2	Gasket		
66	969299	1	Hollow screw		(74040)

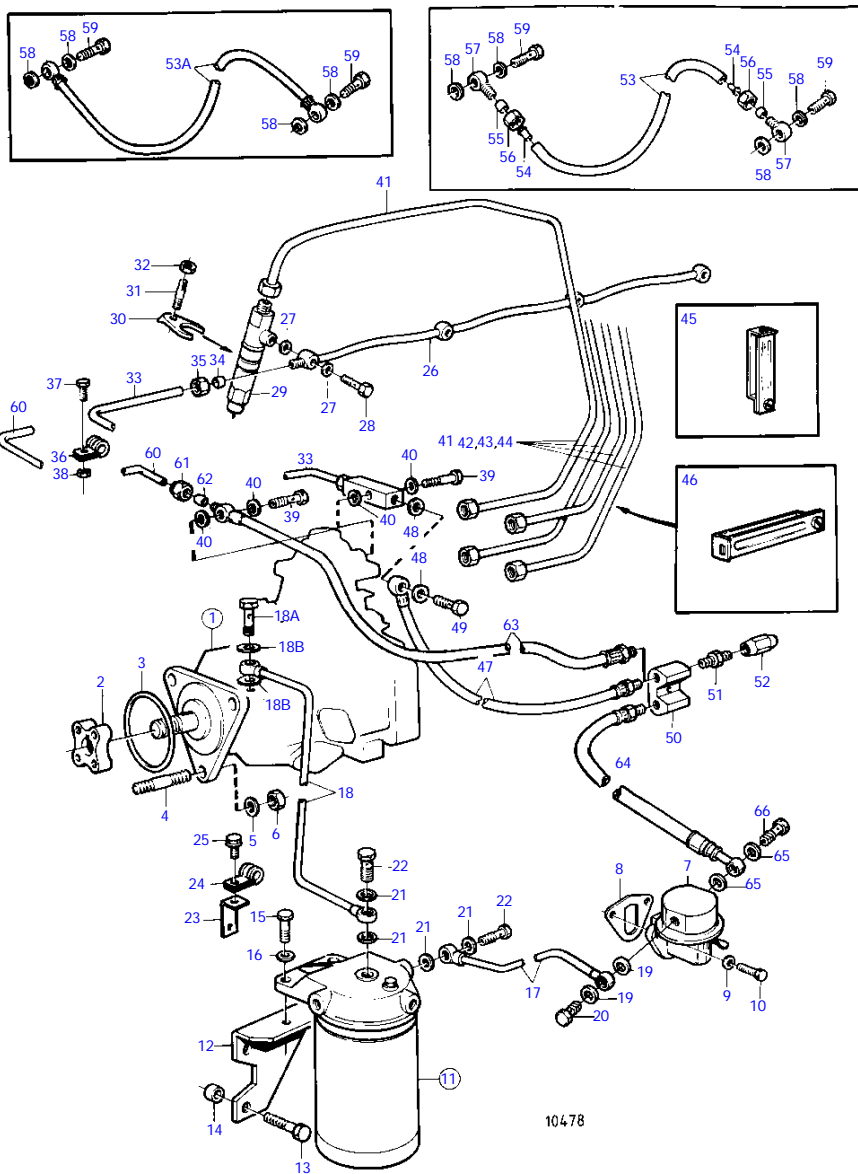
TMD31A



TMD31A

REF	PART NO.	QTY	DESCRIPTION	SEE SEC.	NOTES
1	838679	1	Injection pump, FUEL INJECTION PUMP		
			*	19200	
			*	19200	
			*	19200	
			*	19199	
			*	19200	
2	859601	1	Hub		(838676)
3	968971	1	O-ring		
4	953047	3	Stud		
5	191172	3	Washer		
6	945408	3	Flange nut		
7	1542170	1	Fuel pump		REPLACED BY FUEL PUMP 860320 AND PIPE 860447, SN-2203113624
	273663	1	* Repair kit		OBSOLETE PART, SEE GROUP 10A
	860320	1	Fuel pump		SN2203113625-
8	3501530	1	Gasket		(463392)
9	941907	2	Spring washer		
10	946173	2	Flange screw		
11	840531	1	Fuel filter		
			*	19197	
12	838583	1	Bracket		
13		2	SCREW		
14	843122	2	Spacer sleeve		L = 5 MM
15	946329	2	Flange screw		
16	960148	2	Washer		
17	838586	1	Fuel pipe		FOR 1542170
	860447	1	Fuel pipe		FOR 860320
18	838722	1	Fuel pipe		
18A	969299	1	Hollow screw		
18B	11994	2	Gasket		
19	11994	4	Gasket		
20	969299	2	Hollow screw		(74040)
21	969011	4	Gasket		(947621)
22	25167	2	Hollow screw		
23	846780	1	Bracket		
24	952624	2	Clamp		
25	946544	1	Flange screw		
26	838666	1	Leak-off line		
27	957171	8	Gasket		
28	74033	4	Hollow screw		
29	838665	4	Injector		
	3803231	4	Injector, exch, exch		
			*	19198	
30	840402	4	Yoke		
31	924068	4	Stud		
32	945408	4	Flange nut		
33	838669	1	Return line		REPLACED BY RETURN PIPE 860021, FUEL HOSE 860028, 2EA SHEAR RING 956966 AND 2EA NUT 956980
34	956966	1	Ferrule		
35	956980	1	Fitting nut		
36	121563	1	Clamp		
37	946544	1	Flange screw		
38	945407	1	Flange nut		
39	844237	1	Hollow screw		INCLUDED IN FUEL INJECTION PUMP.
40	11994	2	Gasket		
41	838873	1	Delivery pipe		CYL NO. 1
42	838874	1	Delivery pipe		CYL NO. 2
43	838875	1	Delivery pipe		CYL NO. 3
44	838876	1	Delivery pipe		CYL NO. 4
45	470181	2	Clamp		2-PIPE
46	470183	2	Clamp		4-PIPE
47	845646	1	Fuel hose		
48	11994	2	Gasket		
49	969299	1	Hollow screw		(74040)
50	829146	1	Fitting		
51	954337	2	Nipple		
52	954323	2	Fitting nut		
53	945460	1	Tube		L = 150 MM, REPL BY 86013
53A	860131	1	Air vent hose		
54	944717	2	Support sleeve		
55	954364	2	Sleeve		
56	954356	2	Fitting nut		
57	858447	2	Banjo nipple		
58	957171	4	Gasket		
59	74033	2	Hollow screw		
60	860021	1	Return line		
61	956980	1	Fitting nut		
62	956966	1	Ferrule		
63	860028	1	Fuel hose		OBSOLETE PART
64	845646	1	Fuel hose		
65	11994	2	Gasket		
66	969299	1	Hollow screw		(74040)

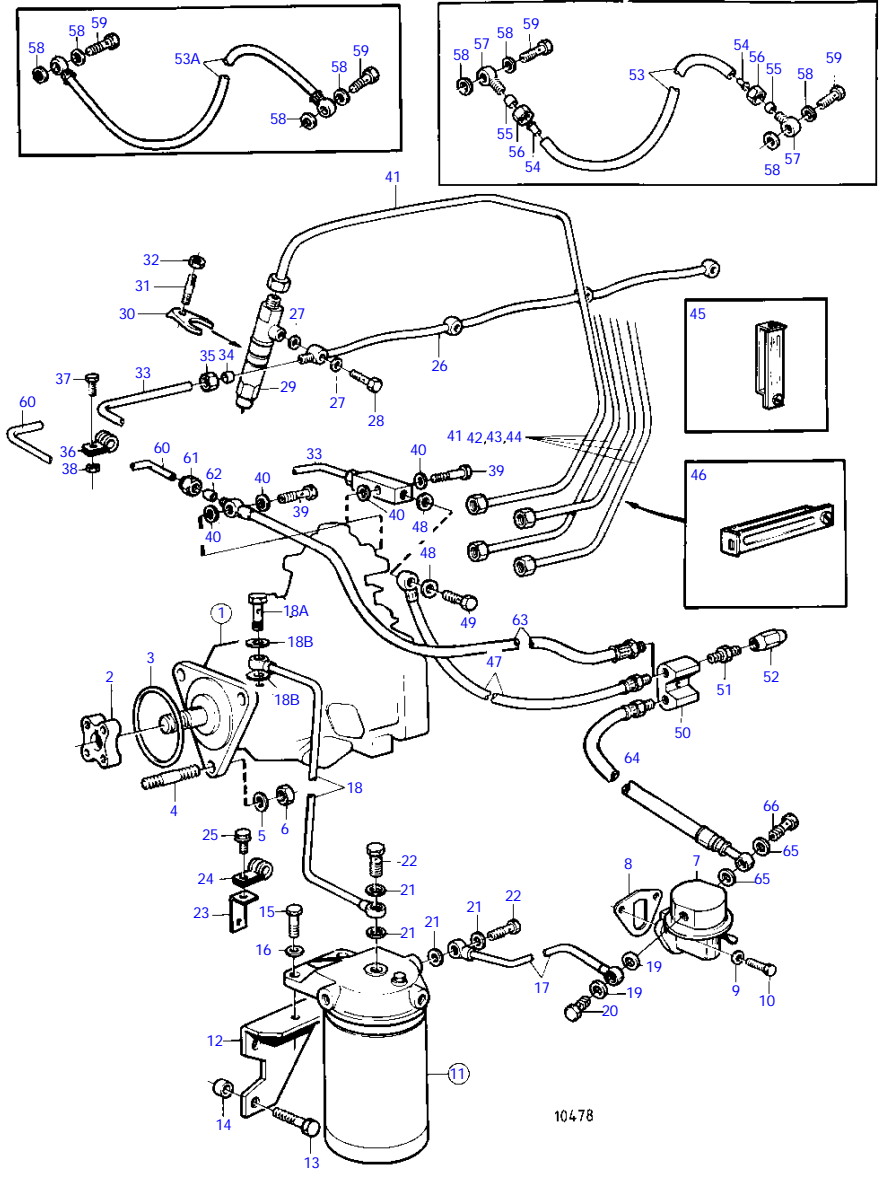
TAMD31A



TAMD31A

REF	PART NO.	QTY	DESCRIPTION	NOTES
1	838680	1	Injection pump, FUEL INJECTION PUMP	PRODUCT NO.867965,867966,868321,868322
	838681	1	Injection pump, FUEL INJECTION PUMP	OBSOLETE PART, PRODUCT NO.868325,868326,868330
	838640	1	Injection pump, FUEL INJECTION PUMP	OBSOLETE PART, PRODUCT NO.868327,868328,868331
2	859601	1	Hub	(838676)
3	968971	1	O-ring	
4	953047	3	Stud	
5	191172	3	Washer	
6	945408	3	Flange nut	
7	1542170	1	Fuel pump	REPLACED BY FUEL PUMP 860320 AND PIPE 860447, SN-2203113624
	273663	1	* Repair kit	OBSOLETE PART, SEE GROUP 10A
	860320	1	Fuel pump	SN2203113625-
8	3501530	1	Gasket	(463392)
9	941907	2	Spring washer	
10	946173	2	Flange screw	
11	840531	1	Fuel filler	
12	838583	1	Bracket	
13		2	SCREW	
14	843122	2	Spacer sleeve	L = 5 MM
15	946329	2	Flange screw	
16	960148	2	Washer	
17	838586	1	Fuel pipe	FOR 1542170
	860447	1	Fuel pipe	FOR 860320
18	838722	1	Fuel pipe	
18A	969299	1	Hollow screw	
18B	11994	2	Gasket	
19	11994	4	Gasket	
20	969299	2	Hollow screw	(74040)
21	969011	4	Gasket	(947621)
22	25167	2	Hollow screw	
23	846780	1	Bracket	
24	952624	2	Clamp	
25	946544	1	Flange screw	
26	838666	1	Leak-off line	
27	957171	8	Gasket	
28	74033	4	Hollow screw	
29	838665	4	Injector	
	3803231	4	Injector, exch, exch	
30	840402	4	Yoke	
31	924068	4	Stud	
32	945408	4	Flange nut	
33	838669	1	Return line	REPLACED BY RETURN PIPE 860021,FUEL HOSE 860028, 2EA SHEAR RING 956966 AND 2EA NUT 956980
34	956966	1	Ferrule	
35	956980	1	Fitting nut	
36	121563	1	Clamp	
37	946544	1	Flange screw	
38	945407	1	Flange nut	
39	844237	1	Hollow screw	INCLUDED IN FUEL INJECTION PUMP.
40	11994	2	Gasket	
41	838873	1	Delivery pipe	CYL NO. 1
42	838874	1	Delivery pipe	CYL NO. 2
43	838875	1	Delivery pipe	CYL NO. 3
44	838876	1	Delivery pipe	CYL NO. 4
45	470181	2	Clamp	2-PIPE
46	470183	2	Clamp	4-PIPE
47	845646	1	Fuel hose	
48	11994	2	Gasket	
49	969299	1	Hollow screw	(74040)
50	829146	1	Fitting	
51	954337	2	Nipple	
52	954323	2	Fitting nut	
53	945460	1	Tube	L = 150 MM, REPL BY 86013
53A	860131	1	Air vent hose	
54	944717	2	Support sleeve	
55	954364	2	Sleeve	
56	954356	2	Fitting nut	
57	858447	2	Banjo nipple	
58	957171	4	Gasket	
59	74033	2	Hollow screw	
60	860021	1	Return line	
61	956980	1	Fitting nut	
62	956966	1	Ferrule	
63	860028	1	Fuel hose	OBSOLETE PART
64	845646	1	Fuel hose	
65	11994	2	Gasket	
66	969299	1	Hollow screw	(74040)

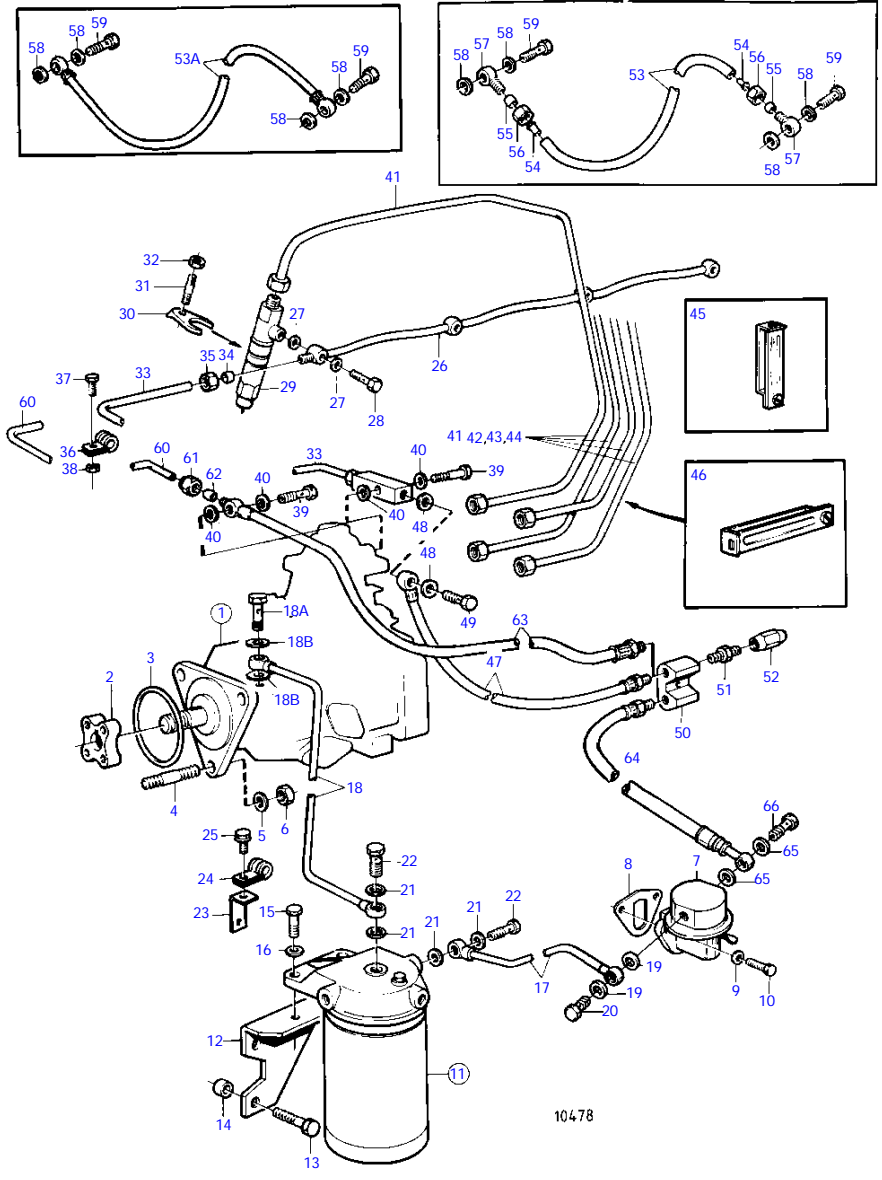
AQAD31A



AQAD31A

REF	PART NO.	QTY	DESCRIPTION	NOTES
1	838680	1	Injection pump, FUEL INJECTION PUMP	
2	859601	1	Hub	(838676)
3	968971	1	O-ring	
4	953047	3	Stud	
5	191172	3	Washer	
6	945408	3	Flange nut	
7	1542170	1	Fuel pump	REPLACED BY FUEL PUMP 860320 AND PIPE 860447, SN-2203113624
	273663	1	* Repair kit	OBSOLETE PART, SEE GROUP 10A
	860320	1	Fuel pump	SN2203113625-
8	3501530	1	Gasket	(463392)
9	941907	2	Spring washer	
10	946173	2	Flange screw	
11	840531	1	Fuel filter	
12	838583	1	Bracket	
13		2	SCREW	
14	843122	2	Spacer sleeve	L = 5 MM
15	946329	2	Flange screw	
16	960148	2	Washer	
17	838586	1	Fuel pipe	FOR 1542170
	860447	1	Fuel pipe	FOR 860320
18	838722	1	Fuel pipe	
18A	969299	1	Hollow screw	
18B	11994	2	Gasket	
19	11994	4	Gasket	
20	969299	2	Hollow screw	(74040)
21	969011	4	Gasket	(947621)
22	25167	2	Hollow screw	
23	846780	1	Bracket	
24	952624	2	Clamp	
25	946544	1	Flange screw	
26	838666	1	Leak-off line	
27	957171	8	Gasket	
28	74033	4	Hollow screw	
29	838665	4	Injector	
	3803231	4	Injector, exch, exch	
30	840402	4	Yoke	
31	924068	4	Stud	
32	945408	4	Flange nut	
33	838669	1	Return line	REPLACED BY RETURN PIPE 860021, FUEL HOSE 860028, 2EA SHEAR RING 956966 AND 2EA NUT 956980
34	956966	1	Ferrule	
35	956980	1	Fitting nut	
36	121563	1	Clamp	
37	946544	1	Flange screw	
38	945407	1	Flange nut	
39	844237	1	Hollow screw	INCLUDED IN FUEL INJECTION PUMP.
40	11994	2	Gasket	
41	838873	1	Delivery pipe	CYL NO. 1
42	838874	1	Delivery pipe	CYL NO. 2
43	838875	1	Delivery pipe	CYL NO. 3
44	838876	1	Delivery pipe	CYL NO. 4
45	470181	2	Clamp	2-PIPE
46	470183	2	Clamp	4-PIPE
47	845646	1	Fuel hose	
48	11994	2	Gasket	
49	969299	1	Hollow screw	(74040)
50	829146	1	Fitting	
51	954337	2	Nipple	
52	954323	2	Fitting nut	
53	945460	1	Tube	L = 150 MM, REPL BY 86013
53A	860131	1	Air vent hose	
54	944717	2	Support sleeve	
55	954364	2	Sleeve	
56	954356	2	Fitting nut	
57	858447	2	Banjo nipple	
58	957171	4	Gasket	
59	74033	2	Hollow screw	
60	860021	1	Return line	
61	956980	1	Fitting nut	
62	956966	1	Ferrule	
63	860028	1	Fuel hose	OBSOLETE PART
64	845646	1	Fuel hose	
65	11994	2	Gasket	
66	969299	1	Hollow screw	(74040)

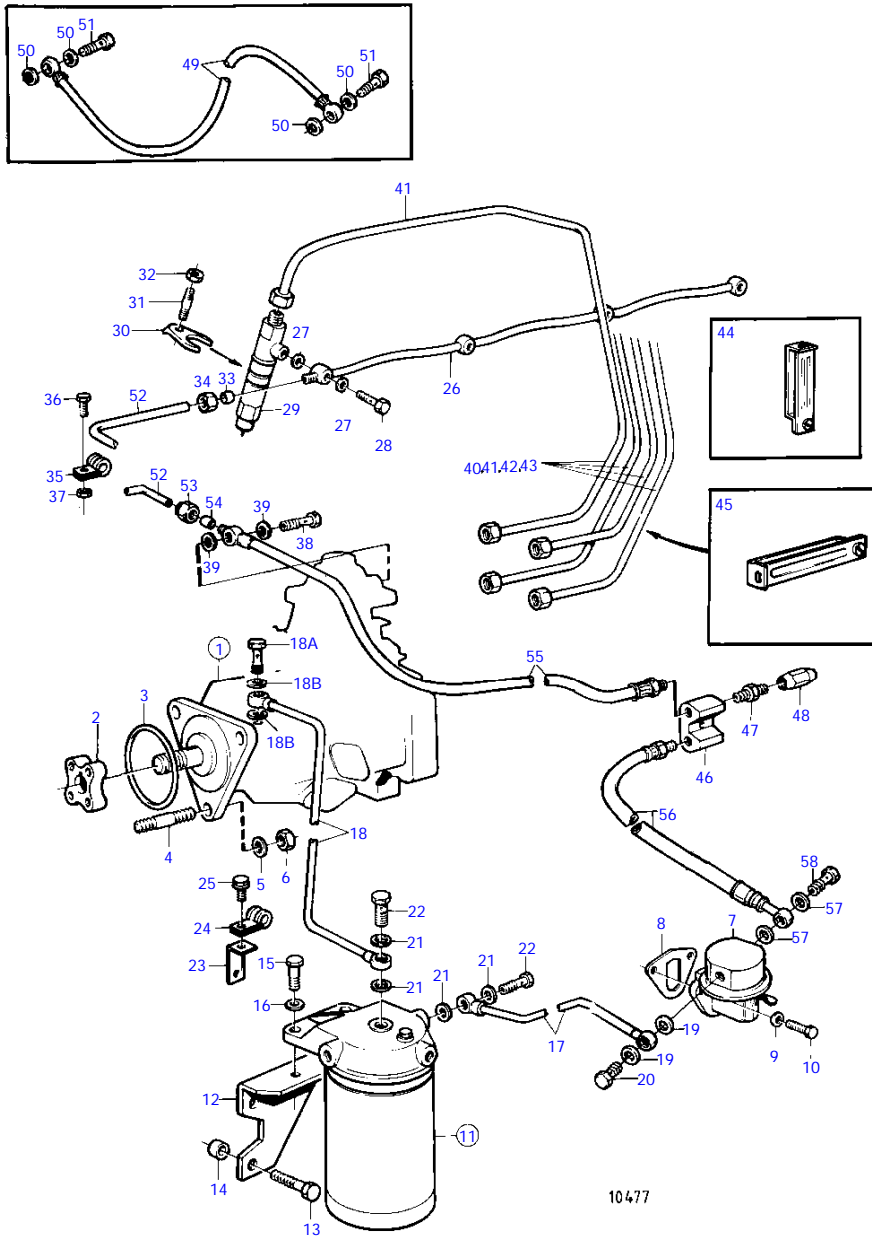
AD31A



AD31A

REF	PART NO.	QTY	DESCRIPTION	NOTES
1	838680	1	Injection pump, FUEL INJECTION PUMP	
2	859601	1	Hub	(838676)
3	968971	1	O-ring	
4	953047	3	Stud	
5	191172	3	Washer	
6	945408	3	Flange nut	
7	1542170	1	Fuel pump	REPLACED BY FUEL PUMP 860320 AND PIPE 860447, SN-2203113624
	273663	1	* Repair kit	OBSOLETE PART, SEE GROUP 10A
	860320	1	Fuel pump	SN2203113625-
8	3501530	1	Gasket	(463392)
9	941907	2	Spring washer	
10	946173	2	Flange screw	
11	840531	1	Fuel filter	
12	838583	1	Bracket	
13		2	SCREW	
14	843122	2	Spacer sleeve	L = 5 MM
15	946329	2	Flange screw	
16	960148	2	Washer	
17	838586	1	Fuel pipe	FOR 1542170
	860447	1	Fuel pipe	FOR 860320
18	838722	1	Fuel pipe	
18A	969299	1	Hollow screw	
18B	11994	2	Gasket	
19	11994	4	Gasket	
20	969299	2	Hollow screw	(74040)
21	969011	4	Gasket	(947621)
22	25167	2	Hollow screw	
23	846780	1	Bracket	
24	952624	2	Clamp	
25	946544	1	Flange screw	
26	838666	1	Leak-off line	
27	957171	8	Gasket	
28	74033	4	Hollow screw	
29	838665	4	Injector	
	3803231	4	Injector, exch, exch	
30	840402	4	Yoke	
31	924068	4	Stud	
32	945408	4	Flange nut	
33	838669	1	Return line	REPLACED BY RETURN PIPE 860021, FUEL HOSE 860028, 2EA SHEAR RING 956966 AND 2EA NUT 956980
34	956966	1	Ferrule	
35	956980	1	Fitting nut	
36	121563	1	Clamp	
37	946544	1	Flange screw	
38	945407	1	Flange nut	
39	844237	1	Hollow screw	INCLUDED IN FUEL INJECTION PUMP.
40	11994	2	Gasket	
41	838873	1	Delivery pipe	CYL NO. 1
42	838874	1	Delivery pipe	CYL NO. 2
43	838875	1	Delivery pipe	CYL NO. 3
44	838876	1	Delivery pipe	CYL NO. 4
45	470181	2	Clamp	2-PIPE
46	470183	2	Clamp	4-PIPE
47	845646	1	Fuel hose	
48	11994	2	Gasket	
49	969299	1	Hollow screw	(74040)
50	829146	1	Fitting	
51	954337	2	Nipple	
52	954323	2	Fitting nut	
53	945460	1	Tube	L = 150 MM, REPL BY 86013
53A	860131	1	Air vent hose	
54	944717	2	Support sleeve	
55	954364	2	Sleeve	
56	954356	2	Fitting nut	
57	858447	2	Banjo nipple	
58	957171	4	Gasket	
59	74033	2	Hollow screw	
60	860021	1	Return line	
61	956980	1	Fitting nut	
62	956966	1	Ferrule	
63	860028	1	Fuel hose	OBSOLETE PART
64	845646	1	Fuel hose	
65	11994	2	Gasket	
66	969299	1	Hollow screw	(74040)

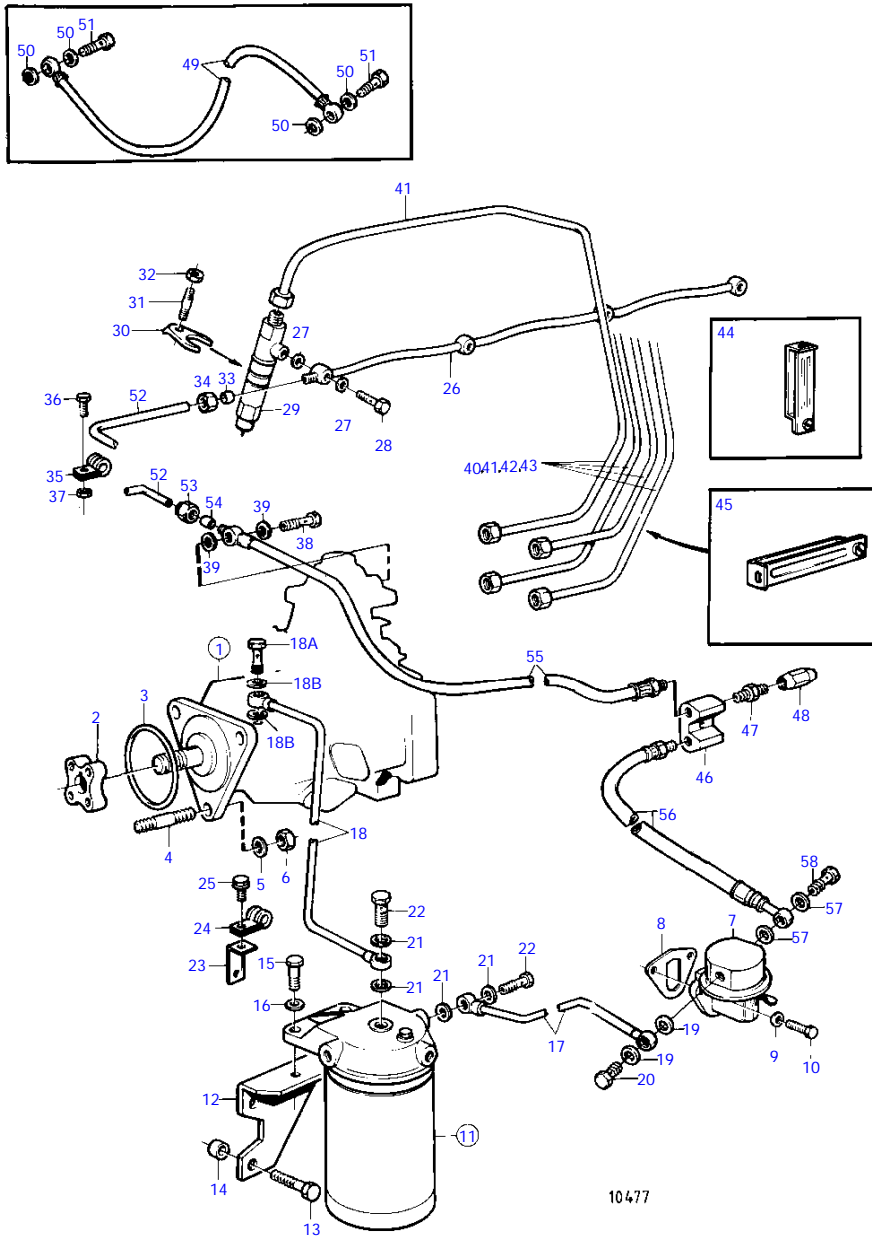
TMD31B



TMD31B

REF	PART NO.	QTY	DESCRIPTION	SEE SEC.	NOTES
1	860513	1	Injection pump		PRODUKTNO.868179,868180,868181.
			*	19201	
	860186	1	Injection pump		PRODUCT NO.868285., OBSOLETE PART
			*	19200	
			*	19200	
			*	19202	
			*	19200	
			*	19202	
2	859601	1	Hub		
3	968971	1	O-ring		
4	953047	3	Stud		
5	191172	3	Washer		
6	945408	3	Flange nut		
7	1542170	1	Fuel pump		REPLACED BY FUEL PUMP 860320 AND PIPE 860447, SN-2203113624
	273663	1	* Repair kit		SEE GROUP 10A, OBSOLETE PART
	860320	1	Fuel pump		SN2203113625-
8	3501530	1	Gasket		
9	941907	2	Spring washer		
10	946173	2	Flange screw		
11	840531	1	Fuel filter		
			*	19197	
12	838583	1	Bracket		
13	965193	2	Flange screw		
14	843122	2	Spacer sleeve		
15	946329	2	Flange screw		
16	960148	2	Washer		
17	838586	1	Fuel pipe		FOR 1542170
	860447	1	Fuel pipe		FOR 860320
18	838722	1	Fuel pipe		
18A	969299	1	Hollow screw		
18B	11994	2	Gasket		
19	11994	2	Gasket		
20	969299	1	Hollow screw		
21	969011	4	Gasket		
22	25167	2	Hollow screw		
23	846780	1	Bracket		
24	952624	1	Clamp		
25	946544	1	Flange screw		
26	838666	1	Leak-off line		
27	947620	8	Gasket		
28	74033	4	Hollow screw		
29	859494	4	Injector		
	3803235	4	Injector, exch, exch		
			*	19198	
30	840402	4	Yoke		
31	924068	4	Stud		
32	945408	4	Flange nut		
33	956966	1	Ferrule		
34	956980	1	Fitting nut		
35	121563	1	Clamp		
36	946544	1	Flange screw		
37	945407	1	Flange nut		
38	969299	1	Hollow screw		
39	11994	2	Gasket		
40	838873	1	Delivery pipe		CYL NO. 1
41	838874	1	Delivery pipe		CYL NO. 2
42	838875	1	Delivery pipe		CYL NO. 3
43	838876	1	Delivery pipe		CYL NO. 4
44	470181	2	Clamp		2-PIPE
45	470183	2	Clamp		4-PIPE
46	829146	1	Fitting		
47	954337	2	Nipple		
48	954323	2	Fitting nut		
49	860131	1	Air vent hose		
50	957171	4	Gasket		
51	74033	2	Hollow screw		
52	860021	1	Return line		
53	956980	1	Fitting nut		
54	956966	1	Ferrule		
55	860028	1	Fuel hose		OBSOLETE PART
56	845646	1	Fuel hose		
57	11994	2	Gasket		
58	969299	1	Hollow screw		

TAMD31B

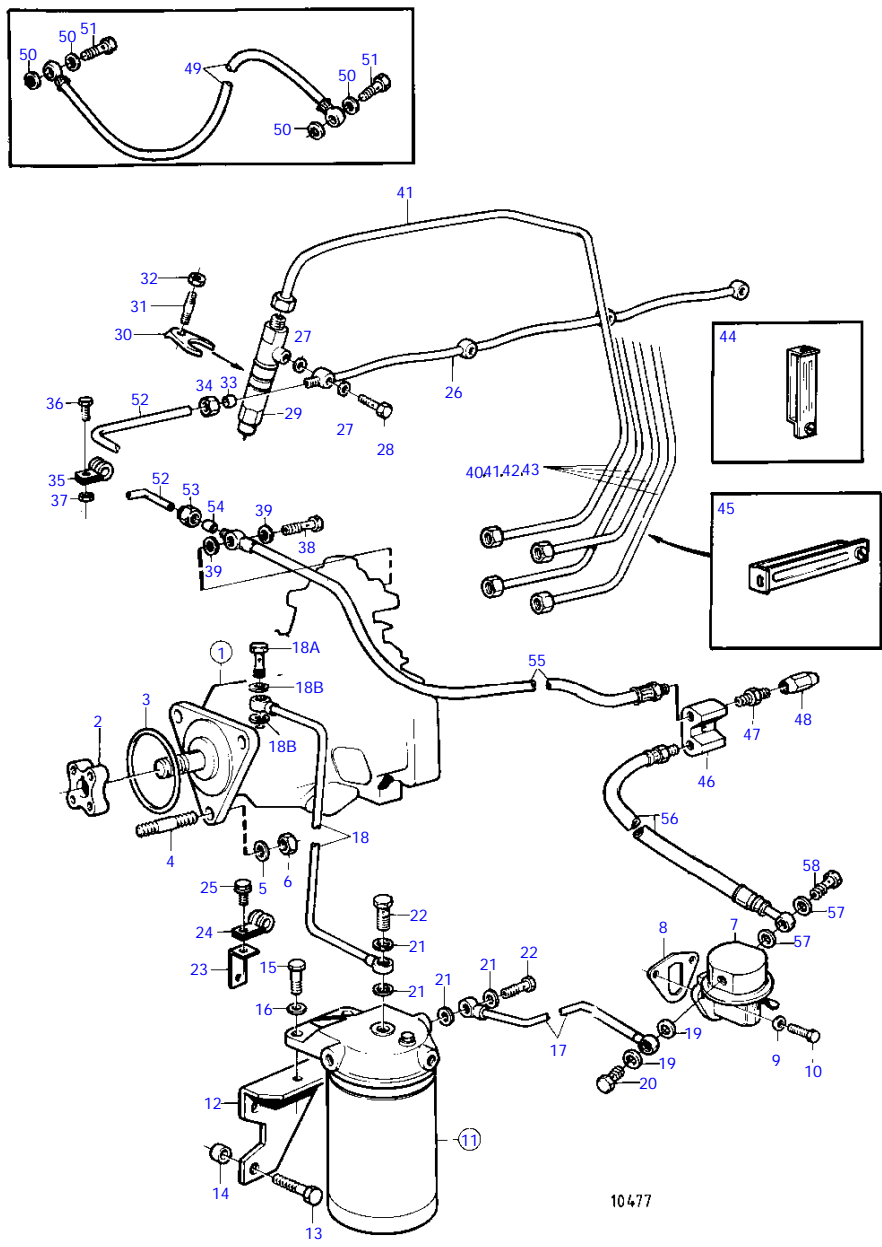


TAMD31B

REF	PART NO.	QTY	DESCRIPTION	NOTES
1	838680	1	Injection pump	PRODUCT NO.868182,868183,868332.
	860185	1	Injection pump	PRODUCT NO.868348, OBSOLETE PART
2	859601	1	Hub	
3	968971	1	O-ring	
4	953047	3	Stud	
5	191172	3	Washer	
6	945408	3	Flange nut	
7	1542170	1	Fuel pump	REPLACED BY FUEL PUMP 860320 AND PIPE 860447, SN-2203113624
	273663	1	* Repair kit	SEE GROUP 10A, OBSOLETE PART
	860320	1	Fuel pump	SN2203113625-
8	3501530	1	Gasket	
9	941907	2	Spring washer	
10	946173	2	Flange screw	
11	840531	1	Fuel filter	
12	838583	1	Bracket	
13	965193	2	Flange screw	
14	843122	2	Spacer sleeve	
15	946329	2	Flange screw	
16	960148	2	Washer	
17	838586	1	Fuel pipe	FOR 1542170
	860447	1	Fuel pipe	FOR 860320
18	838722	1	Fuel pipe	
18A	969299	1	Hollow screw	
18B	11994	2	Gasket	
19	11994	2	Gasket	
20	969299	1	Hollow screw	
21	969011	4	Gasket	
22	25167	2	Hollow screw	
23	846780	1	Bracket	
24	952624	1	Clamp	
25	946544	1	Flange screw	
26	838666	1	Leak-off line	
27	947620	8	Gasket	
28	74033	4	Hollow screw	
29	859494	4	Injector	
	3803235	4	Injector, exch, exch	
30	840402	4	Yoke	
31	924068	4	Stud	
32	945408	4	Flange nut	
33	956966	1	Ferrule	
34	956980	1	Fitting nut	
35	121563	1	Clamp	
36	946544	1	Flange screw	
37	945407	1	Flange nut	
38	969299	1	Hollow screw	
39	11994	2	Gasket	
40	838873	1	Delivery pipe	CYL NO. 1
41	838874	1	Delivery pipe	CYL NO. 2
42	838875	1	Delivery pipe	CYL NO. 3
43	838876	1	Delivery pipe	CYL NO. 4
44	470181	2	Clamp	2-PIPE
45	470183	2	Clamp	4-PIPE
46	829146	1	Fitting	
47	954337	2	Nipple	
48	954323	2	Fitting nut	
49	860131	1	Air vent hose	
50	957171	4	Gasket	
51	74033	2	Hollow screw	
52	860021	1	Return line	
53	956980	1	Fitting nut	
54	956966	1	Ferrule	
55	860028	1	Fuel hose	OBSOLETE PART
56	845646	1	Fuel hose	
57	11994	2	Gasket	
58	969299	1	Hollow screw	



AD31B



10477



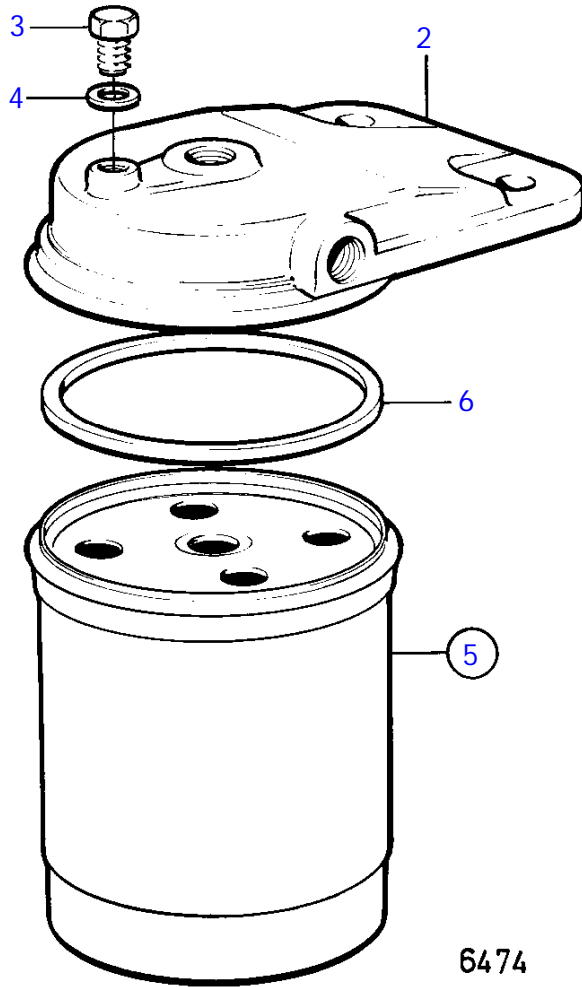
AD31B

REF	PART NO.	QTY	DESCRIPTION	NOTES
1	838680	1	Injection pump	PRODUCT NO.868184
	860185	1	Injection pump	PRODUCT NO.868286, OBSOLETE PART
2	859601	1	Hub	
3	968971	1	O-ring	
4	953047	3	Stud	
5	191172	3	Washer	
6	945408	3	Flange nut	
7	1542170	1	Fuel pump	REPLACED BY FUEL PUMP 860320 AND PIPE 860447, SN-2203113624
	273663	1	* Repair kit	SEE GROUP 10A, OBSOLETE PART
	860320	1	Fuel pump	SN2203113625-
8	3501530	1	Gasket	
9	941907	2	Spring washer	
10	946173	2	Flange screw	
11	840531	1	Fuel filter	
12	838583	1	Bracket	
13	965193	2	Flange screw	
14	843122	2	Spacer sleeve	
15	946329	2	Flange screw	
16	960148	2	Washer	
17	838586	1	Fuel pipe	FOR 1542170
	860447	1	Fuel pipe	FOR 860320
18	838722	1	Fuel pipe	
18A	969299	1	Hollow screw	
18B	11994	2	Gasket	
19	11994	2	Gasket	
20	969299	1	Hollow screw	
21	969011	4	Gasket	
22	25167	2	Hollow screw	
23	846780	1	Bracket	
24	952624	1	Clamp	
25	946544	1	Flange screw	
26	838666	1	Leak-off line	
27	947620	8	Gasket	
28	74033	4	Hollow screw	
29	859494	4	Injector	
	3803235	4	Injector, exch, exch	
30	840402	4	Yoke	
31	924068	4	Stud	
32	945408	4	Flange nut	
33	956966	1	Ferrule	
34	956980	1	Fitting nut	
35	121563	1	Clamp	
36	946544	1	Flange screw	
37	945407	1	Flange nut	
38	969299	1	Hollow screw	
39	11994	2	Gasket	
40	838873	1	Delivery pipe	CYL NO. 1
41	838874	1	Delivery pipe	CYL NO. 2
42	838875	1	Delivery pipe	CYL NO. 3
43	838876	1	Delivery pipe	CYL NO. 4
44	470181	2	Clamp	2-PIPE
45	470183	2	Clamp	4-PIPE
46	829146	1	Fitting	
47	954337	2	Nipple	
48	954323	2	Fitting nut	
49	860131	1	Air vent hose	
50	957171	4	Gasket	
51	74033	2	Hollow screw	
52	860021	1	Return line	
53	956980	1	Fitting nut	
54	956966	1	Ferrule	
55	860028	1	Fuel hose	OBSOLETE PART
56	845646	1	Fuel hose	
57	11994	2	Gasket	
58	969299	1	Hollow screw	





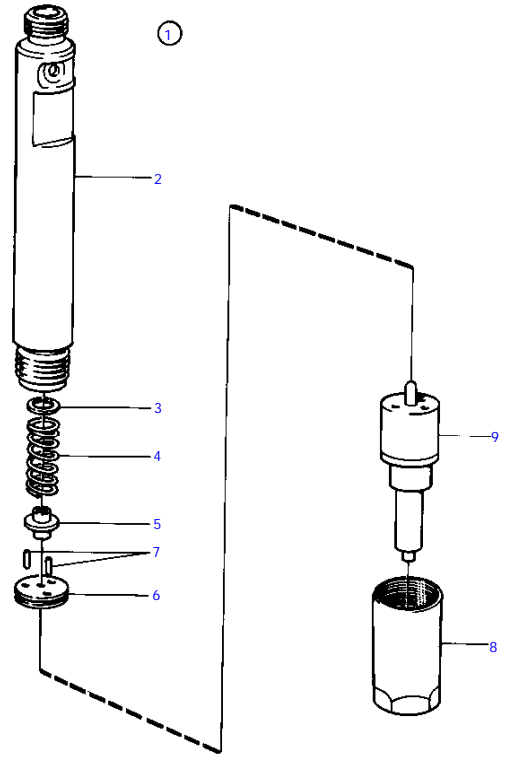
1



--

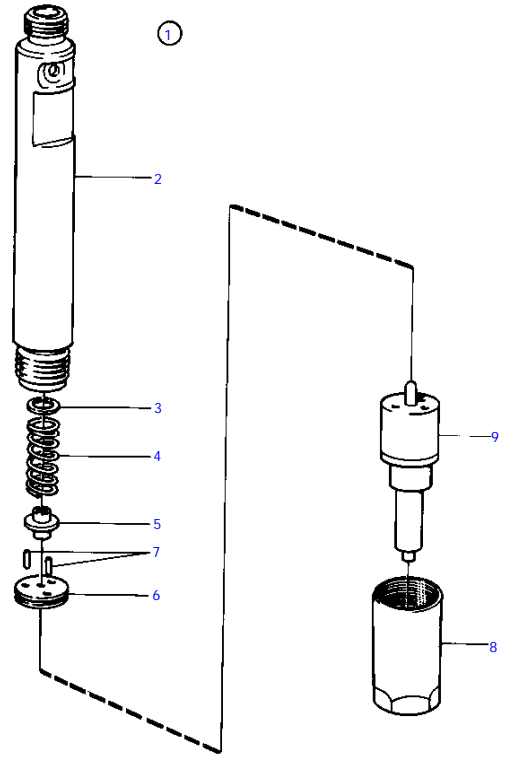
REF	PART NO.	QTY	DESCRIPTION	NOTES
1	840531	1	Fuel filter	
2		1	• COVER	
3	240664	1	• Bleeder screw	(233017)
4	25534	1	• Gasket	
5	829993	1	• Filter	
6		1	• • Gasket	





8353

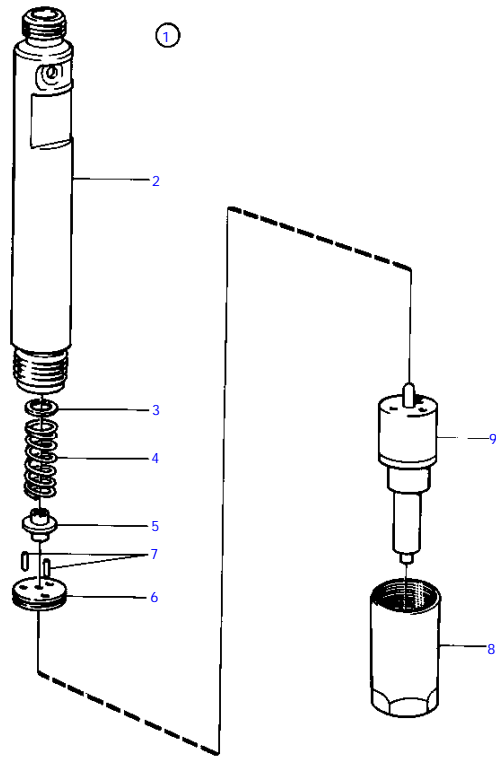
REF	PART NO.	QTY	DESCRIPTION	NOTES
1	838665	1	Injector	
	3803231	1	Injector, exch, exch	
2		1	* NOZZLE HOLDER	
3	243467	X	* * Adjusting washer	TH = 1.00mm
	243468	X	* * Adjusting washer	TH = 1.05mm
	6885721	X	* * Shim	TH = 1.08mm
	243469	X	* * Adjusting washer	TH = 1.10mm
	243470	X	* * Adjusting washer	TH = 1.15mm
	243471	X	* * Adjusting washer	TH = 1,20 MM
	243472	X	* * Adjusting washer	TH = 1,25 MM
	6885724	X	* * Shim	TH = 1,28 MM
	243473	X	* * Adjusting washer	TH = 1,30 MM
	243474	X	* * Adjusting washer	TH = 1,35 MM
	243475	X	* * Adjusting washer	TH = 1,40 MM
	243476	X	* * Adjusting washer	TH = 1,45 MM
	6885727	X	* * Shim	TH = 1,48 MM
	243477	X	* * Adjusting washer	TH = 1,50 MM
	243478	X	* * Adjusting washer	TH = 1,55 MM
	243479	X	* * Adjusting washer	TH = 1,60 MM
	243480	X	* * Adjusting washer	TH = 1,65 MM
	6885730	X	* * Shim	TH = 1,68 MM
	243481	X	* * Adjusting washer	TH = 1,70 MM
	243482	X	* * Adjusting washer	TH = 1,75 MM
	243483	X	* * Adjusting washer	TH = 1,80 MM
	6885739	X	* * Shim	TH = 1,84 MM
	6885740	X	* * Shim	TH = 1,88 MM
	243485	X	* * Adjusting washer	TH = 1,90 MM
	243486	X	* * Adjusting washer	TH = 1,95 MM
4	6885720	1	* * Compression spring	
5	244906	1	* * Retainer	
6	6885743	1	* * Washer	
7	244907	2	* * Locating pin	
8	243489	1	* * Nut	
9	858358	1	* Nozzle	



8353

--

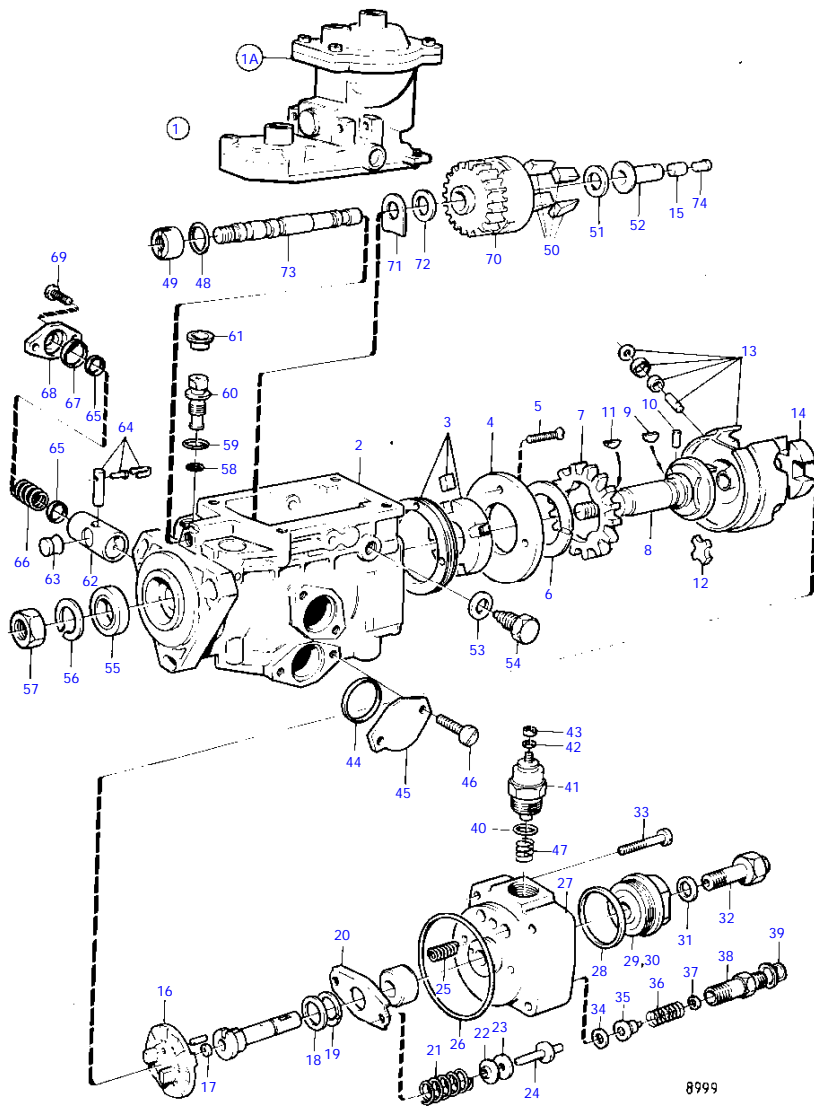
REF	PART NO.	QTY	DESCRIPTION	NOTES
1	858299	1	Injector	
	3803234	1	Injector, exch, exch	
2		1	• NOZZLE HOLDER	
3	243467	X	• • Adjusting washer	TH = 1.00mm
	243468	X	• • Adjusting washer	TH = 1.05mm
	6885721	X	• • Shim	TH = 1.08mm
	243469	X	• • Adjusting washer	TH = 1.10mm
	243470	X	• • Adjusting washer	TH = 1.15mm
	243471	X	• • Adjusting washer	TH = 1,20 MM
	243472	X	• • Adjusting washer	TH = 1,25 MM
	6885724	X	• • Shim	TH = 1,28 MM
	243473	X	• • Adjusting washer	TH = 1,30 MM
	243474	X	• • Adjusting washer	TH = 1,35 MM
	243475	X	• • Adjusting washer	TH = 1,40 MM
	243476	X	• • Adjusting washer	TH = 1,45 MM
	6885727	X	• • Shim	TH = 1,48 MM
	243477	X	• • Adjusting washer	TH = 1,50 MM
	243478	X	• • Adjusting washer	TH = 1,55 MM
	243479	X	• • Adjusting washer	TH = 1,60 MM
	243480	X	• • Adjusting washer	TH = 1,65 MM
	6885730	X	• • Shim	TH = 1,68 MM
	243481	X	• • Adjusting washer	TH = 1,70 MM
	243482	X	• • Adjusting washer	TH = 1,75 MM
	243483	X	• • Adjusting washer	TH = 1,80 MM
	6885739	X	• • Shim	TH = 1,84 MM
	6885740	X	• • Shim	TH = 1,88 MM
	243485	X	• • Adjusting washer	TH = 1,90 MM
	243486	X	• • Adjusting washer	TH = 1,95 MM
4	6885720	1	• • Compression spring	
5	244906	1	• • Retainer	
6	6885743	1	• • Washer	
7	244907	2	• • Locating pin	
8	243489	1	• • Nut	
9	858205	1	• Nozzle	



8353

--

REF	PART NO.	QTY	DESCRIPTION	NOTES
1	859494	1	Injector	
	3803235	1	Injector, exch, exch	
2		1	• NOZZLE HOLDER	
3	243467	X	• • Adjusting washer	TH = 1.00mm
	243468	X	• • Adjusting washer	TH = 1.05mm
	6885721	X	• • Shim	TH = 1.08mm
	243469	X	• • Adjusting washer	TH = 1.10mm
	243470	X	• • Adjusting washer	TH = 1.15mm
	243471	X	• • Adjusting washer	TH = 1,20 MM
	243472	X	• • Adjusting washer	TH = 1,25 MM
	6885724	X	• • Shim	TH = 1,28 MM
	243473	X	• • Adjusting washer	TH = 1,30 MM
	243474	X	• • Adjusting washer	TH = 1,35 MM
	243475	X	• • Adjusting washer	TH = 1,40 MM
	243476	X	• • Adjusting washer	TH = 1,45 MM
	6885727	X	• • Shim	TH = 1,48 MM
	243477	X	• • Adjusting washer	TH = 1,50 MM
	243478	X	• • Adjusting washer	TH = 1,55 MM
	243479	X	• • Adjusting washer	TH = 1,60 MM
	243480	X	• • Adjusting washer	TH = 1,65 MM
	6885730	X	• • Shim	TH = 1,68 MM
	243481	X	• • Adjusting washer	TH = 1,70 MM
	243482	X	• • Adjusting washer	TH = 1,75 MM
	243483	X	• • Adjusting washer	TH = 1,80 MM
	6885739	X	• • Shim	TH = 1,84 MM
	6885740	X	• • Shim	TH = 1,88 MM
	243485	X	• • Adjusting washer	TH = 1,90 MM
	243486	X	• • Adjusting washer	TH = 1,95 MM
4	6885720	1	• • Compression spring	
5		1	• • BOLT	
6		1	• • WASHER	
7	244907	2	• • Locating pin	
8	243489	1	• • Nut	
9	859782	1	• Nozzle	



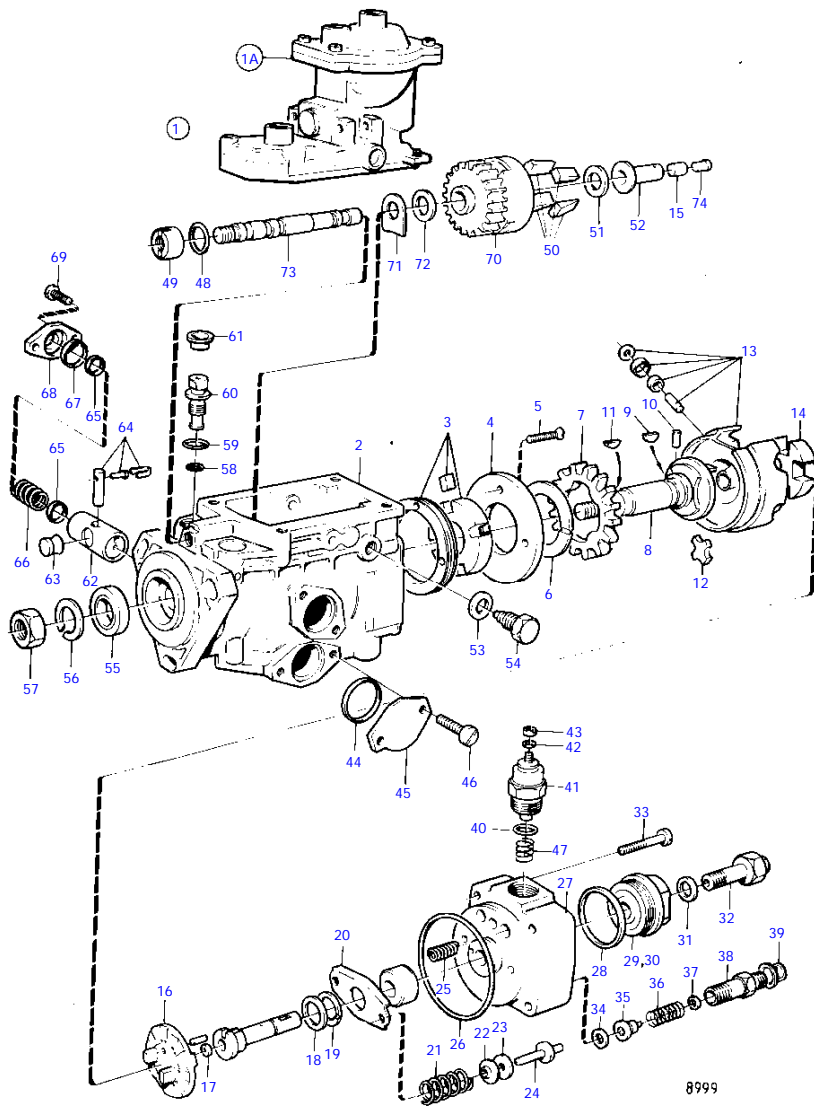
8999

REF	PART NO.	QTY	DESCRIPTION	SEE SEC.	NOTES
1	858207	1	Injection pump		OBSOLETE PART
1A		1	* REGULATOR		
1			* *	19204	
2		1	* HOUSING		
3	244917	1	* Rotor		OBSOLETE PART
4	860034	1	* Support ring		(244918), OBSOLETE PART
5	838334	2	* Screw		OBSOLETE PART
6	844146	1	* Washer		OBSOLETE PART
7	844147	1	* Gear		OBSOLETE PART
8		1	* Shaft		
9	844293	1	* Key		OBSOLETE PART
10		1	* PIN		
11	243734	1	* Woodruff key		
12	844150	2	* Absorber		
13	859352	1	* Bearing kit		OBSOLETE PART
14		1	* Gasket		
15	845755	1	* Cover		OBSOLETE PART
16		1	* CARRIER		
17	243531	1	* Adjusting washer		OBSOLETE PART, TH = 1,80 MM
	243534	1	* Adjusting washer		OBSOLETE PART, TH = 1,94 MM
	845726	1	* Shim		OBSOLETE PART, TH = 2,00 MM
	844155	1	* Adjusting washer		OBSOLETE PART, TH = 2,12 MM
	844156	1	* Adjusting washer		OBSOLETE PART, TH = 2,20 MM
	845729	1	* Shim		OBSOLETE PART, TH = 2,32 MM
	845730	1	* Shim		OBSOLETE PART, TH = 2,40 MM
	243545	1	* Adjusting washer		OBSOLETE PART, TH = 2,50 MM
	844158	1	* Adjusting washer		OBSOLETE PART, TH = 2,52 MM
	844159	1	* Adjusting washer		OBSOLETE PART, TH = 2,60 MM
	844160	1	* Adjusting washer		OBSOLETE PART, TH = 2,72 MM
	844161	1	* Adjusting washer		OBSOLETE PART, TH = 2,80 MM
18	243527	1	* Gasket		OBSOLETE PART
19	244809	1	* Washer		OBSOLETE PART
20	844162	1	* Washer		OBSOLETE PART
21	859353	1	* Spring kit		
22	844163	2	* Spring disc		OBSOLETE PART
23	844165	1	* Washer		OBSOLETE PART
24		2	*		
25	859462	2	* Spring		OBSOLETE PART, (844167)
26	243555	1	* Sealing ring		OBSOLETE PART
27		1	*		
28	838402	1	* O-ring		OBSOLETE PART
29	844171	1	* Fitting		OBSOLETE PART
30		1	* SCREW UNION		
31	947620	1	* Gasket		
32		1	* AIR SCREW		
33	244931	4	* Hex. socket screw		OBSOLETE PART
34	845738	4	* Washer		
35	244927	4	* Delivery valve		
36	244928	4	* Compression spring		
37	244929	4	* Bushing		
38	244930	4	* Retainer		OBSOLETE PART
39		X	* COVER		
40		1	* O-RING		
41		1	* Stop solenoid	24V	
42		1	* WASHER		
43		1	* NUT		
44	838445	1	* O-ring		
45	244924	1	* Cover		OBSOLETE PART, SN-2203103990
	859305	1	* Cover		OBSOLETE PART, SN2203103991-2203105907
	244924	1	* Cover		OBSOLETE PART, SN2203105908-
46	244923	2	* Screw		OBSOLETE PART
47	844186	1	* Spring		
48	243786	1	* O-ring		
49	844217	1	* Nut		OBSOLETE PART
50	844212	1	* Regulator weight		OBSOLETE PART
51	838348	1	* Spacer washer		OBSOLETE PART
52	845754	1	* Control sleeve		OBSOLETE PART
53	838346	2	* Gasket		
54	838345	2	* Screw		OBSOLETE PART
55	845744	1	* Sealing ring		OBSOLETE PART
56	955925	1	* Spring washer		
57	955804	1	* Hexagon nut		
58	243521	1	* Sealing ring		
59	243520	1	* Sealing ring		
60	244683	1	* Valve		OBSOLETE PART
61		1	* PLUG		
62	244922	1	* Piston		OBSOLETE PART, SN-2203105907
	244924	1	* Cover		OBSOLETE PART, SN2203105908-
63	858907	1	* Roller		OBSOLETE PART
64	244974	1	* Kit		OBSOLETE PART
65	244425	2	* Adjusting washer		OBSOLETE PART
66	859344	1	* Compression spring		OBSOLETE PART, L = 37,40 MM
	845748	1	* Spring		OBSOLETE PART, L = 37,70 MM
	859278	1	* Compression spring		OBSOLETE PART, L = 38,00 MM
67	838445	1	* O-ring		
68	844185	1	* Flange		OBSOLETE PART
69	244923	2	* Screw		OBSOLETE PART
70	844213	1	* Control knob		OBSOLETE PART
71	844215	1	* Washer		OBSOLETE PART
72	845750	1	* Washer		OBSOLETE PART, TH = 1,30 MM

--

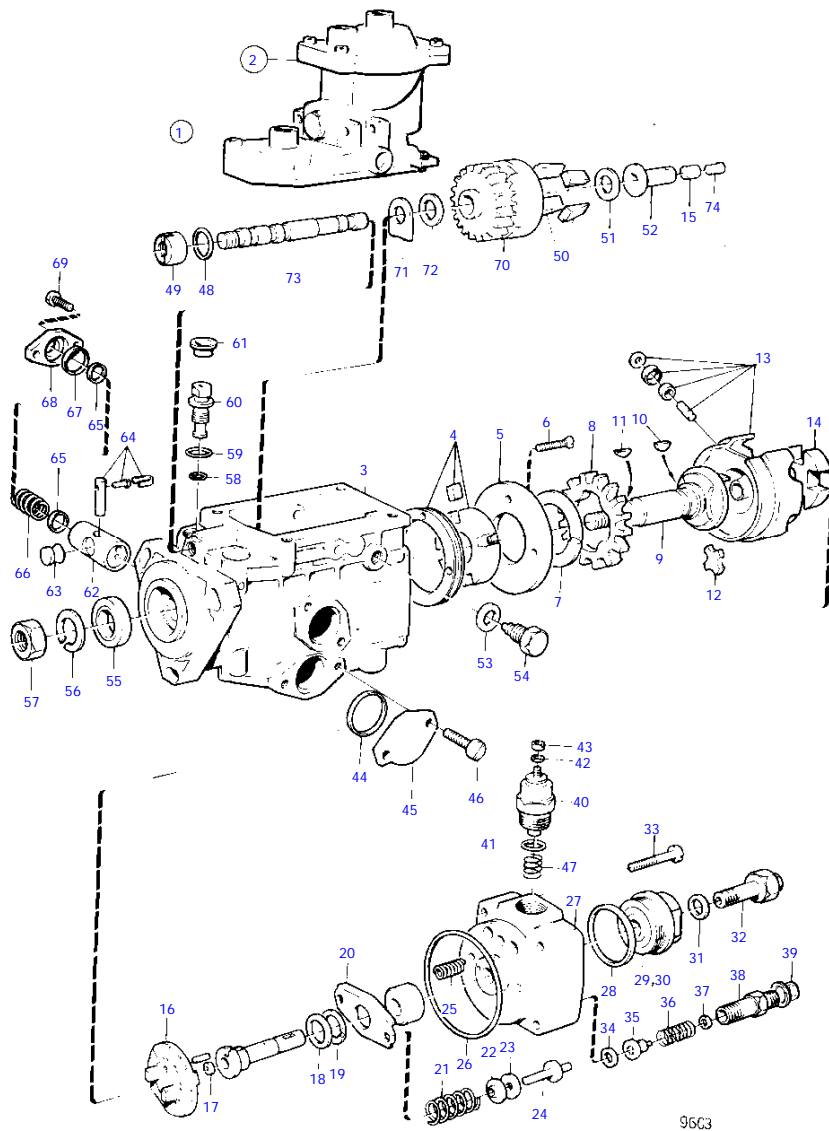
REF	PART NO.	QTY	DESCRIPTION	SEE SEC.	NOTES
	845751	1	* Washer		OBSOLETE PART, TH = 1,35 MM
	844214	1	* Washer		OBSOLETE PART, TH = 1,40 MM
73	838347	1	* Control shaft		OBSOLETE PART
74	845757	1	* Pin		OBSOLETE PART, L=7,60mm
	845758	1	* Pin		OBSOLETE PART, L=7,80mm
	845759	1	* Pin		OBSOLETE PART, L=8,00mm
	845760	1	* Pin		OBSOLETE PART, L=8,20mm
	845761	1	* Pin		OBSOLETE PART, L=8,40mm
	845762	1	* Pin		OBSOLETE PART, L=8,60mm
	845763	1	* Pin		OBSOLETE PART, L=8,80mm
	845764	1	* Pin		OBSOLETE PART, L=9,00mm
	845765	1	* Pin		OBSOLETE PART, L=9,20mm
	845766	1	* Pin		OBSOLETE PART, L=9,40mm
	845767	1	* Pin		OBSOLETE PART, L=9,60mm
	845768	1	* Pin		OBSOLETE PART, L=9,80mm
	845769	1	* Pin		OBSOLETE PART, L=10,00mm
	845770	1	* Pin		OBSOLETE PART, L=10,20mm
	845771	1	* Pin, STOP PIN		OBSOLETE PART, L=10,40mm
	844240	X	Gasket kit		





REF	PART NO.	QTY	DESCRIPTION	NOTES
1	838640	1	Injection pump	OBSOLETE PART
1A		1	* REGULATOR	
2		1	* HOUSING	
3	244917	1	* Rotor	OBSOLETE PART
4	860034	1	* Support ring	(244918), OBSOLETE PART
5	838334	2	* Screw	OBSOLETE PART
6	844146	1	* Washer	OBSOLETE PART
7	844147	1	* Gear	OBSOLETE PART
8		1	* Shaft	
9	844293	1	* Key	OBSOLETE PART
10		1	* PIN	
11	243734	1	* Woodruff key	
12	844150	2	* Absorber	
13	859352	1	* Bearing kit	OBSOLETE PART
14		1	* Gasket	
15	845755	1	* Cover	OBSOLETE PART
16		1	* CARRIER	
17	243531	1	* Adjusting washer	OBSOLETE PART, TH = 1,80 MM
	243534	1	* Adjusting washer	OBSOLETE PART, TH = 1,94 MM
	845726	1	* Shim	OBSOLETE PART, TH = 2,00 MM
	844155	1	* Adjusting washer	OBSOLETE PART, TH = 2,12 MM
	844156	1	* Adjusting washer	OBSOLETE PART, TH = 2,20 MM
	845729	1	* Shim	OBSOLETE PART, TH = 2,32 MM
	845730	1	* Shim	OBSOLETE PART, TH = 2,40 MM
	243545	1	* Adjusting washer	OBSOLETE PART, TH = 2,50 MM
	844158	1	* Adjusting washer	OBSOLETE PART, TH = 2,52 MM
	844159	1	* Adjusting washer	OBSOLETE PART, TH = 2,60 MM
	844160	1	* Adjusting washer	OBSOLETE PART, TH = 2,72 MM
	844161	1	* Adjusting washer	OBSOLETE PART, TH = 2,80 MM
18	243527	1	* Gasket	OBSOLETE PART
19	244809	1	* Washer	OBSOLETE PART
20	844162	1	* Washer	OBSOLETE PART
21	859353	1	* Spring kit	
22	844163	2	* Spring disc	OBSOLETE PART
23	844165	1	* Washer	OBSOLETE PART
24		2	*	
25	859462	2	* Spring	OBSOLETE PART, (844167)
26	243555	1	* Sealing ring	OBSOLETE PART
27		1	*	
28	838402	1	* O-ring	OBSOLETE PART
29	844171	1	* Fitting	OBSOLETE PART
30		1	* * SCREW UNION	
31	947620	1	* * Gasket	
32		1	* * AIR SCREW	
33	244931	4	* Hex. socket screw	OBSOLETE PART
34	845738	4	* Washer	
35	244927	4	* Delivery valve	
36	244928	4	* Compression spring	
37	244929	4	* Bushing	
38	244930	4	* Retainer	OBSOLETE PART
39		X	* COVER	
40		1	* O-RING	
41		1	* Stop solenoid	24V
42		1	* WASHER	
43		1	* NUT	
44	838445	1	* O-ring	
45	244924	1	* Cover	OBSOLETE PART, SN-2203103990
	859305	1	* Cover	OBSOLETE PART, SN2203103991-2203105907
	244924	1	* Cover	OBSOLETE PART, SN2203105908-
46	244923	2	* Screw	OBSOLETE PART
47	844186	1	* Spring	
48	243786	1	* O-ring	
49	844217	1	* Nut	OBSOLETE PART
50	844212	1	* Regulator weight	OBSOLETE PART
51	838348	1	* Spacer washer	OBSOLETE PART
52	845754	1	* Control sleeve	OBSOLETE PART
53	838346	2	* Gasket	
54	838345	2	* Screw	OBSOLETE PART
55	845744	1	* Sealing ring	OBSOLETE PART
56	955925	1	* Spring washer	
57	955804	1	* Hexagon nut	
58	243521	1	* Sealing ring	
59	243520	1	* Sealing ring	
60	244683	1	* Valve	OBSOLETE PART
61		1	* PLUG	
62	244922	1	* Piston	OBSOLETE PART, SN-2203105907
	244924	1	* Cover	OBSOLETE PART, SN2203105908-
63	858907	1	* Roller	OBSOLETE PART
64	244974	1	* Kit	OBSOLETE PART
65	244425	2	* Adjusting washer	OBSOLETE PART
66	859344	1	* Compression spring	OBSOLETE PART, L = 37,40 MM
	845748	1	* Spring	OBSOLETE PART, L = 37,70 MM
	859278	1	* Compression spring	OBSOLETE PART, L = 38,00 MM
67	838445	1	* O-ring	
68	844185	1	* Flange	OBSOLETE PART
69	244923	2	* Screw	OBSOLETE PART
70	844213	1	* Control knob	OBSOLETE PART
71	844215	1	* Washer	OBSOLETE PART
72	845750	1	* Washer	OBSOLETE PART, TH = 1,30 MM
	845751	1	* Washer	OBSOLETE PART, TH = 1,35 MM

REF	PART NO.	QTY	DESCRIPTION	NOTES
	844214	1	* Washer	OBSOLETE PART, TH = 1,40 MM
73	838347	1	* Control shaft	OBSOLETE PART
74	845757	1	* Pin	OBSOLETE PART, L=7,60mm
	845758	1	* Pin	OBSOLETE PART, L=7,80mm
	845759	1	* Pin	OBSOLETE PART, L=8,00mm
	845760	1	* Pin	OBSOLETE PART, L=8,20mm
	845761	1	* Pin	OBSOLETE PART, L=8,40mm
	845762	1	* Pin	OBSOLETE PART, L=8,60mm
	845763	1	* Pin	OBSOLETE PART, L=8,80mm
	845764	1	* Pin	OBSOLETE PART, L=9,00mm
	845765	1	* Pin	OBSOLETE PART, L=9,20mm
	845766	1	* Pin	OBSOLETE PART, L=9,40mm
	845767	1	* Pin	OBSOLETE PART, L=9,60mm
	845768	1	* Pin	OBSOLETE PART, L=9,80mm
	845769	1	* Pin	OBSOLETE PART, L=10,00mm
	845770	1	* Pin	OBSOLETE PART, L=10,20mm
	845771	1	* Pin, STOP PIN	OBSOLETE PART, L=10,40mm
	844240	X	Gasket kit	

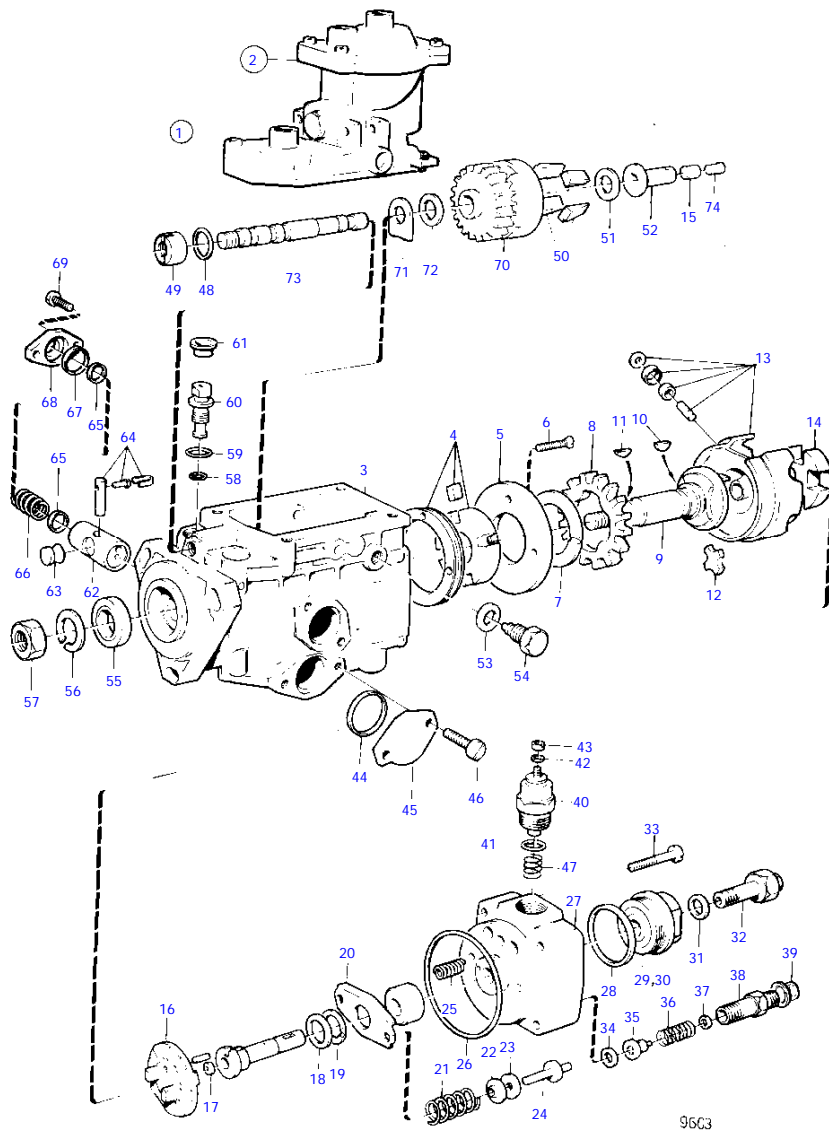


REF	PART NO.	QTY	DESCRIPTION	SEE SEC.	NOTES
1	838679	1	Injection pump		
2		1	* REGULATOR		
			* *	19204	
3		1	* HOUSING		
4	244917	1	* Rotor		OBSOLETE PART
5	860034	1	* Support ring		(244918), OBSOLETE PART
6	838334	2	* Screw		OBSOLETE PART
7	844146	1	* Washer		OBSOLETE PART
8	844147	1	* Gear		OBSOLETE PART
9		1	* Shaft		
10	844293	1	* Key		OBSOLETE PART
11	243734	1	* Woodruff key		
12	844150	2	* Absorber		
13	859352	1	* Bearing kit		OBSOLETE PART
14		1	* Gasket		
15	845755	1	* Cover		OBSOLETE PART
16		1	* CARRIER		
17	243531	1	* Adjusting washer		OBSOLETE PART, TH = 1,80 MM
	243534	1	* Adjusting washer		OBSOLETE PART, TH = 1,94 MM
	845726	1	* Shim		OBSOLETE PART, TH = 2,00 MM
	844155	1	* Adjusting washer		OBSOLETE PART, TH = 2,12 MM
	844156	1	* Adjusting washer		OBSOLETE PART, TH = 2,20 MM
	845729	1	* Shim		OBSOLETE PART, TH = 2,32 MM
	845730	1	* Shim		OBSOLETE PART, TH = 2,40 MM
	243545	1	* Adjusting washer		OBSOLETE PART, TH = 2,50 MM
	844158	1	* Adjusting washer		OBSOLETE PART, TH = 2,52 MM
	844159	1	* Adjusting washer		OBSOLETE PART, TH = 2,60 MM
	844160	1	* Adjusting washer		OBSOLETE PART, TH = 2,72 MM
	844161	1	* Adjusting washer		OBSOLETE PART, TH = 2,80 MM
18	243527	1	* Gasket		OBSOLETE PART
19	244809	1	* Washer		OBSOLETE PART
20	844162	1	* Washer		OBSOLETE PART
21	859353	1	* Spring kit		
22	844163	2	* Spring disc		OBSOLETE PART
23	844165	1	* Washer		OBSOLETE PART
24		2	*		
25	859462	2	* Spring		OBSOLETE PART, (844167)
26	243555	1	* Sealing ring		OBSOLETE PART
27		1	*		
28	838402	1	* O-ring		OBSOLETE PART
29	844171	1	* Fitting		OBSOLETE PART
30		1	* * SCREW UNION		
31	947620	1	* * Gasket		
32		1	* * AIR SCREW		
33	244931	4	* Hex. socket screw		OBSOLETE PART
34	845738	4	* Washer		
35	244927	4	* Delivery valve		
36	244928	4	* Compression spring		
37	244929	4	* Bushing		
38	244930	4	* Retainer		OBSOLETE PART
39		1	* COVER		
40		1	* Magnet	12V	
41		1	* * O-RING		
42		1	* WASHER		
43		1	* NUT		
44	838445	1	* O-ring		
45	244924	1	* Cover		OBSOLETE PART, SN-2203103990
	859305	1	* Cover		OBSOLETE PART, SN2203103991-2203105907
	244924	1	* Cover		OBSOLETE PART, SN2203105908-
46	244923	2	* Screw		OBSOLETE PART
47	844186	1	* Spring		
48	243786	1	* O-ring		
49	844217	1	* Nut		OBSOLETE PART
50	844212	1	* Regulator weight		OBSOLETE PART
51	838348	1	* Spacer washer		OBSOLETE PART
52	845754	1	* Control sleeve		OBSOLETE PART
53	838346	2	* Gasket		
54	838345	2	* Screw		OBSOLETE PART
55	845744	1	* Sealing ring		OBSOLETE PART
56	941911	1	* Spring washer		
57	955804	1	* Hexagon nut		
58	243521	1	* Sealing ring		
59	243520	1	* Sealing ring		
60	244683	1	* Valve		OBSOLETE PART
61		1	* PLUG		
62	244922	1	* Piston		OBSOLETE PART, SN-2203105907
	859455	1	* Piston		OBSOLETE PART, SN2203105908-
63	858907	1	* Roller		OBSOLETE PART
64	244974	1	* Kit		OBSOLETE PART
65	244425	2	* Adjusting washer		OBSOLETE PART
66	859344	1	* Compression spring		OBSOLETE PART, L = 37,40 MM
	845748	1	* Spring		OBSOLETE PART, L = 37,70 MM
	859278	1	* Compression spring		OBSOLETE PART, L = 38,00 MM
67	838445	1	* O-ring		
68	844185	1	* Flange		OBSOLETE PART
69	244923	2	* Screw		OBSOLETE PART
70	844213	1	* Control knob		OBSOLETE PART
71	844215	1	* Washer		OBSOLETE PART
72	845750	1	* Washer		OBSOLETE PART, TH = 1,30 MM
	845751	1	* Washer		OBSOLETE PART, TH = 1,35 MM

--

REF	PART NO.	QTY	DESCRIPTION	SEE SEC.	NOTES
	844214	1	• Washer		OBSOLETE PART, TH = 1,40 MM
73	838347	1	• Control shaft		OBSOLETE PART
74	845757	1	• Pin		OBSOLETE PART, L=7,60mm
	845758	1	• Pin		OBSOLETE PART, L=7,80mm
	845759	1	• Pin		OBSOLETE PART, L=8,00mm
	845760	1	• Pin		OBSOLETE PART, L=8,20mm
	845761	1	• Pin		OBSOLETE PART, L=8,40mm
	845762	1	• Pin		OBSOLETE PART, L=8,60mm
	845763	1	• Pin		OBSOLETE PART, L=8,80mm
	845764	1	• Pin		OBSOLETE PART, L=9,00mm
	845765	1	• Pin		OBSOLETE PART, L=9,20mm
	845766	1	• Pin		OBSOLETE PART, L=9,40mm
	845767	1	• Pin		OBSOLETE PART, L=9,60mm
	845768	1	• Pin		OBSOLETE PART, L=9,80mm
	845769	1	• Pin		OBSOLETE PART, L=10,00mm
	845770	1	• Pin		OBSOLETE PART, L=10,20mm
	845771	1	• Pin, STOP PIN		OBSOLETE PART, L=10,40mm
	844240	X	• • Gasket kit		

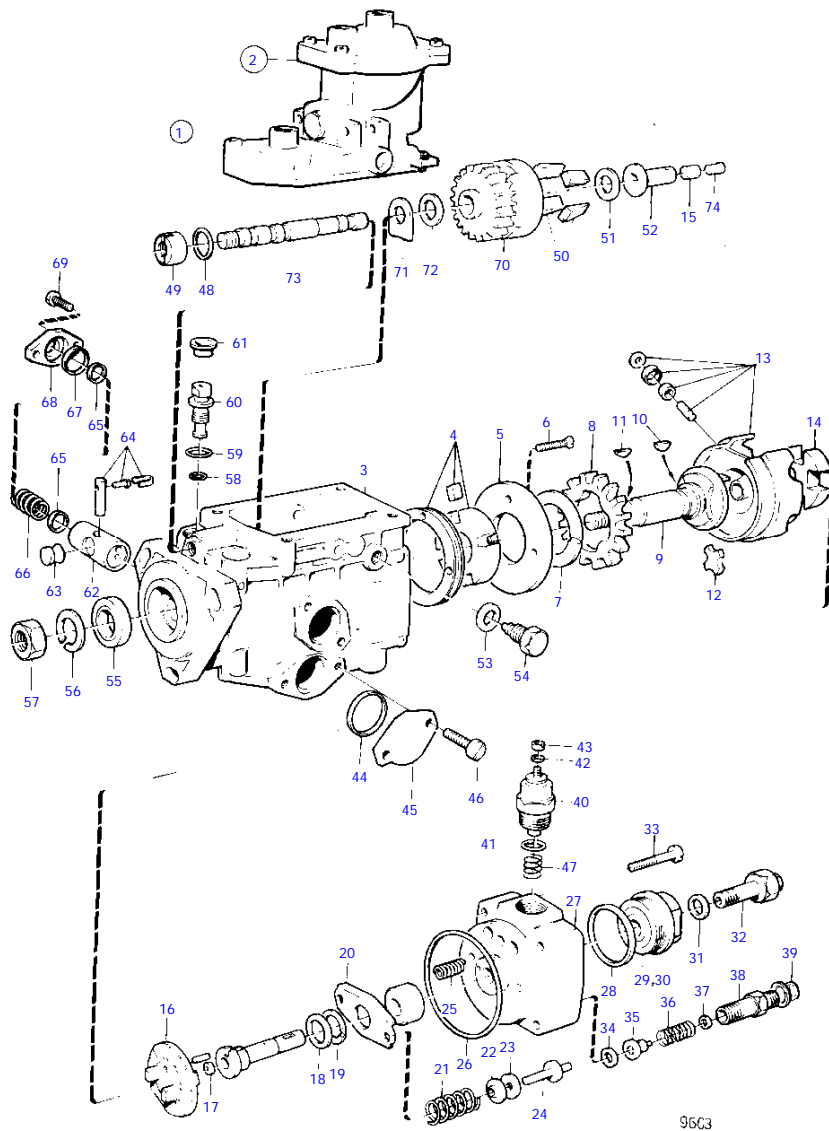




REF	PART NO.	QTY	DESCRIPTION	NOTES
1	838680	1	Injection pump	
2		1	* REGULATOR	
3		1	* HOUSING	
4	244917	1	* Rotor	OBSOLETE PART
5	860034	1	* Support ring	(244918), OBSOLETE PART
6	838334	2	* Screw	OBSOLETE PART
7	844146	1	* Washer	OBSOLETE PART
8	844147	1	* Gear	OBSOLETE PART
9		1	* Shaft	
10	844293	1	* Key	OBSOLETE PART
11	243734	1	* Woodruff key	
12	844150	2	* Absorber	
13	859352	1	* Bearing kit	OBSOLETE PART
14		1	* Gasket	
15	845755	1	* Cover	OBSOLETE PART
16		1	* CARRIER	
17	243531	1	* Adjusting washer	OBSOLETE PART, TH = 1,80 MM
	243534	1	* Adjusting washer	OBSOLETE PART, TH = 1,94 MM
	845726	1	* Shim	OBSOLETE PART, TH = 2,00 MM
	844155	1	* Adjusting washer	OBSOLETE PART, TH = 2,12 MM
	844156	1	* Adjusting washer	OBSOLETE PART, TH = 2,20 MM
	845729	1	* Shim	OBSOLETE PART, TH = 2,32 MM
	845730	1	* Shim	OBSOLETE PART, TH = 2,40 MM
	243545	1	* Adjusting washer	OBSOLETE PART, TH = 2,50 MM
	844158	1	* Adjusting washer	OBSOLETE PART, TH = 2,52 MM
	844159	1	* Adjusting washer	OBSOLETE PART, TH = 2,60 MM
	844160	1	* Adjusting washer	OBSOLETE PART, TH = 2,72 MM
	844161	1	* Adjusting washer	OBSOLETE PART, TH = 2,80 MM
18	243527	1	* Gasket	OBSOLETE PART
19	244809	1	* Washer	OBSOLETE PART
20	844162	1	* Washer	OBSOLETE PART
21	859353	1	* Spring kit	
22	844163	2	* Spring disc	OBSOLETE PART
23	844165	1	* Washer	OBSOLETE PART
24		2	*	
25	859462	2	* Spring	OBSOLETE PART, (844167)
26	243555	1	* Sealing ring	OBSOLETE PART
27		1	*	
28	838402	1	* O-ring	OBSOLETE PART
29	844171	1	* Fitting	OBSOLETE PART
30		1	* SCREW UNION	
31	947620	1	* Gasket	
32		1	* AIR SCREW	
33	244931	4	* Hex. socket screw	OBSOLETE PART
34	845738	4	* Washer	
35	244927	4	* Delivery valve	
36	244928	4	* Compression spring	
37	244929	4	* Bushing	
38	244930	4	* Retainer	OBSOLETE PART
39		1	* COVER	
40		1	* Magnet	12V
41		1	* O-RING	
42		1	* WASHER	
43		1	* NUT	
44	838445	1	* O-ring	
45	244924	1	* Cover	OBSOLETE PART, SN-2203103990
	859305	1	* Cover	OBSOLETE PART, SN2203103991-2203105907
	244924	1	* Cover	OBSOLETE PART, SN2203105908-
46	244923	2	* Screw	OBSOLETE PART
47	844186	1	* Spring	
48	243786	1	* O-ring	
49	844217	1	* Nut	OBSOLETE PART
50	844212	1	* Regulator weight	OBSOLETE PART
51	838348	1	* Spacer washer	OBSOLETE PART
52	845754	1	* Control sleeve	OBSOLETE PART
53	838346	2	* Gasket	
54	838345	2	* Screw	OBSOLETE PART
55	845744	1	* Sealing ring	OBSOLETE PART
56	941911	1	* Spring washer	
57	955804	1	* Hexagon nut	
58	243521	1	* Sealing ring	
59	243520	1	* Sealing ring	
60	244683	1	* Valve	OBSOLETE PART
61		1	* PLUG	
62	244922	1	* Piston	OBSOLETE PART, SN-2203105907
	859455	1	* Piston	OBSOLETE PART, SN2203105908-
63	858907	1	* Roller	OBSOLETE PART
64	244974	1	* Kit	OBSOLETE PART
65	244425	2	* Adjusting washer	OBSOLETE PART
66	859344	1	* Compression spring	OBSOLETE PART, L = 37,40 MM
	845748	1	* Spring	OBSOLETE PART, L = 37,70 MM
	859278	1	* Compression spring	OBSOLETE PART, L = 38,00 MM
67	838445	1	* O-ring	
68	844185	1	* Flange	OBSOLETE PART
69	244923	2	* Screw	OBSOLETE PART
70	844213	1	* Control knob	OBSOLETE PART
71	844215	1	* Washer	OBSOLETE PART
72	845750	1	* Washer	OBSOLETE PART, TH = 1,30 MM
	845751	1	* Washer	OBSOLETE PART, TH = 1,35 MM
	844214	1	* Washer	OBSOLETE PART, TH = 1,40 MM

REF	PART NO.	QTY	DESCRIPTION	NOTES
73	838347	1	* Control shaft	OBSOLETE PART
74	845757	1	* Pin	OBSOLETE PART, L=7,60mm
	845758	1	* Pin	OBSOLETE PART, L=7,80mm
	845759	1	* Pin	OBSOLETE PART, L=8,00mm
	845760	1	* Pin	OBSOLETE PART, L=8,20mm
	845761	1	* Pin	OBSOLETE PART, L=8,40mm
	845762	1	* Pin	OBSOLETE PART, L=8,60mm
	845763	1	* Pin	OBSOLETE PART, L=8,80mm
	845764	1	* Pin	OBSOLETE PART, L=9,00mm
	845765	1	* Pin	OBSOLETE PART, L=9,20mm
	845766	1	* Pin	OBSOLETE PART, L=9,40mm
	845767	1	* Pin	OBSOLETE PART, L=9,60mm
	845768	1	* Pin	OBSOLETE PART, L=9,80mm
	845769	1	* Pin	OBSOLETE PART, L=10,00mm
	845770	1	* Pin	OBSOLETE PART, L=10,20mm
	845771	1	* Pin, STOP PIN	OBSOLETE PART, L=10,40mm
	844240	X	* * Gasket kit	

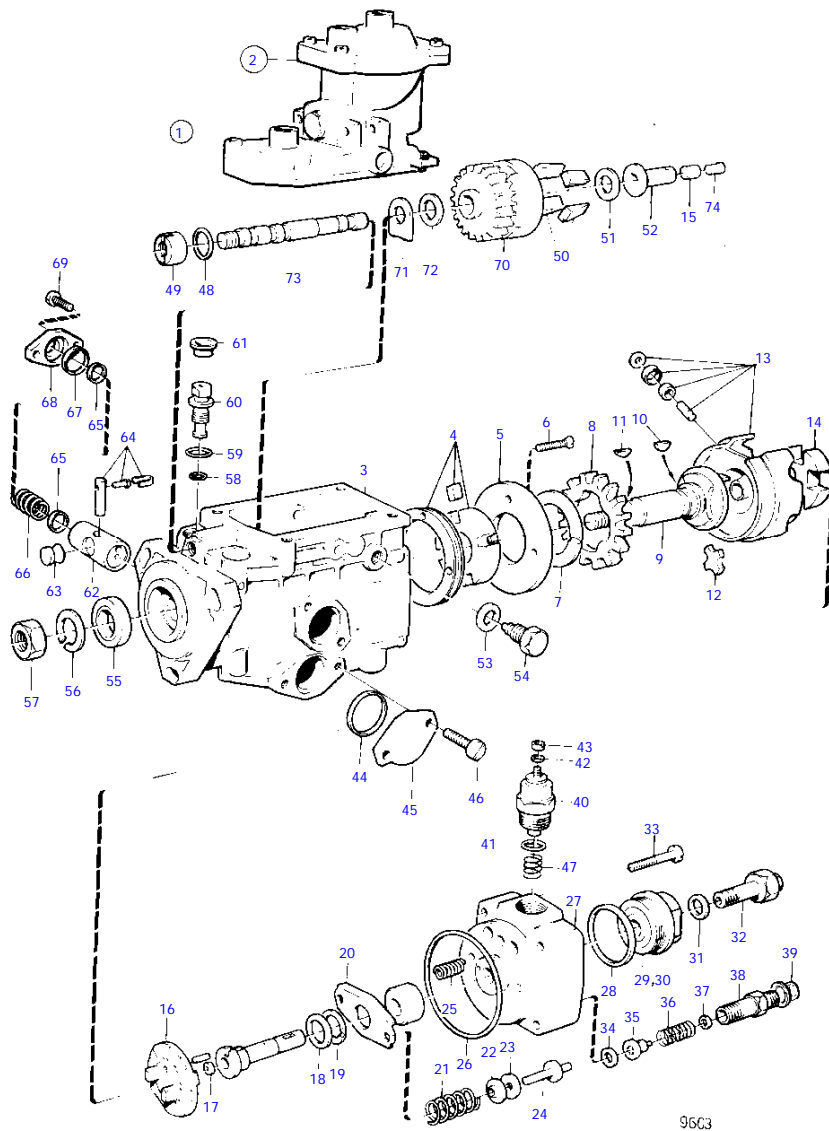




REF	PART NO.	QTY	DESCRIPTION	NOTES
1	838681	1	Injection pump	OBSOLETE PART
2		1	* REGULATOR	
3		1	* HOUSING	
4	244917	1	* Rotor	OBSOLETE PART
5	860034	1	* Support ring	(244918), OBSOLETE PART
6	838334	2	* Screw	OBSOLETE PART
7	844146	1	* Washer	OBSOLETE PART
8	844147	1	* Gear	OBSOLETE PART
9		1	* Shaft	
10	844293	1	* Key	OBSOLETE PART
11	243734	1	* Woodruff key	
12	844150	2	* Absorber	
13	859352	1	* Bearing kit	OBSOLETE PART
14		1	* Gasket	
15	845755	1	* Cover	OBSOLETE PART
16		1	* CARRIER	
17	243531	1	* Adjusting washer	OBSOLETE PART, TH = 1,80 MM
	243534	1	* Adjusting washer	OBSOLETE PART, TH = 1,94 MM
	845726	1	* Shim	OBSOLETE PART, TH = 2,00 MM
	844155	1	* Adjusting washer	OBSOLETE PART, TH = 2,12 MM
	844156	1	* Adjusting washer	OBSOLETE PART, TH = 2,20 MM
	845729	1	* Shim	OBSOLETE PART, TH = 2,32 MM
	845730	1	* Shim	OBSOLETE PART, TH = 2,40 MM
	243545	1	* Adjusting washer	OBSOLETE PART, TH = 2,50 MM
	844158	1	* Adjusting washer	OBSOLETE PART, TH = 2,52 MM
	844159	1	* Adjusting washer	OBSOLETE PART, TH = 2,60 MM
	844160	1	* Adjusting washer	OBSOLETE PART, TH = 2,72 MM
	844161	1	* Adjusting washer	OBSOLETE PART, TH = 2,80 MM
18	243527	1	* Gasket	OBSOLETE PART
19	244809	1	* Washer	OBSOLETE PART
20	844162	1	* Washer	OBSOLETE PART
21	859353	1	* Spring kit	
22	844163	2	* Spring disc	OBSOLETE PART
23	844165	1	* Washer	OBSOLETE PART
24		2	*	
25	859462	2	* Spring	OBSOLETE PART, (844167)
26	243555	1	* Sealing ring	OBSOLETE PART
27		1	*	
28	838402	1	* O-ring	OBSOLETE PART
29	844171	1	* Fitting	OBSOLETE PART
30		1	* SCREW UNION	
31	947620	1	* Gasket	
32		1	* AIR SCREW	
33	244931	4	* Hex. socket screw	OBSOLETE PART
34	845738	4	* Washer	
35	244927	4	* Delivery valve	
36	244928	4	* Compression spring	
37	244929	4	* Bushing	
38	244930	4	* Retainer	OBSOLETE PART
39		1	* COVER	
40		1	* Magnet	12V
41		1	* O-RING	
42		1	* WASHER	
43		1	* NUT	
44	838445	1	* O-ring	
45	244924	1	* Cover	OBSOLETE PART, SN-2203103990
	859305	1	* Cover	OBSOLETE PART, SN2203103991-2203105907
	244924	1	* Cover	OBSOLETE PART, SN2203105908-
46	244923	2	* Screw	OBSOLETE PART
47	844186	1	* Spring	
48	243786	1	* O-ring	
49	844217	1	* Nut	OBSOLETE PART
50	844212	1	* Regulator weight	OBSOLETE PART
51	838348	1	* Spacer washer	OBSOLETE PART
52	845754	1	* Control sleeve	OBSOLETE PART
53	838346	2	* Gasket	
54	838345	2	* Screw	OBSOLETE PART
55	845744	1	* Sealing ring	OBSOLETE PART
56	941911	1	* Spring washer	
57	955804	1	* Hexagon nut	
58	243521	1	* Sealing ring	
59	243520	1	* Sealing ring	
60	244683	1	* Valve	OBSOLETE PART
61		1	* PLUG	
62	244922	1	* Piston	OBSOLETE PART, SN-2203105907
	859455	1	* Piston	OBSOLETE PART, SN2203105908-
63	858907	1	* Roller	OBSOLETE PART
64	244974	1	* Kit	OBSOLETE PART
65	244425	2	* Adjusting washer	OBSOLETE PART
66	859344	1	* Compression spring	OBSOLETE PART, L = 37,40 MM
	845748	1	* Spring	OBSOLETE PART, L = 37,70 MM
	859278	1	* Compression spring	OBSOLETE PART, L = 38,00 MM
67	838445	1	* O-ring	
68	844185	1	* Flange	OBSOLETE PART
69	244923	2	* Screw	OBSOLETE PART
70	844213	1	* Control knob	OBSOLETE PART
71	844215	1	* Washer	OBSOLETE PART
72	845750	1	* Washer	OBSOLETE PART, TH = 1,30 MM
	845751	1	* Washer	OBSOLETE PART, TH = 1,35 MM
	844214	1	* Washer	OBSOLETE PART, TH = 1,40 MM

--

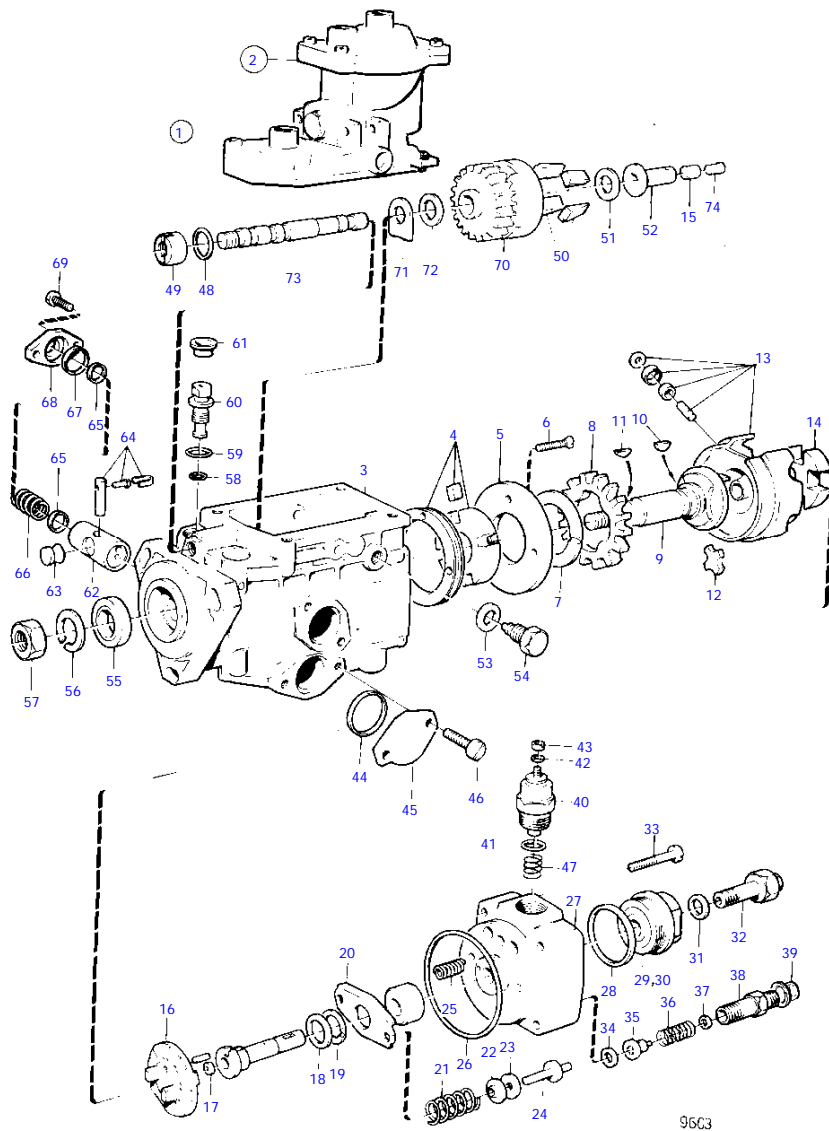
REF	PART NO.	QTY	DESCRIPTION	NOTES
73	838347	1	* Control shaft	OBSOLETE PART
74	845757	1	* Pin	OBSOLETE PART, L=7,60mm
	845758	1	* Pin	OBSOLETE PART, L=7,80mm
	845759	1	* Pin	OBSOLETE PART, L=8,00mm
	845760	1	* Pin	OBSOLETE PART, L=8,20mm
	845761	1	* Pin	OBSOLETE PART, L=8,40mm
	845762	1	* Pin	OBSOLETE PART, L=8,60mm
	845763	1	* Pin	OBSOLETE PART, L=8,80mm
	845764	1	* Pin	OBSOLETE PART, L=9,00mm
	845765	1	* Pin	OBSOLETE PART, L=9,20mm
	845766	1	* Pin	OBSOLETE PART, L=9,40mm
	845767	1	* Pin	OBSOLETE PART, L=9,60mm
	845768	1	* Pin	OBSOLETE PART, L=9,80mm
	845769	1	* Pin	OBSOLETE PART, L=10,00mm
	845770	1	* Pin	OBSOLETE PART, L=10,20mm
	845771	1	* Pin, STOP PIN	OBSOLETE PART, L=10,40mm
	844240	X	* * Gasket kit	



REF	PART NO.	QTY	DESCRIPTION	NOTES
1	860186	1	Injection pump	OBSOLETE PART
2		1	* REGULATOR	
3		1	* HOUSING	
4	244917	1	* Rotor	OBSOLETE PART
5	860034	1	* Support ring	(244918), OBSOLETE PART
6	838334	2	* Screw	OBSOLETE PART
7	844146	1	* Washer	OBSOLETE PART
8	844147	1	* Gear	OBSOLETE PART
9		1	* Shaft	
10	844293	1	* Key	OBSOLETE PART
11	243734	1	* Woodruff key	
12	844150	2	* Absorber	
13	859352	1	* Bearing kit	OBSOLETE PART
14		1	* Gasket	
15	845755	1	* Cover	OBSOLETE PART
16		1	* CARRIER	
17	243531	1	* Adjusting washer	OBSOLETE PART, TH = 1,80 MM
	243534	1	* Adjusting washer	OBSOLETE PART, TH = 1,94 MM
	845726	1	* Shim	OBSOLETE PART, TH = 2,00 MM
	844155	1	* Adjusting washer	OBSOLETE PART, TH = 2,12 MM
	844156	1	* Adjusting washer	OBSOLETE PART, TH = 2,20 MM
	845729	1	* Shim	OBSOLETE PART, TH = 2,32 MM
	845730	1	* Shim	OBSOLETE PART, TH = 2,40 MM
	243545	1	* Adjusting washer	OBSOLETE PART, TH = 2,50 MM
	844158	1	* Adjusting washer	OBSOLETE PART, TH = 2,52 MM
	844159	1	* Adjusting washer	OBSOLETE PART, TH = 2,60 MM
	844160	1	* Adjusting washer	OBSOLETE PART, TH = 2,72 MM
	844161	1	* Adjusting washer	OBSOLETE PART, TH = 2,80 MM
18	243527	1	* Gasket	OBSOLETE PART
19	244809	1	* Washer	OBSOLETE PART
20	844162	1	* Washer	OBSOLETE PART
21	859353	1	* Spring kit	
22	844163	2	* Spring disc	OBSOLETE PART
23	844165	1	* Washer	OBSOLETE PART
24		2	*	
25	859462	2	* Spring	OBSOLETE PART, (844167)
26	243555	1	* Sealing ring	OBSOLETE PART
27		1	*	
28	838402	1	* O-ring	OBSOLETE PART
29	844171	1	* Fitting	OBSOLETE PART
30		1	* SCREW UNION	
31	947620	1	* Gasket	
32		1	* AIR SCREW	
33	244931	4	* Hex. socket screw	OBSOLETE PART
34	845738	4	* Washer	
35	244927	4	* Delivery valve	
36	244928	4	* Compression spring	
37	244929	4	* Bushing	
38	244930	4	* Retainer	OBSOLETE PART
39		1	* COVER	
40		1	* Magnet	12V
41		1	* O-RING	
42		1	* WASHER	
43		1	* NUT	
44	838445	1	* O-ring	
45	244924	1	* Cover	OBSOLETE PART
46	244923	2	* Screw	OBSOLETE PART
47	844186	1	* Spring	
48	243786	1	* O-ring	
49	844217	1	* Nut	OBSOLETE PART
50	844212	1	* Regulator weight	OBSOLETE PART
51	838348	1	* Spacer washer	OBSOLETE PART
52	845754	1	* Control sleeve	OBSOLETE PART
53	838346	2	* Gasket	
54	838345	2	* Screw	OBSOLETE PART
55	845744	1	* Sealing ring	OBSOLETE PART
56	941911	1	* Spring washer	
57	955804	1	* Hexagon nut	
58	243521	1	* Sealing ring	
59	243520	1	* Sealing ring	
60	244683	1	* Valve	OBSOLETE PART
61		1	* PLUG	
62	859455	1	* Piston	OBSOLETE PART
63	858907	1	* Roller	OBSOLETE PART
64	244974	1	* Kit	OBSOLETE PART
65	244425	2	* Adjusting washer	OBSOLETE PART
66	859344	1	* Compression spring	OBSOLETE PART, L = 37,40 MM
	845748	1	* Spring	OBSOLETE PART, L = 37,70 MM
	859278	1	* Compression spring	OBSOLETE PART, L = 38,00 MM
67	838445	1	* O-ring	
68	844185	1	* Flange	OBSOLETE PART
69	244923	2	* Screw	OBSOLETE PART
70	844213	1	* Control knob	OBSOLETE PART
71	844215	1	* Washer	OBSOLETE PART
72	845750	1	* Washer	OBSOLETE PART, TH = 1,30 MM
	845751	1	* Washer	OBSOLETE PART, TH = 1,35 MM
	844214	1	* Washer	OBSOLETE PART, TH = 1,40 MM
73	838347	1	* Control shaft	OBSOLETE PART
74	845757	1	* Pin	OBSOLETE PART, L=7,60mm
	845758	1	* Pin	OBSOLETE PART, L=7,80mm

--

REF	PART NO.	QTY	DESCRIPTION	NOTES
	845759	1	* Pin	OBSOLETE PART, L=8,00mm
	845760	1	* Pin	OBSOLETE PART, L=8,20mm
	845761	1	* Pin	OBSOLETE PART, L=8,40mm
	845762	1	* Pin	OBSOLETE PART, L=8,60mm
	845763	1	* Pin	OBSOLETE PART, L=8,80mm
	845764	1	* Pin	OBSOLETE PART, L=9,00mm
	845765	1	* Pin	OBSOLETE PART, L=9,20mm
	845766	1	* Pin	OBSOLETE PART, L=9,40mm
	845767	1	* Pin	OBSOLETE PART, L=9,60mm
	845768	1	* Pin	OBSOLETE PART, L=9,80mm
	845769	1	* Pin	OBSOLETE PART, L=10,00mm
	845770	1	* Pin	OBSOLETE PART, L=10,20mm
	845771	1	* Pin, STOP PIN	OBSOLETE PART, L=10,40mm
	844240	X	* * Gasket kit	

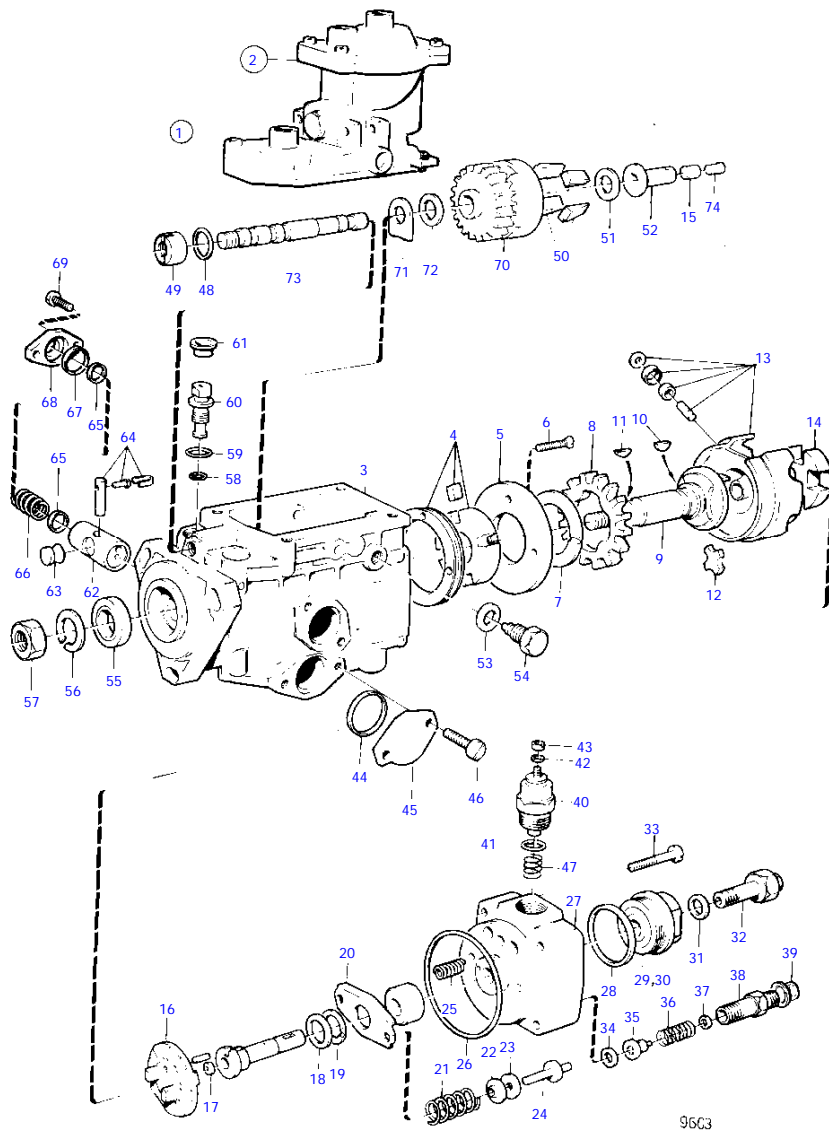


REF	PART NO.	QTY	DESCRIPTION	SEE SEC.	NOTES
1	860513	1	Injection pump		
2		1	* REGULATOR		
			* *	19204	
3		1	* HOUSING		
4	244917	1	* Rotor		OBSOLETE PART
5	860034	1	* Support ring		(244918), OBSOLETE PART
6	838334	2	* Screw		OBSOLETE PART
7	844146	1	* Washer		OBSOLETE PART
8	844147	1	* Gear		OBSOLETE PART
9		1	* Shaft		
10	844293	1	* Key		OBSOLETE PART
11	243734	1	* Woodruff key		
12	844150	2	* Absorber		
13	859352	1	* Bearing kit		OBSOLETE PART
14		1	* Gasket		
15	845755	1	* Cover		OBSOLETE PART
16		1	* CARRIER		
17	243531	1	* Adjusting washer		OBSOLETE PART, TH = 1,80 MM
	243534	1	* Adjusting washer		OBSOLETE PART, TH = 1,94 MM
	845726	1	* Shim		OBSOLETE PART, TH = 2,00 MM
	844155	1	* Adjusting washer		OBSOLETE PART, TH = 2,12 MM
	844156	1	* Adjusting washer		OBSOLETE PART, TH = 2,20 MM
	845729	1	* Shim		OBSOLETE PART, TH = 2,32 MM
	845730	1	* Shim		OBSOLETE PART, TH = 2,40 MM
	243545	1	* Adjusting washer		OBSOLETE PART, TH = 2,50 MM
	844158	1	* Adjusting washer		OBSOLETE PART, TH = 2,52 MM
	844159	1	* Adjusting washer		OBSOLETE PART, TH = 2,60 MM
	844160	1	* Adjusting washer		OBSOLETE PART, TH = 2,72 MM
	844161	1	* Adjusting washer		OBSOLETE PART, TH = 2,80 MM
18	243527	1	* Gasket		OBSOLETE PART
19	244809	1	* Washer		OBSOLETE PART
20	844162	1	* Washer		OBSOLETE PART
21	859353	1	* Spring kit		
22	844163	2	* Spring disc		OBSOLETE PART
23	844165	1	* Washer		OBSOLETE PART
24		2	*		
25	859462	2	* Spring		OBSOLETE PART, (844167)
26	243555	1	* Sealing ring		OBSOLETE PART
27		1	*		
28	838402	1	* O-ring		OBSOLETE PART
29	844171	1	* Fitting		OBSOLETE PART
30		1	* * SCREW UNION		
31	947620	1	* * Gasket		
32		1	* * AIR SCREW		
33	244931	4	* Hex. socket screw		OBSOLETE PART
34	845738	4	* Washer		
35	244927	4	* Delivery valve		
36	244928	4	* Compression spring		
37	244929	4	* Bushing		
38	244930	4	* Retainer		OBSOLETE PART
39		1	* COVER		
40		1	* Magnet	12V	
41		1	* * O-RING		
42		1	* WASHER		
43		1	* NUT		
44	838445	1	* O-ring		
45	244924	1	* Cover		OBSOLETE PART
46	244923	2	* Screw		OBSOLETE PART
47	844186	1	* Spring		
48	243786	1	* O-ring		
49	844217	1	* Nut		OBSOLETE PART
50	844212	1	* Regulator weight		OBSOLETE PART
51	838348	1	* Spacer washer		OBSOLETE PART
52	845754	1	* Control sleeve		OBSOLETE PART
53	838346	2	* Gasket		
54	838345	2	* Screw		OBSOLETE PART
55	845744	1	* Sealing ring		OBSOLETE PART
56	941911	1	* Spring washer		
57	955804	1	* Hexagon nut		
58	243521	1	* Sealing ring		
59	243520	1	* Sealing ring		
60	244683	1	* Valve		OBSOLETE PART
61		1	* PLUG		
62	859455	1	* Piston		OBSOLETE PART
63	858907	1	* Roller		OBSOLETE PART
64	244974	1	* Kit		OBSOLETE PART
65	244425	2	* Adjusting washer		OBSOLETE PART
66	859344	1	* Compression spring		OBSOLETE PART, L = 37,40 MM
	845748	1	* Spring		OBSOLETE PART, L = 37,70 MM
	859278	1	* Compression spring		OBSOLETE PART, L = 38,00 MM
67	838445	1	* O-ring		
68	844185	1	* Flange		OBSOLETE PART
69	244923	2	* Screw		OBSOLETE PART
70	844213	1	* Control knob		OBSOLETE PART
71	844215	1	* Washer		OBSOLETE PART
72	845750	1	* Washer		OBSOLETE PART, TH = 1,30 MM
	845751	1	* Washer		OBSOLETE PART, TH = 1,35 MM
	844214	1	* Washer		OBSOLETE PART, TH = 1,40 MM
73	838347	1	* Control shaft		OBSOLETE PART
74	845757	1	* Pin		OBSOLETE PART, L=7,60mm

--

REF	PART NO.	QTY	DESCRIPTION	SEE SEC.	NOTES
	845758	1	* Pin		OBSOLETE PART, L=7,80mm
	845759	1	* Pin		OBSOLETE PART, L=8,00mm
	845760	1	* Pin		OBSOLETE PART, L=8,00mm
	845761	1	* Pin		OBSOLETE PART, L=8,40mm
	845762	1	* Pin		OBSOLETE PART, L=8,60mm
	845763	1	* Pin		OBSOLETE PART, L=8,80mm
	845764	1	* Pin		OBSOLETE PART, L=9,00mm
	845765	1	* Pin		OBSOLETE PART, L=9,20mm
	845766	1	* Pin		OBSOLETE PART, L=9,40mm
	845767	1	* Pin		OBSOLETE PART, L=9,60mm
	845768	1	* Pin		OBSOLETE PART, L=9,80mm
	845769	1	* Pin		OBSOLETE PART, L=10,00mm
	845770	1	* Pin		OBSOLETE PART, L=10,20mm
	845771	1	* Pin, STOP PIN GASKET KIT		OBSOLETE PART, L=10,40mm
	844240	X	* Gasket kit		



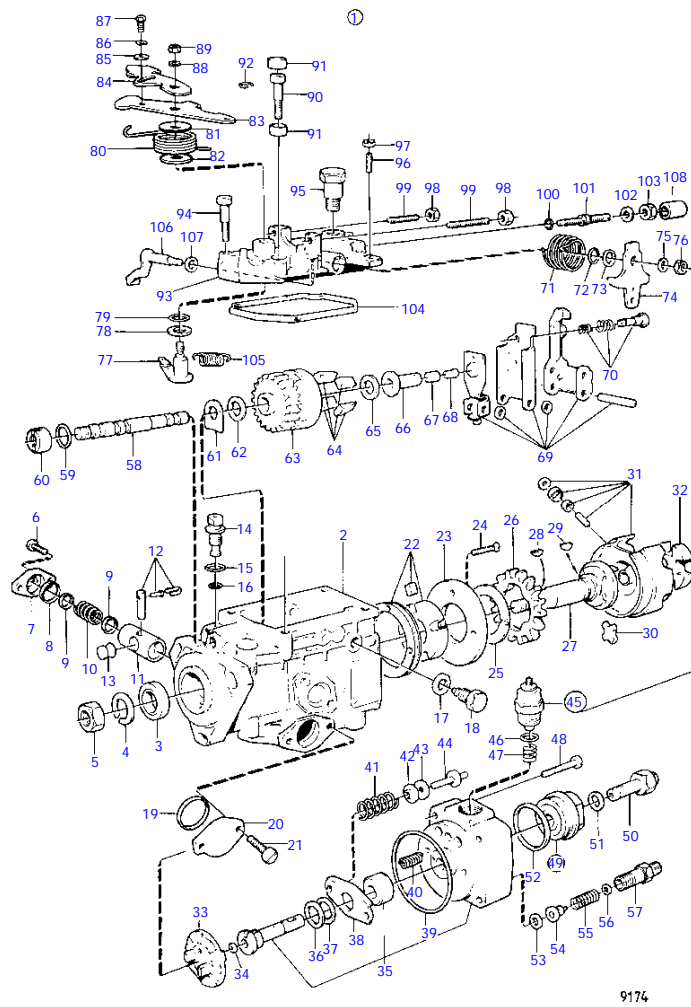


REF	PART NO.	QTY	DESCRIPTION	SEE SEC.	NOTES
1	860185	1	Injection pump		OBSOLETE PART
2		1	* REGULATOR		
			* *	19204	
3		1	* HOUSING		
4	244917	1	* Rotor		OBSOLETE PART
5	860034	1	* Support ring		(244918), OBSOLETE PART
6	838334	2	* Screw		OBSOLETE PART
7	844146	1	* Washer		OBSOLETE PART
8	844147	1	* Gear		OBSOLETE PART
9		1	* Shaft		
10	844293	1	* Key		OBSOLETE PART
11	243734	1	* Woodruff key		
12	844150	2	* Absorber		
13	859352	1	* Bearing kit		OBSOLETE PART
14		1	* Gasket		
15	845755	1	* Cover		OBSOLETE PART
16		1	* CARRIER		
17	243531	1	* Adjusting washer		OBSOLETE PART, TH = 1,80 MM
	243534	1	* Adjusting washer		OBSOLETE PART, TH = 1,94 MM
	845726	1	* Shim		OBSOLETE PART, TH = 2,00 MM
	844155	1	* Adjusting washer		OBSOLETE PART, TH = 2,12 MM
	844156	1	* Adjusting washer		OBSOLETE PART, TH = 2,20 MM
	845729	1	* Shim		OBSOLETE PART, TH = 2,32 MM
	845730	1	* Shim		OBSOLETE PART, TH = 2,40 MM
	243545	1	* Adjusting washer		OBSOLETE PART, TH = 2,50 MM
	844158	1	* Adjusting washer		OBSOLETE PART, TH = 2,52 MM
	844159	1	* Adjusting washer		OBSOLETE PART, TH = 2,60 MM
	844160	1	* Adjusting washer		OBSOLETE PART, TH = 2,72 MM
	844161	1	* Adjusting washer		OBSOLETE PART, TH = 2,80 MM
18	243527	1	* Gasket		OBSOLETE PART
19	244809	1	* Washer		OBSOLETE PART
20	844162	1	* Washer		OBSOLETE PART
21	859353	1	* Spring kit		
22	844163	2	* Spring disc		OBSOLETE PART
23	844165	1	* Washer		OBSOLETE PART
24		2	*		
25	859462	2	* Spring		OBSOLETE PART, (844167)
26	243555	1	* Sealing ring		OBSOLETE PART
27		1	*		
28	838402	1	* O-ring		OBSOLETE PART
29	844171	1	* Fitting		OBSOLETE PART
30		1	* * SCREW UNION		
31	947620	1	* * Gasket		
32		1	* * AIR SCREW		
33	244931	4	* Hex. socket screw		OBSOLETE PART
34	845738	4	* Washer		
35	244927	4	* Delivery valve		
36	244928	4	* Compression spring		
37	244929	4	* Bushing		
38	244930	4	* Retainer		OBSOLETE PART
39		1	* COVER		
40		1	* Magnet	12V	
41		1	* * O-RING		
42		1	* WASHER		
43		1	* NUT		
44	838445	1	* O-ring		
45	244924	1	* Cover		OBSOLETE PART
46	244923	2	* Screw		OBSOLETE PART
47	844186	1	* Spring		
48	243786	1	* O-ring		
49	844217	1	* Nut		OBSOLETE PART
50	844212	1	* Regulator weight		OBSOLETE PART
51	838348	1	* Spacer washer		OBSOLETE PART
52	845754	1	* Control sleeve		OBSOLETE PART
53	838346	2	* Gasket		
54	838345	2	* Screw		OBSOLETE PART
55	845744	1	* Sealing ring		OBSOLETE PART
56	941911	1	* Spring washer		
57	955804	1	* Hexagon nut		
58	243521	1	* Sealing ring		
59	243520	1	* Sealing ring		
60	244683	1	* Valve		OBSOLETE PART
61		1	* PLUG		
62	859455	1	* Piston		OBSOLETE PART
63	858907	1	* Roller		OBSOLETE PART
64	244974	1	* Kit		OBSOLETE PART
65	244425	2	* Adjusting washer		OBSOLETE PART
66	859344	1	* Compression spring		OBSOLETE PART, L = 37,40 MM
	845748	1	* Spring		OBSOLETE PART, L = 37,70 MM
	859278	1	* Compression spring		OBSOLETE PART, L = 38,00 MM
67	838445	1	* O-ring		
68	844185	1	* Flange		OBSOLETE PART
69	244923	2	* Screw		OBSOLETE PART
70	844213	1	* Control knob		OBSOLETE PART
71	844215	1	* Washer		OBSOLETE PART
72	845750	1	* Washer		OBSOLETE PART, TH = 1,30 MM
	845751	1	* Washer		OBSOLETE PART, TH = 1,35 MM
	844214	1	* Washer		OBSOLETE PART, TH = 1,40 MM
73	838347	1	* Control shaft		OBSOLETE PART
74	845757	1	* Pin		OBSOLETE PART, L=7,60mm

--

REF	PART NO.	QTY	DESCRIPTION	SEE SEC.	NOTES
	845758	1	* Pin		OBSOLETE PART, L=7,80mm
	845759	1	* Pin		OBSOLETE PART, L=8,00mm
	845760	1	* Pin		OBSOLETE PART, L=8,20mm
	845761	1	* Pin		OBSOLETE PART, L=8,40mm
	845762	1	* Pin		OBSOLETE PART, L=8,60mm
	845763	1	* Pin		OBSOLETE PART, L=8,80mm
	845764	1	* Pin		OBSOLETE PART, L=9,00mm
	845765	1	* Pin		OBSOLETE PART, L=9,20mm
	845766	1	* Pin		OBSOLETE PART, L=9,40mm
	845767	1	* Pin		OBSOLETE PART, L=9,60mm
	845768	1	* Pin		OBSOLETE PART, L=9,80mm
	845769	1	* Pin		OBSOLETE PART, L=10,00mm
	845770	1	* Pin		OBSOLETE PART, L=10,20mm
	845771	1	* Pin, STOP PIN		OBSOLETE PART, L=10,40mm
	844240	X	* Gasket kit		



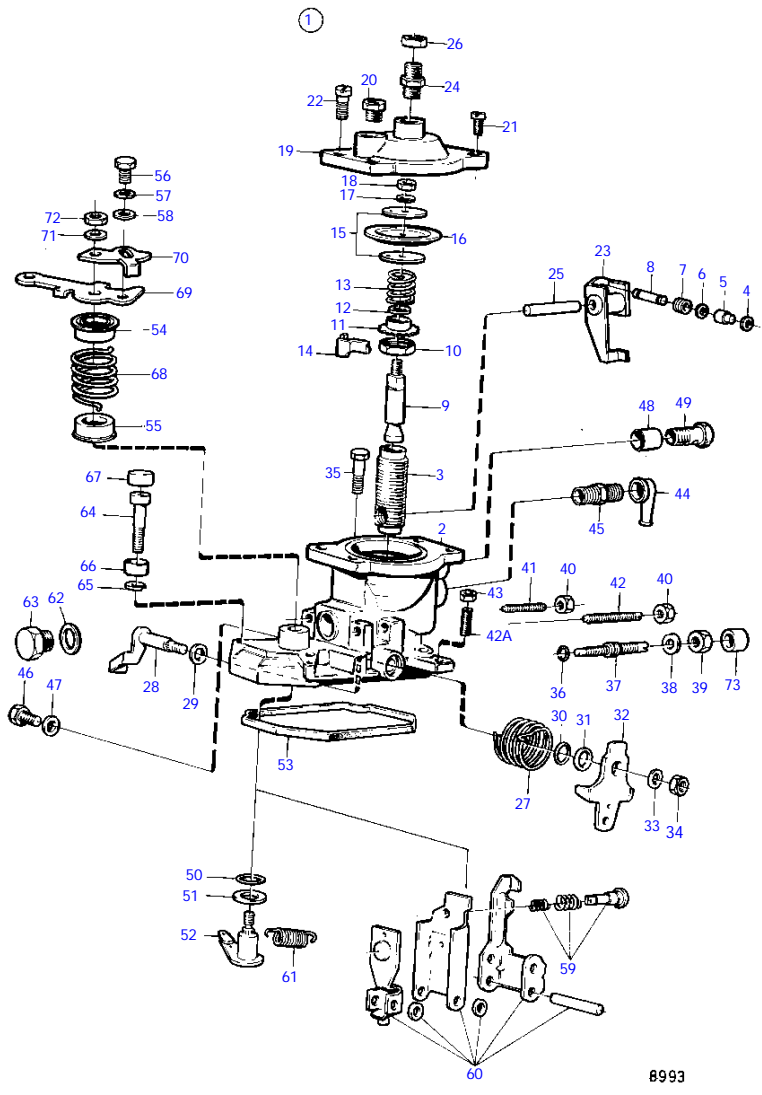


9174

REF	PART NO.	QTY	DESCRIPTION	NOTES
1	838678	1	Injection pump	
2		1	* HOUSING	
3	844178	1	* Sealing ring	OBSOLETE PART
4	838404	1	* Spring ring	OBSOLETE PART
5	955784	1	* Hexagon nut	
6	838335	2	* Screw	OBSOLETE PART
7	844185	1	* Flange	OBSOLETE PART
8	844176	1	* O-ring	OBSOLETE PART
9	244425	1	* Adjusting washer	OBSOLETE PART
10	859932	X	* Shim	
	859933	X	* Shim	
11	859331	1	* Control piston	OBSOLETE PART
12	844182	1	* Piston pin kit	OBSOLETE PART
13	858907	1	* Roller	OBSOLETE PART
14	243519	1	* Valve	OBSOLETE PART
15	243520	1	* Sealing ring	
16	243521	1	* Sealing ring	
17	838346	2	* Gasket	
18	838345	2	* Screw	OBSOLETE PART
19	844176	1	* O-ring	OBSOLETE PART
20	844175	1	* Cover	SN-2203105093, OBSOLETE PART
	859305	1	* Cover	OBSOLETE PART, SN2203105094
21	838335	2	* Screw	OBSOLETE PART
22	859329	1	* Feed pump	OBSOLETE PART
23	860034	1	* Support ring	OBSOLETE PART, (244918)
24	838334	2	* Screw	OBSOLETE PART
25	844146	1	* Washer	OBSOLETE PART
26	844147	1	* Gear	OBSOLETE PART
27	844148	1	* Stub axle	OBSOLETE PART
28	25464	1	* Key	OBSOLETE PART
29	844293	1	* Key	OBSOLETE PART
30	844150	1	* Absorber	
31	859341	1	* Bearing kit	OBSOLETE PART
32	243500	1	* Companion flange	OBSOLETE PART
33		1	*	
34	243531	X	* Adjusting washer	OBSOLETE PART, TH = 1,80 MM
	243534	X	* Adjusting washer	OBSOLETE PART, TH = 1,94 MM
	845726	X	* Shim	OBSOLETE PART, TH = 2,00 MM
	844155	X	* Adjusting washer	OBSOLETE PART, TH = 2,12 MM
	844156	X	* Adjusting washer	OBSOLETE PART, TH = 2,20 MM
	845729	X	* Shim	OBSOLETE PART, TH = 2,32 MM
	845730	X	* Shim	OBSOLETE PART, TH = 2,40 MM
	243545	X	* Adjusting washer	OBSOLETE PART, TH = 2,50 MM
	844158	X	* Adjusting washer	OBSOLETE PART, TH = 2,52 MM
	844159	X	* Adjusting washer	OBSOLETE PART, TH = 2,60 MM
	844160	X	* Adjusting washer	OBSOLETE PART, TH = 2,72 MM
	844161	X	* Adjusting washer	OBSOLETE PART, TH = 2,80 MM
35		1	*	
36	243527	1	* * Gasket	OBSOLETE PART
37	244809	1	* * Washer	OBSOLETE PART
38	844162	1	* * Washer	OBSOLETE PART
39	243555	1	* Sealing ring	OBSOLETE PART
40	859462	2	* Spring	OBSOLETE PART, (844167)
41	844164	1	* Spring kit	
42	844163	2	* Spring disc	OBSOLETE PART
43	844165	1	* Washer	OBSOLETE PART
44	844166	2	* Pin	OBSOLETE PART
45		1	* Magnet	12V
46		1	* * SEAL RING	
47	844186	1	* Spring	
48	244931	3	* Hex. socket screw	OBSOLETE PART
49	844171	1	* Fitting	OBSOLETE PART
50		1	* * AIR VENTING SCREW	
51	947620	1	* * Gasket	
52	838402	1	* O-ring	OBSOLETE PART
53	845738	4	* Washer	
54	859335	4	* Delivery valve	OBSOLETE PART
55	244928	4	* Compression spring	
56	244929	4	* Bushing	
57	244930	4	* Retainer	OBSOLETE PART
58	838347	1	* Control shaft	OBSOLETE PART
59	243786	1	* O-ring	
60	844217	1	* Nut	OBSOLETE PART
61	844215	1	* Washer	OBSOLETE PART
62	845750	X	* Washer	OBSOLETE PART, TH = 1,30 MM
	845751	X	* Washer	OBSOLETE PART, TH = 1,35 MM
	844214	X	* Washer	OBSOLETE PART, TH = 1,40 MM
63	844213	1	* Control knob	OBSOLETE PART
64	844212	1	* Regulator weight	OBSOLETE PART
65	838348	1	* Spacer washer	OBSOLETE PART
66	845754	1	* Control sleeve	OBSOLETE PART
67	845755	1	* Cover	OBSOLETE PART
68	845757	X	* Pin	OBSOLETE PART, L=7,60mm
	845758	X	* Pin	OBSOLETE PART, L=7,80mm
	845759	X	* Pin	OBSOLETE PART, L=8,00mm
	845760	X	* Pin	OBSOLETE PART, L=8,20mm
	845761	X	* Pin	OBSOLETE PART, L=8,40mm
	845762	X	* Pin	OBSOLETE PART, L=8,60mm
	845763	X	* Pin	OBSOLETE PART, L=8,80mm
	845764	X	* Pin	OBSOLETE PART, L=9,00mm

--

REF	PART NO.	QTY	DESCRIPTION	NOTES
	845765	X	* Pin	OBSOLETE PART , L=9,20mm
	845766	X	* Pin	OBSOLETE PART , L=9,40mm
	845767	X	* Pin	OBSOLETE PART , L=9,60mm
	845768	X	* Pin	OBSOLETE PART , L=9,80mm
	845769	X	* Pin	OBSOLETE PART , L=10,00mm
	845770	X	* Pin	OBSOLETE PART , L=10,20mm
	845771	X	* Pin	OBSOLETE PART , L=10,40mm
69		1	*	
70		1	*	
71	859463	1	* Spring	OBSOLETE PART , (844223)
72	244938	1	* Gasket	OBSOLETE PART
73	844224	1	* O-ring	
74	844226	1	* Lever	OBSOLETE PART
75	949607	1	* Spring washer	(838340)
76	955781	1	* Hexagon nut	
77	244959	1	* Shaft	OBSOLETE PART
78		1	* Spacer ring	
79	243567	1	* Sealing ring	
80	859339	1	* Spring	
81	244972	1	* Spring disc	
82	244971	1	* Spring disc	
83	244961	1	* Lever	
84	244969	1	* Lever	
85	955892	1	* Washer	
86	949607	1	* Spring washer	(838340)
87	244970	1	* Screw	OBSOLETE PART
88	949607	1	* Spring washer	(838340)
89	940197	1	* Hexagon nut	
90	959208	4	* Hex. socket screw	OBSOLETE PART
91		X	* PROTECTING SLEEVE	
92	843166	1	* Washer	OBSOLETE PART
93		1	* COVER	
94	959208	4	* Hex. socket screw	OBSOLETE PART
95	844237	1	* Hollow screw	
96	844229	1	* Stud	OBSOLETE PART
97	955781	1	* Hexagon nut	
98	955781	2	* Hexagon nut	
99	859019	2	* Stud	OBSOLETE PART
100	244963	1	* Shim	
101	244962	1	* Screw	OBSOLETE PART
102	25703	1	* Washer	OBSOLETE PART
103	838343	1	* Nut	OBSOLETE PART
104	859337	1	* Sealing ring	OBSOLETE PART
105	838349	1	* Spring	OBSOLETE PART
106	244937	1	* Shaft	OBSOLETE PART
107	844220	1	* Washer	OBSOLETE PART
108	844652	1	* Spacer sleeve, SPACER SLEEVE	OBSOLETE PART
	844240		Gasket kit	

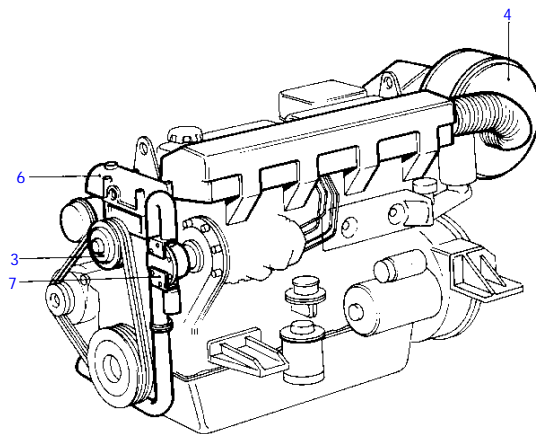
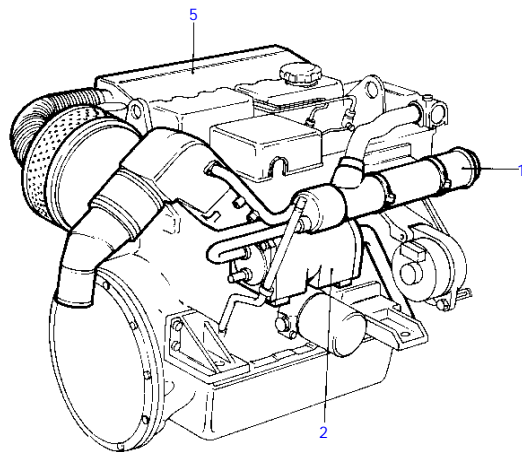


8993



REF	PART NO.	QTY	DESCRIPTION	NOTES
1		1	REGULATOR	
2		1	* REGULATOR	
3	244935	1	* Bearing bushing	OBSOLETE PART
4	244418	1	* Gasket	OBSOLETE PART
5	244934	1	* Bearing bushing	OBSOLETE PART
6	244417	1	* O-ring	OBSOLETE PART
7	1698691	1	* Washer	(244933), OBSOLETE PART
8		1	*	
9		1	* BOLT	
10	6213509	1	* Nut	OBSOLETE PART
11		1	* NUT	
12	244948	X	* Bushing	TH = 1,70 MM, OBSOLETE PART
	244949	X	* Bushing	TH = 2,50 MM, OBSOLETE PART
	244950	X	* Bushing	TH = 3,50 MM, OBSOLETE PART
	244951	X	* Bushing	TH = 4,50 MM, OBSOLETE PART
13	859348	1	* Compression spring	OBSOLETE PART
	859349	1	* Compression spring	OBSOLETE PART
	859350	1	* Compression spring	OBSOLETE PART
14	244936	1	* Striker plate	OBSOLETE PART
15		2	* WASHER	
16	244944	1	* Diaphragm	
17	240769	1	* Spring washer	OBSOLETE PART
18	244945	1	* Nut	OBSOLETE PART
19		1	* COVER	
20		1	* CAP	
21	244955	2	* Screw	OBSOLETE PART
22	956092	2	* Cross recessed screw	
23		1	* Lever	
24		1	* STUD	
25		1	* BUSHING	
26	244954	1	* Nut	OBSOLETE PART
27	859463	1	* Spring	(844223), OBSOLETE PART
28	844222	1	* Shaft	OBSOLETE PART
29	844220	1	* Washer	OBSOLETE PART
30	844224	1	* O-ring	
31	244938	1	* Gasket	OBSOLETE PART
32	844226	1	* Lever	OBSOLETE PART
33	949607	1	* Spring washer	(838340)
34	955781	1	* Hexagon nut	
35	959208	4	* Hex. socket screw	OBSOLETE PART
36	244963	1	* Shim	
37		1	* STUD	
38	25703	1	* Washer	OBSOLETE PART
39	838343	1	* Nut	OBSOLETE PART
40	955781	3	* Hexagon nut	
41		1	* STUD	
42		1	* STUD	
42A	955781	1	* Hexagon nut	
43	844229	1	* Stud	OBSOLETE PART
44		1	* NIPPLE	
45	1328766	1	* Nipple	OBSOLETE PART
46		2	* Screw	
47	190990	2	* Gasket	
48		1	* SLEEVE	
49	844237	1	* Hollow screw	
50	243567	1	* Sealing ring	
51		1	* Spacer ring	
52	244959	1	* Shaft	OBSOLETE PART
53	845785	1	* Gasket	
54	244972	1	* Spring disc	
55	244971	1	* Spring disc	
56	244970	1	* Screw	OBSOLETE PART
57	949607	1	* Spring washer	(838340)
58	955892	1	* Washer	
59		1	* Kit	
60		1	* Lever	
61	244965	1	* Spring	OBSOLETE PART
62	18839	1	* Gasket	
63		1	* Screw	
64	844229	1	* Stud	OBSOLETE PART
65	843166	1	* Washer	OBSOLETE PART
66		1	* COVER	
67		1	* COVER	
68	244967	1	* Spring	FOR FUEL INJECTION PUMP 838640,858207
	859339	1	* Spring	FOR FUEL INJECTION PUMP 838679,838680,838681
69	244961	1	* Lever	
70	244969	1	* Lever	
71	949607	1	* Spring washer	(838340)
72	940197	1	* Hexagon nut	
73	844652	1	* Spacer sleeve	OBSOLETE PART

MD31A



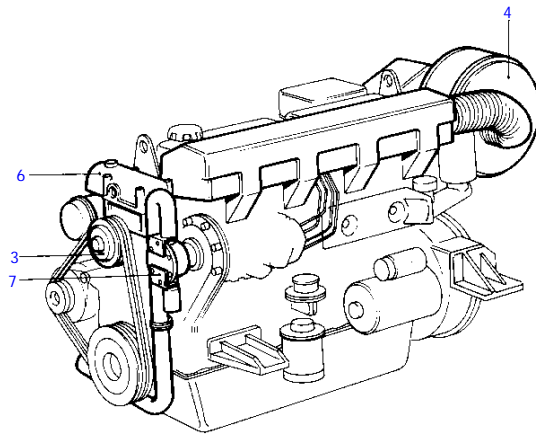
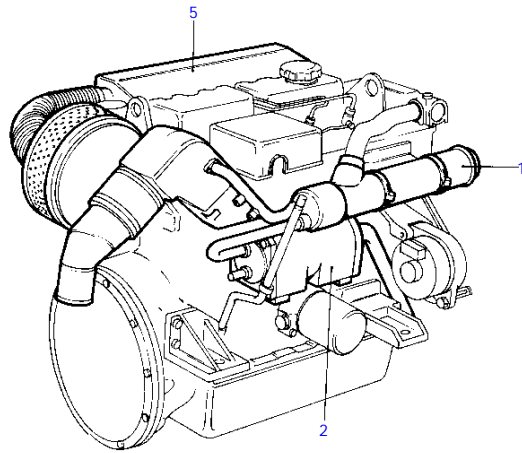
8041

MD31A

REF	QTY	DESCRIPTION	SEE SEC.
1	1	HEAT EXCHANGER WITH INSTALLATION COMPONENTS	19187
2	1	OIL COOLER WITH INSTALLATION COMPONENTS	19140
3	1	CIRCULATION PUMP WITH INSTALLATION COMPONENTS	19191
4	1	AIR FILTER WITH INSTALLATION COMPONENTS	19147
5	1	INDUCTION- AND EXHAUST MANIFOLD WITH INSTALLATION COMPONENTS	19153
6	1	THERMOSTAT HOUSING WITH INSTALLATION COMPONENTS	19166
7	1	SEA WATER PUMP WITH INSTALLATION COMPONENTS	19133



MD31A

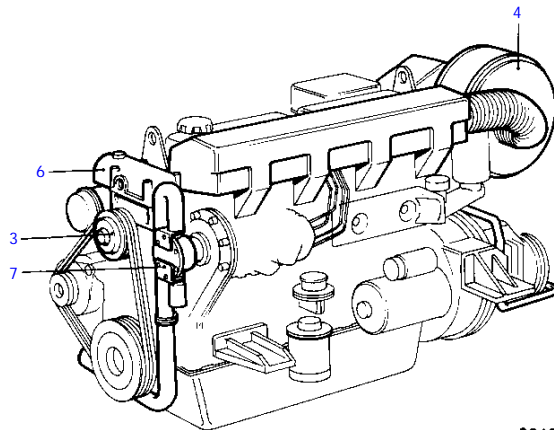
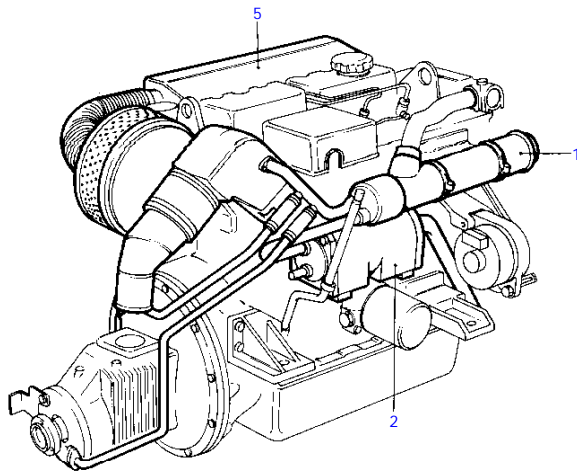


8041

MD31A

REF	QTY	DESCRIPTION	SEE SEC.
1	1	HEAT EXCHANGER WITH INSTALLATION COMPONENTS	19187
2	1	OIL COOLER WITH INSTALLATION COMPONENTS	19140
3	1	CIRCULATION PUMP WITH INSTALLATION COMPONENTS	19191
4	1	AIR FILTER WITH INSTALLATION COMPONENTS	19147
5	1	INDUCTION- AND EXHAUST MANIFOLD WITH INSTALLATION COMPONENTS	19153
6	1	THERMOSTAT HOUSING WITH INSTALLATION COMPONENTS	19166
7	1	SEA WATER PUMP WITH INSTALLATION COMPONENTS	19133

MD31A

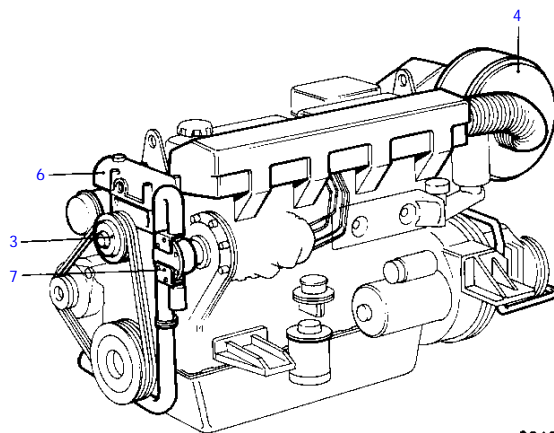
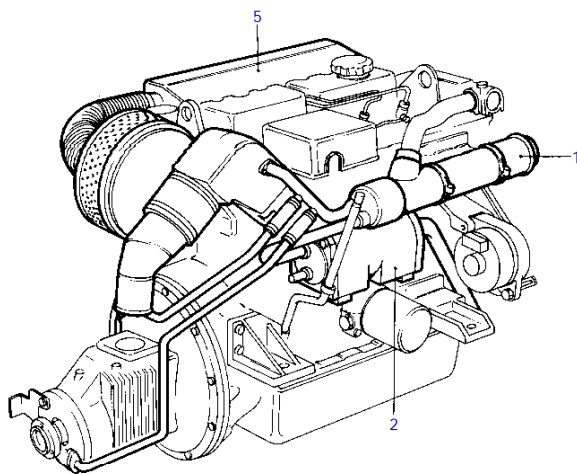


8042

MD31A

REF	QTY	DESCRIPTION	SEE SEC.
1	1	HEAT EXCHANGER WITH INSTALLATION COMPONENTS	19187
2	1	OIL COOLER WITH INSTALLATION COMPONENTS	19140
3	1	CIRCULATION PUMP WITH INSTALLATION COMPONENTS	19191
4	1	AIR FILTER WITH INSTALLATION COMPONENTS	19147
5	1	INDUCTION- AND EXHAUST MANIFOLD WITH INSTALLATION COMPONENTS	19153
6	1	THERMOSTAT HOUSING WITH INSTALLATION COMPONENTS	19166
7	1	SEA WATER PUMP WITH INSTALLATION COMPONENTS	19133

MD31A



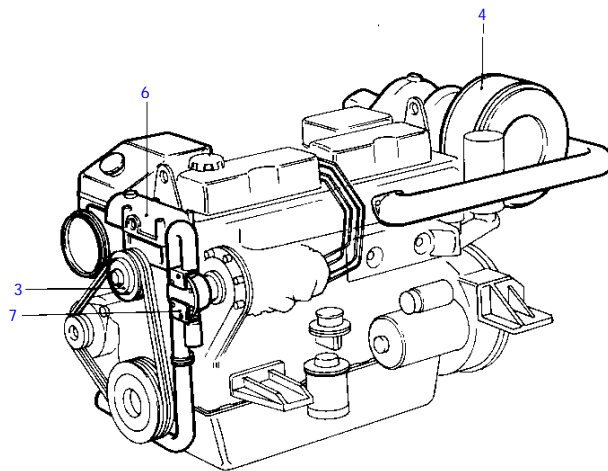
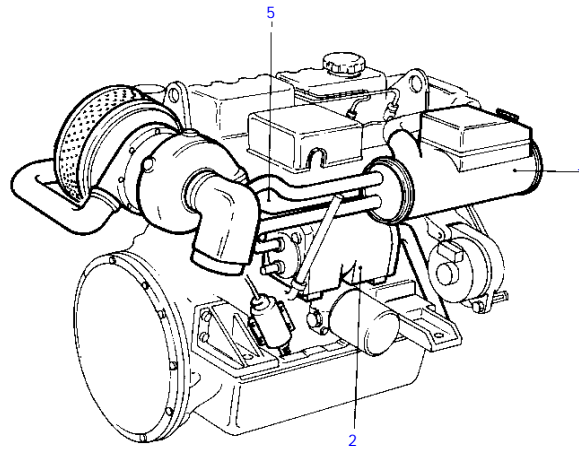
8042

MD31A

REF	QTY	DESCRIPTION	SEE SEC.
1	1	HEAT EXCHANGER WITH INSTALLATION COMPONENTS	19187
2	1	OIL COOLER WITH INSTALLATION COMPONENTS	19140
3	1	CIRCULATION PUMP WITH INSTALLATION COMPONENTS	19191
4	1	AIR FILTER WITH INSTALLATION COMPONENTS	19147
5	1	INDUCTION- AND EXHAUST MANIFOLD WITH INSTALLATION COMPONENTS	19153
6	1	THERMOSTAT HOUSING WITH INSTALLATION COMPONENTS	19166
7	1	SEA WATER PUMP WITH INSTALLATION COMPONENTS	19133



TMD31A

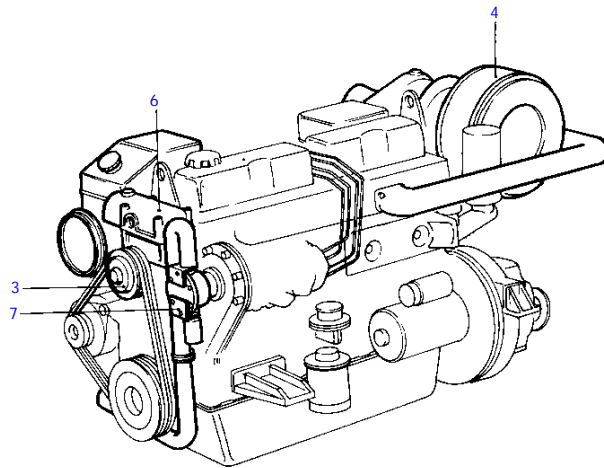
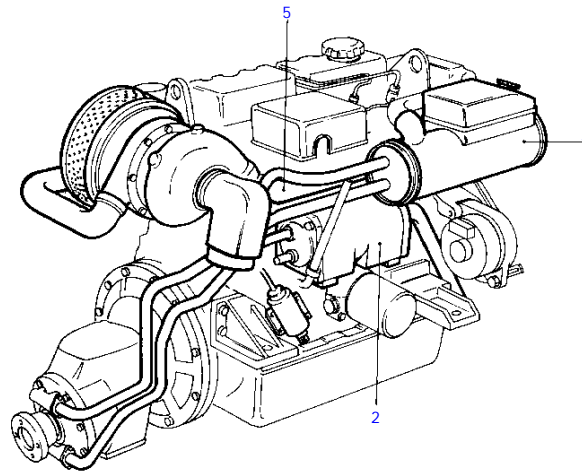


8408

TMD31A

REF	QTY	DESCRIPTION	SEE SEC.
1	1	HEAT EXCHANGER WITH INSTALLATION COMPONENTS	19188
2	1	OIL COOLER WITH INSTALLATION COMPONENTS	19140
3	1	CIRCULATION PUMP WITH INSTALLATION COMPONENTS	19192
4	1	TURBO AND AIR FILTER WITH INSTALLATION COMPONENTS	19148
5	1	INDUCTION- AND EXHAUST MANIFOLD WITH INSTALLATION COMPONENTS	19154
6	1	THERMOSTAT HOUSING WITH INSTALLATION COMPONENTS	19167
7	1	SEA WATER PUMP WITH INSTALLATION COMPONENTS	19133

TMD31A

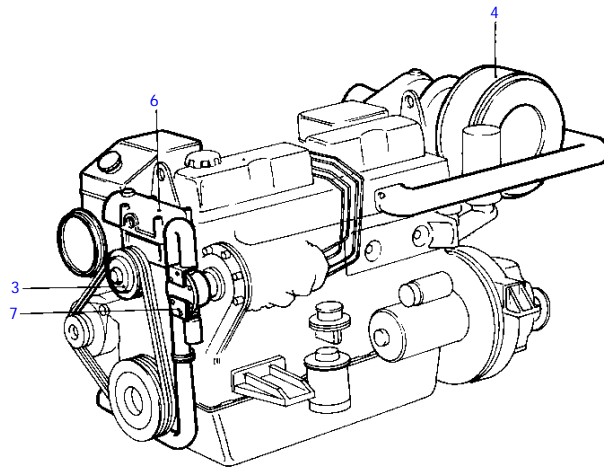
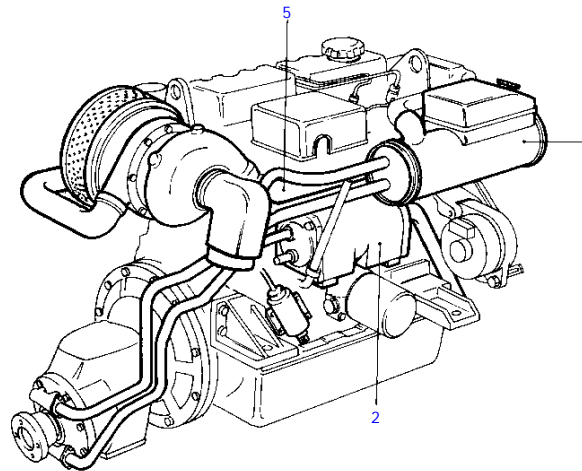


8409

TMD31A

REF	QTY	DESCRIPTION	SEE SEC.
1	1	HEAT EXCHANGER WITH INSTALLATION COMPONENTS	19188
2	1	OIL COOLER WITH INSTALLATION COMPONENTS	19140
3	1	CIRCULATION PUMP WITH INSTALLATION COMPONENTS	19192
4	1	TURBO AND AIR FILTER WITH INSTALLATION COMPONENTS	19148
5	1	INDUCTION- AND EXHAUST MANIFOLD WITH INSTALLATION COMPONENTS	19154
6	1	THERMOSTAT HOUSING WITH INSTALLATION COMPONENTS	19167
7	1	SEA WATER PUMP WITH INSTALLATION COMPONENTS	19133

TMD31A

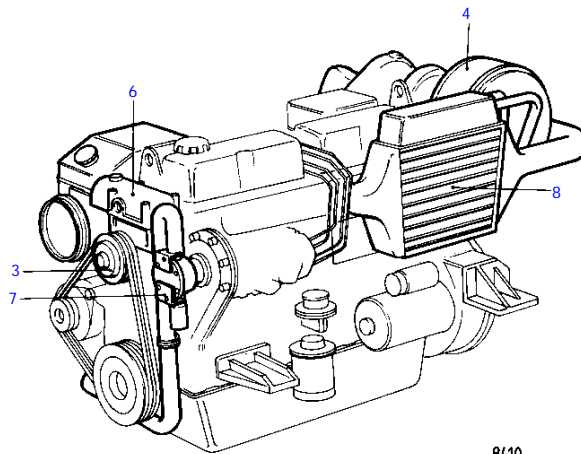
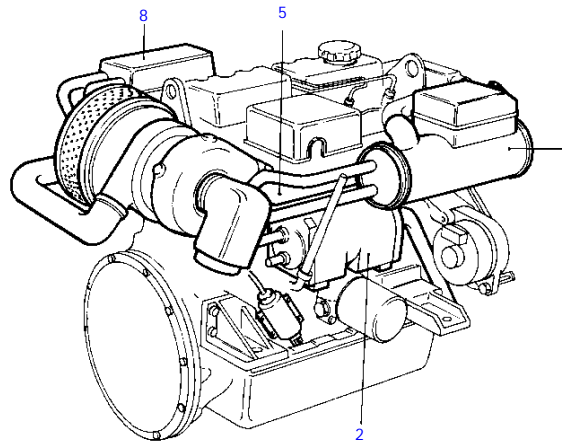


8409

TMD31A

REF	QTY	DESCRIPTION	SEE SEC.
1	1	HEAT EXCHANGER WITH INSTALLATION COMPONENTS	19188
2	1	OIL COOLER WITH INSTALLATION COMPONENTS	19140
3	1	CIRCULATION PUMP WITH INSTALLATION COMPONENTS	19192
4	1	TURBO AND AIR FILTER WITH INSTALLATION COMPONENTS	19148
5	1	INDUCTION- AND EXHAUST MANIFOLD WITH INSTALLATION COMPONENTS	19154
6	1	THERMOSTAT HOUSING WITH INSTALLATION COMPONENTS	19167
7	1	SEA WATER PUMP WITH INSTALLATION COMPONENTS	19133

TAMD31A

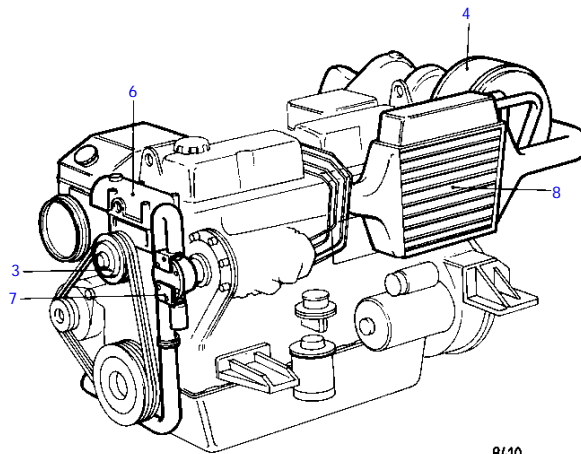
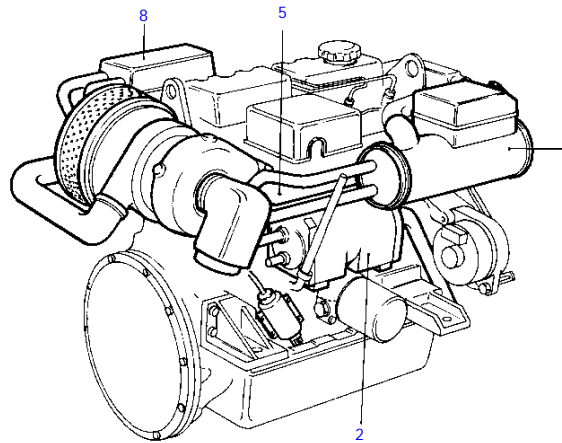


8410

TAMD31A

REF	QTY	DESCRIPTION	SEE SEC.
1	1	HEAT EXCHANGER WITH INSTALLATION COMPONENTS	19188
2	1	OIL COOLER WITH INSTALLATION COMPONENTS	19140
3	1	CIRCULATION PUMP WITH INSTALLATION COMPONENTS	19192
4	1	TURBO AND AIR FILTER WITH INSTALLATION COMPONENTS	19148
5	1	INDUCTION- AND EXHAUST MANIFOLD WITH INSTALLATION COMPONENTS	19155
6	1	THERMOSTAT HOUSING WITH INSTALLATION COMPONENTS	19167
7	1	SEA WATER PUMP WITH INSTALLATION COMPONENTS	19133
8	1	AFTER COOLER WITH INSTALLATION COMPONENTS	19162

TAMD31A

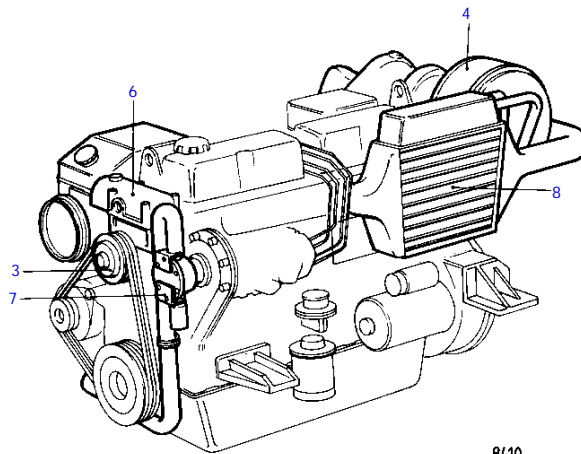
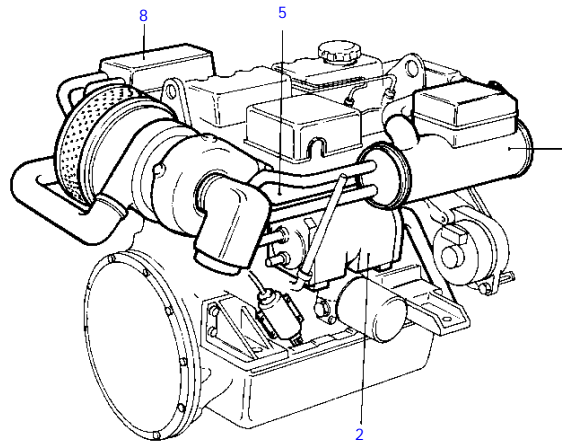


8410

TAMD31A

REF	QTY	DESCRIPTION	SEE SEC.
1	1	HEAT EXCHANGER WITH INSTALLATION COMPONENTS	19188
2	1	OIL COOLER WITH INSTALLATION COMPONENTS	19140
3	1	CIRCULATION PUMP WITH INSTALLATION COMPONENTS	19192
4	1	TURBO AND AIR FILTER WITH INSTALLATION COMPONENTS	19148
5	1	INDUCTION- AND EXHAUST MANIFOLD WITH INSTALLATION COMPONENTS	19155
6	1	THERMOSTAT HOUSING WITH INSTALLATION COMPONENTS	19167
7	1	SEA WATER PUMP WITH INSTALLATION COMPONENTS	19133
8	1	AFTER COOLER WITH INSTALLATION COMPONENTS	19162

TAMD31A

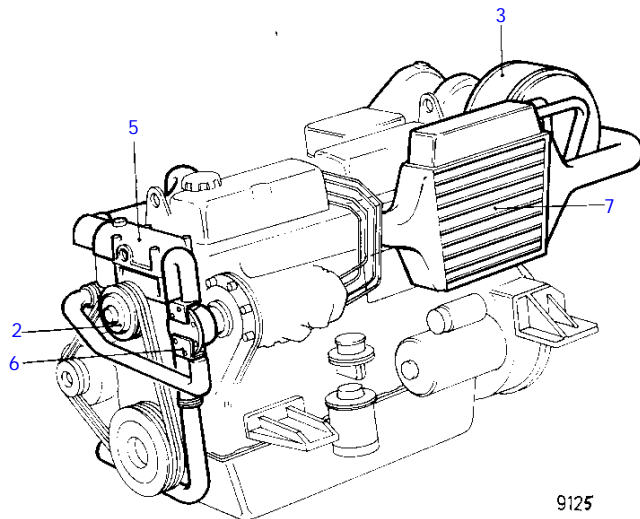
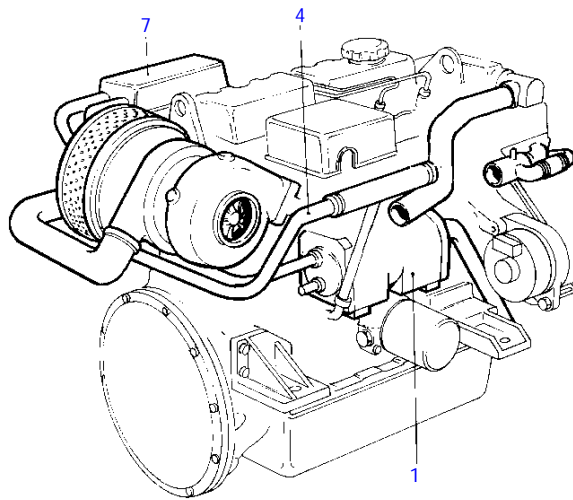


8410

TAMD31A

REF	QTY	DESCRIPTION	SEE SEC.
1	1	HEAT EXCHANGER WITH INSTALLATION COMPONENTS	19188
2	1	OIL COOLER WITH INSTALLATION COMPONENTS	19140
3	1	CIRCULATION PUMP WITH INSTALLATION COMPONENTS	19192
4	1	TURBO AND AIR FILTER WITH INSTALLATION COMPONENTS	19148
5	1	INDUCTION- AND EXHAUST MANIFOLD WITH INSTALLATION COMPONENTS	19155
6	1	THERMOSTAT HOUSING WITH INSTALLATION COMPONENTS	19167
7	1	SEA WATER PUMP WITH INSTALLATION COMPONENTS	19133
8	1	AFTER COOLER WITH INSTALLATION COMPONENTS	19162

TAMD31A

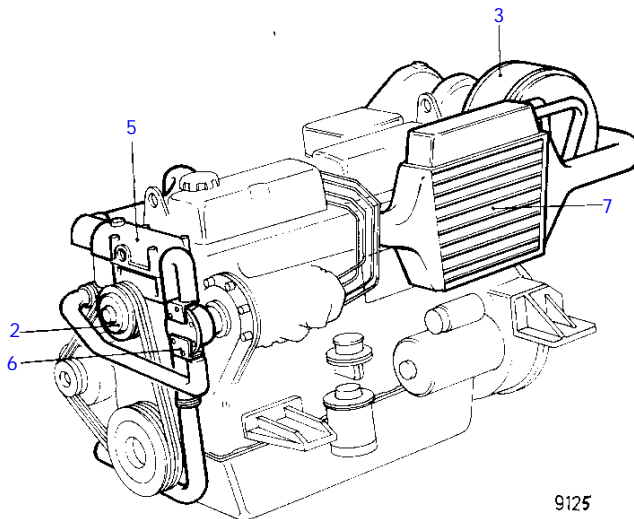
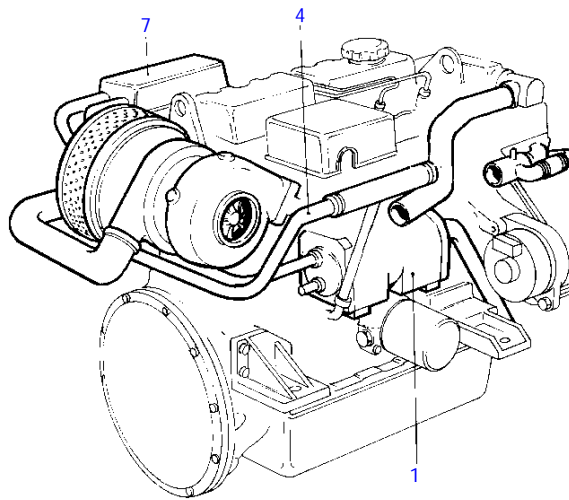


9125

TAMD31A

REF	QTY	DESCRIPTION	SEE SEC.
1	1	OIL COOLER WITH INSTALLATION COMPONENTS	19142
2	1	CIRCULATION PUMP WITH INSTALLATION COMPONENTS	19193
3	1	TURBO AND AIR FILTER WITH INSTALLATION COMPONENTS	19149
4	1	INDUCTION- AND EXHAUST MANIFOLD WITH INSTALLATION COMPONENTS	19156
5	1	THERMOSTAT HOUSING AND EXPANSION TANK WITH INSTALLATION COMPONENTS	19169
6	1	WATER PUMP WITH INSTALLATION COMPONENTS	19134
7	1	AFTER COOLER WITH INSTALLATION COMPONENTS	19163

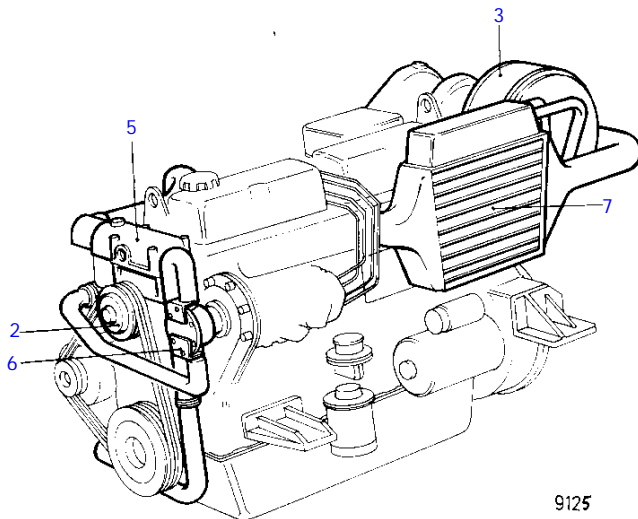
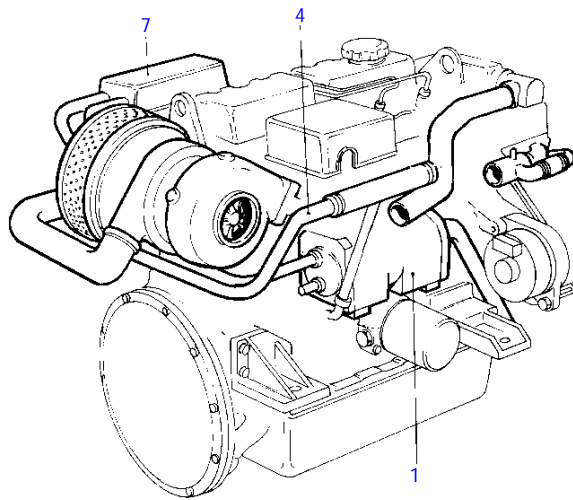
TAMD31A



TAMD31A

REF	QTY	DESCRIPTION	SEE SEC.
1	1	OIL COOLER WITH INSTALLATION COMPONENTS	19142
2	1	CIRCULATION PUMP WITH INSTALLATION COMPONENTS	19193
3	1	TURBO AND AIR FILTER WITH INSTALLATION COMPONENTS	19149
4	1	INDUCTION- AND EXHAUST MANIFOLD WITH INSTALLATION COMPONENTS	19156
5	1	THERMOSTAT HOUSING AND EXPANSION TANK WITH INSTALLATION COMPONENTS	19169
6	1	WATER PUMP WITH INSTALLATION COMPONENTS	19134
7	1	AFTER COOLER WITH INSTALLATION COMPONENTS	19163

TAMD31A

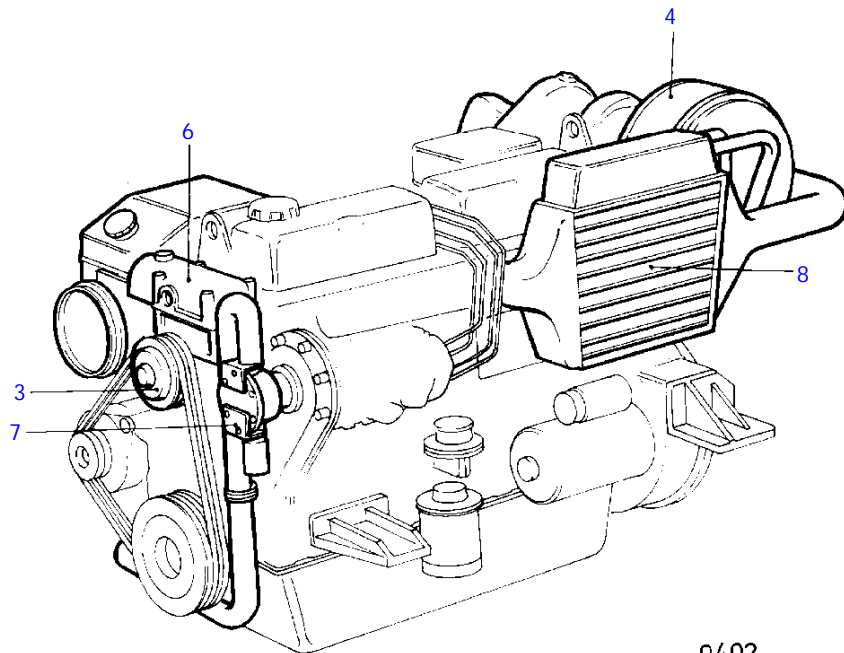
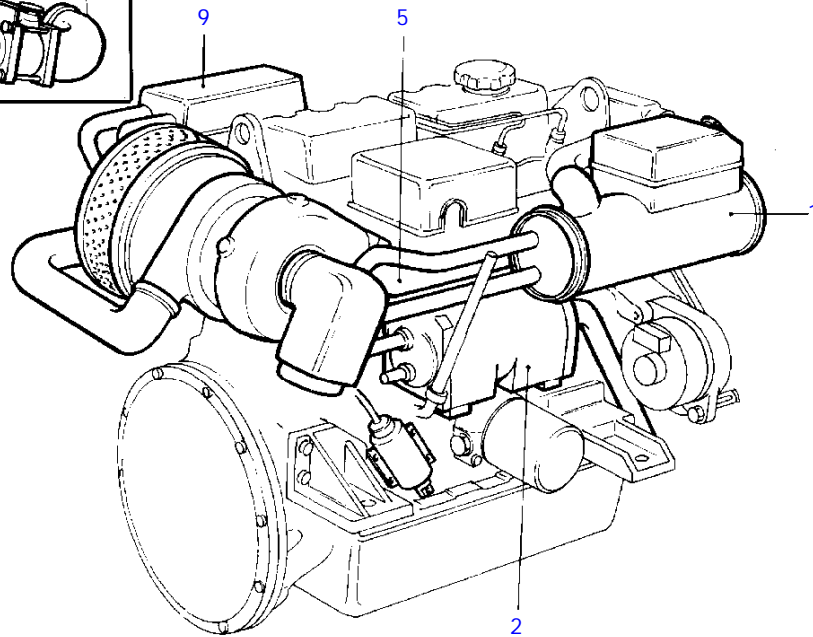
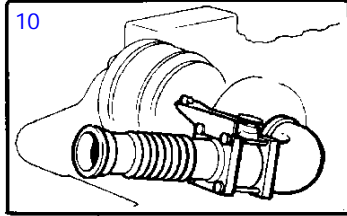


9125

TAMD31A

REF	QTY	DESCRIPTION	SEE SEC.
1	1	OIL COOLER WITH INSTALLATION COMPONENTS	19142
2	1	CIRCULATION PUMP WITH INSTALLATION COMPONENTS	19193
3	1	TURBO AND AIR FILTER WITH INSTALLATION COMPONENTS	19149
4	1	INDUCTION- AND EXHAUST MANIFOLD WITH INSTALLATION COMPONENTS	19156
5	1	THERMOSTAT HOUSING AND EXPANSION TANK WITH INSTALLATION COMPONENTS	19169
6	1	WATER PUMP WITH INSTALLATION COMPONENTS	19134
7	1	AFTER COOLER WITH INSTALLATION COMPONENTS	19163

TAMD31A

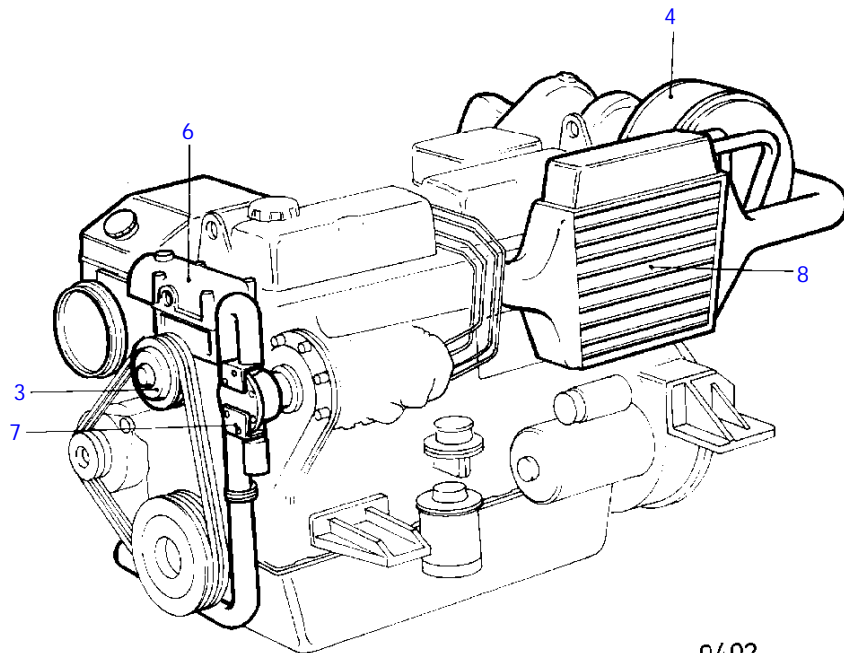
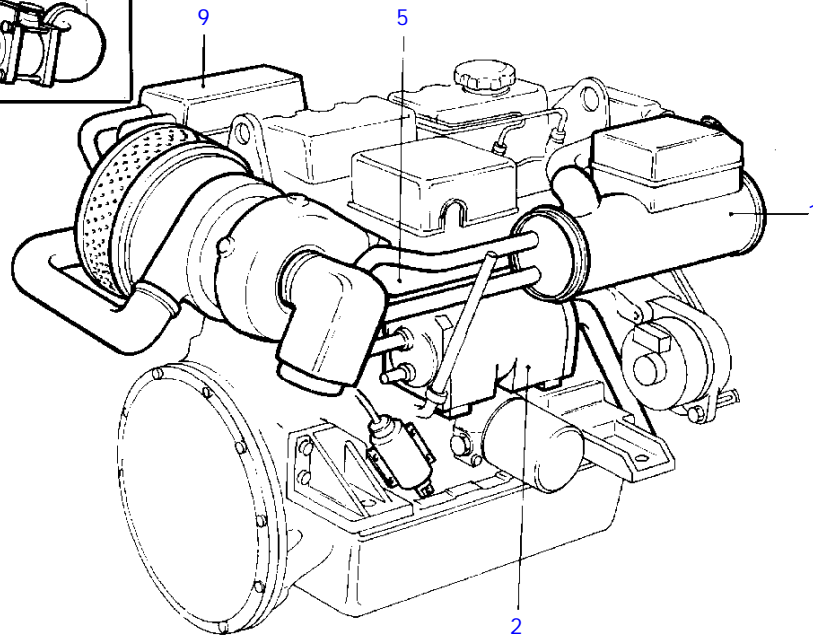
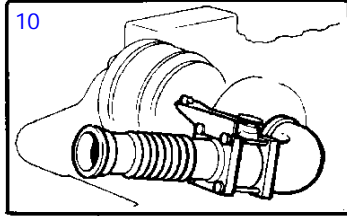


9402

TAMD31A

REF	QTY	DESCRIPTION	SEE SEC.	NOTES
1	1	HEAT EXCHANGER WITH INSTALLATION COMPONENTS	19188	
2	1	OIL COOLER WITH INSTALLATION COMPONENTS	19142	
3	1	CIRCULATION PUMP WITH INSTALLATION COMPONENTS	19193	
4	1	TURBO AND AIR FILTER WITH INSTALLATION COMPONENTS	19149	
5	1	INDUCTION- AND EXHAUST MANIFOLD WITH INSTALLATION COMPONENTS	19156	
6	1	THERMOSTAT HOUSING AND EXPANSION TANK WITH INSTALLATION COMPONENTS	19169	
7	1	WATER PUMP WITH INSTALLATION COMPONENTS	19134	
8	1	AFTER COOLER WITH INSTALLATION COMPONENTS	19163	
9	1	EXHAUST LINE, WET		ALT SEE GROUP 9
10	1	EXHAUST LINE, DRY		ALT SEE GROUP 9

TAMD31A

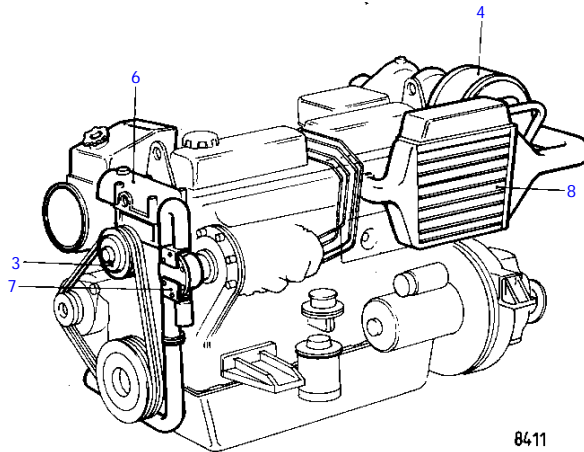
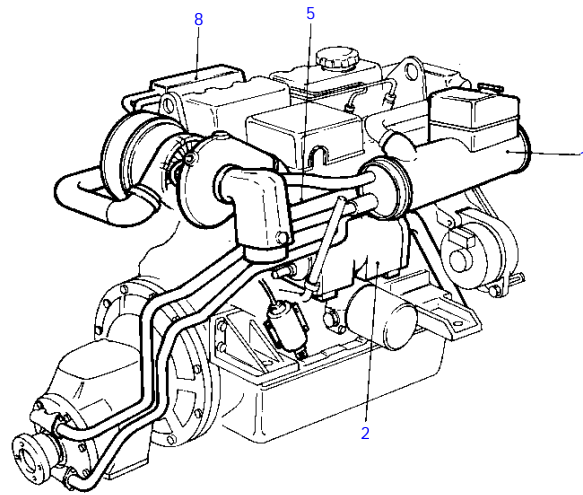


9402

TAMD31A

REF	QTY	DESCRIPTION	SEE SEC.	NOTES
1	1	HEAT EXCHANGER WITH INSTALLATION COMPONENTS	19188	
2	1	OIL COOLER WITH INSTALLATION COMPONENTS	19142	
3	1	CIRCULATION PUMP WITH INSTALLATION COMPONENTS	19193	
4	1	TURBO AND AIR FILTER WITH INSTALLATION COMPONENTS	19149	
5	1	INDUCTION- AND EXHAUST MANIFOLD WITH INSTALLATION COMPONENTS	19156	
6	1	THERMOSTAT HOUSING AND EXPANSION TANK WITH INSTALLATION COMPONENTS	19169	
7	1	WATER PUMP WITH INSTALLATION COMPONENTS	19134	
8	1	AFTER COOLER WITH INSTALLATION COMPONENTS	19163	
9	1	EXHAUST LINE, WET		ALT SEE GROUP 9
10	1	EXHAUST LINE, DRY		ALT SEE GROUP 9

TAMD31A

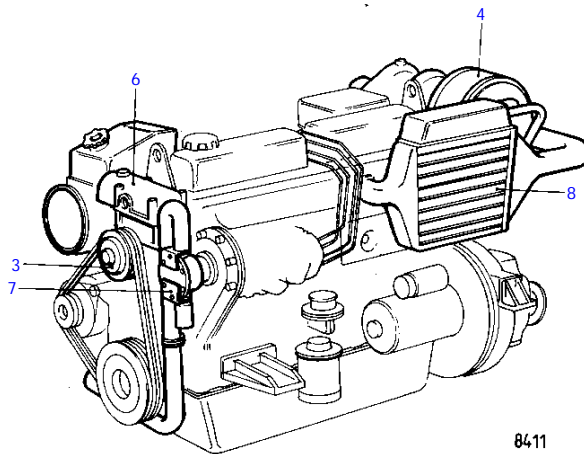
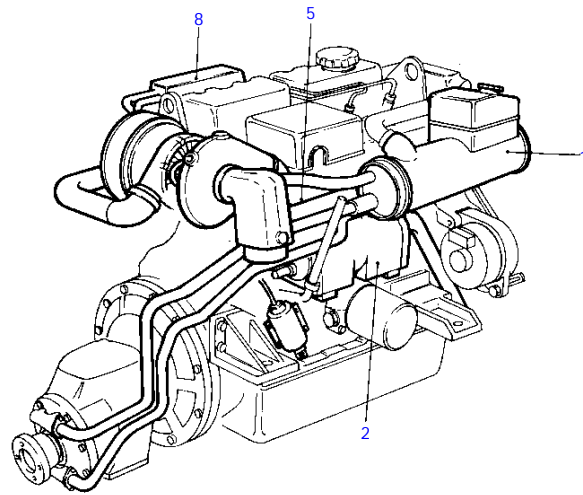


8411

TAMD31A

REF	QTY	DESCRIPTION	SEE SEC.
1	1	HEAT EXCHANGER WITH INSTALLATION COMPONENTS	19188
2	1	OIL COOLER WITH INSTALLATION COMPONENTS	19140
3	1	CIRCULATION PUMP WITH INSTALLATION COMPONENTS	19192
4	1	TURBO AND AIR FILTER WITH INSTALLATION COMPONENTS	19148
5	1	INDUCTION- AND EXHAUST MANIFOLD WITH INSTALLATION COMPONENTS	19155
6	1	THERMOSTAT HOUSING WITH INSTALLATION COMPONENTS	19167
7	1	SEA WATER PUMP WITH INSTALLATION COMPONENTS	19133
8	1	AFTER COOLER WITH INSTALLATION COMPONENTS	19162

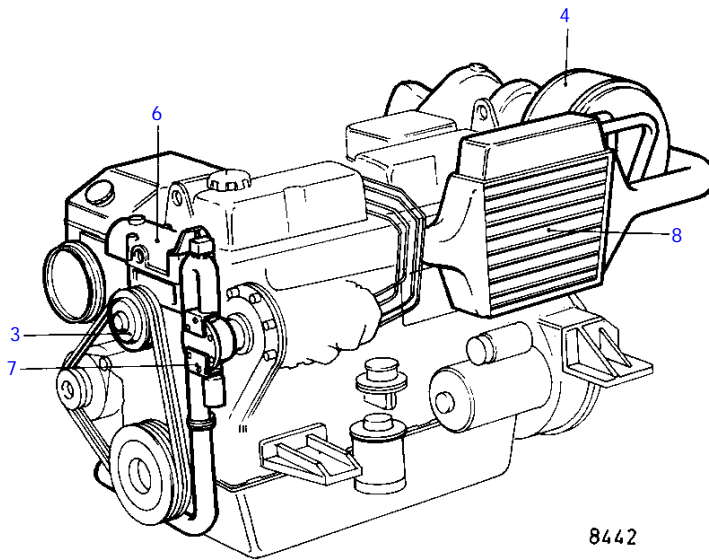
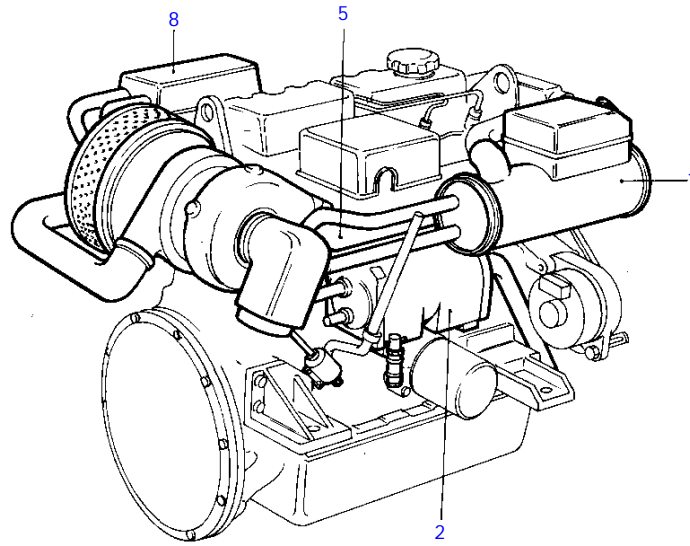
TAMD31A



8411

TAMD31A

REF	QTY	DESCRIPTION	SEE SEC.
1	1	HEAT EXCHANGER WITH INSTALLATION COMPONENTS	19188
2	1	OIL COOLER WITH INSTALLATION COMPONENTS	19140
3	1	CIRCULATION PUMP WITH INSTALLATION COMPONENTS	19192
4	1	TURBO AND AIR FILTER WITH INSTALLATION COMPONENTS	19148
5	1	INDUCTION- AND EXHAUST MANIFOLD WITH INSTALLATION COMPONENTS	19155
6	1	THERMOSTAT HOUSING WITH INSTALLATION COMPONENTS	19167
7	1	SEA WATER PUMP WITH INSTALLATION COMPONENTS	19133
8	1	AFTER COOLER WITH INSTALLATION COMPONENTS	19162



8442

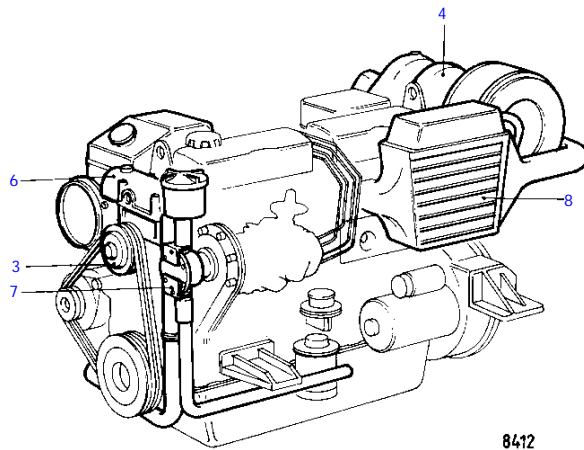
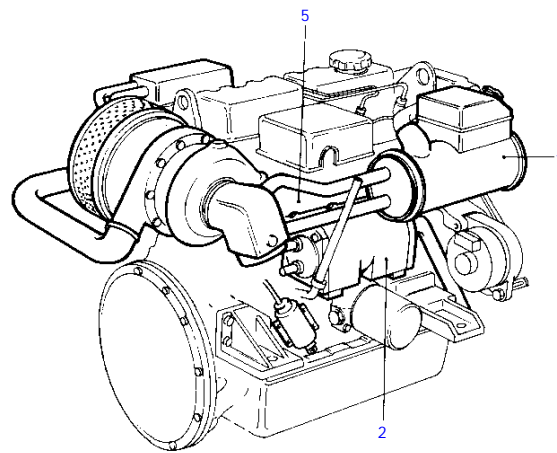
--

REF	QTY	DESCRIPTION	SEE SEC.
1	1	HEAT EXCHANGER WITH INSTALLATION COMPONENTS	19189
2	1	OIL COOLER WITH INSTALLATION COMPONENTS	19143
3	1	CIRCULATION PUMP WITH INSTALLATION COMPONENTS	19194
4	1	TURBO AND AIR FILTER WITH INSTALLATION COMPONENTS	19150
5	1	INDUCTION- AND EXHAUST MANIFOLD WITH INSTALLATION COMPONENTS	19157
6	1	THERMOSTAT HOUSING WITH INSTALLATION COMPONENTS	19170
7	1	SEA WATER PUMP WITH INSTALLATION COMPONENTS	19135
8	1	AFTER COOLER WITH INSTALLATION COMPONENTS	19164

--	--	--	--



AQAD31A



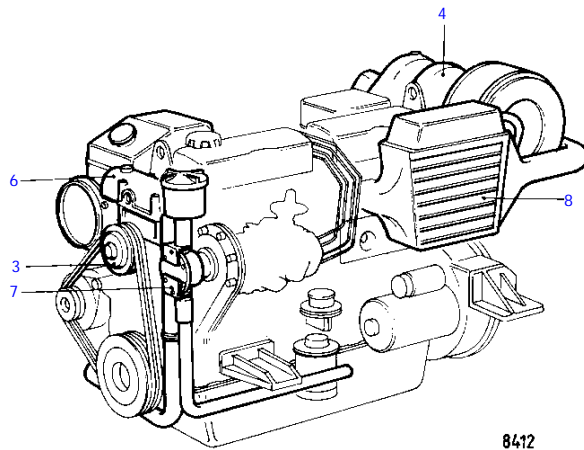
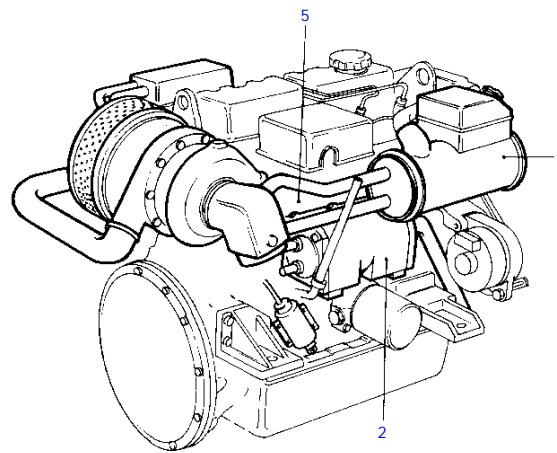
8412

AQAD31A

REF	QTY	DESCRIPTION	SEE SEC.
1	1	HEAT EXCHANGER WITH INSTALLATION COMPONENTS	19188
2	1	OIL COOLER WITH INSTALLATION COMPONENTS	19141
3	1	CIRCULATION PUMP WITH INSTALLATION COMPONENTS	19192
4	1	TURBO AND AIR FILTER WITH INSTALLATION COMPONENTS	19148
5	1	INDUCTION- AND EXHAUST MANIFOLD WITH INSTALLATION COMPONENTS	19155
6	1	THERMOSTAT HOUSING WITH INSTALLATION COMPONENTS	19167
7	1	SEA WATER PUMP WITH INSTALLATION COMPONENTS	19137
8	1	AFTER COOLER WITH INSTALLATION COMPONENTS	19162



AD31A

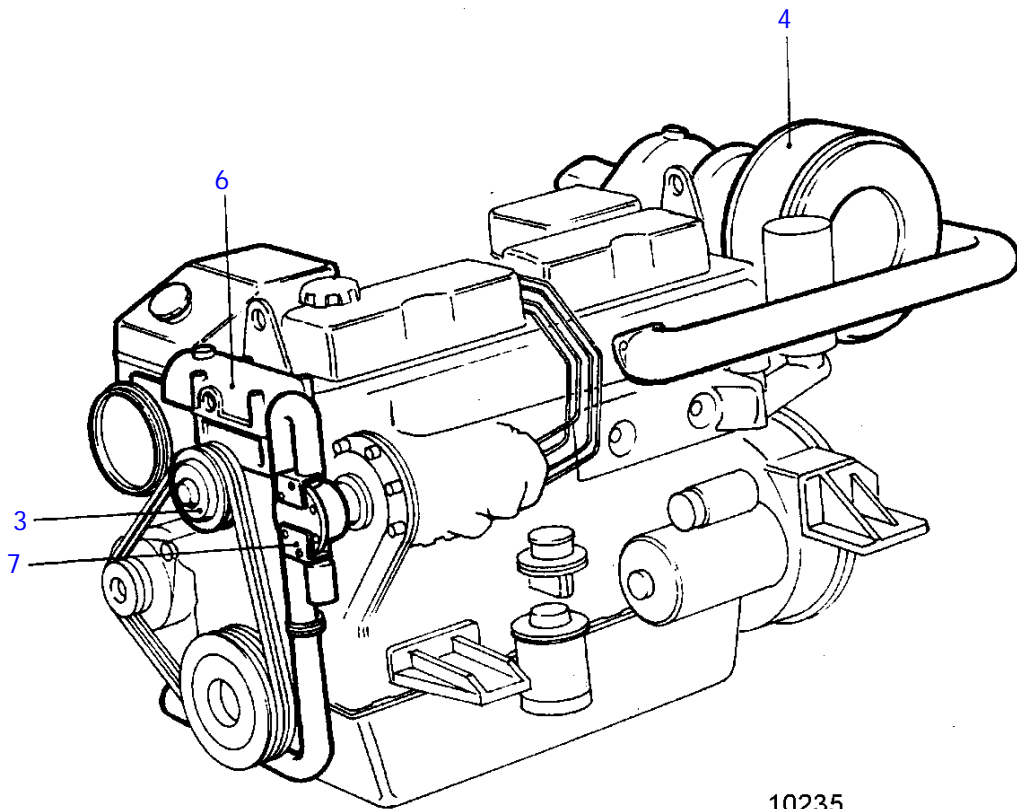
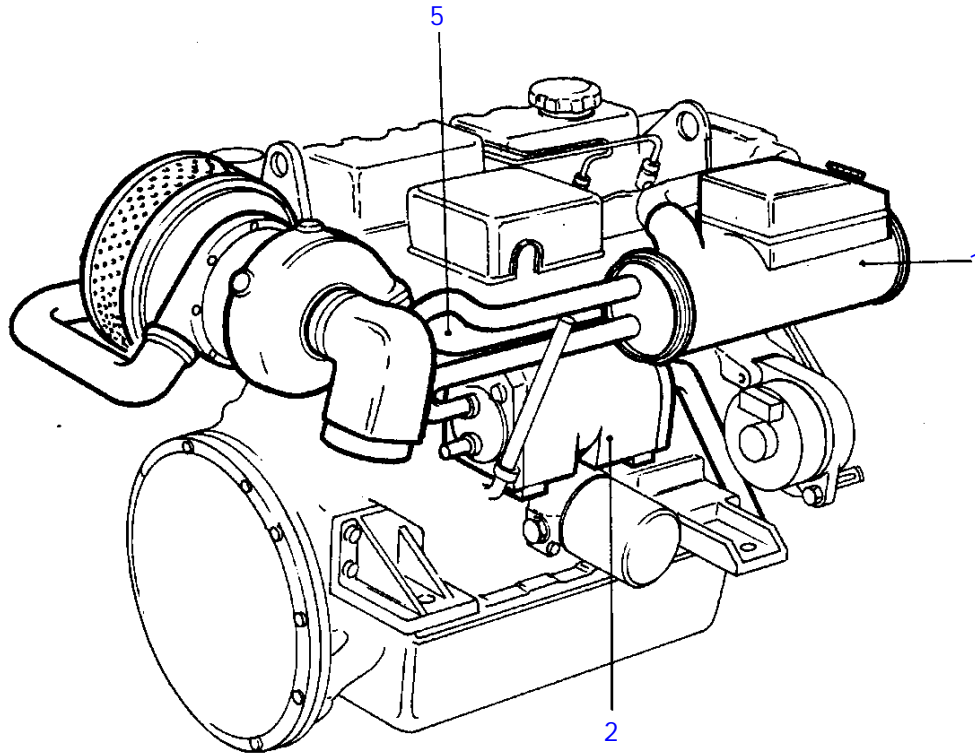


AD31A

REF	QTY	DESCRIPTION	SEE SEC.
1	1	HEAT EXCHANGER WITH INSTALLATION COMPONENTS	19188
2	1	OIL COOLER WITH INSTALLATION COMPONENTS	19141
3	1	CIRCULATION PUMP WITH INSTALLATION COMPONENTS	19192
4	1	TURBO AND AIR FILTER WITH INSTALLATION COMPONENTS	19148
5	1	INDUCTION- AND EXHAUST MANIFOLD WITH INSTALLATION COMPONENTS	19155
6	1	THERMOSTAT HOUSING WITH INSTALLATION COMPONENTS	19167
7	1	SEA WATER PUMP WITH INSTALLATION COMPONENTS	19137
8	1	AFTER COOLER WITH INSTALLATION COMPONENTS	19162



TMD31B

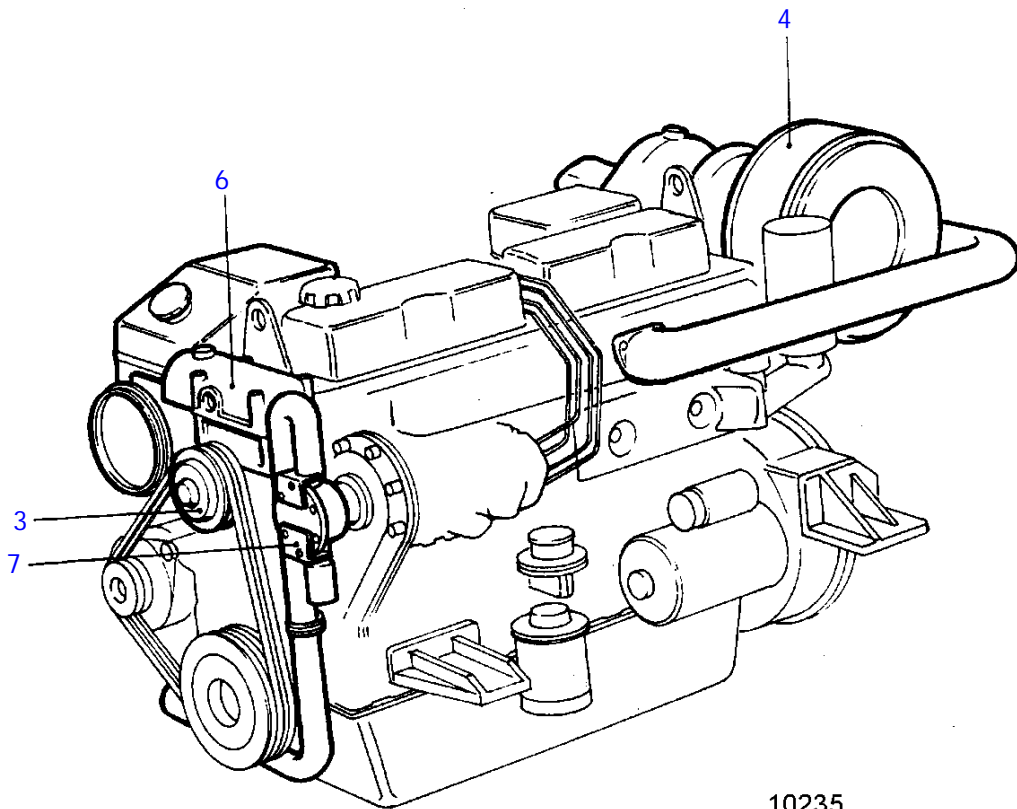
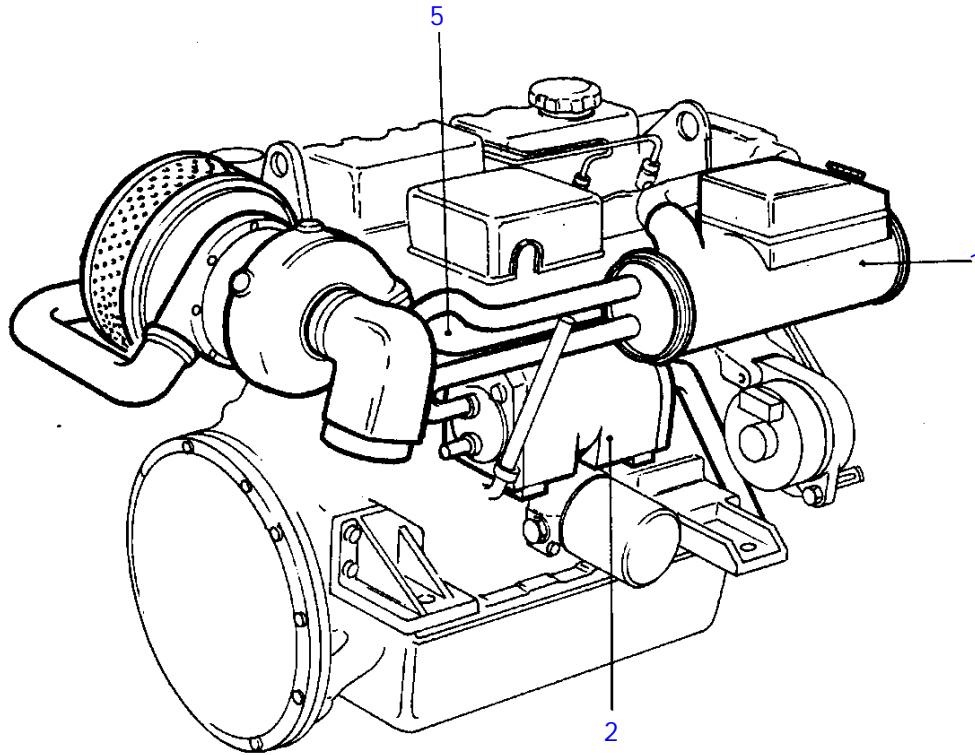


10235

TMD31B

REF	QTY	DESCRIPTION	SEE SEC.
1	1	HEAT EXCHANGER WITH INSTALLATION COMPONENTS	19190
2	1	OIL COOLER WITH INSTALLATION COMPONENTS	19144
3	1	CIRCULATION PUMP WITH INSTALLATION COMPONENTS	19195
4	1	TURBO AND AIR FILTER WITH INSTALLATION COMPONENTS	19151
5	1	INDUCTION- AND EXHAUST MANIFOLD WITH INSTALLATION COMPONENTS	19158
6	1	THERMOSTAT HOUSING WITH INSTALLATION COMPONENTS	19168
7	1	SEA WATER PUMP WITH INSTALLATION COMPONENTS	19136

TMD31B

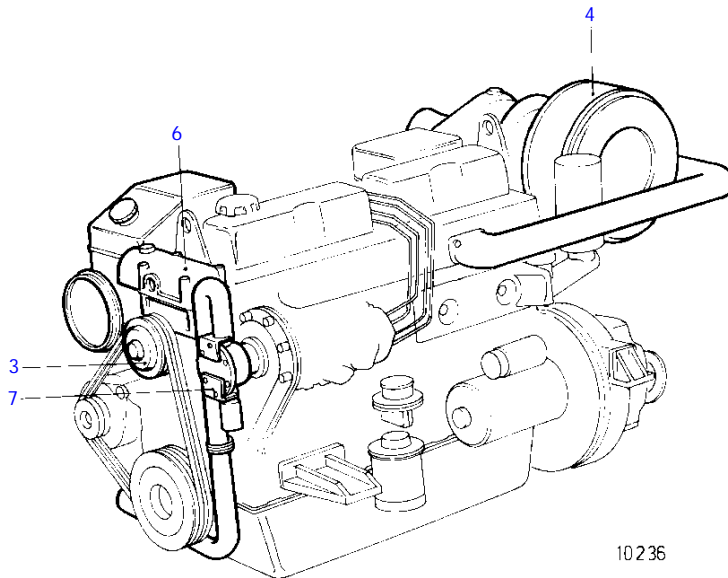
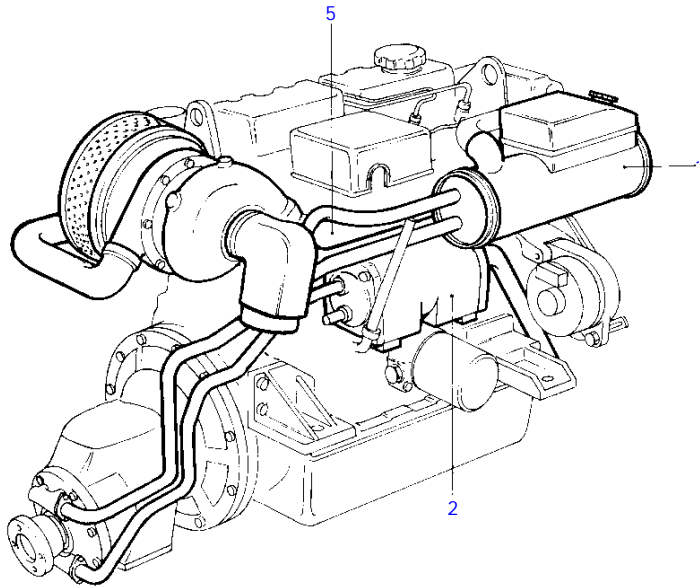


10235

TMD31B

REF	QTY	DESCRIPTION	SEE SEC.
1	1	HEAT EXCHANGER WITH INSTALLATION COMPONENTS	19190
2	1	OIL COOLER WITH INSTALLATION COMPONENTS	19144
3	1	CIRCULATION PUMP WITH INSTALLATION COMPONENTS	19195
4	1	TURBO AND AIR FILTER WITH INSTALLATION COMPONENTS	19151
5	1	INDUCTION- AND EXHAUST MANIFOLD WITH INSTALLATION COMPONENTS	19158
6	1	THERMOSTAT HOUSING WITH INSTALLATION COMPONENTS	19168
7	1	SEA WATER PUMP WITH INSTALLATION COMPONENTS	19136

TMD31B

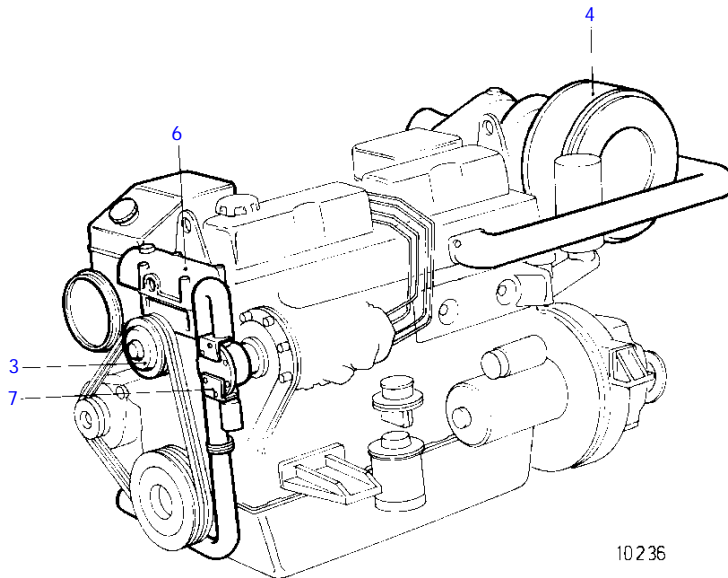
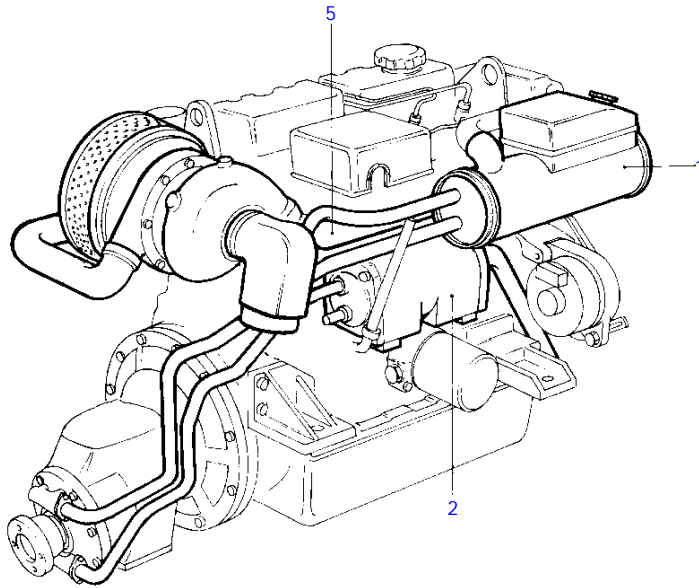


10236

TMD31B

REF	QTY	DESCRIPTION	SEE SEC.
1	1	HEAT EXCHANGER WITH INSTALLATION COMPONENTS	19190
2	1	OIL COOLER WITH INSTALLATION COMPONENTS	19144
3	1	CIRCULATION PUMP WITH INSTALLATION COMPONENTS	19195
4	1	TURBO AND AIR FILTER WITH INSTALLATION COMPONENTS	19151
5	1	INDUCTION- AND EXHAUST MANIFOLD WITH INSTALLATION COMPONENTS	19158
6	1	THERMOSTAT HOUSING WITH INSTALLATION COMPONENTS	19168
7	1	SEA WATER PUMP WITH INSTALLATION COMPONENTS	19136

TMD31B



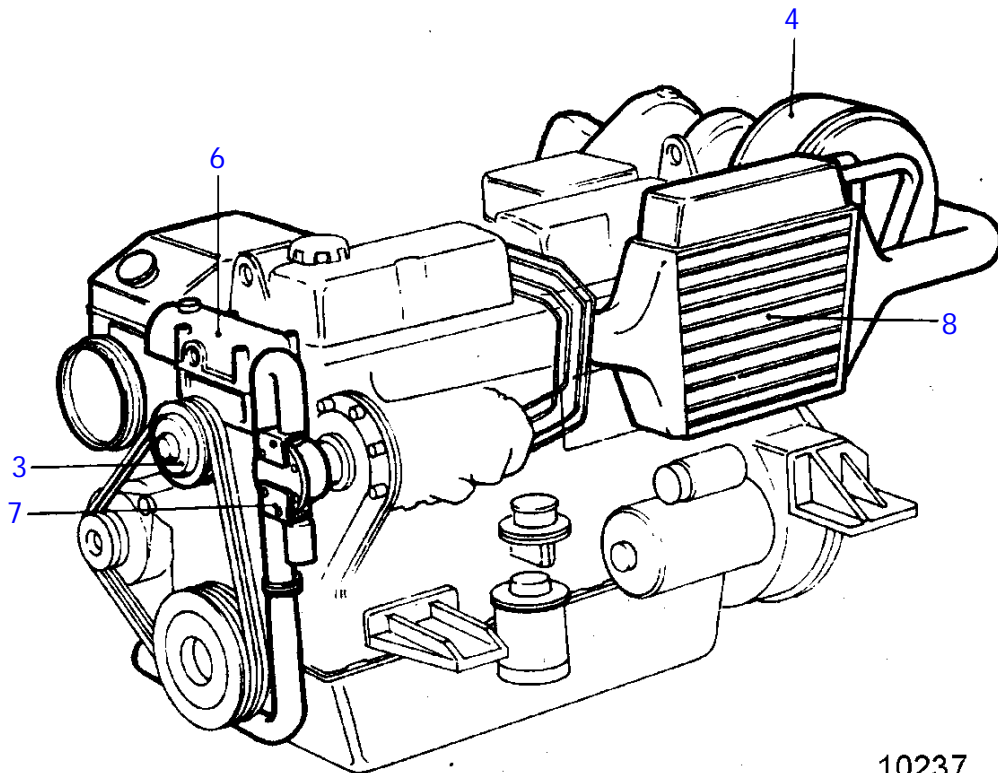
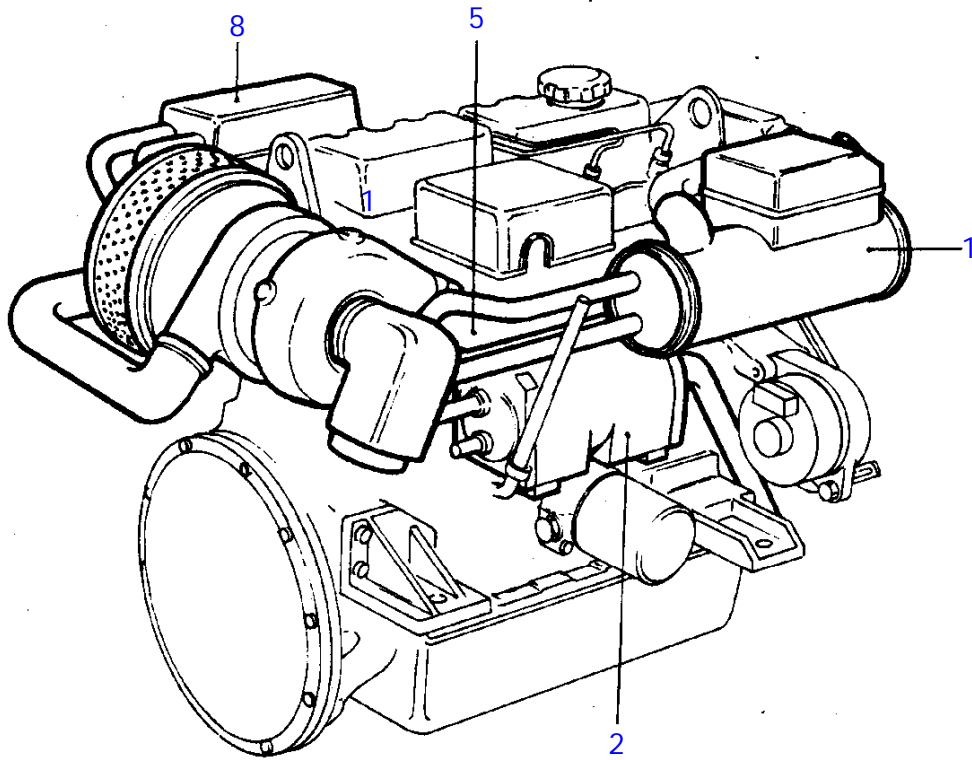
10236

TMD31B

REF	QTY	DESCRIPTION	SEE SEC.
1	1	HEAT EXCHANGER WITH INSTALLATION COMPONENTS	19190
2	1	OIL COOLER WITH INSTALLATION COMPONENTS	19144
3	1	CIRCULATION PUMP WITH INSTALLATION COMPONENTS	19195
4	1	TURBO AND AIR FILTER WITH INSTALLATION COMPONENTS	19151
5	1	INDUCTION- AND EXHAUST MANIFOLD WITH INSTALLATION COMPONENTS	19158
6	1	THERMOSTAT HOUSING WITH INSTALLATION COMPONENTS	19168
7	1	SEA WATER PUMP WITH INSTALLATION COMPONENTS	19136



TAMD31B

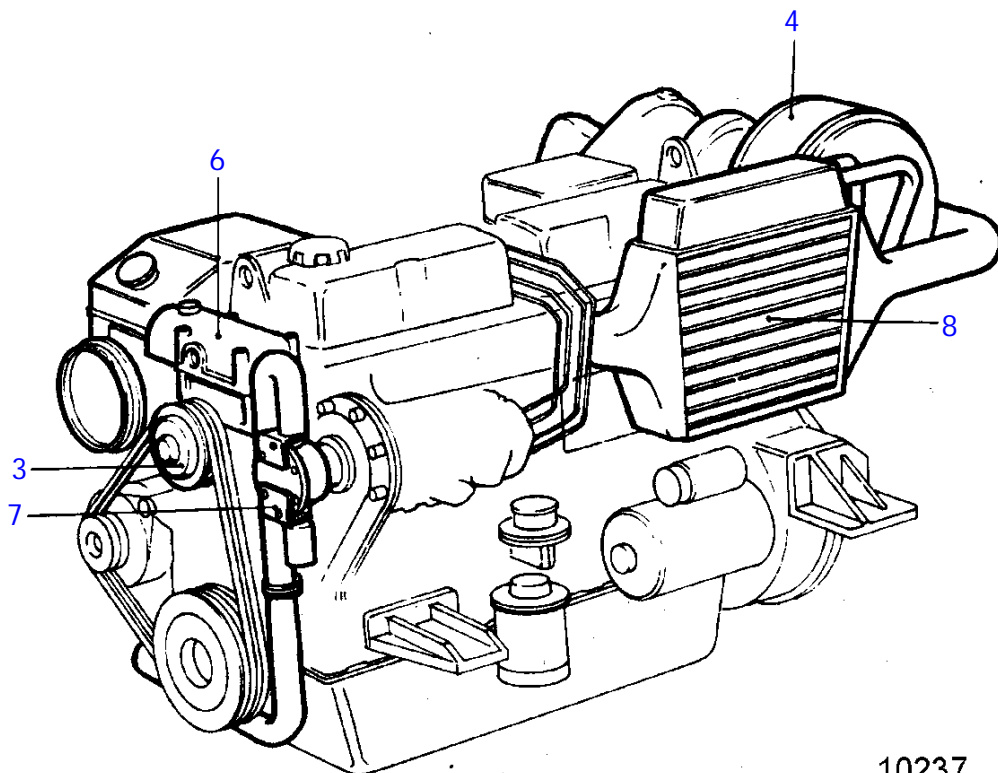
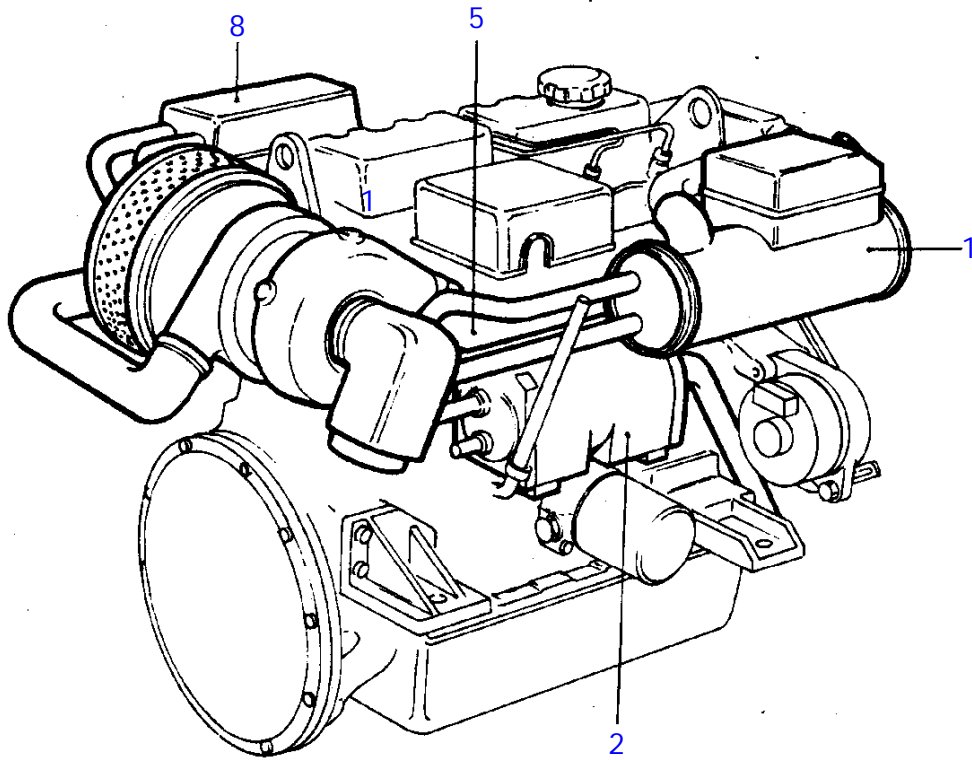


10237

TAMD31B

REF	QTY	DESCRIPTION	SEE SEC.
1	1	HEAT EXCHANGER WITH INSTALLATION COMPONENTS	19190
2	1	OIL COOLER WITH INSTALLATION COMPONENTS	19144
3	1	CIRCULATION PUMP WITH INSTALLATION COMPONENTS	19195
4	1	TURBO AND AIR FILTER WITH INSTALLATION COMPONENTS	19151
5	1	INDUCTION- AND EXHAUST MANIFOLD WITH INSTALLATION COMPONENTS	19159
6	1	THERMOSTAT HOUSING WITH INSTALLATION COMPONENTS	19168
7	1	SEA WATER PUMP WITH INSTALLATION COMPONENTS	19136
8	1	AFTER COOLER WITH INSTALLATION COMPONENTS	19165

TAMD31B



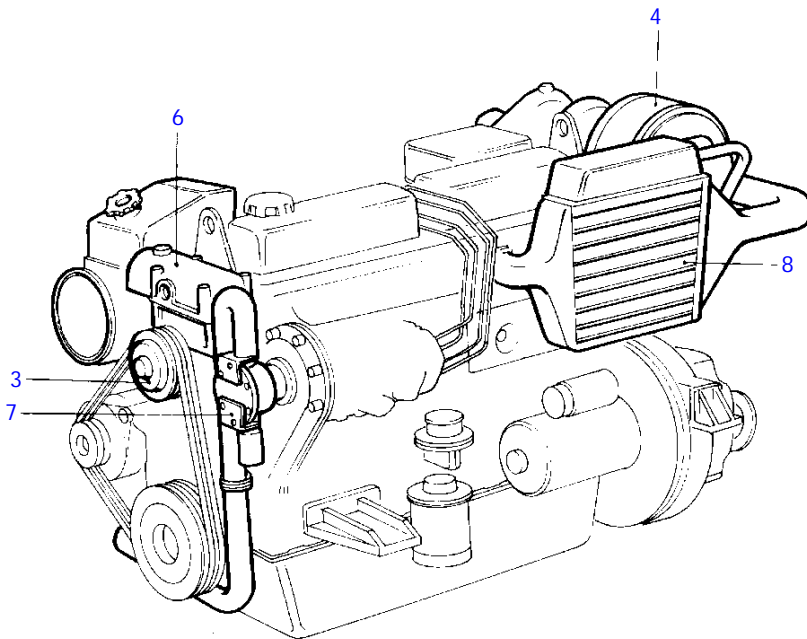
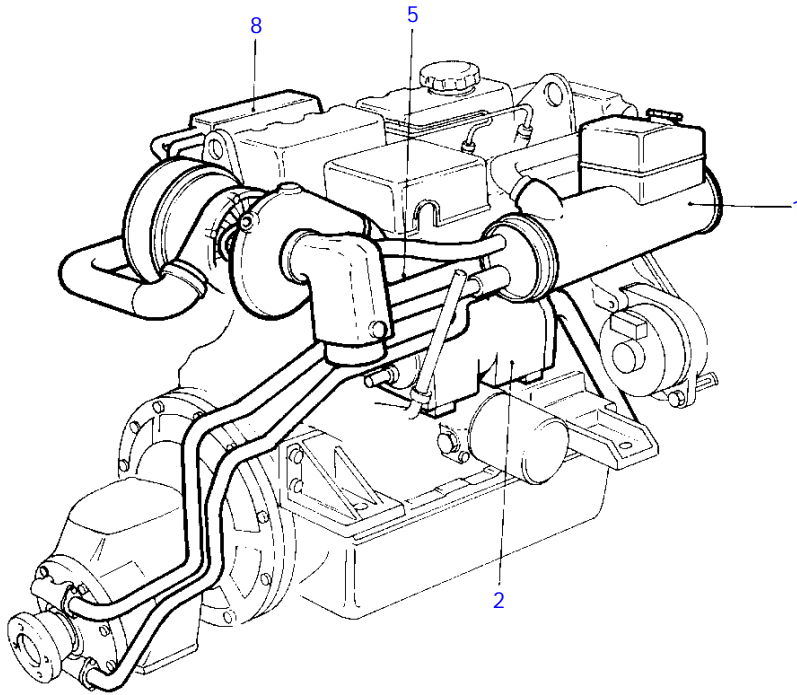
10237

TAMD31B

REF	QTY	DESCRIPTION	SEE SEC.
1	1	HEAT EXCHANGER WITH INSTALLATION COMPONENTS	19190
2	1	OIL COOLER WITH INSTALLATION COMPONENTS	19144
3	1	CIRCULATION PUMP WITH INSTALLATION COMPONENTS	19195
4	1	TURBO AND AIR FILTER WITH INSTALLATION COMPONENTS	19151
5	1	INDUCTION- AND EXHAUST MANIFOLD WITH INSTALLATION COMPONENTS	19159
6	1	THERMOSTAT HOUSING WITH INSTALLATION COMPONENTS	19168
7	1	SEA WATER PUMP WITH INSTALLATION COMPONENTS	19136
8	1	AFTER COOLER WITH INSTALLATION COMPONENTS	19165



TAMD31B

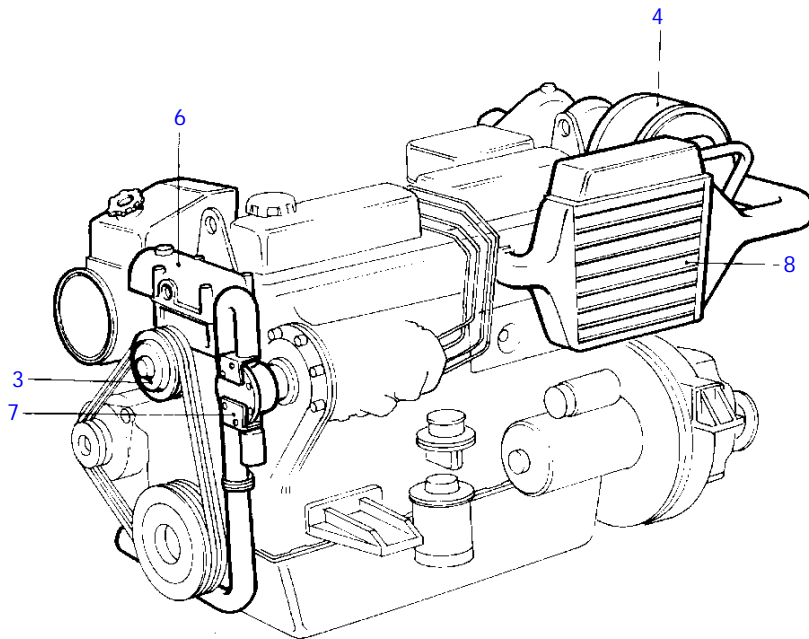
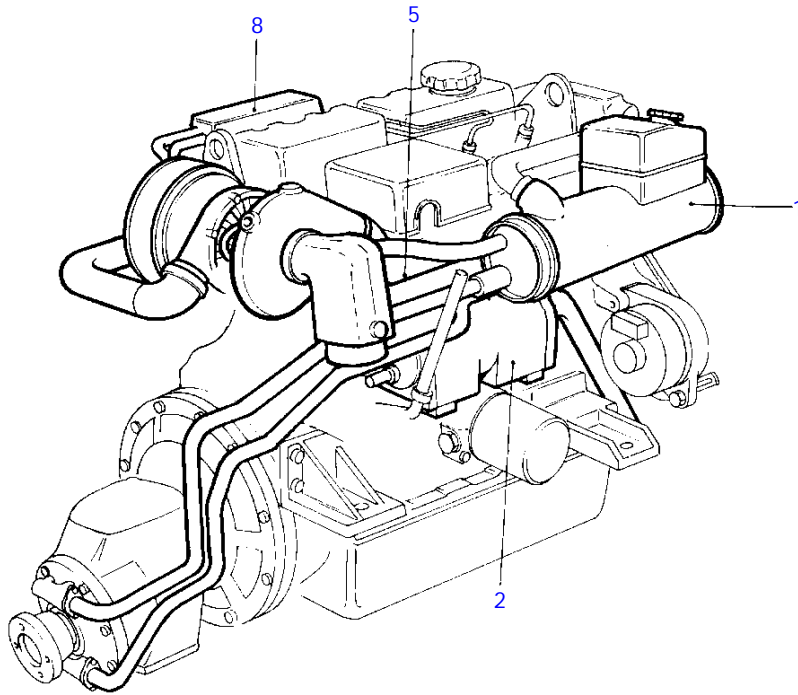


10238

TAMD31B

REF	QTY	DESCRIPTION	SEE SEC.
1	1	HEAT EXCHANGER WITH INSTALLATION COMPONENTS	19190
2	1	OIL COOLER WITH INSTALLATION COMPONENTS	19144
3	1	CIRCULATION PUMP WITH INSTALLATION COMPONENTS	19195
4	1	TURBO AND AIR FILTER WITH INSTALLATION COMPONENTS	19151
5	1	INDUCTION- AND EXHAUST MANIFOLD WITH INSTALLATION COMPONENTS	19159
6	1	THERMOSTAT HOUSING WITH INSTALLATION COMPONENTS	19168
7	1	SEA WATER PUMP WITH INSTALLATION COMPONENTS	19136
8	1	AFTER COOLER WITH INSTALLATION COMPONENTS	19165

TAMD31B

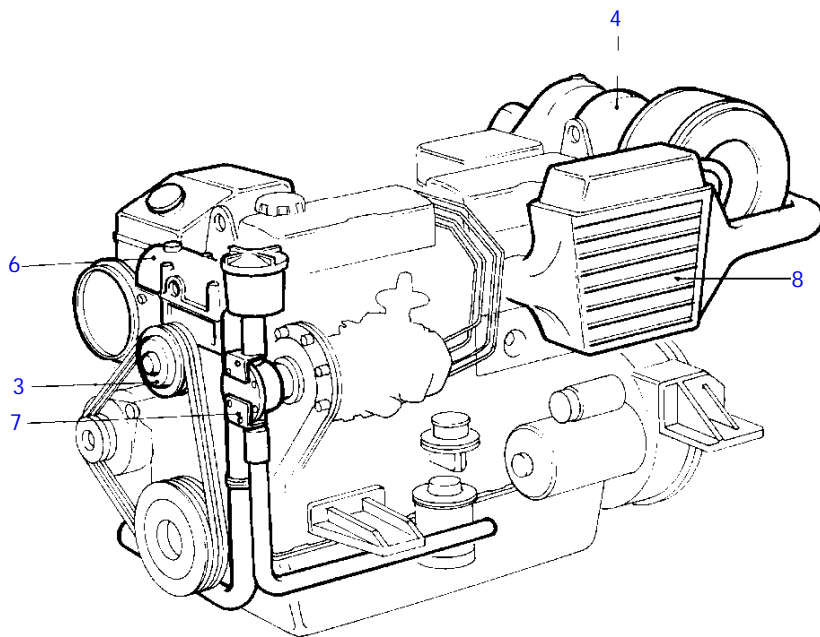
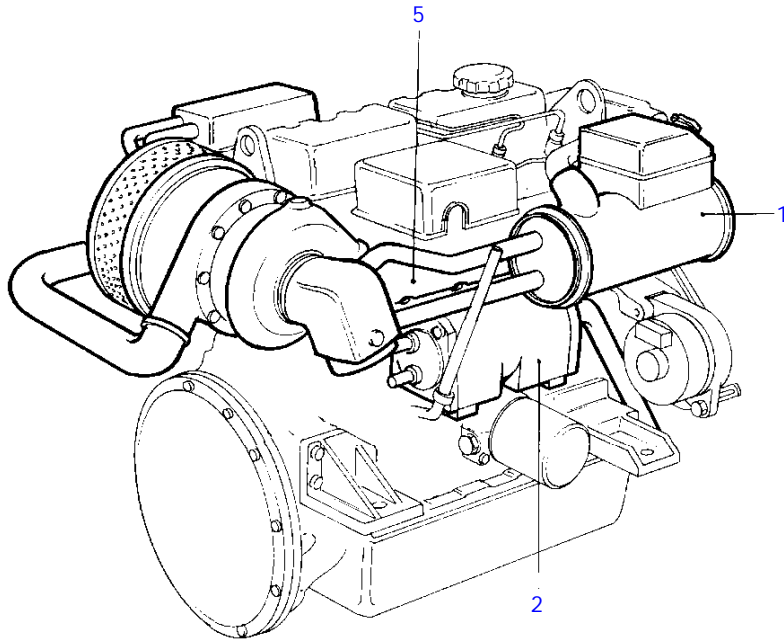


10238

TAMD31B

REF	QTY	DESCRIPTION	SEE SEC.
1	1	HEAT EXCHANGER WITH INSTALLATION COMPONENTS	19190
2	1	OIL COOLER WITH INSTALLATION COMPONENTS	19144
3	1	CIRCULATION PUMP WITH INSTALLATION COMPONENTS	19195
4	1	TURBO AND AIR FILTER WITH INSTALLATION COMPONENTS	19151
5	1	INDUCTION- AND EXHAUST MANIFOLD WITH INSTALLATION COMPONENTS	19159
6	1	THERMOSTAT HOUSING WITH INSTALLATION COMPONENTS	19168
7	1	SEA WATER PUMP WITH INSTALLATION COMPONENTS	19136
8	1	AFTER COOLER WITH INSTALLATION COMPONENTS	19165

AD31B



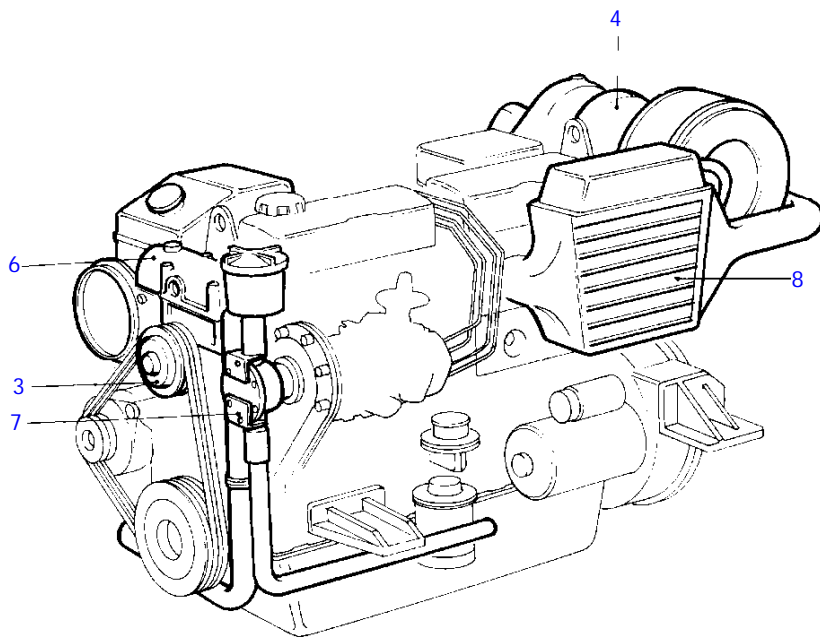
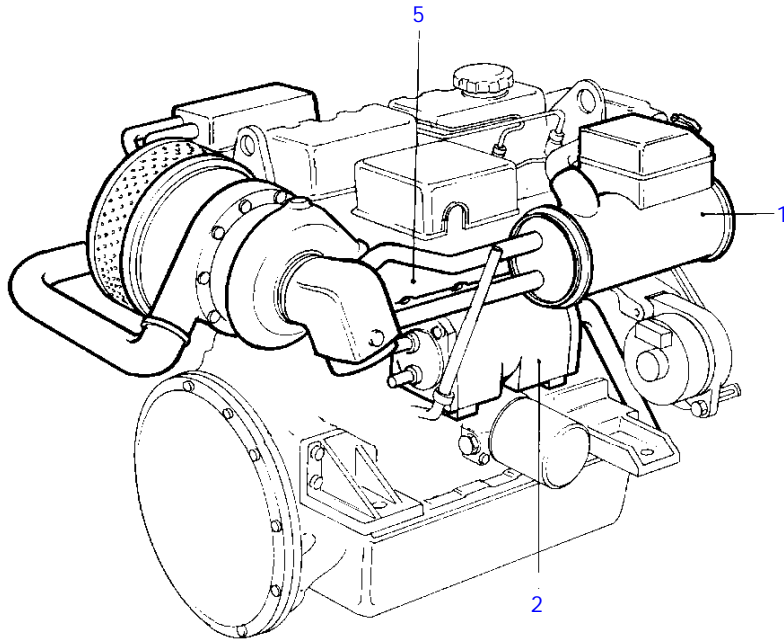
10239

AD31B

REF	QTY	DESCRIPTION	SEE SEC.
1	1	HEAT EXCHANGER WITH INSTALLATION COMPONENTS	19190
2	1	OIL COOLER WITH INSTALLATION COMPONENTS	19144
3	1	CIRCULATION PUMP WITH INSTALLATION COMPONENTS	19195
4	1	TURBO AND AIR FILTER WITH INSTALLATION COMPONENTS	19151
5	1	INDUCTION- AND EXHAUST MANIFOLD WITH INSTALLATION COMPONENTS	19159
6	1	THERMOSTAT HOUSING WITH INSTALLATION COMPONENTS	19168
7	1	SEA WATER PUMP WITH INSTALLATION COMPONENTS	19137
8	1	AFTER COOLER WITH INSTALLATION COMPONENTS	19165



AD31B



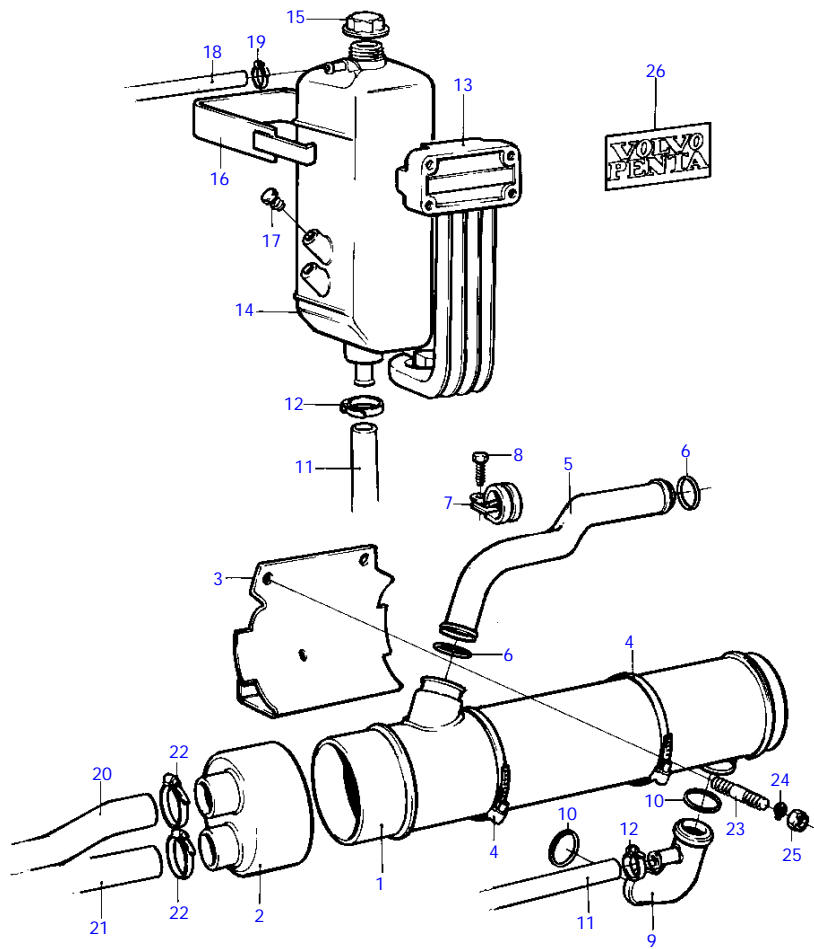
10239

AD31B

REF	QTY	DESCRIPTION	SEE SEC.
1	1	HEAT EXCHANGER WITH INSTALLATION COMPONENTS	19190
2	1	OIL COOLER WITH INSTALLATION COMPONENTS	19144
3	1	CIRCULATION PUMP WITH INSTALLATION COMPONENTS	19195
4	1	TURBO AND AIR FILTER WITH INSTALLATION COMPONENTS	19151
5	1	INDUCTION- AND EXHAUST MANIFOLD WITH INSTALLATION COMPONENTS	19159
6	1	THERMOSTAT HOUSING WITH INSTALLATION COMPONENTS	19168
7	1	SEA WATER PUMP WITH INSTALLATION COMPONENTS	19137
8	1	AFTER COOLER WITH INSTALLATION COMPONENTS	19165



MD31A

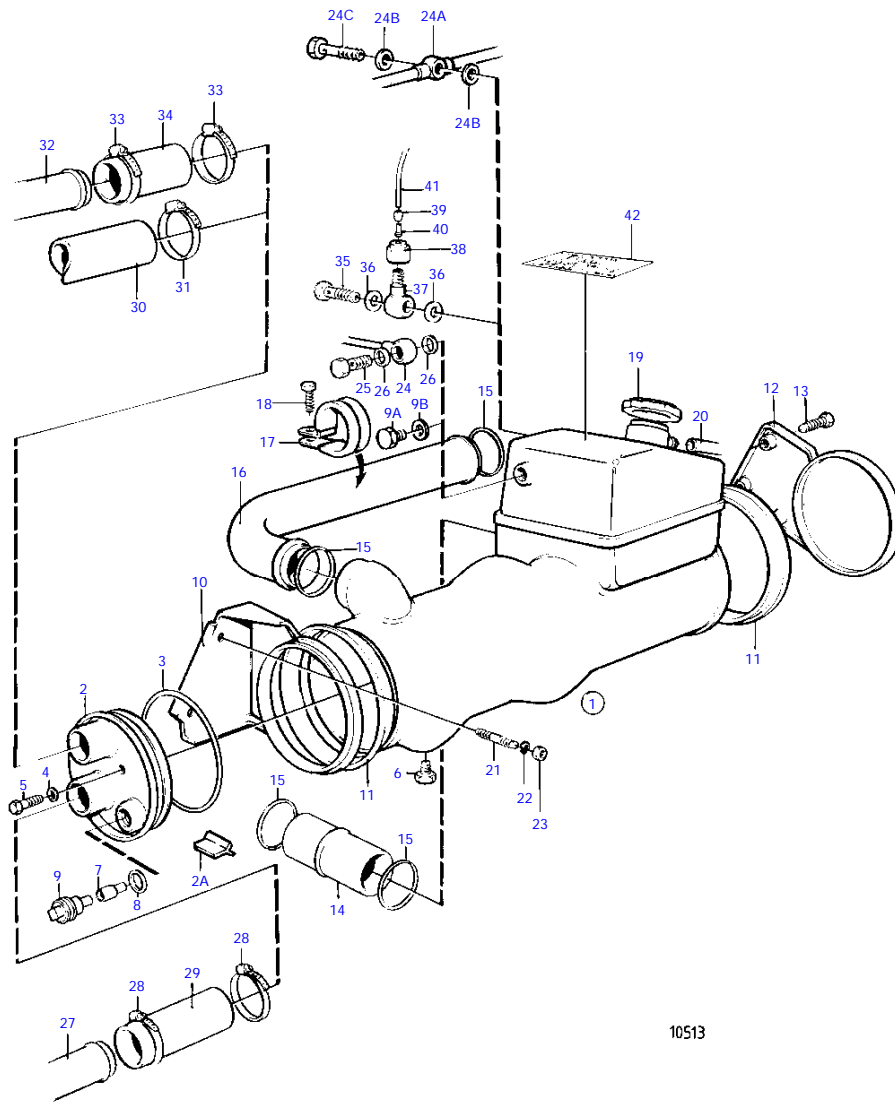


8510

MD31A

REF	PART NO.	QTY	DESCRIPTION	SEE SEC.	NOTES
1	838884	1	Heat exchanger		
2	838897	1	Cardboard tube		
3	858219	1	Bracket		OBSOLETE PART
4	943482	2	Hose clamp		
5	858217	1	Pipe		HEAT EXCHANGER-THERMOSTAT HOUSING.
6	968927	2	O-ring		
7	967645	1	Clamp		
8	946544	1	Flange screw		
9	858218	1	Pipe		HEAT EXCHANGER-CIRCULATION PUMP., OBSOLETE PART
10	968927	2	O-ring		
11	952969	1	Hose		L = 1940 MM
12	943472	2	Hose clamp		
13	843260	1	Bracket		
14	843759	1	Expansion tank		
15	844624	1	Pressure cap		
16	843266	1	Clamp		
17	947660	2	Plug		
18	943366	1	Rubber hose, HOSE		L = 2000 MM
				19166	
19	943470	1	Hose clamp		
20	858297	1	Coolant pipe		HEAT EXCHANGER-EXHAUST PIPE., PRODUCT NO.867959,868159
	858482	1	Coolant pipe		HEAT EXCHANGER-EXHAUST PIPE., PRODUCT NO.867956,868160
21	858298	1	Pipe		OIL COOLER-HEAT EXCHANGER., PRODUCT NO.867959,868159
	846082	1	Coolant pipe		OIL COOLER-REVERSE GEAR., SPEC.867956
22	943475	2	Hose clamp		
23	953003	1	Stud, STUD BOLT		L = 130 MM
				19153	
	953007	1	Stud		L = 150 MM
24	941908	2	Spring washer	19153	
25	971095	2	Flange nut		(945409)
26		1	Decal		REPLACED BY DECAL KIT 876234
	876234	1	Decal set		

TMD31A

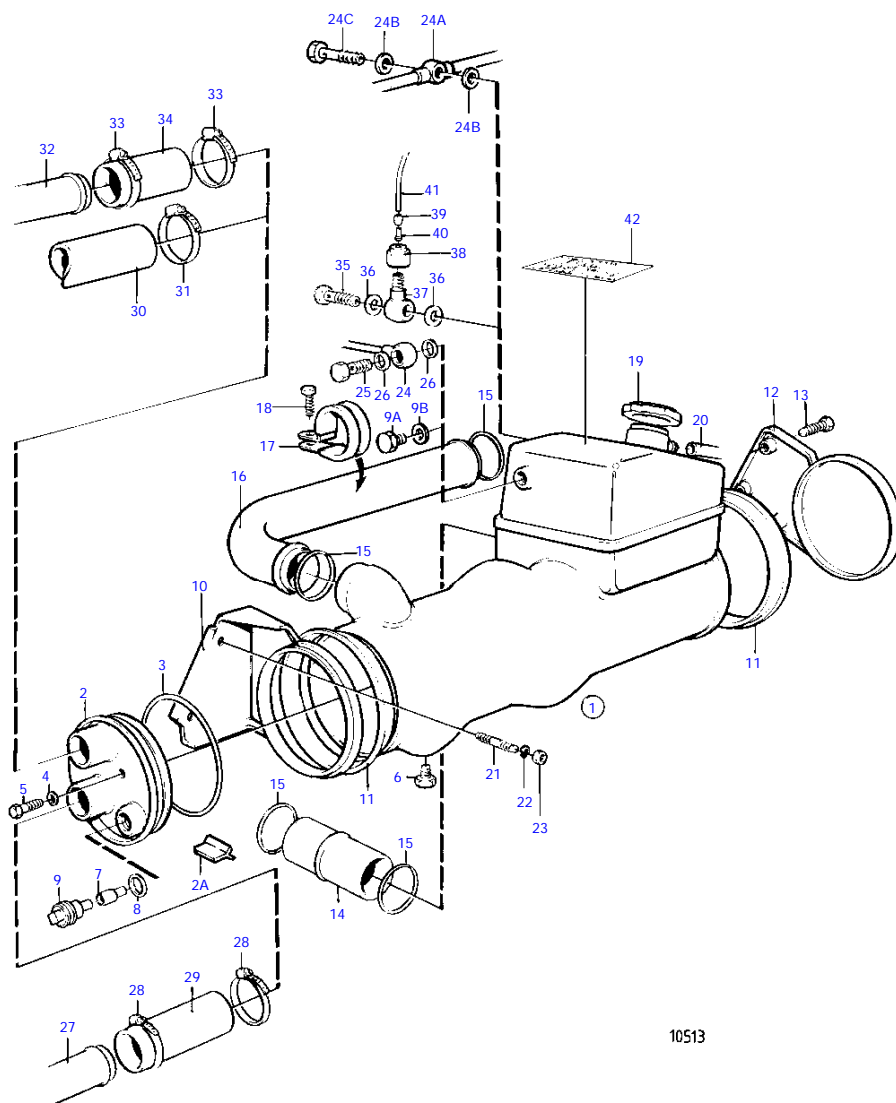


10513

TMD31A

REF	PART NO.	QTY	DESCRIPTION	SEE SEC.	NOTES
1	838701	1	Heat exchanger		REPLACED BY HEAT EXCHANGER 860275 AND AIR VENT HOSE 860229
			Bulletin 44-14	44-14-EN	Venting Pipe
1	860275	1	Heat exchanger		
2	860119	1	* Cardboard tube		(858752)
2A	860127	3	* Sealing strip		
3	925027	1	* O-ring		
4	964106	1	* Gasket		
5	963567	1	* Hexagon screw		
6	192134	1	* Plug		
7	838929	1	* Anode		
8	958227	1	* O-ring		
9	858754	1	* Anchorage		
9A	960629	1	* Plug		INCLUDED IN 860275
9B	11994	1	* Gasket		INCLUDED IN 860275
10	838729	1	Bracket		
11	838733	2	Adapter		
12	838728	1	Bracket		
13	965185	3	Flange screw		
14	838738	1	Tube		HEAT EXCHANGER-CIRCULATION PUMP.
15	968927	4	O-ring		
16	838797	1	Coolant pipe		HEAT EXCHANGER-THERMOSTAT HOUSING., OBSOLETE PART
17	967645	1	Clamp		
18	946544	1	Flange screw		
19	845879	1	Pressure cap		
20	192618	X	Hose		L = 700 MM
21	953003	1	Stud, STUD BOLT		L = 130 MM
				19154	
				19155	
	953007	1	Stud, STUD BOLT		L = 150 MM
				19154	
				19155	
22	941908	2	Spring washer		
23	971095	2	Flange nut		(945409)
24	838744	1	Tube	19148	
			Bulletin 44-14	44-14-EN	Venting Pipe
24					REPLACED BY AIR VENT HOSE 860229, 1EA PLUG 960629 AND 1EA GASKET 11994
24A	860229	1	Air vent hose		TURBO-HEAT EXCHANGER-THERMOSTAT HOUSING
24B	11994	2	Gasket		
24C	969299	1	Hollow screw		
25	969299	1	Hollow screw		(74040)
26	11994	2	Gasket		
27	838777	1	Coolant pipe		OIL COOLER-HEAT EXCHANGER., PRODUCT NO.867961
	860278	1	Coolant pipe		REVERSE GEAR-HEAT EXCHANGER., PRODUCT NO.867962,867963, (838818)
28	943475	2	Hose clamp		
29	944386	1	Rubber hose		
30	944386	1	Rubber hose		HEAT EXCHANGER-EXHAUST PIPE., FOR ENGINES WITH WET EXHAUST LINE
31	943475	1	Hose clamp		
35	969299	1	Hollow screw		(74040)
36	11994	2	Gasket		ONLY WHEN PIPE 838744 IS USED
37	945417	1	Banjo nipple		ONLY WHEN PIPE 838744 IS USED
38	954356	1	Fitting nut		ONLY WHEN PIPE 838744 IS USED
39	954364	1	Sleeve		ONLY WHEN PIPE 838744 IS USED
40	944717	1	Support sleeve		ONLY WHEN PIPE 838744 IS USED
41	945460	1	Tube		ONLY WHEN PIPE 838744 IS USED
42		1	Decal		REPLACED BY DECAL KIT 876234
	876234	1	Decal set		

TAMD31A

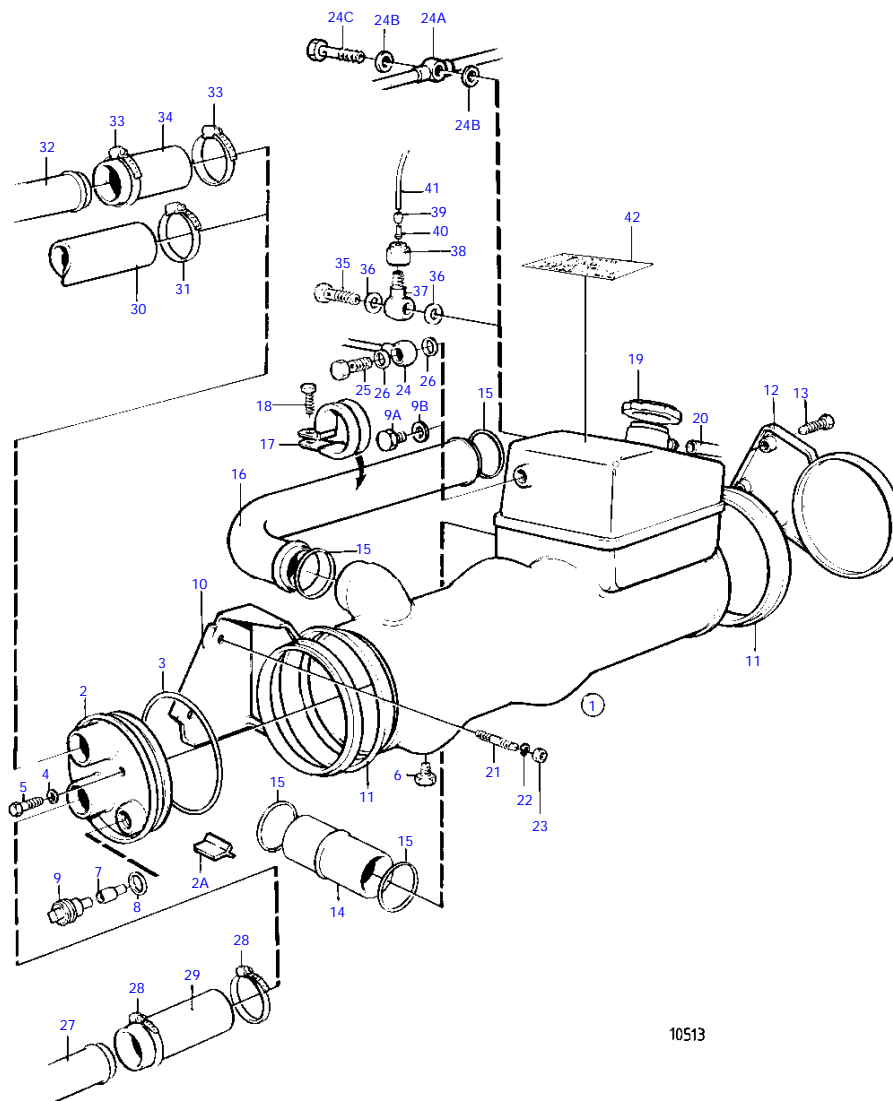


10513

TAMD31A

REF	PART NO.	QTY	DESCRIPTION	SEE SEC.	NOTES
1	838701	1	Heat exchanger		REPLACED BY HEAT EXCHANGER 860275 AND AIR VENT HOSE 860229
			Bulletin 44-14	44-14-EN	Venting Pipe
1	860275	1	Heat exchanger		
2	860119	1	* Cardboard tube		(858752)
2A	860127	3	* Sealing strip		
3	925027	1	* O-ring		
4	964106	1	* Gasket		
5	963567	1	* Hexagon screw		
6	192134	1	* Plug		
7	838929	1	* Anode		
8	958227	1	* O-ring		
9	858754	1	* Anchorage		
9A	960629	1	* Plug		INCLUDED IN 860275
9B	11994	1	* Gasket		INCLUDED IN 860275
10	838729	1	Bracket		
11	838733	2	Adapler		
12	838728	1	Bracket		
13	965185	3	Flange screw		
14	838738	1	Tube		HEAT EXCHANGER-CIRCULATION PUMP.
15	968927	4	O-ring		
16	838797	1	Coolant pipe		HEAT EXCHANGER-THERMOSTAT HOUSING., OBSOLETE PART
17	967645	1	Clamp		
18	946544	1	Flange screw		
19	845879	1	Pressure cap		
20	192618	X	Hose		L = 700 MM
21	953003	1	Stud, STUD BOLT		L = 130 MM
	953007	1	Stud, STUD BOLT		L = 150 MM
22	941908	2	Spring washer		
23	971095	2	Flange nut		(945409)
24	838744	1	Tube	19148	
			Bulletin 44-14	44-14-EN	Venting Pipe
24A	860229	1	Air vent hose		TURBO-HEAT EXCHANGER-THERMOSTAT HOUSING
24B	11994	2	Gasket		
24C	969299	1	Hollow screw		
25	969299	1	Hollow screw		(74040)
26	11994	2	Gasket		
27	860278	1	Coolant pipe		REVERSE GEAR-HEAT EXCHANGER., PRODUCT NO.867965,867966, (838818)
	838779	1	Coolant pipe		AFTER COOLER-HEAT EXCHANGER, PRODUCT NO.868321,868325,868327,868330,868331
28	943475	2	Hose clamp		
29	944386	1	Rubber hose		
30	944386	1	Rubber hose		HEAT EXCHANGER-EXHAUST PIPE., FOR ENGINES WITH WET EXHAUST LINE
	944386	1	Rubber hose		HEAT EXCHANGER-OUTLET, FOR ENGINES WITH DRY EXHAUST LINE
31	943475	1	Hose clamp		
35	969299	1	Hollow screw		(74040)
36	11994	2	Gasket		ONLY WHEN PIPE 838744 IS USED
37	945417	1	Banjo nipple		ONLY WHEN PIPE 838744 IS USED
38	954356	1	Fitting nut		ONLY WHEN PIPE 838744 IS USED
39	954364	1	Sleeve		ONLY WHEN PIPE 838744 IS USED
40	944717	1	Support sleeve		ONLY WHEN PIPE 838744 IS USED
41	945460	1	Tube		ONLY WHEN PIPE 838744 IS USED
42		1	Decal		REPLACED BY DECAL KIT 876234
	876234	1	Decal set		

AQAD31A

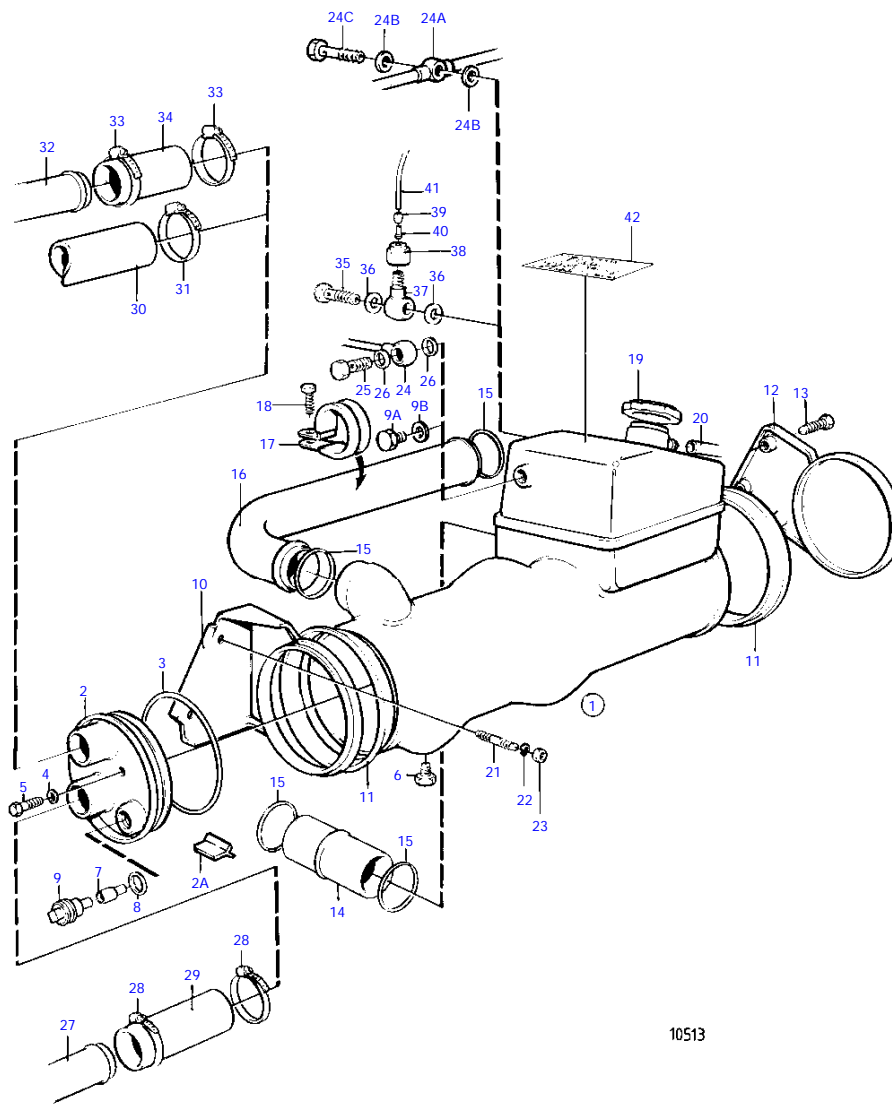


10513

AQAD31A

REF	PART NO.	QTY	DESCRIPTION	SEE SEC.	NOTES
1	838701	1	Heat exchanger		REPLACED BY HEAT EXCHANGER 860275 AND AIR VENT HOSE 860229
			Bulletin 44-14	44-14-EN	Venting Pipe
1	860275	1	Heat exchanger		
2	860119	1	* Cardboard tube		(858752)
2A	860127	3	* Sealing strip		
3	925027	1	* O-ring		
4	964106	1	* Gasket		
5	963567	1	* Hexagon screw		
6	192134	1	* Plug		
7	838929	1	* Anode		
8	958227	1	* O-ring		
9	858754	1	* Anchorage		
9A	960629	1	* Plug		INCLUDED IN 860275
9B	11994	1	* Gasket		INCLUDED IN 860275
10	838729	1	Bracket		
11	838733	2	Adapter		
12	838728	1	Bracket		
13	965185	3	Flange screw		
14	838738	1	Tube		HEAT EXCHANGER-CIRCULATION PUMP.
15	968927	4	O-ring		
16	838797	1	Coolant pipe		HEAT EXCHANGER-THERMOSTAT HOUSING., OBSOLETE PART
17	967645	1	Clamp		
18	946544	1	Flange screw		
19	845879	1	Pressure cap		
20	192618	X	Hose		L = 700 MM
21	953003	1	Stud, STUD BOLT		L = 130 MM
	953007	1	Stud, STUD BOLT		L = 150 MM
22	941908	2	Spring washer		
23	971095	2	Flange nut		(945409)
24	838744	1	Tube	19148	
			Bulletin 44-14	44-14-EN	Venting Pipe
24A	860229	1	Air vent hose		TURBO-HEAT EXCHANGER-THERMOSTAT HOUSING
24B	11994	2	Gasket		
24C	969299	1	Hollow screw		
25	969299	1	Hollow screw		(74040)
26	11994	2	Gasket		
27	838779	1	Coolant pipe		AFTER COOLER-HEAT EXCHANGER
28	943475	2	Hose clamp		
29	944386	1	Rubber hose		
32	838862	1	Coolant pipe		HEAT EXCHANGER-EXHAUST PIPE.
33	943475	2	Hose clamp		
34	944386	1	Rubber hose		
35	969299	1	Hollow screw		(74040)
36	11994	2	Gasket		ONLY WHEN PIPE 838744 IS USED
37	945417	1	Banjo nipple		ONLY WHEN PIPE 838744 IS USED
38	954356	1	Fitting nut		ONLY WHEN PIPE 838744 IS USED
39	954364	1	Sleeve		ONLY WHEN PIPE 838744 IS USED
40	944717	1	Support sleeve		ONLY WHEN PIPE 838744 IS USED
41	945460	1	Tube		ONLY WHEN PIPE 838744 IS USED
42		1	Decal		REPLACED BY DECAL KIT 876234
	876234	1	Decal set		

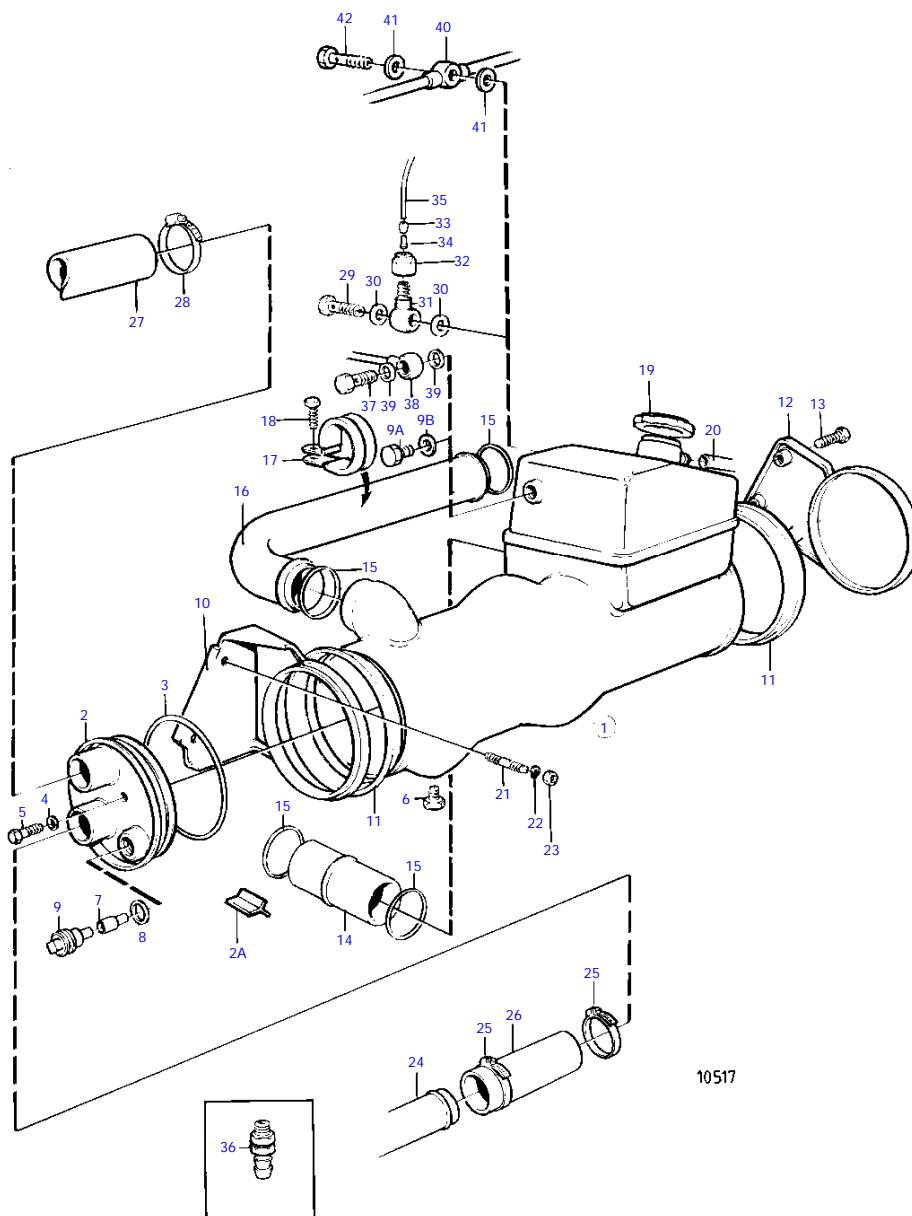
AD31A



10513

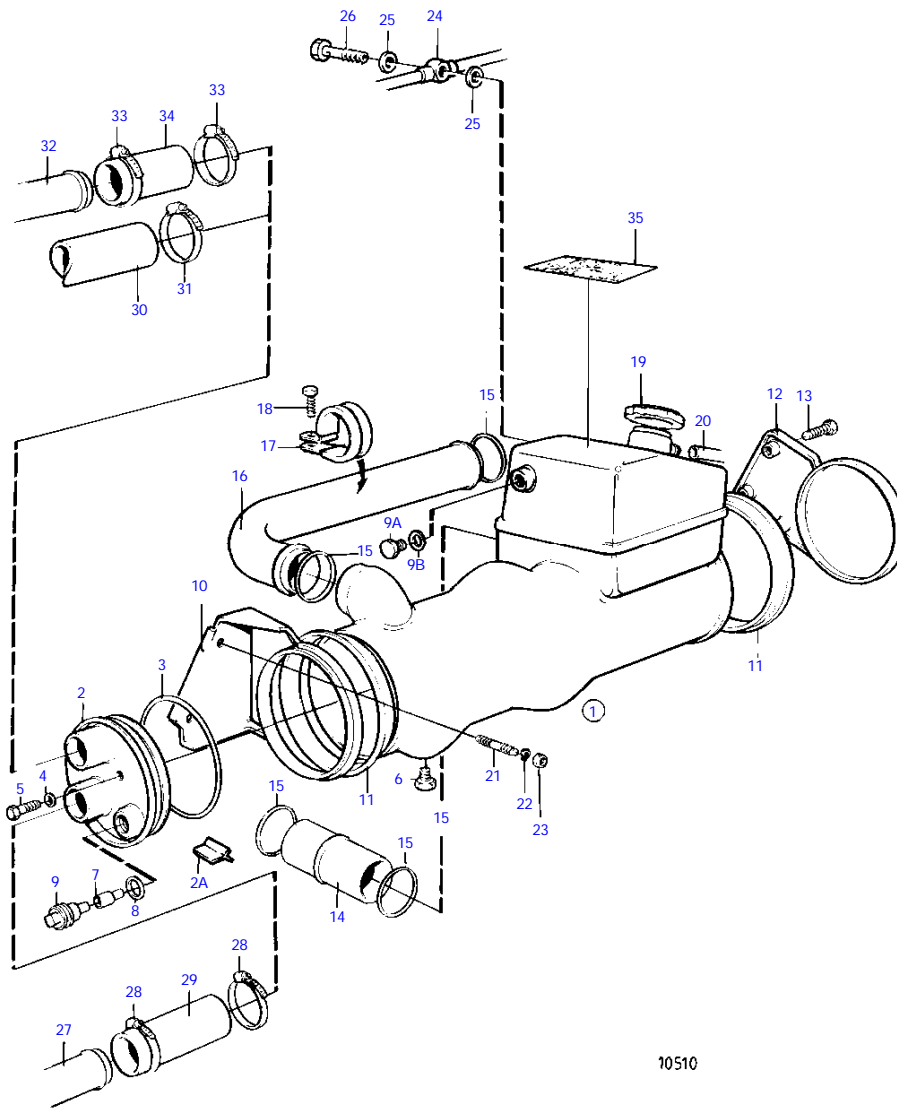
AD31A

REF	PART NO.	QTY	DESCRIPTION	SEE SEC.	NOTES
1	838701	1	Heat exchanger		REPLACED BY HEAT EXCHANGER 860275 AND AIR VENT HOSE 860229
			Bulletin 44-14	44-14-EN	Venting Pipe
1	860275	1	Heat exchanger		
2	860119	1	* Cardboard tube		(858752)
2A	860127	3	* Sealing strip		
3	925027	1	* O-ring		
4	964106	1	* Gasket		
5	963567	1	* Hexagon screw		
6	192134	1	* Plug		
7	838929	1	* Anode		
8	958227	1	* O-ring		
9	858754	1	* Anchorage		
9A	960629	1	* Plug		INCLUDED IN 860275
9B	11994	1	* Gasket		INCLUDED IN 860275
10	838729	1	Bracket		
11	838733	2	Adapler		
12	838728	1	Bracket		
13	965185	3	Flange screw		
14	838738	1	Tube		HEAT EXCHANGER-CIRCULATION PUMP.
15	968927	4	O-ring		
16	838797	1	Coolant pipe		HEAT EXCHANGER-THERMOSTAT HOUSING., OBSOLETE PART
17	967645	1	Clamp		
18	946544	1	Flange screw		
19	845879	1	Pressure cap		
20	192618	X	Hose		L = 700 MM
21	953003	1	Stud, STUD BOLT		L = 130 MM
	953007	1	Stud, STUD BOLT		L = 150 MM
22	941908	2	Spring washer		
23	971095	2	Flange nut		(945409)
24	838744	1	Tube	19148	
			Bulletin 44-14	44-14-EN	Venting Pipe
24A	860229	1	Air vent hose		TURBO-HEAT EXCHANGER-THERMOSTAT HOUSING
24B	11994	2	Gasket		
24C	969299	1	Hollow screw		
25	969299	1	Hollow screw		(74040)
26	11994	2	Gasket		
27	838779	1	Coolant pipe		AFTER COOLER-HEAT EXCHANGER
28	943475	2	Hose clamp		
29	944386	1	Rubber hose		
32	838862	1	Coolant pipe		HEAT EXCHANGER-EXHAUST PIPE.
33	943475	2	Hose clamp		
34	944386	1	Rubber hose		
35	969299	1	Hollow screw		(74040)
36	11994	2	Gasket		ONLY WHEN PIPE 838744 IS USED
37	945417	1	Banjo nipple		ONLY WHEN PIPE 838744 IS USED
38	954356	1	Fitting nut		ONLY WHEN PIPE 838744 IS USED
39	954364	1	Sleeve		ONLY WHEN PIPE 838744 IS USED
40	944717	1	Support sleeve		ONLY WHEN PIPE 838744 IS USED
41	945460	1	Tube		ONLY WHEN PIPE 838744 IS USED
42		1	Decal		REPLACED BY DECAL KIT 876234
	876234	1	Decal set		



REF	PART NO.	QTY	DESCRIPTION	SEE SEC.	NOTES
1	838701	1	Heat exchanger		REPLACED BY HEAT EXCHANGER 860275 AND AIR VENT HOSE 860229
			Bulletin 44-14	44-14-EN	Venting Pipe
1	860275	1	Heat exchanger		
2	860119	1	* Cardboard tube		(858752)
2A	860127	3	* Sealing strip		
3	925027	1	* O-ring		
4	964106	1	* Gasket		
5	963567	1	* Hexagon screw		
6	192134	1	* Plug		
7	838929	1	* Anode		
8	958227	1	* O-ring		
9	858754	1	* Anchorage		
9A	960629	1	* Plug		INCLUDED IN 860275
9B	11994	1	* Gasket		INCLUDED IN 860275
10	838729	1	Bracket		
11	838733	2	Adapter		
12	838728	1	Bracket		
13	965185	3	Flange screw		
14	838738	1	Tube		HEAT EXCHANGER-CIRCULATION PUMP.
15	968927	4	O-ring		
16	838797	1	Coolant pipe		HEAT EXCHANGER-THERMOSTAT HOUSING., OBSOLETE PART
17	967645	1	Clamp		
18	946544	1	Flange screw		
19	845879	1	Pressure cap		
20	192618	X	Hose		L = 700 MM
21	953003	1	Stud, STUD BOLT		L = 130 MM
				19157	
	953007	1	Stud, STUD BOLT		L = 150 MM
				19157	
22	941908	2	Spring washer		
23	971095	2	Flange nut		(945409)
24	838779	1	Coolant pipe		AFTER COOLER-HEAT EXCHANGER
25	943475	2	Hose clamp		
26	944386	1	Rubber hose		L = 60 MM
27	944386	1	Rubber hose		HEAT EXCHANGER-EXHAUST PIPE., L = 335 MM
28	943475	1	Hose clamp		
29	969299	1	Hollow screw		(74040)
30	11994	2	Gasket		
31	945417	1	Banjo nipple		ONLY WHEN PIPE 838744 IS USED
32	954356	1	Fitting nut		ONLY WHEN PIPE 838744 IS USED
33	954364	1	Sleeve		ONLY WHEN PIPE 838744 IS USED
34	944717	1	Support sleeve		ONLY WHEN PIPE 838744 IS USED
35	945460	1	Tube		ONLY WHEN PIPE 838744 IS USED
36	949918	1	Shut-off cock		
37	969299	1	Hollow screw		(74040)
38	838744	1	Tube		REPLACED BY AIR VENT HOSE 860229, 1EA PLUG 960629 AND 1EA GASKET 11994, *
			Bulletin 44-14	44-14-EN	Venting Pipe
38				19150	
39	11994	2	Gasket		
40	860229	1	Air vent hose		TURBO-HEAT EXCHANGER-THERMOSTAT HOUSING
41	11994	2	Gasket		
42	969299	1	Hollow screw		

TMD31B

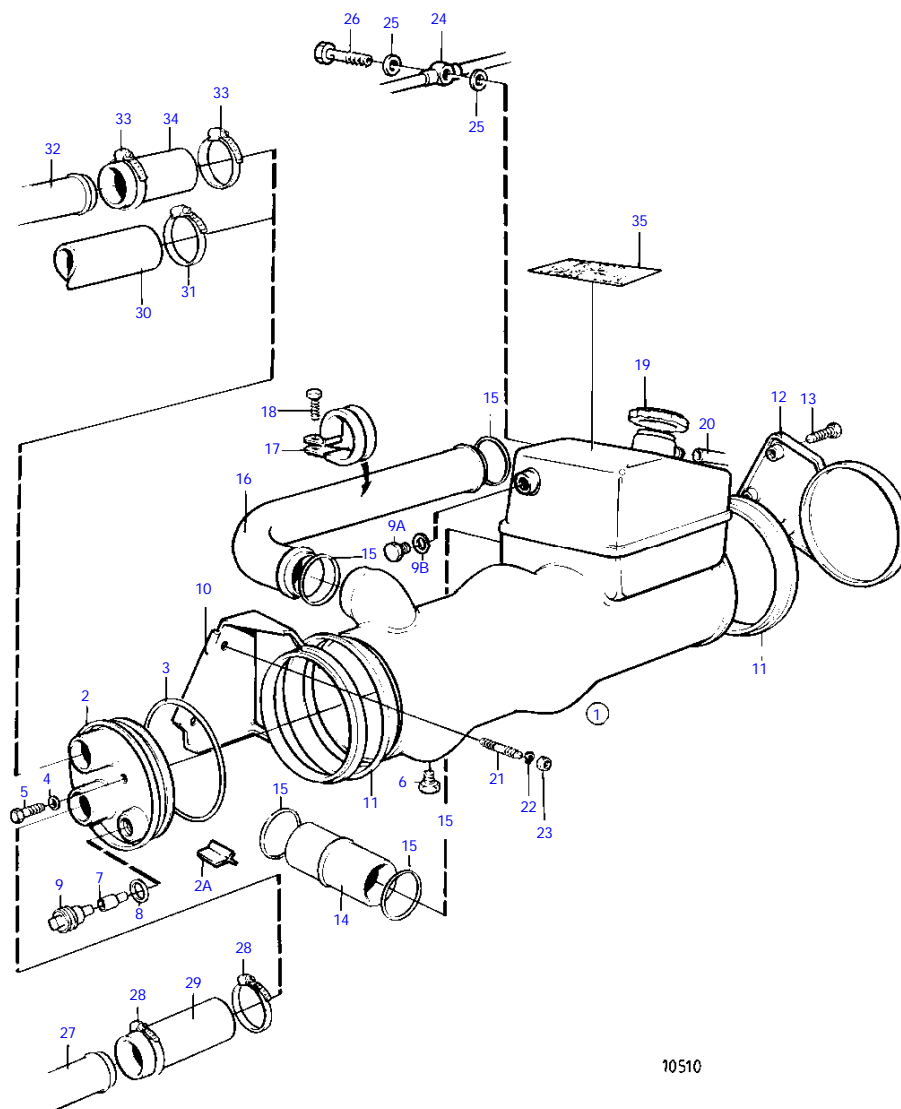


10510

TMD31B

REF	PART NO.	QTY	DESCRIPTION	SEE SEC.	NOTES
1	860275	1	Heat exchanger		
2	860119	1	* Cardboard tube		
2A	860127	3	* Sealing strip		
3	925027	1	* O-ring		
4	964106	1	* Gasket		
5	963567	1	* Hexagon screw		
6	192134	1	* Plug		
7	838929	1	* Anode		
8	958227	1	* O-ring		
9	858754	1	* Anchorage		
9A	960629	1	* Plug		
9B	11994	1	* Gasket		
10	838729	1	Bracket		
11	838733	2	Adapter		
12	838728	1	Bracket		
13	965185	3	Flange screw		
14	838738	1	Tube		HEAT EXCHANGER-CIRCULATION PUMP.
15	968927	4	O-ring		
16	838797	1	Coolant pipe		HEAT EXCHANGER-THERMOSTAT HOUSING., OBSOLETE PART
17	967645	1	Clamp		
18	946544	1	Flange screw		
19	845879	1	Pressure cap		
20	192618	X	Hose		L = 700 MM
21	953003	1	Stud		L = 130 MM
				19158	
				19159	
	953007	1	Stud		L = 150 MM
				19158	
				19159	
22	941908	2	Spring washer		
23	971095	2	Flange nut		
24	860229	1	Air vent hose		TURBO-HEAT EXCHANGER-THERMOSTAT HOUSING
25	11994	2	Gasket		
26	969299	1	Hollow screw		
27	838777	1	Coolant pipe		OIL COOLER-HEAT EXCHANGER., PRODUCT NO.868179,868285
	860278	1	Coolant pipe		REVERSE GEAR-HEAT EXCHANGER., PRODUCT NO.868180,868181
28	943475	2	Hose clamp		
29	944386	1	Rubber hose		
30	944386	1	Rubber hose		
31	943475	1	Hose clamp		
35		1	Decal		REPLACED BY DECAL KIT 876234
	876234	1	Decal set		

TAMD31B

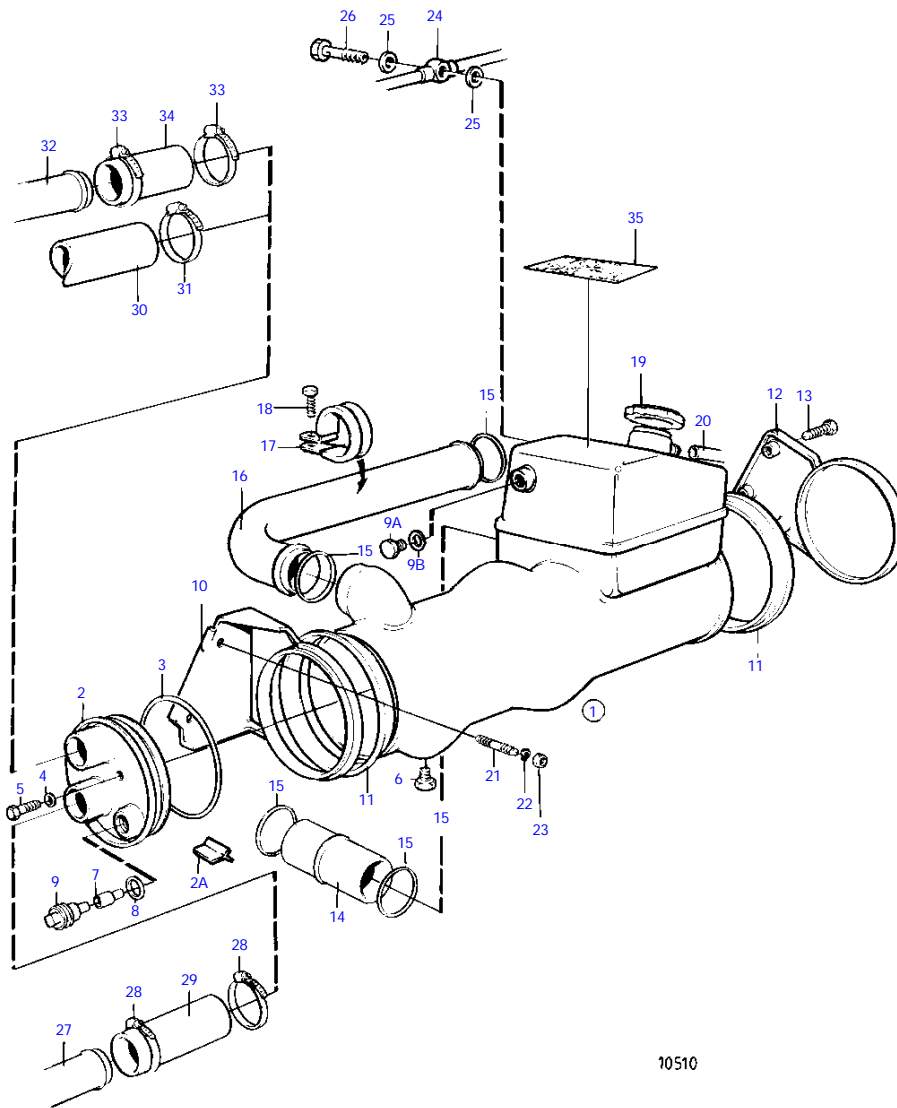


10510

TAMD31B

REF	PART NO.	QTY	DESCRIPTION	NOTES
1	860275	1	Heat exchanger	
2	860119	1	* Cardboard tube	
2A	860127	3	* Sealing strip	
3	925027	1	* O-ring	
4	964106	1	* Gasket	
5	963567	1	* Hexagon screw	
6	192134	1	* Plug	
7	838929	1	* Anode	
8	958227	1	* O-ring	
9	858754	1	* Anchorage	
9A	960629	1	* Plug	
9B	11994	1	* Gasket	
10	838729	1	Bracket	
11	838733	2	Adapter	
12	838728	1	Bracket	
13	965185	3	Flange screw	
14	838738	1	Tube	HEAT EXCHANGER-CIRCULATION PUMP.
15	968927	4	O-ring	
16	838797	1	Coolant pipe	HEAT EXCHANGER-THERMOSTAT HOUSING., OBSOLETE PART
17	967645	1	Clamp	
18	946544	1	Flange screw	
19	845879	1	Pressure cap	
20	192618	X	Hose	L = 700 MM
21	953003	1	Stud	L = 130 MM
	953007	1	Stud	L = 150 MM
22	941908	2	Spring washer	
23	971095	2	Flange nut	
24	860229	1	Air vent hose	TURBO-HEAT EXCHANGER-THERMOSTAT HOUSING
25	11994	2	Gasket	
26	969299	1	Hollow screw	
27	860278	1	Coolant pipe	REVERSE GEAR-HEAT EXCHANGER., PRODUCT NO.868182,868183
	838779	1	Coolant pipe	AFTER COOLER-HEAT EXCHANGER, PRODUCT NO.868332,868438
28	943475	2	Hose clamp	
29	944386	1	Rubber hose	
30	944386	1	Rubber hose	
31	943475	1	Hose clamp	
35		1	Decal	REPLACED BY DECAL KIT 876234
	876234	1	Decal set	

AD31B

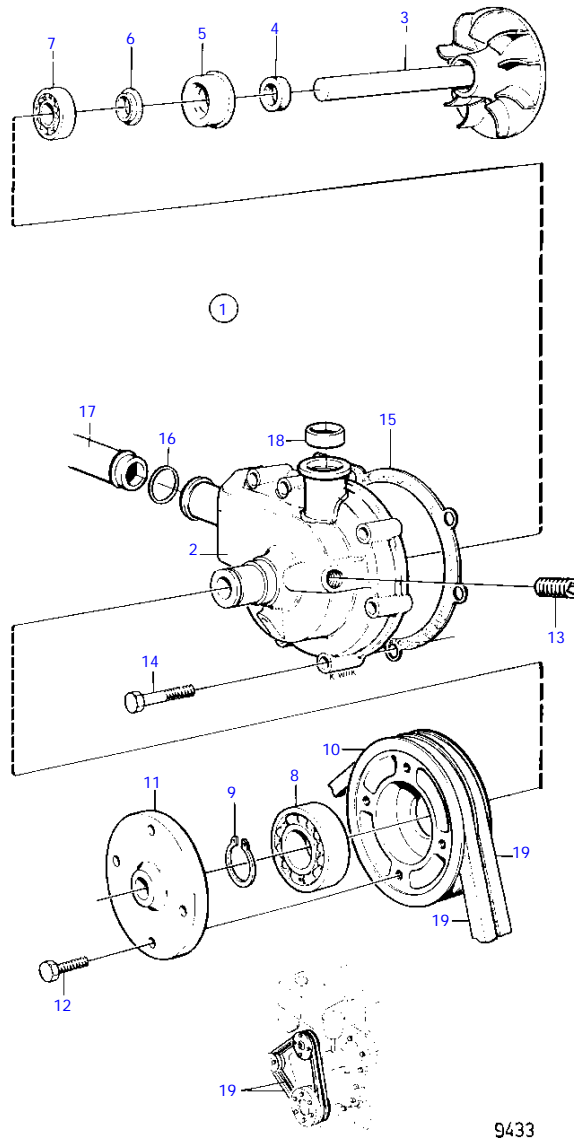


10510

AD31B

REF	PART NO.	QTY	DESCRIPTION	NOTES
1	860275	1	Heat exchanger	
2	860119	1	* Cardboard tube	
2A	860127	3	* Sealing strip	
3	925027	1	* O-ring	
4	964106	1	* Gasket	
5	963567	1	* Hexagon screw	
6	192134	1	* Plug	
7	838929	1	* Anode	
8	958227	1	* O-ring	
9	858754	1	* Anchorage	
9A	960629	1	* Plug	
9B	11994	1	* Gasket	
10	838729	1	Bracket	
11	838733	2	Adapter	
12	838728	1	Bracket	
13	965185	3	Flange screw	
14	838738	1	Tube	HEAT EXCHANGER-CIRCULATION PUMP.
15	968927	4	O-ring	
16	838797	1	Coolant pipe	HEAT EXCHANGER-THERMOSTAT HOUSING., OBSOLETE PART
17	967645	1	Clamp	
18	946544	1	Flange screw	
19	845879	1	Pressure cap	
20	192618	X	Hose	L = 700 MM
21	953003	1	Stud	L = 130 MM
	953007	1	Stud	L = 150 MM
22	941908	2	Spring washer	
23	971095	2	Flange nut	
24	860229	1	Air vent hose	TURBO-HEAT EXCHANGER-THERMOSTAT HOUSING
25	11994	2	Gasket	
26	969299	1	Hollow screw	
27	838779	1	Coolant pipe	AFTER COOLER-HEAT EXCHANGER
28	943475	2	Hose clamp	
29	944386	1	Rubber hose	
32	838862	1	Coolant pipe	
33	943475	2	Hose clamp	
34	944386	1	Rubber hose	
35		1	Decal	REPLACED BY DECAL KIT 876234
	876234	1	Decal set	

MD31A

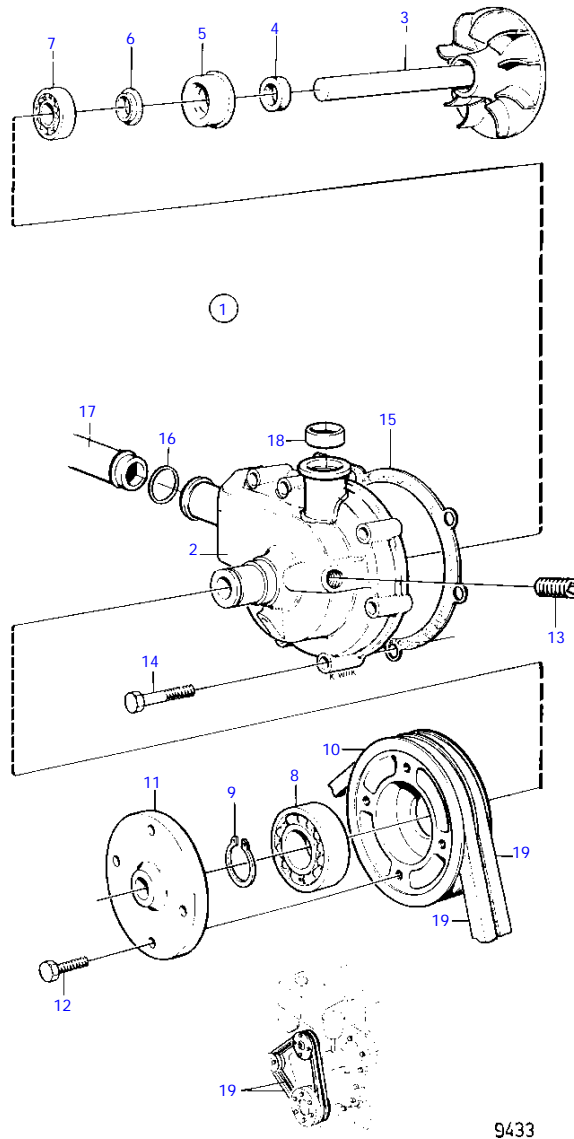


MD31A

REF	PART NO.	QTY	DESCRIPTION	SEE SEC.	NOTES
1	858485	1	Water pump		SN-2203105173 REPL BY 859126
2		1	* HOUSING		
3		1	* SHAFT		
4	421306	1	* Wear ring		
5	1545283	1	* Sealing ring		
6	70913	1	* Deflector		
7	1660609	1	* Ball bearing		
8	181538	1	* Ball bearing		
9	914462	1	* Snap ring		
10	1542235	1	* Pulley		
11	1542236	1	* Hub		
12	946173	4	* Flange screw		
13	876087	X	Repair kit		SEE GROUP 10A
14	947760	6	Flange screw		
15	859027	1	Gasket		(1542229)
16	968927	1	O-ring		
17	858218	1	Pipe		HEAT EXCHANGER-CIRCULATION PUMP., OBSOLETE PART
18	1542198	1	Sealing ring		
				19166	
19		X	DRIVE BELT		SEE GROUP 3



MD31A

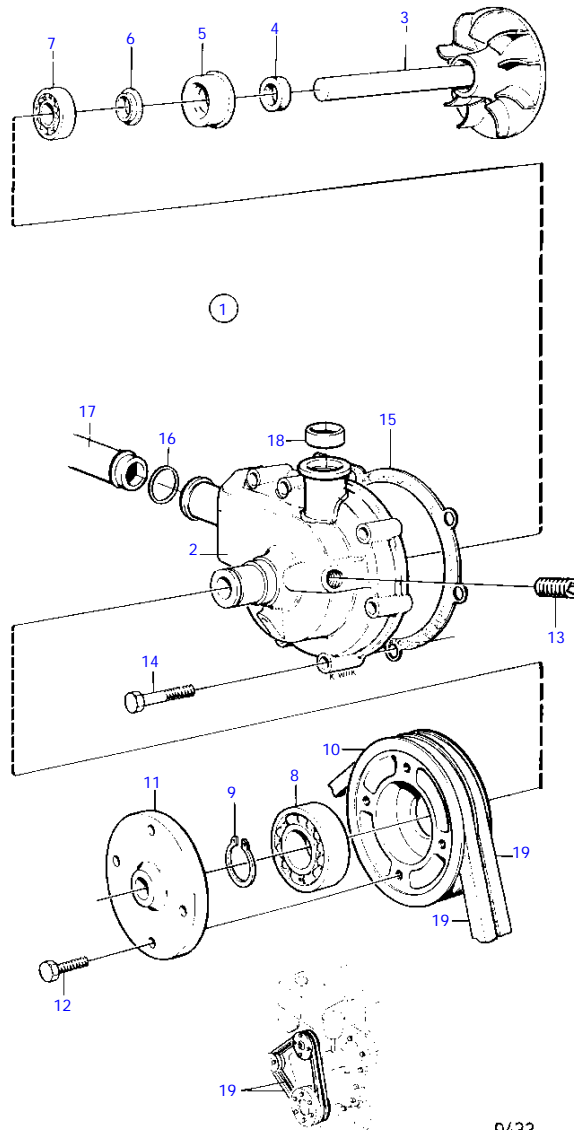


MD31A

REF	PART NO.	QTY	DESCRIPTION	SEE SEC.	NOTES
1	859126	1	Water pump		SN2203105174-
2		1	• HOUSING		
3		1	• SHAFT		
4	421306	1	• Wear ring		
5	1545283	1	• Sealing ring		
6	70913	1	• Deflector		
7	1660609	1	• Ball bearing		
8	181538	1	• Ball bearing		
9	914462	1	• Snap ring		
10	1542235	1	• Pulley		
11	1542236	1	• Hub		
12	946173	4	• Flange screw		
13	952077	1	• Plug		
	876087	X	Repair kit		SEE GROUP 10A
14	947760	6	Flange screw		
15	859027	1	Gasket		(1542229)
16	968927	1	O-ring		
17	858218	1	Pipe		HEAT EXCHANGER-CIRCULATION PUMP., OBSOLETE PART
18	1542198	1	Sealing ring		
				19166	
19		X	DRIVE BELT		SEE GROUP 3



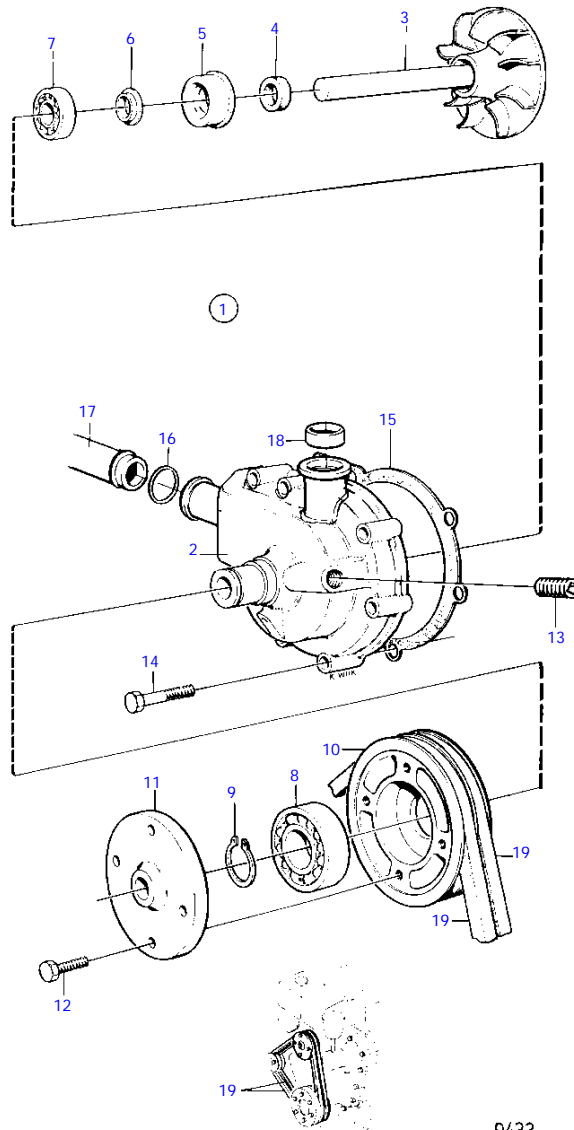
TMD31A, TAMD31A, AQAD31A, AD31A



TMD31A, TAMD31A, AQAD31A, AD31A

REF	PART NO.	QTY	DESCRIPTION	SEE SEC.	NOTES
1	838698	1	Water pump		SN-2203105173 REPL BY 859128
2		1	* HOUSING		
3		1	* SHAFT		
4	421306	1	* Wear ring		
5	1545283	1	* Sealing ring		
6	70913	1	* Deflector		
7	1660609	1	* Ball bearing		
8	181538	1	* Ball bearing		
9	914462	1	* Snap ring		
10	1542235	1	* Pulley		
11	1542236	1	* Hub		
12	946173	4	* Flange screw		
13	875735	X	Repair kit		SEE GROUP 10A
14	947760	6	Flange screw		
15	859027	1	Gasket		(1542229)
16	968927	1	O-ring		
17	838738	1	Tube		HEAT EXCHANGER-CIRCULATION PUMP.
18	1542198	1	Sealing ring	19167	
19		X	DRIVE BELT		SEE GROUP 3

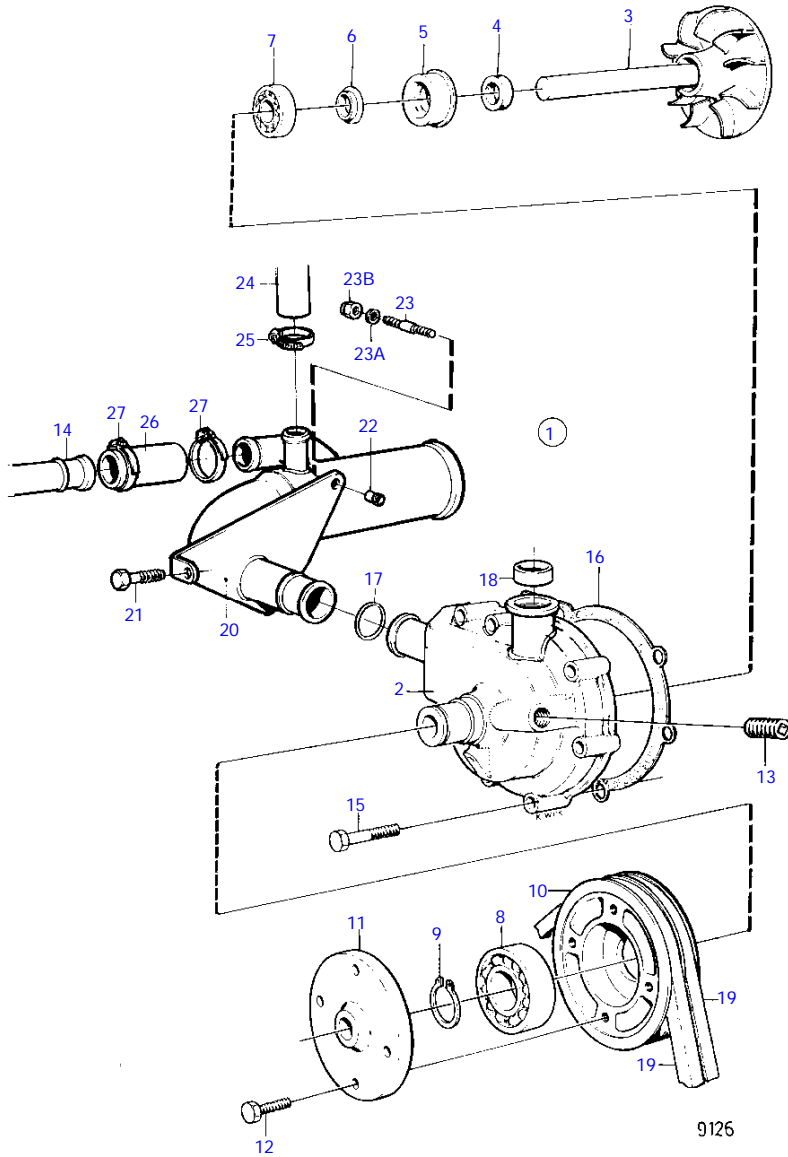
TMD31A, TAMD31A, AQAD31A, AD31A



TMD31A, TAMD31A, AQAD31A, AD31A

REF	PART NO.	QTY	DESCRIPTION	SEE SEC.	NOTES
1	859128	1	Water pump		SN2203105174-
2		1	• HOUSING		
3		1	• SHAFT		
4	421306	1	• Wear ring		
5	1545283	1	• Sealing ring		
6	70913	1	• Deflector		
7	1660609	1	• Ball bearing		
8	181538	1	• Ball bearing		
9	914462	1	• Snap ring		
10	1542235	1	• Pulley		
11	1542236	1	• Hub		
12	946173	4	• Flange screw		
13	952077	1	• Plug		
	875735	X	Repair kit		SEE GROUP 10A
14	947760	6	Flange screw		
15	859027	1	Gasket		(1542229)
16	968927	1	O-ring		
17	838738	1	Tube		HEAT EXCHANGER-CIRCULATION PUMP.
18	1542198	1	Sealing ring	19167	
19		X	DRIVE BELT		SEE GROUP 3

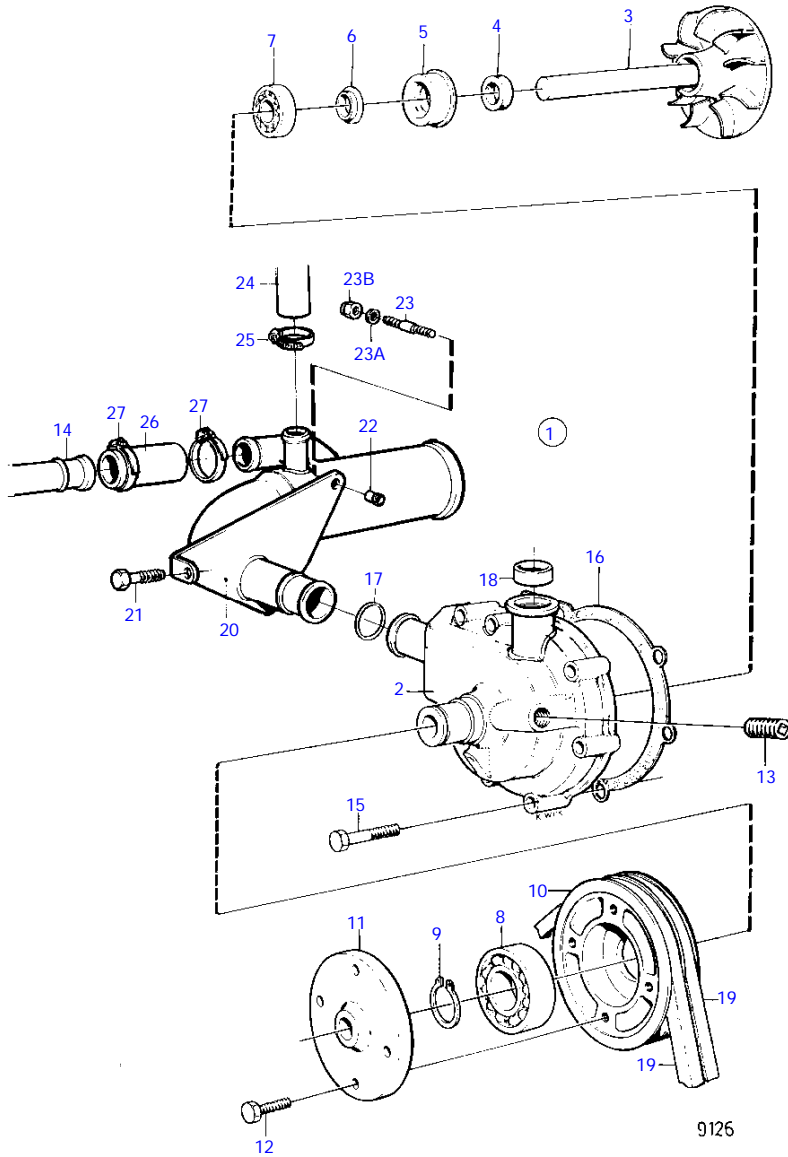
TAMD31A



TAMD31A

REF	PART NO.	QTY	DESCRIPTION	SEE SEC.	NOTES
1	838698	1	Water pump		SN-2203105173 REPL BY 859128
2		1	• HOUSING		
3		1	• SHAFT		
4	421306	1	• Wear ring		
5	1545283	1	• Sealing ring		
6	70913	1	• Deflector		
7	1660609	1	• Ball bearing		
8	181538	1	• Ball bearing		
9	914462	1	• Snap ring		
10	1542235	1	• Pulley		
11	1542236	1	• Hub		
12	946173	4	• Flange screw		
13	875735	X	Repair kit		SEE GROUP 10A
14	858522	1	Coolant pipe		INLET-WATER PUMP, OBSOLETE PART
15	947760	6	Flange screw		
16	859027	1	Gasket		
17	925067	2	O-ring		
18	1542198	1	Sealing ring	19169	
19		X	DRIVE BELT		SEE GROUP 3
20	858520	1	Coolant pipe		
21	946670	1	Flange screw		
22	820917	1	Spacer sleeve		
23	953001	1	Stud		
23A	941907	1	Spring washer		
23B	971095	1	Flange nut		(945409)
24	952969	X	Hose		EXPANSION TANK-INLET, L = 1940 MM
25	943472	1	Hose clamp		
26	944386	X	Rubber hose		L = 90 MM
27	943475	2	Hose clamp		

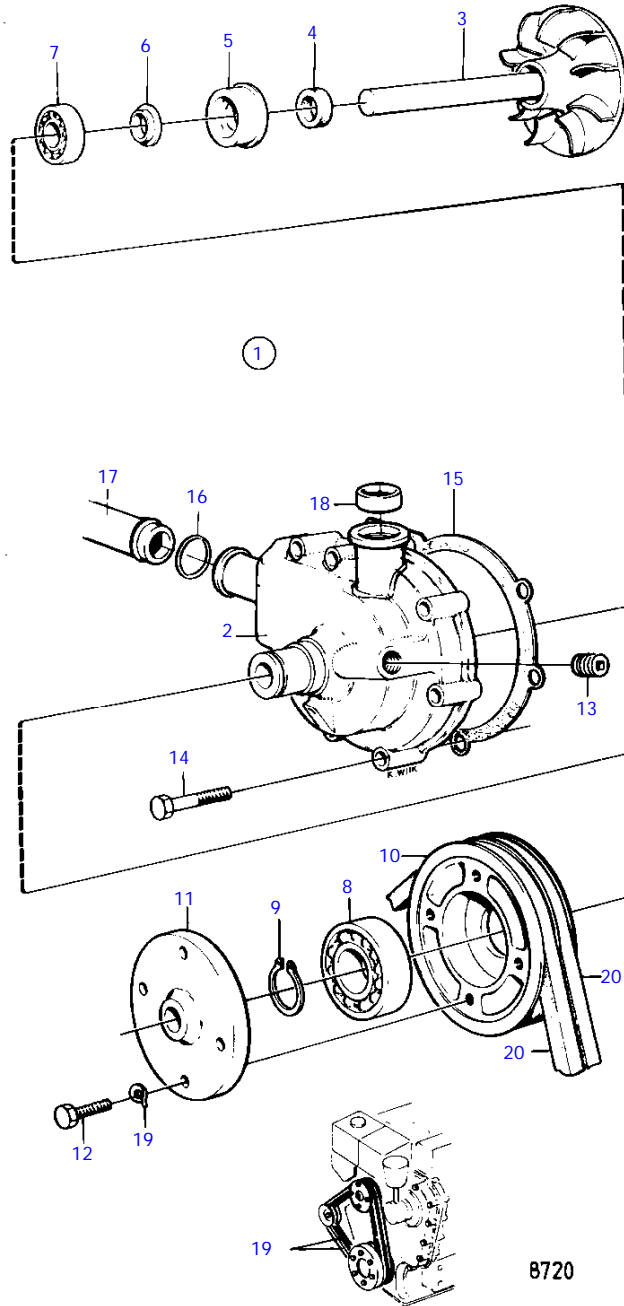
TAMD31A



9126

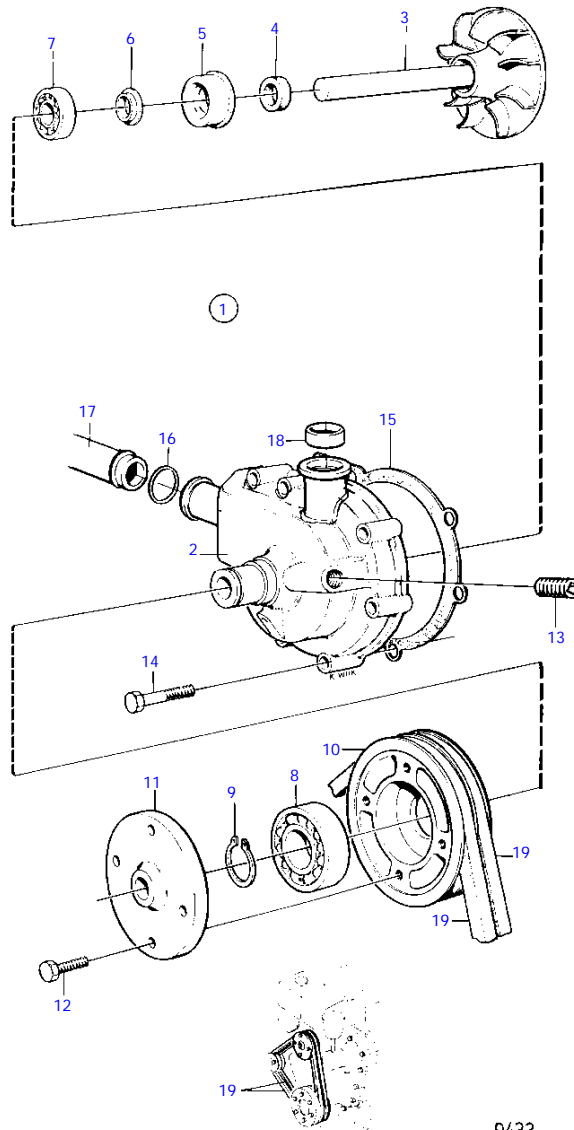
TAMD31A

REF	PART NO.	QTY	DESCRIPTION	SEE SEC.	NOTES
1	859128	1	Water pump		SN2203105174-
2		1	• HOUSING		
3		1	• SHAFT		
4	421306	1	• Wear ring		
5	1545283	1	• Sealing ring		
6	70913	1	• Deflector		
7	1660609	1	• Ball bearing		
8	181538	1	• Ball bearing		
9	914462	1	• Snap ring		
10	1542235	1	• Pulley		
11	1542236	1	• Hub		
12	946173	4	• Flange screw		
13	952077	1	• Plug		
	875735	X	Repair kit		SEE GROUP 10A
14	858522	1	Coolant pipe		INLET-WATER PUMP, OBSOLETE PART
15	947760	6	Flange screw		
16	859027	1	Gasket		
17	925067	2	O-ring		
18	1542198	1	Sealing ring	19169	
19		X	DRIVE BELT		SEE GROUP 3
20	858520	1	Coolant pipe		
21	946670	1	Flange screw		
22	820917	1	Spacer sleeve		
23	953001	1	Stud		
23A	941907	1	Spring washer		
23B	971095	1	Flange nut		(945409)
24	952969	X	Hose		EXPANSION TANK-INLET, L = 1940 MM
25	943472	1	Hose clamp		
26	944386	X	Rubber hose		L = 90 MM
27	943475	2	Hose clamp		



REF	PART NO.	QTY	DESCRIPTION	NOTES
1	859128	1	Water pump	
2		1	* Housing	
3		1	*	
4	421306	1	* Wear ring	
5	1545283	1	* Sealing ring	
6	70913	1	* Deflector	
7	1660609	1	* Ball bearing	
8	181538	1	* Ball bearing	
9	914462	1	* Snap ring	
10	1542235	1	* Pulley	
11	1542236	1	* Hub	
12	946173	4	* Flange screw	
13	952077	1	* Plug	
	875735	X	Repair kit	SEE GROUP 10A
14	947760	6	Flange screw	
15	859027	1	Gasket	
16	968927	1	O-ring	
17	838738	1	Tube	HEAT EXCHANGER-CIRCULATION PUMP.
18	1542198	1	Sealing ring	
19	941907	4	Spring washer	
20		X	DRIVE BELT	SEE GROUP 3

TMD31B, TAMD31B, AD31B

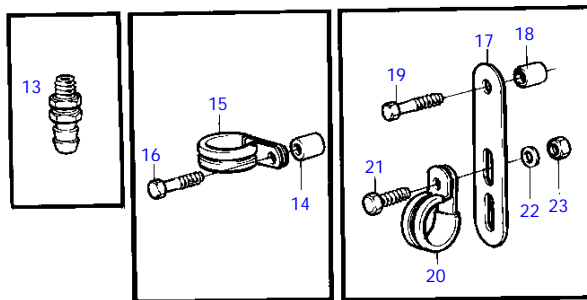
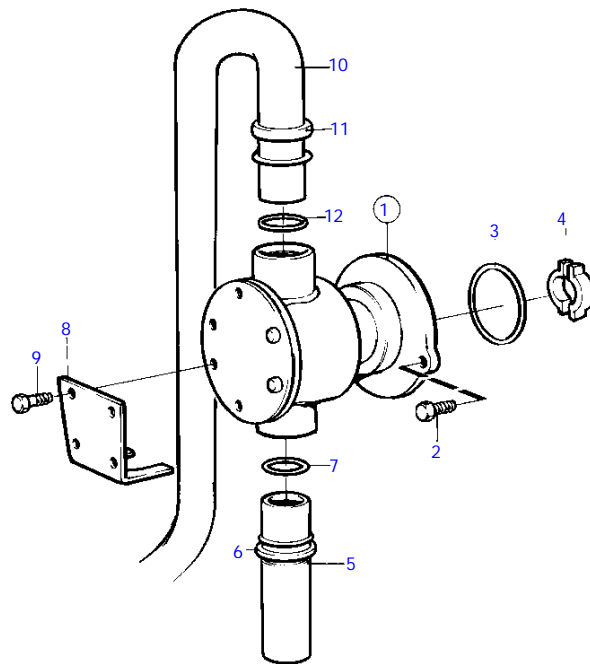


9433

TMD31B, TAMD31B, AD31B

REF	PART NO.	QTY	DESCRIPTION	SEE SEC.	NOTES
1	859128	1	Water pump		
2		1	* HOUSING		
3		1	* SHAFT		
4	421306	1	* Wear ring		
5	1545283	1	* Sealing ring		
6	70913	1	* Deflector		
7	1660609	1	* Ball bearing		
8	181538	1	* Ball bearing		
9	914462	1	* Snap ring		
10	1542235	1	* Pulley		
11	1542236	1	* Hub		
12	946173	4	* Flange screw		
13	952077	1	* Plug		
	875735	X	Repair kit		SEE GROUP 10A
14	947760	6	Flange screw		
15	859027	1	Gasket		
16	968927	1	O-ring		
17	838738	1	Tube		HEAT EXCHANGER-CIRCULATION PUMP.
18	1542198	1	Sealing ring	19168	
19		X	DRIVE BELT		SEE GROUP 3

MD31A

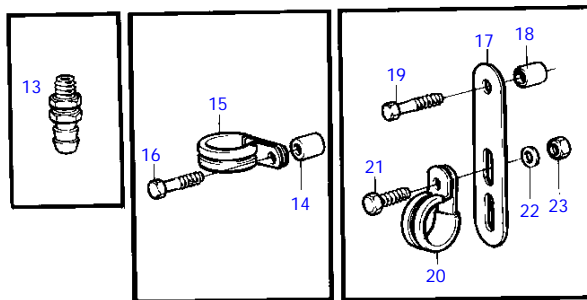
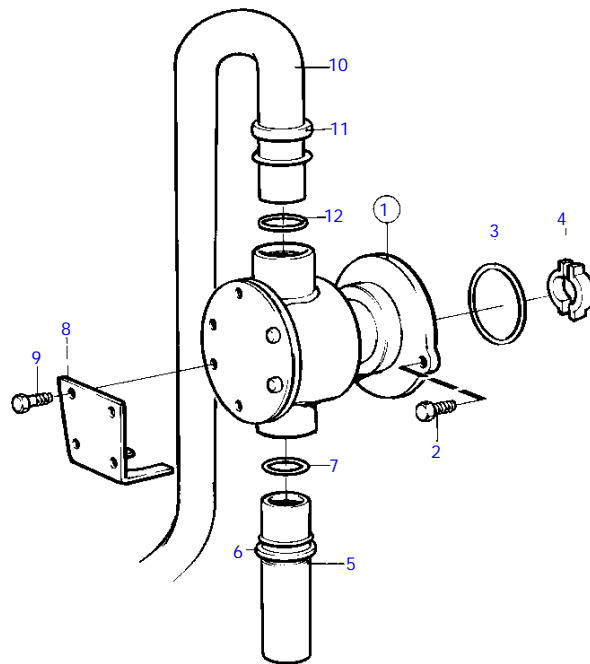


8008

MD31A

REF	PART NO.	QTY	DESCRIPTION	SEE SEC.	NOTES
1	858470	1	Sea water pump		
			*	19138	
			*	19138	
2	946173	2	Flange screw		
3	968971	1	O-ring		
4	858467	1	Companion flange		
5	847105	1	Pipe		
6	847108	1	Pipe retainer		
7	949658	1	O-ring		
8	847107	2	Lock brace		
9	963545	4	Hexagon screw		
10	838971	1	Coolant pipe		SEA WATER PUMP-OIL COOLER.
11	847108	1	Pipe retainer		
12	949658	1	O-ring		
13	949918	1	Shut-off cock		
14	846339	1	Spacer sleeve		
15	947827	1	Clamp		
16	965180	1	Flange screw		
17	965534	1	Bracket		
18	843075	1	Spacer sleeve		
19	965182	1	Flange screw		
20	952635	1	Clamp		
21	946544	1	Flange screw		
22	955892	1	Washer		
23	945407	1	Flange nut		

TMD31A

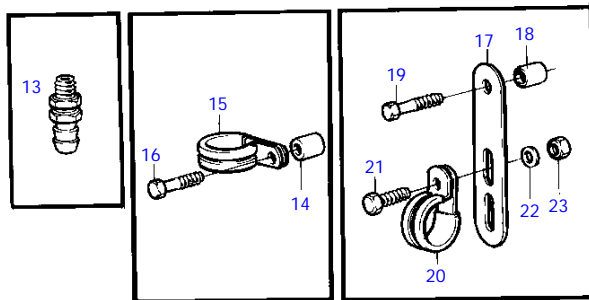
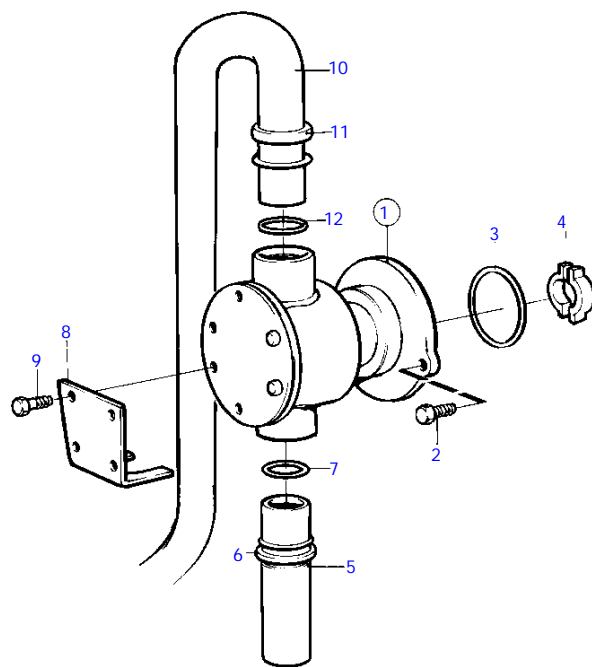


8008

TMD31A

REF	PART NO.	QTY	DESCRIPTION	NOTES
1	858469	1	Sea water pump	
2	946173	2	Flange screw	
3	968971	1	O-ring	
4	858467	1	Companion flange	
5	847105	1	Pipe	
6	847108	1	Pipe retainer	
7	949658	1	O-ring	
8	847107	2	Lock brace	
9	963545	4	Hexagon screw	
10	838971	1	Coolant pipe	SEA WATER PUMP-OIL COOLER.
11	847108	1	Pipe retainer	
12	949658	1	O-ring	
13	949918	1	Shut-off cock	
14	846339	1	Spacer sleeve	
15	947827	1	Clamp	
16	965180	1	Flange screw	
17	965534	1	Bracket	
18	843075	1	Spacer sleeve	
19	965182	1	Flange screw	
20	952635	1	Clamp	
21	946544	1	Flange screw	
22	955892	1	Washer	
23	945407	1	Flange nut	

TAMD31A

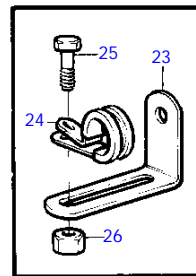
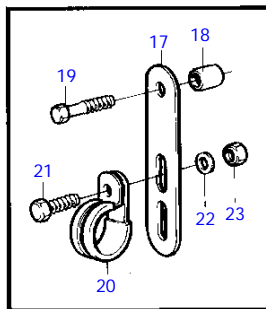
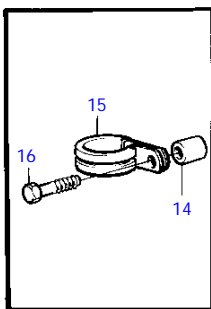
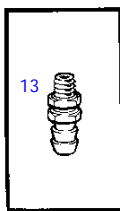
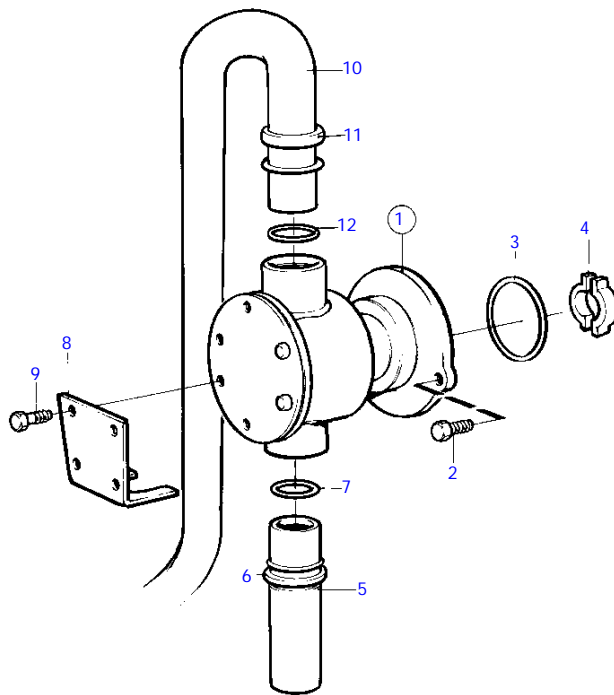


8008

TAMD31A

REF	PART NO.	QTY	DESCRIPTION	NOTES
1	858469	1	Sea water pump	
2	946173	2	Flange screw	
3	968971	1	O-ring	
4	858467	1	Companion flange	
5	847105	1	Pipe	
6	847108	1	Pipe retainer	
7	949658	1	O-ring	
8	847107	2	Lock brace	
9	963545	4	Hexagon screw	
10	838971	1	Coolant pipe	SEA WATER PUMP-OIL COOLER.
11	847108	1	Pipe retainer	
12	949658	1	O-ring	
13	949918	1	Shut-off cock	
14	846339	1	Spacer sleeve	
15	947827	1	Clamp	
16	965180	1	Flange screw	
17	965534	1	Bracket	
18	843075	1	Spacer sleeve	
19	965182	1	Flange screw	
20	952635	1	Clamp	
21	946544	1	Flange screw	
22	955892	1	Washer	
23	945407	1	Flange nut	

TAMD31A

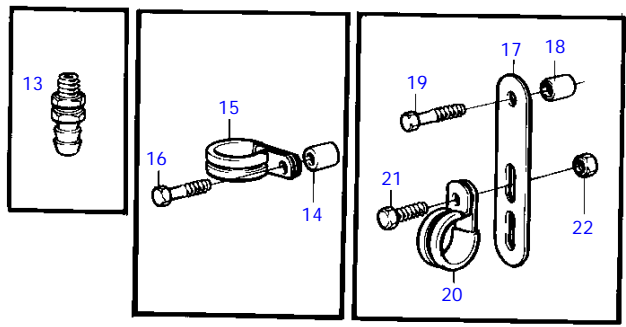
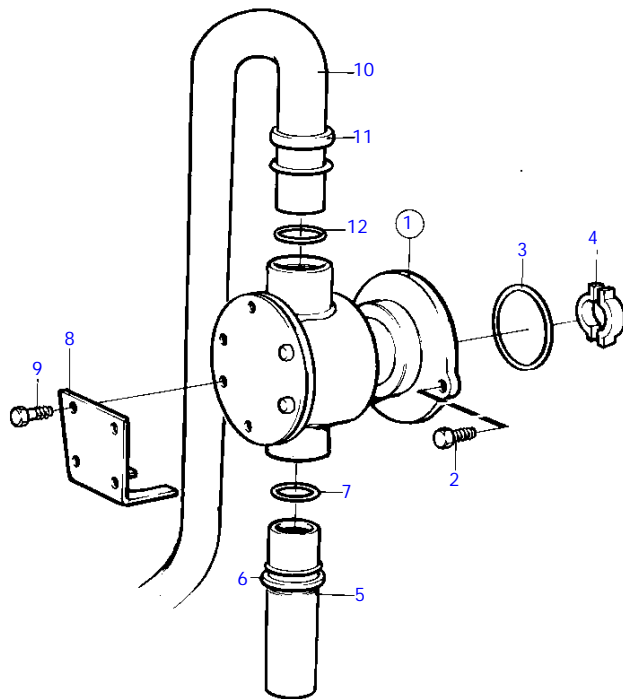


9127

TAMD31A

REF	PART NO.	QTY	DESCRIPTION	SEE SEC.	NOTES
1	858701	1	Sea water pump		
			*	19139	
2	946173	2	Flange screw		
3	968971	1	O-ring		
4	858467	1	Companion flange		
5	858522	1	Coolant pipe		INLET-WATER PUMP, OBSOLETE PART
6	847108	1	Pipe retainer		
7	949658	1	O-ring		
8	847107	2	Lock brace		
9	963545	4	Hexagon screw		
10	838971	1	Coolant pipe		WATER PUMP-OIL COOLER
11	847108	1	Pipe retainer		
12	949658	1	O-ring		
13	949918	1	Shut-off cock		
14	846339	1	Spacer sleeve		
15	947827	1	Clamp		
16	965180	1	Flange screw		
17	965534	1	Bracket		
18	843075	1	Spacer sleeve		
19	965182	1	Flange screw		
20	952635	1	Clamp		
21	946544	1	Flange screw		
22	945407	1	Flange nut		
23	965537	1	Bracket		
24	952635	1	Clamp		
25	946544	1	Flange screw		
26	945407	1	Flange nut		

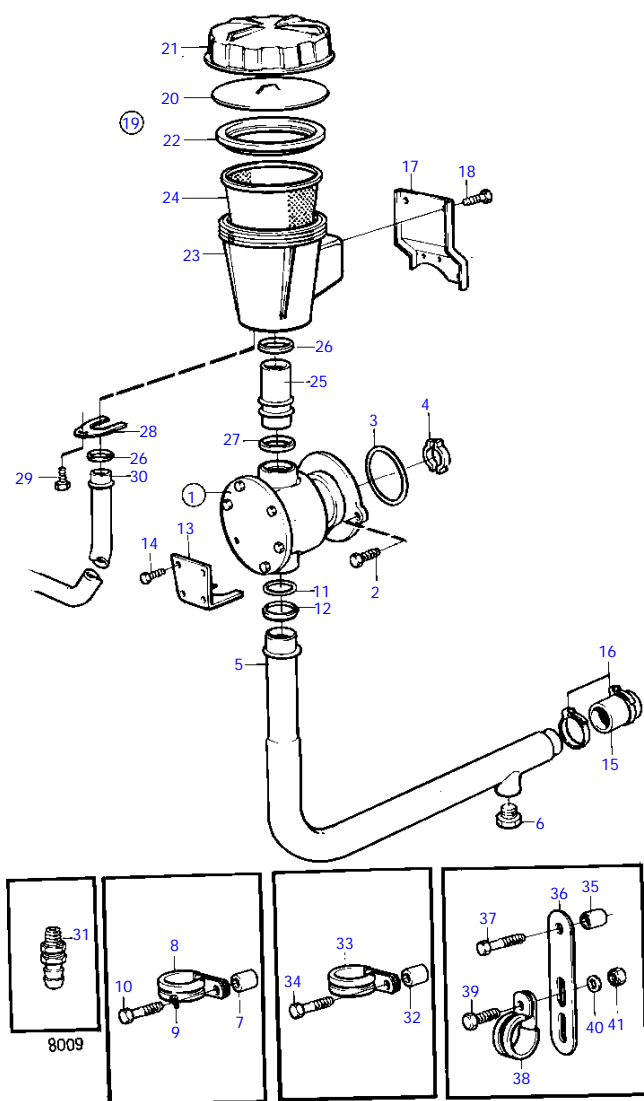




8399

REF	PART NO.	QTY	DESCRIPTION	SEE SEC.	NOTES
1	858701	1	Sea water pump		
			*	19139	
2	946173	2	Flange screw		
3	968971	1	O-ring		
4	858467	1	Companion flange		
5	847105	1	Pipe		
6	847108	1	Pipe retainer		
7	949658	1	O-ring		
8	847107	2	Lock brace		
9	963545	4	Hexagon screw		
10	838971	1	Coolant pipe		SEA WATER PUMP-OIL COOLER.
11	847108	1	Pipe retainer		
12	949658	1	O-ring		
13	949918	1	Shut-off cock		
14	846339	1	Spacer sleeve		
15	947827	1	Clamp		
16	965180	1	Flange screw		
17	965534	1	Bracket		
18	843075	1	Spacer sleeve		
19	965182	1	Flange screw		
20	952635	1	Clamp		
21	946544	1	Flange screw		
22	945407	1	Flange nut		

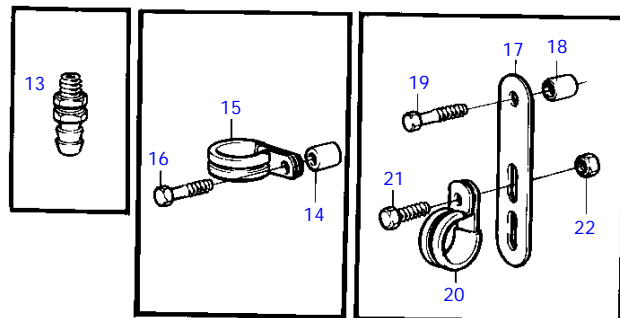
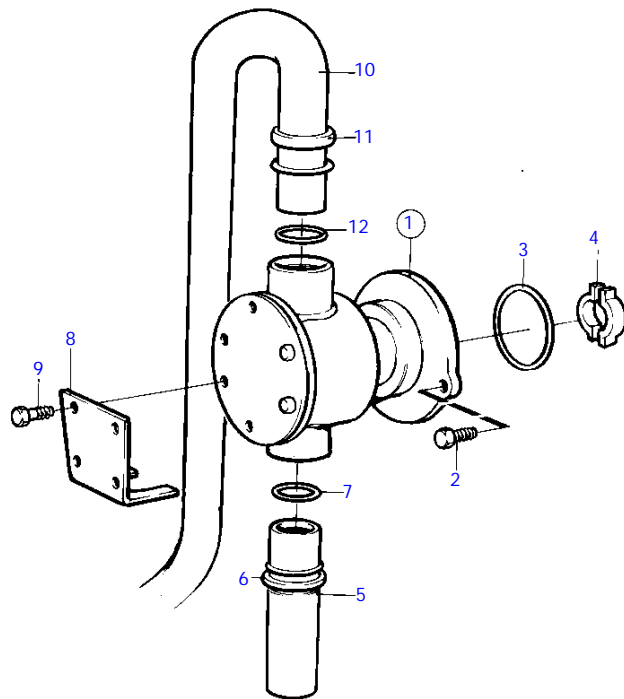
AQAD31A, AD31A, AD31B



AQAD31A, AD31A, AD31B

REF	PART NO.	QTY	DESCRIPTION	SEE SEC.	NOTES
1	858469	1	Sea water pump		
			*	19138	
2	946173	2	Flange screw		
3	968971	1	O-ring		
4	858467	1	Companion flange		
5	858525	1	Coolant pipe		SEA WATER PUMP-SHIELD
6	192134	1	Plug		
7	11978	2	Washer		
8	943717	2	Clamp		
9	955894	2	Washer		
10	946173	2	Flange screw		
11	949658	1	O-ring		
12	847108	1	Pipe retainer		
13	847107	1	Lock brace		
14	963545	2	Hexagon screw		
15	858517	1	Hose		SEE GROUP 4A
16	961670	2	Hose clamp		
17	842742	1	Bracket		
18	944926	4	Flange screw		
19	842924	1	Strainer		
20	842982	1	* Pressure plate		
21	842722	1	* Cover		
22	842724	1	* Sealing		
23		1	* HOUSING		
24	842723	1	* Strainer		
25	842743	1	Tube		
26	858986	2	Sealing ring		(842744)
27	949658	1	O-ring		
28	829691	1	Retainer		
29	965175	1	Flange screw		
30	838973	1	Coolant pipe		STRAINER-OIL COOLER
31	949918	1	Shut-off cock		
32	846339	1	Spacer sleeve		
33	947827	1	Clamp		
34	965180	1	Flange screw		
35	843075	1	Spacer sleeve		
36	965534	1	Bracket		
37	965182	1	Flange screw		
38	952635	1	Clamp		
39	946544	1	Flange screw		
40	955892	1	Washer		EARLY TYPE
41	945407	1	Flange nut		

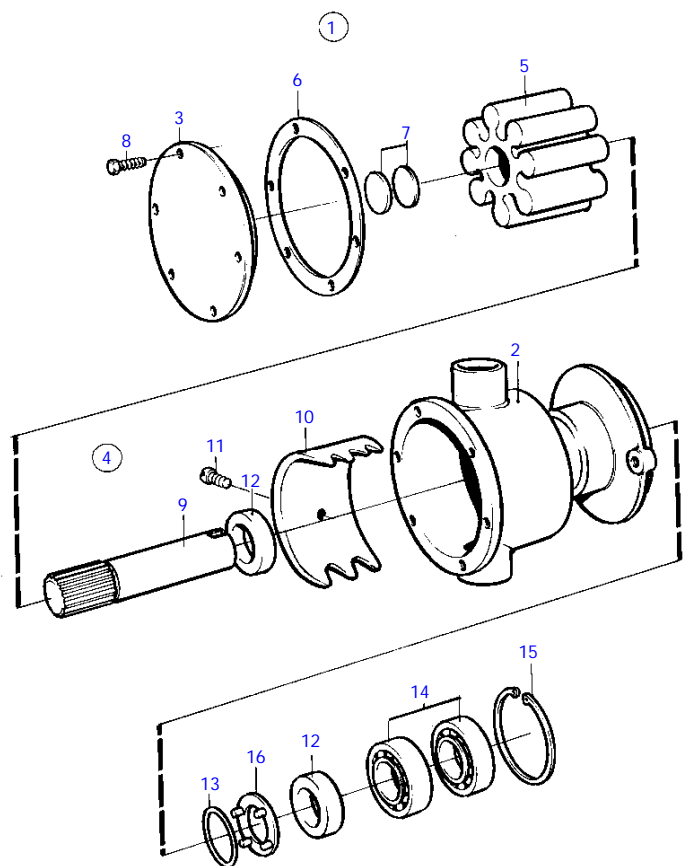
TMD31B, TAMD31B



8399

TMD31B, TAMD31B

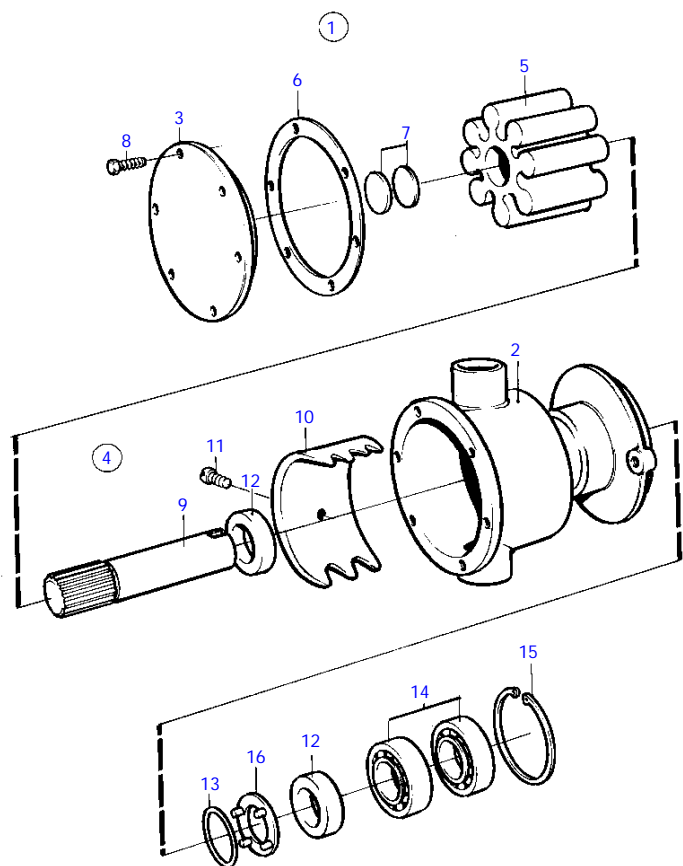
REF	PART NO.	QTY	DESCRIPTION	SEE SEC.	NOTES
1	858469	1	Sea water pump		
			*	19138	
2	946173	2	Flange screw		
3	968971	1	O-ring		
4	858467	1	Companion flange		
5	847105	1	Pipe		
6	847108	1	Pipe retainer		
7	949658	1	O-ring		
8	847107	2	Lock brace		
9	963545	4	Hexagon screw		
10	838971	1	Coolant pipe		SEA WATER PUMP-OIL COOLER.
11	847108	1	Pipe retainer		
12	949658	1	O-ring		
13	949918	1	Shut-off cock		
14	846339	1	Spacer sleeve		
15	947827	1	Clamp		
16	965180	1	Flange screw		
17	965534	1	Bracket		
18	843075	1	Spacer sleeve		
19	965182	1	Flange screw		
20	952635	1	Clamp		
21	946544	1	Flange screw		
22	945407	1	Flange nut		



7996



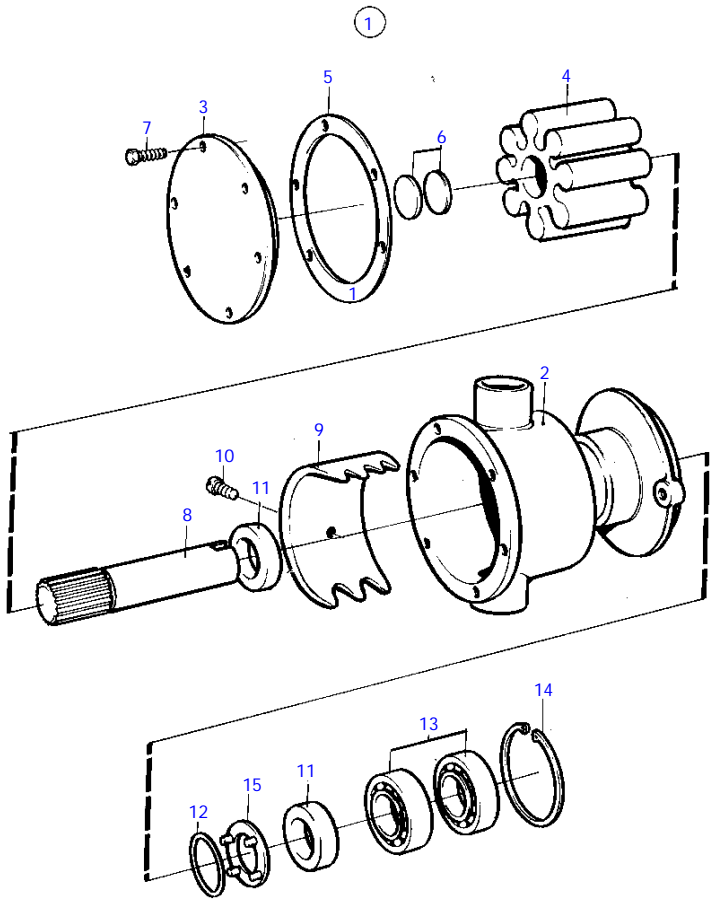
REF	PART NO.	QTY	DESCRIPTION	NOTES
1	858469	1	Sea water pump	
2		1	* HOUSING	
3	815573	1	* Cardboard tube	
4	875593	1	* Impeller kit	
5		1	* * IMPELLER	
6	808275	1	* * Gasket	
7	827019	2	* * Washer, WASHER SCREW	
8	841693	6	* Screw	
9		1	* SHAFT	
10		1	* CAM	
11	808285	1	* Screw	
12	827247	2	* Sealing ring	
13	960166	1	* O-ring	
14	11010	2	* Ball bearing	
15	914523	1	* Snap ring	
16	844580	1	* Support washer	
	876088	1	Repair kit	SEE GROUP 10A



7996



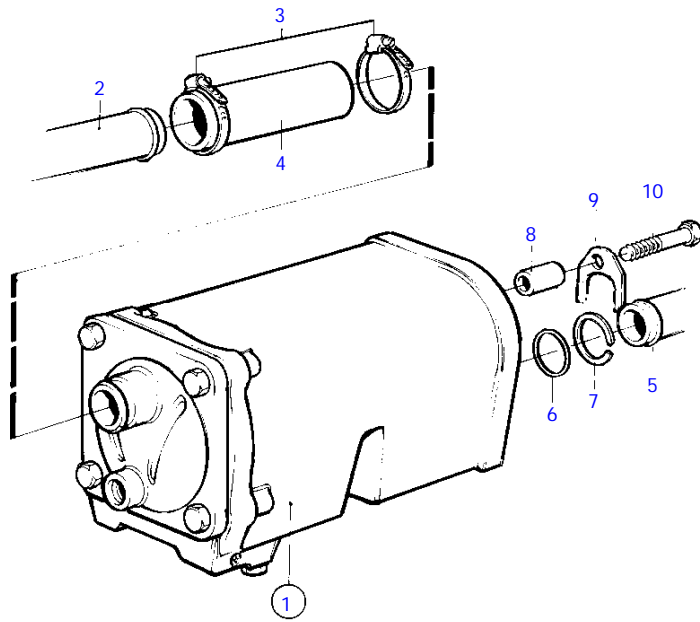
REF	PART NO.	QTY	DESCRIPTION	NOTES
1	858470	1	Sea water pump	
2		1	• HOUSING	
3	815573	1	• Cardboard tube	
4	875593	1	• Impeller kit	
5		1	• • IMPELLER	
6	808275	1	• • Gasket	
7	827019	2	• • Washer, WASHER SCREW	
8	841693	6	• Screw	
9		1	• SHAFT	
10		1	• CAM	
11	801566	1	• Screw	
12	827247	2	• Sealing ring	
13	960166	1	• O-ring	
14	11010	2	• Ball bearing	
15	914523	1	• Snap ring	
16	844580	1	• Support washer	
	876088	1	Repair kit	SEE GROUP 10A



8400

REF	PART NO.	QTY	DESCRIPTION	NOTES
1	858701	1	Sea water pump	
2		1	* HOUSING	
3	815573	1	* Cardboard tube	
4	858249	1	* Impeller	
5	808275	1	* Gasket	
6	827019	2	* Washer	
7	841693	6	* Screw	
8		1	* SHAFT	
9	827011	1	* Cam	
10	808285	1	* Screw	
11	827247	2	* Sealing ring	
12	960166	1	* O-ring	
13	11010	2	* Ball bearing	
14	914523	1	* Snap ring	
15	844580	1	* Support washer, WASHER	
	876088	1	Repair kit	SEE GROUP 10A

MD31A

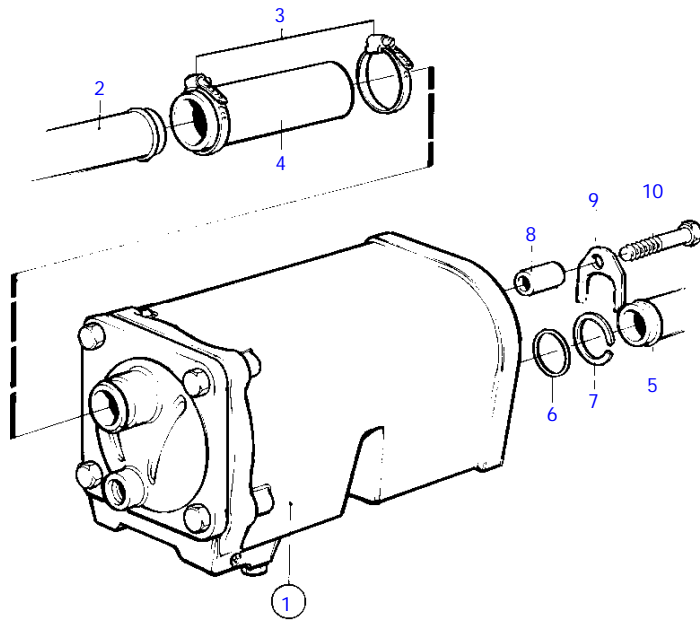


9730

MD31A

REF	PART NO.	QTY	DESCRIPTION	SEE SEC.	NOTES
1	838967	1	Oil cooler		SN-2203109457
			*	19145	
	859525	1	Oil cooler		SN2203109458-
			*	19146	
2	858298	1	Pipe		OIL COOLER-HEAT EXCHANGER., PRODUCT NO.867956,868160
	860327	1	Coolant pipe		OIL COOLER-REVERSE GEAR., PRODUCT NO.867959,868159, (858397)
3	943475	2	Hose clamp		
4	944386	1	Rubber hose		
5	838971	1	Coolant pipe		SEA WATER PUMP-OIL COOLER.
6	949658	1	O-ring		
7	847108	1	Pipe retainer		
8	807182	1	Spacer sleeve		
9	838970	1	Brace		
10	948217	1	Flange screw		

TMD31A

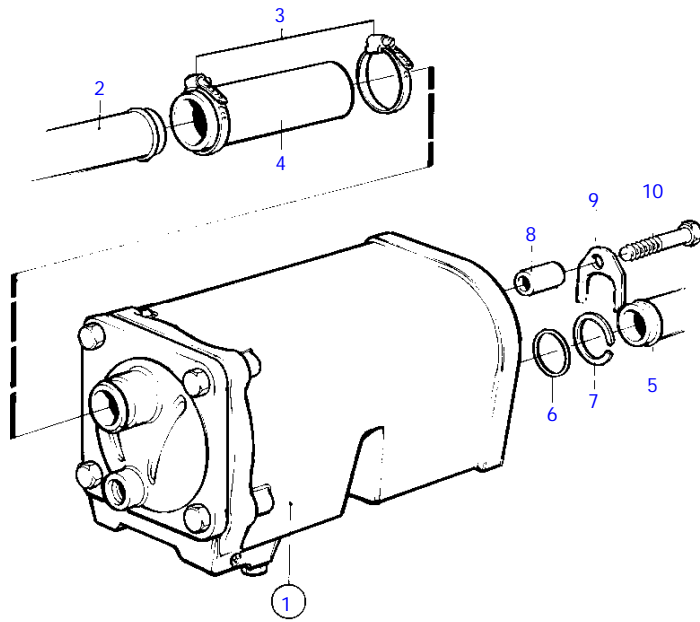


9730

TMD31A

REF	PART NO.	QTY	DESCRIPTION	NOTES
1	838967	1	Oil cooler	SN-2203109457
	859525	1	Oil cooler	SN2203109458-
2	838777	1	Coolant pipe	OIL COOLER-HEAT EXCHANGER., PRODUCT NO.867962,867963
	860327	1	Coolant pipe	OIL COOLER-REVERSE GEAR., PRODUCT NO.867961, (858397)
3	943475	2	Hose clamp	
4	944386	1	Rubber hose	
5	838971	1	Coolant pipe	SEA WATER PUMP-OIL COOLER.
6	949658	1	O-ring	
7	847108	1	Pipe retainer	
8	807182	1	Spacer sleeve	
9	838970	1	Brace	
10	948217	1	Flange screw	

TAMD31A

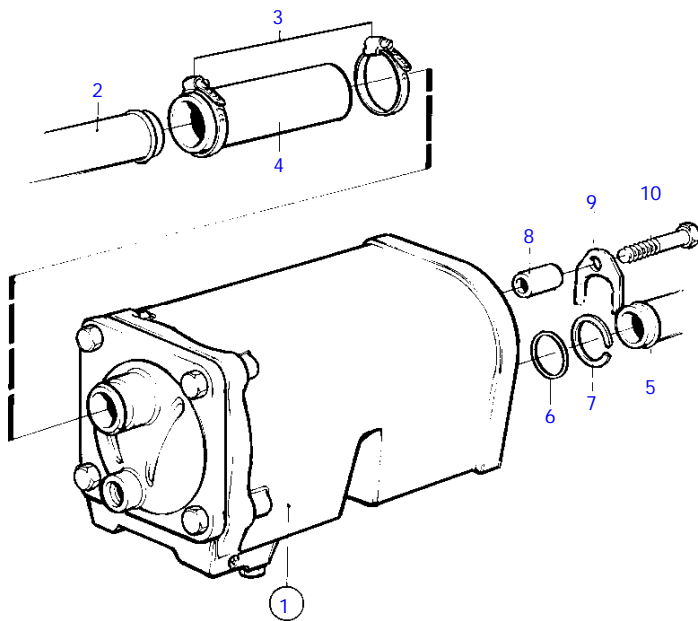


9730

TAMD31A

REF	PART NO.	QTY	DESCRIPTION	NOTES
1	838967	1	Oil cooler	SN-2203109457
	859525	1	Oil cooler	SN2203109458-
2	838819	1	Coolant pipe	OIL COOLER-AFTER COOLER
3	943475	2	Hose clamp	
4	944386	1	Rubber hose	
5	838971	1	Coolant pipe	SEA WATER PUMP-OIL COOLER.
6	949658	1	O-ring	
7	847108	1	Pipe retainer	
8	807182	1	Spacer sleeve	
9	838970	1	Brace	
10	948217	1	Flange screw	

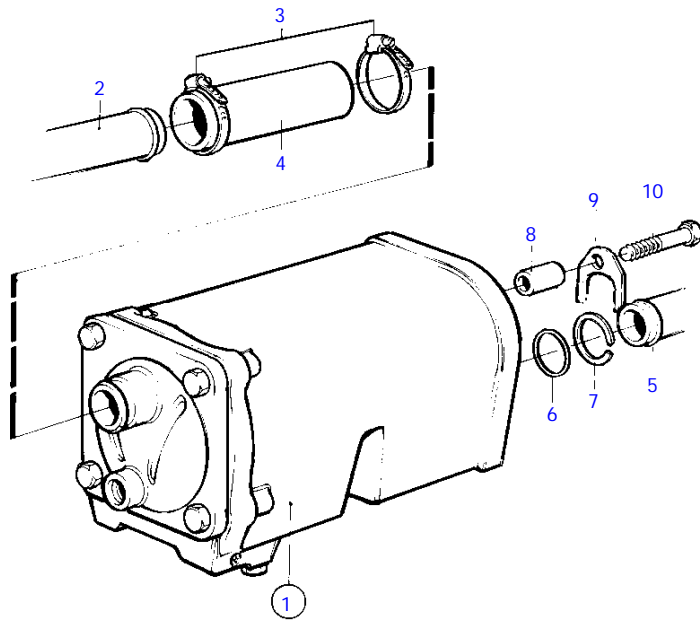
TAMD31A



9730

TAMD31A

REF	PART NO.	QTY	DESCRIPTION	SEE SEC.	NOTES
1	838967	1	Oil cooler		SN-2203109457
			*	19145	
	859525	1	Oil cooler		SN2203109458-
			*	19146	
2	838819	1	Coolant pipe		OIL COOLER-AFTER COOLER
3	943475	2	Hose clamp		
4	944386	1	Rubber hose		
5	838971	1	Coolant pipe		SEA WATER PUMP-OIL COOLER.
6	949658	1	O-ring		
7	847108	1	Pipe retainer		
8	807182	1	Spacer sleeve		
9	838970	1	Brace		
10	948217	1	Flange screw		



9730

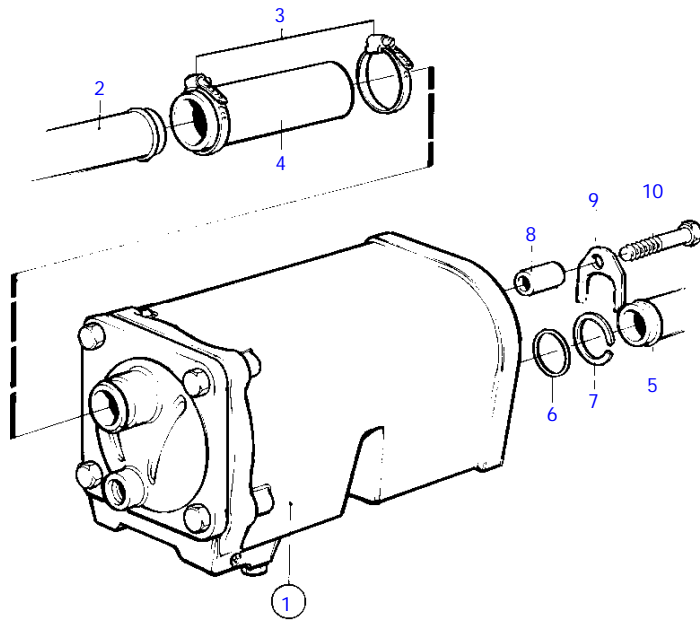
--

REF	PART NO.	QTY	DESCRIPTION	SEE SEC.	NOTES
1	838967	1	Oil cooler		
			*	19145	
	859525	1	Oil cooler		SN2203109458-
			*	19146	
2	838819	1	Coolant pipe		OIL COOLER-AFTER COOLER
3	943475	2	Hose clamp		
4	944386	1	Rubber hose		
5	838971	1	Coolant pipe		SEA WATER PUMP-OIL COOLER.
6	949658	1	O-ring		
7	847108	1	Pipe retainer		
8	807182	1	Spacer sleeve		
9	838970	1	Brace		
10	948217	1	Flange screw		

--	--	--	--	--	--



AQAD31A, AD31A



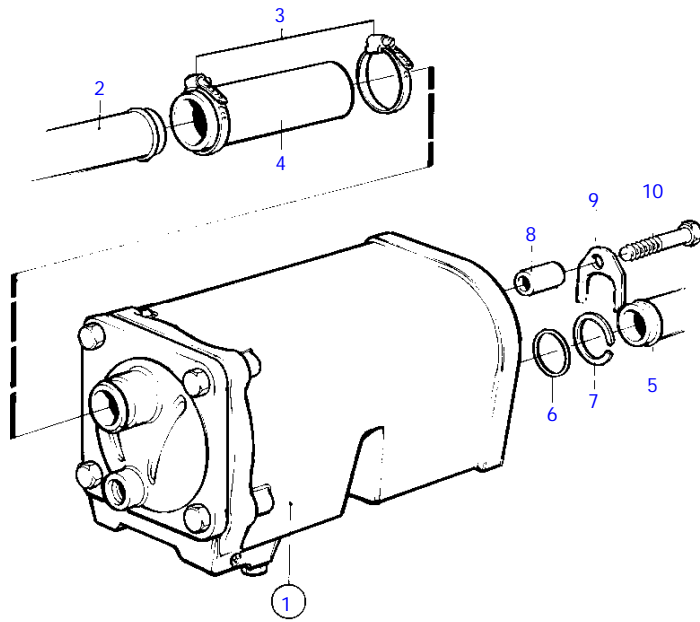
9730

AQAD31A, AD31A

REF	PART NO.	QTY	DESCRIPTION	SEE SEC.	NOTES
1	838967	1	Oil cooler		SN-2203109457
			*	19145	
	859525	1	Oil cooler		SN2203109458-
			*	19146	
2	838819	1	Coolant pipe		OIL COOLER-AFTER COOLER
3	943475	2	Hose clamp		
4	944386	1	Rubber hose		
5	838973	1	Coolant pipe		STRAINER-OIL COOLER
6	949658	1	O-ring		
7	847108	1	Pipe retainer		
8	807182	1	Spacer sleeve		
9	838970	1	Brace		
10	948217	1	Flange screw		



TMD31B

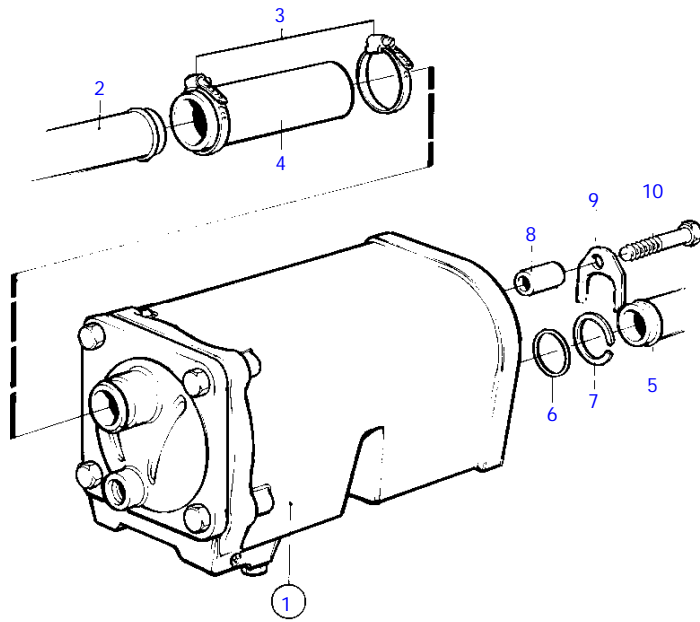


9730

TMD31B

REF	PART NO.	QTY	DESCRIPTION	SEE SEC.	NOTES
1	838967	1	Oil cooler		SN-2203113775
			*	19145	
	859525	1	Oil cooler		SN2203113776-
			*	19146	
2	838777	1	Coolant pipe		OIL COOLER-HEAT EXCHANGER., PRODUCT NO.868179,868285
	860327	1	Coolant pipe		OIL COOLER-REVERSE GEAR., PRODUCT NO.868180,868181
3	943475	2	Hose clamp		
4	944386	1	Rubber hose		
5	838971	1	Coolant pipe		SEA WATER PUMP-OIL COOLER.
6	949658	1	O-ring		
7	847108	1	Pipe retainer		
8	807182	1	Spacer sleeve		
9	838970	1	Brace		
10	948217	1	Flange screw		

TAMD31B

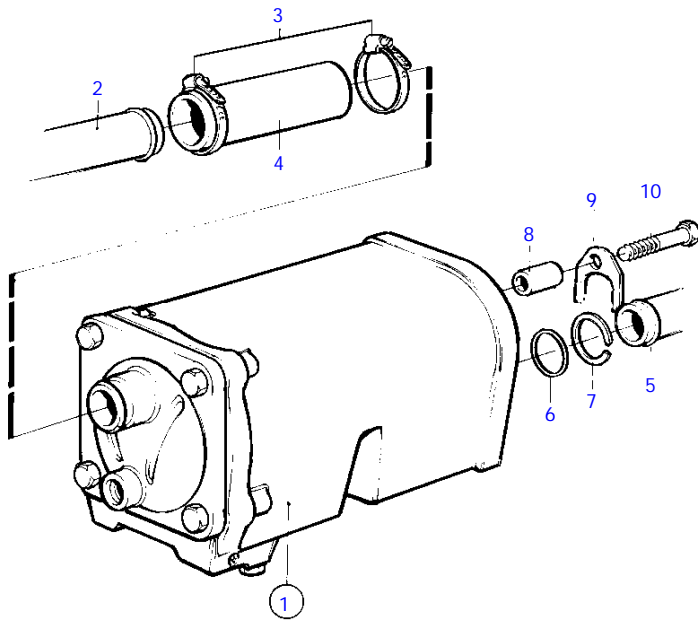


9730

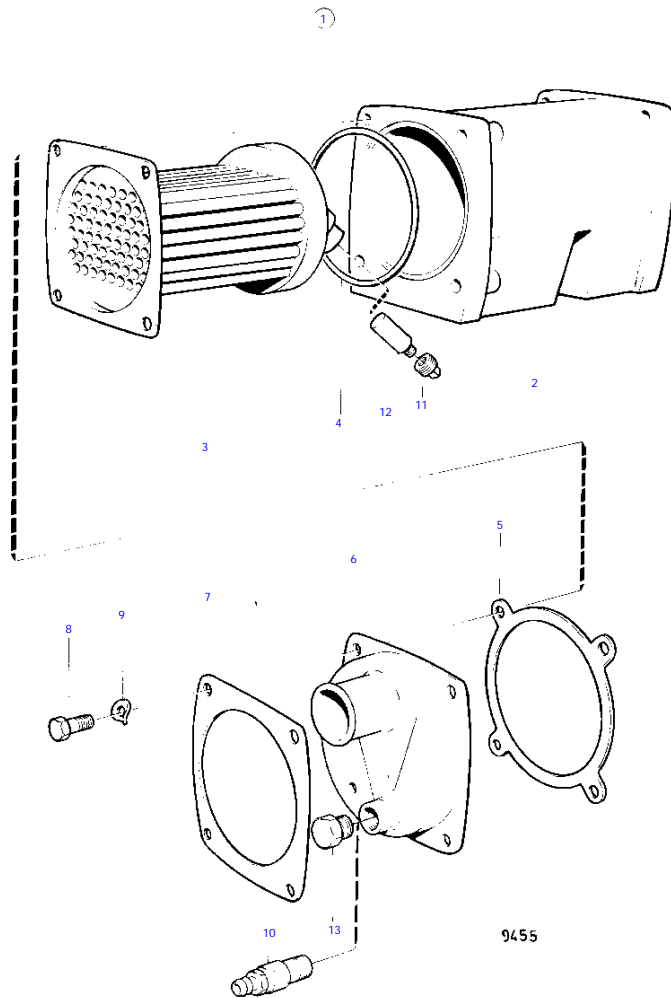
TAMD31B

REF	PART NO.	QTY	DESCRIPTION	NOTES
1	859525	1	Oil cooler	SN2203113776-
2	838819	1	Coolant pipe	OIL COOLER-AFTER COOLER
3	943475	2	Hose clamp	
4	944386	1	Rubber hose	
5	838971	1	Coolant pipe	SEA WATER PUMP-OIL COOLER.
6	949658	1	O-ring	
7	847108	1	Pipe retainer	
8	807182	1	Spacer sleeve	
9	838970	1	Brace	
10	948217	1	Flange screw	

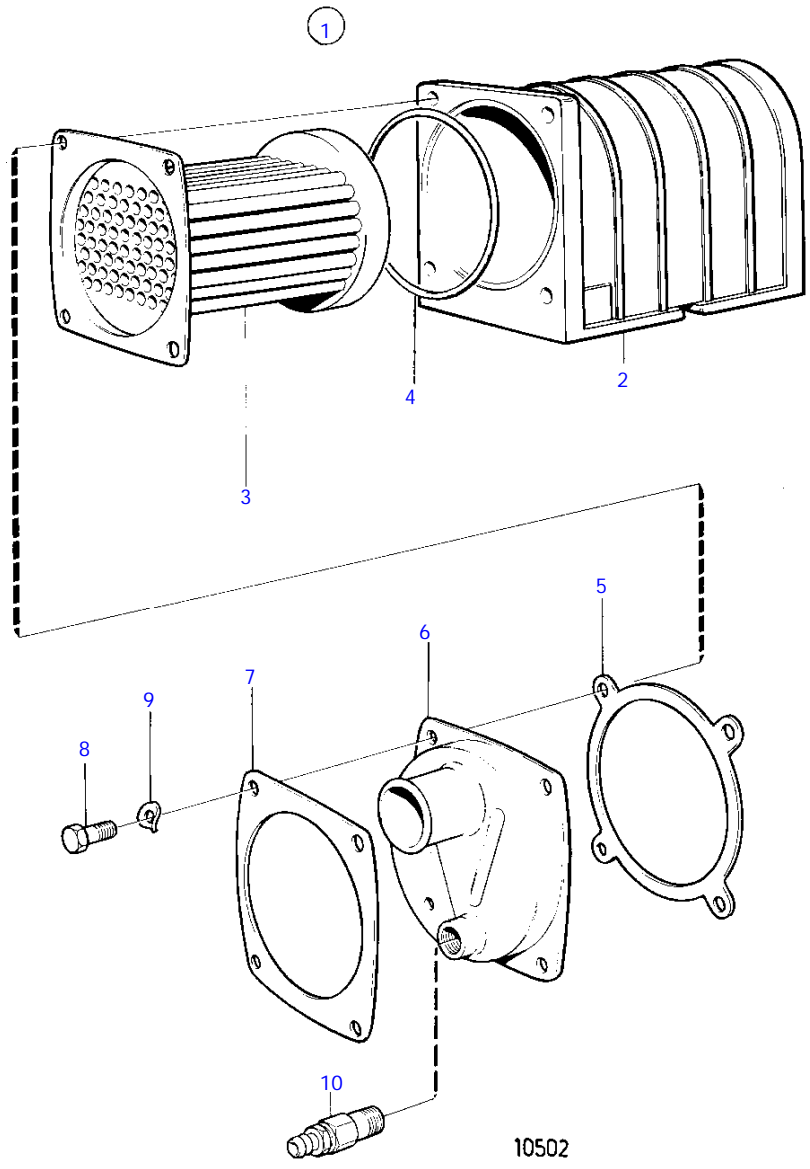
AD31B



9730

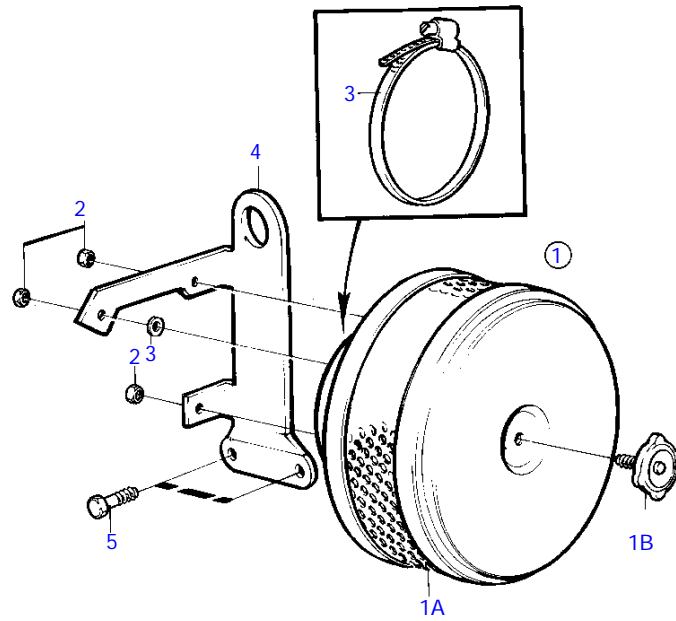
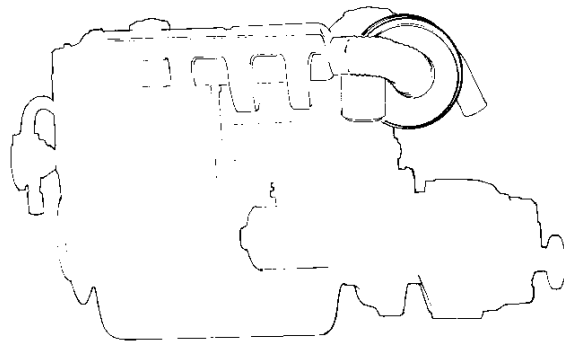


REF	PART NO.	QTY	DESCRIPTION	NOTES
1	838967	1	Oil cooler	
2		1	• HOUSING	
3	846099	1	• Insert	SN-2203109125
	859522	1	• • Insert	REPL BY 859522
4	948981	2	• • O-ring	SN2203109126-
5	842597	1	• • Gasket	
6	842602	1	• • End cover	
7	842596	1	• • Flange	
8	955297	4	• • Hexagon screw	
9	941907	4	• • Spring washer	
10	949918	1	• • Shut-off cock	
11	838928	1	• • Plug	SN-2203109125
12	838929	1	• • Anode	SN-2203109125
13	192134	1	Plug	



REF	PART NO.	QTY	DESCRIPTION
1	859525	1	Oil cooler
2		1	• HOUSING
3	859522	1	• Insert
4	948981	2	• O-ring
5	842597	1	• Gasket
6	842602	1	• End cover
7	842596	1	• Flange
8	955297	4	• Hexagon screw
9	941907	4	• Spring washer
10	949918	1	• Shut-off cock

MD31A

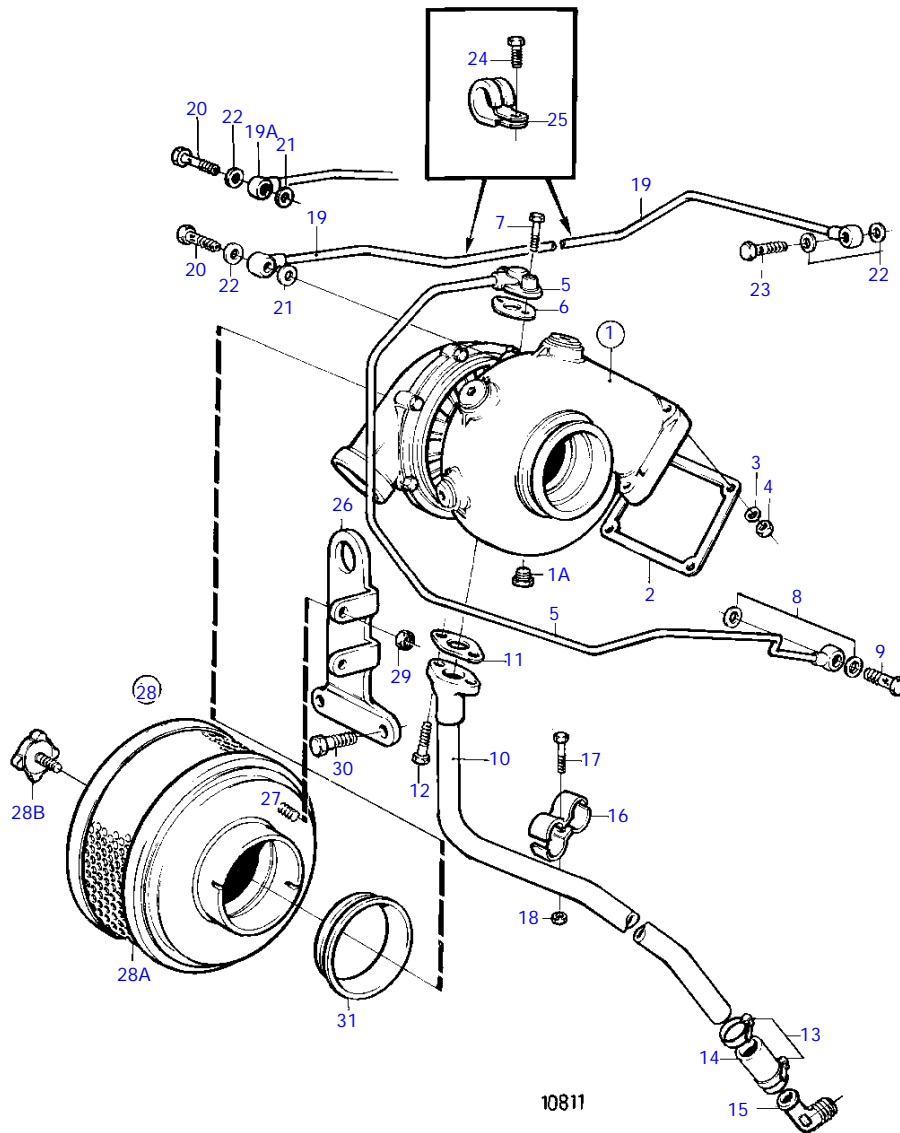


9457

MD31A

REF	PART NO.	QTY	DESCRIPTION	NOTES
1	838889	1	Air filter	OBSOLETE PART
1A	858488	1	* Air filter insert	
1B	859729	1	* Knob	
2	945407	3	Flange nut	
3	943481	1	Hose clamp	
4	838890	1	Bracket	OBSOLETE PART
5	946329	2	Flange screw	L = 25 MM

TMD31A

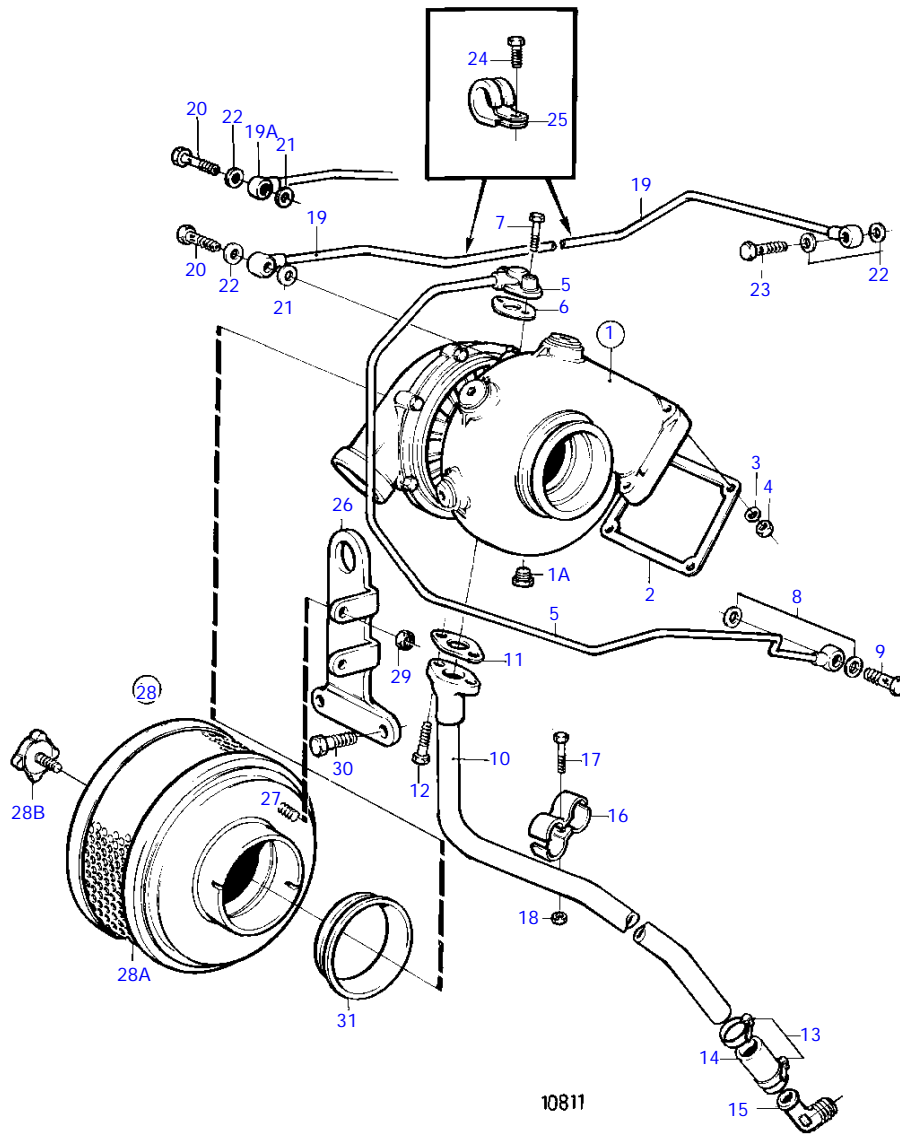


10811

TMD31A

REF	PART NO.	QTY	DESCRIPTION	SEE SEC.	NOTES
1	838695	1	Turbocharger, TURBO		ALSO AVAILABLE AS AN EXCHANGE PART.
			*	19152	
1A	192134	1	Plug		
2	859111	1	Gasket		(843009)
3	955895	4	Washer		
4	940183	4	Hexagon nut		
5	838868	1	Oil pressure pipe		
6	420641	1	Gasket		(466393)
7	946671	1	Flange screw		L = 30 MM
	945444	1	Flange screw		L = 25 MM
8	969011	2	Gasket		(18671)
9	25167	1	Hollow screw		
10	838870	1	Oil return pipe		
11	860105	1	Gasket		
12	945444	2	Flange screw		
13	943474	2	Hose clamp		
14	466328	1	Rubber hose		
15	843879	1	Elbow nipple		
16	820851	2	Clamp		
17	946544	1	Flange screw		
18	945407	1	Flange nut		
19	838744	1	Tube		REPLACED BY AIR VENT HOSE 860229, 1EA PLUG 960629 AND 1EA GASKET 11994
			* Bulletin 44-14	44-14-EN	Venting Pipe
19				19188	
19A	860229	1	Air vent hose		TURBO-HEAT EXCHANGER-THERMOSTAT HOUSING
20	846216	1	Hollow screw		
21	18665	1	Gasket		
22	11994	3	Gasket		
23	969299	1	Hollow screw		(74040)
24	965175	1	Flange screw		
25	952624	1	Clamp		
26	838829	1	Bracket		
27	946329	2	Flange screw		L = 25 MM ALT
28	838674	1	Air filter		
28A	858488	1	* Air filter insert		
28B	859729	1	* Knob		
29	945407	2	Flange nut		
30	943481	1	Hose clamp		
31	838855	1	Sealing ring		

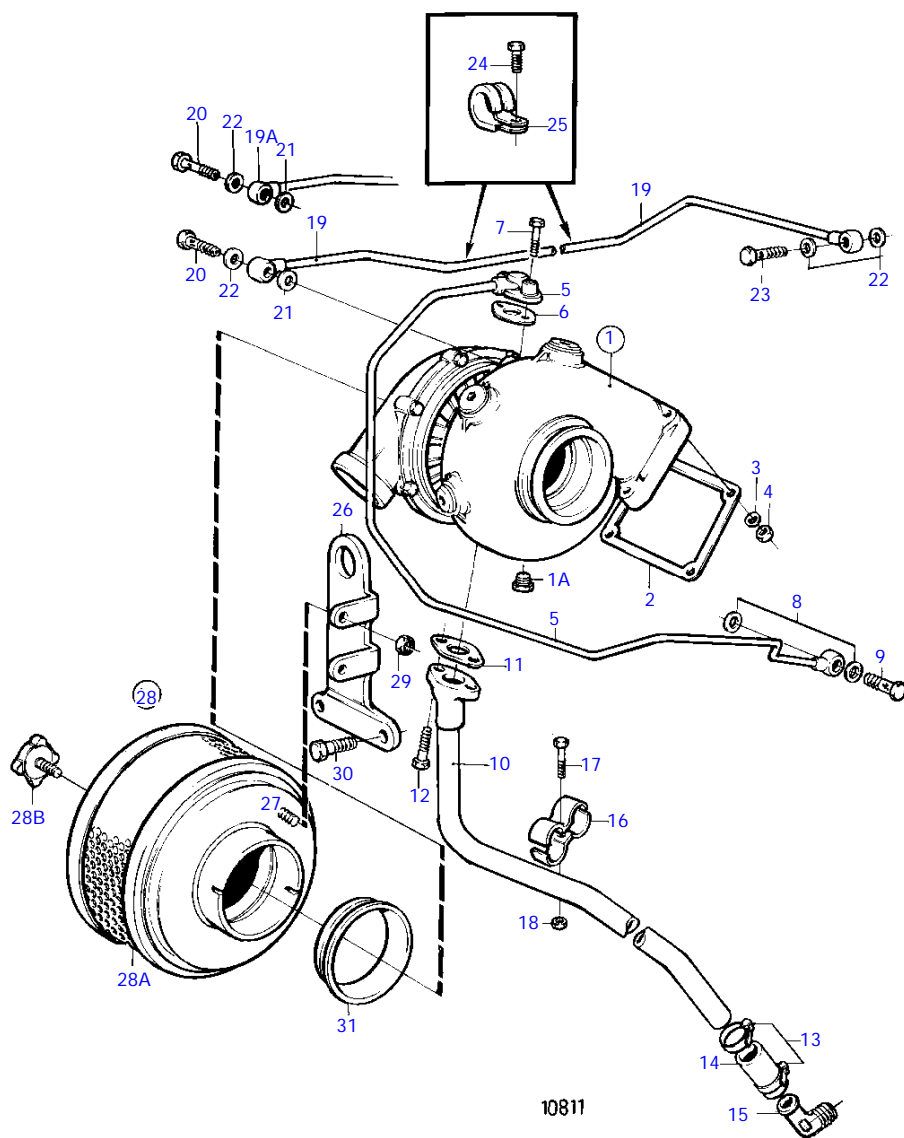
TAMD31A



TAMD31A

REF	PART NO.	QTY	DESCRIPTION	SEE SEC.	NOTES
1	838695	1	Turbocharger, TURBO		ALSO AVAILABLE AS AN EXCHANGE PART.
1A	192134	1	Plug		
2	859111	1	Gasket		(843009)
3	955895	4	Washer		
4	940183	4	Hexagon nut		
5	838868	1	Oil pressure pipe		
6	420641	1	Gasket		(466393)
7	946671	1	Flange screw		L = 30 MM
	945444	1	Flange screw		L = 25 MM
8	969011	2	Gasket		(18671)
9	25167	1	Hollow screw		
10	838870	1	Oil return pipe		
11	860105	1	Gasket		
12	945444	2	Flange screw		
13	943474	2	Hose clamp		
14	466328	1	Rubber hose		
15	843879	1	Elbow nipple		
16	820851	2	Clamp		
17	946544	1	Flange screw		
18	945407	1	Flange nut		
19	838744	1	Tube		REPLACED BY AIR VENT HOSE 860229, 1EA PLUG 960629 AND 1EA GASKET 11994
			* Bulletin 44-14	44-14-EN	Venting Pipe
19A	860229	1	Air vent hose		TURBO-HEAT EXCHANGER-THERMOSTAT HOUSING
20	846216	1	Hollow screw		
21	18665	1	Gasket		
22	11994	3	Gasket		
23	969299	1	Hollow screw		(74040)
24	965175	1	Flange screw		
25	952624	1	Clamp		
26	838829	1	Bracket		
27	946329	2	Flange screw		L = 25 MM ALT
	946472	2	Flange screw		L = 30 MM ALT
28	838674	1	Air filter		
28A	858488	1	* Air filter insert		
28B	859729	1	* Knob		
29	945407	2	Flange nut		
30	943481	1	Hose clamp		
31	838855	1	Sealing ring		

AQAD31A

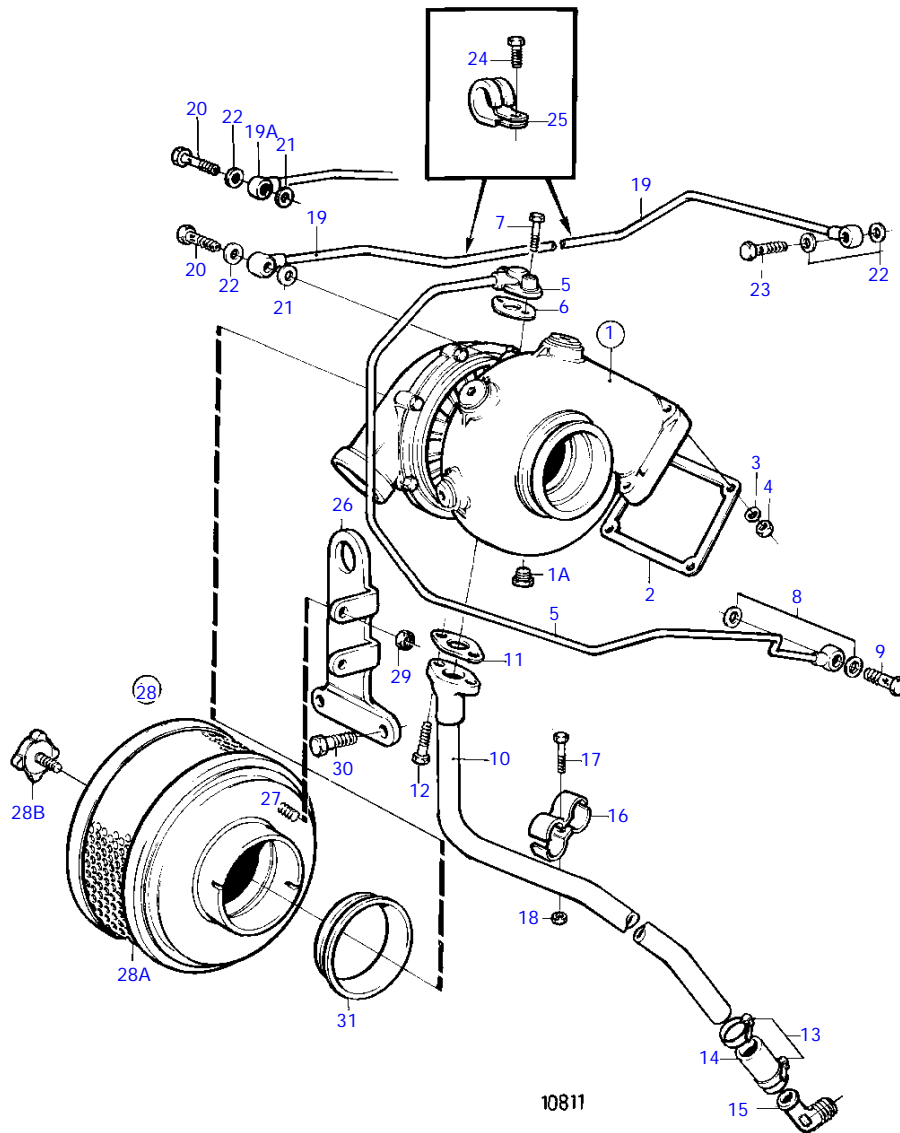


AQAD31A

REF	PART NO.	QTY	DESCRIPTION	SEE SEC.	NOTES
1	838695	1	Turbocharger, TURBO		ALSO AVAILABLE AS AN EXCHANGE PART.
1A	192134	1	Plug		
2	859111	1	Gasket		(843009)
3	955895	4	Washer		
4	940183	4	Hexagon nut		
5	838868	1	Oil pressure pipe		
6	420641	1	Gasket		(466393)
7	946671	1	Flange screw		L = 30 MM
	945444	1	Flange screw		L = 25 MM
8	969011	2	Gasket		(18671)
9	25167	1	Hollow screw		
10	838870	1	Oil return pipe		
11	860105	1	Gasket		
12	945444	2	Flange screw		
13	943474	2	Hose clamp		
14	466328	1	Rubber hose		
15	843879	1	Elbow nipple		
16	820851	2	Clamp		
17	946544	1	Flange screw		
18	945407	1	Flange nut		
19	838744	1	Tube		REPLACED BY AIR VENT HOSE 860229, 1EA PLUG 960629 AND 1EA GASKET 11994
			* Bulletin 44-14	44-14-EN	Venting Pipe
19A	860229	1	Air vent hose		TURBO-HEAT EXCHANGER-THERMOSTAT HOUSING
20	846216	1	Hollow screw		
21	18665	1	Gasket		
22	11994	3	Gasket		
23	969299	1	Hollow screw		(74040)
24	965175	1	Flange screw		
25	952624	1	Clamp		
26	838829	1	Bracket		
27	946329	2	Flange screw		L = 25 MM ALT
	946472	2	Flange screw		L = 30 MM ALT
28	838674	1	Air filter		
28A	858488	1	* Air filter insert		
28B	859729	1	* Knob		
29	945407	2	Flange nut		
30	943481	1	Hose clamp		
31	838855	1	Sealing ring		



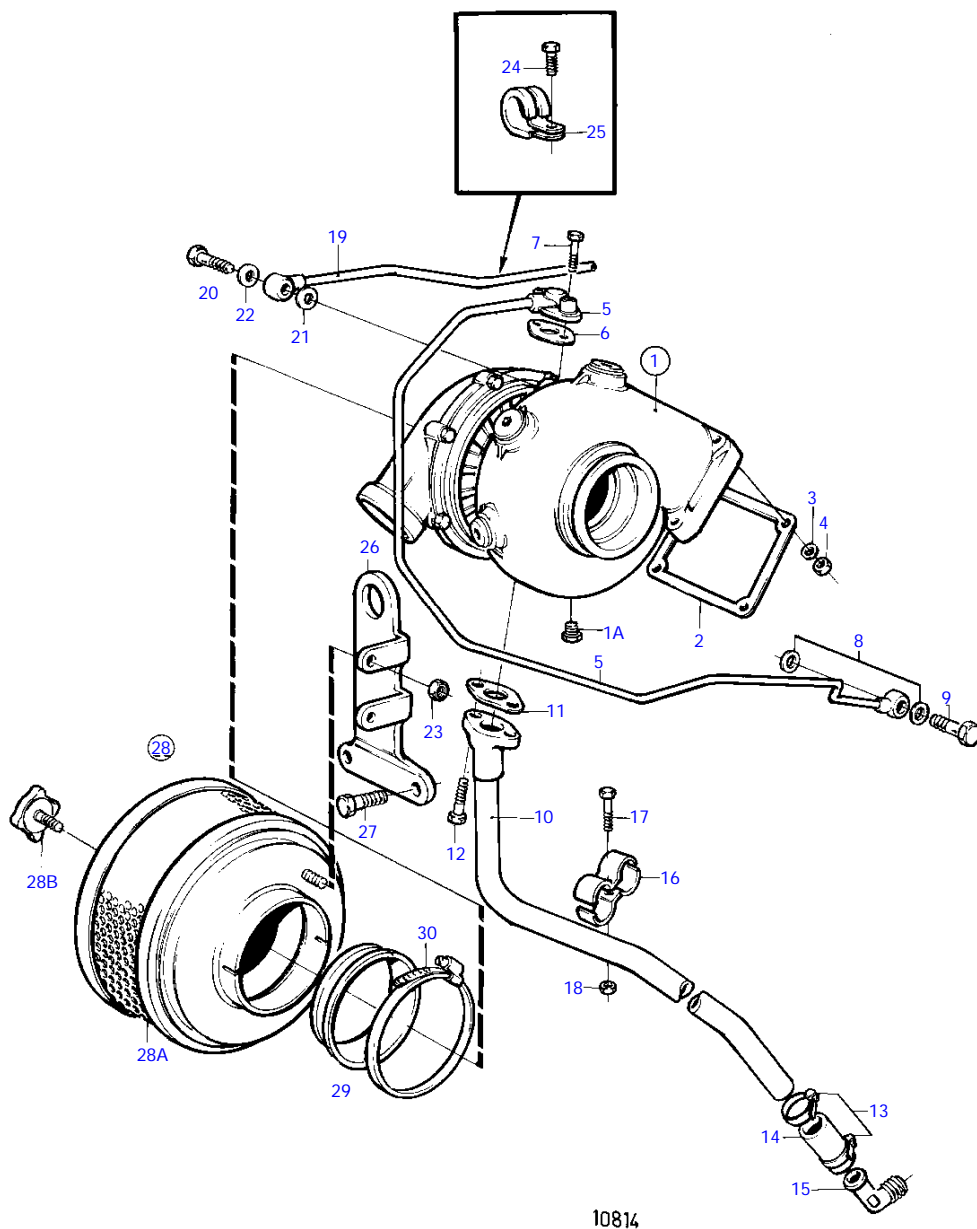
AD31A



AD31A

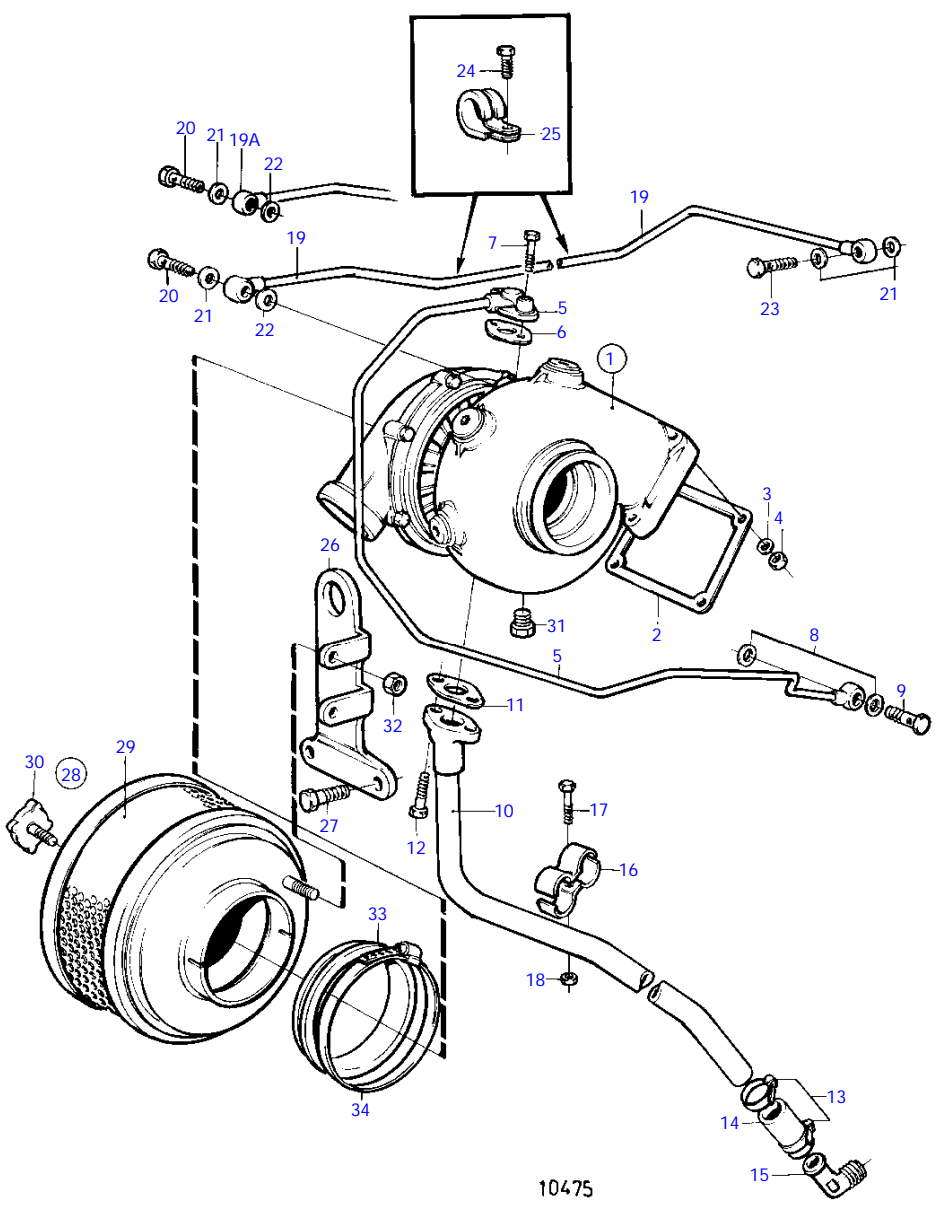
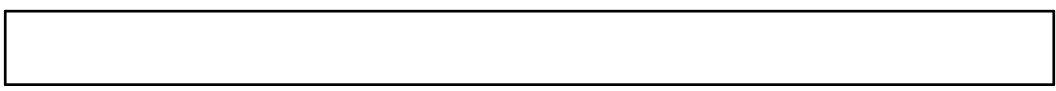
REF	PART NO.	QTY	DESCRIPTION	SEE SEC.	NOTES
1	838695	1	Turbocharger, TURBO		ALSO AVAILABLE AS AN EXCHANGE PART.
1A	192134	1	Plug		
2	859111	1	Gasket		(843009)
3	955895	4	Washer		
4	940183	4	Hexagon nut		
5	838868	1	Oil pressure pipe		
6	420641	1	Gasket		(466393)
7	946671	1	Flange screw		L = 30 MM
	945444	1	Flange screw		L = 25 MM
8	969011	2	Gasket		(18671)
9	25167	1	Hollow screw		
10	838870	1	Oil return pipe		
11	860105	1	Gasket		
12	945444	2	Flange screw		
13	943474	2	Hose clamp		
14	466328	1	Rubber hose		
15	843879	1	Elbow nipple		
16	820851	2	Clamp		
17	946544	1	Flange screw		
18	945407	1	Flange nut		
19	838744	1	Tube		REPLACED BY AIR VENT HOSE 860229, 1EA PLUG 960629 AND 1EA GASKET 11994
			* Bulletin 44-14	44-14-EN	Venting Pipe
19A	860229	1	Air vent hose		TURBO-HEAT EXCHANGER-THERMOSTAT HOUSING
20	846216	1	Hollow screw		
21	18665	1	Gasket		
22	11994	3	Gasket		
23	969299	1	Hollow screw		(74040)
24	965175	1	Flange screw		
25	952624	1	Clamp		
26	838829	1	Bracket		
27	946329	2	Flange screw		L = 25 MM ALT
	946472	2	Flange screw		L = 30 MM ALT
28	838674	1	Air filter		
28A	858488	1	* Air filter insert		
28B	859729	1	* Knob		
29	945407	2	Flange nut		
30	943481	1	Hose clamp		
31	838855	1	Sealing ring		

TAMD31A



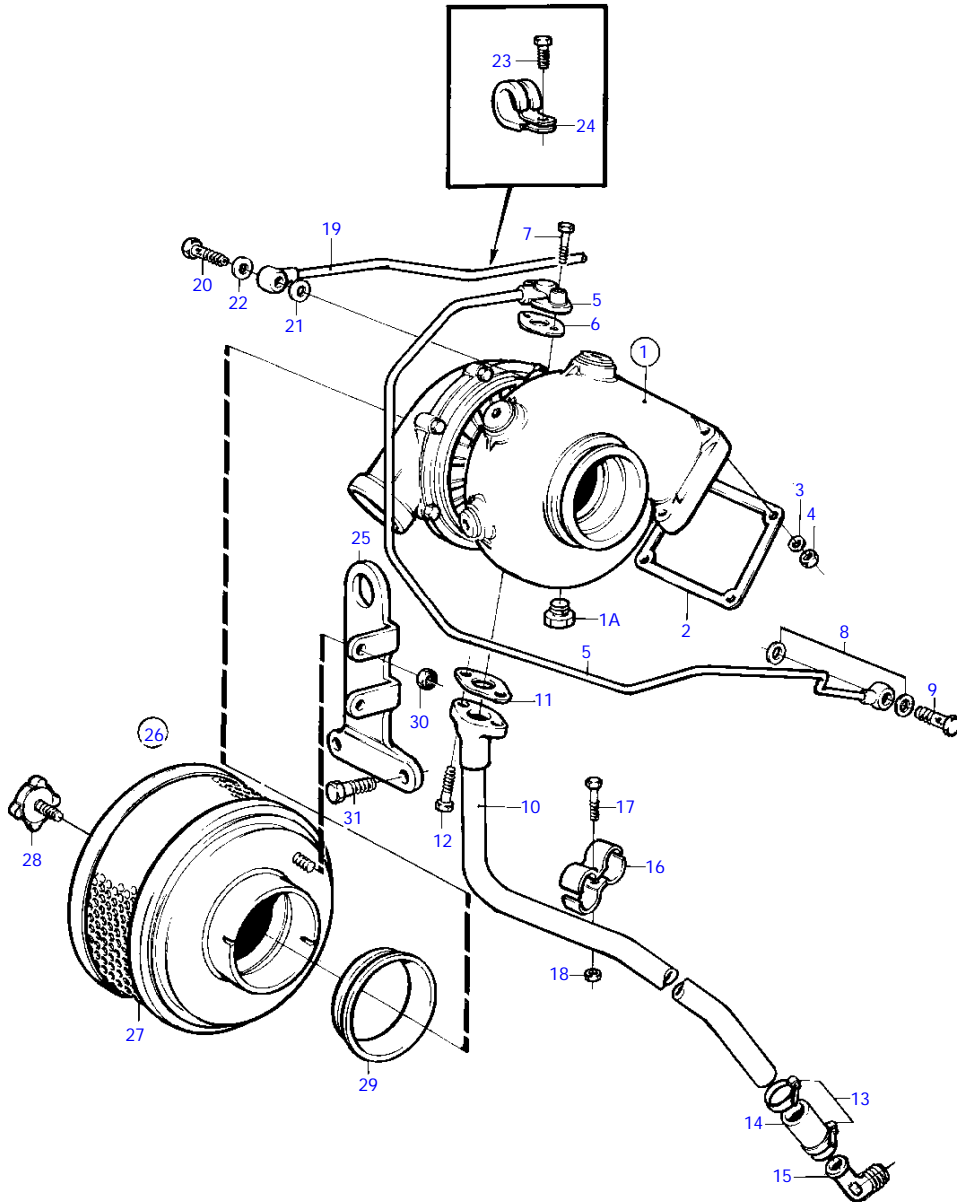
TAMD31A

REF	PART NO.	QTY	DESCRIPTION	SEE SEC.	NOTES
1	838695	1	Turbocharger		ALSO AVAILABLE AS AN EXCHANGE PART.
			*	19152	
1A	192134	1	Plug		
2	859111	1	Gasket		
3	955895	4	Washer		
4	940183	4	Hexagon nut		
5	838868	1	Oil pressure pipe		
6	420641	1	Gasket		
7	946671	1	Flange screw		L = 30 MM
	945444	1	Flange screw		L = 25 MM
8	969011	2	Gasket		(18671)
9	25167	1	Hollow screw		
10	838870	1	Oil return pipe		
11	860105	1	Gasket		
12	945444	2	Flange screw		
13	943474	2	Hose clamp		
14	466328	1	Rubber hose		
15	843879	1	Elbow nipple		
16	820851	2	Clamp		
17	946544	1	Flange screw		
18	945407	1	Flange nut		
19	858897	1	Air vent pipe		TURBO-THERMOSTAT HOUSING, REPL BY 860214
	860214	1	Air vent hose		TURBO-THERMOSTAT HOUSING
20	846216	1	Hollow screw		
21	18665	1	Gasket		
22	11994	1	Gasket		
23	945407	2	Flange nut		
24	965175	1	Flange screw		
25	952624	1	Clamp		
26	838829	1	Bracket		
27	946329	2	Flange screw		L = 25 MM ALT
	946472	2	Flange screw		L = 30 MM ALT
28	838674	1	Air filter		
28A	858488	1	* Air filter insert		
28B	859729	1	* Knob		
29	838855	1	Sealing ring		
30	943481	1	Hose clamp		



REF	PART NO.	QTY	DESCRIPTION	SEE SEC.	NOTES
1	838695	1	Turbocharger		ALSO AVAILABLE AS AN EXCHANGE PART.
			*	19152	
2	859111	1	Gasket		
3	955895	4	Washer		
4	940183	4	Hexagon nut		
5	838868	1	Oil pressure pipe		
6	420641	1	Gasket		
7	946671	1	Flange screw		L = 30 MM
	945444	1	Flange screw		L = 25 MM
8	969011	2	Gasket		(18671)
9	25167	1	Hollow screw		
10	838870	1	Oil return pipe		
11	860105	1	Gasket		
12	945444	2	Flange screw		
13	943474	2	Hose clamp		
14	466328	1	Rubber hose		
15	843879	1	Elbow nipple		
16	820851	2	Clamp		
17	946544	1	Flange screw		
18	945407	1	Flange nut		
19	838744	1	Tube		REPLACED BY AIR VENT HOSE 860229, 1EA PLUG 960629 AND 1EA GASKET 11994, *
			Bulletin 44-14	44-14-EN	Venting Pipe
19				19189	
19A	860229	1	Air vent hose		TURBO-HEAT EXCHANGER-THERMOSTAT HOUSING
20	846216	1	Hollow screw		
21	11994	3	Gasket		
22	18665	1	Gasket		
23	969299	1	Hollow screw		(74040)
24	965175	1	Flange screw		
25	952624	1	Clamp		
26	838829	1	Bracket		
27	946329	2	Flange screw		L = 25 MM ALT
	946472	2	Flange screw		L = 30 MM ALT
28	838674	1	Air filter		
29	858488	1	* Air filter insert		
30	859729	1	* Knob		
31	192134	1	Plug		
32	945407	2	Flange nut		
33	838855	1	Sealing ring		
34	943481	1	Hose clamp		

TMD31B

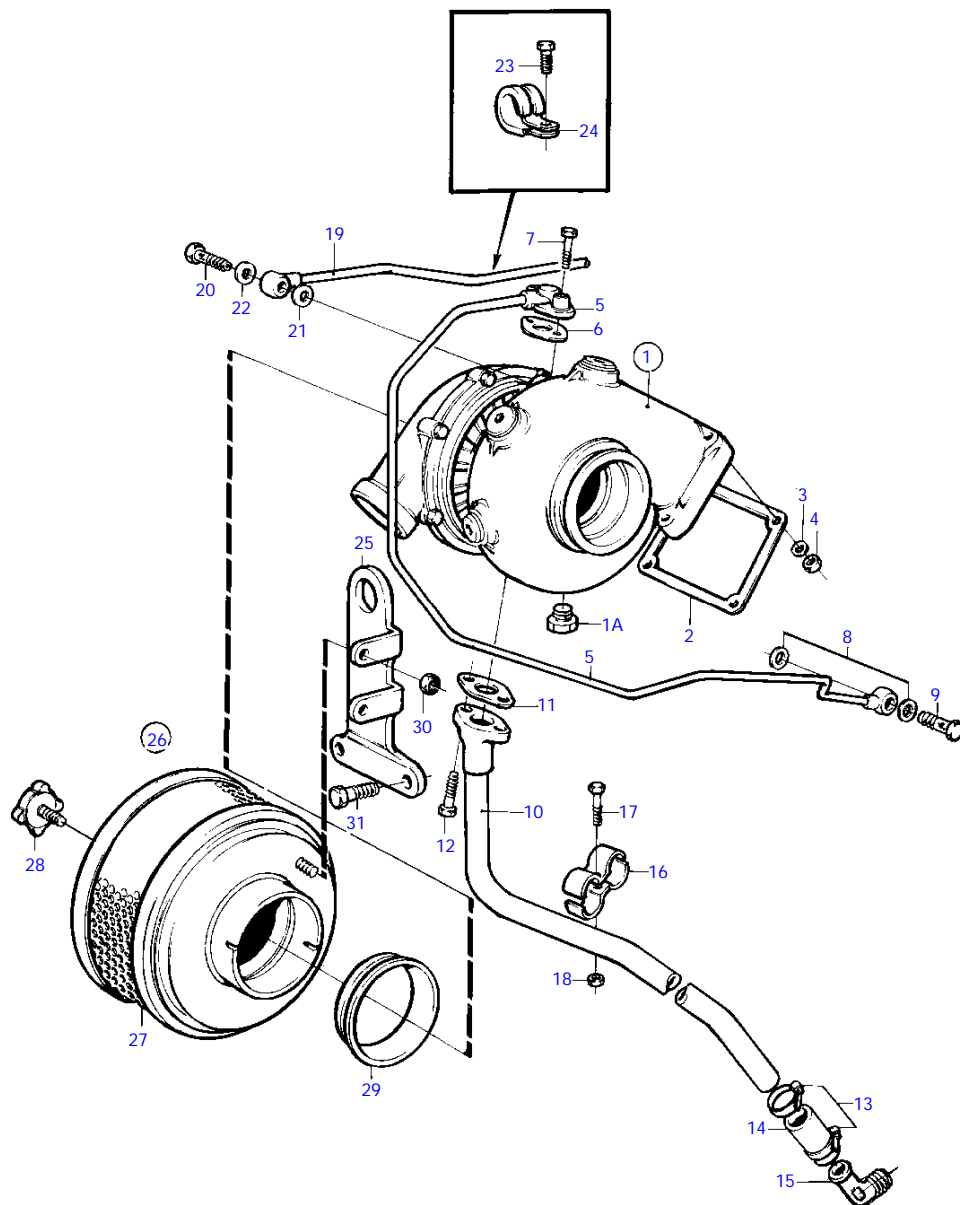


10812

TMD31B

REF	PART NO.	QTY	DESCRIPTION	SEE SEC.	NOTES
1	838695	1	Turbocharger		ALSO AVAILABLE AS AN EXCHANGE PART.
			*	19152	
1A	192134	1	Plug		
2	859111	1	Gasket		
3	955895	4	Washer		
4	940183	4	Hexagon nut		
5	838868	1	Oil pressure pipe		
6	420641	1	Gasket		
7	945444	1	Flange screw		L = 25 MM
	946671	1	Flange screw		L = 30 MM
8	969011	2	Gasket		
9	25167	1	Hollow screw		
10	838870	1	Oil return pipe		
11	860105	1	Gasket		
12	945444	2	Flange screw		
13	943474	2	Hose clamp		
14	466328	1	Rubber hose		
15	843879	1	Elbow nipple		
16	820851	2	Clamp		
17	946544	1	Flange screw		
18	945407	1	Flange nut		
19	860229	1	Air vent hose		TURBO-HEAT EXCHANGER-THERMOSTAT HOUSING
20	846216	1	Hollow screw		
21	18665	1	Gasket		
22	11994	1	Gasket		
23	965175	1	Flange screw		
24	952624	1	Clamp		
25	838829	1	Bracket		
26	838674	1	Air filter		
27	858488	1	* Air filter insert		
28	859729	1	* Knob		
29	838855	1	Sealing ring		
30	945407	2	Flange nut		
31	946329	2	Flange screw		

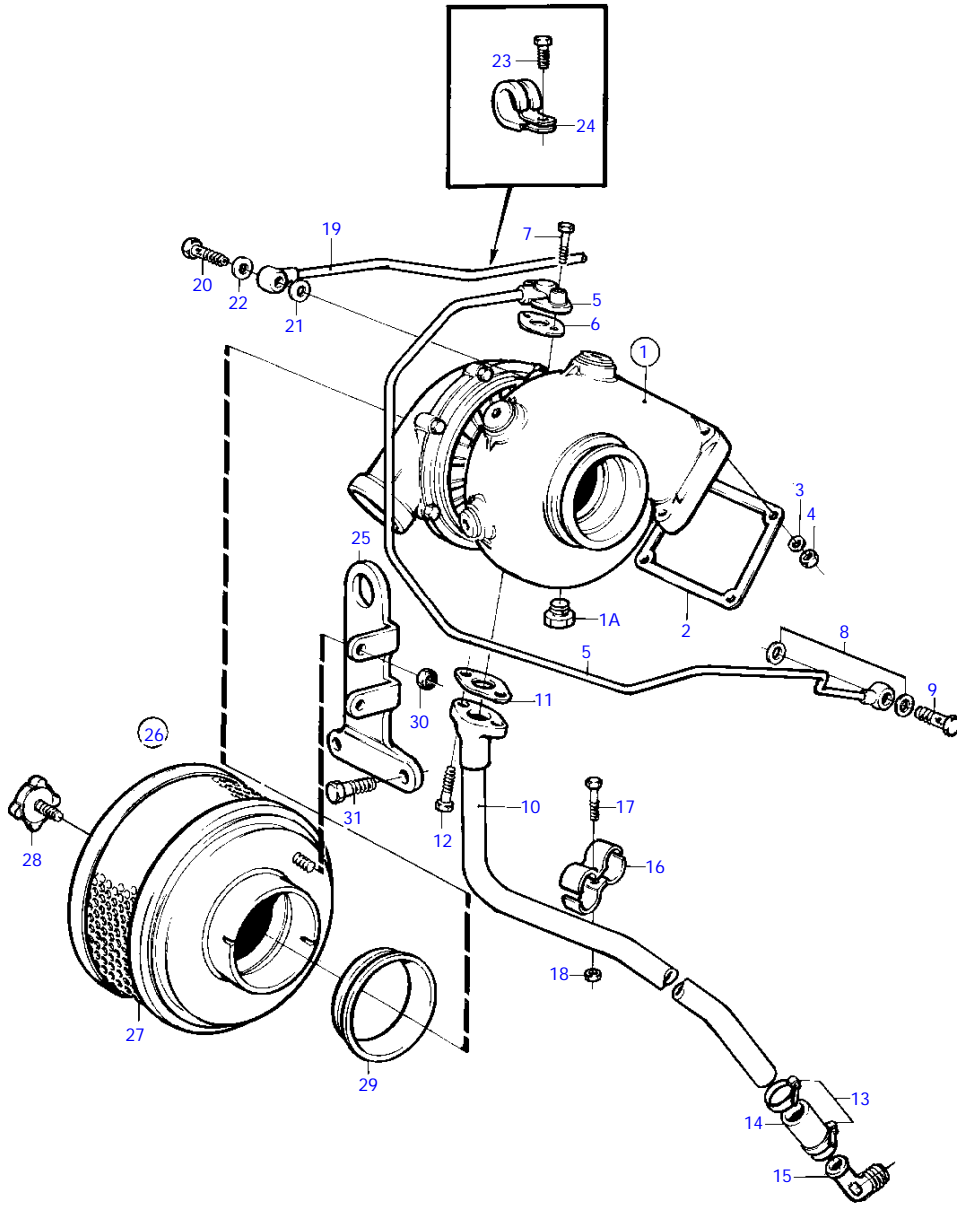
TAMD31B



10812

TAMD31B

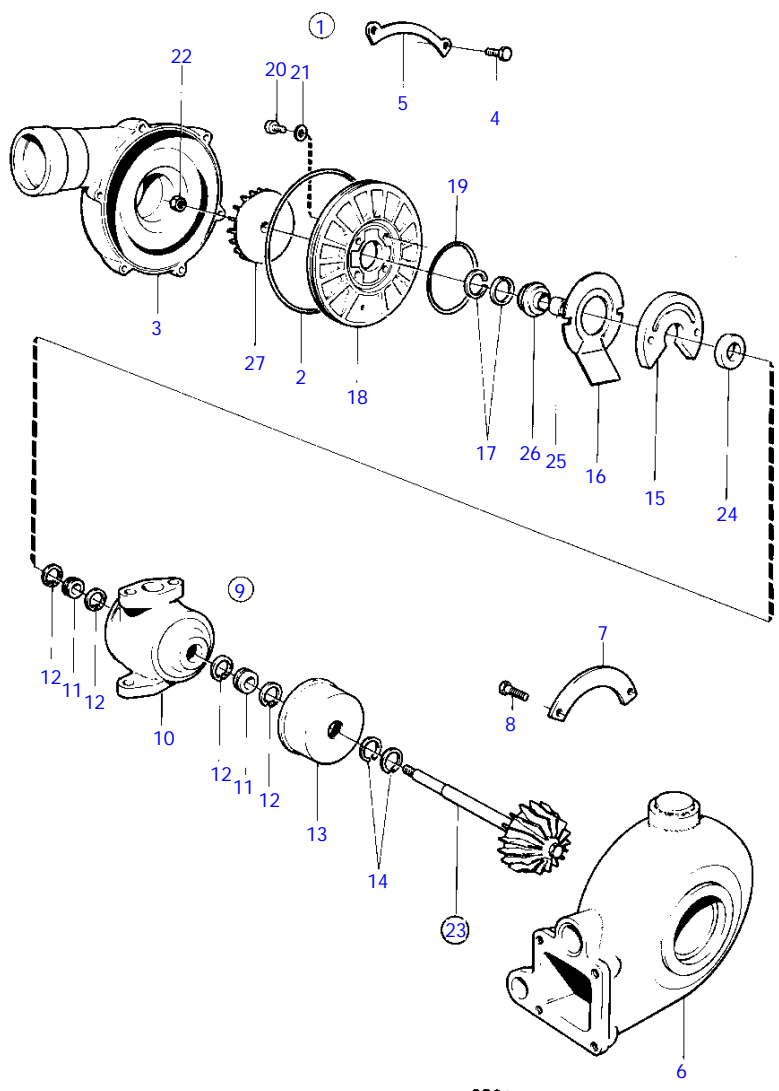
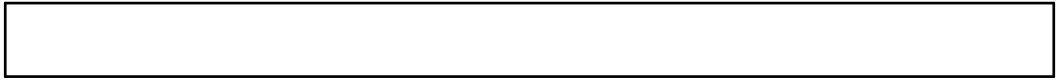
REF	PART NO.	QTY	DESCRIPTION	NOTES
1	838695	1	Turbocharger	ALSO AVAILABLE AS AN EXCHANGE PART.
1A	192134	1	Plug	
2	859111	1	Gasket	
3	955895	4	Washer	
4	940183	4	Hexagon nut	
5	838868	1	Oil pressure pipe	
6	420641	1	Gasket	
7	945444	1	Flange screw	L = 25 MM
	946671	1	Flange screw	L = 30 MM
8	969011	2	Gasket	
9	25167	1	Hollow screw	
10	838870	1	Oil return pipe	
11	860105	1	Gasket	
12	945444	2	Flange screw	
13	943474	2	Hose clamp	
14	466328	1	Rubber hose	
15	843879	1	Elbow nipple	
16	820851	2	Clamp	
17	946544	1	Flange screw	
18	945407	1	Flange nut	
19	860229	1	Air vent hose	TURBO-HEAT EXCHANGER-THERMOSTAT HOUSING
20	846216	1	Hollow screw	
21	18665	1	Gasket	
22	11994	1	Gasket	
23	965175	1	Flange screw	
24	952624	1	Clamp	
25	838829	1	Bracket	
26	838674	1	Air filter	
27	858488	1	* Air filter insert	
28	859729	1	* Knob	
29	838855	1	Sealing ring	
30	945407	2	Flange nut	
31	946329	1	Flange screw	L = 25 MM
	946472	1	Flange screw	L = 30 MM



10812

AD31B

REF	PART NO.	QTY	DESCRIPTION	NOTES
1	838695	1	Turbocharger	ALSO AVAILABLE AS AN EXCHANGE PART.
1A	192134	1	Plug	
2	859111	1	Gasket	
3	955895	4	Washer	
4	940183	4	Hexagon nut	
5	838868	1	Oil pressure pipe	
6	420641	1	Gasket	
7	945444	1	Flange screw	L = 25 MM
	946671	1	Flange screw	L = 30 MM
8	969011	2	Gasket	
9	25167	1	Hollow screw	
10	838870	1	Oil return pipe	
11	860105	1	Gasket	
12	945444	2	Flange screw	
13	943474	2	Hose clamp	
14	466328	1	Rubber hose	
15	843879	1	Elbow nipple	
16	820851	2	Clamp	
17	946544	1	Flange screw	
18	945407	1	Flange nut	
19	860229	1	Air vent hose	TURBO-HEAT EXCHANGER-THERMOSTAT HOUSING
20	846216	1	Hollow screw	
21	18665	1	Gasket	
22	11994	1	Gasket	
23	965175	1	Flange screw	
24	952624	1	Clamp	
25	838829	1	Bracket	
26	838674	1	Air filter	
27	858488	1	* Air filter insert	
28	859729	1	* Knob	
29	838855	1	Sealing ring	
30	945407	2	Flange nut	
31	946329	1	Flange screw	L = 25 MM
	946472	1	Flange screw	L = 30 MM

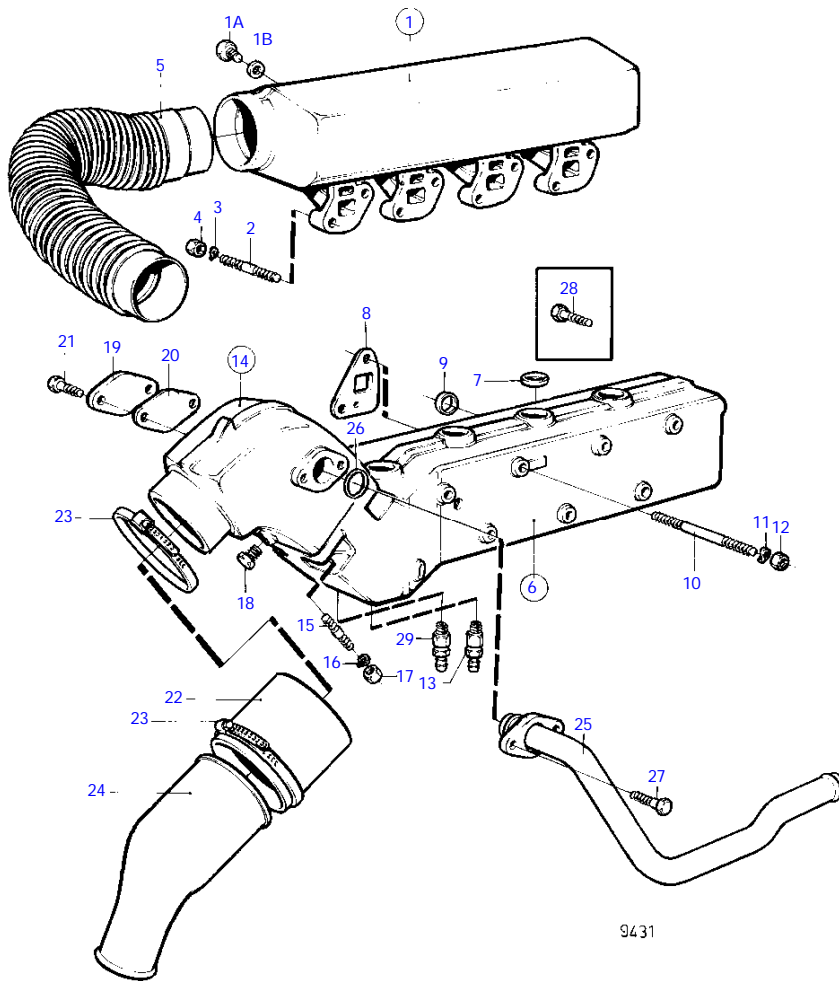


--

REF	PART NO.	QTY	DESCRIPTION	NOTES
1	838695	1	Turbocharger	ALSO AVAILABLE AS AN EXCHANGE PART.
2	838567	1	* O-ring	
3		1	* COMPRESSOR HOUSING	
4	858661	8	* Hexagon screw	
5	858662	4	* Segment	OBSOLETE PART
6		1	* TURBINE HOUSING	
7	858664	3	* Segment	OBSOLETE PART
8	955293	6	* Hexagon screw	
9	858705	1	* Bearing housing	OBSOLETE PART
10		1	* BEARING HOUSING	
11		2	* BUSHING	
12		4	* LOCK RING	
13	858668	1	* Heat shield	OBSOLETE PART
14		2	* PISTON RING	
15		1	* BEARING	
16		1	* OIL SLINGER	
17		1	* PISTON RING	
18		1	* PRESSURE PLATE	
19		1	* O-RING	
20		4	* SCREW	
21		4	* WASHER	
22		1	* NUT	
23	858707	1	* Rotor	
24	844000	1	* Thrust ring	OBSOLETE PART
25	845050	1	* Sleeve	OBSOLETE PART
26	858675	1	* Seal	OBSOLETE PART
27	858708	1	* Compressor wheel, COMPRESSOR WHEEL	OBSOLETE PART
	858709	1	Repair kit	SEE GROUP 10A



MD31A

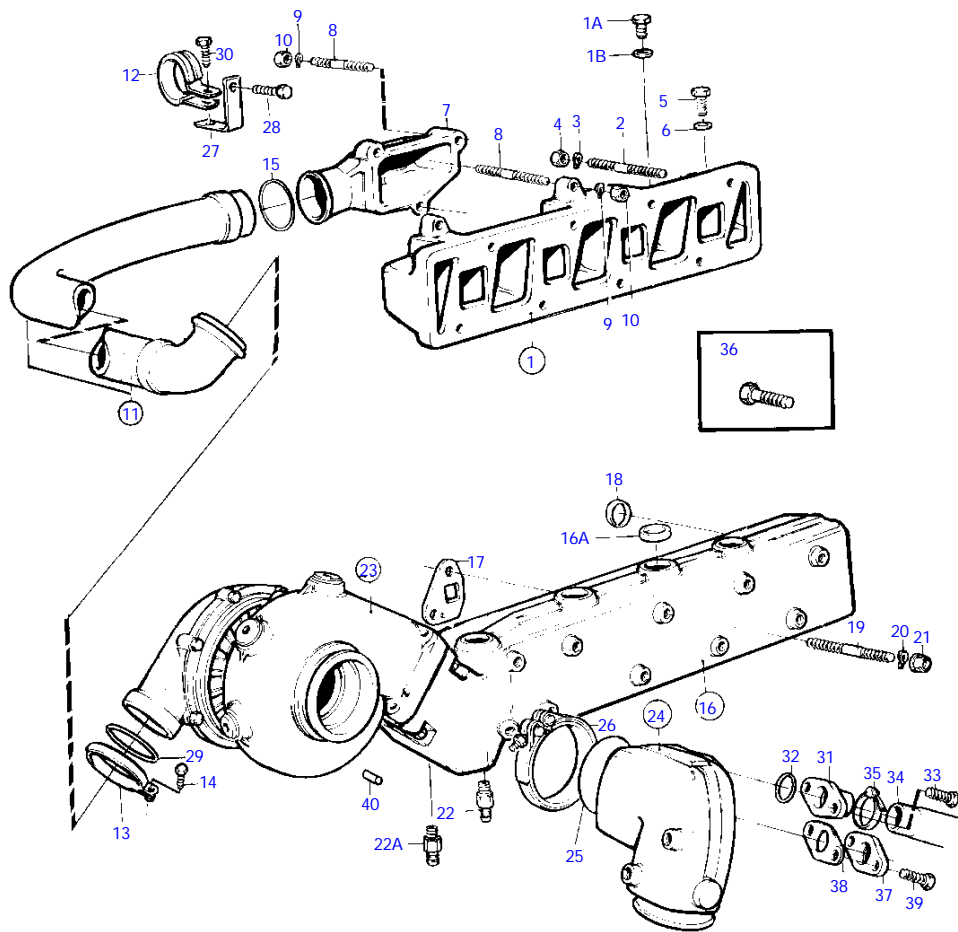


MD31A

REF	PART NO.	QTY	DESCRIPTION	NOTES
1	858247	1	Inlet pipe	PRODUCT NO.867956,867959
	859436	1	Inlet pipe	PRODUCT NO.868159,868160, OBSOLETE PART
1A	960634	4	* Plug	FOR 859436
1B	947627	4	* Gasket	FOR 859436
2	924068	8	Stud	
3	941907	8	Spring washer	
4	945408	8	Flange nut	
5	838888	1	Connection pipe	
6	838685	1	Exhaust pipe	
7	946780	8	* Cap plug	
8	838673	4	Gasket	REPL BY 876144
	876144	2	Gasket kit	
9	838766	1	Sealing ring	
10	952999	6	Stud	L = 110 MM
	953003	1	Stud	L = 130 MM
	953007	1	Stud	L = 150 MM
11	941908	5	Spring washer	
12	971095	8	Flange nut	
13	949918	1	Shut-off cock	
14	844091	1	Exhaust manifold	
15	924079	4	* Stud	
16	955895	4	Washer	
17	940183	4	Hexagon nut	
18	192134	1	Plug	
19	844093	1	Flange	
20	859002	1	Gasket	(843042)
21	946544	2	Flange screw	
22	846778	1	Exhaust hose	
23	853012	2	Hose clamp	
24	838313	1	Exhaust pipe	OBSOLETE PART
25	858297	1	Coolant pipe	PRODUCT NO.867965,867966,868321,868325,868327, PRODUCT NO.867959,868159
	858482	1	Coolant pipe	PRODUCT NO.867965,867966,868321,868325,868327, PRODUCT NO.867956,868160
26	842913	1	Sealing ring	
27	946544	2	Flange screw	
28	970964	1	Hexagon screw	(955334)
29	947893	1	Shut-off cock	



TMD31A

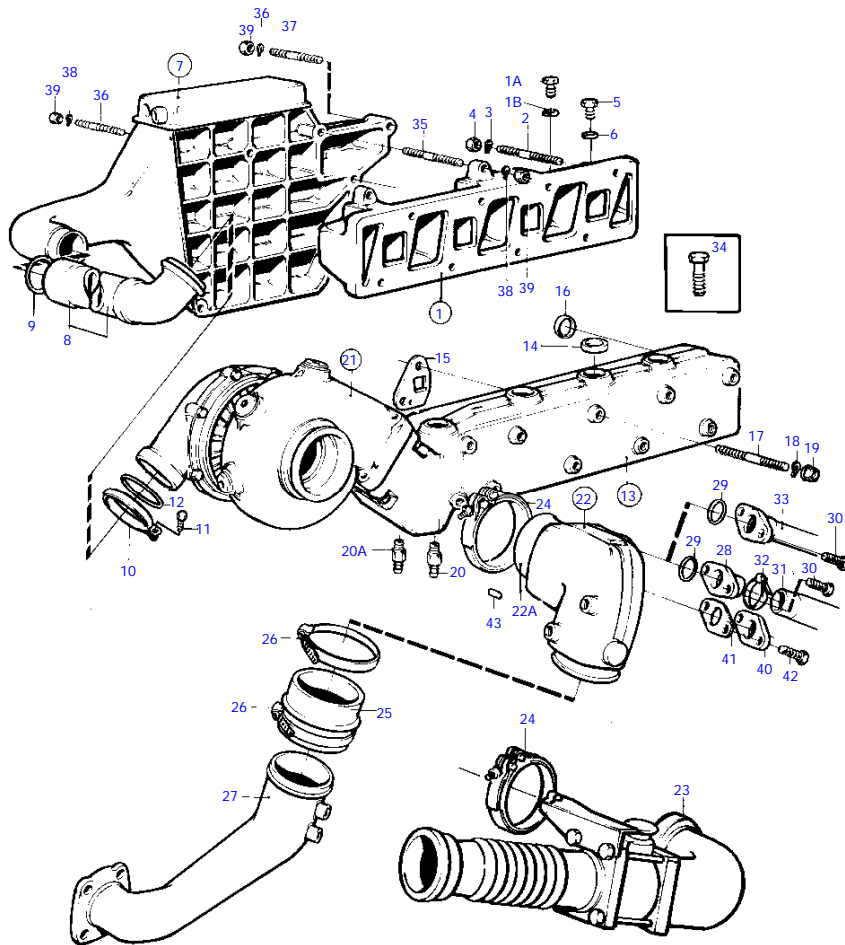


10283

TMD31A

REF	PART NO.	QTY	DESCRIPTION	SEE SEC.	NOTES
1	838689	1	Inlet pipe		
	859299	1	Inlet pipe		
1A	960634	2	* Plug		FOR 859299
1B	947627	2	* Gasket		FOR 859299
2	924068	6	Stud		
3	941907	6	Spring washer		
4	945408	6	Flange nut		
5	960632	1	Plug		
6	947624	1	Gasket		
7	838857	1	Pipe connection		
8	17942	2	Stud		L = 110 MM
	953049	1	Stud		L = 50 MM
9	941907	3	Spring washer		
10	945408	3	Flange nut		
11	838867	1	Connection pipe		
12	32447	1	* Clamp		
13	838864	1	V-band clamp		
14	947542	1	Flange screw		
15	471449	1	O-ring		
16	860460	1	Exhaust pipe		
16A	946780	8	* Cap plug		
17	838673	4	Gasket		REPL BY 876144
	876144	2	Gasket kit		
18	838766	1	Sealing ring		
19	952999	4	Stud		L = 110 MM
	953001	2	Stud		L = 120 MM
	953003	1	Stud, STUD BOLT		L = 130 MM
				19188	
	953007	1	Stud, STUD BOLT		L = 150 MM
				19188	
20	941908	8	Spring washer		
21	971095	8	Flange nut		
22	949918	1	Shut-off cock		
22A	949918	1	Shut-off cock		
23		1	TURBO	19148	
24	858481	1	Exhaust riser, EXHAUST BEND		
			Bulletin 44-16	44-16-EN	Overhaul kit, Exhaust Bend
24			*	19160	
25	859052	1	Gasket		(845408)
26	842993	1	V-band clamp		
27	838866	1	Bracket		
28	946470	1	Flange screw		
29	967944	1	O-ring		
30	946173	1	Flange screw		
31	858659	1	Hose connection		
32	842913	1	Sealing ring		
33	946544	2	Flange screw		
34	944386	1	Rubber hose		HEAT EXCHANGER-EXHAUST PIPE., L = 335 MM
35	943475	1	Hose clamp		
36	970964	1	Hexagon screw		(955964)
37	844093	1	Flange		
38	859002	1	Gasket		(843042)
39	946544	2	Flange screw		
40	951930	1	Spring pin		

TAMD31A

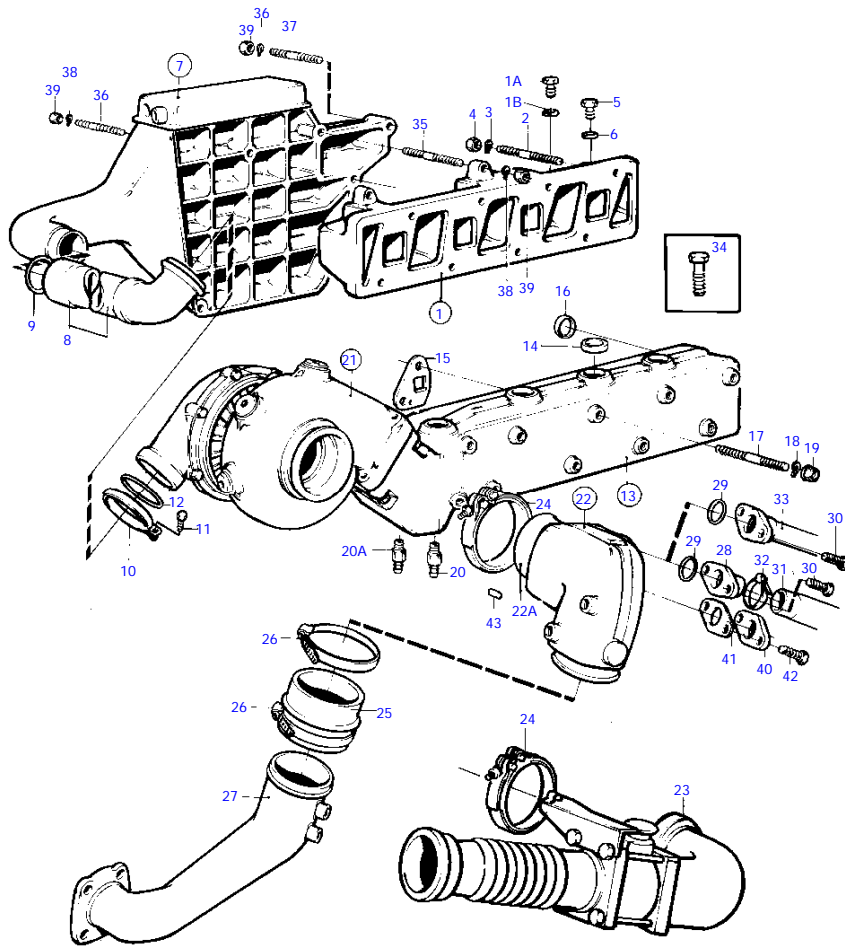


9398

TAMD31A

REF	PART NO.	QTY	DESCRIPTION	SEE SEC.	NOTES
1	838689	1	Inlet pipe		REPL BY 859299
	859299	1	Inlet pipe		
1A	960634	2	* Plug		PRODUCT NO.867965,867966,868321,868322,868325,868326, FOR 858299
1B	947627	2	* Gasket		PRODUCT NO.867965,867966,868321,868322,868325,868326, FOR 858299
2	924068	6	Stud		
3	941907	6	Spring washer		
4	945408	6	Flange nut		
5	960632	1	Plug		
6	947624	1	Gasket		
7		1	AFTER COOLER		
			*	19162	
8	838693	1	Connection pipe		
9	471449	1	O-ring		
10	838864	1	V-band clamp		
11	947542	1	Flange screw		
12	967944	1	O-ring		
13	860460	1	Exhaust pipe		
14	946780	8	* Cap plug		
15	838673	4	Gasket		REPL BY 876144
	876144	2	Gasket kit		
16	838766	1	Sealing ring		
17	952999	4	Stud		L = 110 MM
	953001	2	Stud		L = 120 MM
	953003	1	Stud, STUD BOLT		L = 130 MM
				19188	
	953007	1	Stud, STUD BOLT		L = 150 MM
				19188	
18	941907	6	Spring washer		
19	971095	8	Flange nut		
20	949918	1	Shut-off cock		
20A	947893	1	Shut-off cock		
21		1	TURBO	19148	
22	858481	1	Exhaust riser, EXHAUST BEND		FOR ENGINES WITH WET EXHAUST LINE
			Bulletin 44-16	44-16-EN	Overhaul kit, Exhaust Bend
22			*	19160	
			*	19160	
22A	859052	1	Gasket		(845408)
23		1	EXHAUST BEND		FOR ENGINES WITH DRY EXHAUST LINE
				19161	
24	842993	1	V-band clamp		
28	858659	1	Hose connection		
29	842913	1	Sealing ring		
30	946544	2	Flange screw		
31	944386	1	Rubber hose		HEAT EXCHANGER-EXHAUST PIPE., L = 335 MM
32	943475	2	Hose clamp		
34	970964	1	Hexagon screw		(955334)
35	953049	1	Stud		L = 50 MM
36	838854	1	Stud		L = 185 MM
37	17942	1	Stud		L = 110 MM
38	941907	3	Spring washer		
39	955782	3	Hexagon nut		
40	844093	1	Flange		
41	859002	1	Gasket		(843042)
42	946544	2	Flange screw		
43	951930	1	Spring pin		

AQAD31A

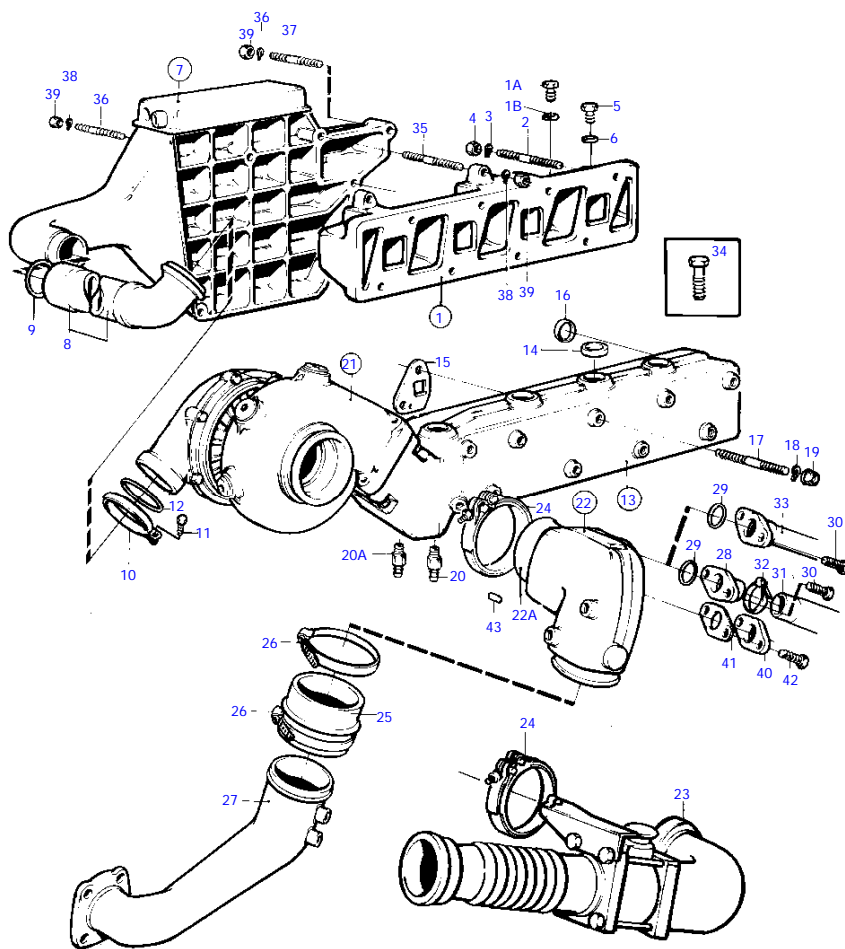


9398

AQAD31A

REF	PART NO.	QTY	DESCRIPTION	SEE SEC.	NOTES
1	838689	1	Inlet pipe		REPL BY 859299
	859299	1	Inlet pipe		
1A	960634	2	* Plug		PRODUCT NO.867965,867966,868321,868322,868325,868326, FOR 858299
1B	947627	2	* Gasket		PRODUCT NO.867965,867966,868321,868322,868325,868326, FOR 858299
2	924068	6	Stud		
3	941907	6	Spring washer		
4	945408	6	Flange nut		
5	960632	1	Plug		
6	947624	1	Gasket		
7		1	AFTER COOLER		
8	838693	1	Connection pipe		
9	471449	1	O-ring		
10	838864	1	V-band clamp		
11	947542	1	Flange screw		
12	967944	1	O-ring		
13	860460	1	Exhaust pipe		
14	946780	8	* Cap plug		
15	838673	4	Gasket		REPL BY 876144
	876144	2	Gasket kit		
16	838766	1	Sealing ring		
17	952999	4	Stud		L = 110 MM
	953001	2	Stud		L = 120 MM
	953003	1	Stud, STUD BOLT		L = 130 MM
	953007	1	Stud, STUD BOLT		L = 150 MM
18	941907	6	Spring washer		
19	971095	8	Flange nut		
20	949918	1	Shut-off cock		
20A	947893	1	Shut-off cock		
21		1	TURBO	19148	
22	858481	1	Exhaust riser, EXHAUST BEND		
			Bulletin 44-16	44-16-EN	Overhaul kit, Exhaust Bend
22A	859052	1	Gasket		(845408)
24	842993	1	V-band clamp		
25	858955	1	Exhaust hose		(858729)
26	943483	2	Hose clamp		
27	853718	1	Exhaust grommet		
29	842913	1	Sealing ring		
30	946544	2	Flange screw		
33	838862	1	Coolant pipe		HEAT EXCHANGER-EXHAUST PIPE.
34	970964	1	Hexagon screw		(955334)
35	953049	1	Stud		L = 50 MM
36	838854	1	Stud		L = 185 MM
37	17942	1	Stud		L = 110 MM
38	941907	3	Spring washer		
39	955782	3	Hexagon nut		
40	844093	1	Flange		
41	859002	1	Gasket		(843042)
42	946544	2	Flange screw		
43	951930	1	Spring pin		

AD31A



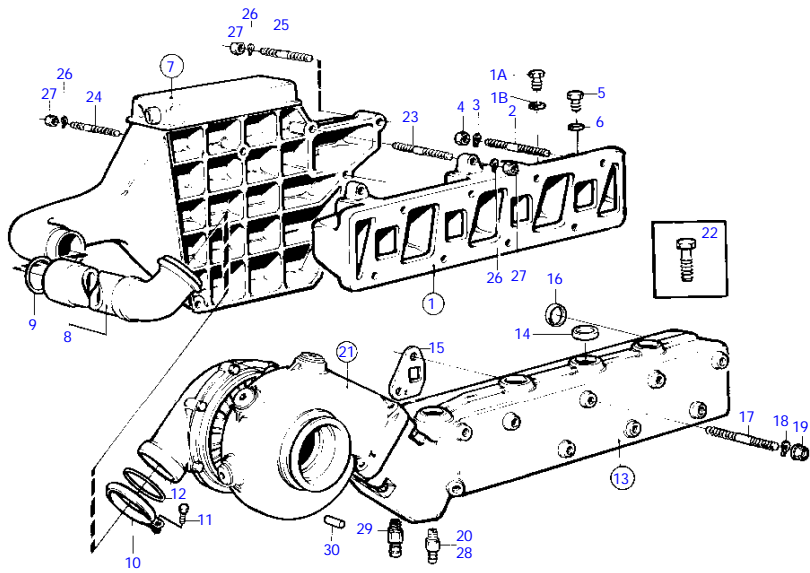
9398

AD31A

REF	PART NO.	QTY	DESCRIPTION	SEE SEC.	NOTES
1	838689	1	Inlet pipe		REPL BY 859299
	859299	1	Inlet pipe		
1A	960634	2	* Plug		PRODUCT NO.867965,867966,868321,868322,868325,868326, FOR 858299
1B	947627	2	* Gasket		PRODUCT NO.867965,867966,868321,868322,868325,868326, FOR 858299
2	924068	6	Stud		
3	941907	6	Spring washer		
4	945408	6	Flange nut		
5	960632	1	Plug		
6	947624	1	Gasket		
7		1	AFTER COOLER		
8	838693	1	Connection pipe		
9	471449	1	O-ring		
10	838864	1	V-band clamp		
11	947542	1	Flange screw		
12	967944	1	O-ring		
13	860460	1	Exhaust pipe		
14	946780	8	* Cap plug		
15	838673	4	Gasket		REPL BY 876144
	876144	2	Gasket kit		
16	838766	1	Sealing ring		
17	952999	4	Stud		L = 110 MM
	953001	2	Stud		L = 120 MM
	953003	1	Stud, STUD BOLT		L = 130 MM
	953007	1	Stud, STUD BOLT		L = 150 MM
18	941907	6	Spring washer		
19	971095	8	Flange nut		
20	949918	1	Shut-off cock		
20A	947893	1	Shut-off cock		
21		1	TURBO	19148	
22	858481	1	Exhaust riser, EXHAUST BEND		
			Bulletin 44-16	44-16-EN	Overhaul kit, Exhaust Bend
22A	859052	1	Gasket		(845408)
24	842993	1	V-band clamp		
25	858955	1	Exhaust hose		(858729)
26	943483	2	Hose clamp		
27	853718	1	Exhaust grommet		
29	842913	1	Sealing ring		
30	946544	2	Flange screw		
33	838862	1	Coolant pipe		HEAT EXCHANGER-EXHAUST PIPE.
34	970964	1	Hexagon screw		(955334)
35	953049	1	Stud		L = 50 MM
36	838854	1	Stud		L = 185 MM
37	17942	1	Stud		L = 110 MM
38	941907	3	Spring washer		
39	955782	3	Hexagon nut		
40	844093	1	Flange		
41	859002	1	Gasket		(843042)
42	946544	2	Flange screw		
43	951930	1	Spring pin		

26 | **INLET AND EXHAUST MANIFOLD AND INSTALLATION COMPONENTS**

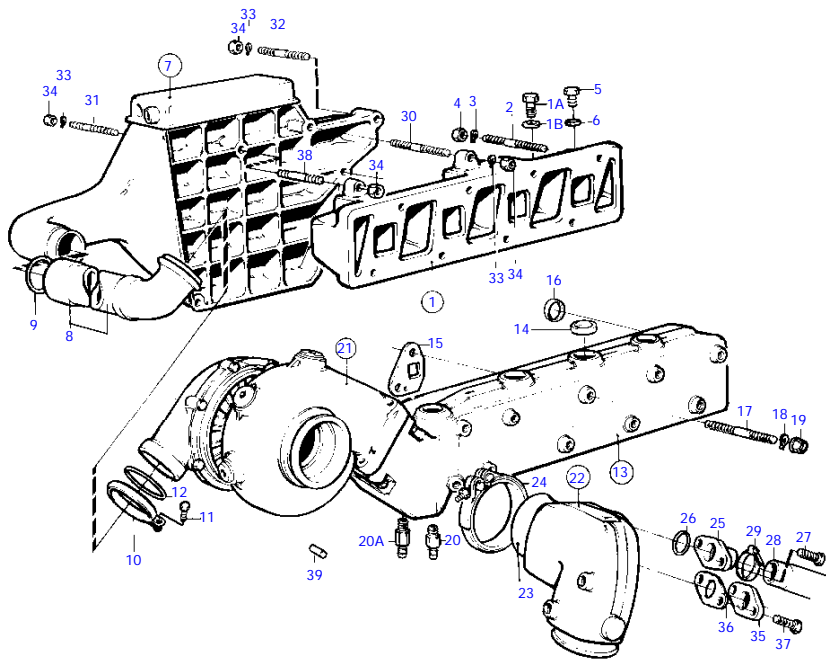
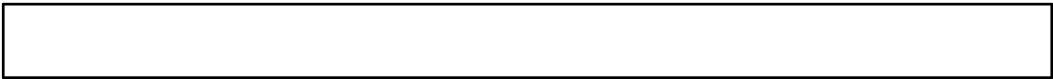
TAMD31A



9130

TAMD31A

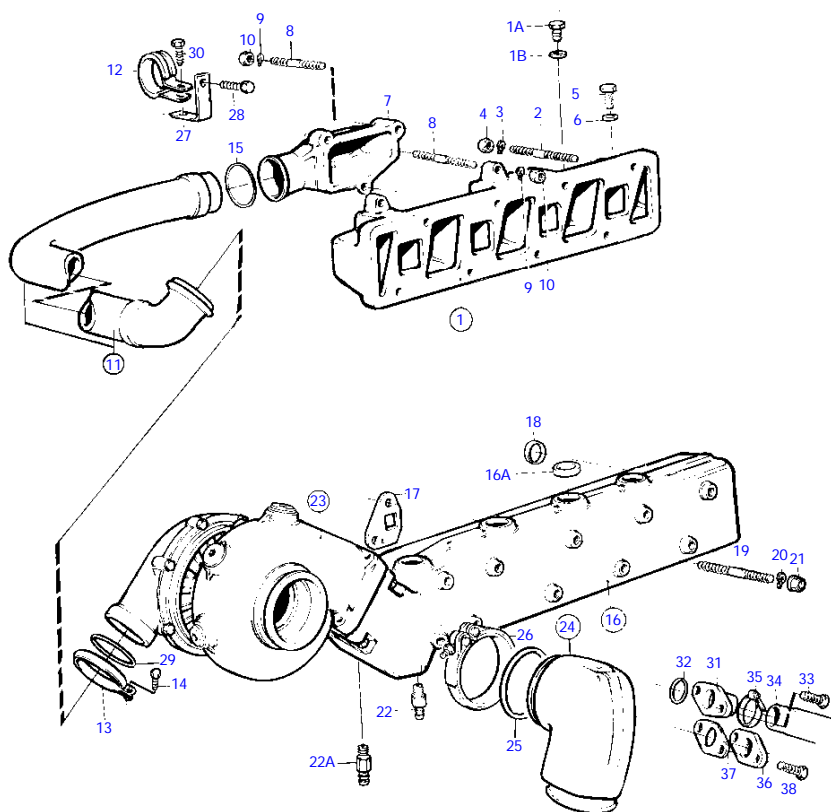
REF	PART NO.	QTY	DESCRIPTION	SEE SEC.	NOTES
1	838689	1	Inlet pipe		
	859299	1	Inlet pipe		
1A	960634	2	Plug		FOR 859299
1B	947627	2	Gasket		FOR 859299
2	924068	6	Stud		
3	941907	6	Spring washer		
4	945408	6	Flange nut		
5	960632	1	Plug		
6	947624	1	Gasket		
7		1	AFTER COOLER		
			*	19162	
8	838693	1	Connection pipe		
9	471449	1	O-ring		
10	838864	1	V-band clamp		
11	947542	1	Flange screw		
12	967944	1	O-ring		
13	860460	1	Exhaust pipe		
14	946780	8	* Cap plug		
15	838673	4	Gasket		REPL BY 876144
	876144	2	Gasket kit		
16	838766	1	Sealing ring		
17	952999	1	Stud		L = 110 MM
	953001	5	Stud		L = 120 MM
	953003	1	Stud		L = 130 MM
	953007	1	Stud		L = 150 MM
18	941907	6	Spring washer		
19	971095	8	Flange nut		
20	949918	2	Shut-off cock		
21		1	TURBO	19149	
22	970964	1	Hexagon screw		(955334)
23	953049	1	Stud		L = 50 MM
24	838854	1	Stud		L = 185 MM
25	17942	1	Stud		L = 110 MM
26	941907	3	Spring washer		
27	955782	3	Hexagon nut		
28	949918	1	Shut-off cock		
29	947893	1	Shut-off cock		
30	951930	1	Spring pin		



9384

REF	PART NO.	QTY	DESCRIPTION	SEE SEC.	NOTES
1	858997	1	Inlet pipe		
	859299	1	Inlet pipe		
1A	960634	4	* Plug		FOR 859299
1B	947627	4	* Gasket		FOR 859299
2	924068	6	Stud		
3	941907	6	Spring washer		
4	945408	6	Flange nut		
5	960632	1	Plug		
6	947624	1	Gasket		
7		1	AFTER COOLER		
			*	19164	
8	838693	1	Connection pipe		
9	471449	1	O-ring		
10	838864	1	V-band clamp		
11	947542	1	Flange screw		
12	967944	1	O-ring		
13	860460	1	Exhaust pipe		
14	946780	8	* Cap plug		
15	838673	4	Gasket		REPL BY 876144
	876144	2	Gasket kit		
16	838766	1	Sealing ring		
17	952999	4	Stud		L = 110 MM
	953001	2	Stud		L = 120 MM
	953003	1	Stud		L = 130 MM
	953007	1	Stud		L = 150 MM
18	941908	6	Spring washer		
19	971095	8	Flange nut		
20	949918	1	Shut-off cock		
20A	947893	1	Shut-off cock		
21		1	TURBO	19150	
22	858481	1	Exhaust riser		
			Bulletin 44-16	44-16-EN	Overhaul kit, Exhaust Bend
22			*	19160	
23	859052	1	Gasket		(845408)
24	842993	1	V-band clamp		
25	858659	1	Hose connection		
26	842913	1	Sealing ring		
27	946544	2	Flange screw		
28	944386	1	Rubber hose		HEAT EXCHANGER-EXHAUST PIPE., L = 335 MM
29	943475	2	Hose clamp		
30	953049	1	Stud		L = 50 MM
31	838854	1	Stud		L = 185 MM
32	17942	1	Stud		L = 110 MM
33	941907	3	Spring washer		
34	945408	4	Flange nut		
35	844093	1	Flange		
36	859002	1	Gasket		
37	946544	2	Flange screw		
38	953049	1	Stud		L = 50 MM
39	951930	1	Spring pin		

TMD31B



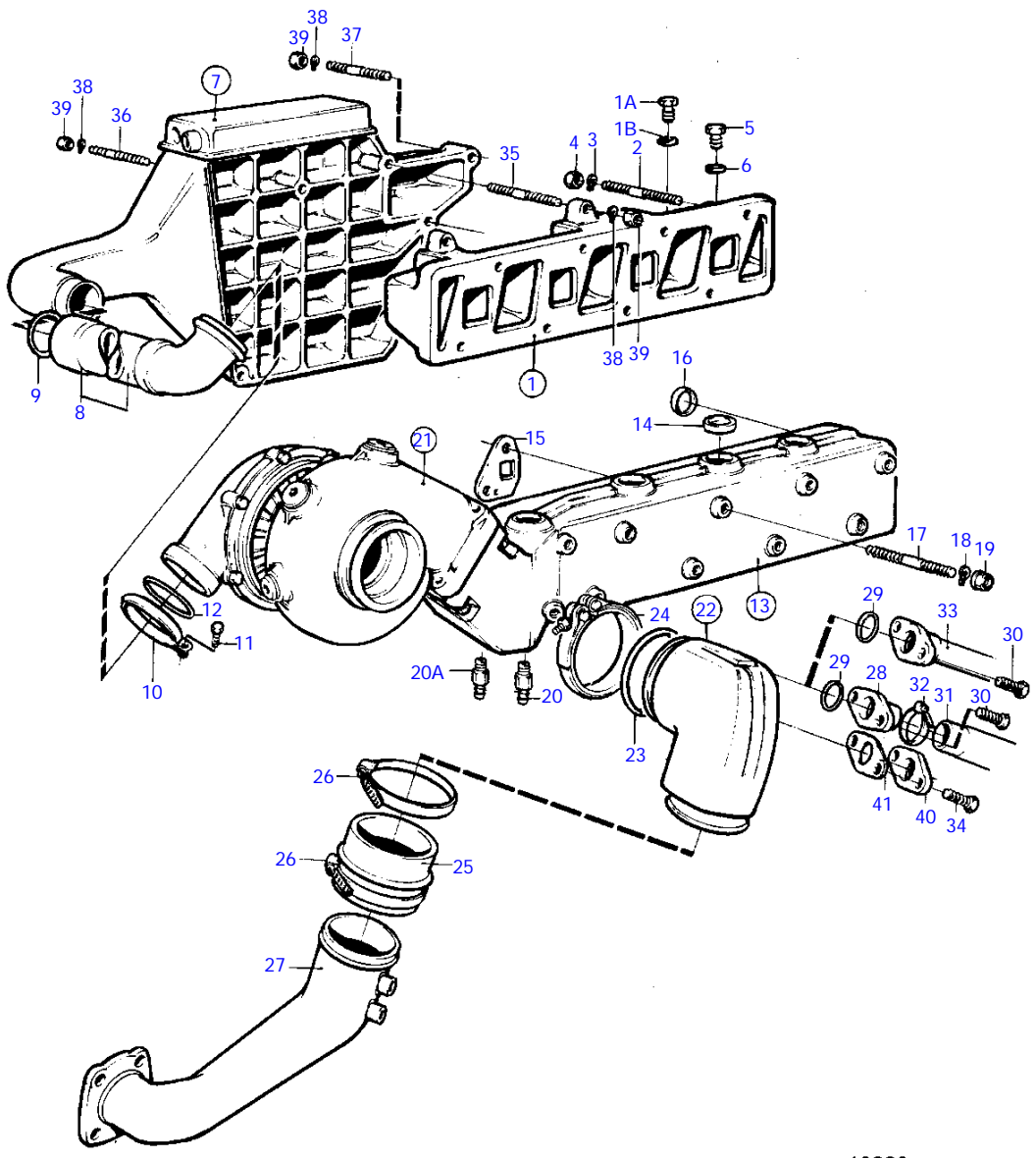
10225

TMD31B

REF	PART NO.	QTY	DESCRIPTION	SEE SEC.	NOTES
1	859299	1	Inlet pipe		
1A	960634	4	* Plug		
1B	947627	4	* Gasket		
2	924068	6	Stud		
3	941907	6	Spring washer		
4	945408	6	Flange nut		
5	960632	1	Plug		
6	947624	1	Gasket		
7	838857	1	Pipe connection		
8	953049	1	Stud		L = 50 MM
	17942	2	Stud		L = 110 MM
9	941907	3	Spring washer		
10	945408	3	Flange nut		
11	838867	1	Connection pipe		
12	32447	1	* Clamp		
13	838864	1	V-band clamp		
14	947542	1	Flange screw		
15	471449	1	O-ring		
16	860460	1	Exhaust pipe		
16A	946780	8	* Cap plug		
17	876144	2	Gasket kit		
18	838766	1	Sealing ring		
19	952999	4	Stud		L = 110 MM
	953001	2	Stud		L = 120 MM
	953003	1	Stud		L = 130 MM
	953007	1	Stud		L = 150 MM
20	941908	6	Spring washer		
21	971095	8	Flange nut		
22	949918	1	Shut-off cock		
22A	947893	1	Shut-off cock		
23		1	TURBO	19151	
24	859963	1	Exhaust riser		
25	859052	1	Gasket		
26	842993	1	V-band clamp		
27	838866	1	Bracket		
28	946470	1	Flange screw		
29	967944	1	O-ring		
30	946173	1	Flange screw		
31	858659	1	Hose connection		
32	842913	1	Sealing ring		
33	946544	2	Flange screw		
34	944386	1	Rubber hose		HEAT EXCHANGER-EXHAUST PIPE., L = 335 MM
35	943475	1	Hose clamp		
36	844093	1	Flange		
37	859002	1	Gasket		
38	946544	2	Flange screw		

26 INLET AND EXHAUST MANIFOLD AND INSTALLATION COMPONENTS: A

TAMD31B



10226 10226

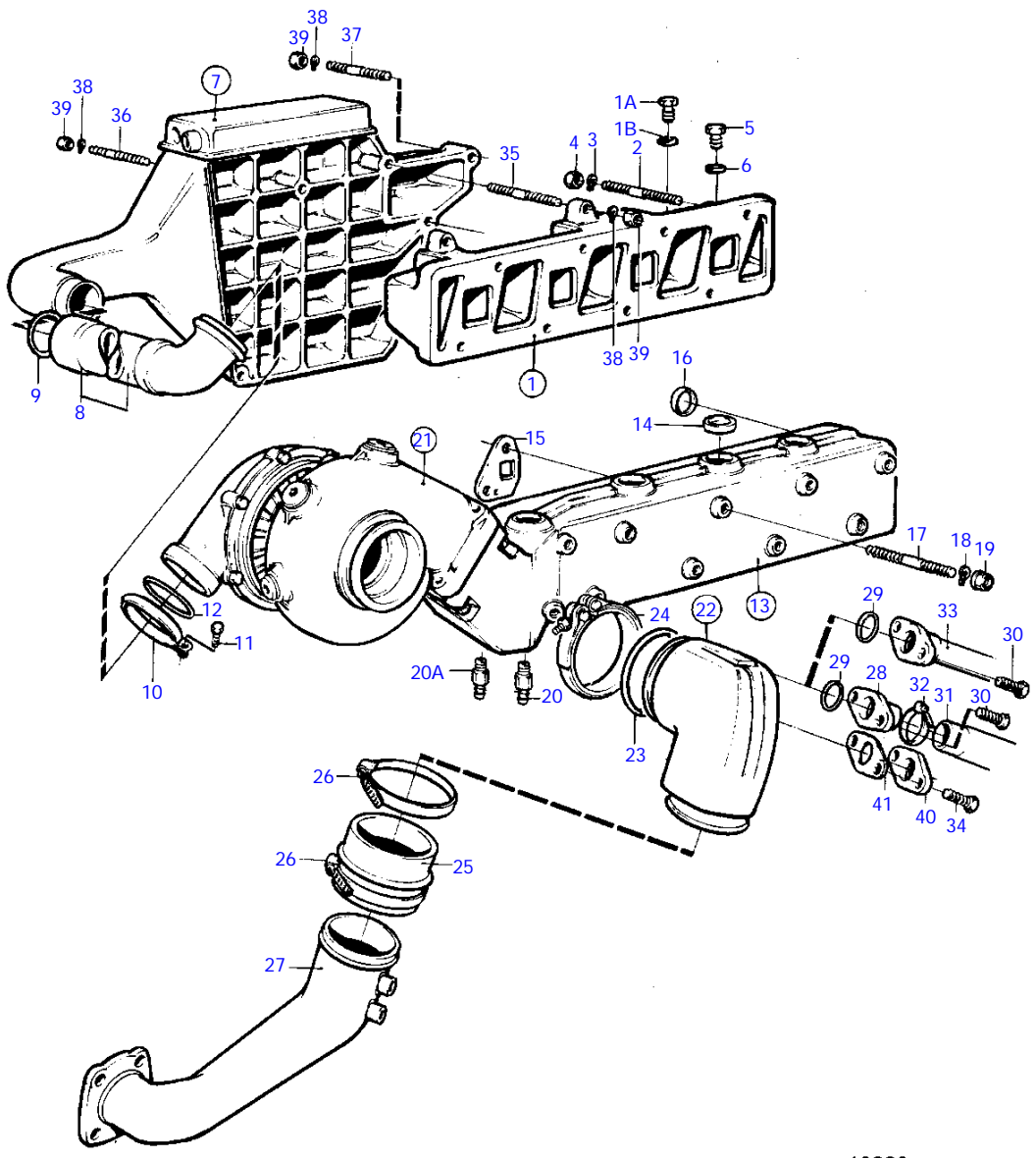


TAMD31B

REF	PART NO.	QTY	DESCRIPTION	SEE SEC.	NOTES
1	859299	1	Inlet pipe		
1A	960634	4	* Plug		
1B	947627	4	* Gasket		
2	924068	6	Stud		
3	941907	6	Spring washer		
4	945408	6	Flange nut		
5	960632	1	Plug		
6	947624	1	Gasket		
7		1	AFTER COOLER		
			*	19165	
8	838693	1	Connection pipe		
9	471449	1	O-ring		
10	838864	1	V-band clamp		
11	947542	1	Flange screw		
12	967944	1	O-ring		
13	860460	1	Exhaust pipe		
14	946780	8	* Cap plug		
15	876144	2	Gasket kit		
16	838766	1	Sealing ring		
17	952999	4	Stud		L = 110 MM
	953001	2	Stud		L = 120 MM
	953003	1	Stud		L = 130 MM
	953007	1	Stud		L = 150 MM
18	941907	6	Spring washer		
19	971095	8	Flange nut		
20	949918	1	Shut-off cock		
20A	947893	1	Shut-off cock		
21		1	TURBO	19151	
22	859963	1	Exhaust riser		
23	859052	1	Gasket		
24	842993	1	V-band clamp		
28	858659	1	Hose connection		
29	842913	1	Sealing ring		
30	946544	2	Flange screw		
31	944386	1	Rubber hose		HEAT EXCHANGER-EXHAUST PIPE., L = 335 MM
32	943475	2	Hose clamp		
34	946544	2	Flange screw		
35	953049	1	Stud		L = 50 MM
36	838854	1	Stud		L = 185 MM
37	17942	1	Stud		L = 110 MM
38	941907	3	Spring washer		
39	955782	3	Hexagon nut		
40	844093	1	Flange		
41	859002	1	Gasket		

26 INLET AND EXHAUST MANIFOLD AND INSTALLATION COMPONENTS: B

AD31B



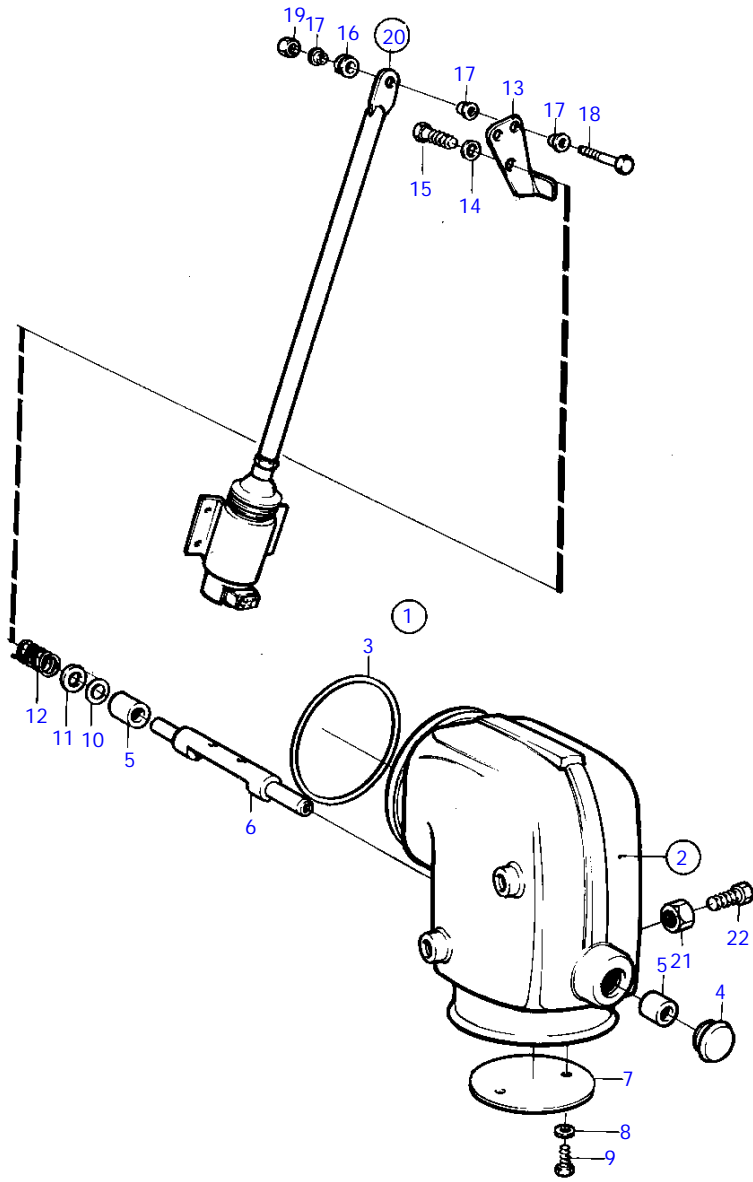
10226 10226



AD31B

REF	PART NO.	QTY	DESCRIPTION	SEE SEC.	NOTES
1	859299	1	Inlet pipe		
1A	960634	4	* Plug		
1B	947627	4	* Gasket		
2	924068	6	Stud		
3	941907	6	Spring washer		
4	945408	6	Flange nut		
5	960632	1	Plug		
6	947624	1	Gasket		
7		1	AFTER COOLER		
8	838693	1	Connection pipe		
9	471449	1	O-ring		
10	838864	1	V-band clamp		
11	947542	1	Flange screw		
12	967944	1	O-ring		
13	860460	1	Exhaust pipe		
14	946780	8	* Cap plug		
15	876144	2	Gasket kit		
16	838766	1	Sealing ring		
17	952999	4	Stud		L = 110 MM
	953001	2	Stud		L = 120 MM
	953003	1	Stud		L = 130 MM
	953007	1	Stud		L = 150 MM
18	941907	6	Spring washer		
19	971095	8	Flange nut		
20	949918	1	Shut-off cock		
20A	947893	1	Shut-off cock		
21		1	TURBO	19151	
22	859963	1	Exhaust riser		
23	859052	1	Gasket		
24	842993	1	V-band clamp		
25	858955	1	Exhaust hose		
26	853012	2	Hose clamp		(943483)
27	853718	1	Exhaust grommet		
29	842913	1	Sealing ring		
30	946544	2	Flange screw		
33	838862	1	Coolant pipe		HEAT EXCHANGER-EXHAUST PIPE.
34	946544	2	Flange screw		
35	953049	1	Stud		L = 50 MM
36	838854	1	Stud		L = 185 MM
37	17942	1	Stud		L = 110 MM
38	941907	3	Spring washer		
39	955782	3	Hexagon nut		
40	844093	1	Flange		
41	859002	1	Gasket		

MD31A, TMD31A, TMD31B, TAMD31A, TAMD31B, AQAD31A, AD31A, AD31B



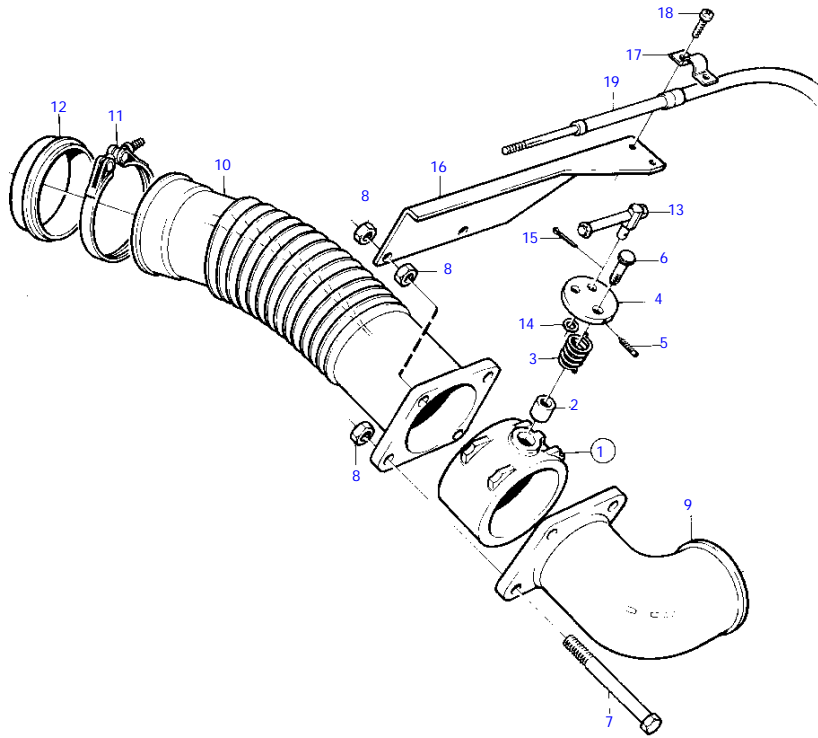
8380

MD31A, TMD31A, TMD31B, TAMD31A, TAMD31B, AQAD31A, AD31A, AD31B

REF	PART NO.	QTY	DESCRIPTION	SEE SEC.	NOTES
1	858481	1	Exhaust riser		
			Bulletin 44-16	44-16-EN	Overhaul kit, Exhaust Bend
2		1	* EXHAUST ELBOW		
3	859052	1	* * Gasket		(845408)
4	941255	1	* Expansion plug		OBSOLETE PART
5	858478	2	* Bushing		
6		1	* SHAFT		
7		1	* THROTTLE		
8	940275	2	* Washer		
9	963537	2	* Hexagon screw		
10	968783	1	* O-ring		OBSOLETE PART
11	941670	1	* Washer		
12	858594	1	* Spring		
13	858926	1	* Intermediate lever		OBSOLETE PART
14	960137	1	* Washer		
15	955225	1	* Hexagon screw		
	859607	X	Overhaul kit		
16	843109	1	Bushing		
17	843105	3	Spacer washer		
18	955274	1	Hexagon screw		
19	946035	1	Lock nut		
20		1	SOLENOID		SEE GROUP 3
21	955781	1	Hexagon nut		
22	956100	1	Cross recessed screw		



TAMD31A

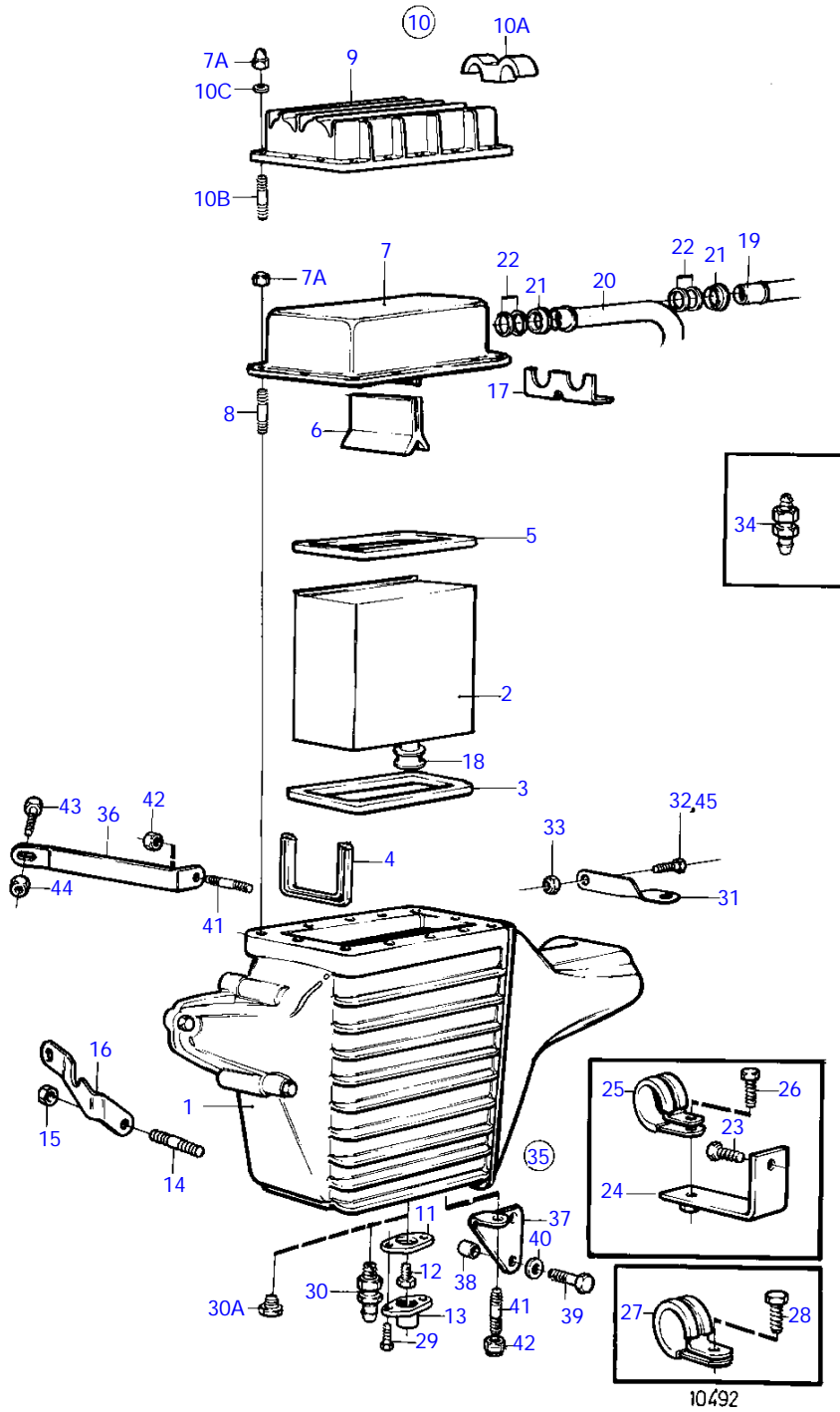


9397

TAMD31A

REF	PART NO.	QTY	DESCRIPTION	NOTES
1	859230	1	Exhaust valve	OBSOLETE PART
2		1	* SPACER SLEEVE	
3	859175	1	* Torsion spring	OBSOLETE PART
4	859264	1	* Lever	OBSOLETE PART
5	967318	1	* Screw	OBSOLETE PART
6		1	* SCREW	
7	965189	2	Flange screw	L = 90 MM
	965190	2	Flange screw	L = 100 MM
8	971095	6	Flange nut	(945409)
9	858657	1	Exhaust riser	
10	859214	1	Compensator	
11	842993	1	V-band clamp	
12	842740	1	Flange	
13	859270	1	Cube	OBSOLETE PART
14	944469	1	Washer	OBSOLETE PART
15	907834	1	Split pin	
16	859260	1	Bracket	OBSOLETE PART
17	21471054	1	Bracket	
18	956077	2	Cross recessed screw	OBSOLETE PART
19		1	CONTROL CABLE	SEE GROUP 2D

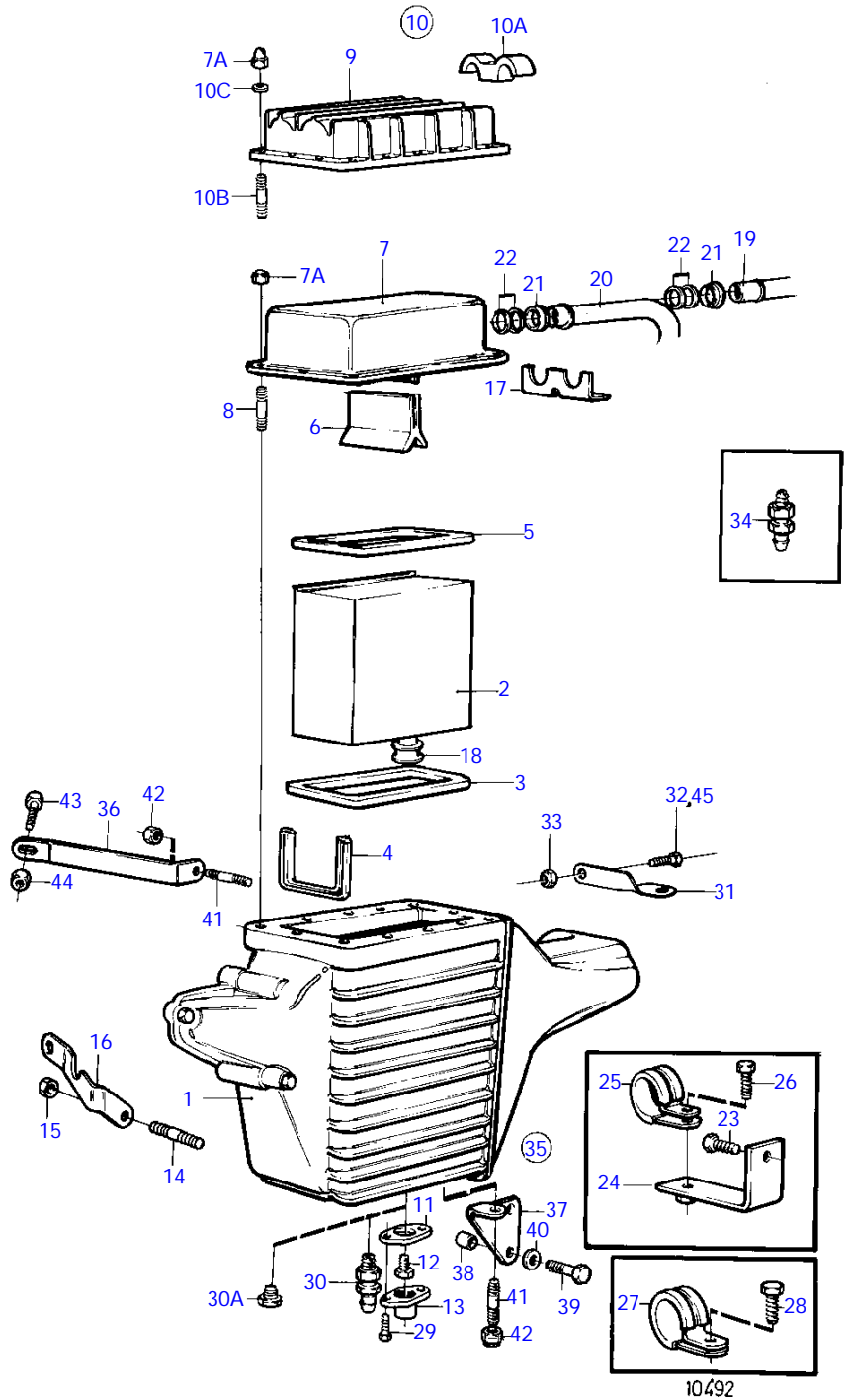
TAMD31A



TAMD31A

REF	PART NO.	QTY	DESCRIPTION	SEE SEC.	NOTES
1	838823	1	Housing		FOR INSERT 838718 OR INSERT 858947 TOGETHER WITH SEAL RING 858979 REPL BY 858948
	858948	1	Housing		FOR INSERT 858947 TOGETHER WITH SEAL RING 858979., SN-2203104513 REPL BY 859199
	859199	1	Housing		FOR INSERT 838718 TOGETHER WITH SEAL RING 858979 OR INSERT 858947 TOGETHER WITH SEAL RING 858979, REPLACED BY HOUSING 859354 TOGETHER WITH INSTALLATION KIT 859593, SN2203104514-2203109020.
	859354	1	Housing		SN2203109021-
2	838718	1	Insert		FOR HOUSING 838823 OR HOUSING 859199 REPL BY 858947
	858947	1	Insert		FOR HOUSING 858948 OR HOUSING 859199, REPL BY 859362
	859362	1	Insert		FOR HOUSING 858948 OR HOUSING 859199
3	838720	1	Seal		
4	838831	1	Sealing strip		
5	838720	1	Seal		
6	847573	1	Sealing strip		
7	859554	1	Cover		REPLACED BY COVER 860135 AND INSTALLATION KIT 876293., METAL
7A	948685	12	Cap nut		
8	953031	11	Stud		L = 25 MM EARLY TYPE
	953032	1	Stud		L = 28 MM EARLY TYPE
	953032	12	Stud		L = 28 MM LATE TYPE
9	860135	1	Cover		PLASTIC
10	876293	1	Mounting kit		FOR 860135
10A	860133	1	* Retainer		FOR 860135
10B	953036	11	* Stud		L = 38 MM
10	975132	1	* Stud		L = 68 MM
10C	955893	12	* Washer		
11	1619957	1	Gasket		(324359) SN-2203104513
12	192134	1	Plug		SN-2203104513
13	858945	1	Cover		REPLACED BY SEAL RING 858979., SN-2203104513
14	953041	1	Stud		
15	945408	1	Flange nut		
16	838833	1	Support		OBSOLETE PART
17	838754	1	Bracket		FOR 859554
18	858979	1	Sealing ring		
19	838819	1	Coolant pipe		OIL COOLER-AFTER COOLER
20	838779	1	Coolant pipe		AFTER COOLER-OUTLET
21	847108	2	Pipe retainer		
22	858986	4	Sealing ring		
23	946472	1	Flange screw	19149	
24	838828	1	Anchorage		
25	952635	2	Clamp		
26	946544	1	Flange screw		
27	952635	1	Clamp		
28		1	SCREW		SEE GROUP 2A
29	965175	2	Flange screw		SN-2203104513
30	949918	1	Shut-off cock		EARLY TYPE
30A	192134	1	Plug		LATE TYPE
31	858944	1	Anchorage		OBSOLETE PART
32	946934	1	Flange screw		
33	945407	1	Flange nut		
34	949918	1	Shut-off cock		FOR PIPE 838779
35	859593	1	Mounting kit		
36	858967	1	* Bracket		FOR 859354
37	858965	1	* Bracket		FOR 859354
38	912142	2	* Spacer sleeve		L=5 MM
39	965226	2	* Flange screw		
40	955897	2	* Washer		EARLY TYPE
41	953041	2	* Stud		
42	945408	2	* Flange nut		
43	946934	1	* Flange screw		
44	945407	1	* Flange nut		
45	946329	1	* Flange screw		

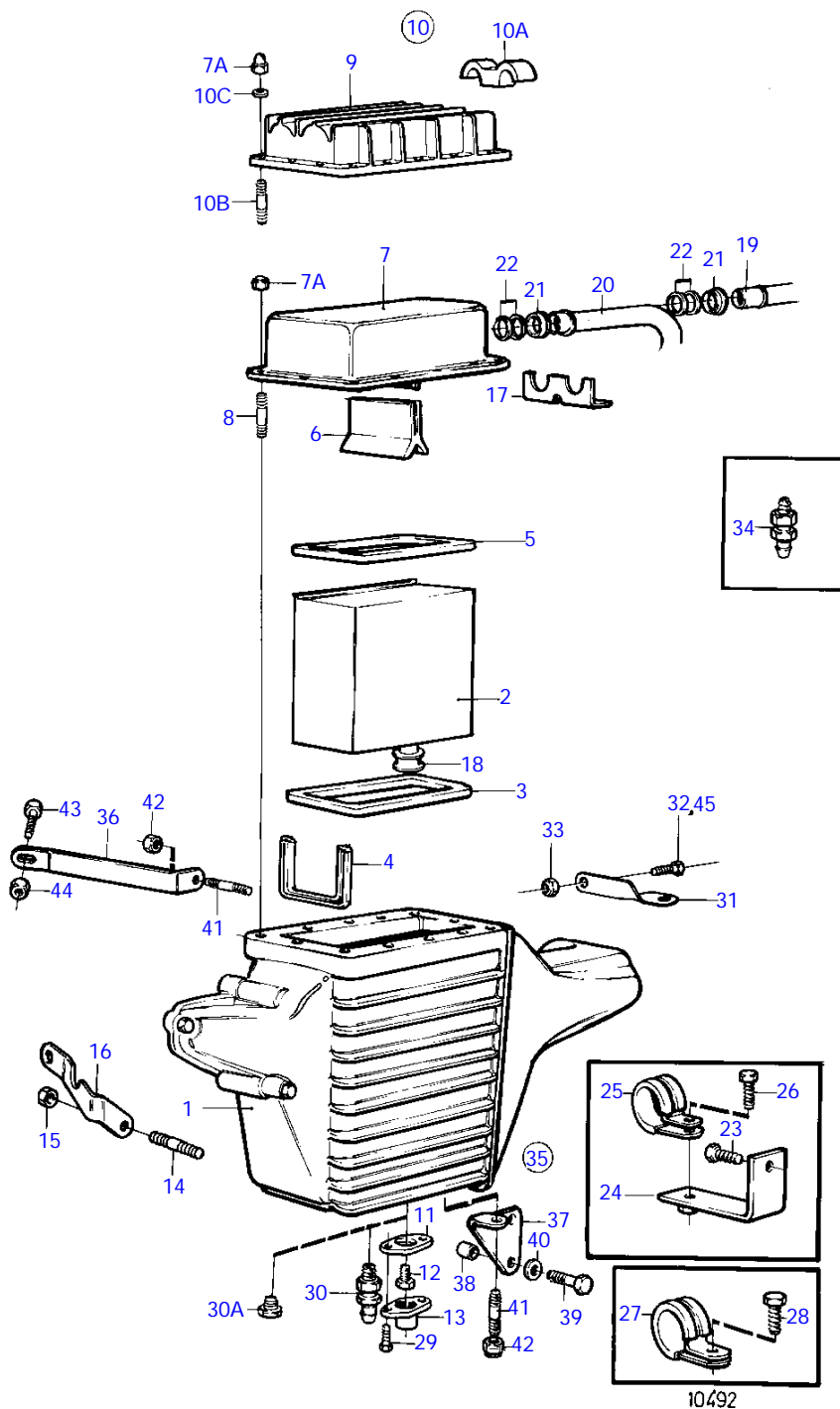
TAMD31A



TAMD31A

REF	PART NO.	QTY	DESCRIPTION	SEE SEC.	NOTES
1	838823	1	Housing, HOUSING		FOR INSERT 838718 OR INSERT 858947 TOGETHER WITH SEAL RING 858979 REPL BY 858948
	858948	1	Housing, HOUSING		FOR INSERT 858947 TOGETHER WITH SEAL RING 858979., SN-2203104513 REPL BY 859199
	859199	1	Housing		FOR INSERT 838718 TOGETHER WITH SEAL RING 858979 OR INSERT 858947 TOGETHER WITH SEAL RING 858979, REPLACED BY HOUSING 859354 TOGETHER WITH INSTALLATION KIT 859593, SN2203104514-2203109020.
	859354	1	Housing		SN2203109021-
2	838718	1	Insert		FOR HOUSING 838823 OR HOUSING 859199 REPL BY 858947
	858947	1	Insert		FOR HOUSING 858948 OR HOUSING 859199, REPL BY 859362
	859362	1	Insert		FOR HOUSING 858948 OR HOUSING 859199
3	838720	1	Seal		
4	838831	1	Sealing strip		
5	838720	1	Seal		
6	847573	1	Sealing strip		
7	859554	1	Cover		REPLACED BY COVER 860135 AND INSTALLATION KIT 876293., METAL
7A	948685	12	Cap nut		
8	953031	11	Stud		L = 25 MM EARLY TYPE
	953032	1	Stud		L = 28 MM EARLY TYPE
	953032	12	Stud		L = 28 MM LATE TYPE
9	860135	1	Cover		PLASTIC
10	876293	1	Mounting kit		FOR 860135
10A	860133	1	* Retainer		FOR 860135
10B	953036	11	* Stud		L = 38 MM
10	975132	1	* Stud		L = 68 MM
10C	955893	12	* Washer		
11	1619957	1	Gasket		(324359) SN-2203104513
12	192134	1	Plug		SN-2203104513
13	858945	1	Cover		REPLACED BY SEAL RING 858979., SN-2203104513
14	953041	1	Stud		
15	945408	1	Flange nut		
16	838833	1	Support		OBSOLETE PART
17	838754	1	Bracket		FOR 859554
18	858979	1	Sealing ring		
19	838819	1	Coolant pipe		OIL COOLER-AFTER COOLER
20	838779	1	Coolant pipe		AFTER COOLER-HEAT EXCHANGER, PRODUCT NO.868321,868325,868327
	838816	1	Coolant pipe		AFTER COOLER-REVERSE GEAR, REPLACED BY PIPE 860279,860280 AND INSTALLATION KIT 859588.
	860279	1	Coolant pipe		(859585) SEE GROUP 4A
21	847108	2	Pipe retainer		
22	858986	4	Sealing ring		(842744)
23	946472	1	Flange screw	19148	
24	838828	1	Anchorage		
25	952635	2	Clamp		
26	946544	1	Flange screw		
27	952635	1	Clamp		
28		1	SCREW		SEE GROUP 2A
29	965175	2	Flange screw		SN-2203104513
30	949918	1	Shut-off cock		EARLY TYPE
30A	192134	1	Plug		LATE TYPE
31	858944	1	Anchorage		OBSOLETE PART
32	946934	1	Flange screw		
33	945407	1	Flange nut		
34	949918	1	Shut-off cock		FOR PIPE 838779
35	859593	1	Mounting kit		
36	858967	1	* Bracket		FOR 859354
37	858965	1	* Bracket		FOR 859354
38	912142	2	* Spacer sleeve		L=5 MM
39	965226	2	* Flange screw		
40	955897	2	* Washer		EARLY TYPE
41	953041	2	* Stud		
42	945408	2	* Flange nut		
43	946934	1	* Flange screw		
44	945407	1	* Flange nut		
45	946329	1	* Flange screw		

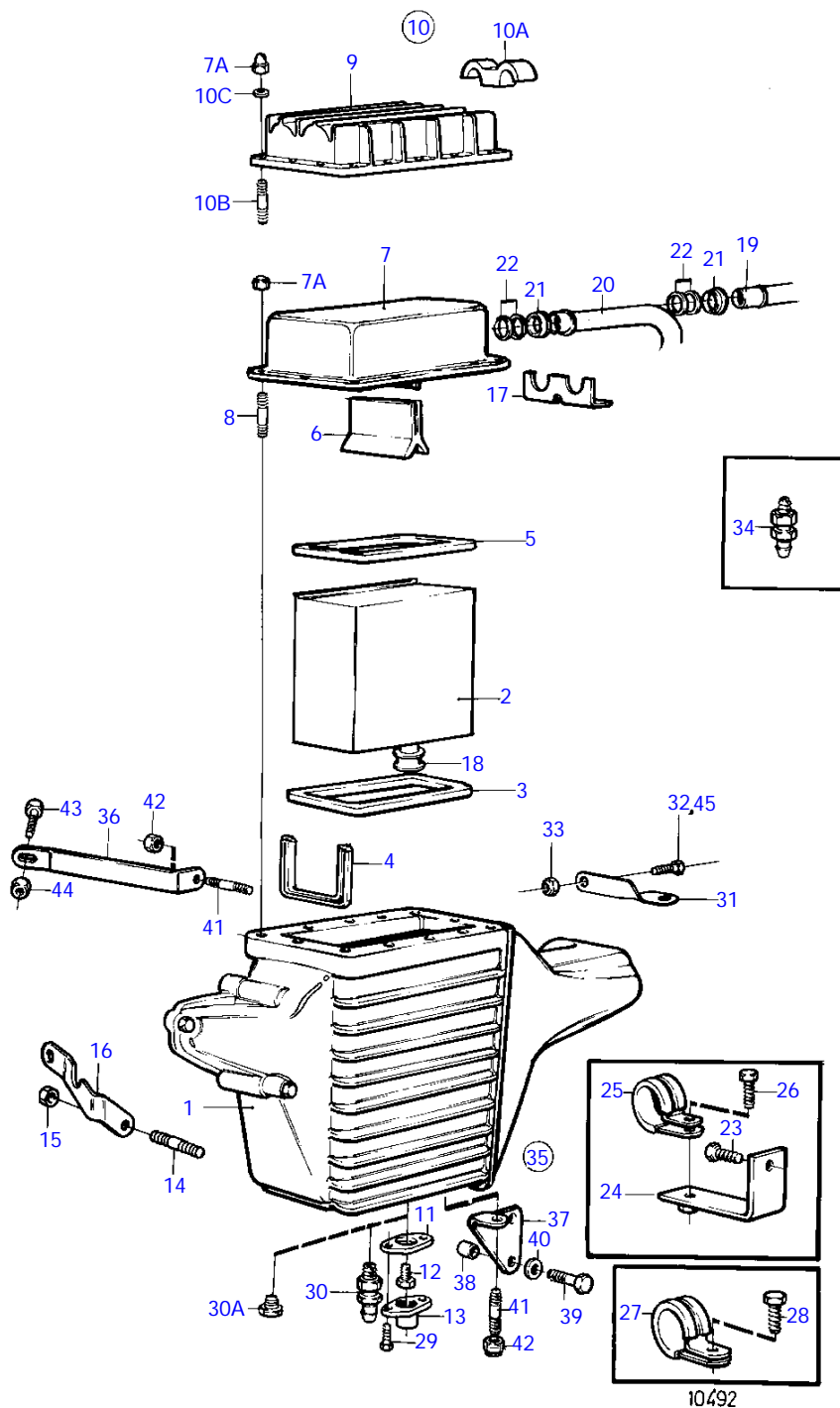
AQAD31A



AQAD31A

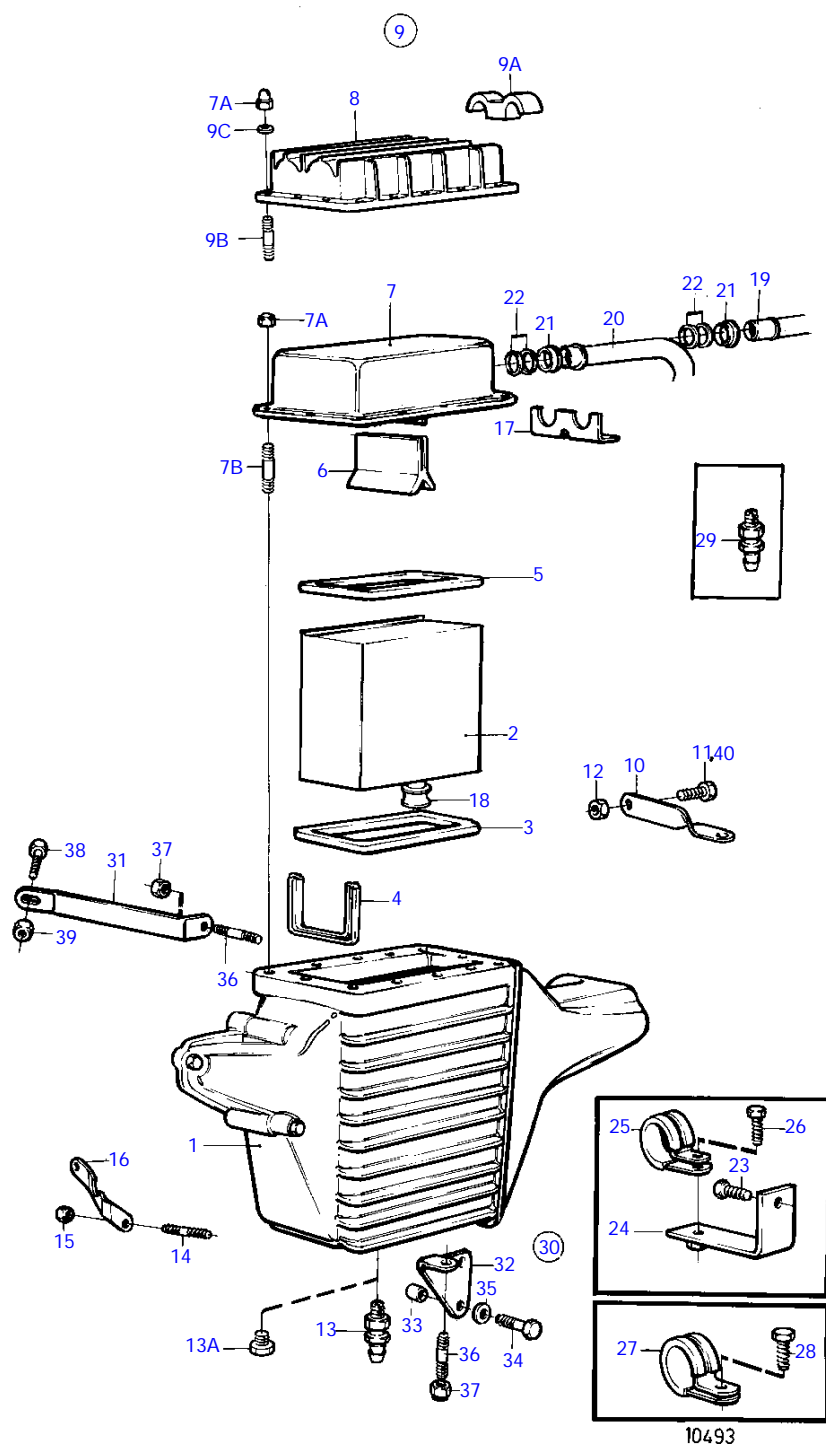
REF	PART NO.	QTY	DESCRIPTION	SEE SEC.	NOTES
1	838823	1	Housing, HOUSING		FOR INSERT 838718 OR INSERT 858947 TOGETHER WITH SEAL RING 858979
	858948	1	Housing, HOUSING		FOR INSERT 858947 TOGETHER WITH SEAL RING 858979., SN-2203104513
	859199	1	Housing		FOR INSERT 838718 TOGETHER WITH SEAL RING 858979 OR INSERT 858947 TOGETHER WITH SEAL RING 858979, REPLACED BY HOUSING 859354 TOGETHER WITH INSTALLATION KIT 859593, SN2203104514-2203109020.
	859354	1	Housing		SN2203109021-
2	838718	1	Insert		FOR HOUSING 838823 OR HOUSING 859199
	858947	1	Insert		FOR HOUSING 858948 OR HOUSING 859199, REPL BY 859362
	859362	1	Insert		FOR HOUSING 858948 OR HOUSING 859199
3	838720	1	Seal		
4	838831	1	Sealing strip		
5	838720	1	Seal		
6	847573	1	Sealing strip		
7	859554	1	Cover		REPLACED BY COVER 860135 AND INSTALLATION KIT 876293., METAL
7A	948685	12	Cap nut		
8	953031	11	Stud		L = 25 MM EARLY TYPE
	953032	1	Stud		L = 28 MM EARLY TYPE
	953032	12	Stud		L = 28 MM LATE TYPE
9	860135	1	Cover		PLASTIC
10	876293	1	Mounting kit		FOR 860135
10A	860133	1	* Retainer		FOR 860135
10B	953036	11	* Stud		L = 38 MM
10	975132	1	* Stud		L = 68 MM
10C	955893	12	* Washer		
11	1619957	1	Gasket		(324359) SN-2203104513
12	192134	1	Plug		SN-2203104513
13	858945	1	Cover		REPLACED BY SEAL RING 858979., SN-2203104513
14	953041	1	Stud		
15	945408	1	Flange nut		
16	838833	1	Support		OBSOLETE PART
17	838754	1	Bracket		FOR 859554
18	858979	1	Sealing ring		
19	838819	1	Coolant pipe		OIL COOLER-AFTER COOLER
20	838779	1	Coolant pipe		AFTER COOLER-HEAT EXCHANGER
21	847108	2	Pipe retainer		
22	858986	4	Sealing ring		(842744)
23	946472	1	Flange screw	19148	
24	838828	1	Anchorage		
25	952635	2	Clamp		
26	946544	1	Flange screw		
27	952635	1	Clamp		
28		1	SCREW		SEE GROUP 2A
29	965175	2	Flange screw		SN-2203104513
30	949918	1	Shut-off cock		EARLY TYPE
30A	192134	1	Plug		LATE TYPE
31	858944	1	Anchorage		OBSOLETE PART
32	946934	1	Flange screw		
33	945407	1	Flange nut		
34	949918	1	Shut-off cock		FOR PIPE 838779
35	859593	1	Mounting kit		
36	858967	1	* Bracket		FOR 859354
37	858965	1	* Bracket		FOR 859354
38	1572568	2	* Spacer sleeve		L = 18 MM
39	965226	2	* Flange screw		
40	955897	2	* Washer		EARLY TYPE
41	953041	2	* Stud		
42	945408	2	* Flange nut		
43	946934	1	* Flange screw		
44	945407	1	* Flange nut		
45	946329	1	* Flange screw		

AD31A



AD31A

REF	PART NO.	QTY	DESCRIPTION	SEE SEC.	NOTES
1	838823	1	Housing, HOUSING		FOR INSERT 838718 OR INSERT 858947 TOGETHER WITH SEAL RING 858979
	858948	1	Housing, HOUSING		FOR INSERT 858947 TOGETHER WITH SEAL RING 858979., SN-2203104513
	859199	1	Housing		FOR INSERT 838718 TOGETHER WITH SEAL RING 858979 OR INSERT 858947 TOGETHER WITH SEAL RING 858979, REPLACED BY HOUSING 859354 TOGETHER WITH INSTALLATION KIT 859593, SN2203104514-2203109020.
	859354	1	Housing		SN2203109021-
2	838718	1	Insert		FOR HOUSING 838823 OR HOUSING 859199
	858947	1	Insert		FOR HOUSING 858948 OR HOUSING 859199, REPL BY 859362
	859362	1	Insert		FOR HOUSING 858948 OR HOUSING 859199
3	838720	1	Seal		
4	838831	1	Sealing strip		
5	838720	1	Seal		
6	847573	1	Sealing strip		
7	859554	1	Cover		REPLACED BY COVER 860135 AND INSTALLATION KIT 876293., METAL
7A	948685	12	Cap nut		
8	953031	11	Stud		L = 25 MM EARLY TYPE
	953032	1	Stud		L = 28 MM EARLY TYPE
	953032	12	Stud		L = 28 MM LATE TYPE
9	860135	1	Cover		PLASTIC
10	876293	1	Mounting kit		FOR 860135
10A	860133	1	* Retainer		FOR 860135
10B	953036	11	* Stud		L = 38 MM
10	975132	1	* Stud		L = 68 MM
10C	955893	12	* Washer		
11	1619957	1	Gasket		(324359) SN-2203104513
12	192134	1	Plug		SN-2203104513
13	858945	1	Cover		REPLACED BY SEAL RING 858979., SN-2203104513
14	953041	1	Stud		
15	945408	1	Flange nut		
16	838833	1	Support		OBSOLETE PART
17	838754	1	Bracket		FOR 859554
18	858979	1	Sealing ring		
19	838819	1	Coolant pipe		OIL COOLER-AFTER COOLER
20	838779	1	Coolant pipe		AFTER COOLER-HEAT EXCHANGER
21	847108	2	Pipe retainer		
22	858986	4	Sealing ring		(842744)
23	946472	1	Flange screw	19148	
24	838828	1	Anchorage		
25	952635	2	Clamp		
26	946544	1	Flange screw		
27	952635	1	Clamp		
28		1	SCREW		SEE GROUP 2A
29	965175	2	Flange screw		SN-2203104513
30	949918	1	Shut-off cock		EARLY TYPE
30A	192134	1	Plug		LATE TYPE
31	858944	1	Anchorage		OBSOLETE PART
32	946934	1	Flange screw		
33	945407	1	Flange nut		
34	949918	1	Shut-off cock		FOR PIPE 838779
35	859593	1	Mounting kit		
36	858967	1	* Bracket		FOR 859354
37	858965	1	* Bracket		FOR 859354
38	1572568	2	* Spacer sleeve		L = 18 MM
39	965226	2	* Flange screw		
40	955897	2	* Washer		EARLY TYPE
41	953041	2	* Stud		
42	945408	2	* Flange nut		
43	946934	1	* Flange screw		
44	945407	1	* Flange nut		
45	946329	1	* Flange screw		

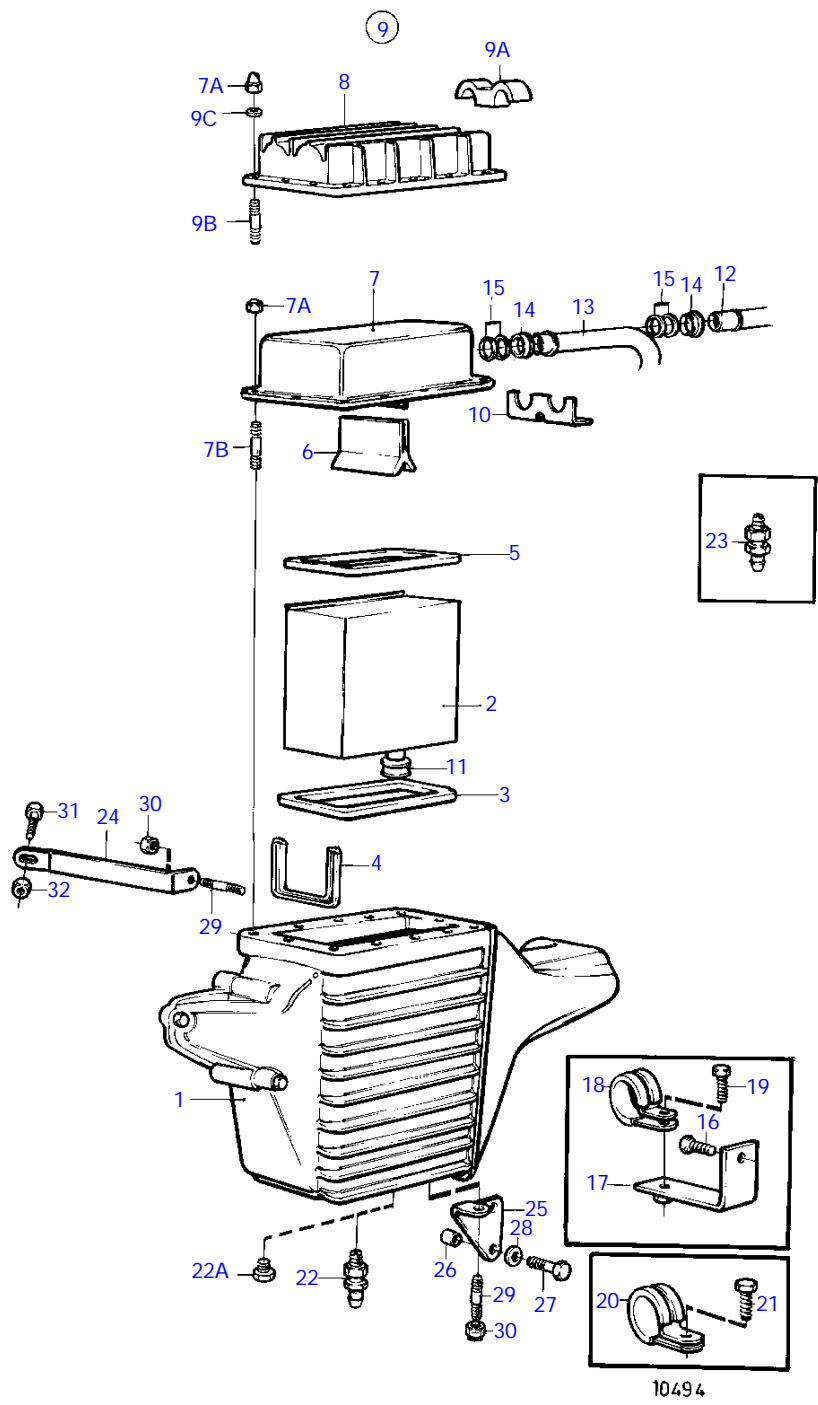


10493

--

REF	PART NO.	QTY	DESCRIPTION	SEE SEC.	NOTES
1	859199	1	Housing		REPLACED BY HOUSING 859354 TOGETHER WITH INSTALLATION KIT 859593
	859354	1	Housing		SN2203109021-
2	858947	1	Insert		REPL BY 859362
	859362	1	Insert		
3	838720	1	Seal		
4	838831	1	Sealing strip		
5	838720	1	Seal		
6	847573	1	Sealing strip		
7	859554	1	Cover		REPLACED BY COVER 860135 AND INSTALLATION KIT 876293., METAL
7A	968458	12	Flange cap nut		
7B	953032	12	Stud		
8	860135	1	Cover		PLASTIC
9	876293	1	Mounting kit		FOR 860135
9A	860133	1	* Retainer		FOR 860135
9B	953036	11	* Stud		L = 38 MM
9	975132	1	* Stud		L = 68 MM
9C	955893	12	Washer		
10	858944	1	Anchorage		OBSOLETE PART
11	946934	1	Flange screw		
12	945407	1	Flange nut		
13	949918	1	Shut-off cock		EARLY TYPE
13A	192134	1	Plug		LATE TYPE
14	953041	1	Stud		
15	945408	1	Flange nut		
16	838833	1	Support		OBSOLETE PART
17	838754	1	Bracket		FOR 859554
18	858979	1	Sealing ring		
19	838819	1	Coolant pipe		OIL COOLER-AFTER COOLER
20	838779	1	Coolant pipe		AFTER COOLER-HEAT EXCHANGER
21	847108	2	Pipe retainer		
22	858986	4	Sealing ring		(842744)
23	946472	1	Flange screw	19150	
24	838828	1	Anchorage		
25	952635	2	Clamp		
26	946544	1	Flange screw		
27	952635	1	Clamp		
28		1	SCREW		SEE GROUP 2A
29	949918	1	Shut-off cock		FOR PIPE 838779
30	859593	1	Mounting kit		
31	858967	1	* Bracket		FOR 859354
32	858965	1	* Bracket		FOR 859354
33	912142	2	* Spacer sleeve		L=5 MM
34	965226	2	* Flange screw		
35	955897	2	* Washer		EARLY TYPE
36	953041	2	* Stud		
37	945408	2	* Flange nut		
38	946934	1	* Flange screw		
39	945407	1	* Flange nut		
40	946329	1	* Flange screw		

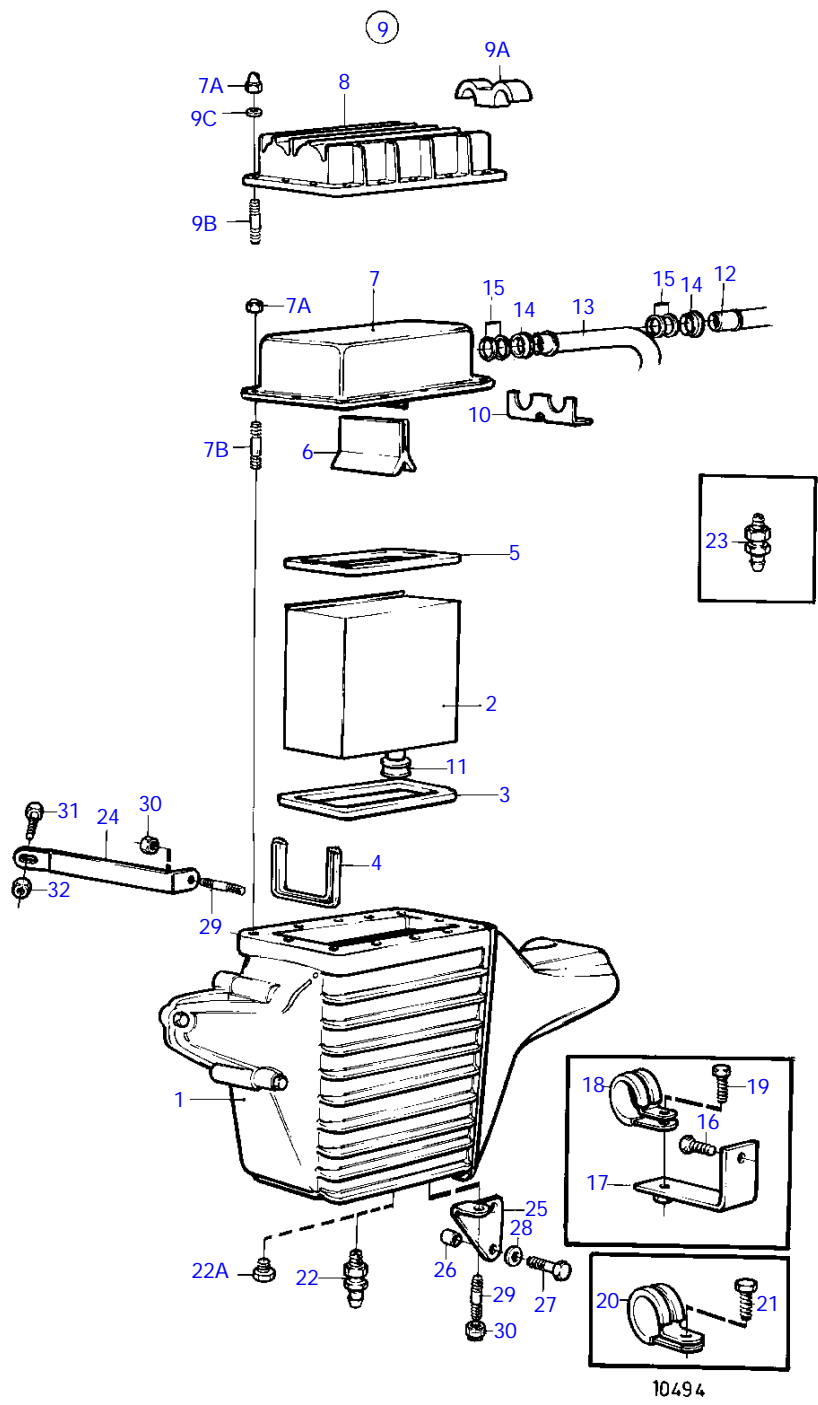
TAMD31B



TAMD31B

REF	PART NO.	QTY	DESCRIPTION	NOTES
1	859354	1	Housing	
2	859362	1	Insert	
3	838720	1	Seal	
4	838831	1	Sealing strip	
5	838720	1	Seal	
6	847573	1	Sealing strip	
7	859554	1	Cover	REPLACED BY COVER 860135 AND INSTALLATION KIT 876293., METAL
7A	968458	12	Flange cap nut	
7B	953032	12	Stud	
8	860135	1	Cover	PLASTIC
9	876293	1	Mounting kit	FOR 860135
9A	860133	1	* Retainer	FOR 860135
9B	953036	11	* Stud	L = 38 MM
9	975132	1	* Stud	L = 68 MM
9C	955893	12	* Washer	
10	838754	1	Bracket	
11	858979	1	Sealing ring	
12	838819	1	Coolant pipe	OIL COOLER-AFTER COOLER
13	838779	1	Coolant pipe	AFTER COOLER-HEAT EXCHANGER, PRODUCT NO.868332,868438
	860279	1	Coolant pipe	PRODUCT NO.868182,868183, SEE GROUP 4A
14	847108	2	Pipe retainer	
15	858986	4	Sealing ring	
16	946472	1	Flange screw	
17	838828	1	Anchorage	FOR 859554
18	952635	2	Clamp	
19	946544	1	Flange screw	
20	952635	1	Clamp	
21		1	SCREW	SEE GROUP 2A
22	949918	1	Shut-off cock	EARLY TYPE
22A	192134	1	Plug	LATE TYPE
23	949918	1	Shut-off cock	FOR PIPE 838779
24	858967	1	Bracket	
25	858965	1	Bracket	
26	912142	2	Spacer sleeve	
27	965226	2	Flange screw	
28	955897	2	Washer	
29	953041	2	Stud	
30	945408	2	Flange nut	
31	946934	1	Flange screw	
32	945407	1	Flange nut	

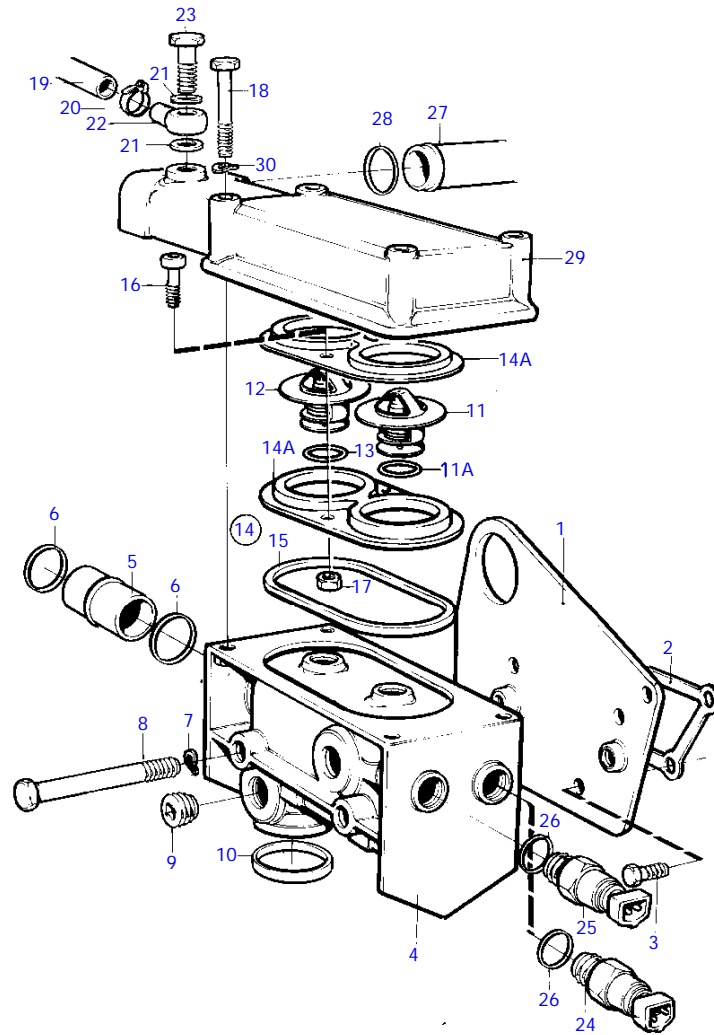
AD31B



AD31B

REF	PART NO.	QTY	DESCRIPTION	NOTES
1	859354	1	Housing	
2	859362	1	Insert	
3	838720	1	Seal	
4	838831	1	Sealing strip	
5	838720	1	Seal	
6	847573	1	Sealing strip	
7	859554	1	Cover	REPLACED BY COVER 860135 AND INSTALLATION KIT 876293., METAL
7A	968458	12	Flange cap nut	
7B	953032	12	Stud	
8	860135	1	Cover	PLASTIC
9	876293	1	Mounting kit	FOR 860135
9A	860133	1	* Retainer	FOR 860135
9B	953036	11	* Stud	L = 38 MM
9	975132	1	* Stud	L = 68 MM
9C	955893	12	* Washer	
10	838754	1	Bracket	
11	858979	1	Sealing ring	
12	838819	1	Coolant pipe	OIL COOLER-AFTER COOLER
13	838779	1	Coolant pipe	AFTER COOLER-HEAT EXCHANGER
14	847108	2	Pipe retainer	
15	858986	4	Sealing ring	
16	946472	1	Flange screw	
17	838828	1	Anchorage	FOR 859554
18	952635	2	Clamp	
19	946544	1	Flange screw	
20	952635	1	Clamp	
21		1	SCREW	SEE GROUP 2A
22	949918	1	Shut-off cock	EARLY TYPE
22A	192134	1	Plug	LATE TYPE
23	949918	1	Shut-off cock	FOR PIPE 838779
24	858967	1	Bracket	
25	858965	1	Bracket	
26	1572568	2	Spacer sleeve	
27	965226	2	Flange screw	
28	955897	2	Washer	
29	953041	2	Stud	
30	945408	2	Flange nut	
31	946934	1	Flange screw	
32	945407	1	Flange nut	

MD31A



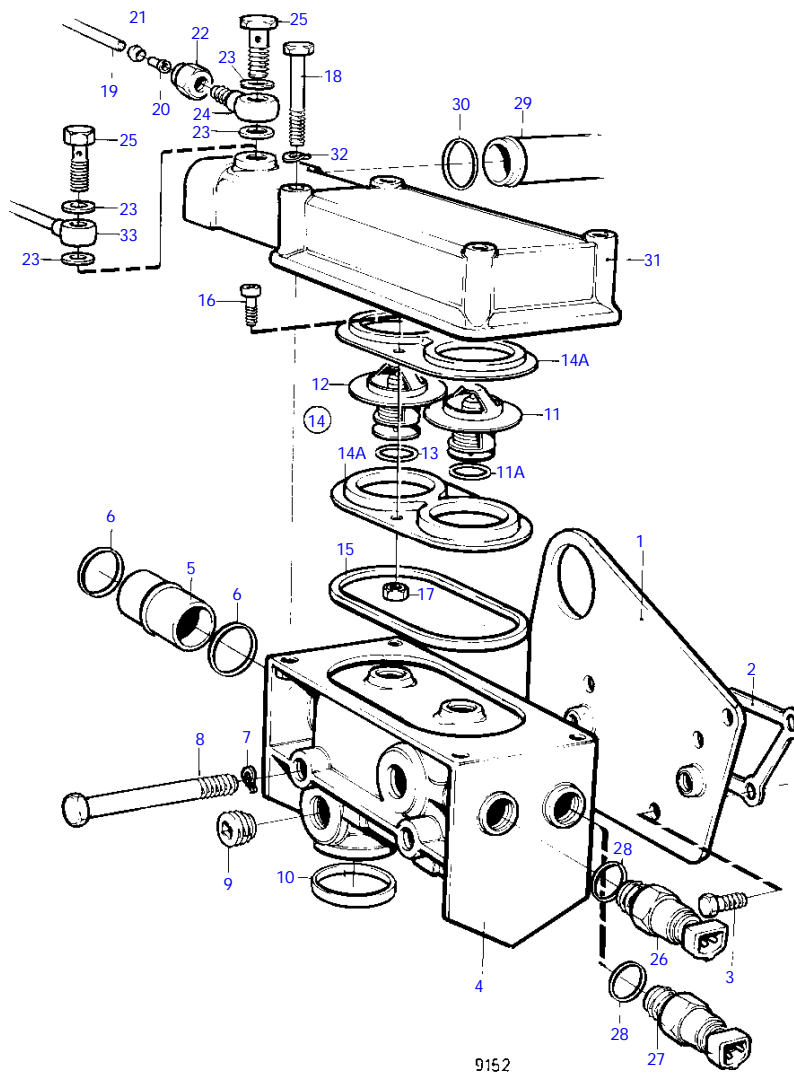
9151

MD31A

REF	PART NO.	QTY	DESCRIPTION	SEE SEC.	NOTES
1	838703	1	Adapler		
2	1542187	1	Gasket		
3	955295	4	Hexagon screw		
4	838704	1	Thermostat housing		
5	838739	1	Adapler		
6	968927	2	O-ring		
7	941907	2	Spring washer		
8	965183	2	Flange screw		
9	952077	2	Plug		
10	1542198	1	Sealing ring	19191	
11	876128	1	Thermostat kit		(273952) 81°
11A	416033	1	* Sealing ring		
12	875849	1	Thermostat kit		WITH AIR VENTING VALVE, 81°
13	416033	1	* Sealing ring		
14	876145	1	Retainer kit		
14A	859229	2	* Retainer		
15	838807	1	* Sealing ring		
16	963554	2	* Hexagon screw		
17	966170	2	* Lock nut		
18	965217	4	Flange screw		
19	943366	1	Rubber hose, HOSE		L = 2000 MM
20	943470	1	Hose clamp	19187	
21	11994	2	Gasket		
22	858750	1	Banjo nipple		
23	969299	1	Hollow screw		(74040)
24	827151	1	Temperature sensor		12V
25	833927	1	Thermo monitor		12V
26	957181	2	Gasket		
27	858217	1	Pipe		HEAT EXCHANGER-THERMOSTAT HOUSING.
28	968927	1	O-ring		
29	838789	1	Upper section		
30	941907	4	Spring washer		



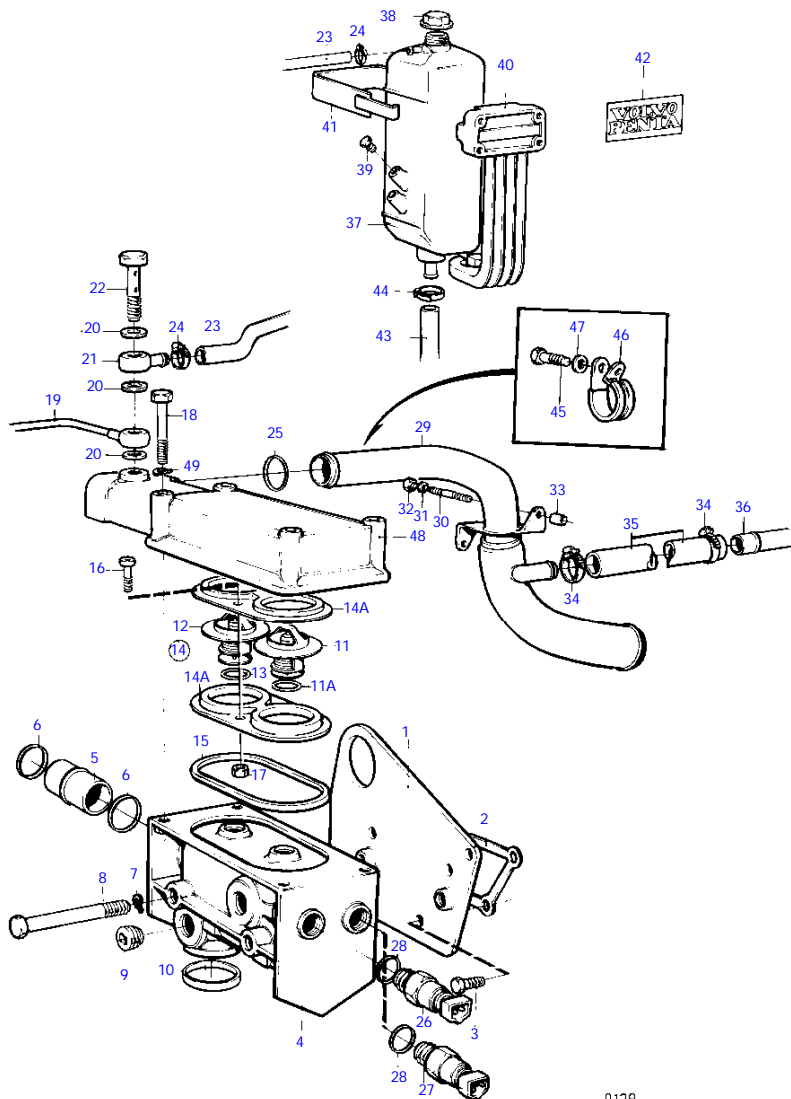
TMD31A, TAMD31A, AQAD31A, AD31A



TMD31A, TAMD31A, AQAD31A, AD31A

REF	PART NO.	QTY	DESCRIPTION	SEE SEC.	NOTES
1	838703	1	Adapter		
2	1542187	1	Gasket		
3	955295	4	Hexagon screw		
4	838704	1	Thermostat housing		
5	838739	1	Adapter		
6	968927	2	O-ring		
7	941907	2	Spring washer		
8	965183	2	Flange screw		
9	952077	2	Plug		
10	1542198	1	Sealing ring	19192	
11	876128	1	Thermostat kit		(273952) 81°
11A	416033	1	* Sealing ring		
12	875849	1	Thermostat kit		WITH AIR VENTING VALVE, 81°
13	416033	1	* Sealing ring		
14	876145	1	Retainer kit		
14A	859229	2	* Retainer		
15	838807	1	* Sealing ring		
16	963554	2	* Hexagon screw		
17	966170	2	* Lock nut		
18	965217	4	Flange screw		
19	945460	1	Tube, PIPE		L = 95 MM, EARLY TYPE
				19188	
20	944717	1	Support sleeve		EARLY TYPE
21	954364	1	Sleeve		EARLY TYPE
22	954356	1	Fitting nut		EARLY TYPE
23	11994	2	Gasket		
24	945417	1	Banjo nipple		EARLY TYPE
25	969299	1	Hollow screw		(74040)
26	827151	1	Temperature sensor		12V
	843325	1	Temperature sensor		24V
27	833927	1	Thermo monitor		12V
	858229	1	Thermo monitor		24V
28	957181	2	Gasket		
29	838797	1	Coolant pipe		HEAT EXCHANGER-THERMOSTAT HOUSING., OBSOLETE PART
30	968927	1	O-ring		
31	838789	1	Upper section		
32	941907	4	Spring washer		
33	860229	1	Air vent hose		TURBO-HEAT EXCHANGER-THERMOSTAT HOUSING, LATE TYPE

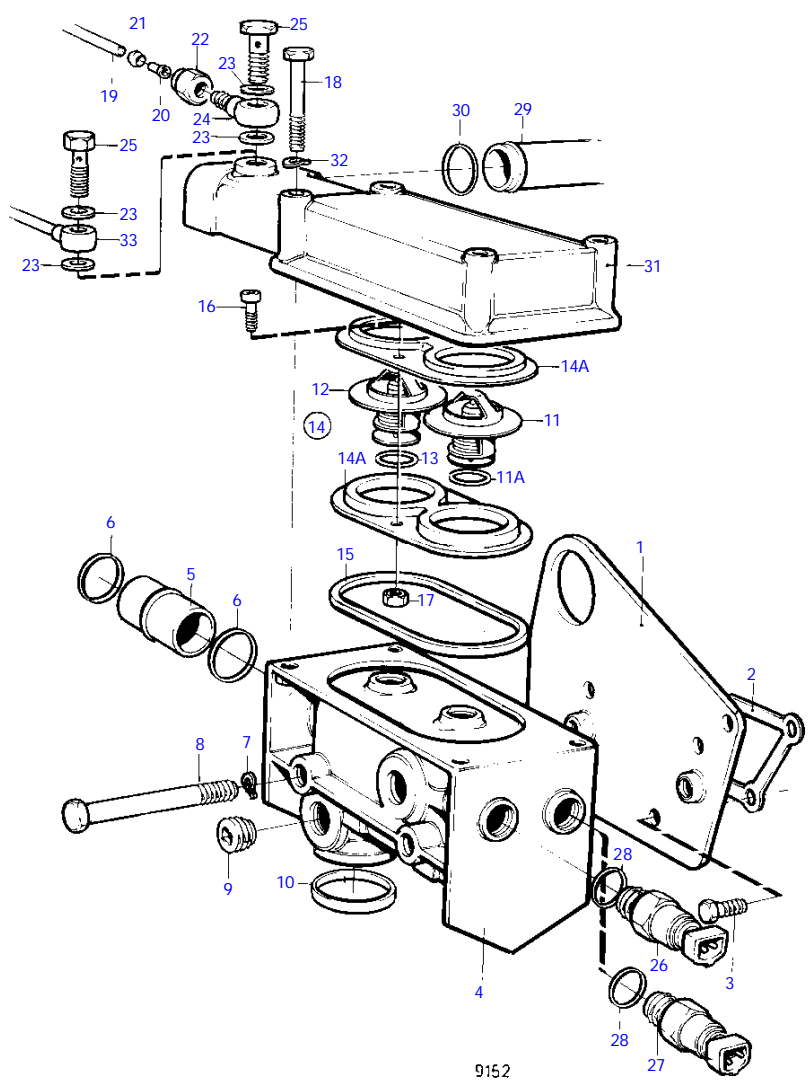
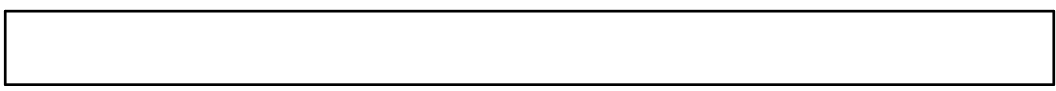
TAMD31A



9128

TAMD31A

REF	PART NO.	QTY	DESCRIPTION	SEE SEC.	NOTES
1	838703	1	Adapler		
2	1542187	1	Gasket		
3	955295	4	Hexagon screw		
4	838704	1	Thermostat housing		
5	838739	1	Adapler		
6	968927	2	O-ring		
7	941907	2	Spring washer		
8	965183	2	Flange screw		
9	952077	2	Plug		
10	1542198	1	Sealing ring	19193	
11	876128	1	Thermostat kit		(273952) 81°
11A	416033	1	* Sealing ring		
12	875849	1	Thermostat kit		WITH AIR VENTING VALVE, 81°
13	416033	1	* Sealing ring		
14	876145	1	Retainer kit		
14A	859229	2	* Retainer		
15	838807	1	* Sealing ring		
16	963554	2	* Hexagon screw		
17	966170	2	* Lock nut		
18	965217	4	Flange screw		
19	858897	1	Air vent pipe		TURBO-THERMOSTAT HOUSING, REPL BY 860214
	860214	1	Air vent hose		TURBO-HEAT EXCHANGER-THERMOSTAT HOUSING
20	11994	3	Gasket		
21	858750	1	Banjo nipple		
22	947975	1	Hollow screw		
23	943366	X	Rubber hose		
24	943470	2	Hose clamp		
25	968927	1	O-ring		
26	827151	1	Temperature sensor	12V	
27	833927	1	Thermo monitor	12V	
28	957181	2	Gasket		
29	858519	1	Coolant pipe		OBSOLETE PART
30	953001	2	Stud	19156	
31	941907	2	Spring washer		
32	971095	2	Flange nut		(945409)
33	820917	2	Spacer sleeve		
34	943475	2	Hose clamp		
35	944386	X	Rubber hose		L = 90 MM
36	838779	1	Coolant pipe		AFTER COOLER-OUTLET
37	843759	1	Expansion tank		
38	844624	1	Pressure cap		
39	947660	2	Plug		(836268)
40	843260	1	Bracket		
41	843266	1	Clamp		
42		1	Decal		REPLACED BY DECAL KIT 876234
	876234	1	Decal set		
43	952969	X	Hose		EXPANSION TANK-INLET
44	943472	1	Hose clamp		
45	946544	1	Flange screw		
46	967645	1	Clamp		
47	955892	1	Washer		
48	838789	1	Upper section		
49	941907	4	Spring washer		



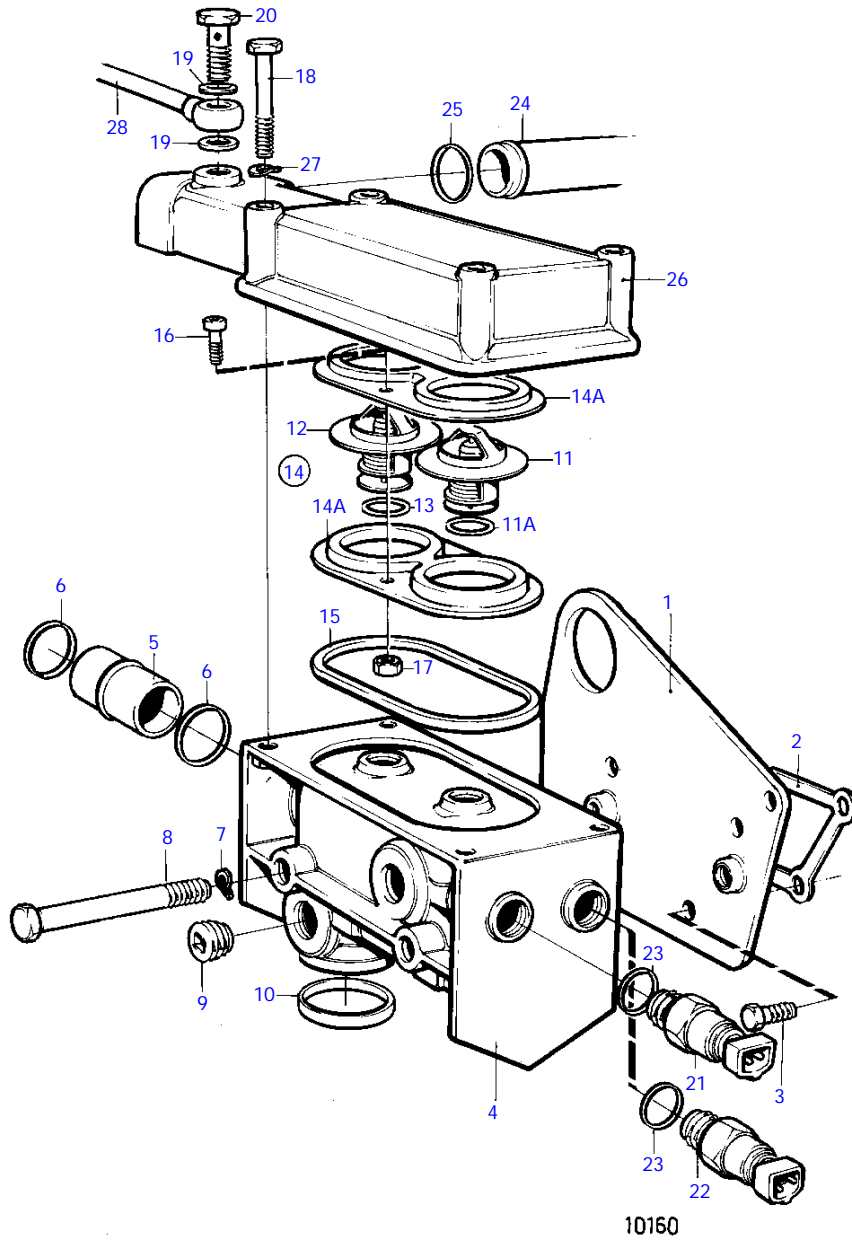
9152



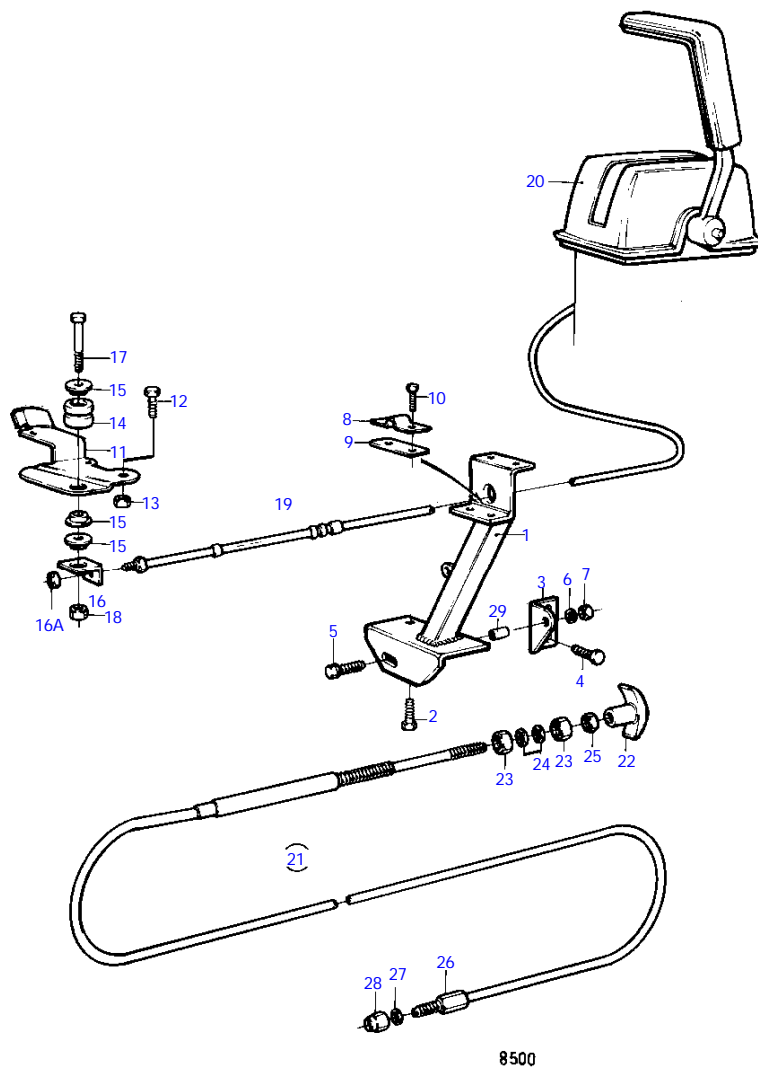
--

REF	PART NO.	QTY	DESCRIPTION	SEE SEC.	NOTES
1	838703	1	Adapter		
2	1542187	1	Gasket		
3	955295	4	Hexagon screw		
4	838704	1	Thermostat housing		
5	838739	1	Adapter		THERMOSTAT HOUSING-HEAT EXCHANGER.
6	968927	2	O-ring		
7	941907	2	Spring washer		
8	965183	2	Flange screw		
9	952077	2	Plug		
10	1542198	1	Sealing ring	19194	
11	876128	1	Thermostat kit		(273952) 81°
11A	416033	1	* Sealing ring		
12	875849	1	Thermostat kit		WITH AIR VENTING VALVE, 81°
13	416033	1	* Sealing ring		
14	876145	1	Retainer kit		
14A	859229	2	* Retainer		
15	838807	1	* Sealing ring		
16	963554	2	* Hexagon screw		
17	966170	2	* Lock nut		
18	965217	4	Flange screw		
19	945460	1	Tube, PIPE		L = 75 MM EARLY TYPE
				19189	
20	944717	1	Support sleeve		EARLY TYPE
21	954364	1	Sleeve		EARLY TYPE
22	954356	1	Fitting nut		EARLY TYPE
23	11994	2	Gasket		
24	945417	1	Banjo nipple		EARLY TYPE
25	969299	1	Hollow screw		(74040)
26	843325	1	Temperature sensor		24V
27	858229	1	Thermo monitor		24V
28	957181	2	Gasket		
29	838797	1	Coolant pipe		HEAT EXCHANGER-THERMOSTAT HOUSING., OBSOLETE PART
30	968927	1	O-ring		
31	838789	1	Upper section		
32	941907	4	Spring washer		
33	860229	1	Air vent hose		TURBO-HEAT EXCHANGER-THERMOSTAT HOUSING, LATE TYPE

TMD31B, TAMD31B, AD31B



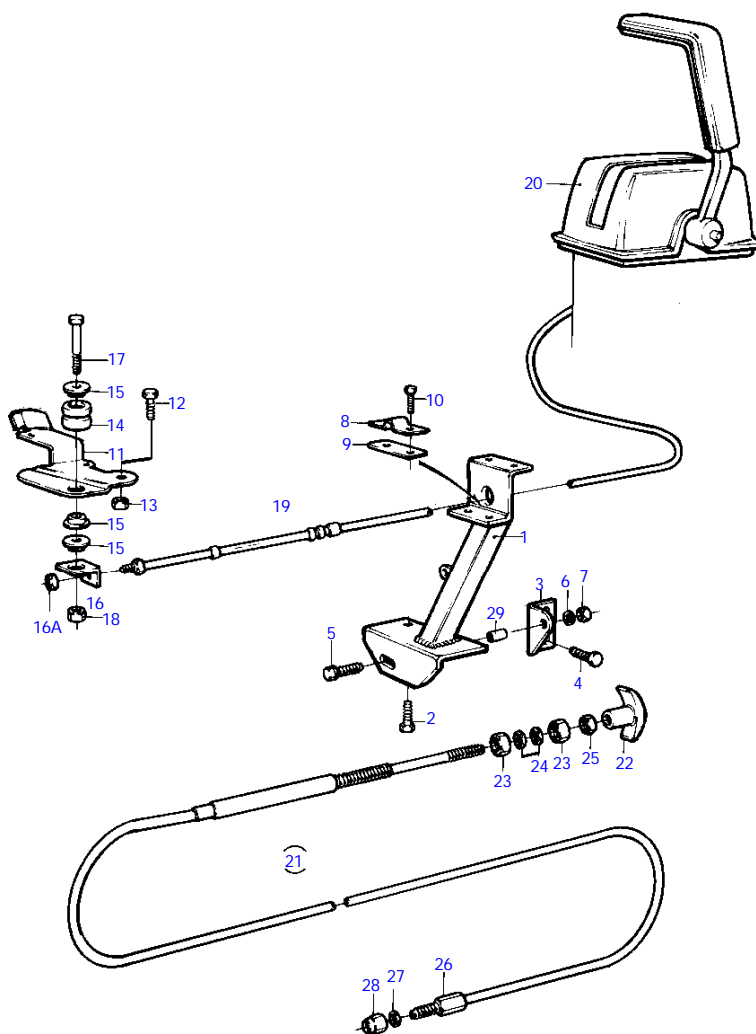
MD31A



MD31A

REF	PART NO.	QTY	DESCRIPTION	NOTES
1	858554	1	Bracket	REPL BY 858552
	858552	1	Bracket	
2	946471	1	Flange screw	L = 16 MM
	946441	1	Flange screw	L = 20 MM
3	838753	1	Bracket	
4	946440	2	Flange screw	
5	945444	1	Flange screw	ALT.L = 16 MM
	947542	1	Flange screw	ALT.L = 25 MM
6	191172	1	Washer	
7	948645	1	Flange lock nut	
8	21471054	1	Bracket	
9	819068	1	Washer	
10	956078	2	Cross recessed screw	
11	858261	1	Lever	
12	946544	1	Flange screw	
13	949278	1	Flange lock nut	
14	843109	1	Bushing	
15	843105	3	Spacer washer	
16	843107	1	Anchorage	
16A	951674	1	Lock nut	
17	955274	1	Hexagon screw	
18	949278	1	Flange lock nut	
19		1	CONTROL CABLE	SEE GROUP 9
20		1	CONTROL	SEE GROUP 9
21	818478	1	Push pull control	L = 3300 MM, OBSOLETE PART
	818470	1	Push pull control	L = 6900 MM, OBSOLETE PART
22	829241	1	* Handle	
23	955857	2	* Hexagon nut	
24	955950	2	* Toothed washer	
25	955844	1	* Hexagon nut	
26	829070	1	Cable lock	
27	955894	2	Washer	
28	950363	1	Lock nut	OBSOLETE PART
29		1	Spacer sleeve	

TMD31A

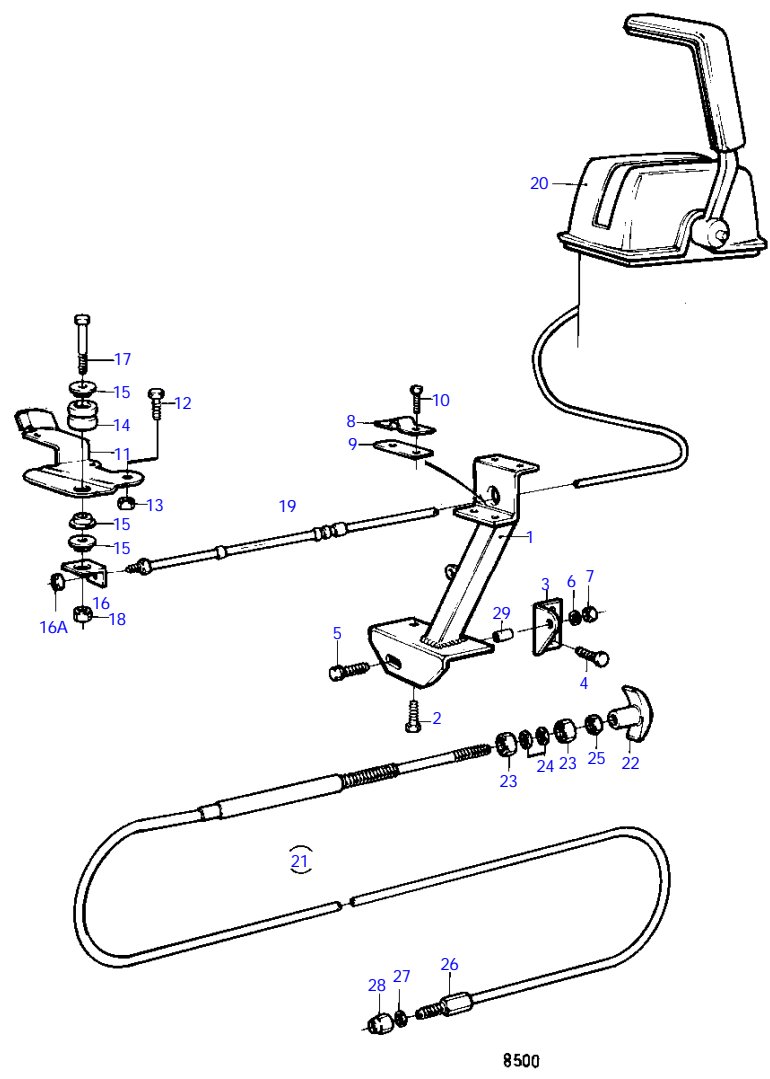


8500

TMD31A

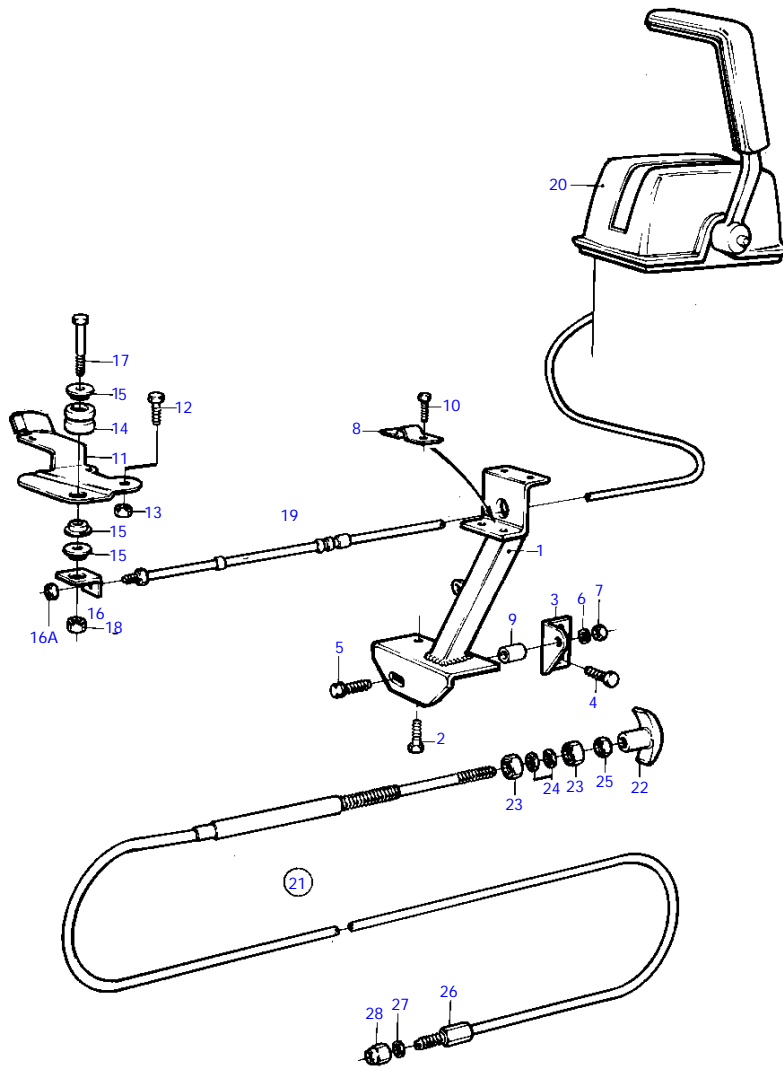
REF	PART NO.	QTY	DESCRIPTION	NOTES
1	858554	1	Bracket	REPL BY 858552
	858552	1	Bracket	
2	946471	1	Flange screw	L = 16 MM
	946441	1	Flange screw	L = 20 MM
3	838753	1	Bracket	
4	946440	2	Flange screw	
5	945444	1	Flange screw	ALT.L = 16 MM
	947542	1	Flange screw	ALT.L = 25 MM
6	191172	1	Washer	
7	948645	1	Flange lock nut	
8	21471054	1	Bracket	
9	819068	1	Washer	
10	956078	2	Cross recessed screw	
11	858261	1	Lever	
12	946544	1	Flange screw	
13	949278	1	Flange lock nut	
14	843109	1	Bushing	
15	843105	3	Spacer washer	
16	843107	1	Anchorage	
16A	951674	1	Lock nut	
17	955274	1	Hexagon screw	
18	949278	1	Flange lock nut	
19		1	CONTROL CABLE	SEE GROUP 9
20		1	CONTROL	SEE GROUP 9
21	818478	1	Push pull control	L = 3300 MM, OBSOLETE PART
	818470	1	Push pull control	L = 6900 MM, OBSOLETE PART
22	829241	1	* Handle	
23	955857	2	* Hexagon nut	
24	955950	2	* Toothed washer	
25	955844	1	* Hexagon nut	
26	829070	1	Cable lock	
27	955894	2	Washer	
28	950363	1	Lock nut	OBSOLETE PART
29		1	Spacer sleeve	

TAMD31A



TAMD31A

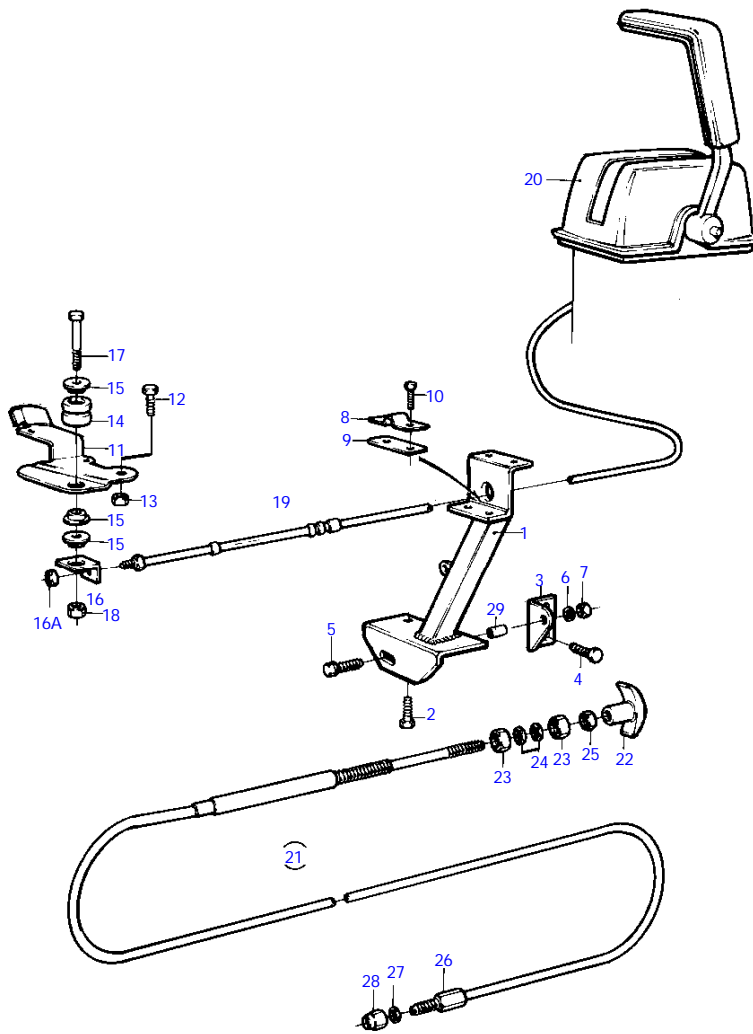
REF	PART NO.	QTY	DESCRIPTION	NOTES
1	858552	1	Bracket	
2	946471	1	Flange screw	L = 16 MM
	946441	1	Flange screw	L = 20 MM
3	838753	1	Bracket	
4	946440	2	Flange screw	
5	945444	1	Flange screw	ALT.L = 16 MM
	947542	1	Flange screw	ALT.L = 25 MM
6	191172	1	Washer	
7	948645	1	Flange lock nut	
8	21471054	1	Bracket	
9	819068	1	Washer	
10	956078	2	Cross recessed screw	
11	858261	1	Lever	
12	946544	1	Flange screw	
13	949278	1	Flange lock nut	
14	843109	1	Bushing	
15	843105	3	Spacer washer	
16	843107	1	Anchorage	
16A	951674	1	Lock nut	
17	955274	1	Hexagon screw	
18	949278	1	Flange lock nut	
19		1	CONTROL CABLE	SEE GROUP 9
20		1	CONTROL	SEE GROUP 9
21	818478	1	Push pull control	L = 3300 MM, OBSOLETE PART
	818470	1	Push pull control	L = 6900 MM, OBSOLETE PART
22	829241	1	* Handle	
23	955857	2	* Hexagon nut	
24	955950	2	* Toothed washer	
25	955844	1	* Hexagon nut	
26	829070	1	Cable lock	
27	955894	2	Washer	
28	950363	1	Lock nut	OBSOLETE PART
29		1	Spacer sleeve	



8425

REF	PART NO.	QTY	DESCRIPTION	NOTES
1	858552	1	Bracket	
2	946471	1	Flange screw	L = 16 MM
	946441	1	Flange screw	L = 20 MM
3	838753	1	Bracket	
4	946440	2	Flange screw	
5	945444	1	Flange screw	
6	191172	1	Washer	
7	948645	1	Flange lock nut	
8	21471054	1	Bracket	
9		1	Spacer sleeve	
10	956078	2	Cross recessed screw	
11	858261	1	Lever	
12	946544	1	Flange screw	
13	946577	1	Lock nut	
14	843109	1	Bushing	
15	843105	3	Spacer washer	
16	843107	1	Anchorage	
16A	951674	1	Lock nut	
17	955274	1	Hexagon screw	
18	949278	1	Flange lock nut	
19		X	CONTROL CABLE	SEE GROUP 9
20		X	CONTROL	SEE GROUP 9
21	818478	X	Push pull control	L = 3300 MM, OBSOLETE PART
	818470	X	Push pull control	L = 6900 MM, OBSOLETE PART
22	829241	1	* Handle	
23	955857	2	* Hexagon nut	
24	955950	2	* Toothed washer	
25	955844	1	* Hexagon nut	
26	829070	1	Cable lock	
27	955894	2	Washer	
28	950363	1	Lock nut	OBSOLETE PART

AQAD31A, AD31A

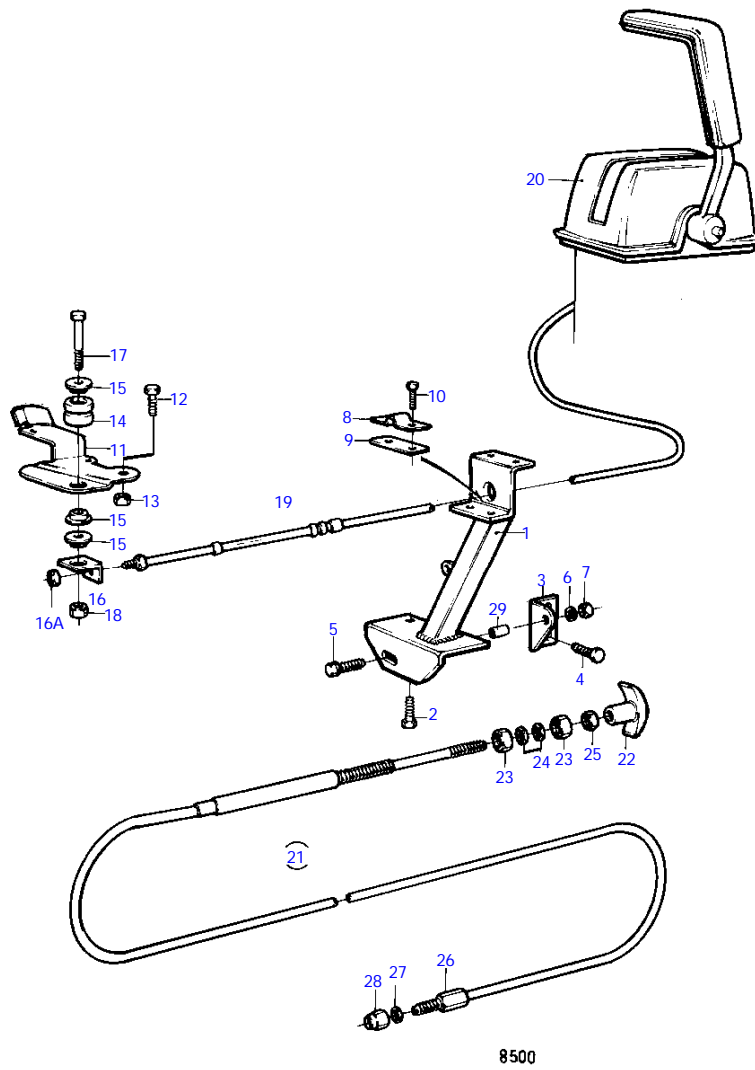


8500

AQAD31A, AD31A

REF	PART NO.	QTY	DESCRIPTION	NOTES
1	858552	1	Bracket	
2	946471	1	Flange screw	L = 16 MM
	946441	1	Flange screw	L = 20 MM
3	838753	1	Bracket	
4	946440	2	Flange screw	
5	945444	1	Flange screw	ALT.L = 16 MM
	947542	1	Flange screw	ALT.L = 25 MM
6	191172	1	Washer	
7	948645	1	Flange lock nut	
8	21471054	1	Bracket	
9	819068	1	Washer	
10	956078	2	Cross recessed screw	
11	858261	1	Lever	
12	946544	1	Flange screw	
13	949278	1	Flange lock nut	
14	843109	1	Bushing	
15	843105	3	Spacer washer	
16	843107	1	Anchorage	
16A	951674	1	Lock nut	
17	955274	1	Hexagon screw	
18	949278	1	Flange lock nut	
19		1	CONTROL CABLE	SEE GROUP 9
20		1	CONTROL	SEE GROUP 9
21	818478	1	Push pull control	L = 3300 MM, OBSOLETE PART
	818470	1	Push pull control	L = 6900 MM, OBSOLETE PART
22	829241	1	* Handle	
23	955857	2	* Hexagon nut	
24	955950	2	* Toothed washer	
25	955844	1	* Hexagon nut	
26	829070	1	Cable lock	
27	955894	2	Washer	
28	950363	1	Lock nut	OBSOLETE PART
29		1	Spacer sleeve	

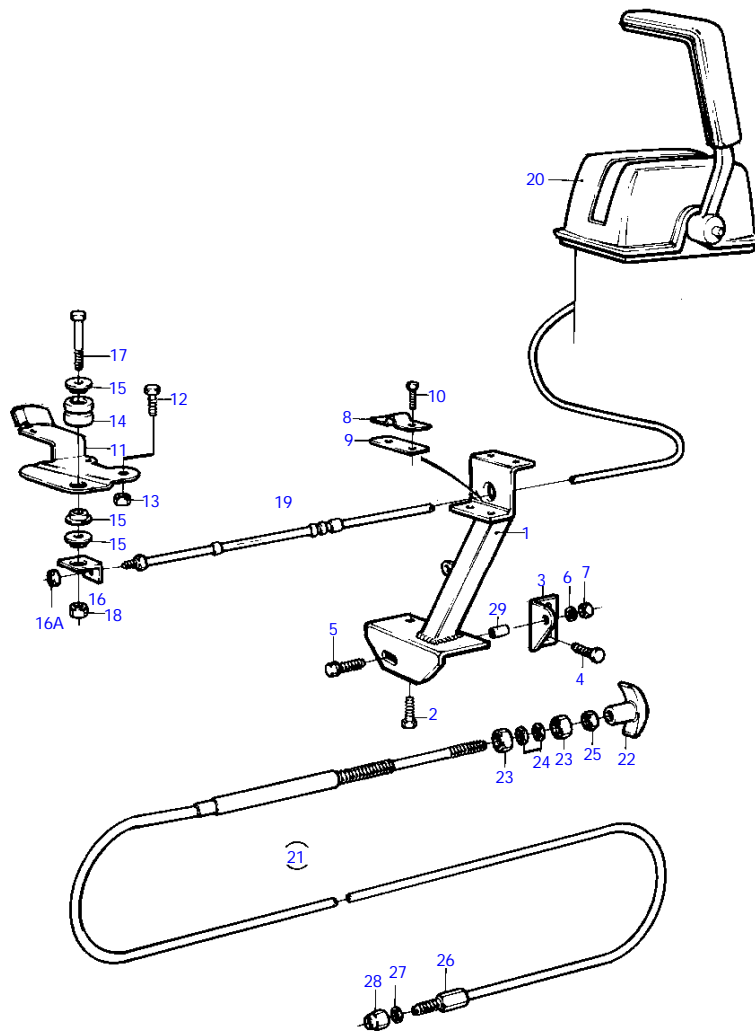
TMD31B



TMD31B

REF	PART NO.	QTY	DESCRIPTION	NOTES
1	858554	1	Bracket	REPL BY 858552
	858552	1	Bracket	
2	946471	1	Flange screw	L = 16 MM
	946441	1	Flange screw	L = 20 MM
3	838753	1	Bracket	
4	946440	2	Flange screw	
5	945444	1	Flange screw	L = 16 MM
	947542	1	Flange screw	L = 25 MM
6	191172	1	Washer	
7	948645	1	Flange lock nut	
8	21471054	1	Bracket	
9	819068	1	Washer	
10	956078	2	Cross recessed screw	
11	858261	1	Lever	
12	946544	1	Flange screw	
13	949278	1	Flange lock nut	
14	843109	1	Bushing	
15	843105	3	Spacer washer	
16	843107	1	Anchorage	
16A	951674	1	Lock nut	
17	955274	1	Hexagon screw	
18	949278	1	Flange lock nut	
19		1	CONTROL CABLE	SEE GROUP 9
20		1	REGLAGE	SEE GROUP 9
21	818478	1	Push pull control	L = 3300 MM, OBSOLETE PART
	818470	1	Push pull control	L = 6900 MM, OBSOLETE PART
22	829241	1	* Handle	
23	955857	2	* Hexagon nut	
24	955950	2	* Toothed washer	
25	955844	1	* Hexagon nut	
26	829070	1	Cable lock	
27	955894	2	Washer	
28	950363	1	Lock nut	OBSOLETE PART
29		1	Spacer sleeve	

TAMD31B

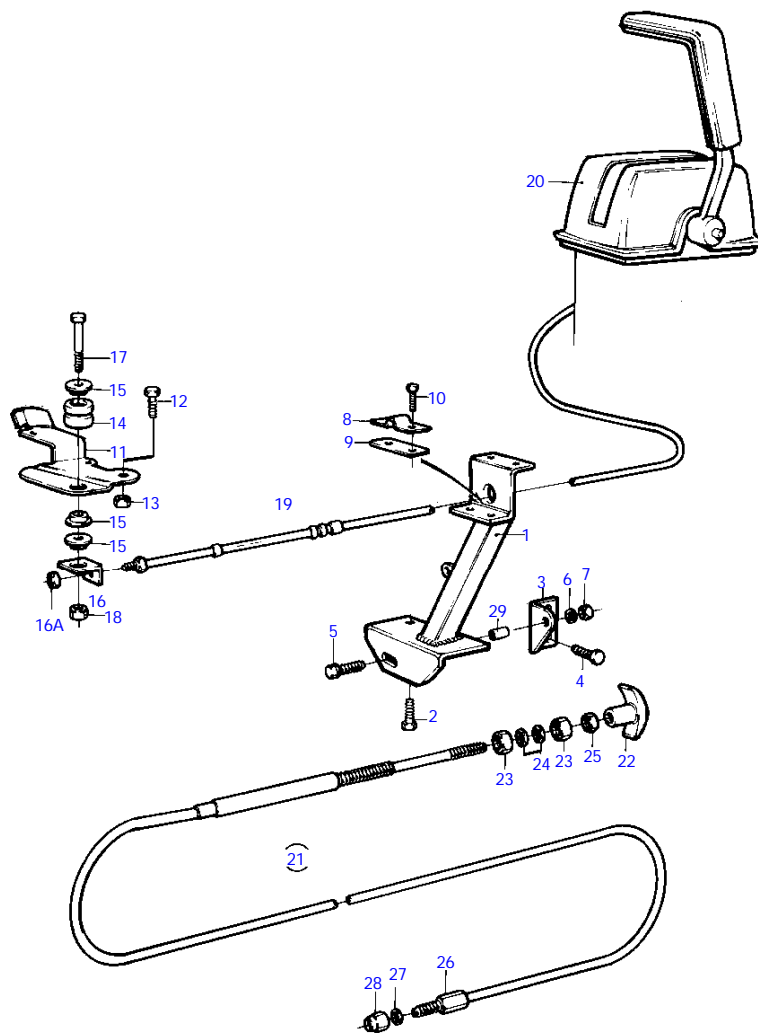


8500

TAMD31B

REF	PART NO.	QTY	DESCRIPTION	NOTES
1	858552	1	Bracket	
2	946471	1	Flange screw	L = 16 MM
	946441	1	Flange screw	L = 20 MM
3	838753	1	Bracket	
4	946440	2	Flange screw	
5	945444	1	Flange screw	L = 16 MM
	947542	1	Flange screw	L = 25 MM
6	191172	1	Washer	
7	948645	1	Flange lock nut	
8	21471054	1	Bracket	
9	819068	1	Washer	
10	956078	2	Cross recessed screw	
11	858261	1	Lever	
12	946544	1	Flange screw	
13	949278	1	Flange lock nut	
14	843109	1	Bushing	
15	843105	3	Spacer washer	
16	843107	1	Anchorage	
16A	951674	1	Lock nut	
17	955274	1	Hexagon screw	
18	949278	1	Flange lock nut	
19		1	CONTROL CABLE	SEE GROUP 9
20		1	REGLAGE	SEE GROUP 9
21	818478	1	Push pull control	L = 3300 MM, OBSOLETE PART
	818470	1	Push pull control	L = 6900 MM, OBSOLETE PART
22	829241	1	* Handle	
23	955857	2	* Hexagon nut	
24	955950	2	* Toothed washer	
25	955844	1	* Hexagon nut	
26	829070	1	Cable lock	
27	955894	2	Washer	
28	950363	1	Lock nut	OBSOLETE PART
29		1	Spacer sleeve	

AD31B

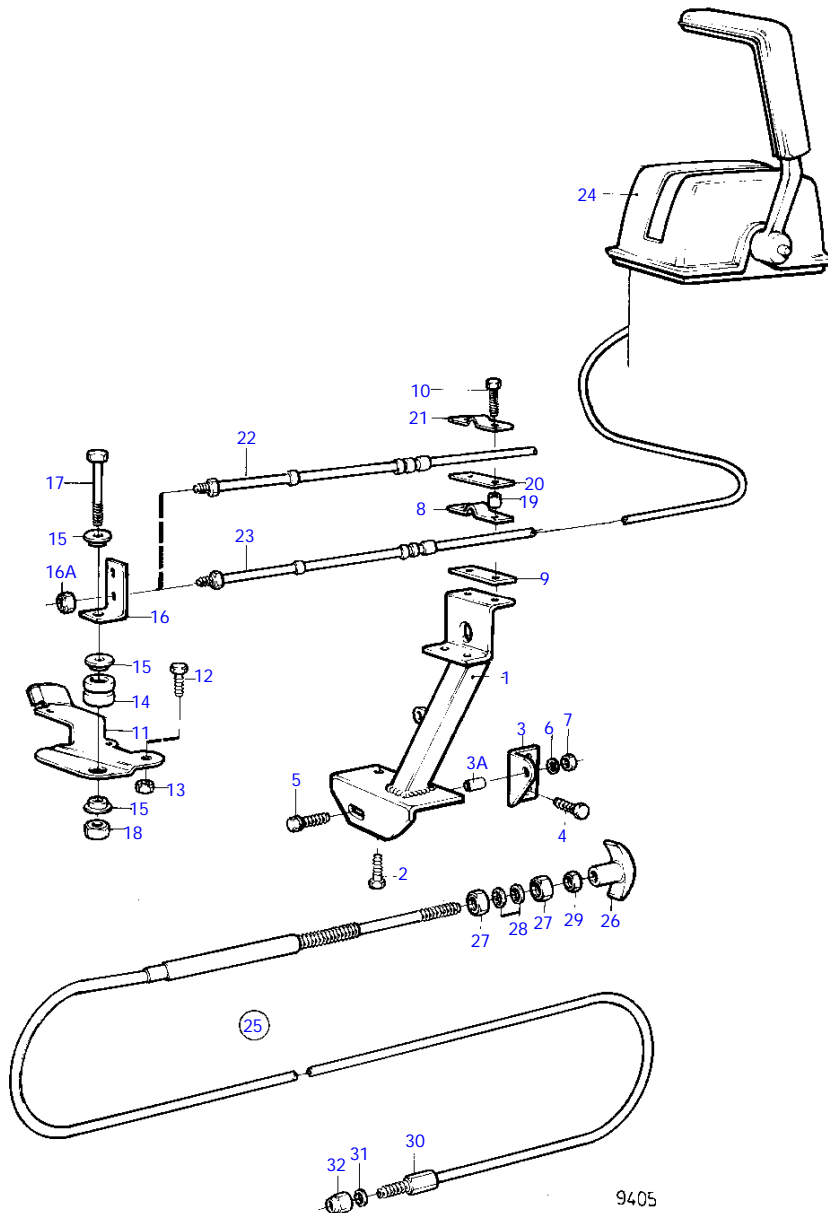


8500

AD31B

REF	PART NO.	QTY	DESCRIPTION	NOTES
1	858552	1	Bracket	
2	946471	1	Flange screw	L = 16 MM
	946441	1	Flange screw	L = 20 MM
3	838753	1	Bracket	
4	946440	2	Flange screw	
5	945444	1	Flange screw	L = 16 MM
	947542	1	Flange screw	L = 25 MM
6	191172	1	Washer	
7	948645	1	Flange lock nut	
8	21471054	1	Bracket	
9	819068	1	Washer	
10	956078	2	Cross recessed screw	
11	858261	1	Lever	
12	946544	1	Flange screw	
13	949278	1	Flange lock nut	
14	843109	1	Bushing	
15	843105	3	Spacer washer	
16	843107	1	Anchorage	
16A	951674	1	Lock nut	
17	955274	1	Hexagon screw	
18	949278	1	Flange lock nut	
19		1	CONTROL CABLE	SEE GROUP 9
20		1	REGLAGE	SEE GROUP 9
21	818478	1	Push pull control	L = 3300 MM, OBSOLETE PART
	818470	1	Push pull control	L = 6900 MM, OBSOLETE PART
22	829241	1	* Handle	
23	955857	2	* Hexagon nut	
24	955950	2	* Toothed washer	
25	955844	1	* Hexagon nut	
26	829070	1	Cable lock	
27	955894	2	Washer	
28	950363	1	Lock nut	OBSOLETE PART
29		1	Spacer sleeve	

TAMD31A

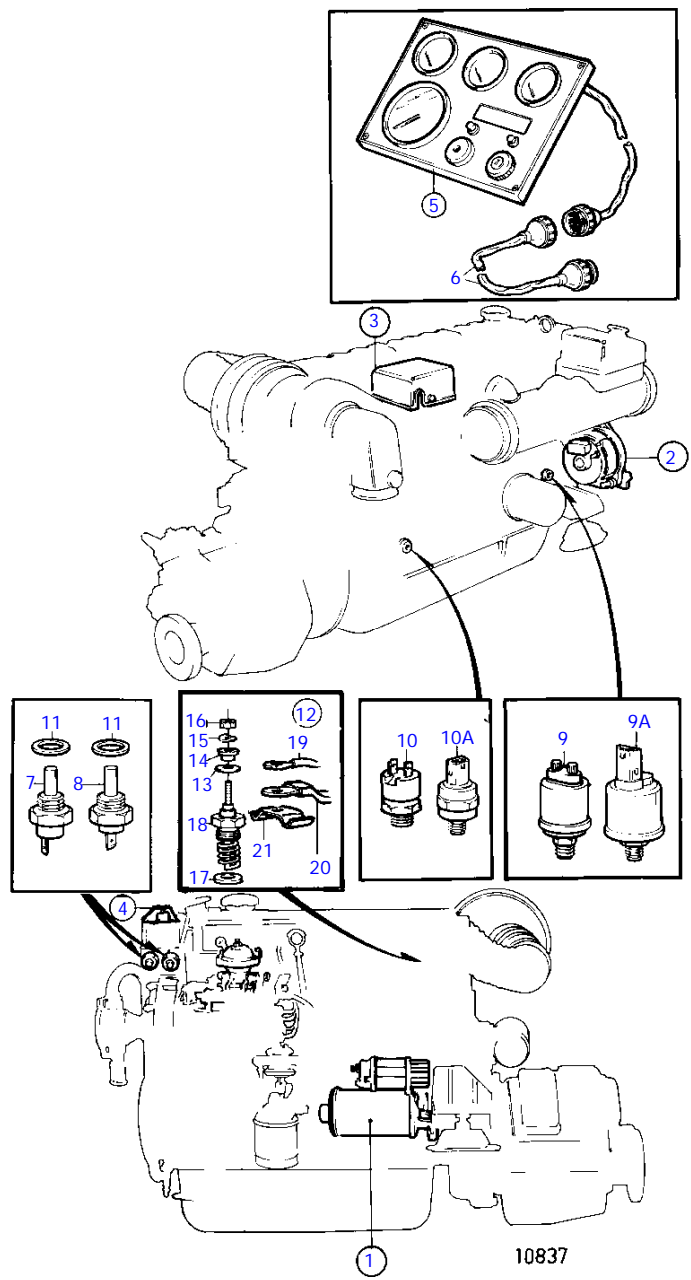


9405

TAMD31A

REF	PART NO.	QTY	DESCRIPTION	NOTES
1	858552	1	Bracket	
2	946471	1	Flange screw	L = 16 MM
	946441	1	Flange screw	L = 20 MM
3	838753	1	Bracket	
3A		1	Spacer sleeve	
4	946440	2	Flange screw	
5	945444	1	Flange screw	ALT.L = 16 MM
	947542	1	Flange screw	ALT.L = 25 MM
6	191172	1	Washer	
7	948645	1	Flange lock nut	
8	21471054	1	Bracket	
9	819068	1	Washer	
10	956081	2	Cross recessed screw	
11	858261	1	Lever	
12	946544	1	Flange screw	
13	949278	1	Flange lock nut	
14	843109	1	Bushing	
15	843105	3	Spacer washer	
16	859265	1	Anchorage	OBSOLETE PART
16A	951674	1	Lock nut	
17	955274	1	Hexagon screw	
18	949278	1	Flange lock nut	
19	841035	2	Spacer sleeve	
20	819068	1	Washer	
21	21471054	1	Bracket	
22	1140173	1	Control cable	(820298) SEE GROUP 2B
23		X	CONTROL CABLE	SEE GROUP 9
24		X	CONTROL	SEE GROUP 9
25	818478	1	Push pull control	L = 3300 MM, OBSOLETE PART
	818470	1	Push pull control	L = 6900 MM, OBSOLETE PART
26	829241	1	* Handle	
27	955857	2	* Hexagon nut	
28	955950	2	* Toothed washer	
29	955844	1	* Hexagon nut	
30	829070	1	Cable lock	
31	955894	2	Washer	
32	950363	1	Lock nut	OBSOLETE PART

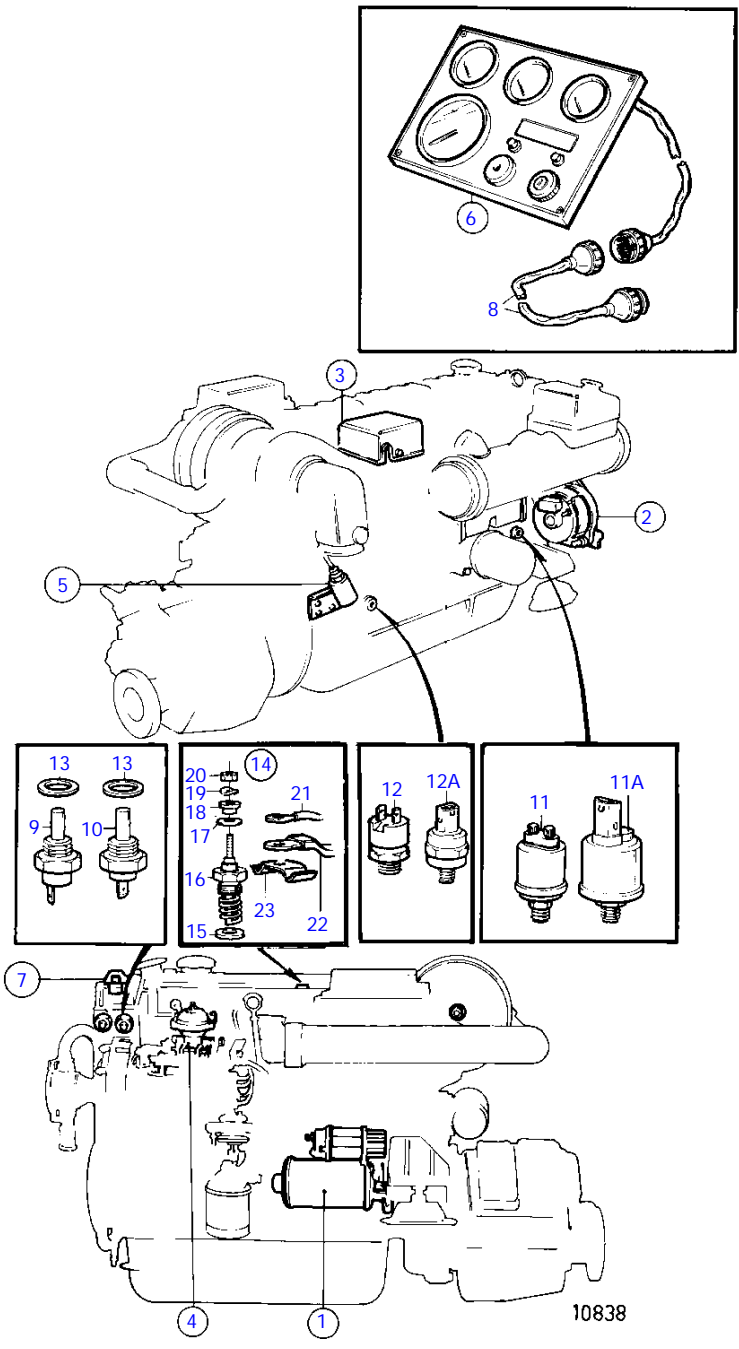
MD31A



MD31A

REF	PART NO.	QTY	DESCRIPTION	SEE SEC.	NOTES
1		1	STARTER MOTOR AND INSTALLATION COMPONENTS	19220	
2		1	ALTERNATOR AND INSTALLATION COMPONENTS	19216	
3		1	ELECTRICAL BOX AND INSTALLATION COMPONENTS	19247	
4		1	RELAY WITH INSTALLATION COMPONENTS	19239	
5	838809	1	Instrument panel		PRODUCT NO.868159,868160 SN-2203104513
			*	19231	
	858865	1	Instrument panel		SN2203104514-2203107499, REPL BY 859099
			*	19232	
	859099	1	Instrument panel		SN2203107500-2203111605, REPL BY 864040
			*	19231	
	864040	1	Instrument panel		SN2203111606-
			*	19233	
6	846648	X	Extension cable'verl		CPC, L = 3000 MM
	846649	X	Extension cable'verl		CPC, L = 5000 MM
	846650	X	Extension cable'verl		CPC, L = 7000 MM
7	833927	1	Thermo monitor		12V 93°C
8	827151	1	Temperature sensor		12V 40-120°C
9	843231	1	Oil pressure sensor		SN-2203114322
9A	862155	1	Oil pressure sensor		SN2203114323-
10	864284	1	Pressure monitor		SN-2203114322
10A	863169	1	Pressure monitor		SN2203114323-
11	957181	2	Gasket		
12	876132	1	Glow plug		PRODUCT NO.868159,868160
13		1	* O-RING		PRODUCT NO.868159,868160
14	859328	1	* Thrust sleeve		PRODUCT NO.868159,868160
15	941905	1	* Spring washer		PRODUCT NO.868159,868160
16	965483	1	* Flange nut		PRODUCT NO.868159,868160
17	859211	1	* Sealing ring		PRODUCT NO.868159,868160
18		1	* GLOW PLUG		PRODUCT NO.868159,868160
19	860173	1	Cable kit		PRODUCT NO.868159,868160, ALT
20	860273	1	Rail		OBSOLETE PART, PRODUCT NO.868159,868160, ALT
21	860044	1	Switch brace		PRODUCT NO.868159,868160, NOT TO BE USED WHERE CONTACT PLATE 860044 SHALL BE USED., ALT

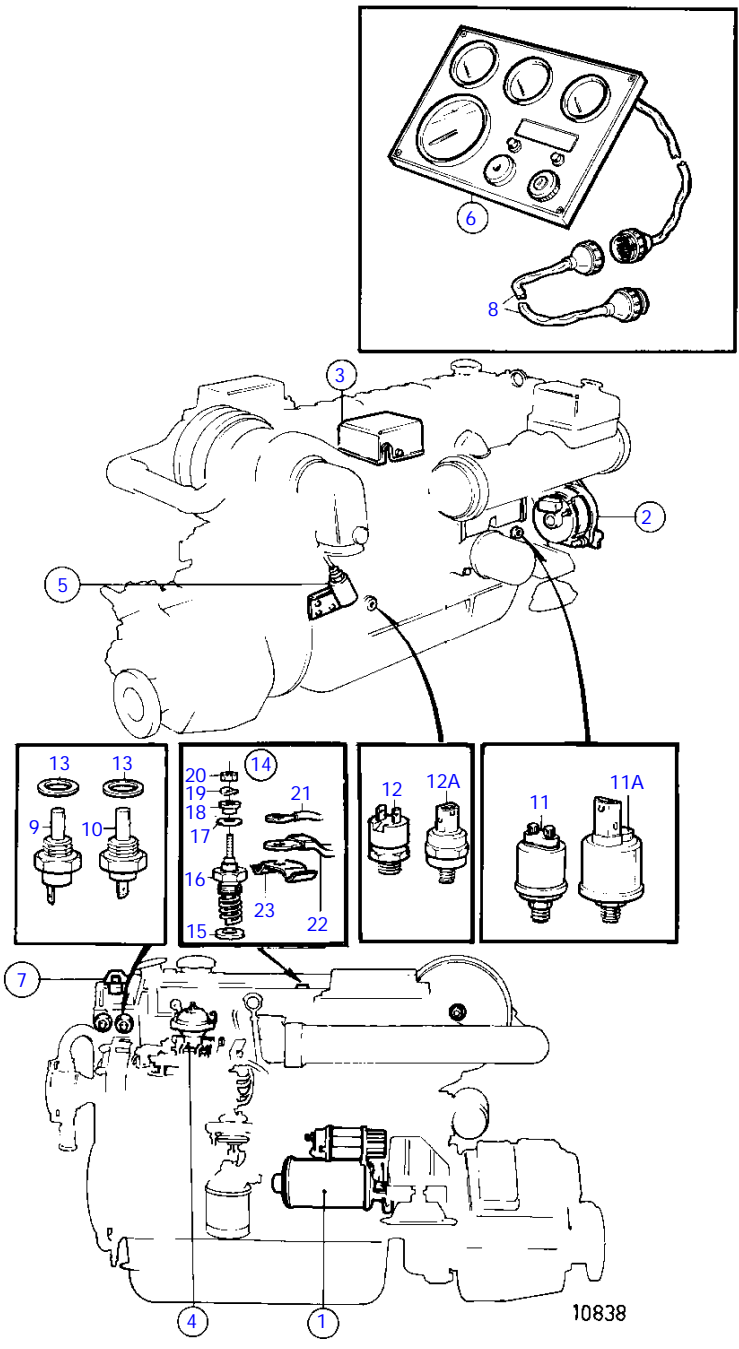
TMD31A



TMD31A

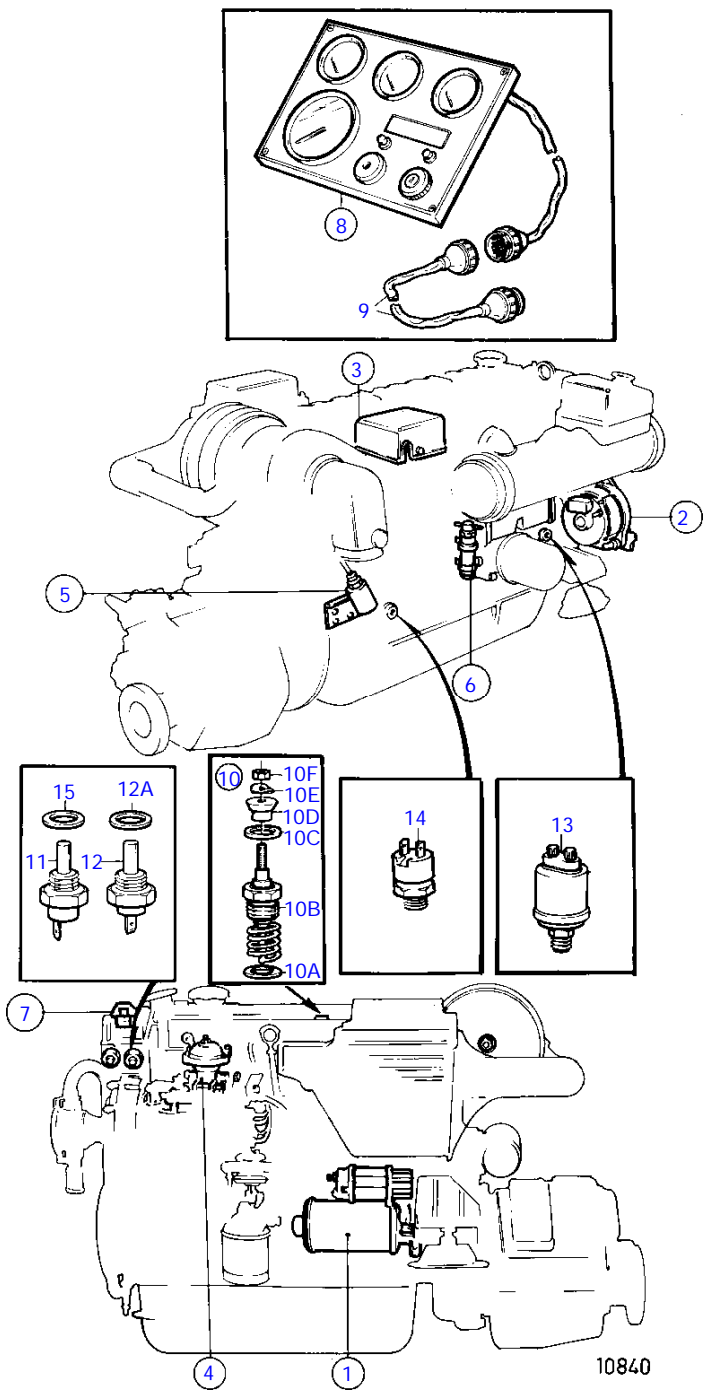
REF	PART NO.	QTY	DESCRIPTION	SEE SEC.	NOTES
1		1	STARTER MOTOR WITH INSTALLATION COMPONENTS	19220	
2		1	ALTERNATOR WITH INSTALLATION COMPONENTS	19216	
3		1	ELECTRICAL BOX WITH INSTALLATION COMPONENTS	19247	
4		1	MICRO SWITCH WITH INSTALLATION COMPONENTS	19236	
5		1	SOLENOID WITH INSTALLATION COMPONENTS	19234	
6	838809	1	Instrument panel		SN-2203104513
		*		19231	
	858865	1	Instrument panel		SN2203104514-2203107499, REPL BY 859099
		*		19232	
	859099	1	Instrument panel		SN2203107500-2203111605, REPL BY 864040
		*		19231	
	864040	1	Instrument panel		SN2203111606-
		*		19233	
		*		19233	
7		1	RELAY WITH INSTALLATION COMPONENTS	19239	
					PRODUCT NO.868285
8	846648	X	Extension cable'verl		CPC, L = 3000 MM
	846649	X	Extension cable'verl		CPC, L = 5000 MM
	846650	X	Extension cable'verl		CPC, L = 7000 MM
9	833927	1	Thermo monitor		12V,93°C
10	827151	1	Temperature sensor		12V,40-120°C
11	843231	1	Oil pressure sensor		
12	864284	1	Pressure monitor		(848367)
13	957181	2	Gasket		
14	876132	1	Glow plug		
15	859211	1	* Sealing ring		
16		1	* GLOW PLUG		
17		1	* O-RING		NOT TO BE USED WHERE CONTACT PLATE 860044 SHALL BE USED.
18	859328	1	* Thrust sleeve		
19	941905	1	* Spring washer		
20	965483	1	* Flange nut		
21	860173	1	Cable kit		ALT
22	859450	1	Rail		ALT
23	860044	1	Switch brace		PRODUCT NO.868285, ALT

TMD31B



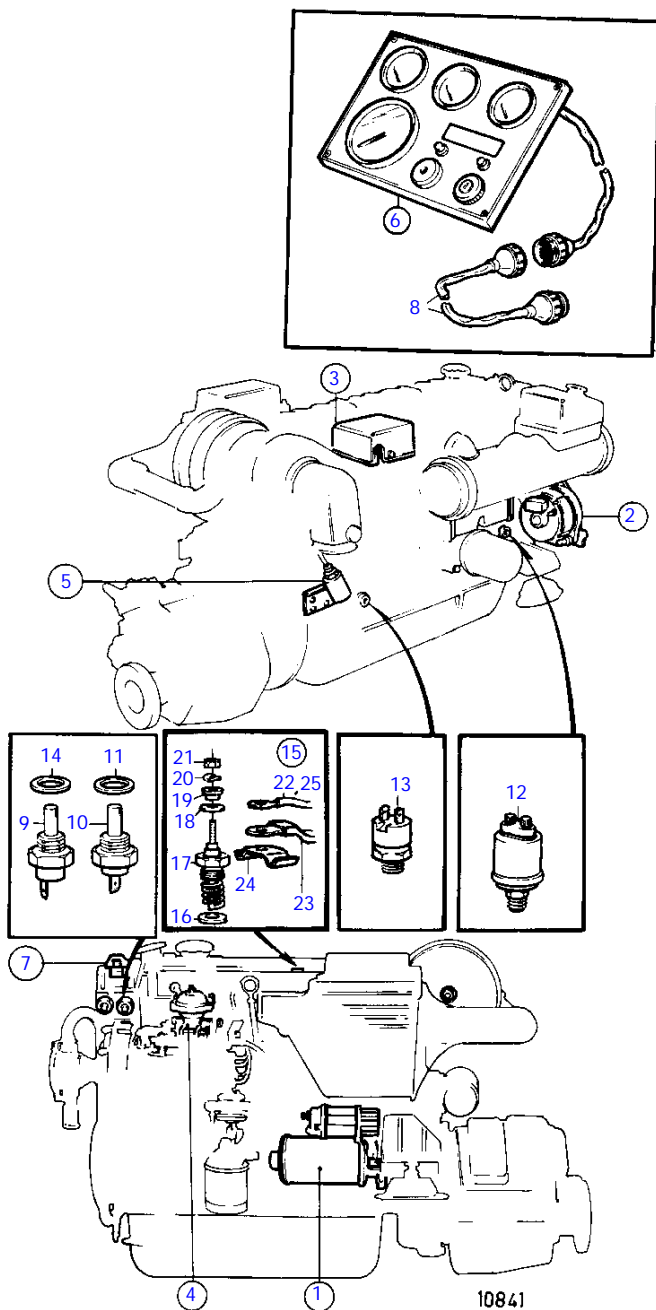
TMD31B

REF	PART NO.	QTY	DESCRIPTION	SEE SEC.	NOTES
1		1	STARTER MOTOR WITH INSTALLATION COMPONENTS	19222	
2		1	ALTERNATOR AND INSTALLATION COMPONENTS	19217	
3		1	ELECTRICAL BOX WITH INSTALLATION COMPONENTS	19249	
6	864040	1	Instrument panel		
7		1	RELAY WITH INSTALLATION COMPONENTS	19239	
8	846648	X	Extension cable'verl		CPC, L = 3000 MM
	846649	X	Extension cable'verl		CPC, L = 5000 MM
	846650	X	Extension cable'verl		CPC, L = 7000 MM
9	833927	1	Thermo monitor		12V,93°C
10	827151	1	Temperature sensor		12V,40-120°C
11	843231	1	Oil pressure sensor		SN-2203114322
11A	862155	1	Oil pressure sensor		SN2203114323-
12	864284	1	Pressure monitor		SN-2203114322
12A	863169	1	Pressure monitor		SN2203114323-
13	957181	2	Gasket		
14	876132	1	Glow plug		PRODUCT NO.868285
15	859211	1	* Sealing ring		PRODUCT NO.868285
16		1	* GLOW PLUG		PRODUCT NO.868285
17		1	* O-RING		NOT TO BE USED WHERE CONTACT PLATE 860044 SHALL BE USED., PRODUCT NO.868285
18	859328	1	* Thrust sleeve		PRODUCT NO.868285
19	941905	1	* Spring washer		PRODUCT NO.868285
20	965483	1	* Flange nut		PRODUCT NO.868285
21	860173	1	Cable kit		PRODUCT NO.868285, ALT
22	859450	1	Rail		PRODUCT NO.868285, ALT
23	860044	1	Switch brace		PRODUCT NO.868285, ALT



REF	PART NO.	QTY	DESCRIPTION	SEE SEC.	NOTES
1		1	STARTER MOTOR WITH INSTALLATION COMPONENTS	19223	
2		1	ALTERNATOR WITH INSTALLATION COMPONENTS	19219	
3		1	ELECTRICAL BOX WITH INSTALLATION COMPONENTS	19250	
4		1	MICRO SWITCH WITH INSTALLATION COMPONENTS	19237	
5		1	SOLENOID WITH INSTALLATION COMPONENTS	19235	
6		1	TILT SWITCH WITH INSTALLATION COMPONENTS	19238	
7		1	RELAY WITH INSTALLATION COMPONENTS	19239	
8	859063	1	Instrument panel		24V REPL BY 864041
			*	19231	
	864041	1	Instrument panel		24V
			*	19232	
9	846648	X	Extension cable'verl		L = 3000 MM
	846649	X	Extension cable'verl		L = 5000 MM
	846650	X	Extension cable'verl		L = 7000 MM
10	876132	1	Glow plug		
10A	859211	1	* Sealing ring		
10B		1	* GLOW PLUG		
10C		1	* O-RING		
10D	859328	1	* Thrust sleeve		
10E	941905	1	* Spring washer		
10F	965483	1	* Flange nut		
11	858229	1	Thermo monitor		24V
12	862326	1	Sensor kit		24V
12A	947624	1	* Gasket		
13	862324	1	Oil pressure sensor		
14	864284	1	Pressure monitor		(848367)
15	957181	1	Gasket		

TAMD31A



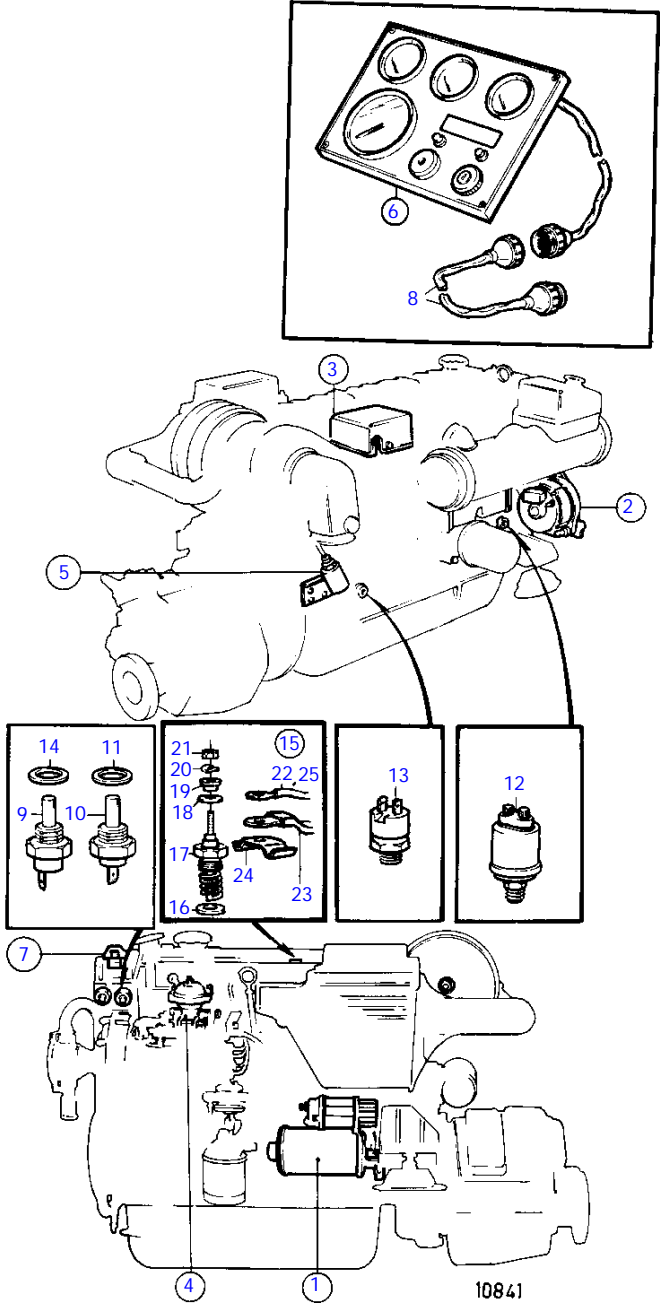
TAMD31A

REF	PART NO.	QTY	DESCRIPTION	SEE SEC.	NOTES
1		1	STARTER MOTOR WITH INSTALLATION COMPONENTS	19220	
2		1	ALTERNATOR WITH INSTALLATION COMPONENTS	19216	
3		1	ELECTRICAL BOX WITH INSTALLATION COMPONENTS	19247	
4		1	MICRO SWITCH WITH INSTALLATION COMPONENTS		FOR ENGINES WITH WET EXHAUST LINE
5		1	SOLENOID WITH INSTALLATION COMPONENTS	19236	PRODUCT NO.867965,867966,867967,868321,868325,868327,868329,868330,868330, FOR ENGINES WITH WET EXHAUST LINE
		1	SOLENOID WITH INSTALLATION COMPONENTS	19234	PRODUCT NO.868322,868326,868328.
					SEE GROUP 9
6	838809	1	Instrument panel		PRODUCT NO.867965,867966,868321,868322,868325,865326, SN-2203104513
		*		19231	
	858865	1	Instrument panel		PRODUCT NO.867965,867966,868321,868322,868325,865326, SN2203104514-2203107499, REPL BY 859099
		*		19232	
	859099	1	Instrument panel		PRODUCT NO.867965,867966,868321,868322,868325,868326, 868330, SN2203107500-2203111605, 12V
		*		19231	
	864040	1	Instrument panel		PRODUCT NO.867965,867966,868321,868322,868325,868326, 868330, 12V, SN2203111606-
		*		19233	
		*		19231	
		*		19232	
		*		19231	
		*		19233	
	858086	1	Instrument panel		OBSOLETE PART, PRODUCT NO.868327,868328, SN-2203104513
		*		19231	
	858866	1	Instrument panel		OBSOLETE PART, PRODUCT NO.868327,868328, SN2203104514-2203107499, REPL BY 859063
		*		19232	
	859063	1	Instrument panel		PRODUCT NO.868327,868328,868331, SN2203107500-
		*		19231	
	864041	1	Instrument panel		PRODUCT NO.868327,868328,868331, 24V
		*		19232	
7		1	RELAY WITH INSTALLATION COMPONENTS	19239	
8	846648	X	Extension cable'verl		CPC, L = 3000 MM
	846649	X	Extension cable'verl		CPC, L = 5000 MM
	846650	X	Extension cable'verl		CPC, L = 7000 MM
9	833927	1	Thermo monitor		PRODUCT NO.867965,867966,868321,868322,868325,868326, 868330, 12V
	858229	1	Thermo monitor		PRODUCT NO.868327,868328,868331, 24V
10	827151	1	Temperature sensor		PRODUCT NO.867965,867966,868321,868322,868325,868326, 868330, 12V
	862326	1	Sensor kit		PRODUCT NO.868327,868328,868331, 24V
11	947624	1	* Gasket		PRODUCT NO.868327,868328,868331, INCLUDED IN 862326.
	957181	1	Gasket		PRODUCT NO.867965,867966,868321,868322,868325,868326, 868330
12	843231	1	Oil pressure sensor		PRODUCT NO.867965,867966,868321,868322,868325,868326, 868330
	862324	1	Oil pressure sensor		PRODUCT NO.868327,868328,868331
13	864284	1	Pressure monitor		(848367)
14	957181	2	Gasket		PRODUCT NO.867965,867966,868321,868322,868325,868326, 868330
	957181	1	Gasket		PRODUCT NO.868327,868328,868331
15	876132	1	Glow plug		PRODUCT NO.867965,867966,868321,868322,868325,868326, 868330
	876132	1	Glow plug		PRODUCT NO.868327,868328,868331
16	859211	1	* Sealing ring		PRODUCT NO.867965,867966,868321,868322,868325,868326, 868330
	859211	1	* Sealing ring		PRODUCT NO.868327,868328,868331
17		1	* GLOW PLUG		PRODUCT NO.867965,867966,868321,868322,868325,868326, 868330
		1	* GLOW PLUG		PRODUCT NO.868327,868328,868331
18		1	* O-RING		PRODUCT NO.867965,867966,868321,868322,868325,868326, 868330, NOT TO BE USED WHERE CONTACT PLATE 860044 SHALL BE USED.
		1	* O-RING		PRODUCT NO.868327,868328,868331
19	859328	1	* Thrust sleeve		PRODUCT NO.867965,867966,868321,868322,868325,868326, 868330
	859328	1	* Thrust sleeve		PRODUCT NO.868327,868328,868331
20	941905	1	* Spring washer		PRODUCT NO.867965,867966,868321,868322,868325,868326, 868330
	941905	1	* Spring washer		PRODUCT NO.868327,868328,868331
21	965483	1	* Flange nut		PRODUCT NO.867965,867966,868321,868322,868325,868326, 868330
	965483	1	* Flange nut		PRODUCT NO.868327,868328,868331
22	860173	1	Cable kit		
23	859450	1	Rail		PRODUCT NO.867965,867966,868321,868322,868325,868326, 868330
	849451	1	Cover		OBSOLETE PART, PRODUCT NO.868327,868328,868331, GLOW PLUG 1-2

TAMD31A

REF	PART NO.	QTY	DESCRIPTION	SEE SEC.	NOTES
	849450	1	Cover		PRODUCT NO.868327,868328,868331, GLOW PLUG 2-3
	859449	1	Rail		PRODUCT NO.868327,868328,868331, GLOW PLUG 3-4
24	860044	1	Switch brace		PRODUCT NO.867965,867966,868321,868322,868325,868326, 868330
25		X	CABLES AND TERMINALS		PRODUCT NO.868327,868328,868331, GROUND WIRE
				19240	

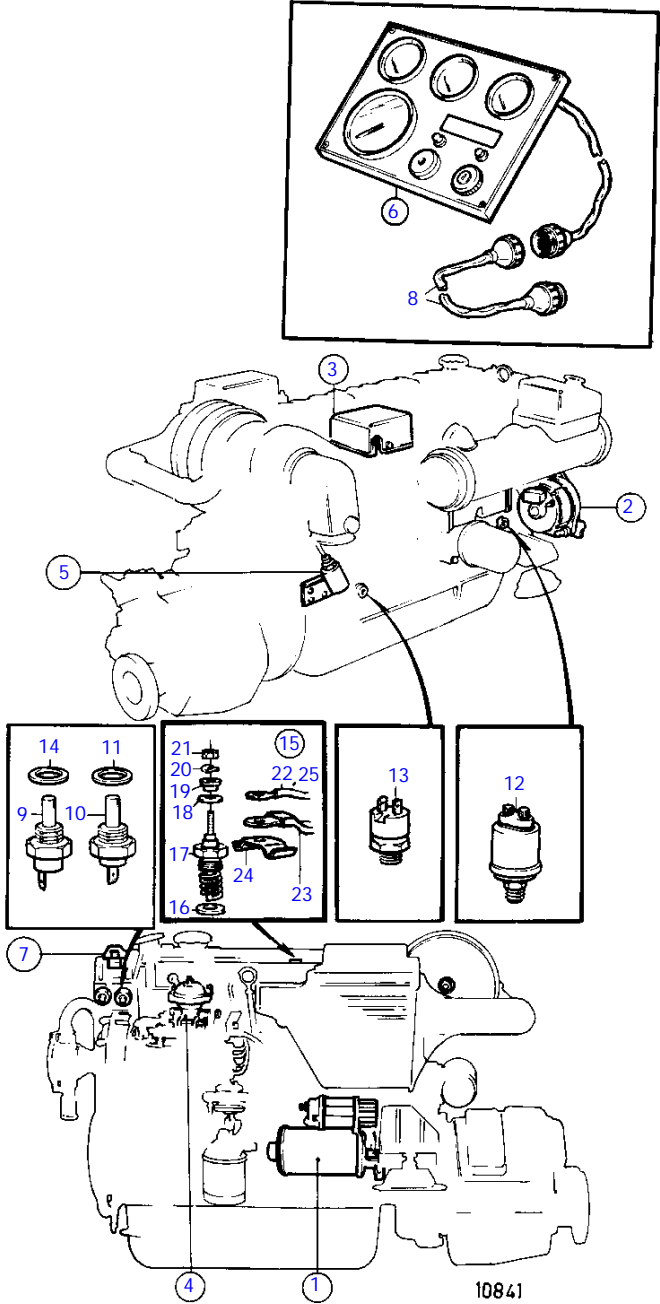
AQAD31A



AQAD31A

REF	PART NO.	QTY	DESCRIPTION	SEE SEC.	NOTES
1		1	STARTER MOTOR WITH INSTALLATION COMPONENTS	19221	
2		1	ALTERNATOR WITH INSTALLATION COMPONENTS	19218	
3		1	ELECTRICAL BOX WITH INSTALLATION COMPONENTS	19248	
4		1	MICRO SWITCH WITH INSTALLATION COMPONENTS		FOR ENGINES WITH WET EXHAUST LINE
5		1	SOLENOID WITH INSTALLATION COMPONENTS		PRODUCT NO 867965,867966,867967,868321,868325,868327, 868329,868330,868330, FOR ENGINES WITH WET EXHAUST LINE
6	838809	1	Instrument panel		SN-2203104513
	858865	1	Instrument panel		SN2203104514-2203107499, REPL BY 859099
	859099	1	Instrument panel		SN2203107500-2203111605, REPL BY 864040
	864040	1	Instrument panel		12V, SN2203111606-
7		1	RELAY WITH INSTALLATION COMPONENTS	19239	
8	846648	X	Extension cable'verl		CPC, L = 3000 MM
	846649	X	Extension cable'verl		CPC, L = 5000 MM
	846650	X	Extension cable'verl		CPC, L = 7000 MM
9	833927	1	Thermo monitor		12V
10	827151	1	Temperature sensor		12V
12	843231	1	Oil pressure sensor		
13	864284	1	Pressure monitor		(848367)
14	957181	2	Gasket		
15	876132	1	Glow plug		
16	859211	1	* Sealing ring		
17		1	* GLOW PLUG		
18		1	* O-RING		NOT TO BE USED WHERE CONTACT PLATE 860044 SHALL BE USED.
19	859328	1	* Thrust sleeve		
20	941905	1	* Spring washer		
21	965483	1	* Flange nut		
22	860173	1	Cable kit		
23	859450	1	Rail		
24	860044	1	Switch brace		

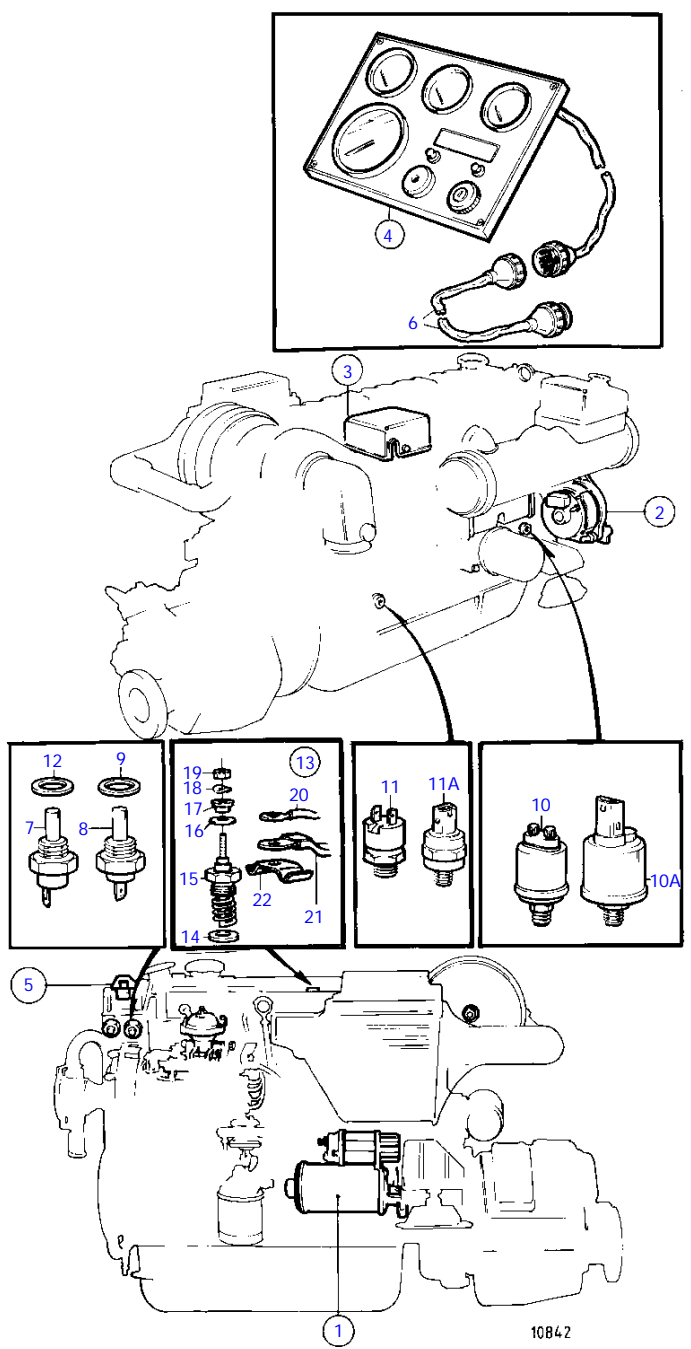
AD31A



AD31A

REF	PART NO.	QTY	DESCRIPTION	SEE SEC.	NOTES
1		1	STARTER MOTOR WITH INSTALLATION COMPONENTS	19221	
2		1	ALTERNATOR WITH INSTALLATION COMPONENTS	19218	
3		1	ELECTRICAL BOX WITH INSTALLATION COMPONENTS	19248	
4		1	MICRO SWITCH WITH INSTALLATION COMPONENTS		FOR ENGINES WITH WET EXHAUST LINE
5		1	SOLENOID WITH INSTALLATION COMPONENTS		PRODUCT NO 867965,867966,867967,868321,868325,868327, 868329,868330,868330, FOR ENGINES WITH WET EXHAUST LINE
6	838809	1	Instrument panel		SN-2203104513
	858865	1	Instrument panel		SN2203104514-2203107499, REPL BY 859099
	859099	1	Instrument panel		SN2203107500-2203111605, REPL BY 864040
	864040	1	Instrument panel		12V, SN2203111606-
7		1	RELAY WITH INSTALLATION COMPONENTS	19239	
8	846648	X	Extension cable'verl		CPC, L = 3000 MM
	846649	X	Extension cable'verl		CPC, L = 5000 MM
	846650	X	Extension cable'verl		CPC, L = 7000 MM
9	833927	1	Thermo monitor		12V
10	827151	1	Temperature sensor		12V
12	843231	1	Oil pressure sensor		
13	864284	1	Pressure monitor		(848367)
14	957181	2	Gasket		
15	876132	1	Glow plug		
16	859211	1	* Sealing ring		
17		1	* GLOW PLUG		
18		1	* O-RING		NOT TO BE USED WHERE CONTACT PLATE 860044 SHALL BE USED.
19	859328	1	* Thrust sleeve		
20	941905	1	* Spring washer		
21	965483	1	* Flange nut		
22	860173	1	Cable kit		
23	859450	1	Rail		
24	860044	1	Switch brace		

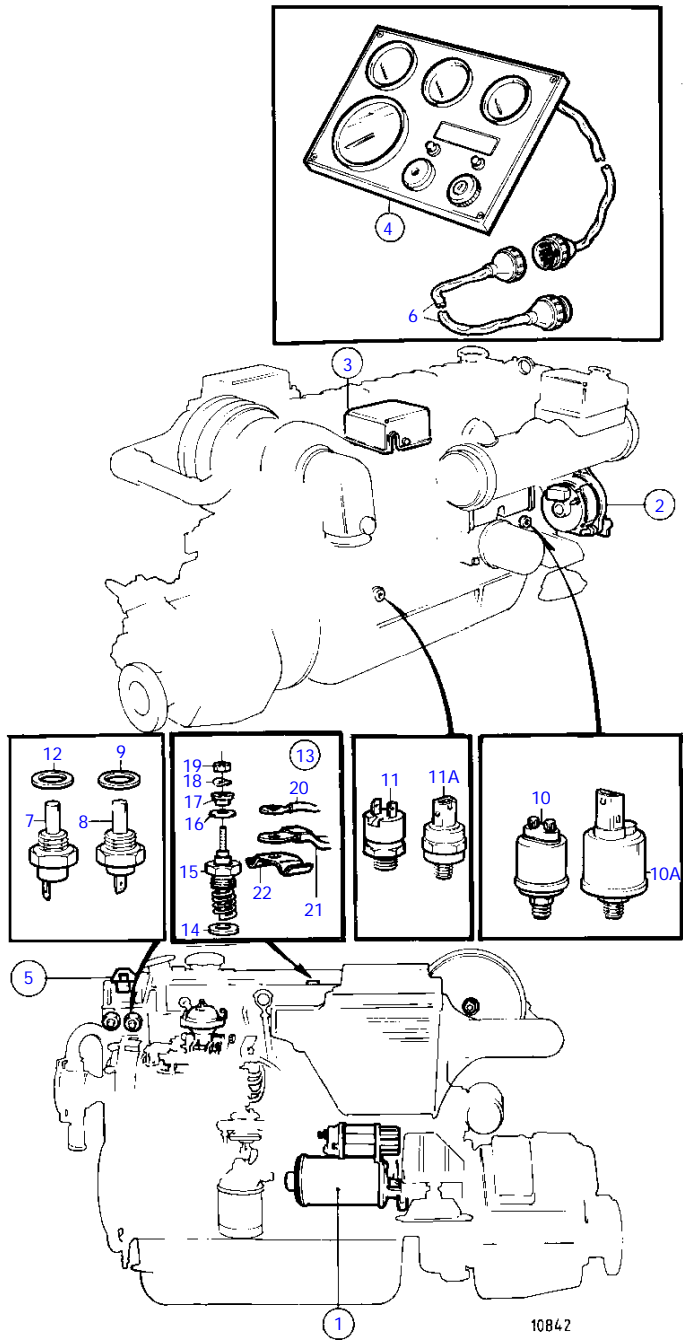
TAMD31B



TAMD31B

REF	PART NO.	QTY	DESCRIPTION	SEE SEC.	NOTES
1		1	STARTER MOTOR WITH INSTALLATION COMPONENTS	19222	
2		1	ALTERNATOR WITH INSTALLATION COMPONENTS	19217	
3		1	ELECTRICAL BOX WITH INSTALLATION COMPONENTS	19249	
4	864040	1	Instrument panel		
			*	19233	
5		1	RELAY WITH INSTALLATION COMPONENTS	19239	
			INSTALLATION COMPONENTS		PRODUCT NO.868348
6	846648	X	Extension cable'verl		PRODUCT NO.868286
	846649	X	Extension cable'verl		CPC, L = 3000 MM
	846650	X	Extension cable'verl		CPC, L = 5000 MM
					CPC, L = 7000 MM
7	833927	1	Thermo monitor		12V,93°C
8	827151	1	Temperature sensor		12V,40-120°C
9	957181	1	Gasket		
10	843231	1	Oil pressure sensor		SN-2203114322
10A	862155	1	Oil pressure sensor		SN2203114323-
11	864284	1	Pressure monitor		PRODUCT NO.868182,868183,868332, SN-2203114322
11A	863169	1	Pressure monitor		PRODUCT NO.868182,868183,868332, SN2203114323-
12	957181	1	Gasket		
13	876132	1	Glow plug		PRODUCT NO.868348
14	859211	1	* Sealing ring		
15		1	* GLOW PLUG		
16		1	* O-RING		NOT TO BE USED WHERE CONTACT PLATE 860044 SHALL BE USED.
17	859328	1	* Thrust sleeve		
18	941905	1	* Spring washer		
19	965483	1	* Flange nut		
20	860173	1	Cable kit		ALT
21	859450	1	Rail		ALT
22	860044	1	Switch brace		ALT

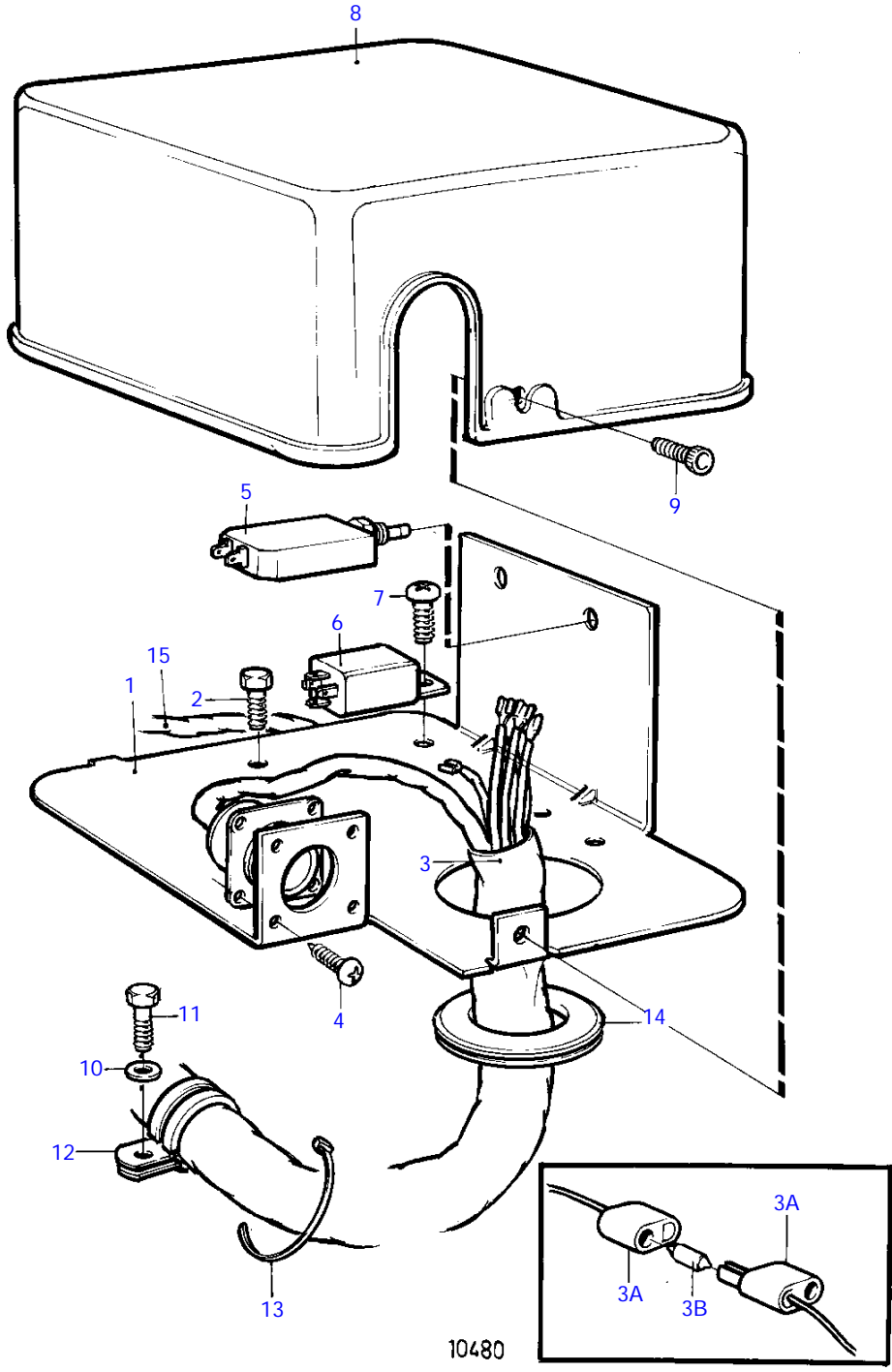
AD31B



AD31B

REF	PART NO.	QTY	DESCRIPTION	SEE SEC.	NOTES
1		1	STARTER MOTOR WITH INSTALLATION COMPONENTS	19224	
2		1	ALTERNATOR WITH INSTALLATION COMPONENTS	19217	
3		1	ELECTRICAL BOX WITH INSTALLATION COMPONENTS	19249	
4	864040	1	Instrument panel		
5		1	RELAY WITH	19239	
6	846648	X	Extension cable'verl		CPC, L = 3000 MM
	846649	X	Extension cable'verl		CPC, L = 5000 MM
	846650	X	Extension cable'verl		CPC, L = 7000 MM
7	833927	1	Thermo monitor		12V, 93°C
8	827151	1	Temperature sensor		12V, 40-120°C
9	957181	1	Gasket		
10	843231	1	Oil pressure sensor		SN-2203114322
10A	862155	1	Oil pressure sensor		SN2203114323-
11	864284	1	Pressure monitor		PRODUCT NO.868182,868183,868332, SN-2203114322
11A	863169	1	Pressure monitor		PRODUCT NO.868182,868183,868332, SN2203114323-
12	957181	1	Gasket		
13	876132	1	Glow plug		PRODUCT NO.868286
14	859211	1	* Sealing ring		
15		1	* GLOW PLUG		
16		1	* O-RING		NOT TO BE USED WHERE CONTACT PLATE 860044 SHALL BE USED.
17	859328	1	* Thrust sleeve		
18	941905	1	* Spring washer		
19	965483	1	* Flange nut		
20	860173	1	Cable kit		ALT
21	859450	1	Rail		ALT
22	860044	1	Switch brace		ALT

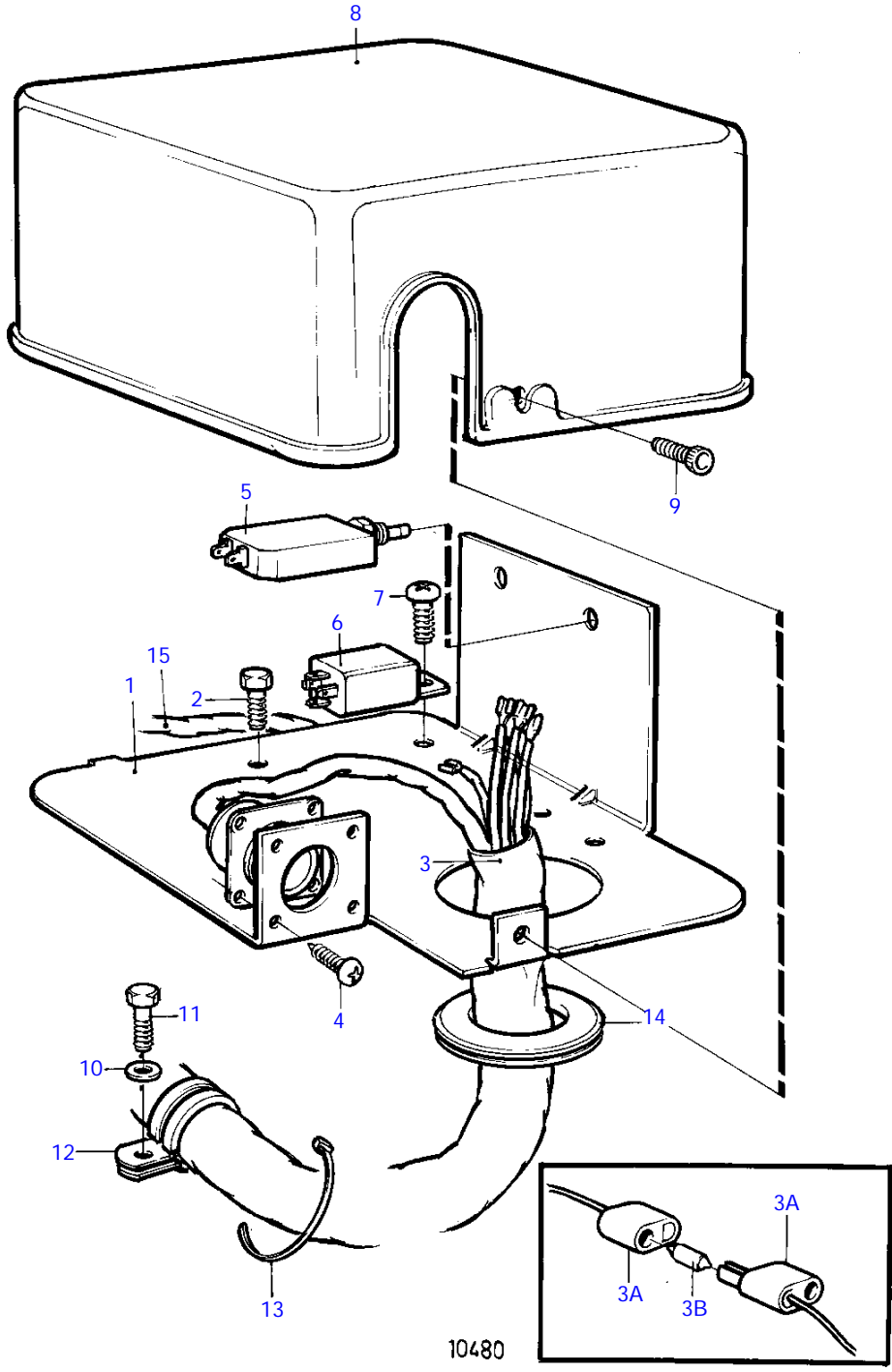
MD31A



MD31A

REF	PART NO.	QTY	DESCRIPTION	NOTES
1	838852	1	Bracket	SN-2203114322
	860366	1	Bracket	SN2203114323-
2	965175	3	Flange screw	
3	838723	1	Cable trunk	PRODUCT NO.867956,867959, OBSOLETE PART
	859226	1	Cable trunk	PRODUCT NO.868159,868160, SN-2203114322
	860022	1	Wiring harness	PRODUCT NO.868159,868160, SN2203114323-
				REPL BY 859226
				REPL BY 859049
	966334	1	* Fuse holder	INCLUDED IN CABLE UNIT 859226
	942785	1	* Fuse	FOR EXHAUST PRESSURE REGULATOR, INCLUDED IN CABLE UNIT 859226, 12V
4	955119	4	Cross recessed screw	
5	966689	1	Fuse	
6	846762	1	Relay	12V 50A SN-2203114322
	860339	1	Relay	12V 50A SN2203114323-
7	956090	1	Cross recessed screw	M6 FOR 846762
	956074	1	Cross recessed screw	M5 FOR 860339
	956074	1	Cross recessed screw	
8	838808	1	Cover	
9	846736	1	Lock screw	
10	942767	1	Toothed washer	PRODUCT NO.867965,867966,868321,868325,868330
11	946440	1	Flange screw	PRODUCT NO.867965,867966,868321,868325,868330
12	949786	2	Clamp	
13	948210	X	Cable tie	
14		1	BUSHING	
15		1	Ground Cable	

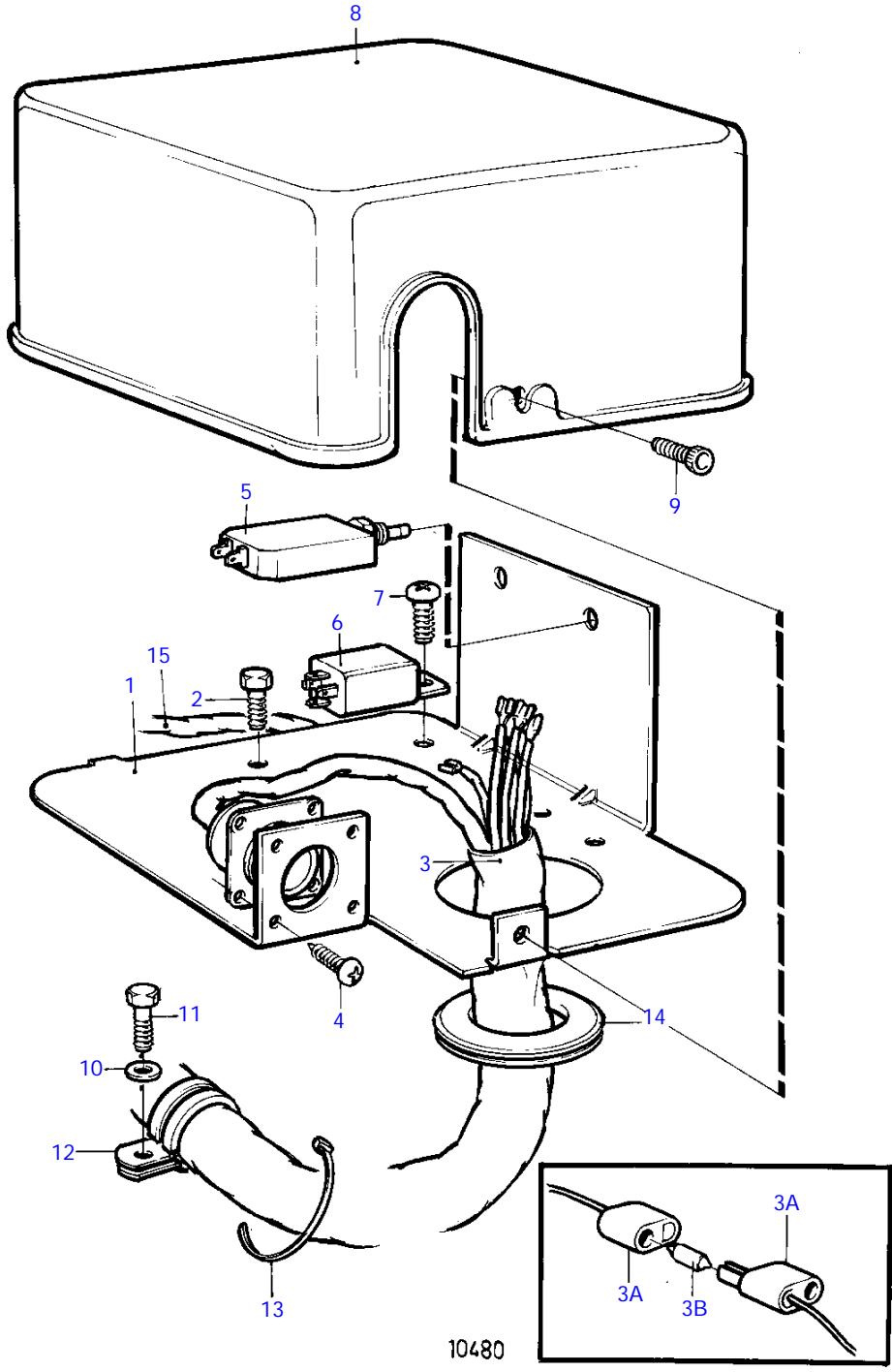
TMD31A



TMD31A

REF	PART NO.	QTY	DESCRIPTION	NOTES
1	838852	1	Bracket	
2	965175	3	Flange screw	
3	858757	1	Cable trunk	REPL BY 859226
	859226	1	Cable trunk	12V
	966334	1	* Fuse holder	INCLUDED IN CABLE UNIT 859226
	942785	1	* Fuse	FOR EXHAUST PRESSURE REGULATOR, INCLUDED IN CABLE UNIT 859226, 12V
4	955119	4	Cross recessed screw	
5	966689	1	Fuse	
6	846762	1	Relay	12V 50A
	853545	1	Relay kit	(853544) 12V 30A
7	956090	1	Cross recessed screw	
	956074	1	Cross recessed screw	
8	838808	1	Cover	
9	846736	1	Lock screw	
10	942767	1	Toothed washer	PRODUCT NO.867965,867966,868321,868325,868330
11	946440	1	Flange screw	PRODUCT NO.867965,867966,868321,868325,868330
12	949786	2	Clamp	
13	948210	X	Cable tie	
14		1	BUSHING	
15		1	Ground Cable	

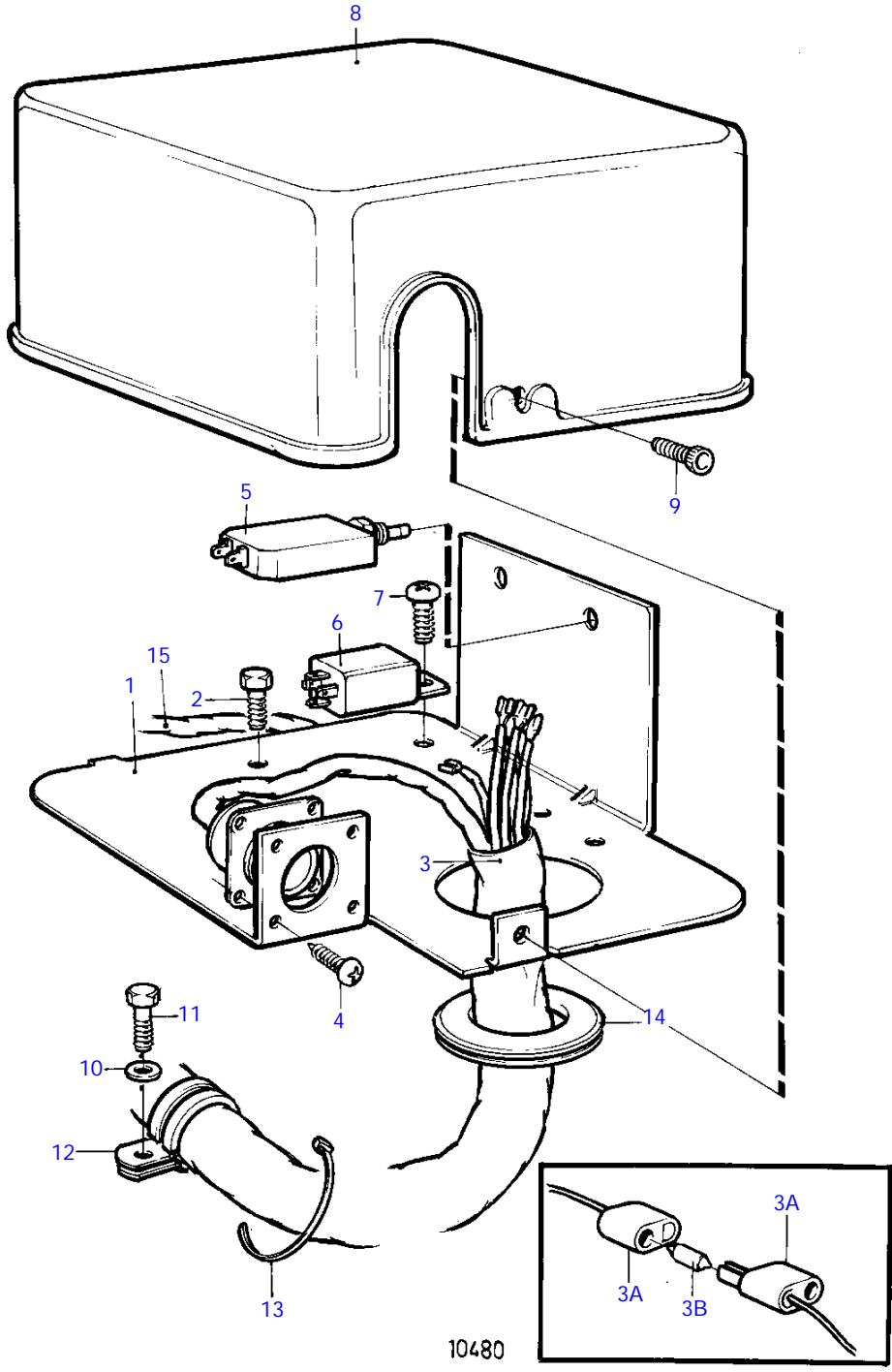
TAMD31A



TAMD31A

REF	PART NO.	QTY	DESCRIPTION	NOTES
1	838852	1	Bracket	
2	965175	3	Flange screw	
3	858757	1	Cable trunk	PRODUCT NO.867965,867966,868321,868325,868330, 12V
	859226	1	Cable trunk	PRODUCT NO.867965,867966,868321,868325,868330, 12V
	858085	1	Cable kit	PRODUCT NO.868327, 24V
	859049	1	Cable trunk	PRODUCT NO.868327, 24V
3A	966334	1	* Fuse holder	INCLUDED IN CABLE UNIT 859049
3B	11433	1	* Fuse	INCLUDED IN CABLE UNIT 859049., FOR EXHAUST PRESSURE REGULATOR, 24V
3	942785	1	* Fuse	FOR EXHAUST PRESSURE REGULATOR, INCLUDED IN CABLE UNIT 859226, 12V
4	955119	4	Cross recessed screw	
5	966689	1	Fuse	PRODUCT NO.867965,867966,868321,868325,868330
	966689	2	Fuse	PRODUCT NO.868327
6	846742	1	Baffle plate	12V 50A
	853545	1	Relay kit	FOR ENGINES WITH WET EXHAUST LINE, (853544) 12V 30A
	838955	1	Relay	24V 50A
	837878	2	Relay	FOR ENGINES WITH WET EXHAUST LINE, 24V 50A
	837878	1	Relay	FOR ENGINES WITH DRY EXHAUST LINE, 24V 50A
7	956090	1	Cross recessed screw	
	956074	1	Cross recessed screw	PRODUCT NO.867965,867966,868321,868325,868330
	956074	2	Cross recessed screw	PRODUCT NO.868327
8	838808	1	Cover	
9	846736	1	Lock screw	
10	942767	1	Toothed washer	PRODUCT NO.867965,867966,868321,868325,868330
11	946440	1	Flange screw	PRODUCT NO.867965,867966,868321,868325,868330
12	949786	2	Clamp	
13	948210	X	Cable tie	
14		1	BUSHING	
15		1	Ground Cable	PRODUCT NO.867965,867966,868321,868325,868330

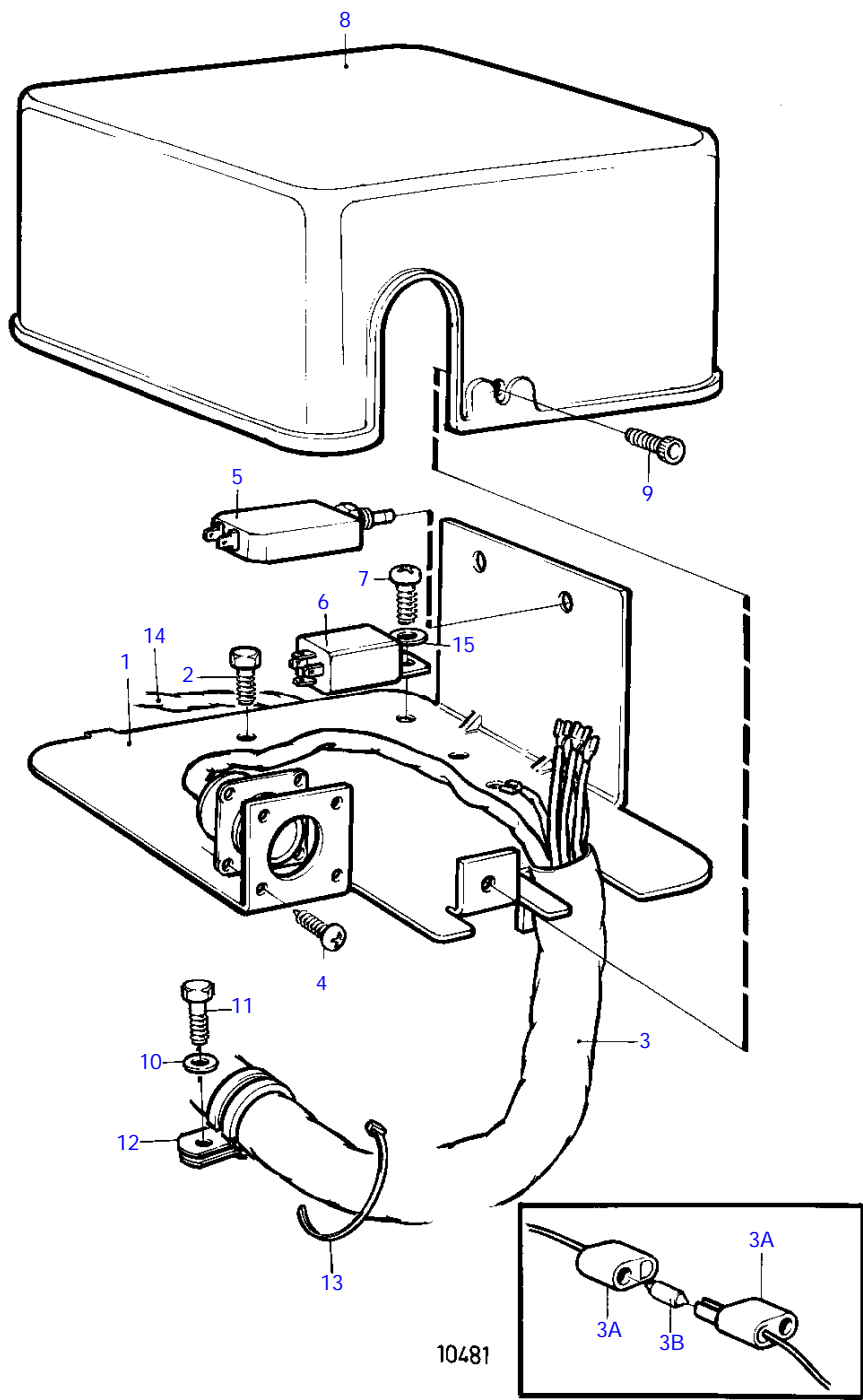
AQAD31A, AD31A



AQAD31A, AD31A

REF	PART NO.	QTY	DESCRIPTION	NOTES
1	838852	1	Bracket	
2	965175	3	Flange screw	
3	858757	1	Cable trunk	REPL BY 859226
	859226	1	Cable trunk	12V
3A	966334	1	* Fuse holder	INCLUDED IN CABLE UNIT 859226
3B	942785	1	* Fuse	FOR EXHAUST PRESSURE REGULATOR, INCLUDED IN CABLE UNIT 859226, 12V
4	955119	4	Cross recessed screw	
5	966689	1	Fuse	
6	846762	1	Relay	12V 50A
	853545	1	Relay kit	(853544) 12V 30A
7	956090	1	Cross recessed screw	FOR 846762
	956074	1	Cross recessed screw	FOR 853545
8	838808	1	Cover	
9	846736	1	Lock screw	
10	942767	1	Toothed washer	
11	946440	1	Flange screw	
12	949786	2	Clamp	
13	948210	X	Cable tie	
14		1	BUSHING	
15		1	Ground Cable	

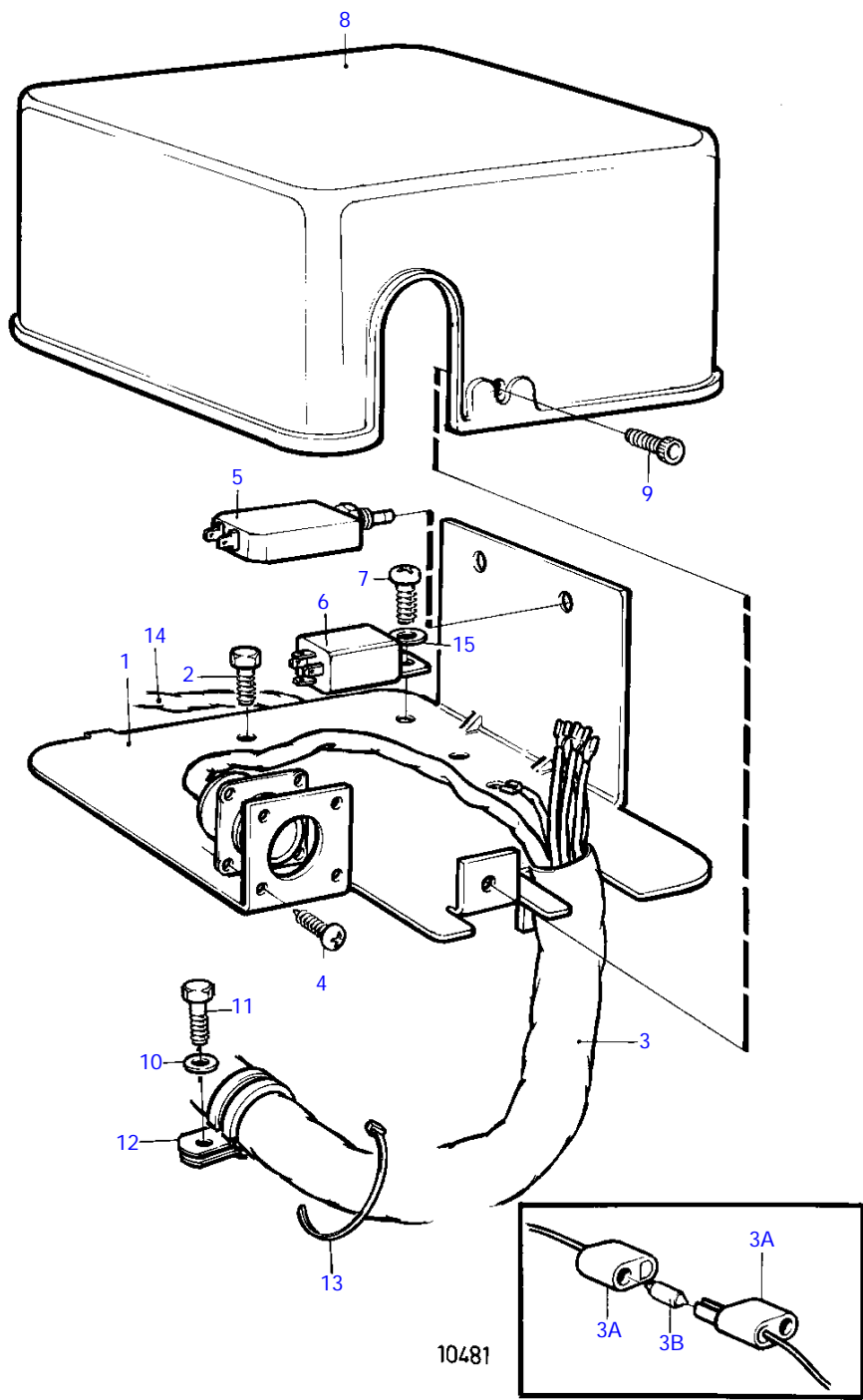
TMD31B



TMD31B

REF	PART NO.	QTY	DESCRIPTION	NOTES
1	838852	1	Bracket	SN-2203114322
	860366	1	Bracket	SN2203114323-
2	965175	3	Flange screw	
3	859226	1	Cable trunk	SN-2203114322
	860022	1	Wiring harness	SN2203114323-
3A	966334	1	* Fuse holder	FOR 859226
3B	942785	1	* Fuse	12V, FOR 859226
4	955119	4	Cross recessed screw	
5	966689	1	Fuse	
6	846762	1	Relay	SN-2203114322
	860339	1	Relay	SN2203114323-
7	956090	1	Cross recessed screw	M6, FOR 846762
	956074	1	Cross recessed screw	M5, FOR 860339
8	838808	1	Cover	
9	846736	1	Lock screw	
10	942767	1	Toothed washer	
11	946440	1	Flange screw	
12	949786	2	Clamp	
13	948210	X	Cable tie	
14		1	Ground Cable	
15	940090	1	Washer	FOR 860339

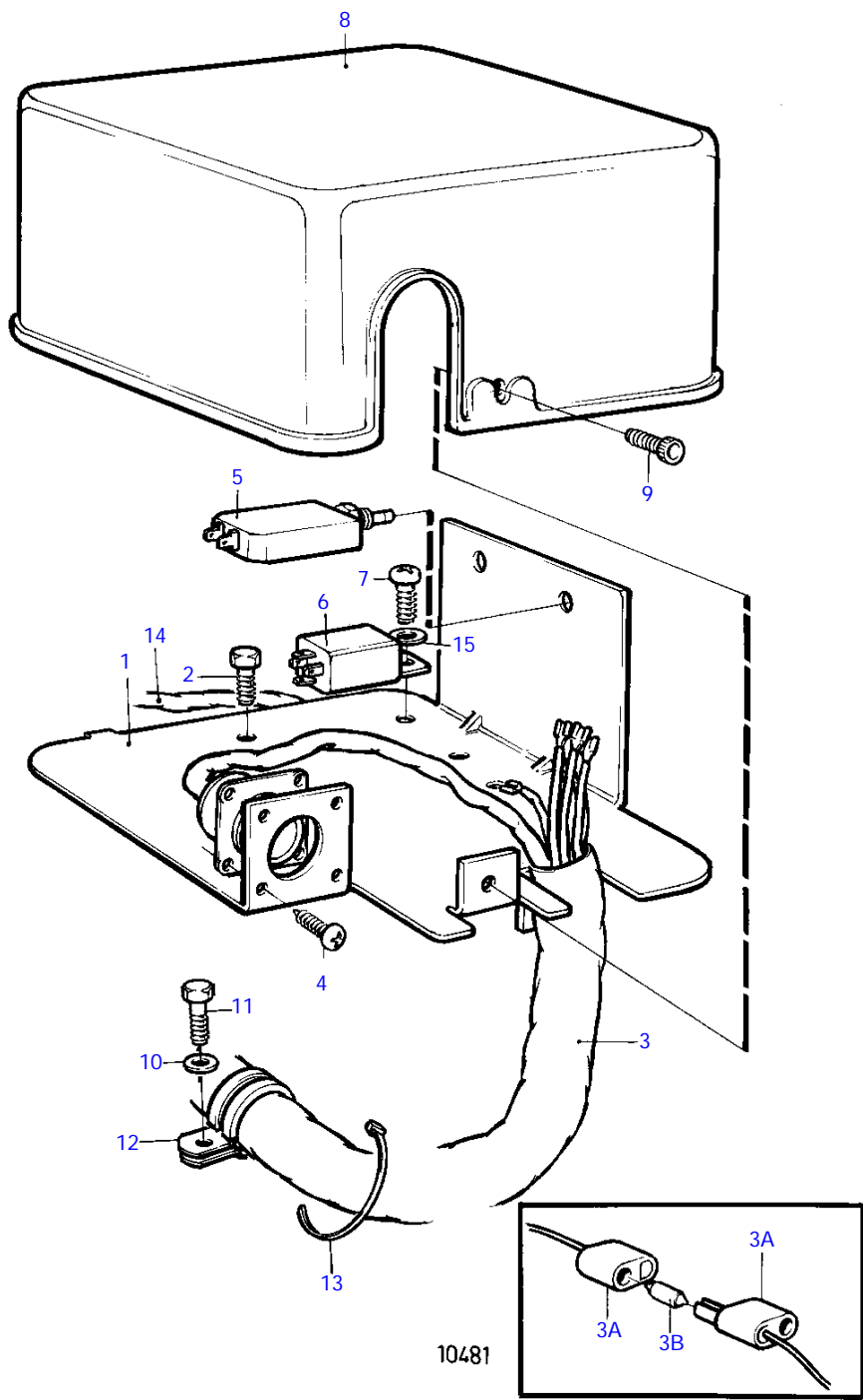
TAMD31B



TAMD31B

REF	PART NO.	QTY	DESCRIPTION	NOTES
1	838852	1	Bracket	SN-2203114322
	860366	1	Bracket	SN2203114323-
2	965175	3	Flange screw	
3	859226	1	Cable trunk	SN-2203114322
	860022	1	Wiring harness	SN2203114323-
3A	966334	1	* Fuse holder	FOR 859226
3B	942785	1	* Fuse	12V, FOR 859226
4	955119	4	Cross recessed screw	
5	966689	1	Fuse	
6	846762	1	Relay	SN-2203114322
	860339	1	Relay	SN2203114323-
7	956090	1	Cross recessed screw	M6, FOR 846762
	956074	1	Cross recessed screw	M5, FOR 860339
8	838808	1	Cover	
9	846736	1	Lock screw	
10	942767	1	Toothed washer	
11	946440	1	Flange screw	
12	949786	2	Clamp	
13	948210	X	Cable tie	
14		1	Ground Cable	
15	940090	1	Washer	FOR 860339

AD31B

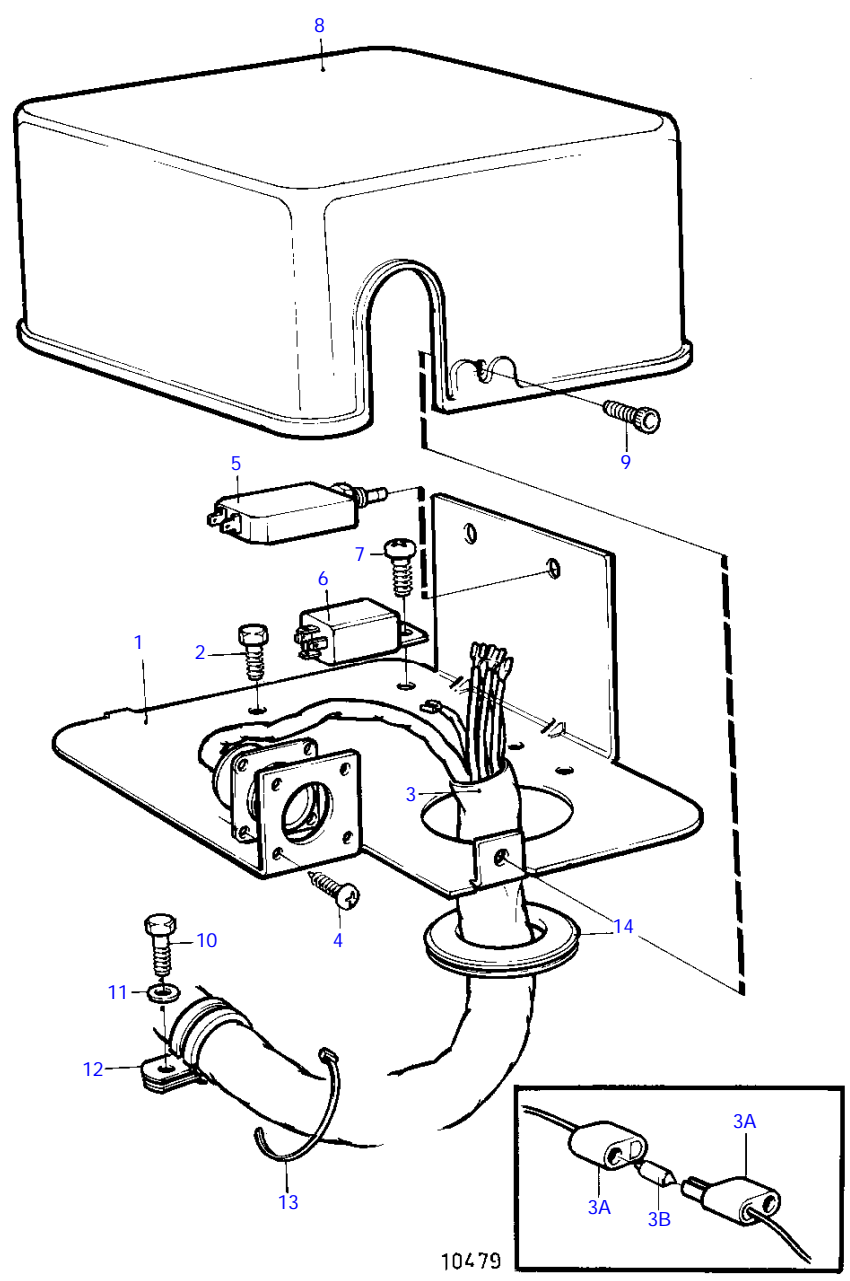


10481



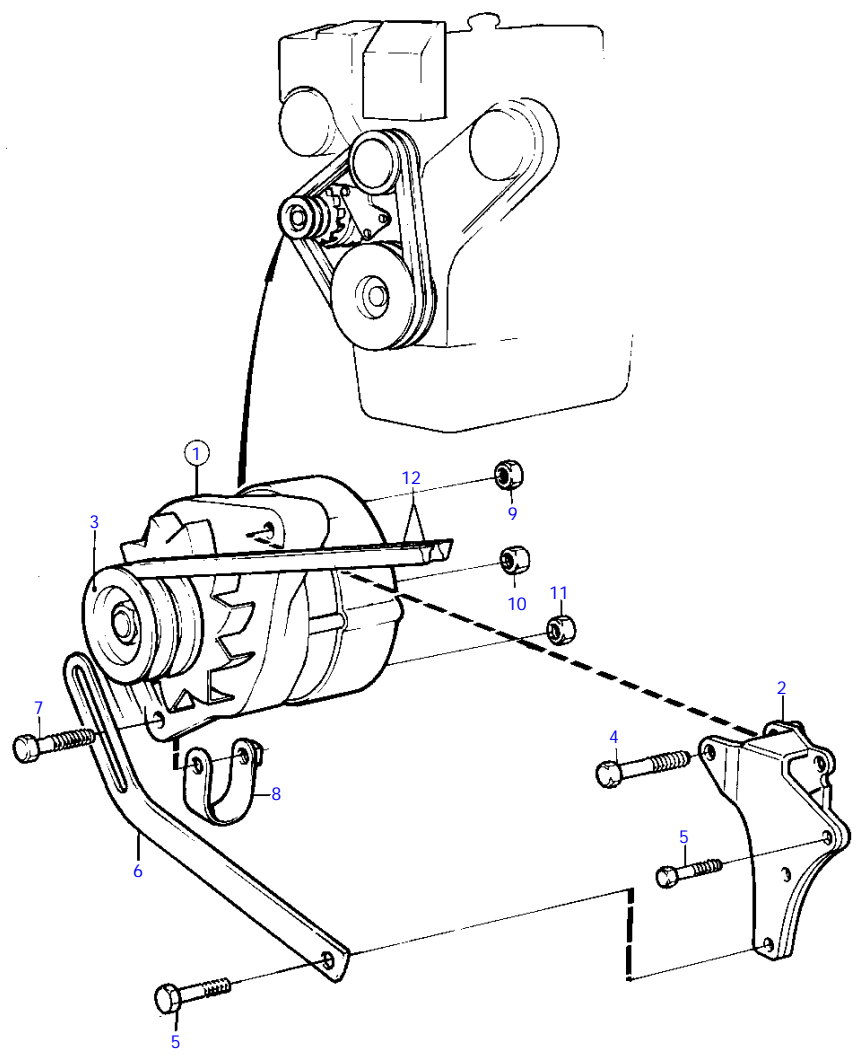
AD31B

REF	PART NO.	QTY	DESCRIPTION	NOTES
1	838852	1	Bracket	SN-2203114322
	860366	1	Bracket	SN2203114323-
2	965175	3	Flange screw	
3	859226	1	Cable trunk	SN-2203114322
	860022	1	Wiring harness	SN2203114323-
3A	966334	1	* Fuse holder	FOR 859226
3B	942785	1	* Fuse	12V, FOR 859226
4	955119	4	Cross recessed screw	
5	966689	1	Fuse	
6	846762	1	Relay	SN-2203114322
	860339	1	Relay	SN2203114323-
7	956090	1	Cross recessed screw	M6, FOR 846762
	956074	1	Cross recessed screw	M5, FOR 860339
8	838808	1	Cover	
9	846736	1	Lock screw	
10	942767	1	Toothed washer	
11	946440	1	Flange screw	
12	949786	2	Clamp	
13	948210	X	Cable tie	
14		1	Ground Cable	
15	940090	1	Washer	FOR 860339



REF	PART NO.	QTY	DESCRIPTION	NOTES
1	838852	1	Bracket	
2	965175	3	Flange screw	
3	859049	1	Cable trunk	24V
3A	966334	1	* Fuse holder	INCLUDED IN CABLE UNIT 859049.
3B	11433	1	* Fuse	INCLUDED IN CABLE UNIT 859049., FOR EXHAUST PRESSURE REGULATOR, 24V
4	955119	4	Cross recessed screw	
5	966689	2	Fuse	
6	838955	1	Relay	24V,50A
	837878	3	Relay	24V,20A
7	956090	1	Cross recessed screw	
	956074	2	Cross recessed screw	
8	838808	1	Cover	
9	846736	1	Lock screw	
10		2	SCREW	
11		2	WASHER	
12	949786	2	Clamp	
13	948210	8	Cable tie	
14		1	BUSHING	

MD31A



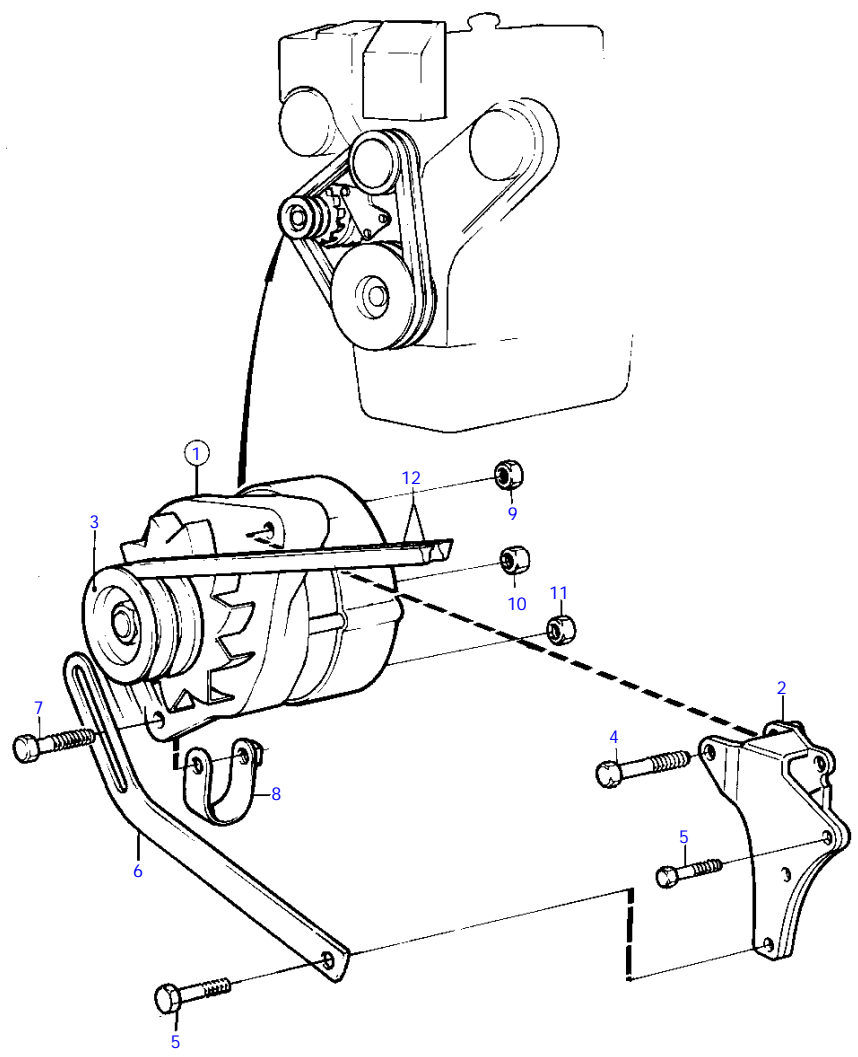
8012



MD31A

REF	PART NO.	QTY	DESCRIPTION	SEE SEC.	NOTES
1	858838	1	Alternator		FOR 12 VOLTAGE ELECTRIC SYSTEM., ALSO AVAILABLE AS AN EXCHANGE PART., 14V 50A
			*	19225	
			*	19225	
			*	19226	
			*	19227	
2	860271	1	Bracket		
3	841812	1	Pulley		
4	955554	1	Hexagon screw		
5	965179	1	Flange screw		L = 50 MM
	965182	1	Flange screw		L = 80 MM
	969189	1	Flange screw		L = 85 MM
6	835352	1	Tensioner		
7	947760	1	Flange screw		
8	466735	1	Tensioning eyelet		
9	955779	1	Hexagon nut		M4
10	965483	1	Flange nut		M5
11	945407	1	Flange nut		M6
12	966978	X	V-belt		(958359)

TMD31A



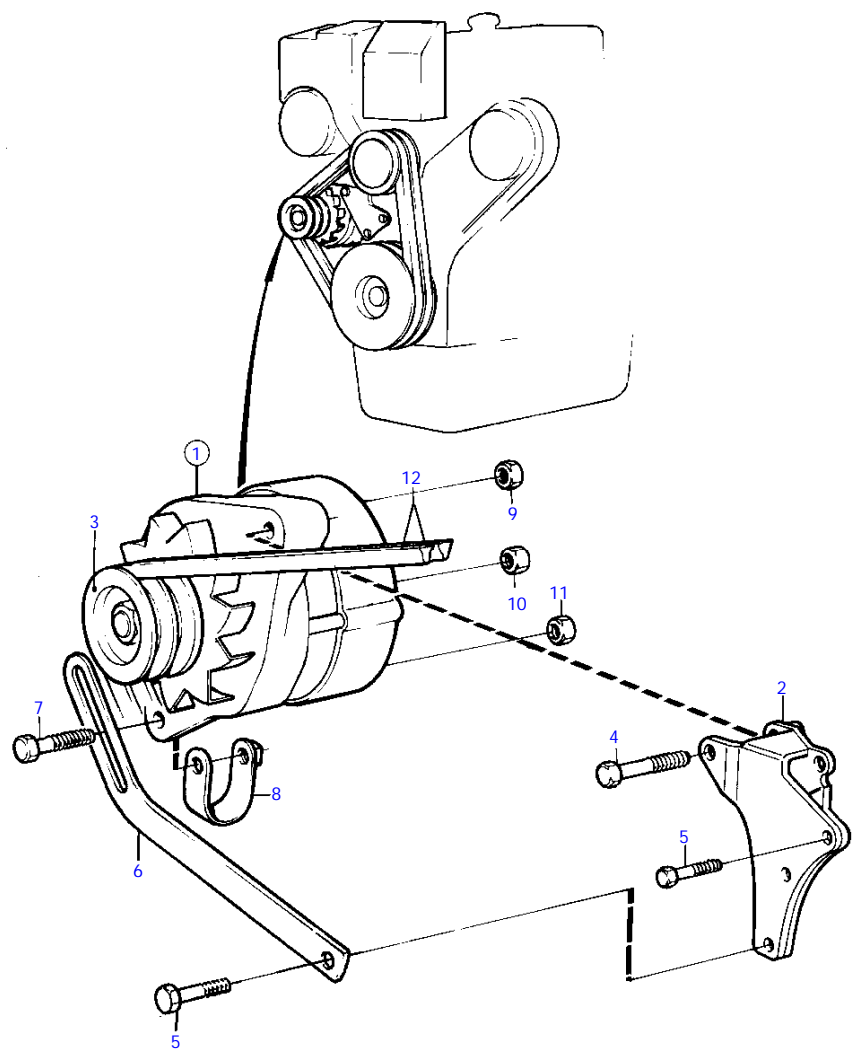
8012



TMD31A

REF	PART NO.	QTY	DESCRIPTION	NOTES
1	858838	1	Alternator	FOR 12 VOLTAGE ELECTRIC SYSTEM., ALSO AVAILABLE AS AN EXCHANGE PART., 14V 50A
2	860271	1	Bracket	
3	841812	1	Pulley	
4	955554	1	Hexagon screw	
5	965179	1	Flange screw	L = 50 MM
	965182	1	Flange screw	L = 80 MM
	969189	1	Flange screw	L = 85 MM
6	835352	1	Tensioner	
7	947760	1	Flange screw	
8	466735	1	Tensioning eyelet	
9	955779	1	Hexagon nut	M4
10	965483	1	Flange nut	M5
11	945407	1	Flange nut	M6
12	966978	X	V-belt	(958359)

TAMD31A

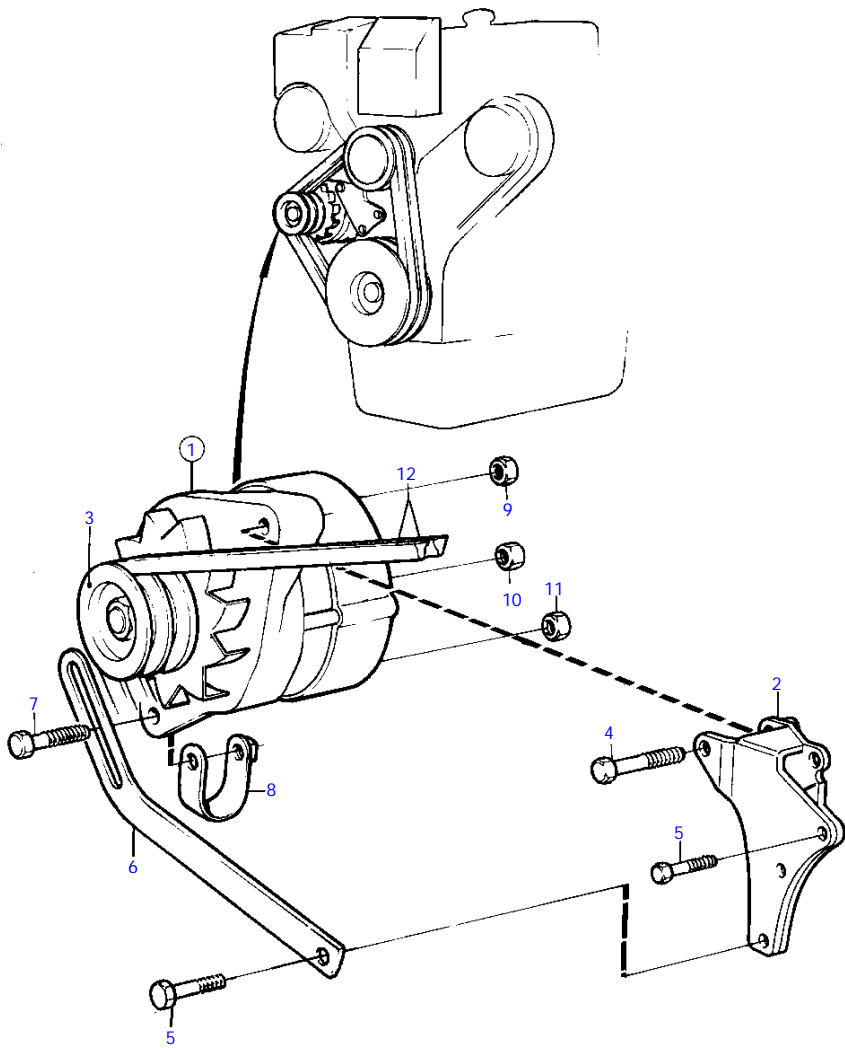


8012



TAMD31A

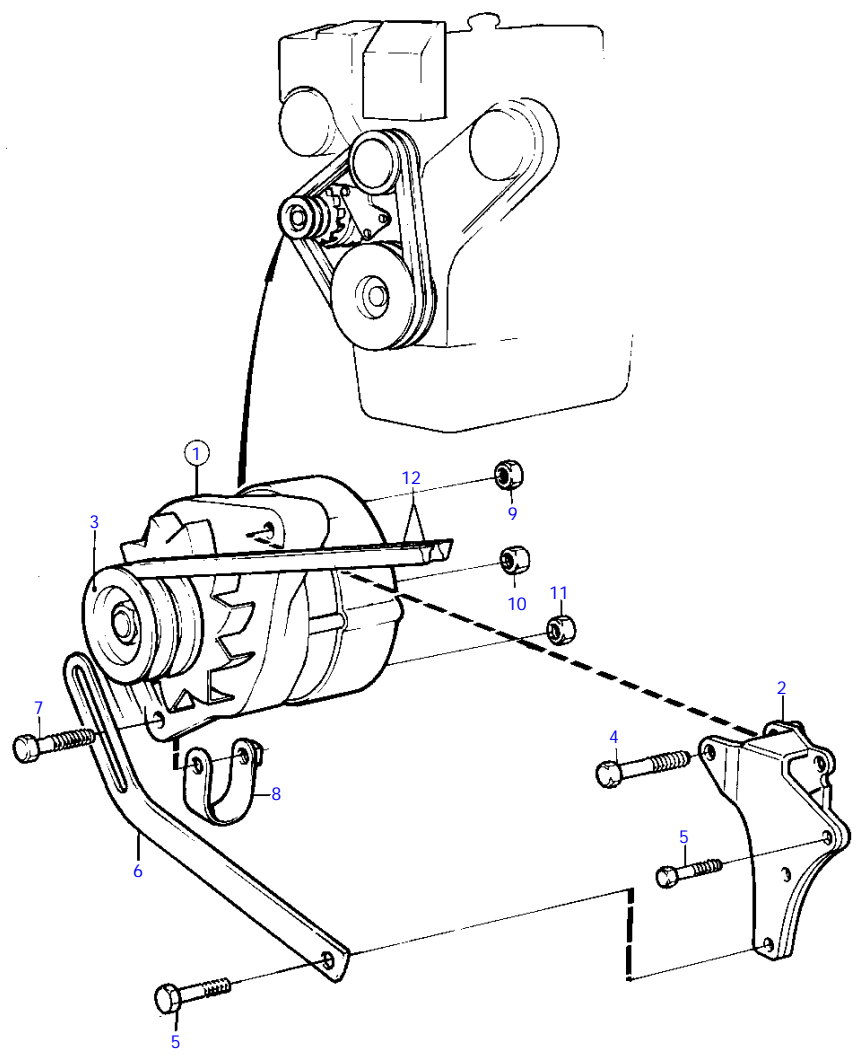
REF	PART NO.	QTY	DESCRIPTION	SEE SEC.	NOTES
1	858838	1	Alternator		PRODUCT NO.867965,867966,868321,868322,868325,868326, 868330, FOR 12 VOLTAGE ELECTRIC SYSTEM., ALSO AVAILABLE AS AN EXCHANGE PART., 14V 50A
	849563	1	Alternator		PRODUCT NO.868327,868328,868331, FOR 24 VOLTAGE ELECTRIC SYSTEM., 28V 55A
	863955	1	Alternator		PRODUCT NO.868327,868328,868331, FOR 24 VOLTAGE ELECTRIC SYSTEM., ALSO AVAILABLE AS AN EXCHANGE PART., 28V 60A
			Bulletin 45-02A	45-02A-EN	Alternator
2	860271	1	Bracket		
3	841812	1	Pulley		
4	955554	1	Hexagon screw		
5	965179	1	Flange screw		L = 50 MM
	965182	1	Flange screw		L = 80 MM
	969189	1	Flange screw		L = 85 MM
6	835352	1	Tensioner		
7	947760	1	Flange screw		
8	466735	1	Tensioning eyelet		
9	955779	1	Hexagon nut		M4
10	965483	1	Flange nut		M5
11	945407	1	Flange nut		M6
12	966978	X	V-belt		(958359)



8012

REF	PART NO.	QTY	DESCRIPTION	SEE SEC.	NOTES
1	849563	1	Alternator, ALTERNATOR		FOR 24 VOLTAGE ELECTRIC SYSTEM.
			*	19226	
	863955	1	Alternator		FOR 24 VOLTAGE ELECTRIC SYSTEM., ALSO AVAILABLE AS AN EXCHANGE PART., 28V 60A
			Bulletin 45-02A	45-02A-EN	Alternator
1			*	19227	
2	860271	1	Bracket		
3	841812	1	Pulley		
4	955554	1	Hexagon screw		
5	965179	1	Flange screw		L = 50 MM
	965182	1	Flange screw		L = 80 MM
	969189	1	Flange screw		L = 85 MM
6	835352	1	Tensioner		
7	947760	1	Flange screw		
8	466735	1	Tensioning eyelet		
9	955779	1	Hexagon nut		M4
10	965483	1	Flange nut		M5
11	945407	1	Flange nut		M6
12	966978	X	V-belt		(958359)

AQAD31A



8012

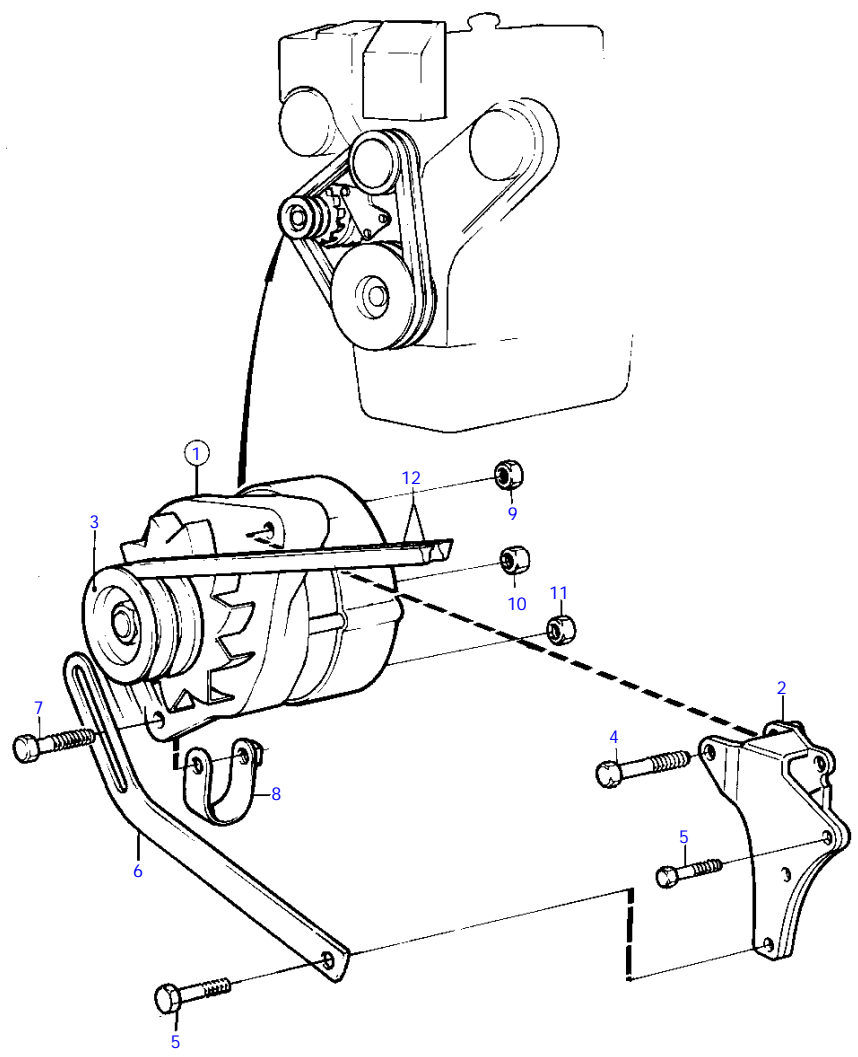


AQAD31A

REF	PART NO.	QTY	DESCRIPTION	SEE SEC.	NOTES
1	858838	1	Alternator		FOR 12 VOLTAGE ELECTRIC SYSTEM., ALSO AVAILABLE AS AN EXCHANGE PART., 14V 50A
			*	19225	
2	860271	1	Bracket		
3	841812	1	Pulley		
4	955554	1	Hexagon screw		
5	965179	1	Flange screw		L = 50 MM
	965182	1	Flange screw		L = 80 MM
	969189	1	Flange screw		L = 85 MM
6	835352	1	Tensioner		
7	947760	1	Flange screw		
8	466735	1	Tensioning eyelet		
9	955779	1	Hexagon nut		M4
10	965483	1	Flange nut		M5
11	945407	1	Flange nut		M6
12	966978	X	V-belt		(958359)



TMD31B, TAMD31B, AD31B



8012

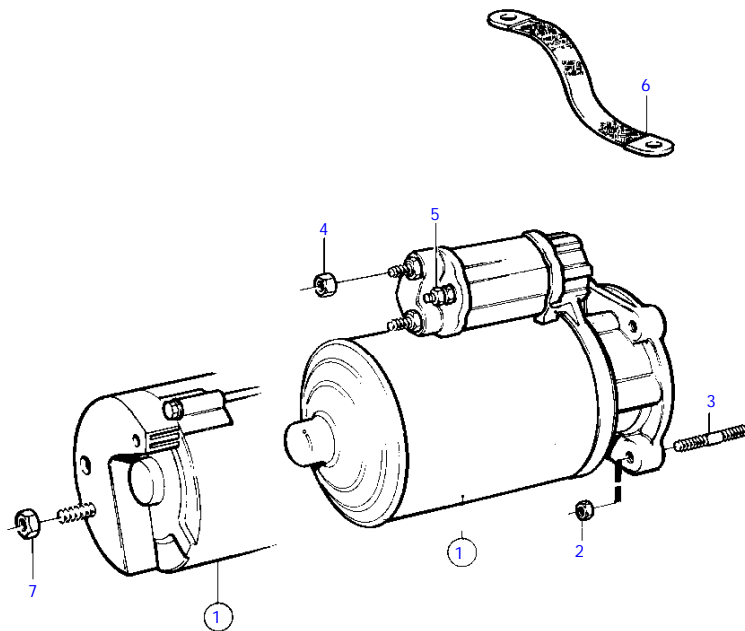


TMD31B, TAMD31B, AD31B

REF	PART NO.	QTY	DESCRIPTION	SEE SEC.	NOTES
1	858838	1	Alternator		FOR 12 VOLTAGE ELECTRIC SYSTEM., ALSO AVAILABLE AS AN EXCHANGE PART.
			*	19225	
2	860271	1	Bracket		
3	841812	1	Pulley		
4	955554	1	Hexagon screw		
5	965179	1	Flange screw		L = 50 MM
	965182	2	Flange screw		L = 80 MM
	969189	1	Flange screw		L = 85 MM
6	835352	1	Tensioner		
7	947760	1	Flange screw		
8	466735	1	Tensioning eyelet		
9	955779	1	Hexagon nut		
10	965483	1	Flange nut		
11	945407	1	Flange nut		
12	966978	X	V-belt		



MD31A



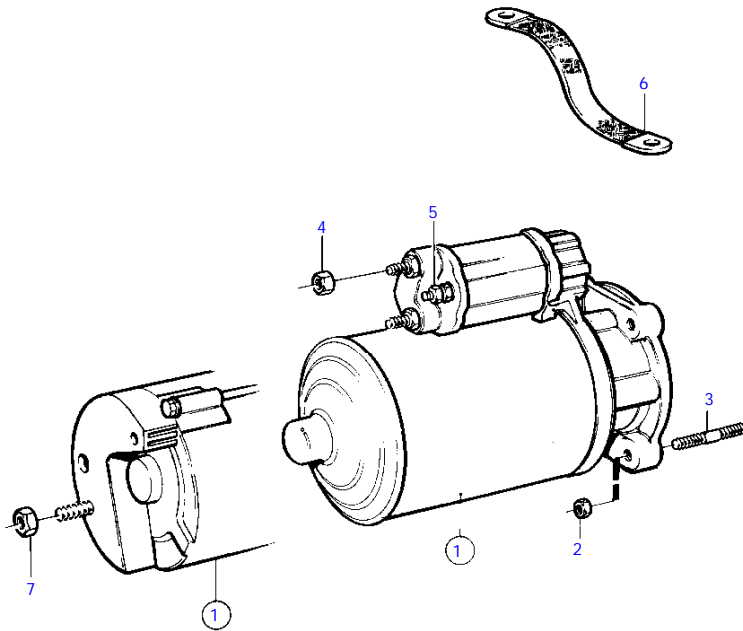
9150

MD31A

REF	PART NO.	QTY	DESCRIPTION	SEE SEC.	NOTES
1	829527	1	Starter motor		REPLACED BY STARTER MOTOR 859252,GROUND CABLE 968048 AND NUT 945408, ALSO AVAILABLE AS AN EXCHANGE PART., 12V
			*	19228	
	859252	1	Starter motor		
			*	19229	
			*	19228	
			*	19229	
			*	19230	
2	971095	3	Flange nut		
3	953067	3	Stud		
4	945408	1	Flange nut		
5	965483	1	Flange nut		
6	968048	1	Chassie ground cable		FOR 859252
7	945408	1	Flange nut		FOR 859252



TMD31A

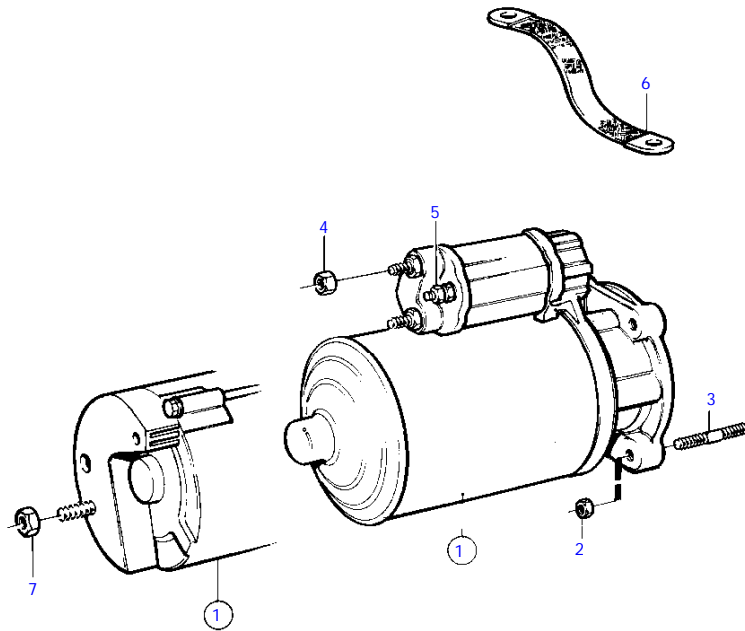


9150

TMD31A

REF	PART NO.	QTY	DESCRIPTION	NOTES
1	829527	1	Starter motor	REPLACED BY STARTER MOTOR 859252,GROUND CABLE 968048 AND NUT 945408, ALSO AVAILABLE AS AN EXCHANGE PART., 12V
	859252	1	Starter motor	
2	971095	3	Flange nut	
3	953067	3	Stud	
4	945408	1	Flange nut	
5	965483	1	Flange nut	
6	968048	1	Chassie ground cable	FOR 859252
7	945408	1	Flange nut	FOR 859252

TAMD31A

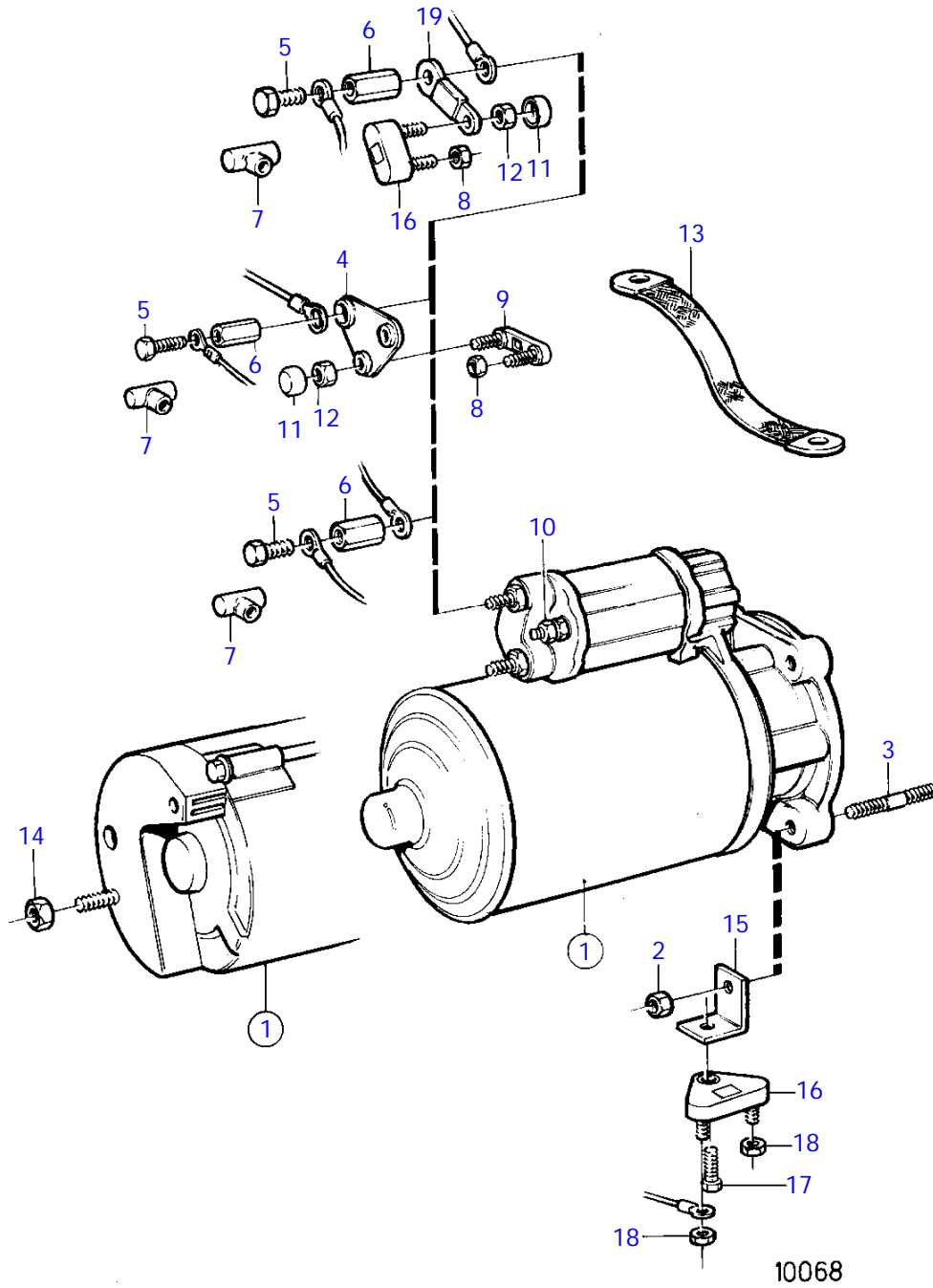


9150

TAMD31A

REF	PART NO.	QTY	DESCRIPTION	NOTES
1	829527	1	Starter motor	REPLACED BY STARTER MOTOR 859252,GROUND CABLE 968048 AND NUT 945408, PRODUCT NO.867965,867966,868321,868322,868325,865326, ALSO AVAILABLE AS AN EXCHANGE PART., 12V
	859252	1	Starter motor	PRODUCT NO.867965,867966,868321,868322,868325,868326, 868330, ALSO AVAILABLE AS AN EXCHANGE PART., 12V
	838987	1	Starter motor	PRODUCT NO.868327,868328,868331, 24V
2	971095	3	Flange nut	
3	953067	3	Stud	
4	945408	1	Flange nut	PRODUCT NO.867965,867966,868321,868325,868330
5	965483	1	Flange nut	PRODUCT NO.867965,867966,868321,868325,868330
6	968048	1	Chassie ground cable	FOR 859252
7	945408	1	Flange nut	FOR 859252

AQAD31A, AD31A



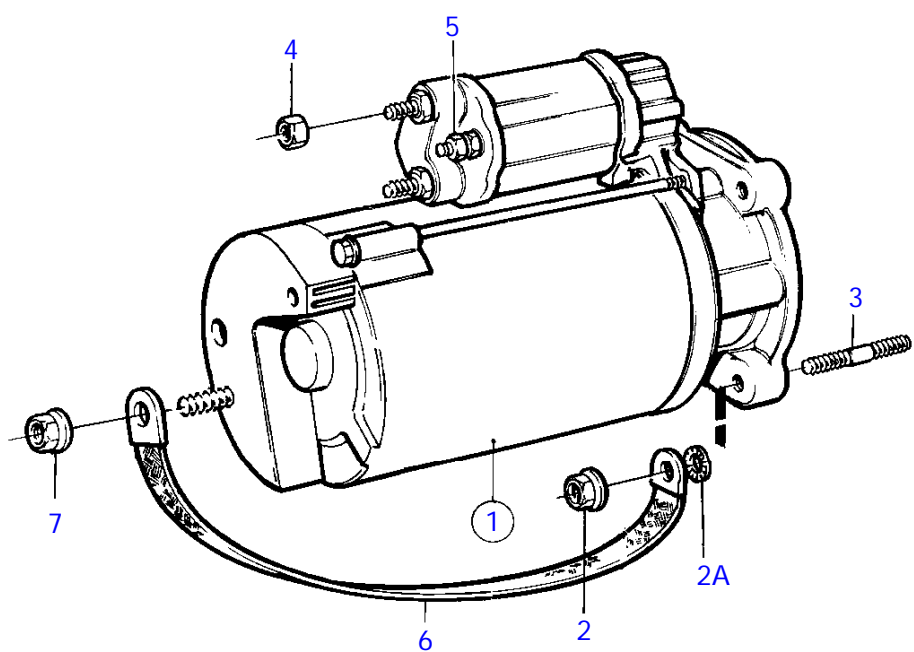
10068

AQAD31A, AD31A

REF	PART NO.	QTY	DESCRIPTION	SEE SEC.	NOTES
1	829527	1	Starter motor		REPLACED BY STARTER MOTOR 859252,GROUND CABLE 968048 AND NUT 945408
			*	19228	
	859252	1	Starter motor		SN2203107278-
			*	19229	
2	971095	3	Flange nut		
3	953067	3	Stud		
4	852986	1	Current bar		SN-2203111262 REPL BY 860212
5	947107	1	Flange screw		
6	855314	1	Nut		
7	855798	1	Protecting sleeve		
8	945407	1	Flange nut		
9	856355	1	Fuse		(853502)
10	965483	1	Flange nut		
11	853572	1	Protective cap		
12	853573	1	Nut		
13	968048	1	Chassie ground cable		FOR 859252
14	945408	1	Flange nut		FOR 859252
15	846780	1	Bracket		SN2203111263-2203111560
16	856355	1	Fuse		
17	946544	1	Flange screw		
18	945407	2	Flange nut		
19	860212	1	Current bar		SN2203111561-



TMD31B, TAMD31B

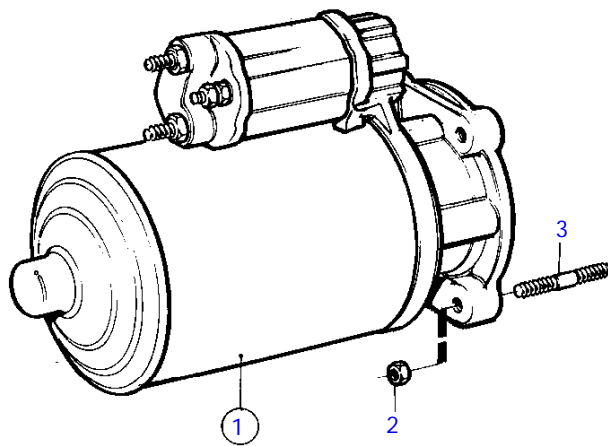


10742



TMD31B, TAMD31B

REF	PART NO.	QTY	DESCRIPTION	SEE SEC.	NOTES
1	859252	1	Starter motor		ALSO AVAILABLE AS AN EXCHANGE PART.
			*	19229	
2	971095	3	Flange nut		
2A	945987	1	Toothed washer		
3	953067	3	Stud		
4	945408	1	Flange nut		
5	965483	1	Flange nut		
6	968048	1	Chassie ground cable		
7	945408	1	Flange nut		



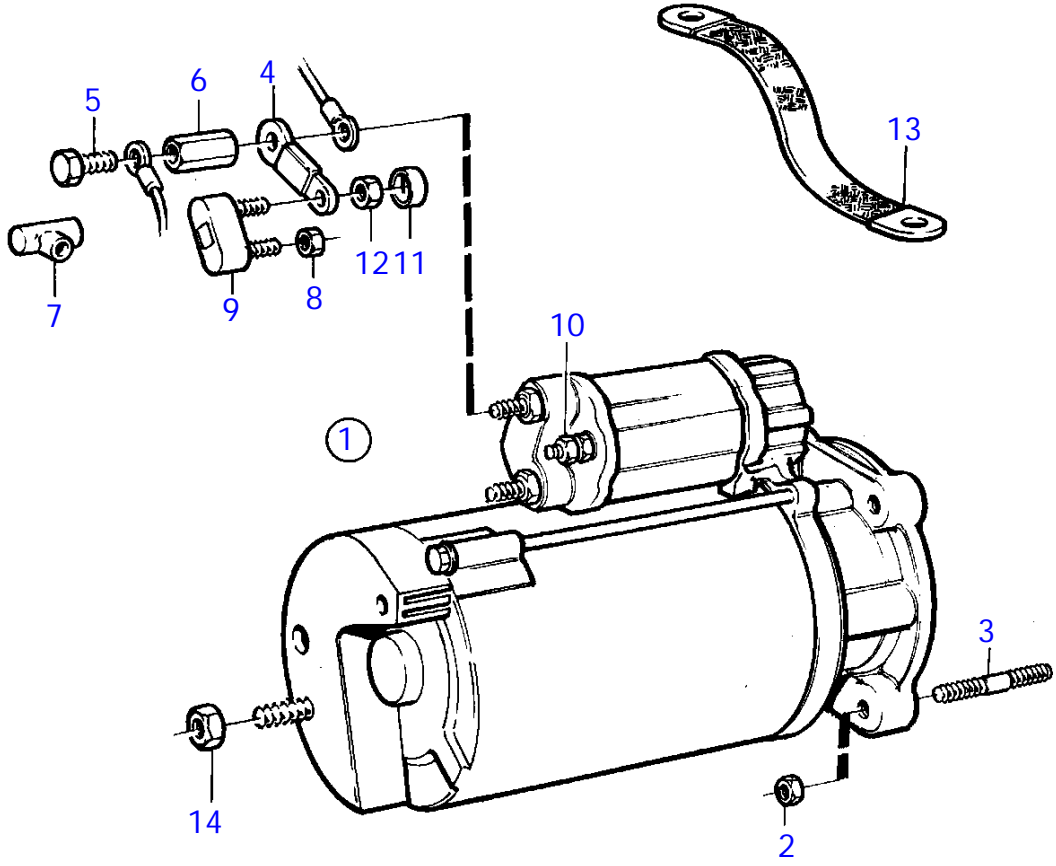
8427

--

REF	PART NO.	QTY	DESCRIPTION	SEE SEC.	NOTES
1	838987	1	Starter motor		24V
			*	19230	
2	971095	3	Flange nut		
3	953067	3	Stud		



AD31B



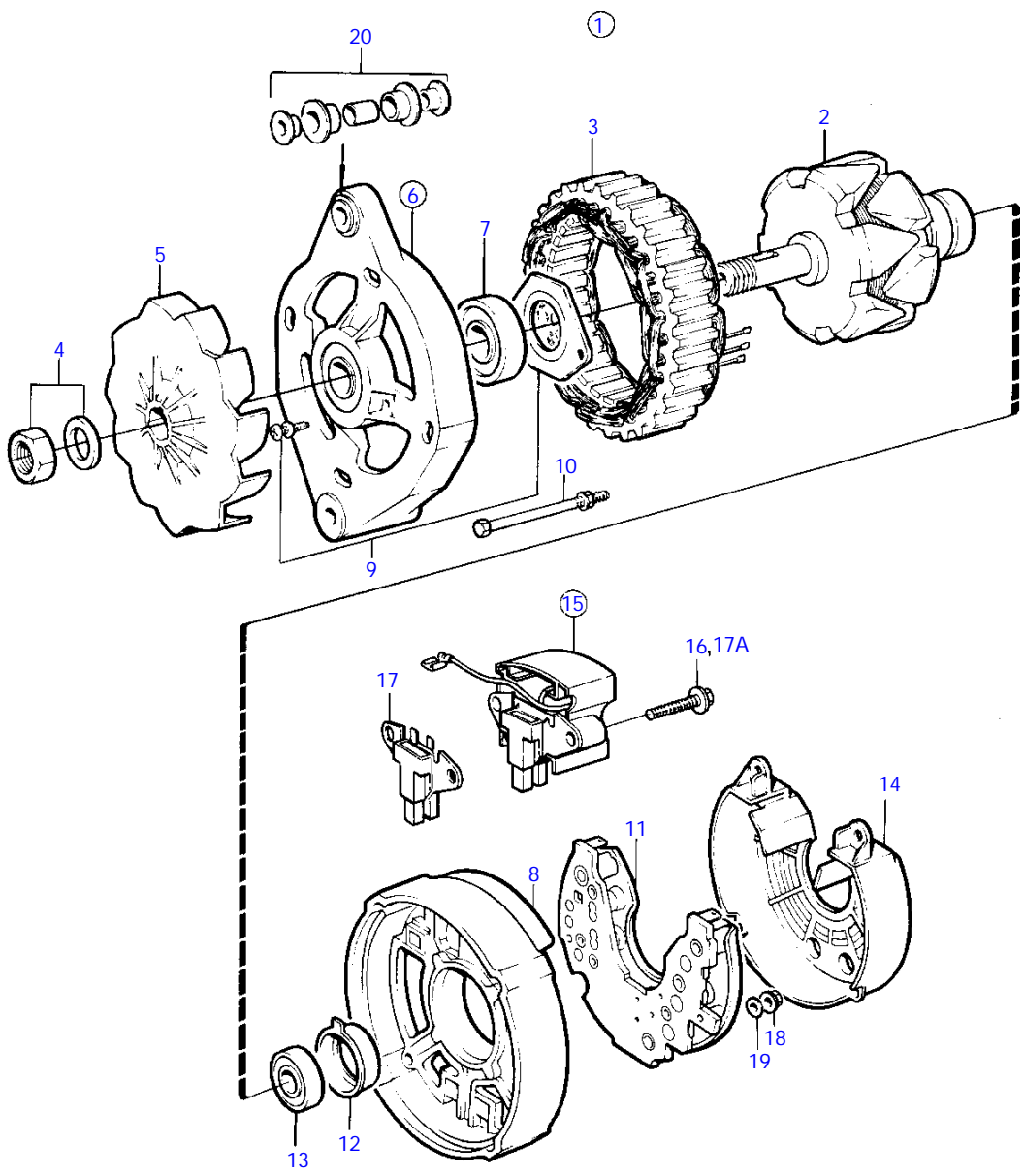
10178



AD31B

REF	PART NO.	QTY	DESCRIPTION	SEE SEC.	NOTES
1	859252	1	Starter motor		ALSO AVAILABLE AS AN EXCHANGE PART.
			*	19229	
2	971095	3	Flange nut		
3	953067	3	Stud		
4	860212	1	Current bar		
5	947107	1	Flange screw		
6	855314	1	Nut		
7	855798	1	Protecting sleeve		
8	945407	1	Flange nut		
9	856355	1	Fuse		
10	965483	1	Flange nut		
11	853572	1	Protective cap		
12	853573	1	Nut		
13	968048	1	Chassie ground cable		
14	945408	1	Flange nut		



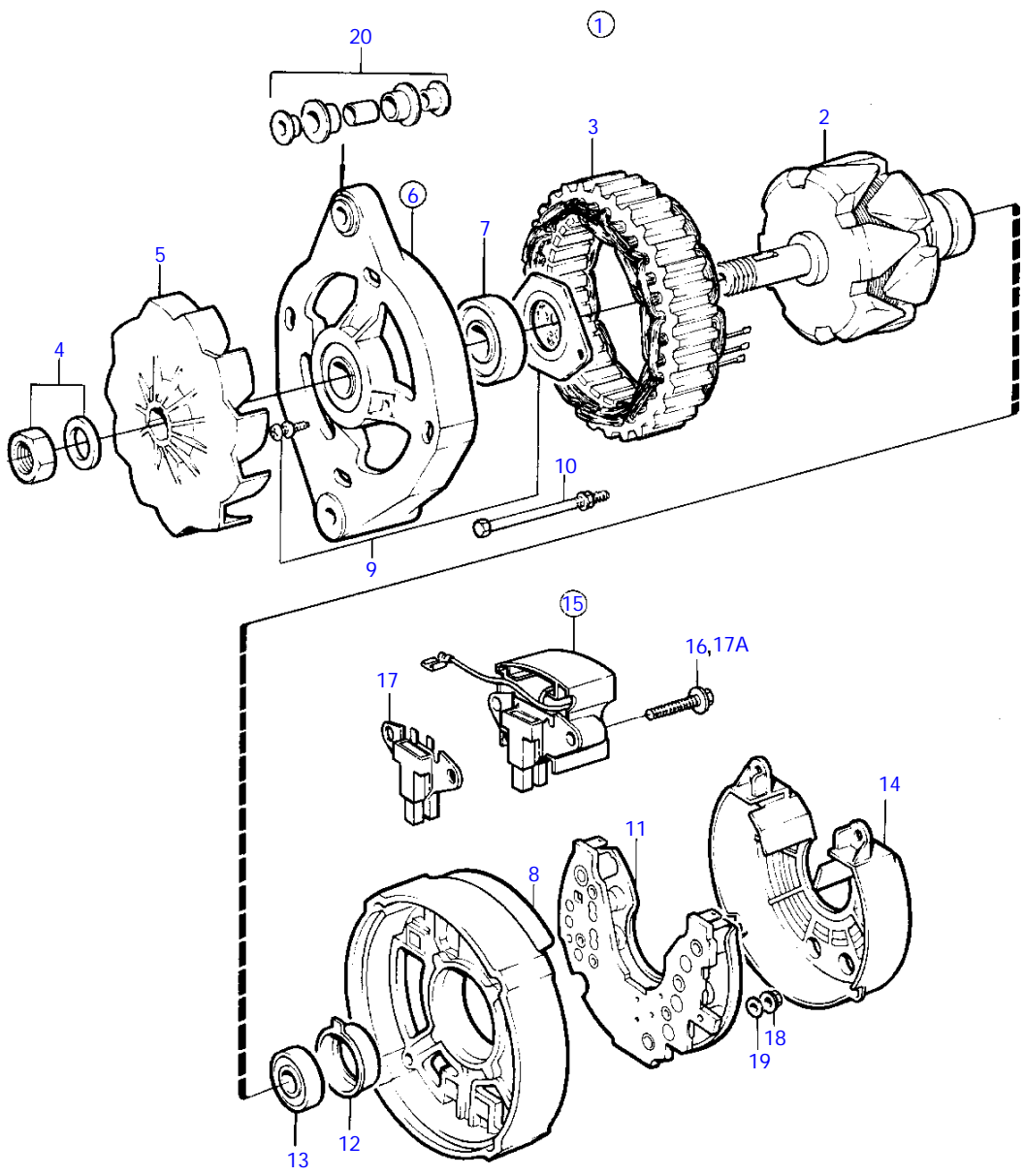


10413

--

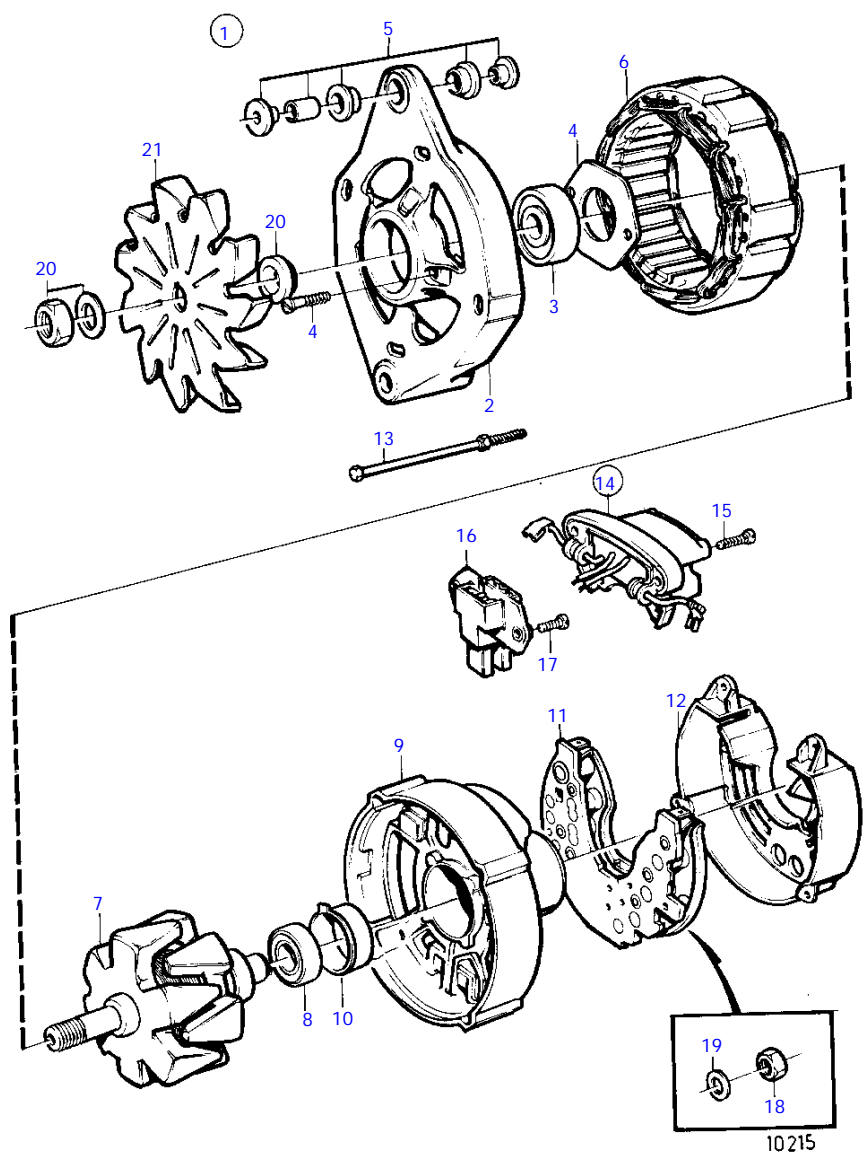
REF	PART NO.	QTY	DESCRIPTION	NOTES
1	858838	1	Alternator	FOR 12 VOLTAGE ELECTRIC SYSTEM., ALSO AVAILABLE AS AN EXCHANGE PART., 14V 50A
2		1	* ROTOR	
3	859421	1	* Stator	OBSOLETE PART
4	6212688	1	* Mounting kit	
5	840621	1	* Fan	
6		1	* HOUSING	
7	860432	1	* * Ball bearing	(848402)
8		1	* HOUSING	
9	840625	1	* Mounting kit	OBSOLETE PART
10	840626	1	* Screw kit	
11	1696944	1	* Diode bridge	(859419)
12	840629	1	* Bearing race	OBSOLETE PART
13	864351	1	* Ball bearing	
14	840631	1	* Protecting casing	OBSOLETE PART
15	858840	1	* Governor, GOVERNOR WITH BRUSH HOLDER	
16	859312	6	* * Screw	
17	840632	1	Brush retainer	
17A	859312	2	* Screw	
18	955779	1	Hexagon nut	(M4) W
	965483	2	Flange nut	(M5) D+, B-
	945407	1	Flange nut	(M6) B+
19	941904	1	Spring washer	(FOR M4) W
20	840634	1	Guide	



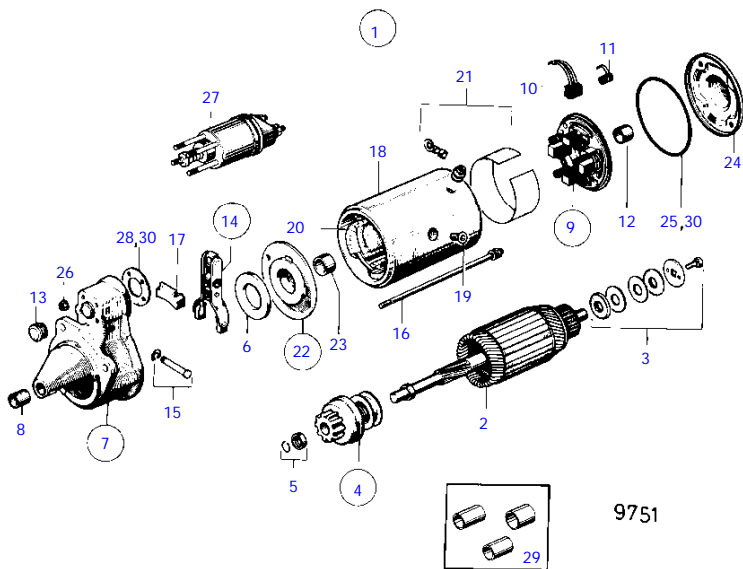


10413

REF	PART NO.	QTY	DESCRIPTION	NOTES
1	849563	1	Alternator	FOR 24 VOLTAGE ELECTRIC SYSTEM., 24V 55A
2	847704	1	* Rotor	OBSOLETE PART
3	847705	1	* Stator	
4	847706	1	* Nut set	
5	847707	1	* Fan	
6		1	* HOUSING	
7	847708	1	* Ball bearing	
8		1	* HOUSING	
9	847709	1	* Bearing carrier	
10	847710	1	* Screw kit	
11	1696944	1	* Diode bridge	
12	840629	1	* Bearing race	OBSOLETE PART
13	864351	1	* Ball bearing	
14	847712	1	* Protecting casing	
15	864006	1	* Governor, REGULATOR WITH BRUSH HOLDER	(1696946)
		1	* * REGULATOR	
16	859312	6	* * Screw	
17	840632	1	* * Brush retainer	
17A	859312	2	* * * Screw	
18	955779	1	Hexagon nut	M4, W
	965483	2	Flange nut	M5, D+, B-
	945407	1	Flange nut	M6, B+
19	941904	1	Spring washer	(FOR M4) W
20	840634	1	Guide	

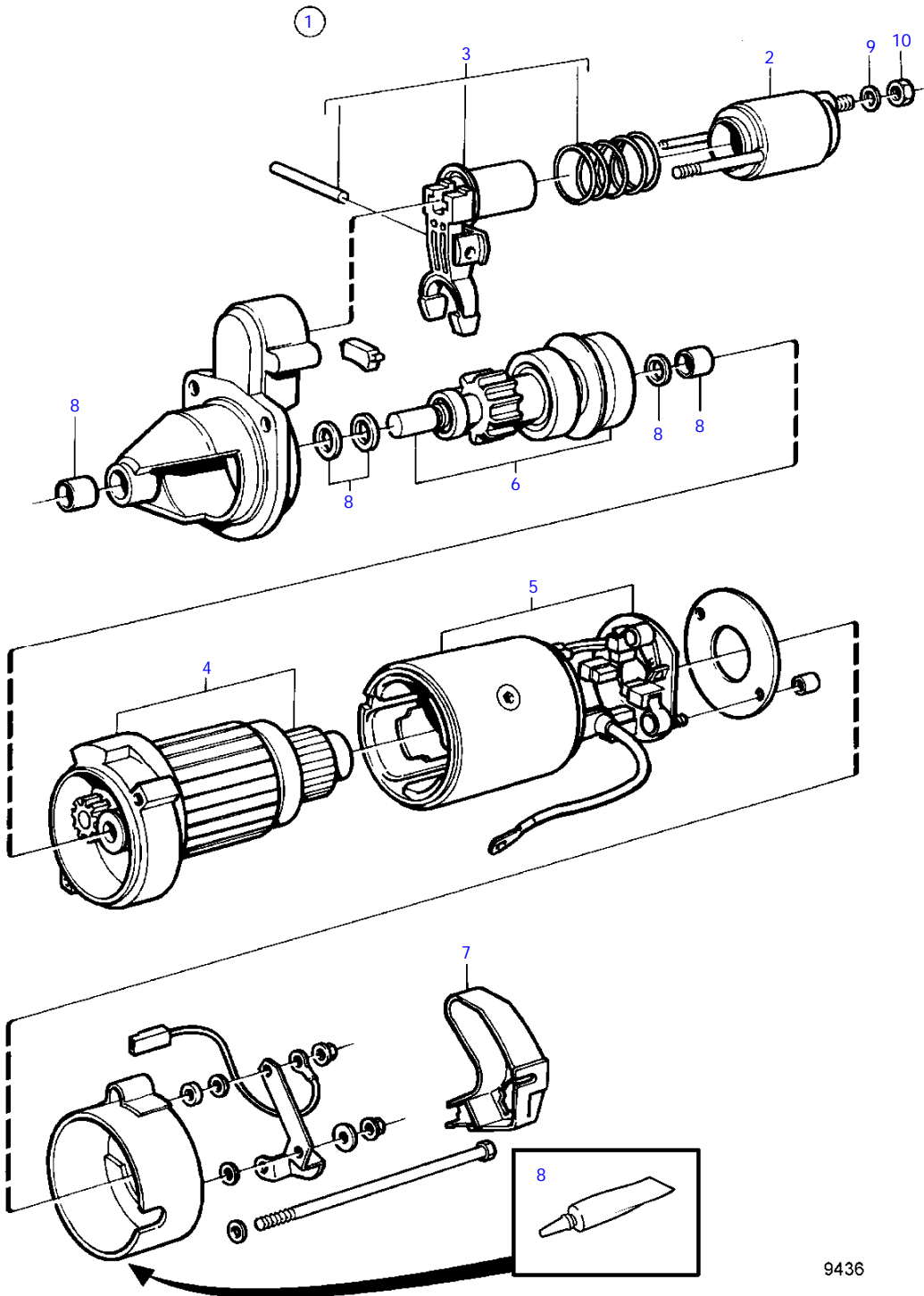


REF	PART NO.	QTY	DESCRIPTION	SEE SEC.	NOTES
1	863955	1	Alternator		FOR 24 VOLTAGE ELECTRIC SYSTEM., 28V 60A
			Bulletin 45-02A	45-02A-EN	Alternator
2		1	* HOUSING		
3	864350	1	* Ball bearing		
4	847709	1	* Bearing carrier		
5	840634	1	* Guide		
6	864346	1	* Stator		OBSOLETE PART
7		1	* ROTOR		
8	864351	1	* * Ball bearing		
9		1	* HOUSING		
10	840629	1	* * Bearing race		OBSOLETE PART
11	1696944	1	* Diode bridge		
12	847712	1	* Protecting casing		
13	847710	1	* Screw kit		
14	864006	1	* Governor, GOVERNOR WITH BRUSH HOLDER		
15	859312	6	* * Screw		
16	840632	1	* * Brush retainer		
17	859312	2	* * * Screw		
18	955779	1	Hexagon nut		(M4) W
	965483	2	Flange nut		(M5) D+, B-
	945407	1	Flange nut		(M6) B+
19	941904	1	Spring washer		(FOR M4) W
20	847706	1	Nut set		
21	847707	1	Fan		



--

REF	PART NO.	QTY	DESCRIPTION	NOTES
1	829527	1	Starter motor	12V
2	834843	1	* Rotor	OBSOLETE PART
3	858936	1	* Repair kit	
4	834845	1	* Starter pinion	
5	829012	1	* • Set	OBSOLETE PART
6	834799	1	* Washer	
7	834846	1	* Bearing cover	OBSOLETE PART
8	818147	1	* • Bushing	REPLACED BY BUSHING KIT 859197.
9	834849	1	* Commutator bearing	
10	858946	1	* • Brush set	(834853)
11	834854	1	* • • Spring kit	INCLUDED IN KIT 858946.
12	818162	1	* • Bushing	REPLACED BY BUSHING KIT 859197.
13	826964	1	* Bellows	OBSOLETE PART
14	859204	1	* Engagement lever	(829023)
15	829024	1	* • Shaft	INCLUDED IN KIT 858936., REPL BY 859204
16	834850	1	* Screw kit	OBSOLETE PART
17	834851	1	* Sealing	
18		1	* HOUSING	
19	818157	4	* Screw	REPL BY 859200
	859200	1	* Screw kit	REPL BY 859550
	859550	1	* Screw	
20	834847	1	* Field winding	
21	834848	1	* Isolation kit	OBSOLETE PART
22	834803	1	* Bearing	
23	834806	1	* • Bushing	REPLACED BY BUSHING KIT 859197.
24	829017	1	* Protecting cover	OBSOLETE PART
25	826986	1	* Gasket	REPLACED BY REPAIR KIT 860007(859203)
26	965483	1	* Flange nut	(829031)
27	834852	1	* Actuator solenoid	
28	834805	1	* Gasket	REPLACED BY REPAIR KIT 860007(859203)
29	859197	1	* Bushing kit	
30	860007	1	* Repair kit	(859203), OBSOLETE PART



9436

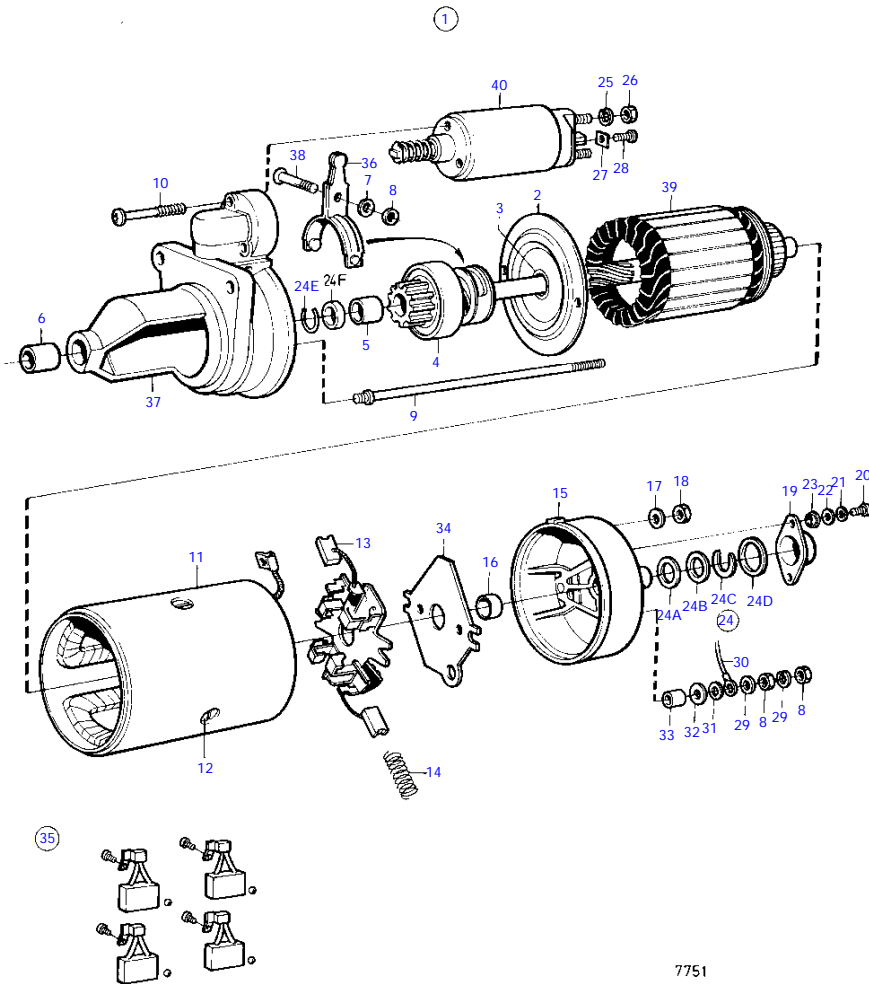
--

REF	PART NO.	QTY	DESCRIPTION	NOTES
1	859252	1	Starter motor	2-POLE
2	859618	1	* Solenoid switch	
3	859619	1	* Intermediate lever	
4	859621	1	* Rotor	
5	859622	1	* Field winding	OBSOLETE PART
6	859623	1	* Starter pinion	OBSOLETE PART
7	860439	1	* Cover	
8	859620	1	* Repair kit	
9	941907	1	Spring washer	
10	955782	1	Hexagon nut	

--	--	--	--	--



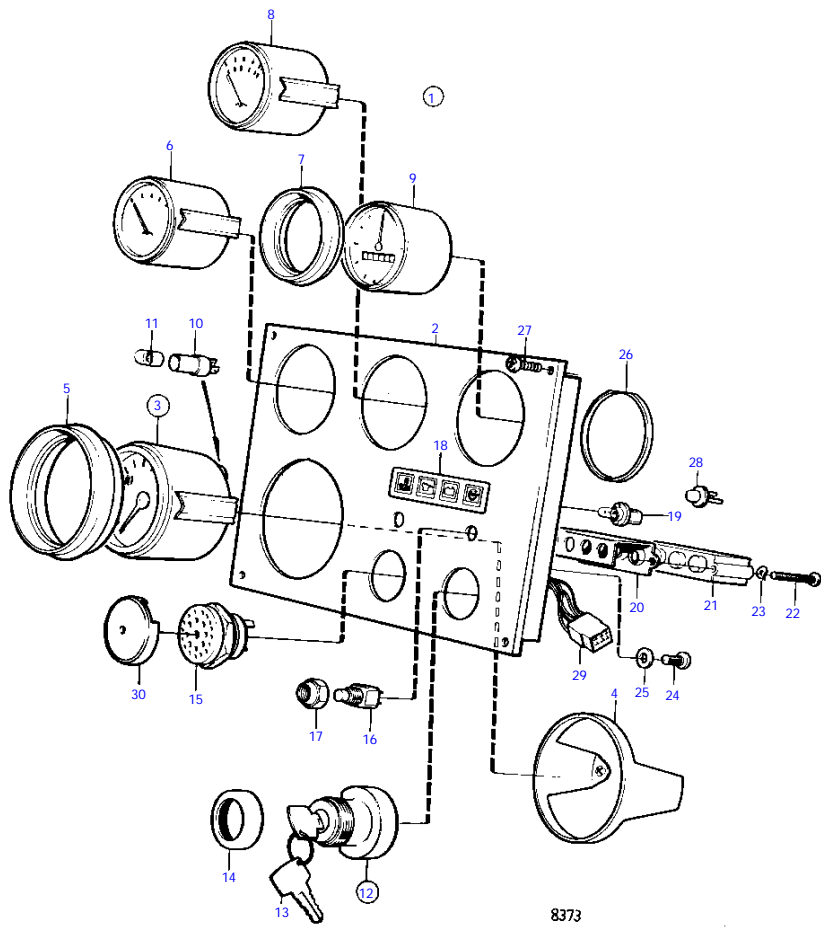
MD31A, TMD31A, TMD31B, TAMD31A, TAMD31B, AQAD31A, AD31A, AD31B



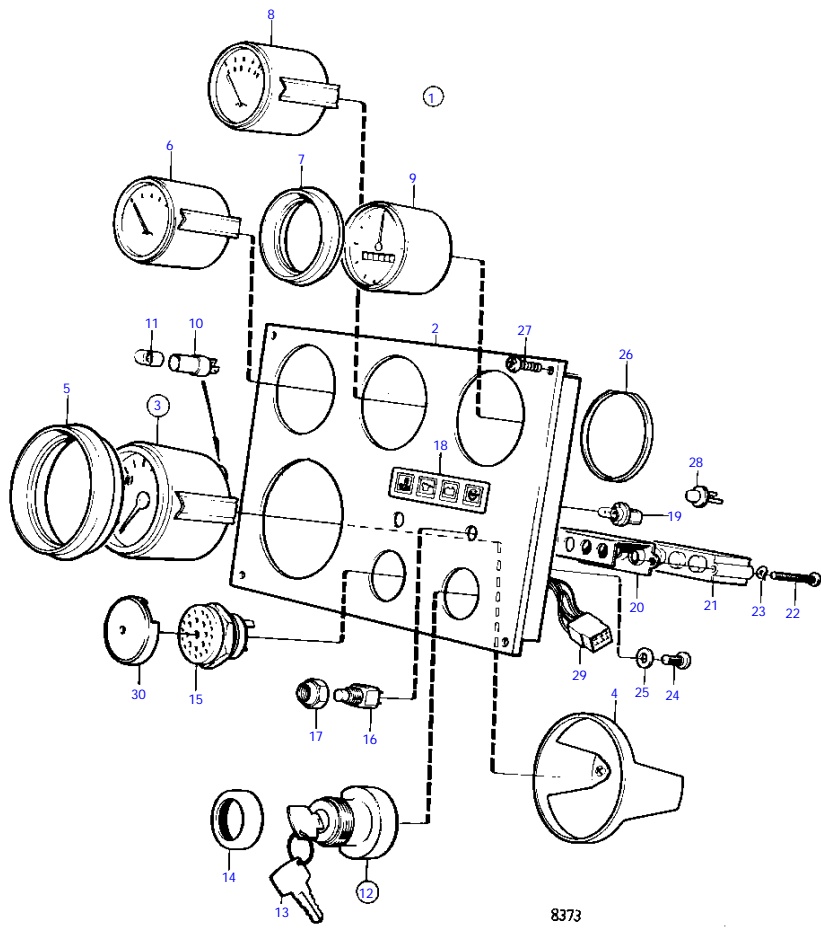
7751

MD31A, TMD31A, TMD31B, TAMD31A, TAMD31B, AQAD31A, AD31A, AD31B

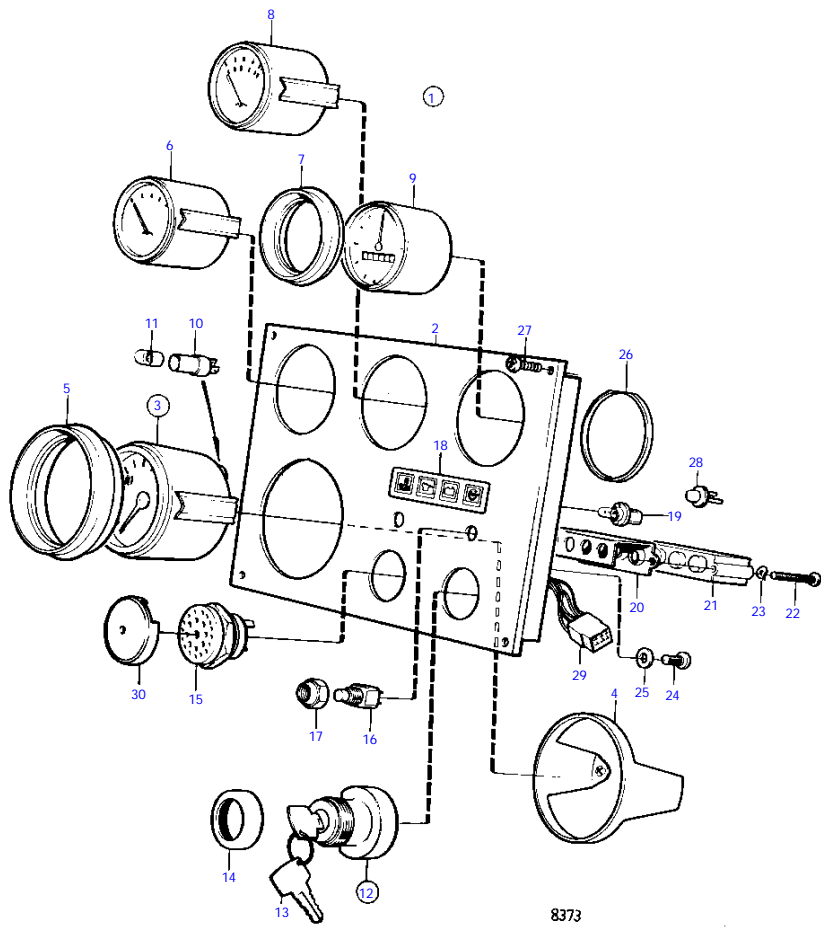
REF	PART NO.	QTY	DESCRIPTION	SEE SEC.	NOTES
1	838987	1	Starter motor		24V
2	6210770	1	* Bearing shield		OBSOLETE PART
3	6644949	1	* * Bearing bushing		
4	1696543	1	* Starter pinion		
5	6210772	1	* * Bearing bushing		
6	48109	1	* Bearing bushing		
7	941907	1	* Spring washer		
8	947941	3	* Hexagon nut		
9	6210774	2	* Screw		OBSOLETE PART
10	1696544	3	* Screw		OBSOLETE PART
11	6210775	1	* Field winding		OBSOLETE PART
12	6211936	4	* Screw		
13	858686	1	* Brush retainer		
14	6211874	4	* Spring		
15	858687	1	* Bearing shield		OBSOLETE PART
16	6210777	1	* * Bearing bushing		
17	86287	2	* Washer		OBSOLETE PART
18	955781	2	* Hexagon nut		
19	858688	1	* Cover		OBSOLETE PART
20	956078	2	* Cross recessed screw		
21	941905	2	* Spring washer		
22	858696	2	* Washer		OBSOLETE PART
23	858695	2	* Bushing		OBSOLETE PART
24	829707	1	* Small parts kit		
24A		1	* * SPACER		
24B		1	* * SPACER		
24C		1	* * LOCK WASHER		
24D		1	* * Gasket		
24E		1	* * LOCKRING		
24		1	* * WASHER		
25	1328134	2	* Washer		OBSOLETE PART
26	971080	2	* Hexagon nut		(955791)
27	858689	1	* Clamping brace		OBSOLETE PART
28	956058	1	* Cross recessed screw		
29	941907	2	* Spring washer		
30		X	* CABLE		
		X	* * COMPONENTS	19240	
31	955894	1	* Washer		
32	858693	1	* Insulating sheet		OBSOLETE PART
33	858692	1	* Bushing		OBSOLETE PART
34	858691	1	* Isolation plate		OBSOLETE PART
35	6210778	1	* Brush set		
36	1696545	1	* Engagement lever		OBSOLETE PART
37	1696578	1	* Bearing shield		OBSOLETE PART
38	6210773	1	* Screw		
39	6210769	1	* Anchor		
40	858697	1	* Solenoid		



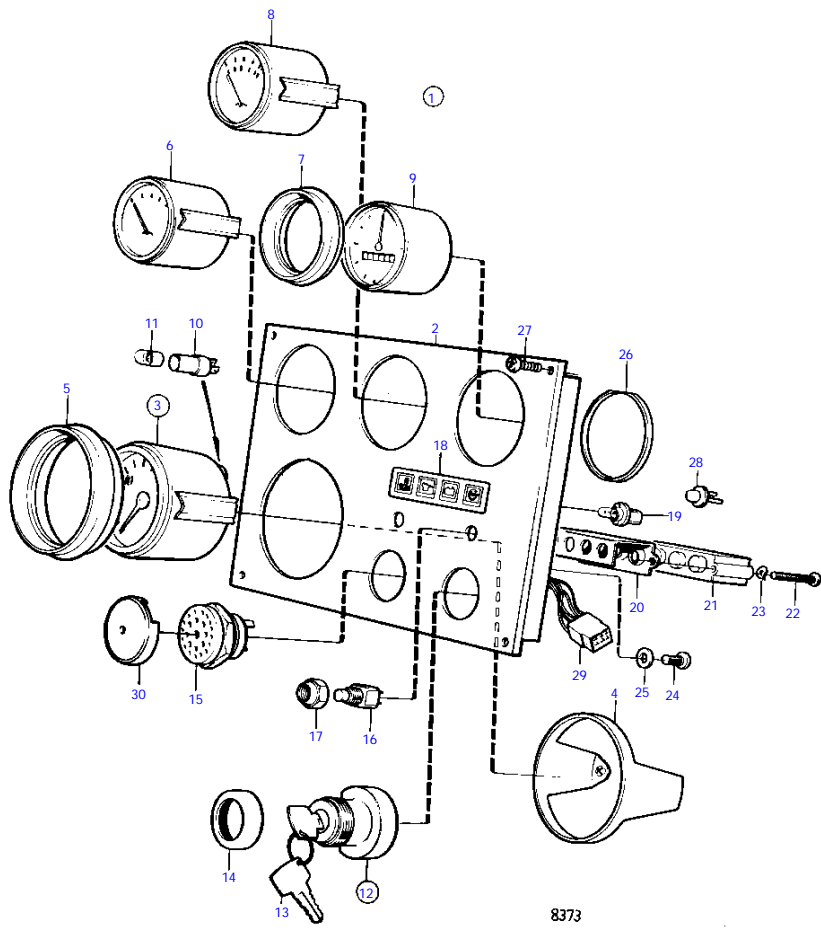
REF	PART NO.	QTY	DESCRIPTION	SEE SEC.	NOTES
1	838809	1	Instrument panel		12V
2	828588	1	* Instrument panel		
3	838811	1	* Tachometer		
4	828558	1	* • Attaching ring		
5	858644	1	* Front ring		(828559)
6	828612	1	* Thermometer		
7	858643	3	* Front ring		(828542)
8	828618	1	* Instrument		
9	828628	1	* Voltmeter		REPL BY 863930
	863930	1	* Voltmeter		
10	808175	4	* Lamp socket		FOR EARLY TYPE OF INSTRUMENTS WITH WHITE BULB
	863945	4	* • Lamp socket		FOR INSTRUMENTS WITH RED BULB
11	19923	4	* Bulb		12V WHITE
	863946	4	* • Bulb		12V RED
12	828778	1	* Starter switch		
13	828676	1	* • Key		STATE KEY CODE WHEN ORDERING, OBSOLETE PART
			Bulletin P-36-4-1	P-36-4-1-EN	Deleted Part No's for Keys
14	1581184	1	* Round nut		
15	828587	1	* Buzzer		
16	828584	1	* Toggle switch		
	828585	1	* Toggle switch		
17	828586	2	* Nut		
18	858645	1	* Symbol strip		(828560)
19	19923	4	* Bulb		
20	828784	1	* Reflector		
21	828783	1	* Electronic unit		
22	941615	2	* Cross recessed screw		
23	941904	2	* Spring washer		
24	949947	1	* Cross recessed screw		
25	941904	1	* Spring washer		
26	828803	3	* Guide ring		
27	828647	4	* Screw		
29	828646	1	* Cable trunk		
30	858795	1	Protecting casing		



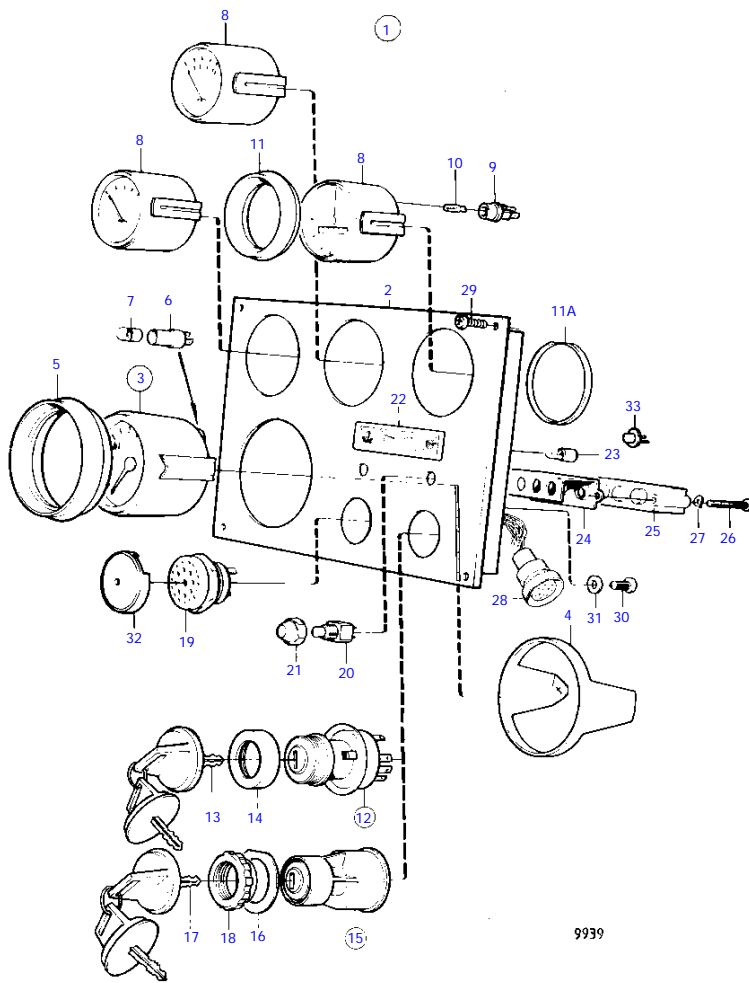
REF	PART NO.	QTY	DESCRIPTION	SEE SEC.	NOTES
1	858086	1	Instrument panel		24V, OBSOLETE PART
2	828588	1	* Instrument panel		
3	858087	1	* Tachometer		
4	828558	1	* • Attaching ring		
5	858644	1	* Front ring		(828559)
6	828613	1	* Thermometer		
7	858643	3	* Front ring		(828542)
8	828619	1	* Oil pressure gauge		REPL BY 863935
	863935	1	* Manometer		
9	828630	1	* Voltmeter		REPL BY 863931
	863931	1	* Voltmeter		
10	808175	4	* Lamp socket		FOR EARLY TYPE OF INSTRUMENTS WITH WHITE BULB
	863945	4	* • Lamp socket		FOR INSTRUMENTS WITH RED BULB
11	182059	4	* Bulb		24V WHITE
	863947	4	* • Bulb		24V RED
12	828778	1	* Starter switch		
13	828676	1	* • Key		STATE KEY CODE WHEN ORDERING, OBSOLETE PART
			Bulletin P-36-4-1	P-36-4-1-EN	Deleted Part No's for Keys
14	1581184	1	* Round nut		
15	828587	1	* Buzzer		
16	828584	1	* Toggle switch		
	828585	1	* Toggle switch		
17	828586	2	* Nut		
18	858645	1	* Symbol strip		(828560)
19	828818	4	* Bulb		
20	828784	1	* Reflector		
21	828783	1	* Electronic unit		
22	941615	2	* Cross recessed screw		
23	941904	2	* Spring washer		
24	949947	1	* Cross recessed screw		
25	941904	1	* Spring washer		
26	828803	3	* Guide ring		
27	828647	4	* Screw		
28	1518870	1	* Diode		
29		1	* CABLE UNIT		
30	858795	1	Protecting casing		



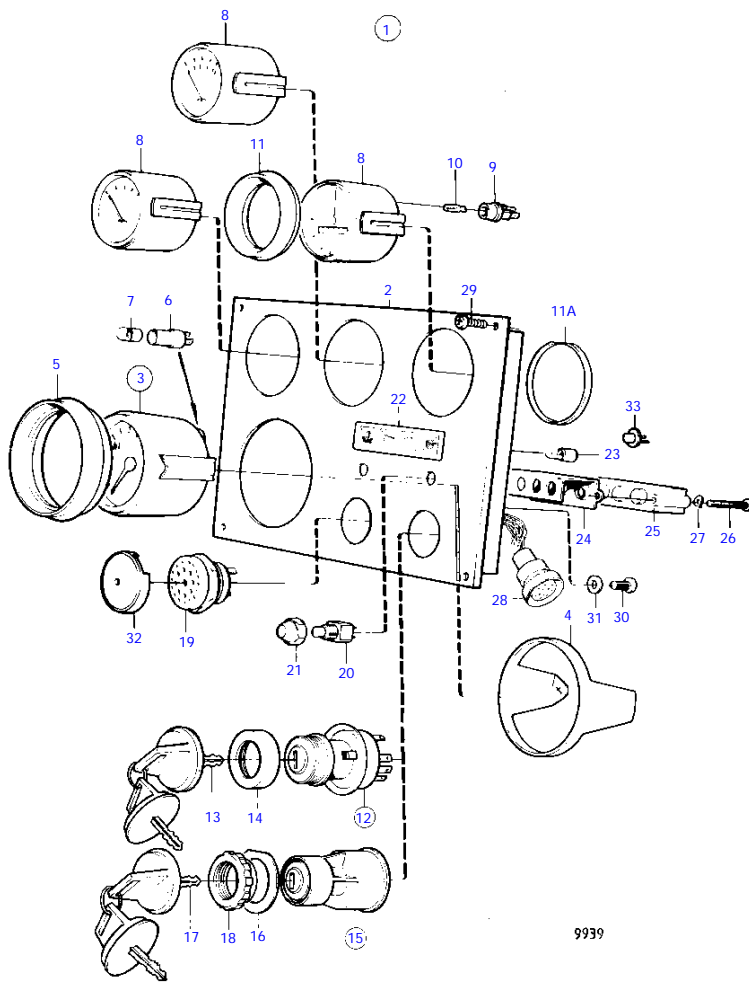
REF	PART NO.	QTY	DESCRIPTION	SEE SEC.	NOTES
1	859063	1	Instrument panel		24V
2	858647	1	* Instrument panel		
3	858655	1	* Tachometer		COMBINED TACHOMETER AND HOUR METER., REPL BY 864023
	864023	1	* Tachometer		COMBINED TACHOMETER AND HOUR METER.
4	849523	1	* Attaching ring		
5	858644	1	* Front ring		
6	828613	1	* Thermometer		
7	858643	3	* Front ring		
8	828619	1	* Oil pressure gauge		REPL BY 863935
	863935	1	* Manometer		
9	828630	1	* Voltmeter		REPL BY 863931
	863931	1	* Voltmeter		
10	808175	4	* Lamp socket		FOR EARLY TYPE OF INSTRUMENTS WITH WHITE BULB
	863945	4	* Lamp socket		FOR INSTRUMENTS WITH RED BULB
11	182059	4	* Bulb		24V WHITE
	863947	4	* Bulb		24V RED
12	828778	1	* Starter switch		
13	828676	1	* Key		STATE KEY CODE WHEN ORDERING, OBSOLETE PART
			Bulletin P-36-4-1	P-36-4-1-EN	Deleted Part No's for Keys
14	1581184	1	* Round nut		
15	828587	1	* Buzzer		
16	828584	1	* Toggle switch		
	828585	1	* Toggle switch		
17	828586	2	* Nut		
18	858645	1	* Symbol strip		
19	828818	4	* Bulb		
20	828784	1	* Reflector		
21	828783	1	* Electronic unit		
22	941615	2	* Cross recessed screw		
23	941904	2	* Spring washer		
24	949947	1	* Cross recessed screw		
25	941904	1	* Spring washer		
26	828803	3	* Guide ring		
27	828647	4	* Screw		
28	1518870	1	* Diode		
29	859050	1	* Cable kit		
30	858795	1	Protecting casing		



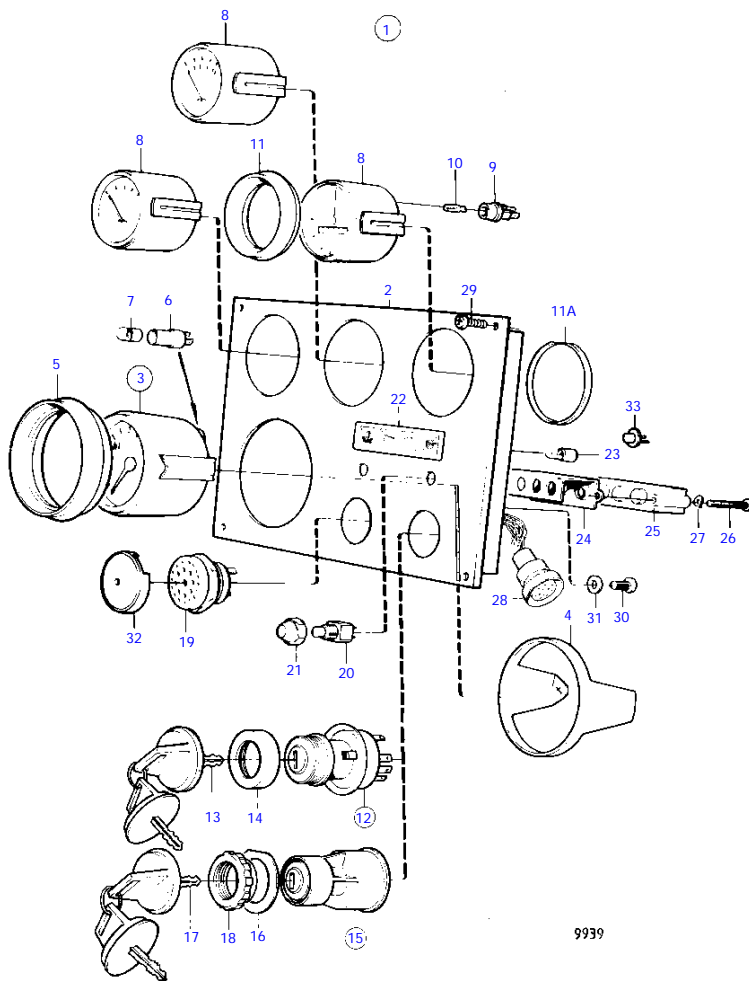
REF	PART NO.	QTY	DESCRIPTION	SEE SEC.	NOTES
1	859099	1	Instrument panel		12V
2	858647	1	* Instrument panel		
3	864022	1	* Tachometer		COMBINED TACHOMETER AND HOUR METER.
4	849523	1	* Attaching ring		
5	858644	1	* Front ring		
6	828612	1	* Thermometer		
7	858643	3	* Front ring		
8	828618	1	* Instrument		
9	828628	1	* Voltmeter		REPL BY 863930
	863930	1	* Voltmeter		
10	808175	4	* Lamp socket		FOR EARLY TYPE OF INSTRUMENTS WITH WHITE BULB
	863945	4	* Lamp socket		FOR INSTRUMENTS WITH RED BULB
11	19923	4	* Bulb		12V WHITE
	863946	4	* Bulb		12V RED
12	828778	1	* Starter switch		
13	828676	1	* Key		STATE KEY CODE WHEN ORDERING, OBSOLETE PART
			Bulletin P-36-4-1	P-36-4-1-EN	Deleted Part No's for Keys
14	1581184	1	* Round nut		
15	828587	1	* Buzzer		
16	828584	1	* Toggle switch		
	828585	1	* Toggle switch		
17	828586	2	* Nut		
18	858645	1	* Symbol strip		
19	19923	4	* Bulb		
20	828784	1	* Reflector		
21	828783	1	* Electronic unit		
22	941615	2	* Cross recessed screw		
23	941904	2	* Spring washer		
24	949947	1	* Cross recessed screw		
25	941904	1	* Spring washer		
26	828803	3	* Guide ring		
27	828647	4	* Screw		
29	828646	1	* Cable trunk		
30	858795	1	Protecting casing		



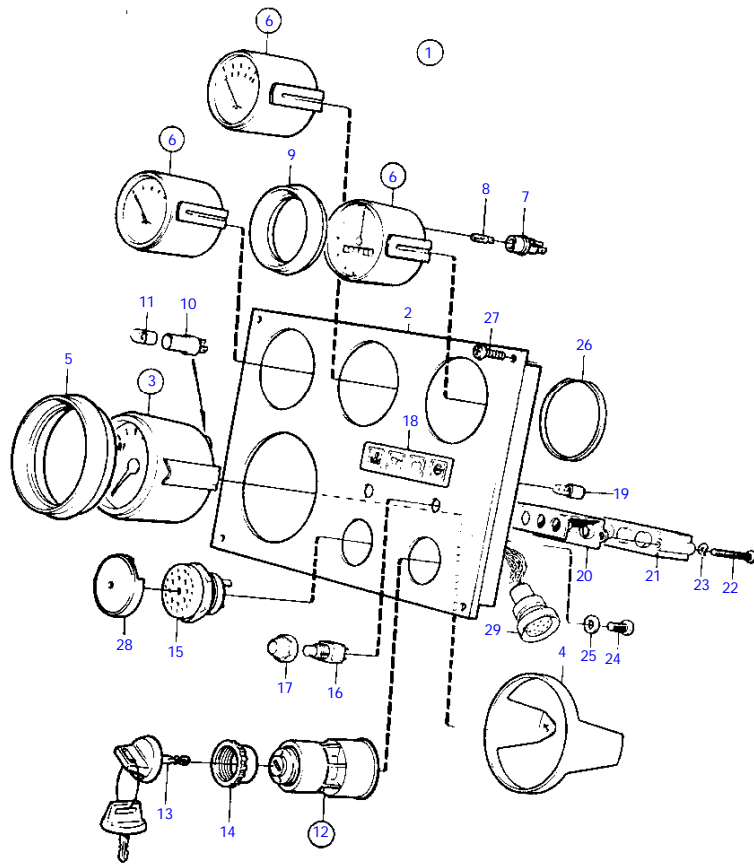
REF	PART NO.	QTY	DESCRIPTION	SEE SEC.	NOTES
1	858865	1	Instrument panel		12V
2	858647	1	* Instrument panel		REPL BY 860182
	860182	1	* Instrument panel		
3	838811	1	* Tachometer		
4	828558	1	* Attaching ring		
5	858644	1	* Front ring		
6	808175	1	* Lamp socket		
7	19923	1	* Bulb		
8	828612	1	* Thermometer		REPL BY 863932
	863932	1	* Thermometer		
	828628	1	* Voltmeter		REPL BY 863930
	863930	1	* Voltmeter		
	828618	1	* Instrument		REPL BY 863934
	863934	1	* Manometer		
9	808175	3	* Lamp socket		FOR EARLY TYPE OF INSTRUMENTS WITH WHITE BULB
	863945	3	* Lamp socket		FOR INSTRUMENTS WITH RED BULB
10	19923	3	* Bulb		WHITE
	863946	3	* Bulb		RED
11	858643	3	* Front ring		
11A	828803	3	* Guide ring		
12	828778	1	* Starter switch		REPL BY 864277
13	828676	2	* Key		STATE KEY CODE WHEN ORDERING, OBSOLETE PART
			Bulletin P-36-4-1	P-36-4-1-EN	Deleted Part No's for Keys
14	1581184	1	* Round nut		
15	864277	1	* Starter switch		
16		1	* MARKING LABEL		
17	859953	2	* Key		STATE KEY CODE WHEN ORDERING
			Bulletin 49-30	49-30-EN	Key P/N 859953
18	859955	1	* Plastic nut		
19	828587	1	* Buzzer		
20	828584	1	* Toggle switch		TEST ALARM
	828585	1	* Toggle switch		LIGHTING
21	828586	2	* Nut		
22	858645	1	* Symbol strip		
23	19923	4	* Bulb		
24	828784	1	* Reflector		
25	828783	1	* Electronic unit		
26	941615	2	* Cross recessed screw		
27	941904	2	* Spring washer		
28	828646	1	* Cable trunk		
29	828647	4	* Screw		
30	949947	1	* Cross recessed screw		
31	941904	1	* Spring washer		
32	858795	1	* Protecting casing		



REF	PART NO.	QTY	DESCRIPTION	SEE SEC.	NOTES
1	858866	1	Instrument panel		24V, OBSOLETE PART
2	858647	1	* Instrument panel		REPL BY 860182
	860182	1	* Instrument panel		
3	858087	1	* Tachometer		
4	828558	1	* * Attaching ring		
5	858644	1	* Front ring		
6	808175	1	* Lamp socket		
7	182059	1	* Bulb		
8	828613	1	* Thermometer		REPL BY 863933
	863933	1	* Thermometer		
	828630	1	* Voltmeter		REPL BY 863931
	863931	1	* Voltmeter		
	828619	1	* Oil pressure gauge		REPL BY 863935
	863935	1	* Manometer		
9	808175	3	* Lamp socket		FOR EARLY TYPE OF INSTRUMENTS WITH WHITE BULB
	863945	3	* * Lamp socket		FOR INSTRUMENTS WITH RED BULB
10	182059	3	* Bulb		WHITE
	863947	3	* * Bulb		RED
11	858643	3	* Front ring		
11A	828803	3	* Guide ring		
12	828778	1	* Starter switch		REPL BY 864277
13	828676	2	* * Key		STATE KEY CODE WHEN ORDERING, OBSOLETE PART
			Bulletin P-36-4-1	P-36-4-1-EN	Deleted Part No's for Keys
14	1581184	1	* * Round nut		
15	864277	1	* Starter switch		
16		1	* * MARKING LABEL		
17	859953	2	* * Key		STATE KEY CODE WHEN ORDERING
			Bulletin 49-30	49-30-EN	Key P/N 859953
18	859955	1	* * Plastic nut		
19	828587	1	* Buzzer		
20	828584	1	* Toggle switch		TEST ALARM
	828585	1	* Toggle switch		LIGHTING
21	828586	2	* Nut		
22	858645	1	* Symbol strip		
23	828818	4	* Bulb		
24	828784	1	* Reflector		
25	828783	1	* Electronic unit		
26	941615	2	* Cross recessed screw		
27	941904	2	* Spring washer		
28		X	* CABLES AND TERMINALS	19240	
		X	* ELECTRICAL MATERIALS	19241	
29	828647	4	* Screw		
30	949947	1	* Cross recessed screw		
31	941904	1	* Spring washer		
32	858795	1	* Protecting casing		
33	1518870	1	* Diode		



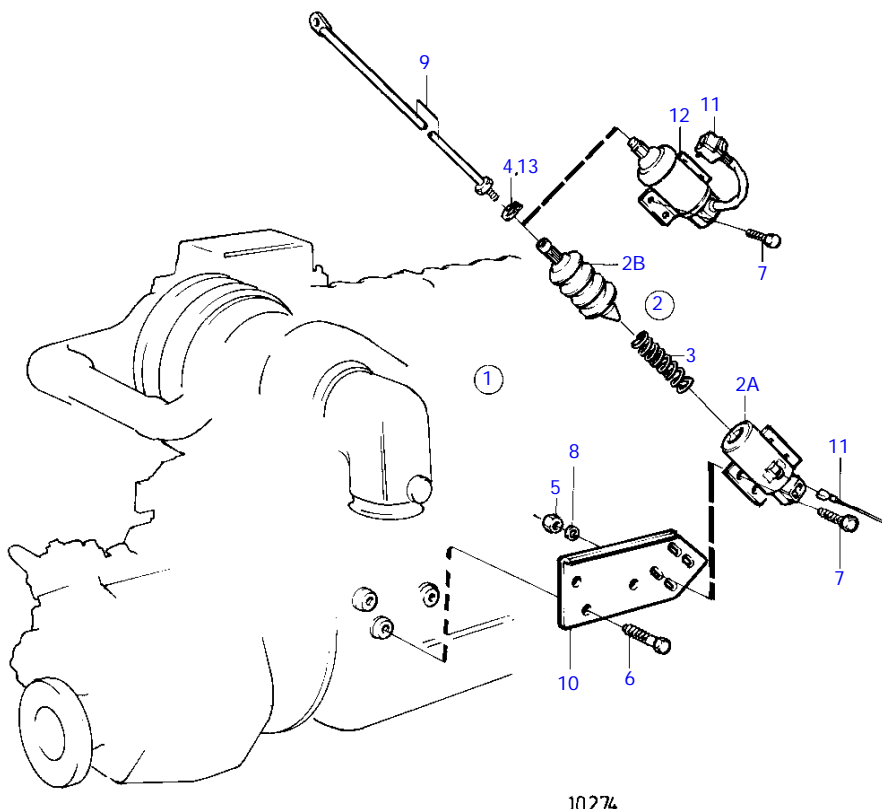
REF	PART NO.	QTY	DESCRIPTION	SEE SEC.	NOTES
1	864041	1	Instrument panel		24V
2	860182	1	* Instrument panel		
3	864023	1	* Tachometer		FOR W
4	849523	1	* • Attaching ring		
5	858644	1	* Front ring		
6	808175	1	* Lamp socket		
7	182059	1	* Bulb		
8	863933	1	* Thermometer		
	863931	1	* Voltmeter		
	863935	1	* Manometer		
9	863945	3	Lamp socket		FOR INSTRUMENTS WITH RED BULB
10	863947	3	Bulb		RED
11	858643	3	* Front ring		
11A	828803	3	* Guide ring		
15	864277	1	* Starter switch		
16		1	* • MARKING LABEL		
17	859953	2	* • Key		STATE KEY CODE WHEN ORDERING
			Bulletin 49-30	49-30-EN	Key P/N 859953
18	859955	1	* • Plastic nut		
19	828587	1	* Buzzer		
20	828584	1	* Toggle switch		TEST ALARM
	828585	1	* Toggle switch		LIGHTING
21	828586	2	* Nut		
22	858645	1	* Symbol strip		
23	828818	4	* Bulb		
24	828784	1	* Reflector		
25	828783	1	* Electronic unit		
26	941615	2	* Cross recessed screw		
27	941904	2	* Spring washer		
28	859050	1	* Cable kit		
29	828647	4	* Screw		
30	949947	1	* Cross recessed screw		
31	941904	1	* Spring washer		
32	858795	1	* Protecting casing		
33	1518870	1	* Diode		



9715

REF	PART NO.	QTY	DESCRIPTION	SEE SEC.	NOTES
1	864040	1	Instrument panel		WHITE COLOURED DECOR STRIPE., 12V
2	860182	1	* Instrument panel		
3	864022	1	* Tachometer		
4	849523	1	* * Attaching ring		
5	858644	1	* Front ring		
6	863932	1	* Thermometer		
	863934	1	* Manometer		
	863930	1	* Voltmeter		
7	863945	3	* * Lamp socket		
8	863946	3	* * Bulb		
9	858643	3	* Front ring		
10	808175	1	* Lamp socket		
11	19923	1	* Bulb		
12	864277	1	* Starter switch		
13	859953	2	* * Key		STATE KEY CODE WHEN ORDERING
			Bulletin 49-30	49-30-EN	Key P/N 859953
14	859955	1	* * Plastic nut		
15	828587	1	* Buzzer		
16	828584	1	* Toggle switch		ALARM
	828585	1	* Toggle switch		LIGHTING
17	828586	2	* Nut		
18	858645	1	* Symbol strip		
19	19923	4	* Bulb		
20	828784	1	* Reflector		
21	828783	1	* Electronic unit		
22	941615	2	* Cross recessed screw		
23	941904	2	* Spring washer		
24	949947	1	* Cross recessed screw		
25	941904	1	* Spring washer		
26	828803	3	* Guide ring		
27	828647	4	* Screw		
28	858795	1	* Protecting casing		
29	828646	1	* Cable trunk		
		X	* CABLES AND TERMINALS	19240	

TMD31A



10274

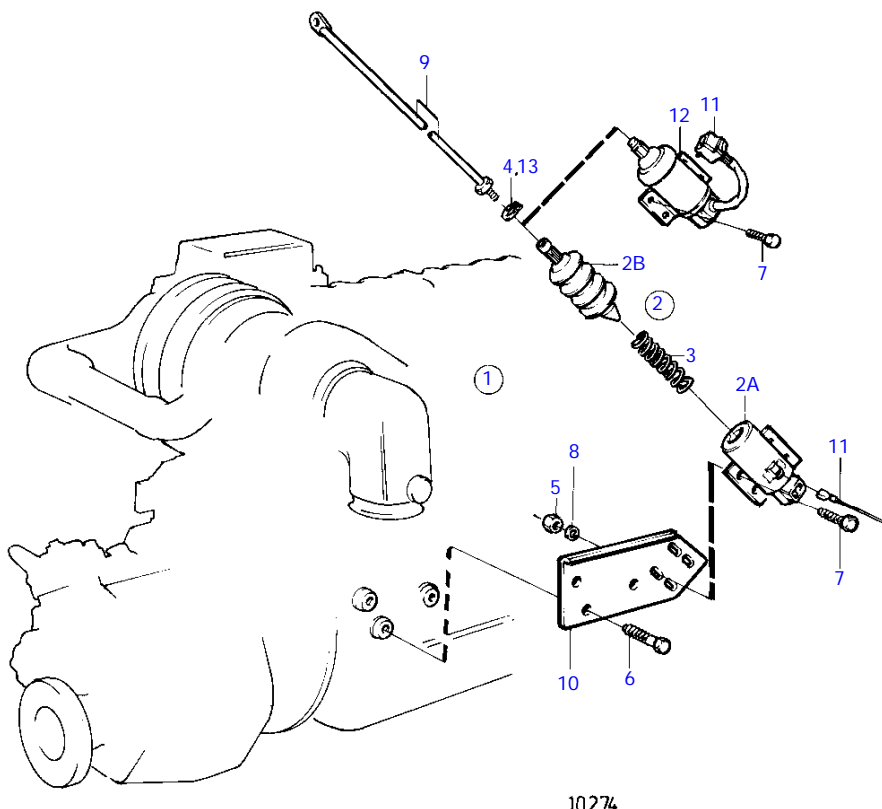


TMD31A

REF	PART NO.	QTY	DESCRIPTION	SEE SEC.	NOTES
1		1	SOLENOID		REPL BY 864255
2		1	• SOLENOID		REPL BY 859079
2A		1	• • SOLENOID		
2B		1	• • • SOLENOID		
3	843401	1	• Return spring		
4	969294	1	• Snap ring		OBSOLETE PART
5	945408	4	Flange nut		
6	970972	3	Hexagon screw		(955342)
7	946173	4	Flange screw		
8	960141	4	Washer		
9	858928	1	Pull rod		
10	858925	1	Bracket		
11		X	CABLES AND TERMINALS	19240	
12	864255	1	Stop solenoid		12V
13	969294	1	Snap ring		OBSOLETE PART



TAMD31A



10274

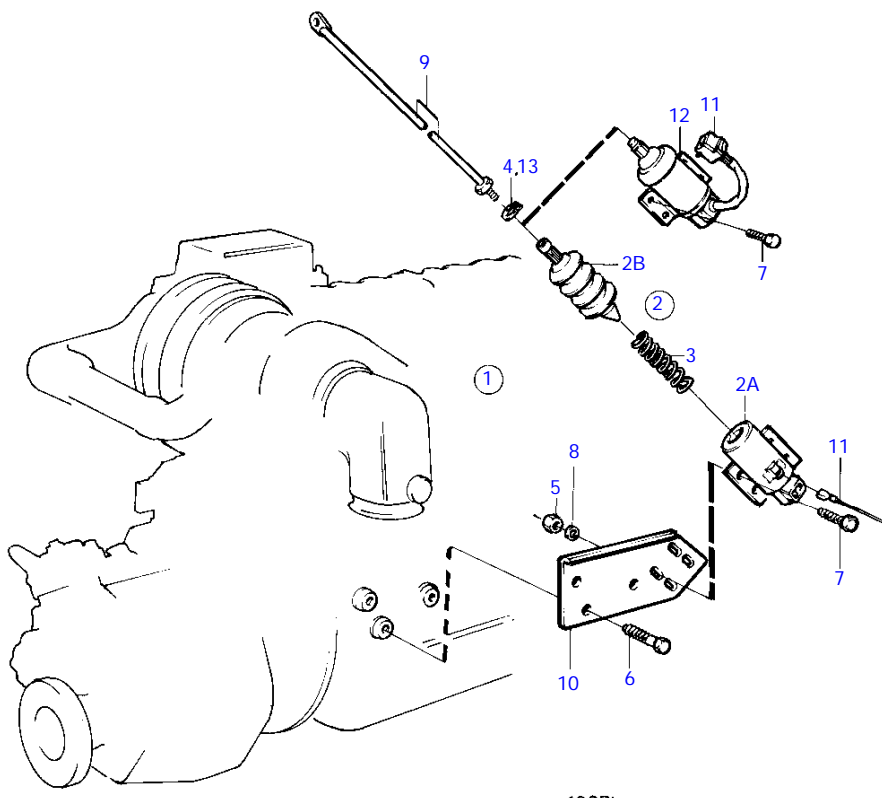


TAMD31A

REF	PART NO.	QTY	DESCRIPTION	SEE SEC.	NOTES
1		1	SOLENOID		REPL BY 864255
	876175	1	Control magnet kit		(859080) 24V
2		1	* SOLENOID		REPL BY 859079
	848926	1	* Stop solenoid		24V,REPL BY 876175
2A		1	* * SOLENOID		
2B		1	* * SOLENOID		
3	843401	1	* Return spring		
4	969294	1	* Snap ring		OBSOLETE PART
5	945408	4	Flange nut		
6	970972	3	Hexagon screw		(955342)
7	946173	4	Flange screw		
8	960141	4	Washer		
9	858928	1	Pull rod		
10	858925	1	Bracket		
11		X	CABLES AND TERMINALS	19240	
12	864255	1	Stop solenoid		12V
13	969294	1	Snap ring		OBSOLETE PART



AQAD31A

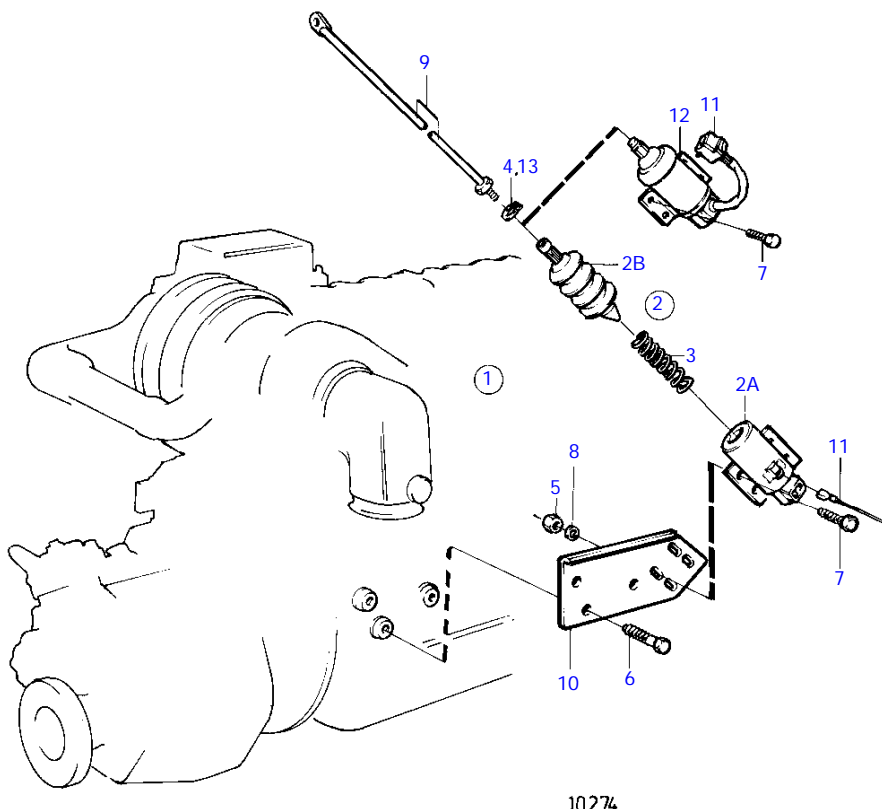


AQAD31A

REF	PART NO.	QTY	DESCRIPTION	SEE SEC.	NOTES
1		1	SOLENOID		REPL BY 864255
2		1	• SOLENOID		REPL BY 859079
2A		1	• • SOLENOID		
2B		1	• • • SOLENOID		
3	843401	1	• Return spring		
4	969294	1	• Snap ring		OBSOLETE PART
5	945408	4	Flange nut		
6	946817	3	Flange screw		
7	946173	4	Flange screw		
8	960141	4	Washer		
9	858927	1	Pull rod		
10	858925	1	Bracket		
11		X	CABLES AND TERMINALS	19240	
12	864255	1	Stop solenoid		12V
13	969294	1	Snap ring		OBSOLETE PART



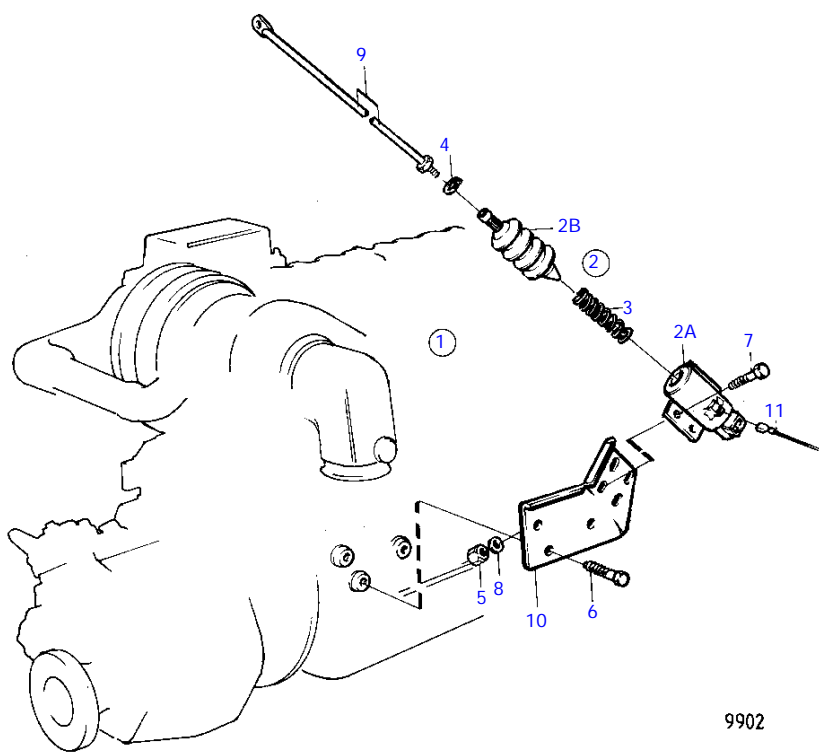
AD31A



AD31A

REF	PART NO.	QTY	DESCRIPTION	SEE SEC.	NOTES
1		1	SOLENOID		REPL BY 864255
2		1	• SOLENOID		REPL BY 859079
2A		1	• • SOLENOID		
2B		1	• • • SOLENOID		
3	843401	1	• Return spring		
4	969294	1	• Snap ring		OBSOLETE PART
5	945408	4	Flange nut		
6	946817	3	Flange screw		
7	946173	4	Flange screw		
8	960141	4	Washer		
9	858927	1	Pull rod		
10	858925	1	Bracket		
11		X	CABLES AND TERMINALS	19240	
12	864255	1	Stop solenoid		12V
13	969294	1	Snap ring		OBSOLETE PART





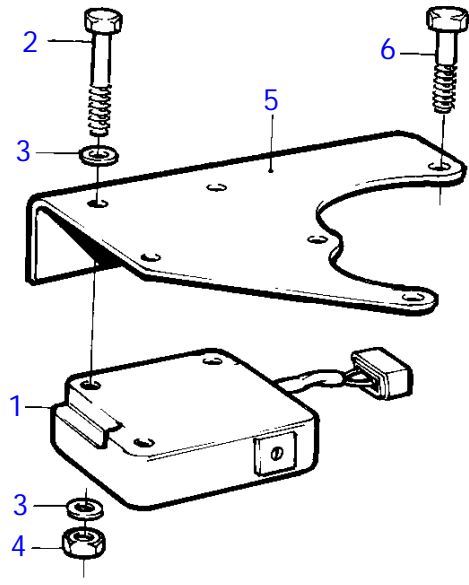
9902

--

REF	PART NO.	QTY	DESCRIPTION	SEE SEC.	NOTES
1	876175	1	Control magnet kit		
2	848926	1	• Stop solenoid		REPL BY 876175
2A		1	• • SOLENOID		
2B		1	• • SOLENOID		
3	843401	1	• Return spring		
4	969294	1	• Snap ring		OBSOLETE PART
5	945408	4	Flange nut		
6	970972	3	Hexagon screw		(955342)
7	946173	4	Flange screw		
8	960141	4	Washer		
9	858928	1	Pull rod		
10	859437	1	Bracket		OBSOLETE PART
11		X	CABLES AND TERMINALS	19240	

--	--	--	--	--	--





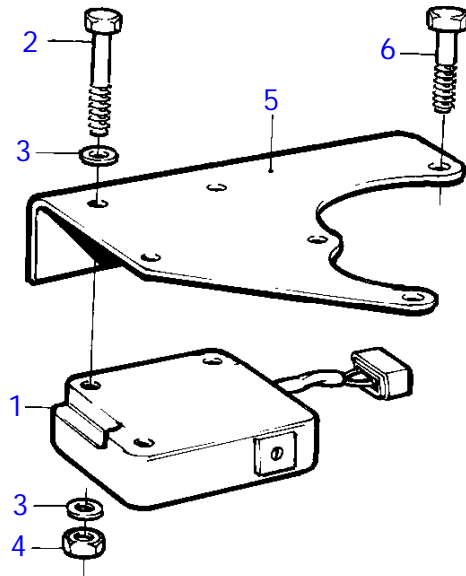
9612

--

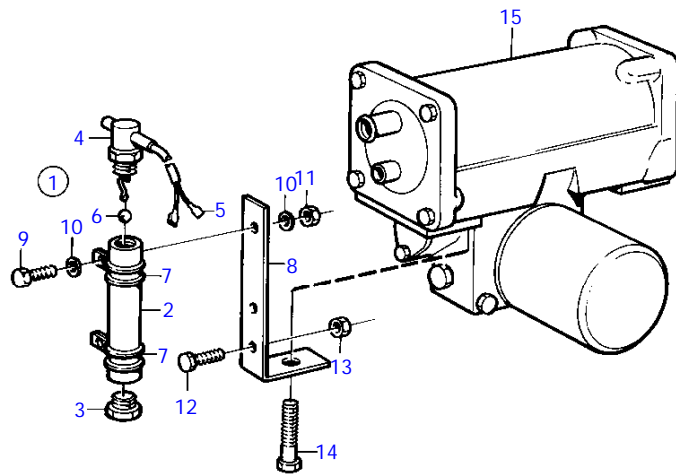
REF	PART NO.	QTY	DESCRIPTION	NOTES
1	858760	1	Microswitch	OBSOLETE PART
2	955232	3	Hexagon screw	
3	955891	3	Washer	TH = 0.8mm
	960137	3	Washer	TH = 1.0mm
4	963103	3	Lock nut	
5	858756	1	Bracket	
6	946544	3	Flange screw	



TMD31A, TAMD31A, AQAD31A, AD31A



9612

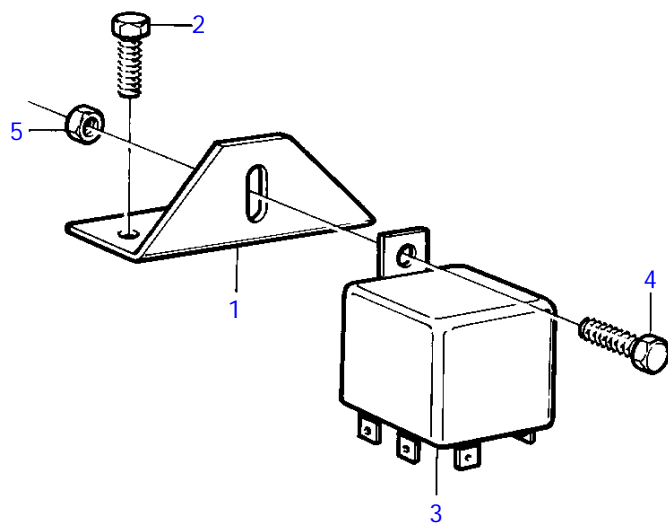


8379

--

REF	PART NO.	QTY	DESCRIPTION	SEE SEC.	NOTES
1	858255	1	Tilt monitor		
2	858169	1	• Sleeve		OBSOLETE PART
3	914392	1	• Plug		
4	858454	1	• Switch		
5		X	• • CABLES AND TERMINALS	19240	
6	181332	1	• Ball		OBSOLETE PART
7	952635	2	Clamp		
8	858803	1	Bracket		OBSOLETE PART
9	955271	2	Hexagon screw		
10	955892	4	Washer		
11	955781	2	Hexagon nut		
12	965199	1	Flange screw		
13	965483	1	Flange nut		
14		1	SCREW		SEE GROUP 2B
15		1	OIL COOLER		SEE GROUP 2B

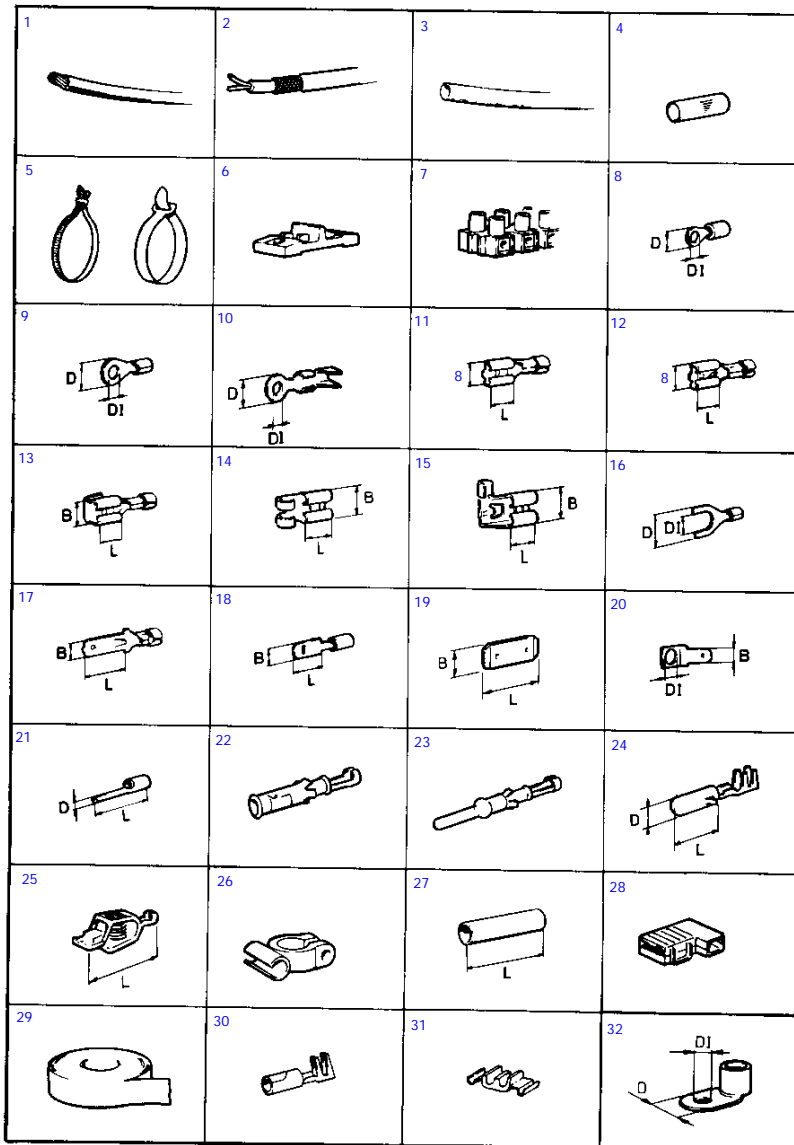




8378

REF	PART NO.	QTY	DESCRIPTION	NOTES
1	858937	1	Bracket	
2		2	SCREW	SEE GROUP 2B
3	846762	1	Relay	12V
	838955	1	Relay	24V
4	965175	1	Flange screw	
5	949278	1	Flange lock nut	

MD31A, TMD31A, TMD31B, TAMD31A, TAMD31B, AQAD31A, AD31A, AD31B



9702

MD31A, TMD31A, TMD31B, TAMD31A, TAMD31B, AQAD31A, AD31A, AD31B

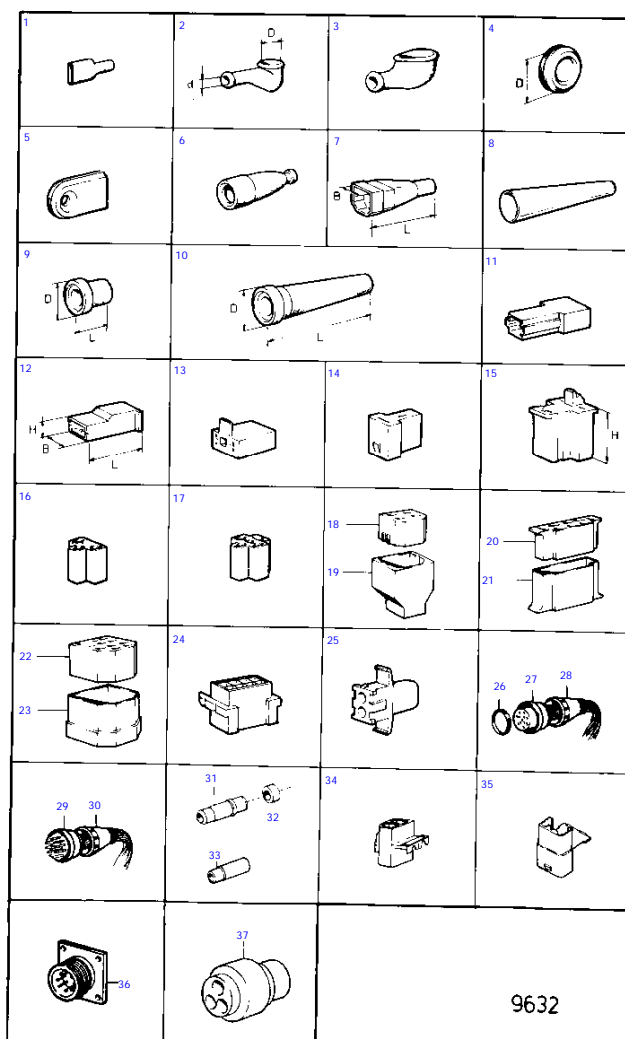
REF	PART NO.	QTY	DESCRIPTION	NOTES
1	964131	X	Electric cable, CABLE	OBSOLETE PART IVORY/BLACK
	964132	X	Electric cable, CABLE	RK 0,75 SQ MM, OBSOLETE PART IVORY/RED
	964135	X	Electric cable, CABLE	RK 0,75 SQ MM, OBSOLETE PART GREEN/BLACK
	964136	X	Electric cable, CABLE	RK 0,75 SQ MM, OBSOLETE PART GREEN/RED
	954443	X	Electric cable	RK 1,5 SQ MM, BLACK
	954444	X	Electric cable	RK 1,5 SQ MM, BROWN
	954445	X	Electric cable	RK 1,5 SQ MM, RED
	965754	X	Electric cable	RK 1,5 SQ MM, PURPLE, OBSOLETE PART
	954446	X	Electric cable	RK 1,5 SQ MM, YELLOW, OBSOLETE PART
	954447	X	Electric cable	RK 1,5 SQ MM, GREEN, OBSOLETE PART
	954448	X	Electric cable	RK 1,5 SQ MM, BLUE, OBSOLETE PART
	954449	X	Electric cable	RK 1,5 SQ MM, GREY, OBSOLETE PART
	954450	X	Electric cable	RK 1,5 SQ MM, IVORY, OBSOLETE PART
	961792	X	Electric cable, CABLE	RK 1,5 SQ MM, OBSOLETE PART IVORY/BLACK
	961795	X	Electric cable, CABLE	RK 1,5 SQ MM, OBSOLETE PART IVORY/BLUE
	961794	X	Electric cable, CABLE	RK 1,5 SQ MM, OBSOLETE PART IVORY/GREEN
	961798	X	Electric cable, CABLE	RK 1,5 SQ MM, OBSOLETE PART GREEN/BLUE
	961800	X	Electric cable, CABLE	RK 1,5 SQ MM, OBSOLETE PART BLUE/YELLOW
	964142	X	Electric cable, CABLE	RK 1,5 SQ MM, OBSOLETE PART GREEN/YELLOW
	954451	X	Electric cable	RK 2,5 SQ MM, BLACK
	954452	X	Electric cable	RK 2,5 SQ MM, BROWN, OBSOLETE PART
	954453	X	Electric cable	RK 2,5 SQ MM, RED, OBSOLETE PART
	954455	X	Electric cable	RK 2,5 SQ MM, GREEN, OBSOLETE PART
	954456	X	Electric cable	RK 2,5 SQ MM, BLUE, OBSOLETE PART
	954458	X	Electric cable	RK 2,5 SQ MM, IVORY, OBSOLETE PART
	954461	X	Electric cable	RK 4 SQ MM, RED
	954464	X	Electric cable	RK 4 SQ MM, BLUE, OBSOLETE PART
	954465	X	Electric cable	RK 4 SQ MM, GREY, OBSOLETE PART
	954463	X	Electric cable	RK 4 SQ MM, GREEN, OBSOLETE PART
	954467	X	Electric cable	RK 6 SQ MM, BLACK
	954469	X	Electric cable	RK 6 SQ MM, RED
	954471	X	Electric cable	RK 6 SQ MM, GREEN, OBSOLETE PART
	954485	X	Electric cable	RK 16 SQ MM, RED
	954500	X	Electric cable	RK 25 SQ MM, RED, OBSOLETE PART
	954502	X	Electric cable	RK 35 SQ MM, RED
2	862989	X	Cable	2X1,5 SQ MM CLASS
	862991	X	Cable	19X1,5 SQMM CLASS
	863657	X	Cable	ARMOURED, 2X1,5 SQ MM CLASS, OBSOLETE PART
	842092	X	Cable	3X1,5 SQMM CLASS, OBSOLETE PART
	846273	X	Cable	4X1,5 SQMM CLASS
	842093	X	Cable	7X1,5 SQMM CLASS, OBSOLETE PART
	843084	X	Cable	12X1,5 SQMM CLASS, OBSOLETE PART
	846639	X	Electric cable	16X1,5 SQMM CLASS
	842091	X	Cable	2X2,5 SQMM CLASS
	844578	X	Cable	4X2,5 SQMM CLASS
	842090	X	Cable	3X6 SQMM CLASS, OBSOLETE PART
	843085	X	Cable	3X16 SQMM CLASS, OBSOLETE PART
	846345	X	Cable	2X6+2X1,5 SQMM CLASS, OBSOLETE PART
	846346	X	Cable	2X16+2X1,5 SQMM CLASS
3	185501	X	Hose	D = 9 MM, I.D = 8 MM, OBSOLETE PART
	969015	X	Hose	(949988), OBSOLETE PART D = 11,5 MM, I.D = 8 MM
	185506	X	Hose	D = 6 MM, I.D = 5 MM, OBSOLETE PART
	185507	X	Hose	D = 11 MM, I.D = 10 MM, OBSOLETE PART
	185509	X	Outer casing	D = 19 MM, I.D = 15 MM, OBSOLETE PART
4	899751	X	Cable mark	FOR GROUND WIRE, FOR CABLE AREA 1-2,5 SQMM, OBSOLETE PART
5	948210	X	Cable tie	NYLON
	335146	X	Cable tie	AL, OBSOLETE PART
6	942659	X	Terminal block	4-WAY
	942660	X	Terminal block	6-WAY
	942558	X	Terminal block	8-WAY., OBSOLETE PART
	942661	X	Terminal block	10-WAY., OBSOLETE PART
	942662	X	Terminal block	12-WAY., OBSOLETE PART
7	182010	X	Coupling piece	2-WAY., MAX 15SQ MM
	190128	X	Coupling piece	5-WAY., MAX 15SQ MM
	926219	X	Coupling piece	6-WAY., (182008) MAX 20SQ MM
	941412	X	Coupling piece	3-WAY., MAX 20SQ MM, OBSOLETE PART
8	956924	X	Cable terminal	POUR SECTION CABLE 0,5-1,5 MILLIM%E2TRE-CARR%E1, I.D = 3,7 MM D = 5,6 MM, OBSOLETE PART
	956927	X	Cable terminal	FOR CABLE AREA 1,5-2,5 SQMM., I.D = 3,7 MM D = 17 MM
	956928	X	Cable terminal	FOR CABLE AREA 1,5-2,5 SQMM., I.D = 4,3 MM D = 18 MM
9	881516	X	Cable terminal	POUR SECTION CABLE 0,5-1,5 MILLIM%E2TRE-CARR%E1, I.D = 3,5 MM D = 5,5 MM
	881519	X	Cable terminal	FOR CABLE AREA 2,7-6,6 SQMM., I.D = 3,7 MM D = 7,1 MM, OBSOLETE PART
	949591	X	Cable terminal	FOR CABLE AREA 6,5-10,5 SQMM., I.D = 4,3 MM D = 8 MM, OBSOLETE PART
	881492	X	Cable terminal	FOR CABLE AREA 0,75-2,0 SQMM., I.D = 4,3 MM D = 8,7 MM
	881506	X	Cable terminal	FOR CABLE AREA 3,0-6,0 SQMM., I.D = 4,3 MM D = 9,5 MM
	881493	X	Cable terminal	FOR CABLE AREA 1,5-2,5 SQMM., I.D = 5,2 MM D = 8,7 MM
	881495	X	Cable terminal	FOR CABLE AREA 3,0-6,0 SQMM., I.D = 5,2 MM D = 9,5 MM
	881512	X	Cable terminal	FOR CABLE AREA 10,5-16,5 SQMM. (958235)

MD31A, TMD31A, TMD31B, TAMD31A, TAMD31B, AQAD31A, AD31A, AD31B

REF	PART NO.	QTY	DESCRIPTION	NOTES
				I.D = 5,2 MM D = 15,9
	940331	X	Cable terminal	FOR CABLE AREA 6,1-10SQMM, I.D = 5,3 MM D = 10 MM
	940335	X	Cable terminal	FOR CABLE AREA 16 SQMM, I.D = 6,5 MM D = 16 MM
	881508	X	Cable terminal	FOR CABLE AREA 1,5-2,5 SQMM, I.D = 6,7 MM D = 11,9 MM
	881496	X	Cable terminal	FOR CABLE AREA 3,0-6,0 SQMM, I.D = 6,7 MM D = 12,7 MM
	940335	X	Cable terminal	FOR CABLE AREA 10,5-16,0 SQMM, (881501)
				I.D = 6,7 MM D = 15,9 MM
	881494	X	Cable terminal	FOR CABLE AREA 1,5-2,5 SQMM, I.D = 8,3 MM D = 11,9 MM
	881497	X	Cable terminal	FOR CABLE AREA 3,0-6,0 SQMM, I.D = 8,3 MM D = 12,7 MM
	940333	X	Cable terminal	FOR CABLE AREA 6,5-10,5 SQMM, I.D = 8,3 MM D = 15,1 MM
	881502	X	Cable terminal	FOR CABLE AREA 10,5-16,0 SQMM, I.D = 8,3 MM D = 15,9 MM
	940336	X	Cable terminal	FOR CABLE AREA 16 SQMM, I.D = 8,4 MM D = 14 MM
	940337	X	Cable terminal	FOR CABLE AREA 6,5-10,5 SQMM, I.D = 10,5 MM D = 18 MM
	881498	X	Cable terminal	FOR CABLE AREA 3,0-6,0 SQMM, I.D = 10,5 MM D = 15,4 MM
10	11426	X	Cable terminal	FOR CABLE AREA 0,75-2,5 SQMM, I.D = 4,5 MM D = 8 MM, OBSOLETE PART
	853015	X	Cable terminal	FOR TRIM INSTRUMENT.
11	949404	X	Cable terminal	FOR CABLE AREA 1-2,5 SQMM, L = 6,4 MM B = 5,6 MM
	949210	X	Cable terminal	FOR CABLE AREA 0,75-1 SQMM, L = 7,4 MM B = 6,5 MM
	881483	X	Cable terminal	FOR CABLE AREA 1,5-2,5 SQMM, L = 7,7 MM B = 7,6 MM
	881484	X	Cable terminal	FOR CABLE AREA 3,0-6,0 SQMM, L = 7,7 MM B = 7,6 MM
12	949204	X	Cable terminal	FOR CABLE AREA 1-2,5 SQMM, L = 7,7 MM B = 7,4 MM, OBSOLETE PART
	881485	X	Cable terminal	FOR CABLE AREA 1,5-2,5 SQMM, L = 7,7 MM B = 7,6 MM
	881486	X	Cable terminal	FOR CABLE AREA 3,0-6,0 SQMM, L = 7,7 MM B = 7,6 MM
13	941730	X	Cable terminal	FOR CABLE AREA 1,5-2,5 SQMM, L = 7,7 MM B = 6,4 MM
	881491	X	Cable terminal	FOR CABLE AREA 1,5-2,5 SQMM, L = 7,7 MM B = 7,6 MM
14		X		POUR SECTION CABLE 0,5-1,5 MILLIM%ETRE-CARR%E1, L = 6,2 MM B = 5,6 MM
15	881489	X	Cable terminal	FOR CABLE AREA 1-2,5 SQMM, L = 7,6 MM B = 7,6 MM
16	881511	X	Cable terminal	FOR CABLE AREA 3,0-6,0 SQMM, I.D = 4,4 MM D = 8 MM, OBSOLETE PART
	881509	X	Cable terminal	FOR CABLE AREA 1,5-2,5 SQMM, I.D = 4,4 MM D = 9,8 MM, OBSOLETE PART
	881505	X	Cable terminal	FOR CABLE AREA 1,5-2,5 SQMM, I.D = 5,2 MM D = 8,7 MM, OBSOLETE PART
17	943799	X	Cable terminal	FOR CABLE AREA 16 SQ MM, L = 8 MM B = 6,3 MM, OBSOLETE PART
	881487	X	Cable terminal	FOR CABLE AREA 1,5-2,5 SQMM, L = 15,7 MM B = 6,3 MM
	881488	X	Cable terminal	FOR CABLE AREA 3,0-6,0 SQMM, L = 15,7 MM B = 6,3 MM
18	881518	X	Cable terminal	FOR CABLE AREA 1,5-2,5 SQMM, L = 10 MM B = 6,3 MM
19	839328	X	Tab	L = 16,3 MM B = 6,3 MM
20	941449	X	Cable terminal	I.D = 3,7 MM B = 6,3 MM 9, OBSOLETE PART
	941090	X	Cable terminal, FLAT PIN	I.D = 4,1 MM B = 6,3 MM, OBSOLETE PART
				STRAIGHT
	944485	X	Cable terminal, FLAT PIN	I.D = 5,2 MM B = 6,3 MM
				STRAIGHT
	942888	X	Cable terminal	I.D = 5,2 MM B = 6,3 MM45
	829311	X	Tab	I.D = 5,2 MM B = 6,35 MM4
21	942429	X	Cable terminal	FOR CABLE AREA 1,5-2,5 SQMM, I.D = 1,8 MM L = 14,4 MM
22	847041	X	Sleeve, SLEEVE	FOR 846612
				REPL BY 849959
	849959	X	Cable terminal	FOR 846612
23	847040	X	Pin, PIN	FOR 846647
				REPL BY 849958
	849958	X	Cable terminal	FOR 846647
24	948291	X	Cable terminal	FOR CABLE AREA 2,5-4,5 SQMM, D = 3,56 MM L = 12,5 MM
				REPL BY 965824
	965824	X	Cable terminal	FOR 1608765
25	844280	X	Clip	L = 61 MM
26	954505	X	Cable terminal	- POLE 70-90SQ MM
	954506	X	Cable terminal	+ POLE 70-90SQ MM
27	956956	X	Splice	POUR SECTION CABLE 0,5-1,5 MILLIM%ETRE-CARR%E1, L = 26 MM
	956958	X	Splice	FOR CABLE AREA 1,5-2,5 SQMM, L = 26 MM
	956960	X	Splice	FOR CABLE AREA 3,0-6,0 SQMM, L = 28 MM
28	944221	X	Housing	FOR 881489
29	858283	X	Tape	
30	949371	X	Cable terminal	FOR 1598753
31	944306	X	Connector	
32	940336	X	Cable terminal	FOR CABLE AREA 16 SQ MM, I.D = 8,4 MM D = 14 MM



MD31A, TMD31A, TMD31B, TAMD31A, TAMD31B, AQAD31A, AD31A, AD31B

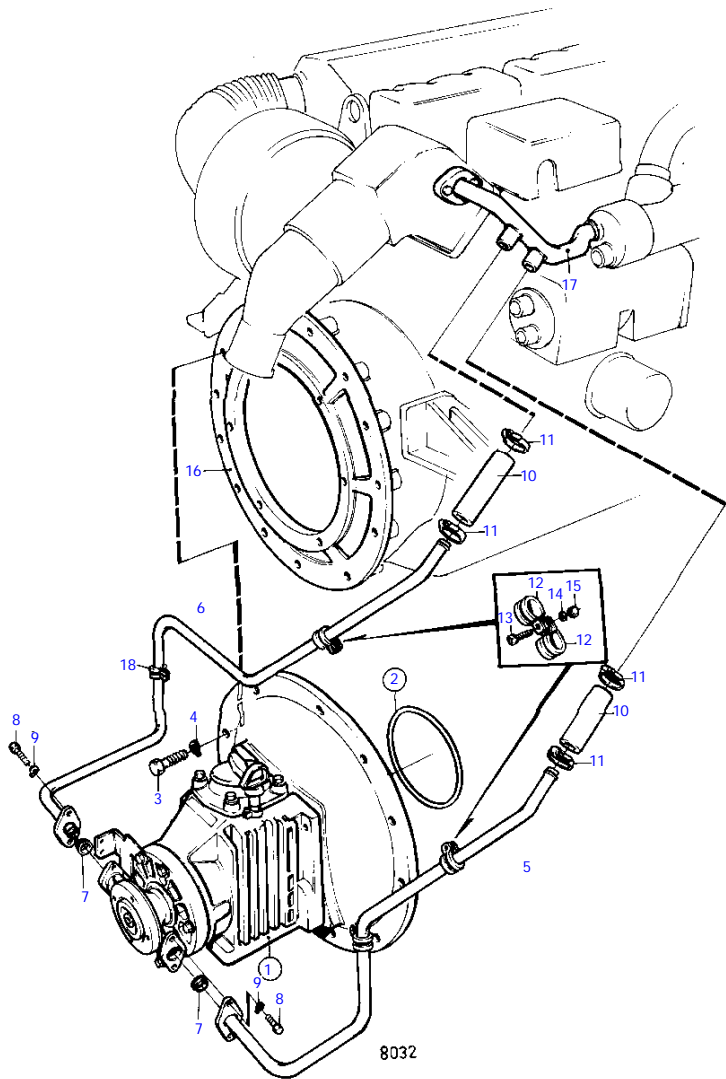


9632

MD31A, TMD31A, TMD31B, TAMD31A, TAMD31B, AQAD31A, AD31A, AD31B

REF	PART NO.	QTY	DESCRIPTION	NOTES
1	959046	X	Housing	
2	855281	X	Protecting sleeve	D = 16 MM D = 14 MM (8412, OBSOLETE PART)
	829200	X	Protective cap	D = 16 MM D = 6 MM
	76614	X	Rubber collar	
	842150	X	Protective cap	D = 16 MM D = 10 MM
	673580	X	Adapler	D = 24 MM D = 11 MM
3		X	RUBBER CAP	
4	941269	X	Plug	D = 25 MM
	821053	X	Protecting bushing	D = 35 MM
5	823759	X	Rubber bushing	
6	1576005	X	Bellows	OBSOLETE PART
	1573077	X	Bellows	OBSOLETE PART
7	831966	X	Protective cap	L = 88 MM B = 32,5 MM, OBSOLETE PART
8	844278	X	Isolation	BLACK, FOR (844280), OBSOLETE PART
	844279	X	Isolation	RED, FOR (844280), OBSOLETE PART
9	847005	X	Sealing collar	L = 4,6 MM D = 3,0 MM
10	847005	X	Sealing collar	L = 100 MM D = 20 MM
11		X	Housing	1-WAY., FOR958208
12	947848	X	Housing, RECEPTACLE HOUSING	1-WAY., L = 20 MM
				H = 5,5 MM B = 7,8 MM
	949181	X	Receptacle housing, RECEPTACLE HOUSING	1-WAY., L = 24 MM, OBSOLETE PART
				H = 7 MM B = 10,2 MM
	964196	X	Housing, RECEPTACLE HOUSING	1-WAY., FOR958207, OBSOLETE PART
				L = 24 MM H = 6,6 MM B =
	949597	X	Housing	1-WAY., L = 24,5 MM
				H = 4,9 MM B = 8,8 MM
	943511	X	Housing, PROTECTING SLEEVE	1-WAY., L = 24 MM
				H = 6,5 MM B = 10 MM
13	1578937	X	Housing	2-WAY
14	958210	X	Housing	2-WAY
15	945469	X	Housing	3-WAY., L = 23 MM
	963374	X	Housing, RECEPTACLE HOUSING	3-WAY., L = 24 MM, OBSOLETE PART
				FOR881485
16	948854	X	Receptacle housing	3-WAY., OBSOLETE PART
17	1214948	X	Housing	5-WAY.
18	948856	X	Housing	(958213)
19	948855	X	Housing	4-WAY., (958212)
20	941104	X	Housing	8-WAY., OBSOLETE PART
21	941105	X	Housing	8-WAY., OBSOLETE PART
22	945830	X	Housing	11-WAY.
23	945831	X	Tab housing	11-WAY.
24	944077	X	Housing	8-WAY.
	853014	X	Receptacle housing	FOR TRIM INSTRUMENT., 9-POLE, OBSOLETE PART
	948294	X	Housing, INSULATOR	9-POL
				INCL. IN 853032
25	948995	X	Housing	2-WAY.
26	846615	X	Sealing ring	
27	846612	X	Housing	16-WAY
28	846613	X	Unloading cable	
29	846647	X	Block	16-WAY
30	846613	X	Unloading cable	
31	1608765	X	Insulator	FOR 965824
32	1608766	X	Seal	FOR 1608765
33	1598753	X	Insulator	FOR 949371
34	1307048	X	Housing	
35	1307049	X	Housing	
36	846611	X	Housing	
37	853498		Receptacle housing, INSULATOR	3-POL
				INCL. IN 853032

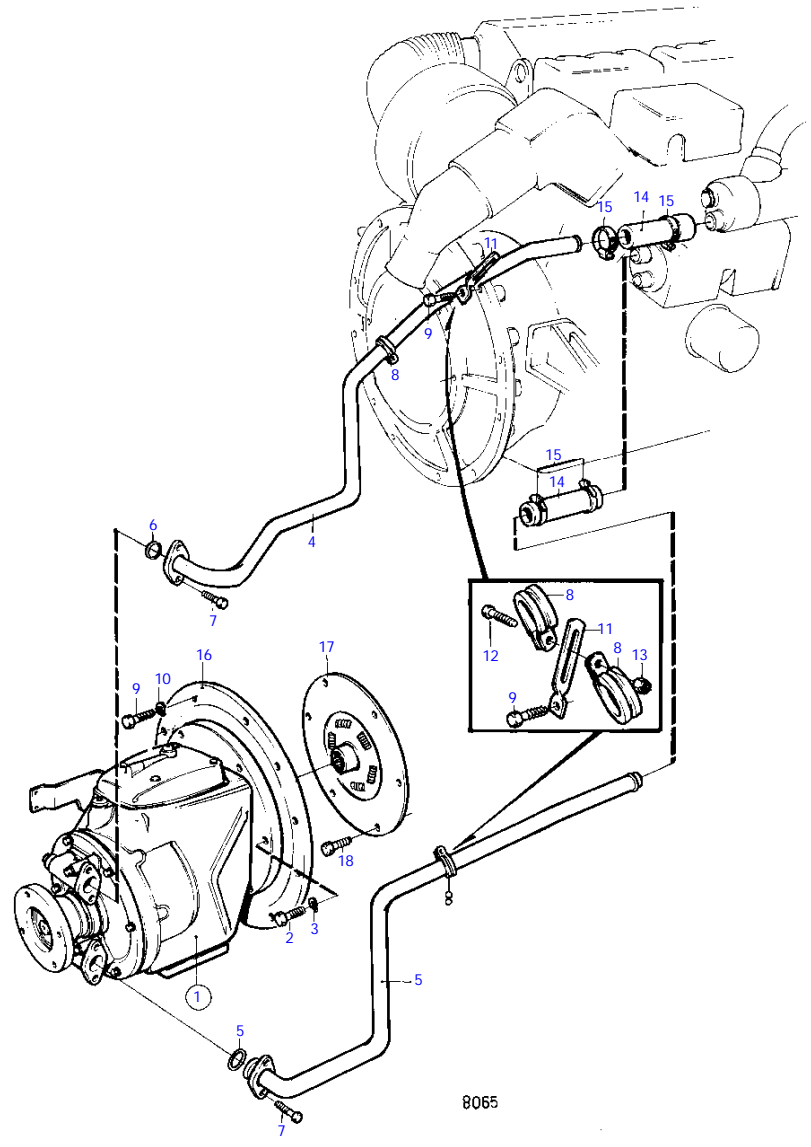
MD31A



MD31A

REF	PART NO.	QTY	DESCRIPTION	NOTES
1	852730	1	Reversing gear	
			* COMPONENTS	SEE GROUP 4B
2	925260	1	O-ring	
3	946752	6	Flange screw	
4	941908	6	Spring washer	
5	846082	1	Coolant pipe	
6	846083	1	Coolant pipe	
7	418445	2	Sealing ring	
8	965175	4	Flange screw	
9	941906	4	Spring washer	
10	952969	X	Hose	L = 2X55 MM
11	943473	4	Hose clamp	
12	952629	2	Clamp	
13	965175	1	Flange screw	
14	955892	1	Washer	
15	945407	1	Flange nut	
16	846761	1	Flywheel housing	SEE GROUP 2A
17	858297	1	Coolant pipe	SEE GROUP 2B
18	1258633	2	Clamp	

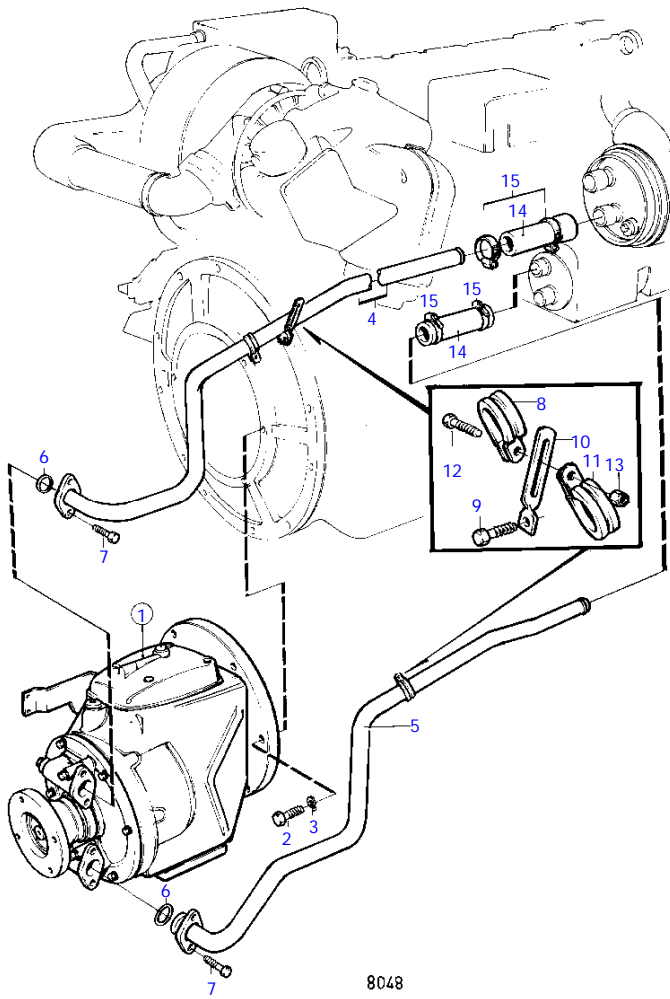
MD31A



MD31A

REF	PART NO.	QTY	DESCRIPTION	NOTES
1	853398	1	Reversing gear	
			* COMPONENTS	SEE GROUP 4B
	853399	1	Reversing gear	
			* COMPONENTS	SEE GROUP 4B
2	946752	6	Flange screw	
3	941908	6	Spring washer	
4	860328	1	Coolant pipe	REVERSE GEAR-HEAT EXCHANGER., (858511)
5	860327	1	Coolant pipe	OIL COOLER-REVERSE GEAR., (858397)
6	842913	2	Sealing ring	
7	946544	4	Flange screw	
8	952635	2	Clamp	
9	946752	11	Flange screw	
10	941908	11	Spring washer	
11	858587	1	Bracket	
12	947542	1	Flange screw	
13	945407	1	Flange nut	
14	944386	2	Rubber hose	
15	943475	4	Hose clamp	
16	829489	1	Cardboard tube	
17	855389	1	Absorber	
18	946173	6	Flange screw	

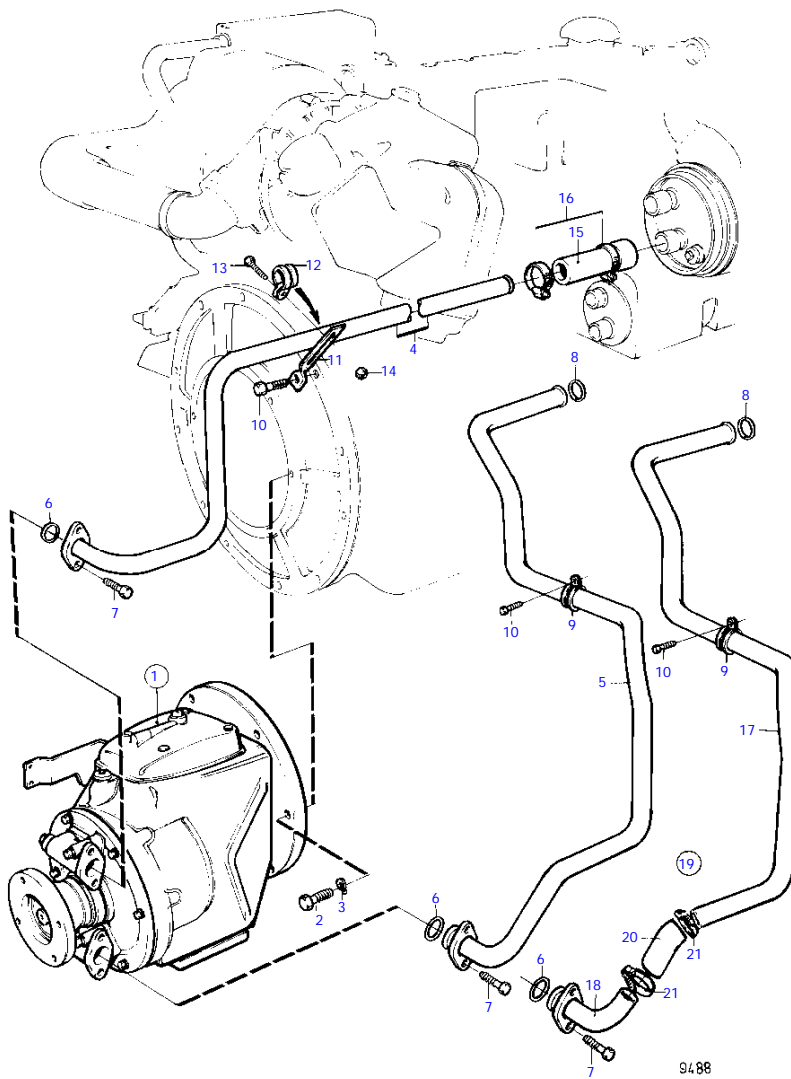
TMD31A, TMD31B



TMD31A, TMD31B

REF	PART NO.	QTY	DESCRIPTION	NOTES
1	853398	1	Reversing gear	
			* COMPONENTS	SEE GROUP 4B
	853399	1	Reversing gear	RATIO 2,63:1
			* COMPONENTS	SEE GROUP 4B
	854902	1	Transmission	RATIO 1,93:1
			* COMPONENTS	SEE GROUP 4B
	854903	1	Reversing gear	RATIO 2,63:1
			* COMPONENTS	SEE GROUP 4B
2	946752	6	Flange screw	
3	941908	6	Spring washer	
4	860278	1	Coolant pipe	REVERSE GEAR-HEAT EXCHANGER., (838818)
5	860327	1	Coolant pipe	OIL COOLER-REVERSE GEAR., (858397)
6	842913	2	Sealing ring	
7	946544	4	Flange screw	
8	952635	1	Clamp	
9		1	SCREW	SEE GROUP 2A
10	858587	1	Bracket	
11	952635	1	Clamp	
12	947542	1	Flange screw	
13	945407	1	Flange nut	
14	944386	2	Rubber hose	
15	943475	4	Hose clamp	

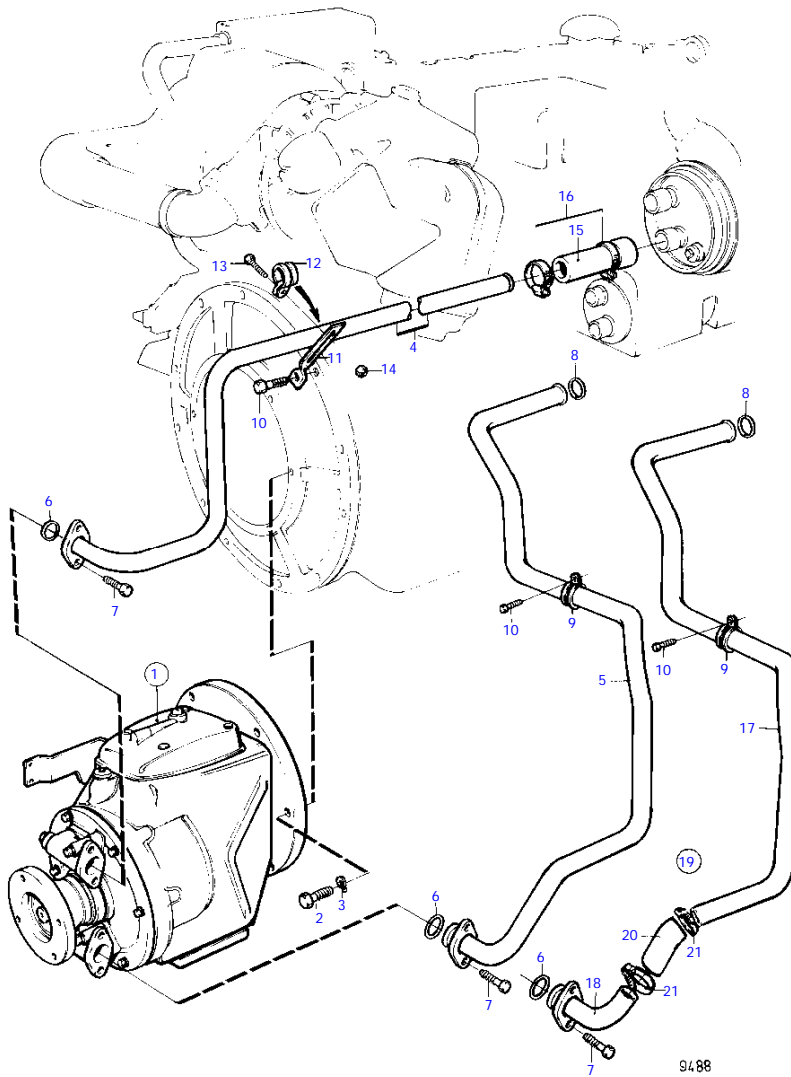
TAMD31A



TAMD31A

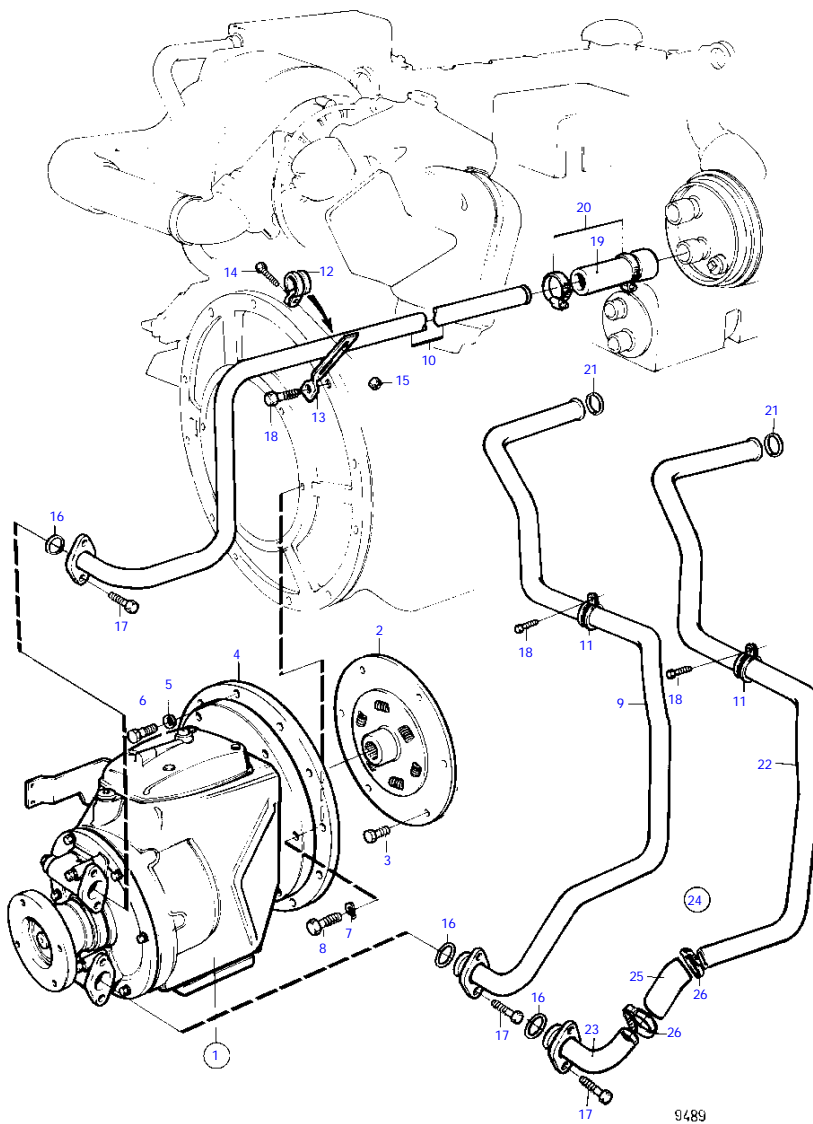
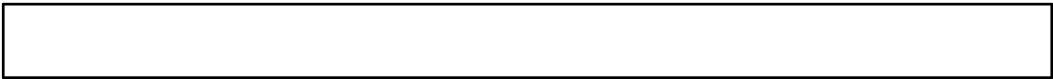
REF	PART NO.	QTY	DESCRIPTION	NOTES
1	853398	1	Reversing gear	RATIO1,93:1
			* COMPONENTS	SEE GROUP 4B
	853399	1	Reversing gear	RATIO2,63:1
			* COMPONENTS	SEE GROUP 4B
	854902	1	Transmission	RATIO 1,93:1
			* COMPONENTS	SEE GROUP 4B
	854903	1	Reversing gear	RATIO 2,63:1
			* COMPONENTS	SEE GROUP 4B
2	946752	6	Flange screw	
3	941908	6	Spring washer	
4	860278	1	Coolant pipe	REVERSE GEAR-HEAT EXCHANGER., (838818)
5	838816	1	Coolant pipe	AFTER COOLER-REVERSE GEAR., REPLACED BY PIPE 860279, PIPE 860280 AND INSTALLATION KIT 859588.
6	842913	2	Sealing ring	
7	946544	4	Flange screw	
8	858986	1	Sealing ring	(842744)
9	947827	1	Clamp	
10		2	SCREW	SEE GROUP 2A
11	858587	1	Bracket	
12	952635	1	Clamp	
13	947542	1	Flange screw	
14	945407	1	Flange nut	
15	944386	1	Rubber hose	
16	943475	2	Hose clamp	
17	860279	1	Coolant pipe	AFTER COOLER-REVERSE GEAR., (859585)
18	860280	1	Coolant pipe	(859586)
19	859588	1	Mounting kit	
20	944386	1	* Rubber hose	L = 80 MM
21	943475	2	* Hose clamp	

TAMD31B



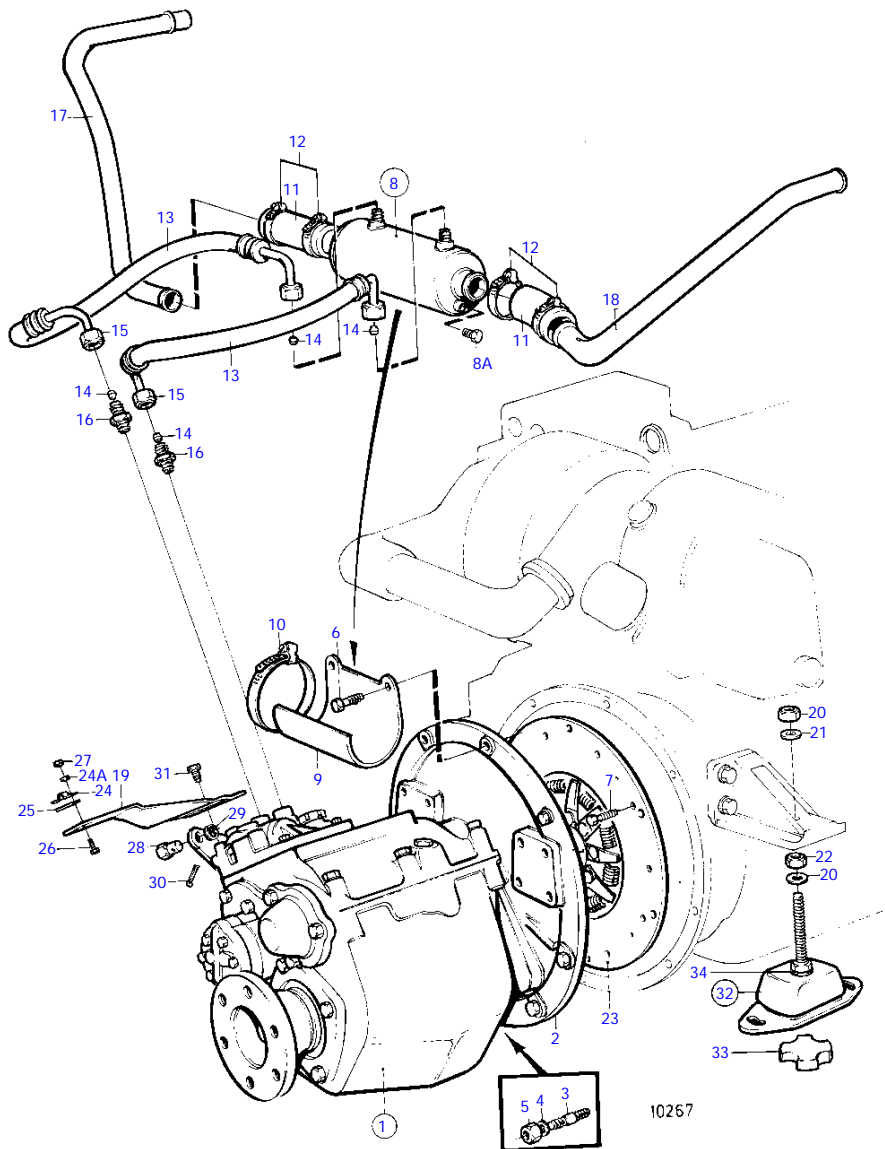
TAMD31B

REF	PART NO.	QTY	DESCRIPTION	NOTES
1	853398	1	Reversing gear	RATIO1,93:1
	853399	1	Reversing gear	RATIO2,63:1
	854902	1	Transmission	RATIO 1,93:1
	854903	1	Reversing gear	RATIO 2,63:1
2	946752	6	Flange screw	
3	941908	6	Spring washer	
4	860278	1	Coolant pipe	REVERSE GEAR-HEAT EXCHANGER., (838818)
6	842913	2	Sealing ring	
7	946544	4	Flange screw	
8	858986	1	Sealing ring	(842744)
9	947827	1	Clamp	
10		2	SCREW	SEE GROUP 2A
11	858587	1	Bracket	
12	952635	1	Clamp	
13	947542	1	Flange screw	
14	945407	1	Flange nut	
15	944386	1	Rubber hose	
16	943475	2	Hose clamp	
17	860279	1	Coolant pipe	AFTER COOLER-REVERSE GEAR., (859585)
18	860280	1	Coolant pipe	(859586)
19	859588	1	Mounting kit	
20	944386	1	* Rubber hose	L = 80 MM
21	943475	2	* Hose clamp	



REF	PART NO.	QTY	DESCRIPTION	NOTES
1	853398	1	Reversing gear	
			* COMPONENTS	SEE GROUP 4B
	853399	1	Reversing gear	
			* COMPONENTS	SEE GROUP 4B
	854902	1	Transmission	RATIO 1,93:1
			* COMPONENTS	SEE GROUP 4B
	854903	1	Reversing gear	RATIO 2,63:1
			* COMPONENTS	SEE GROUP 4B
2	855389	1	Absorber	
3	946173	6	Flange screw	
4	829489	1	Cardboard tube	
5	941908	11	Spring washer	
6	946752	11	Flange screw	
7	941908	6	Spring washer	
8	946752	6	Flange screw	
9	838816	1	Coolant pipe	AFTER COOLER-REVERSE GEAR., REPLACED BY PIPE 860279, PIPE 860280 AND INSTALLATION KIT 859588.
10	860278	1	Coolant pipe	REVERSE GEAR-HEAT EXCHANGER., (838818)
11	947827	1	Clamp	
12	952635	1	Clamp	
13	858587	1	Bracket	
14	947542	1	Flange screw	
15	945407	1	Flange nut	
16	842913	2	Sealing ring	
17	946544	4	Flange screw	
18		2	SCREW	SEE GROUP 2A
19	944386	1	Rubber hose	SEE GROUP 2B
20	943475	2	Hose clamp	SEE GROUP 2B
21	858986	1	Sealing ring	SEE GROUP 2B
22	860279	1	Coolant pipe	AFTER COOLER-REVERSE GEAR., (859585)
23	860280	1	Coolant pipe	(859586)
24	859588	1	Mounting kit	
25	944386	1	* Rubber hose	L = 80 MM
26	943475	2	* Hose clamp	

TAMD31A

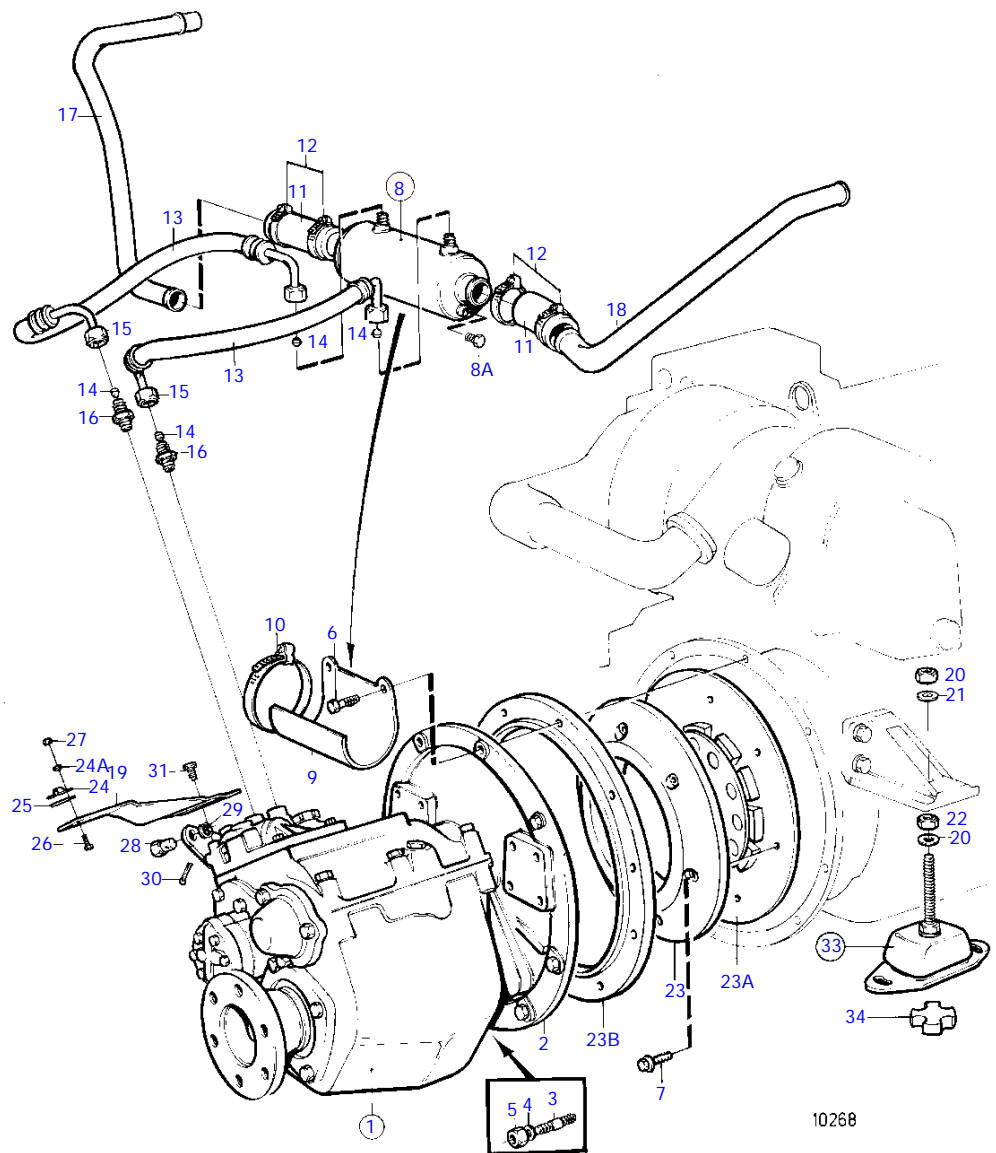


TAMD31A

REF	PART NO.	QTY	DESCRIPTION	SEE SEC.	NOTES
1		1	PRM301		RATIO 2:1,3:1
		1	PRM302		RATIO 2:1,3:1
		1	PRM401		RATIO 2:1,3:1,4:1
		1	PRM402		RATIO 2:1,3:1,4:1
2		1	COVER		PRM
3	924075	3	Stud		
4	960148	3	Washer		
5	955783	3	Hexagon nut		
6	946472	8	Flange screw		
7	946173	6	Flange screw		
8	855756	1	Oil cooler		(841172)
8A	180759	1	* Plug		
9	858618	1	Bracket		
10	961674	2	Hose clamp		
11	949315	2	Rubber hose		L = 60 MM
12	961669	4	Hose clamp		
13	841171	2	Hose assembly		
14	956970	4	Ferrule		
15	956984	4	Fitting nut		
16	941750	2	Nipple		
17	859193	1	Coolant pipe		OBSOLETE PART
18	858616	1	Coolant pipe		
19	858366	1	Bracket		
20	955805	4	Hexagon nut		
21	941912	2	Spring washer		
22	191940	2	Washer		
23	858941	1	Absorber		
24	21471054	1	Bracket		
24A	940090	2	Washer		
25	819068	1	Washer		
26	955246	2	Hexagon screw		
27	946577	2	Lock nut		
28	833133	1	Cube		
29	955892	2	Washer		
30	17276	1	Split pin		
31		2	SCREW		
32	858160	2	Rubber cushion		
			Bulletin 44-26	44-26-EN	Reinforced Rubber Cushion
33	843299	2	* Rubber disc		
34	955900	2	* Washer		

44 CONNECTING COMPONENTS, LATER PROD REVERSE GEAR PRM301, 302, 401, 402

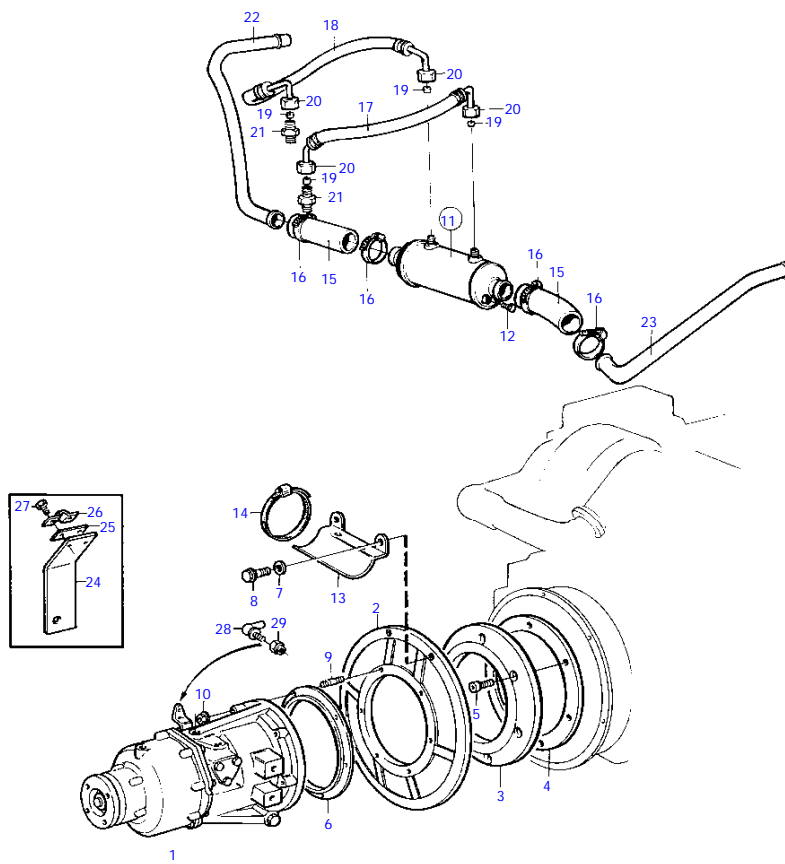
TAMD31A



TAMD31A

REF	PART NO.	QTY	DESCRIPTION	SEE SEC.	NOTES
1		1	PRM301		RATIO2:1,3:1
		1	PRM302		RATIO2:1,3:1
		1	PRM401		RATIO2:1,3:1,4:1
		1	PRM402		RATIO2:1,3:1,4:1
2		1	COVER		PRM
3	924083	5	Stud		
4	960148	5	Washer		
5	971071	5	Hexagon nut		
6	965186	8	Flange screw		
7	941761	6	Hex. socket screw		
8	855756	1	Oil cooler		(841172)
8A	180759	1	* Plug		
9	858618	1	Bracket		
10	961674	2	Hose clamp		
11	949315	2	Rubber hose		L = 60 MM
12	961669	4	Hose clamp		
13	841171	2	Hose assembly		
14	956970	4	Ferrule		
15	956984	4	Fitting nut		
16	941750	2	Nipple		
17	859193	1	Coolant pipe		OBSOLETE PART
18	858616	1	Coolant pipe		
19	858366	1	Bracket		
20	955805	4	Hexagon nut		
21	941912	2	Spring washer		
22	191940	2	Washer		
23	859957	1	Ring gear		
23A	854506	1	Vibration damper		
23B	854492	1	Spacer ring		
24	21471054	1	Bracket		
24A	940090	2	Washer		
25	819068	1	Washer		
26	955246	2	Hexagon screw		
27	946577	2	Lock nut		
28	833133	1	Cube		
29	955892	2	Washer		
30	17276	1	Split pin		
31		2	SCREW		
32			*		
33	858160	2	Rubber cushion		
			* Bulletin 44-26	44-26-EN	Reinforced Rubber Cushion
34	843299	2	* Rubber disc		

TAMD31A

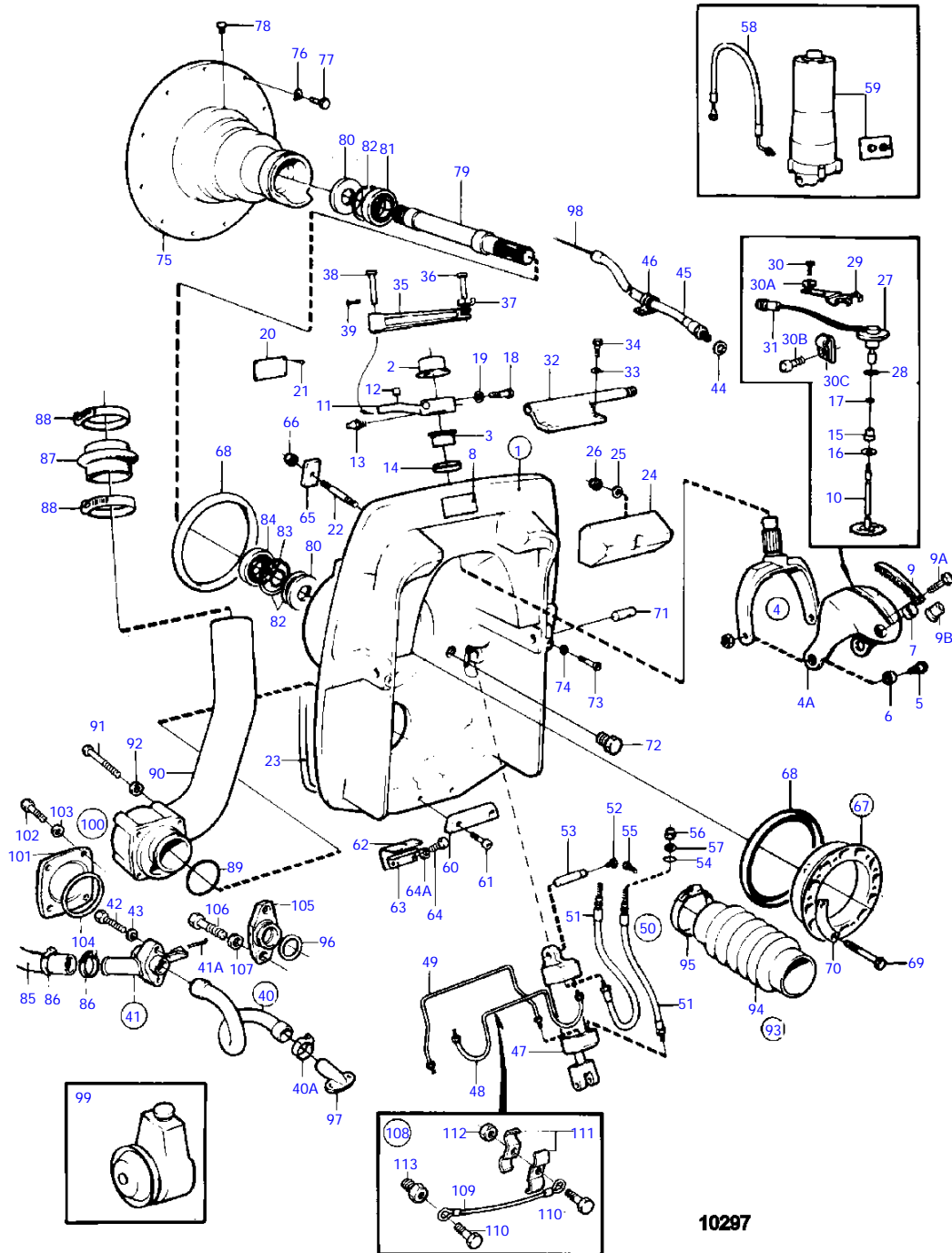


9467

TAMD31A

REF	PART NO.	QTY	DESCRIPTION	NOTES
1		1	BW71	RATIO2,1:1
2	829489	1	Cardboard tube	
3	854321	1	Absorber	
4	859957	1	Ring gear	
5	941761	6	Hex. socket screw	
6	859566	1	Spacer ring	
7	941908	11	Spring washer	
8	946752	11	Flange screw	
9	953084	6	Stud	
10	971095	6	Flange nut	
11	855756	1	Oil cooler	
12	180759	1	* Plug	
13	859592	1	Bracket	
14	961674	2	Hose clamp	
15	949315	2	Rubber hose	L = 60 MM
16	961669	4	Hose clamp	
17	841171	1	Hose assembly	L = 400 MM
18	829260	1	Hose	L = 500 MM, OBSOLETE PART
19	956970	4	Ferrule	
20	956984	4	Fitting nut	
21	941750	2	Nipple	
22	859590	1	Coolant pipe	
23	858616	1	Coolant pipe	
24	844359	1	Bracket	
25	819068	1	Washer	
26	21471054	1	Bracket	
27	950021	2	Cross recessed screw	
28	813042	1	Ball joint	
29	951674	2	Lock nut	

AQAD31A, AD31A



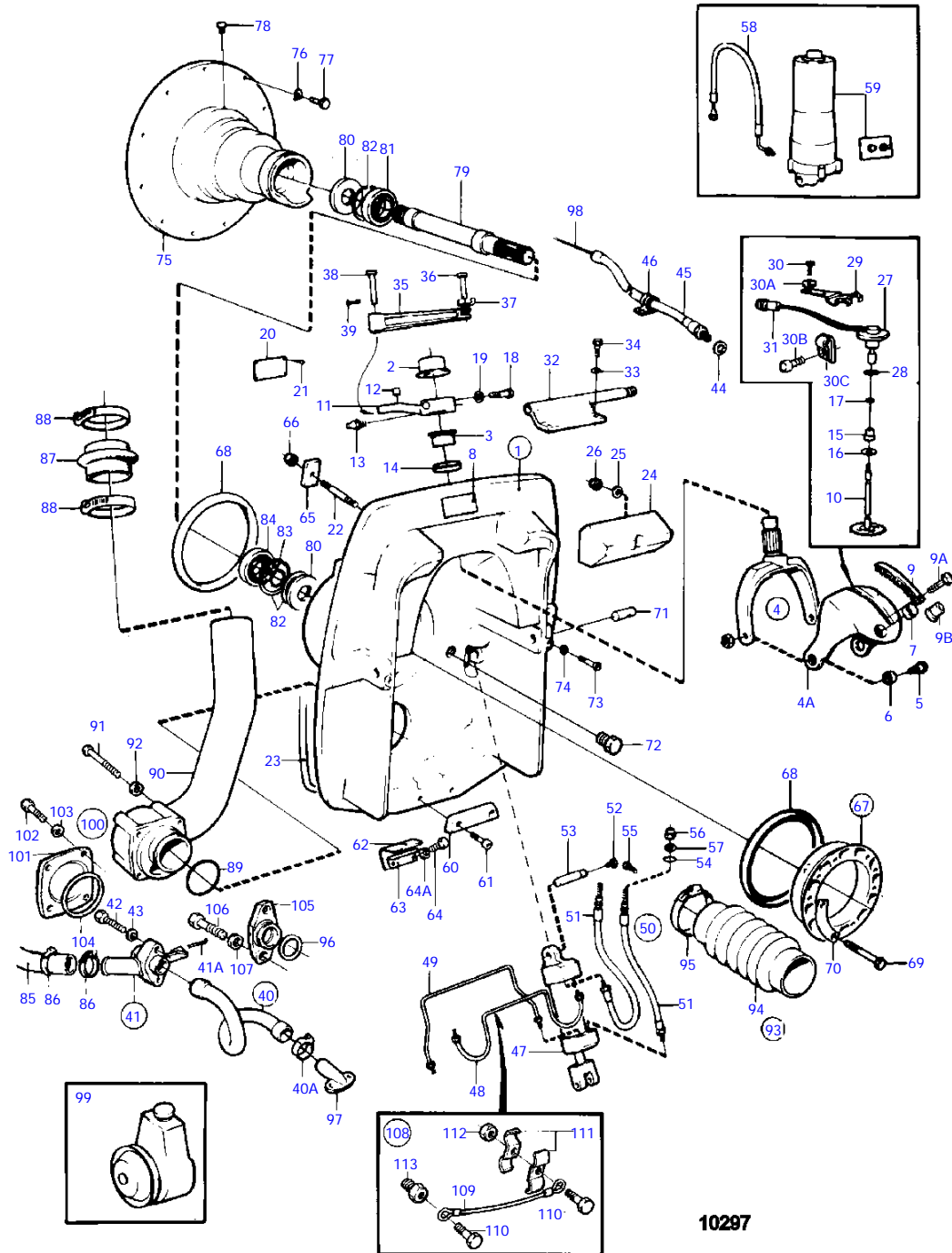
AQAD31A, AD31A

REF	PART NO.	QTY	DESCRIPTION	SEE SEC.	NOTES
1	875845	1	Transom shield		WHITE, REPL BY 876150
2	853864	1	* Bushing		
3	853863	1	* Bushing		
4	852950	1	* Steering yoke		WHITE, REPL BY 854066
	854066	1	* Steering yoke		gray
4A		1	* * PROTECTION CAP		
5		2	* * SHOUTER SCREW		
6		2	* * BUSHING		
7	853048	1	* * Bushing		
8	852827	1	* Sign		
9	851434	1	* Gear segment		REPLACED BY QUADRANT 854063, SCREW 853759 AND NUT 853760
	854063	1	* Gear segment		
9A	853759	1	* Screw		
9B	853760	1	* Rivet nut		
10	852984	1	* Driving wheel		
11	853017	1	* Spindle arm		
12	949368	1	* * Bushing		
13	914169	1	* Lubricating nipple		
14	839195	1	* Ring		
			Bulletin 48-23	48-23-EN	Seal Ring
15	851430	1	* Bushing		
16	966207	1	* Sealing ring		
17	925050	1	* O-ring		
18	959241	1	* Hex. socket screw		
19	942336	1	* Spring washer		
20	853706	1	* Type plate		
21	804269	2	* Drive screw		
22	853982	6	* Stud		(853043)
23	852868	1	Sealing strip		
24	854133	1	Rubber cushion		(852772)
25	960148	2	Washer		
26	971089	2	Lock nut		(963107)
27	828726	1	Sensor		
28	955991	1	O-ring		
29	853039	1	Bracket		
30	940199	1	Hexagon screw		
30A	941907	1	Spring washer		
30B	958247	1	Cross recessed screw		OBSOLETE PART
30C	952628	1	Clamp		
31		X	CABLES AND TERMINALS		SEE GROUP 3
32	852775	1	Cable attachment		
33	942336	2	Spring washer		
34	959241	2	Hex. socket screw		
35	852786	1	Link rod		
36	913158	1	Clevis pin		
37	853160	1	Lock washer		
38	852788	1	Bolt		OBSOLETE PART
39	907861	1	Split pin		
40	875847	1	Hose kit		
40A	853548	2	* Hose clamp		(961668)
41	853517	1	Tap		
41A	967707	1	* Split pin		
42	955515	2	Hexagon screw		
43	941906	2	Spring washer		
44	897745	1	Gasket		
45	839091	1	Protecting hose		
46	952635	1	Clamp		
47	853439	2	Hydraulic cylinder		REPL BY 854610
	854610	2	Hydraulic cylinder		
48	852830	1	Tube		
49	852832	1	Tube		
50	854752	1	Set		
51	853708	2	* Hose		
52	852879	2	Plug		
53	852748	2	Pin		
54	925053	4	O-ring		
55	853060	2	Flange screw		
56	853100	2	Lock nut		
57	853059	2	Washer		
58	852839	2	Hose	19255	
59		1	HYDRAULIC PUMP AND TRIM INSTRUMENT WITH INSTALLATION COMPONENTS	19255	
60	852835	1	Zinc electrode		
61	946541	2	Hex. socket screw		
62	852877	1	Check valve		
63	852878	1	Attaching plate		
64	963545	2	Hexagon screw		
64A	941670	2	Washer		
65	852866	6	Washer		
66	963108	6	Lock nut		
67	843626	1	Mounting kit		WHITE, REPL BY 854317
	854317	1	Clamping ring kit		gray
68	813967	2	* Rubber ring		
69	191844	6	* Hexagon screw		
70	806624	3	* Striker plate		
71	853175	2	Pivot pin		(897831)
72	853215	1	Plug		
73	963699	2	Hex. socket screw		
74	941670	2	Washer		

AQAD31A, AD31A

REF	PART NO.	QTY	DESCRIPTION	SEE SEC.	NOTES
75	844519	1	Flywheel housing		SEE GROUP 2A
76	941908	11	Spring washer		
77	946752	11	Flange screw		
78	804262	1	Plug		
79	853809	1	Spindle		
80	958860	2	Sealing ring		
81	11013	1	Ball bearing		
82	914533	3	Snap ring		
83	914462	1	Snap ring		
84	181105	1	Ball bearing		
85	858517	1	Hose		
86	961670	2	Hose clamp		
87	858955	1	Exhaust hose, EXHAUST HOSE		(858729) SEE GROUP 2B
88	943483	2	Hose clamp		SEE GROUP 2B
89	925260	1	O-ring		
90	853718	1	Exhaust grommet		
91	955328	4	Hexagon screw		
92	960148	4	Washer		
93	875848	1	Bellows kit		
94		1	* BELLOW		
95	961675	1	* Hose clamp		
96	925066	1	O-ring		
97	851766	1	Hose connection		WHITE, REPL BY 854031
	854031	1	Hose connection		gray
98		X	CONTROL CABLE		SEE GROUP 9
99		X	POWER STEERING		SEE GROUP 6
		X	ROTO PILOT		SEE GROUP 6
100	1140003	1	Cover plate		ALT, OBSOLETE PART
101	854584	1	* Seal flange		(838934), OBSOLETE PART
102	955315	4	* Hexagon screw		
103	941908	4	* Spring washer		
104	925260	1	* O-ring		
105	858061	1	Seal flange		ALT
106	955515	2	Hexagon screw		
107	941906	2	Spring washer		
108	854625	1	Set		
109	854627	1	* Ground cable		
110	963545	2	* Hexagon screw		
111	854628	2	* Clamp		
112	944456	1	* Hexagon nut		
113	872207	1	* Nipple		

AQAD31A, AD31A



10297

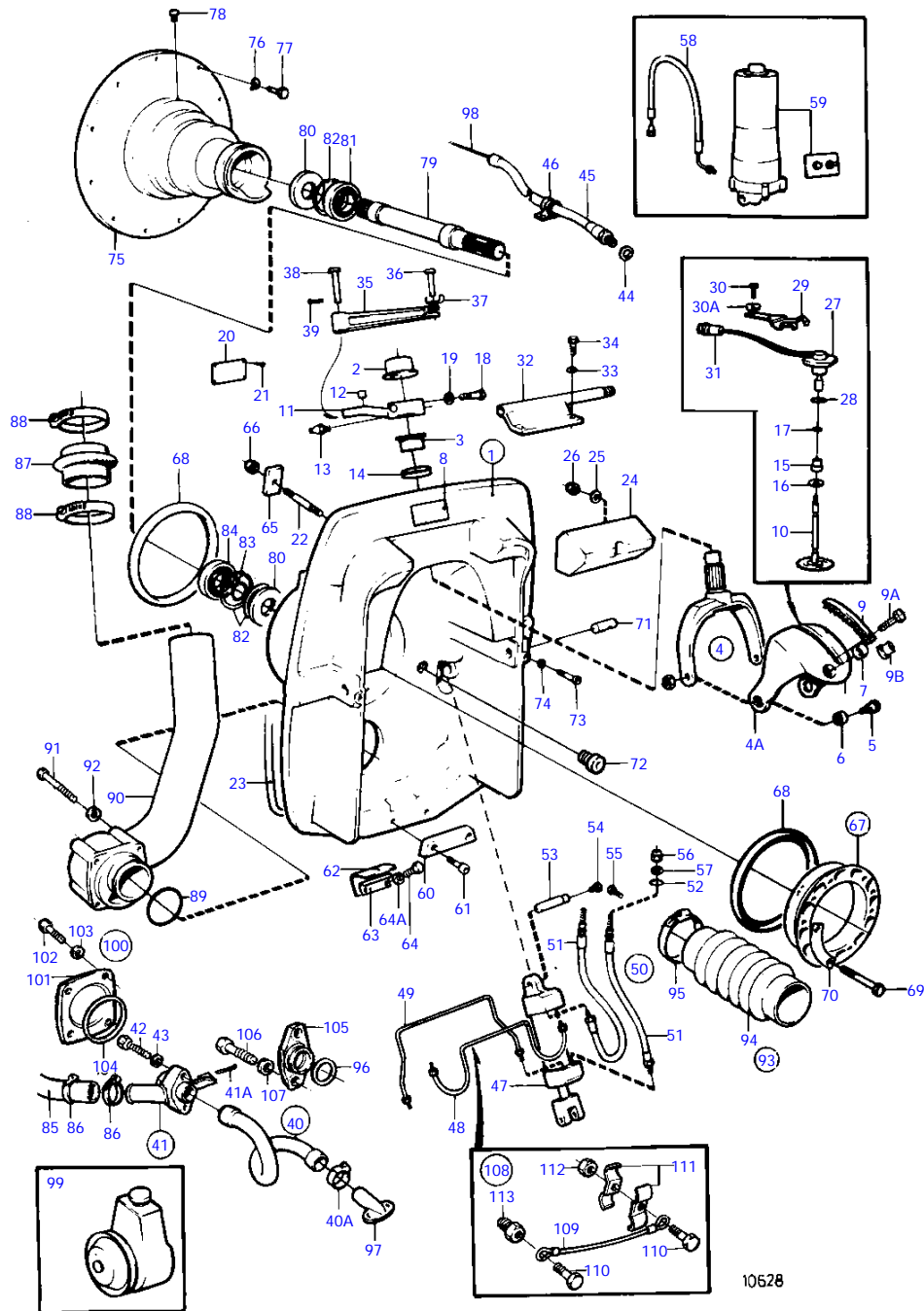
AQAD31A, AD31A

REF	PART NO.	QTY	DESCRIPTION	SEE SEC.	NOTES
1	876150	1	Transom shield		gray
2	853864	1	* Bushing		
3	853863	1	* Bushing		
4	854066	1	* Steering yoke		gray
4A		1	* * PROTECTION CAP		
5		2	* * SHOUTER SCREW		
6		2	* * BUSHING		
7	853048	1	* * Bushing		
8	852827	1	* Sign		
9	854063	1	* Gear segment		
9A	853759	1	* Screw		
9B	853760	1	* Rivet nut		
10	852984	1	* Driving wheel		
11	853017	1	* Spindle arm		
12	949368	1	* * Bushing		
13	914169	1	* Lubricating nipple		
14	839195	1	* Ring		
			Bulletin 48-23	48-23-EN	Seal Ring
15	851430	1	* Bushing		
16	966207	1	* Sealing ring		
17	925050	1	* O-ring		
18	959241	1	* Hex. socket screw		
19	942336	1	* Spring washer		
20	853706	1	* Type plate		
21	804269	2	* Drive screw		
22	853982	6	* Stud		(853043)
23	852868	1	Sealing strip		
24	854133	1	Rubber cushion		(852772)
25	960148	2	Washer		
26	971089	2	Lock nut		(963107)
27	828726	1	Sensor		
28	955991	1	O-ring		
29	853039	1	Bracket		
30	940199	1	Hexagon screw		
30A	941907	1	Spring washer		
30B	958247	1	Cross recessed screw		OBSOLETE PART
30C	952628	1	Clamp		
31		X	CABLES AND TERMINALS		SEE GROUP 3
32	852775	1	Cable attachment		
33	942336	2	Spring washer		
34	959241	2	Hex. socket screw		
35	852786	1	Link rod		
36	913158	1	Clevis pin		
37	853160	1	Lock washer		
38	852788	1	Bolt		OBSOLETE PART
39	907861	1	Split pin		
40	875847	1	Hose kit		
40A	853548	2	* Hose clamp		(961668)
41	853517	1	Tap		
41A	967707	1	* Split pin		
42	955515	2	Hexagon screw		
43	941906	2	Spring washer		
44	897745	1	Gasket		
45	839091	1	Protecting hose		
46	952635	1	Clamp		
47	853439	2	Hydraulic cylinder		REPL BY 854610
	854610	2	Hydraulic cylinder		
48	852830	1	Tube		
49	852832	1	Tube		
50	854752	1	Set		
51	853708	2	* Hose		
52	852879	2	Plug		
53	852748	2	Pin		
54	925053	4	O-ring		
55	853060	2	Flange screw		
56	853100	2	Lock nut		
57	853059	2	Washer		
58	852839	2	Hose	19255	
59		1	HYDRAULIC PUMP AND TRIM INSTRUMENT WITH INSTALLATION COMPONENTS	19255	
60	852835	1	Zinc electrode		
61	946541	2	Hex. socket screw		
62	852877	1	Check valve		
63	852878	1	Attaching plate		
64	963545	2	Hexagon screw		
64A	941670	2	Washer		
65	852866	6	Washer		
66	963108	6	Lock nut		
67	854317	1	Clamping ring kit		gray
68	813967	2	* Rubber ring		
69	191844	6	* Hexagon screw		
70	806624	3	* Striker plate		
71	853175	2	Pivot pin		(897831)
72	853215	1	Plug		
73	963699	2	Hex. socket screw		
74	941670	2	Washer		
75	844519	1	Flywheel housing		SEE GROUP 2A
76	941908	11	Spring washer		
77	946752	11	Flange screw		

AQAD31A, AD31A

REF	PART NO.	QTY	DESCRIPTION	SEE SEC.	NOTES
78	804262	1	Plug		
79	853809	1	Spindle		
80	958860	2	Sealing ring		
81	11013	1	Ball bearing		
82	914533	3	Snap ring		
83	914462	1	Snap ring		
84	181105	1	Ball bearing		
85	858517	1	Hose		
86	961670	2	Hose clamp		
87	858955	1	Exhaust hose, EXHAUST HOSE		(858729)
88	943483	2	Hose clamp		SEE GROUP 2B
89	925260	1	O-ring		
90	853718	1	Exhaust grommet		
91	955328	4	Hexagon screw		
92	960148	4	Washer		
93	875848	1	Bellows kit		
94		1	* BELLOW		
95	961675	1	* Hose clamp		
96	925066	1	O-ring		
97	854031	1	Hose connection		gray
98		X	CONTROL CABLE		SEE GROUP 9
99		X	POWER STEERING		SEE GROUP 6
		X	ROTO PILOT		SEE GROUP 6
100	1140003	1	Cover plate		ALT, OBSOLETE PART
101	854584	1	* Seal flange		(838934), OBSOLETE PART
102	955315	4	* Hexagon screw		
103	941908	4	* Spring washer		
104	925260	1	* O-ring		
105	858061	1	Seal flange		ALT
106	955515	2	Hexagon screw		
107	941906	2	Spring washer		
108	854625	1	Set		
109	854627	1	* Ground cable		
110	963545	2	* Hexagon screw		
111	854628	2	* Clamp		
112	944456	1	* Hexagon nut		
113	872207	1	* Nipple		

AD31B



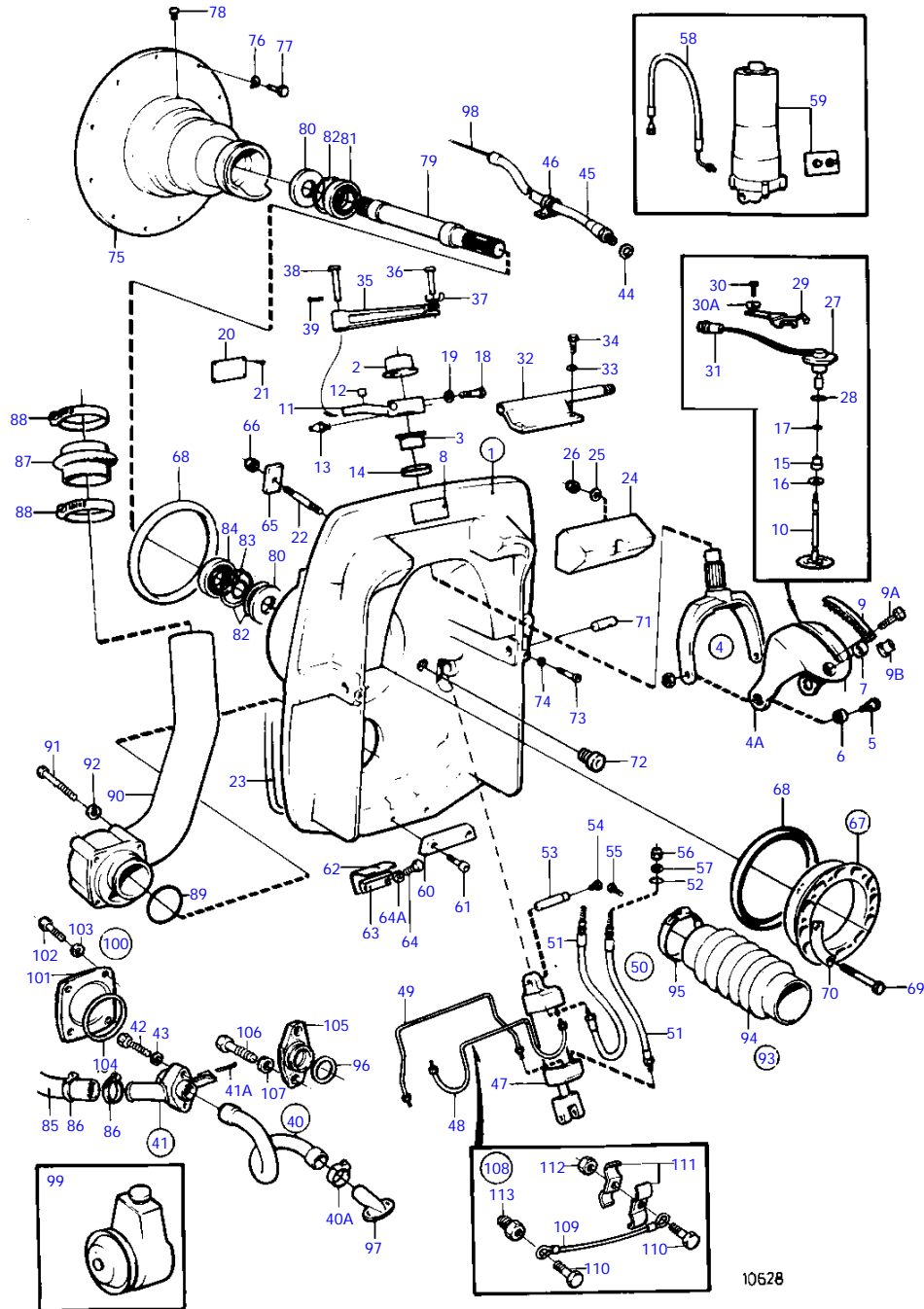
AD31B

REF	PART NO.	QTY	DESCRIPTION	SEE SEC.	NOTES
1	876150	1	Transom shield		
2	853864	1	* Bushing		
3	853863	1	* Bushing		
4	854066	1	* Steering yoke		
4A		1	* * PROTECTION CAP		
5		2	* * SHOULDER SCREW		
6		2	* * BUSHING		
7	853048	1	* Bushing		
8	852827	1	* Sign		
9	854063	1	* Gear segment		
9A	853759	1	* Screw		
9B	853760	1	* Rivet nut		
10	852984	1	* Driving wheel		
11	853017	1	* Spindle arm		
12	949368	1	* Bushing		
13	914169	1	* Lubricating nipple		
14	839195	1	* Ring		
			Bulletin 48-23	48-23-EN	Seal Ring
15	851430	1	* Bushing		
16	966207	1	* Sealing ring		
17	925050	1	* O-ring		
18	959241	1	* Hex. socket screw		
19	942336	1	* Spring washer		
20	853706	1	* Type plate		
21	804269	2	* Drive screw		
22	853982	6	* Stud		SN-1101591651
	853595	6	* Stud		NOTE, SN 1101591652-
23	852868	1	Sealing strip		
24	854133	1	Rubber cushion		
25	960148	2	Washer		
26	971089	2	Lock nut		
27	828726	1	Sensor		
28	955991	1	O-ring		
29	853039	1	Bracket		
30	940199	1	Hexagon screw		
30A	941907	1	Spring washer		
31		X	CABLES AND TERMINALS		SEE GROUP 3
32	852775	1	Cable attachment		
33	941908	2	Spring washer		
34	970950	2	Hexagon screw		
35	852786	1	Link rod		
36	913158	1	Clevis pin		
37	853160	1	Lock washer		
38	852788	1	Bolt		OBSOLETE PART
39	907856	1	Split pin		
40	875847	1	Hose kit		
40A	853548	2	* Hose clamp		
41	853517	1	Tap		
41A	967707	1	* Split pin		
42	955515	2	Hexagon screw		
43	941906	2	Spring washer		
44	897745	1	Gasket		
45	839091	1	Protecting hose		
46	952635	1	Clamp		
47	853439	2	Hydraulic cylinder		REPL BY 854610
	854610	2	Hydraulic cylinder		
48	852830	1	Tube		
49	852832	1	Tube		
50	854752	1	Set		SN 1101592794-
51	854710	1	* Hydraulic hose		FRONT
	854711	1	* Hydraulic hose		REAR
52	925053	4	* O-ring		
53	852748	2	Pin		
54	852879	1	Plug		
55	853060	2	Flange screw		
56	853100	2	Lock nut		
57	853059	2	Washer		
58	852839	2	Hose		
59		1	HYDRAULIC PUMP AND TRIM INSTRUMENT WITH INSTALLATION COMPONENTS	19256	
60	852835	1	Zinc electrode		
61	946541	2	Hex. socket screw		
62	852877	1	Check valve		
63	852878	1	Attaching plate		
64	963545	2	Hexagon screw		
64A	941670	2	Washer		
65	852866	6	Washer		
66	963108	6	Lock nut		
67	854317	1	Clamping ring kit		
68	813967	2	* Rubber ring		
69	191844	6	* Hexagon screw		
70	806624	3	* Striker plate		
71	853175	2	Pivot pin		
72	853215	1	Plug		
73	963699	2	Hex. socket screw		
74	941670	2	Washer		
75	844519	1	Flywheel housing		
76	941908	11	Spring washer		EARLY TYPE
	941908	10	Spring washer		LATE TYPE

AD31B

REF	PART NO.	QTY	DESCRIPTION	SEE SEC.	NOTES
77	946752	11	Flange screw		EARLY TYPE
	946752	10	Flange screw		LATE TYPE
78	804262	1	Plug		
79	853809	1	Spindle		
80	958860	2	Sealing ring		
81	11013	1	Ball bearing		
82	914533	3	Snap ring		
83	914462	1	Snap ring		
84	181105	1	Ball bearing		
85	858517	1	Hose		
86	961670	2	Hose clamp		
87	858955	1	Exhaust hose		SEE GROUP 2B
88	943483	2	Hose clamp		SEE GROUP 2B
89	925260	1	O-ring		
90	853718	1	Exhaust grommet		
91	955328	4	Hexagon screw		
92	960148	4	Washer		
93	875848	1	Bellows kit		
94		1	* BELLOW		
95	961675	1	* Hose clamp		
96	925066	1	O-ring		
97	854031	1	Hose connection		SEE GROUP 4C
98		X	CONTROL CABLE		SEE GROUP 9
99		X	POWER STEERING		SEE GROUP 6
100	1140003	1	Cover plate		ALT, OBSOLETE PART
101	854584	1	* Seal flange		(838934), OBSOLETE PART
102	955315	4	* Hexagon screw		
103	941908	4	* Spring washer		
104	925260	1	* O-ring		
105	858061	1	Seal flange		ALT
106	955515	2	Hexagon screw		
107	941906	2	Spring washer		
108	854625	1	Set		
109	854627	1	* Ground cable		
110	963545	2	* Hexagon screw		
111	854628	2	* Clamp		
112	944456	1	* Hexagon nut		
113	872207	1	* Nipple		

AQAD31A, AD31A, AD31B



10628

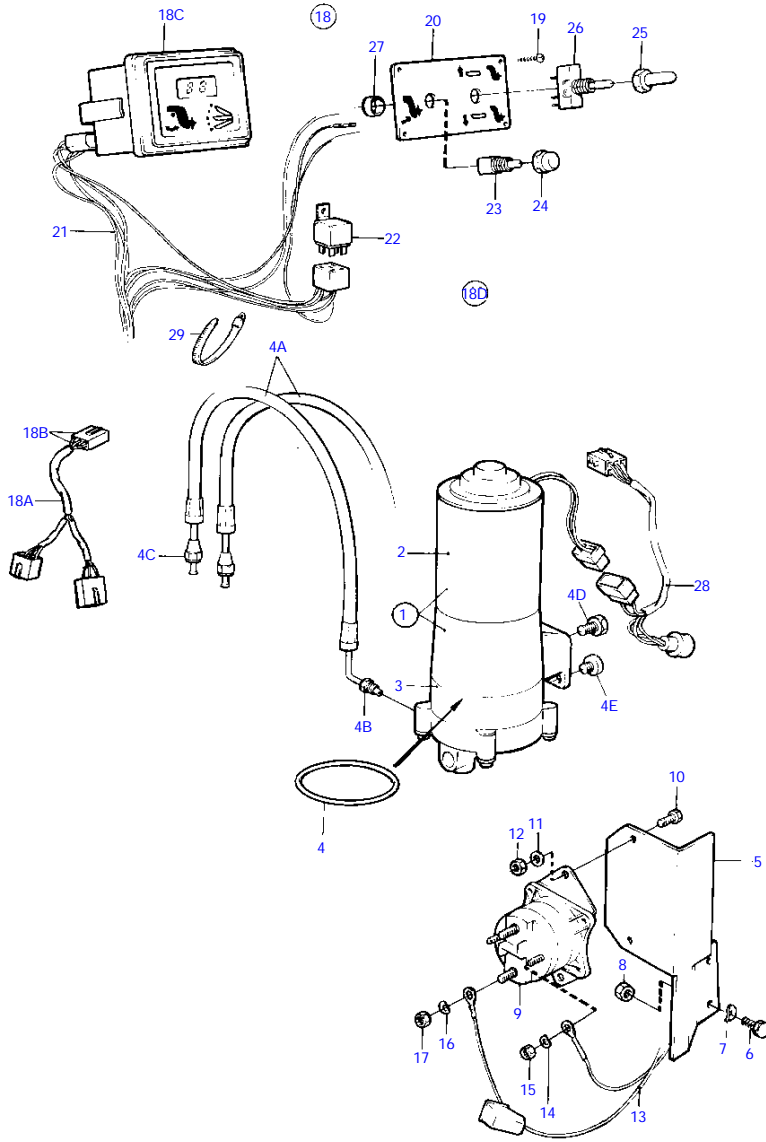
AQAD31A, AD31A, AD31B

REF	PART NO.	QTY	DESCRIPTION	SEE SEC.	NOTES
1	876150	1	Transom shield		
2	853864	1	* Bushing		
3	853863	1	* Bushing		
4	854066	1	* Steering yoke		
4A		1	* PROTECTION CAP		
5		2	* SHOULDER SCREW		
6		2	* BUSHING		
7	853048	1	* Bushing		
8	852827	1	* Sign		
9	854063	1	* Gear segment		
9A	853759	1	* Screw		
9B	853760	1	* Rivet nut		
10	852984	1	* Driving wheel		
11	853017	1	* Spindle arm		
12	949368	1	* Bushing		
13	914169	1	* Lubricating nipple		
14	839195	1	* Ring		
			Bulletin 48-23	48-23-EN	Seal Ring
15	851430	1	* Bushing		
16	966207	1	* Sealing ring		
17	925050	1	* O-ring		
18	959241	1	* Hex. socket screw		
19	942336	1	* Spring washer		
20	853706	1	* Type plate		
21	804269	2	* Drive screw		
22	853982	6	* Stud		SN-1101591651
	853595	6	* Stud		NOTE, SN 1101591652-
23	852868	1	Sealing strip		
24	854133	1	Rubber cushion		
25	960148	2	Washer		
26	971089	2	Lock nut		
27	828726	1	Sensor		
28	955991	1	O-ring		
29	853039	1	Bracket		
30	940199	1	Hexagon screw		
30A	941907	1	Spring washer		
31		X	CABLES AND TERMINALS		SEE GROUP 3
32	852775	1	Cable attachment		
33	941908	2	Spring washer		
34	970950	2	Hexagon screw		
35	852786	1	Link rod		
36	913158	1	Clevis pin		
37	853160	1	Lock washer		
38	852788	1	Bolt		OBSOLETE PART
39	907856	1	Split pin		
40	875847	1	Hose kit		
40A	853548	2	* Hose clamp		
41	853517	1	Tap		
41A	967707	1	* Split pin		
42	955515	2	Hexagon screw		
43	941906	2	Spring washer		
44	897745	1	Gasket		
45	839091	1	Protecting hose		
46	952635	1	Clamp		
47	853439	2	Hydraulic cylinder		REPL BY 854610
	854610	2	Hydraulic cylinder		
48	852830	1	Tube		
49	852832	1	Tube		
50	854752	1	Set		SN 1101592794-
51	854710	1	* Hydraulic hose		FRONT
	854711	1	* Hydraulic hose		REAR
52	925053	4	* O-ring		
53	852748	2	Pin		
54	852879	1	Plug		
55	853060	2	Flange screw		
56	853100	2	Lock nut		
57	853059	2	Washer		
58	852839	2	Hose		
59		1	HYDRAULIC PUMP AND TRIM INSTRUMENT WITH INSTALLATION COMPONENTS	19256	
60	852835	1	Zinc electrode		
61	946541	2	Hex. socket screw		
62	852877	1	Check valve		
63	852878	1	Attaching plate		
64	963545	2	Hexagon screw		
64A	941670	2	Washer		
65	852866	6	Washer		
66	963108	6	Lock nut		
67	854317	1	Clamping ring kit		
68	813967	2	* Rubber ring		
69	191844	6	* Hexagon screw		
70	806624	3	* Striker plate		
71	853175	2	Pivot pin		
72	853215	1	Plug		
73	963699	2	Hex. socket screw		
74	941670	2	Washer		
75	844519	1	Flywheel housing		
76	941908	11	Spring washer		EARLY TYPE
	941908	10	Spring washer		LATE TYPE

AQAD31A, AD31A, AD31B

REF	PART NO.	QTY	DESCRIPTION	SEE SEC.	NOTES
77	946752	11	Flange screw		EARLY TYPE
	946752	10	Flange screw		LATE TYPE
78	804262	1	Plug		
79	853809	1	Spindle		
80	958860	2	Sealing ring		
81	11013	1	Ball bearing		
82	914533	3	Snap ring		
83	914462	1	Snap ring		
84	181105	1	Ball bearing		
85	858517	1	Hose		
86	961670	2	Hose clamp		
87	858955	1	Exhaust hose		SEE GROUP 2B
88	943843	2	Hose clamp		SEE GROUP 2B
89	925260	1	O-ring		
90	853718	1	Exhaust grommet		
91	955328	4	Hexagon screw		
92	960148	4	Washer		
93	875848	1	Bellows kit		
94		1	* BELLOW		
95	961675	1	* Hose clamp		
96	925066	1	O-ring		
97	854031	1	Hose connection		SEE GROUP 4C
98		X	CONTROL CABLE		SEE GROUP 9
99		X	POWER STEERING		SEE GROUP 6
100	1140003	1	Cover plate		ALT, OBSOLETE PART
101	854584	1	* Seal flange		(838934), OBSOLETE PART
102	955315	4	* Hexagon screw		
103	941908	4	* Spring washer		
104	925260	1	* O-ring		
105	858061	1	Seal flange		ALT
106	955515	2	Hexagon screw		
107	941906	2	Spring washer		
108	854625	1	Set		
109	854627	1	* Ground cable		
110	963545	2	* Hexagon screw		
111	854628	2	* Clamp		
112	944456	1	* Hexagon nut		
113	872207	1	* Nipple		

AQAD31A, AD31A



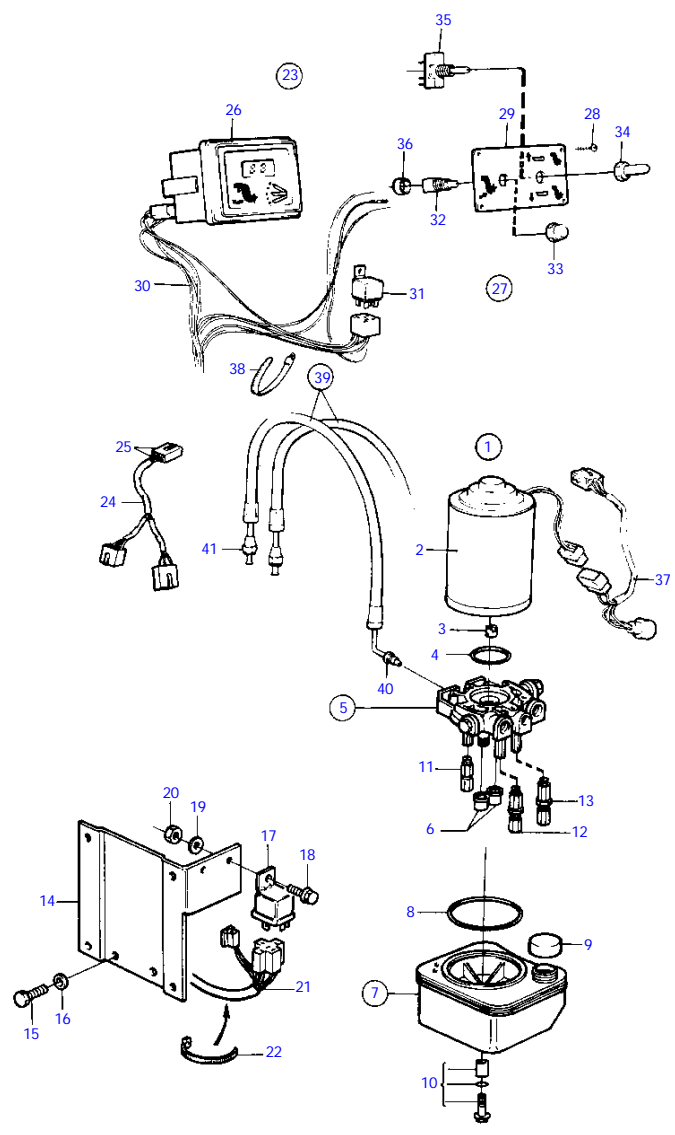
9624

AQAD31A, AD31A

REF	PART NO.	QTY	DESCRIPTION	NOTES
1	852928	1	Hydraulic pump	
				REPL BY 854346
2		1	* MOTOR	
3		1	* PUMP HOUSING	
4	853085	1	Sealing ring	
4A	852839	2	Hose	
4B	87698	2	* Fitting screw	
4C	954320	2	* Fitting nut	
4D	970944	1	Hexagon screw	(940148)
4E	853215	2	Plug	
5	853020	1	Bracket	
6	955296	3	Hexagon screw	
7	941907	3	Spring washer	
8	955782	3	Hexagon nut	
9	852565	2	Relay	
10	956094	2	Cross recessed screw	
11	949607	2	Spring washer	
12	955781	2	Hexagon nut	
13		X	CABLE AND CABLE TERMINALS	SEE GROUP 3
14	941905	4	Spring washer	
15	955844	4	Hexagon nut	
16	941907	4	Spring washer	
17	955834	4	Hexagon nut	
18	853067	1	Instrument panel	OBSOLETE PART
18A		1	* CABLE UNIT	
18B		X	* * CABLES AND TERMINALS	SEE GROUP 3
18C	828731	1	* Trimmer	
18D	853866	1	* Control panel	
19	828647	4	* * Screw	
20	828739	1	* * Control panel	GOLD COLOURED DECOR STRIPE, REPL BY 853866
	853865	1	* * Control panel	WHITE COLOURED DECOR STRIPE
21		X	* * CABLES AND TERMINALS	SEE GROUP 3
22	853545	1	* * Relay kit	
23	828584	1	* * Toggle switch	
24	828586	1	* * Nut	
25	828743	1	* * Nut	
26	828742	1	* * Switch	
27	828740	2	* * Spacer washer	
28	853032	1	Cable trunk	
29	949666	X	Cable tie	

44 HYDRAULIC PUMP, TRIM INSTRUMENT AND INSTALLATION COMPONENTS

AQAD31A, AD31A, AD31B



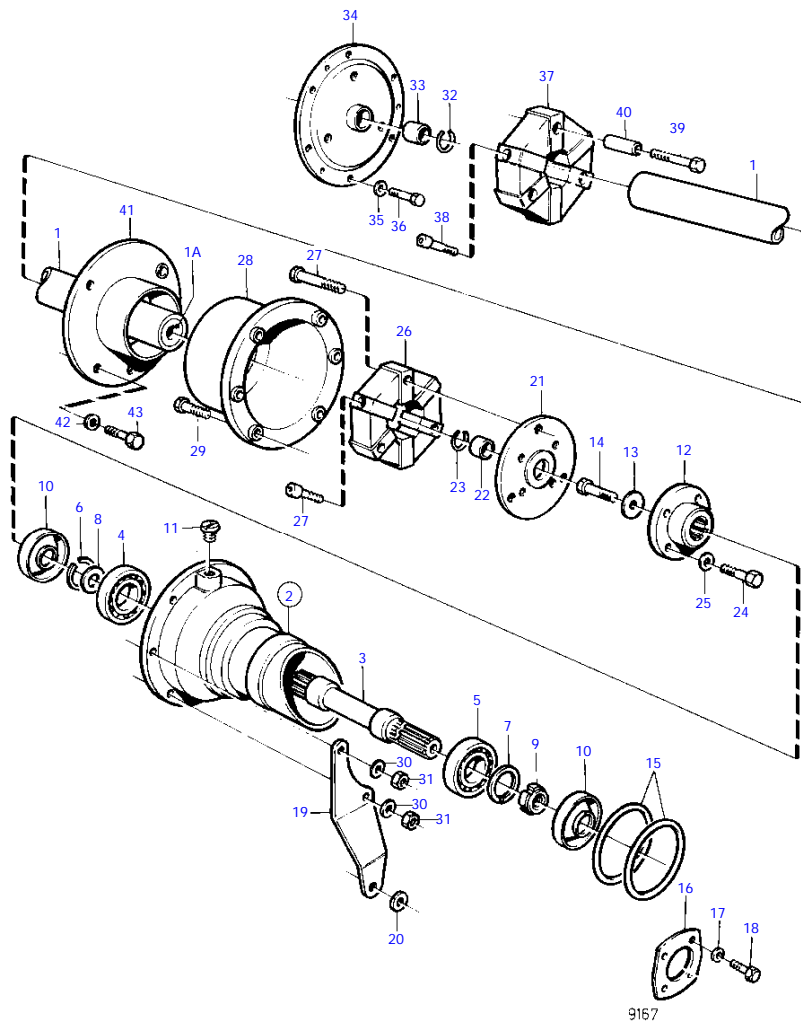
10166



AQAD31A, AD31A, AD31B

REF	PART NO.	QTY	DESCRIPTION	NOTES
1	854346	1	Hydraulic pump	
2	854525	1	* Electrical motor	
3	854526	1	* * Clutch	
4	854527	1	* * O-ring	
5	854528	1	* Valve housing	OBSOLETE PART
6	854530	2	* * Filter	
7	854531	1	* Reservoir	
8	854532	1	* * O-ring	
9	854533	1	* * Cover	
10	854534	1	* * Small parts kit	
11	854535	1	* Hydraulic pump	
12	854536	1	* High pressure unit	
13	854537	1	* Pressure box	
14	854438	1	* Bracket	
15	970945	2	* Hexagon screw	
16	941908	2	* Spring washer	
17	854357	2	* Relay	
18	948663	2	* Flange screw	
19	941905	2	* Spring washer	
20	955780	2	* Hexagon nut	
21		X	* CABLES AND TERMINALS	SEE GROUP 3
22	948210	1	Cable tie	
23	853067	1	Instrument panel	FOR DUAL STATION., OBSOLETE PART
24		1	* CABLE UNIT	
25		X	* * CABLES AND TERMINALS	SEE GROUP 3
26	828731	1	* Trimmer	
27	853866	1	* Control panel	
28	828647	4	* * Screw	
29	828739	1	* * Control panel	GOLD COLOURED DECOR STRIPE, REPL BY 853866
	853865	1	* * Control panel	WHITE COLOURED DECOR STRIPE
30		X	* * CABLES AND TERMINALS	SEE GROUP 3
31	853545	1	* * Relay kit	
32	828584	1	* * Toggle switch	
33	828586	1	* * Nut	
34	828743	1	* * Nut	
35	828742	1	* * Switch	
36	828740	2	* * Spacer washer	
37	853032	1	Cable trunk	
	948294	X	* Housing	9-POL
	965822	X	* Cable terminal	3,5X1X2,5
	853498	X	* Receptacle housing	3-POL
	853521	X	* Cable terminal	FOR 853498
38	949666	X	Cable tie	
39	852839	2	Hose	
40	87698	2	* Fitting screw	
41	954320	2	* Fitting nut	

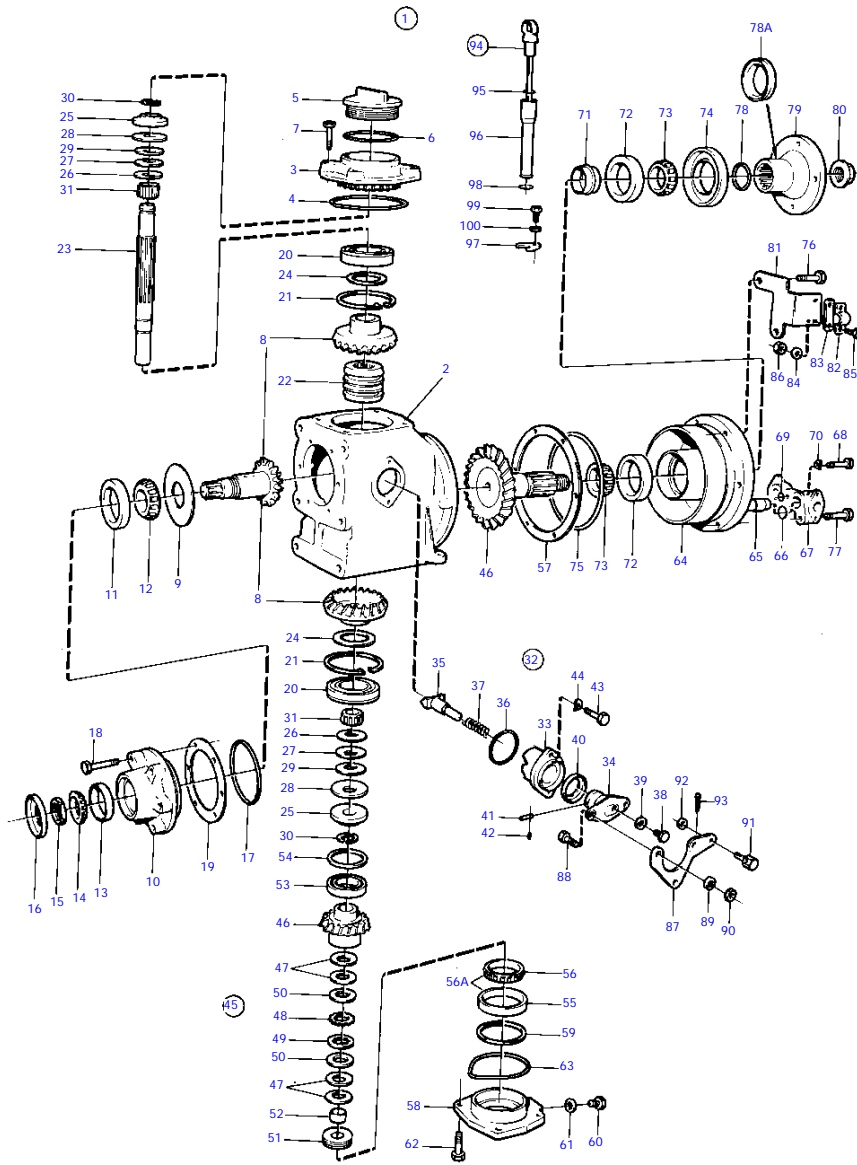
TAMD31A, TAMD31B



TAMD31A, TAMD31B

REF	PART NO.	QTY	DESCRIPTION	NOTES
1	853944	1	Stub axle	OBSOLETE PART
	853850	1	Stub axle	L = 1650 MM
1A	853830	2	* Insert	
2	839482	1	Intermediate housing	
3	853841	1	Spindle	
4	183647	1	Roller bearing	
5	11041	1	Roller bearing	
6	914465	1	Snap ring	
7	914533	1	Snap ring	
8	968950	1	Support washer	
9	969072	1	Round nut	
10	958860	2	Sealing ring	
11	804262	1	Plug	
12	838422	1	Clutch flange	
13	947541	1	Washer	
14	955317	1	Hexagon screw	
15	858464	2	Rubber ring	
16	854584	1	Seal flange	(838934), OBSOLETE PART
17	941908	4	Spring washer	
18	946441	4	Flange screw	
19	838935	1	Bracket	P
	838936	1	Bracket	S.B
20	955897	22	Washer	
21	853878	1	Attaching plate	
22	853829	1	Bushing	
23	914470	1	Snap ring	
24	945996	4	Hexagon screw	
25	941909	4	Spring washer	
26	853978	1	Clutch	(853832)
27	853951	6	* Screw	
28	853838	1	Protecting screen	
29	940160	6	Hexagon screw	
30	941909	6	Spring washer	
31	940157	6	Hexagon nut	
32	914470	1	Snap ring	
33	853829	1	Bushing	
34	853876	1	Attaching plate	
35	941907	6	Spring washer	
36	955297	6	Hexagon screw	
37	853977	1	Clutch	(853831)
38	853951	3	Screw	
39	853952	3	Screw	
40	853834	3	Spacer sleeve	
41	853874	1	Protecting screen	
42	941908	4	Spring washer	
43	955317	4	Hexagon screw	

MD31A, TMD31A, TMD31B, TAMD31A, TAMD31B, AQAD31A, AD31A, AD31B



8960



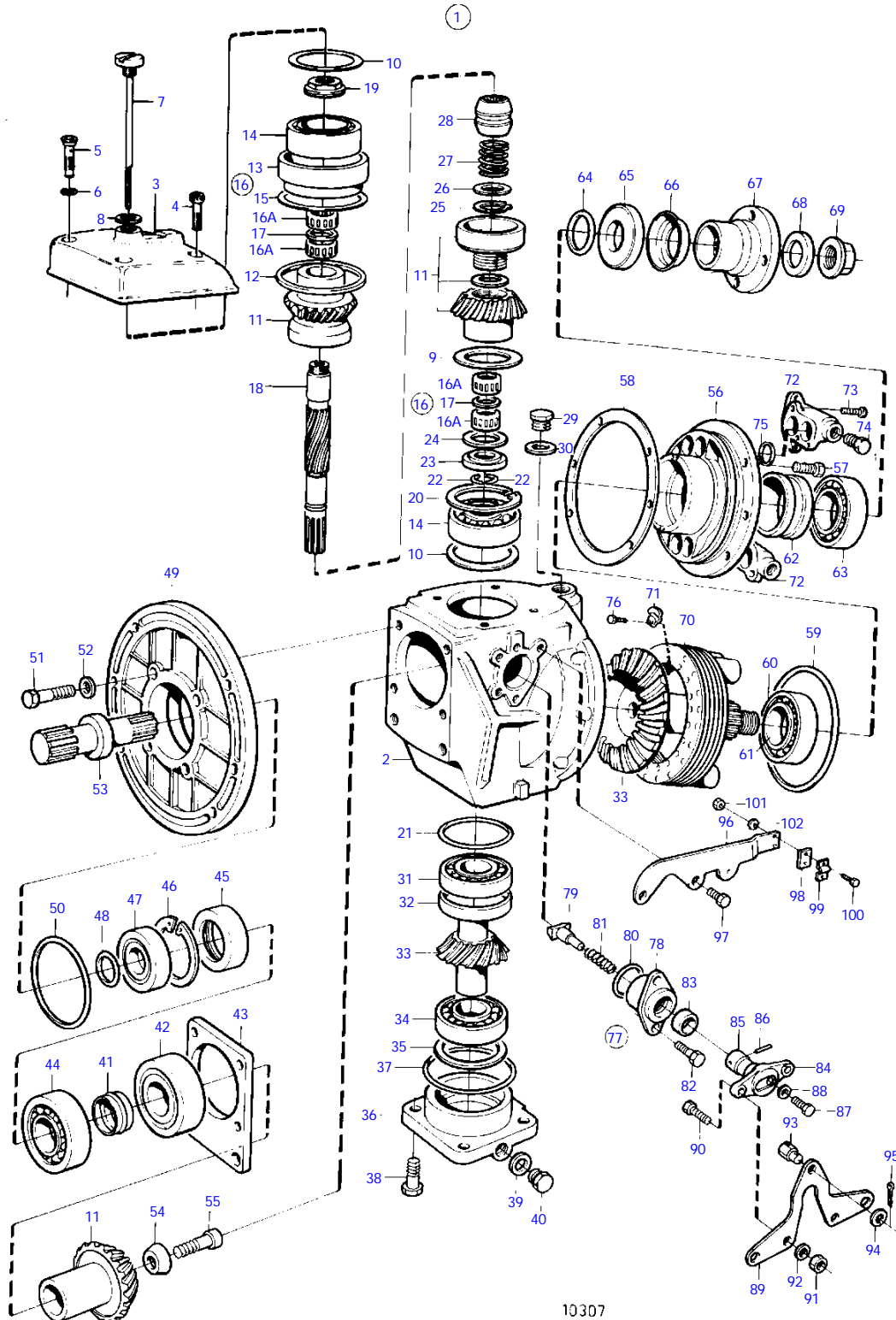
MD31A, TMD31A, TMD31B, TAMD31A, TAMD31B, AQAD31A, AD31A, AD31B

REF	PART NO.	QTY	DESCRIPTION	SEE SEC.	NOTES
1	852730	1	Reversing gear		RATIO 2,37:1
2	852726	1	* Housing		
3	852524	1	* Cover		(851614)
4	949962	1	* O-ring		
5	851754	1	* Filler cap		
6	1664473	1	* O-ring		(925254)
7	946671	4	* Flange screw		(948336)
8	851616	1	* Gear set		
9	851621	1	* Turntable		
10	851619	1	* Bearing box		
11	181302	1	* Cup		
12	181301	1	* Inner ring		
13	183750	1	* Cup		
14	183752	1	* Cone		
15	852485	1	* Lock nut		
16	851755	1	* Sealing ring		
17	925093	1	* O-ring		
18	940101	6	* Hexagon screw		
19	851622	X	* Adjusting washer		TH = 0.10mm
	851623	X	* Adjusting washer		TH=0,15mm
	851624	X	* Adjusting washer		TH = 0.35mm
20	851756	2	* Bearing		
21	852190	2	* Lock ring		
22	851626	1	* Sliding sleeve		
23	852527	1	* Shaft		
24	941835	1	Shim		TH = 0,05 MM
	852184	1	Shim		TH = 0,05 MM
	84219	X	* Shim		TH = 0.10mm
	949776	X	* Shim		TH=0,15mm
	84218	X	* Shim		TH = 0.35mm
25	852079	2	* Lock washer		
26	852311	2	* Washer		
27	852317	2	* Washer		
28	852213	2	* Disc spring		
29	852080	6	* Disc spring		
30	851629	4	* Lock ring half		
31	851757	2	* Needle bearing		
32	851661	1	* Shift mechanism		
33	851662	1	* * Bearing housing		
34	897816	1	* * Eccentric piston		
			Bulletin P-44-1-7	P-44-1-7-EN	Shift mechanism, eccentric piston
35	851664	1	* * Dog		
36	925065	1	* * O-ring		
37	814184	1	* * Spring		
38	897711	1	* * Screw		
39	897871	X	* * Shim		TH = 0.20mm
40	958838	1	* * Sealing ring		
41	942871	1	* * Clevis pin		
42	951924	1	* * Spring pin		
43	955296	2	* Hexagon screw		
44	941907	2	* Spring washer		
45	852319	1	* Gear set		
46		2	* * GEAR		
47		4	* * CUP SPRING		
48		18	* * OUTER DISC		
49		17	* * INNER DISC		
50		2	* * THRUST WASHER		
51		1	* * ADJUSTING SCREW		
52		1	* * BUSHING		
53	183518	1	* Roller bearing		
54	851705	X	* Adjusting washer		TH = 0.10mm
	851706	X	* Adjusting washer		TH=0,15mm
	851707	X	* Adjusting washer		TH = 0.35mm
55	181662	1	* Cup		REPL BY 183842
56	181305	1	* Cone		REPL BY 183842
56A	183842	1	* Roller bearing		COMPL BEARING
57	851702	X	* Adjusting washer		TH = 0.10mm
	851703	X	* Adjusting washer		TH=0,15mm
	851704	X	* Adjusting washer		TH = 0.35mm
58	851444	1	* Bearing cover		(851640)
59	87655	X	* Shim		TH = 0.10mm
	191840	X	* Shim		TH=0,15mm
	87654	X	* Shim		TH = 0.35mm
	941835	X	* Shim		TH = 0.5mm
60	960629	1	* Plug		
61	947084	1	* Gasket		
62	946671	4	* Flange screw		(948336)
63	925256	1	* O-ring		
64	851445	1	* Bearing housing		(851928)
65	852159	1	* Oil cooler		
66	943309	2	* O-ring		
67	852733	1	* Pipe connection		(852157), OBSOLETE PART
68	955279	1	* Hexagon screw		
69	949750	1	* O-ring		
70	941906	1	* Spring washer		
71	851974	1	* Pretensioning sleeve		
72	181302	2	* Cup		
73	181301	2	* Inner ring		
74	852528	1	* Sealing ring		
75	925262	1	* O-ring		

MD31A, TMD31A, TMD31B, TAMD31A, TAMD31B, AQAD31A, AD31A, AD31B

REF	PART NO.	QTY	DESCRIPTION	SEE SEC.	NOTES
76	946470	2	* Flange screw		L = 35 MM
	947760	2	* Flange screw		L = 40 MM
77	965180	2	* Flange screw		L = 60 MM (965217)
78	925062	1	* O-ring		
78A	944138	1	* Sealing ring		
79	852076	1	* Companion flange		
80	947855	1	* Flange lock nut		
81	852168	1	* Bracket		(851441)
82	21471054	1	* Bracket		
83	819068	1	* Washer		
84	940090	2	* Washer		
85	955246	2	* Hexagon screw		
86	946577	2	* Lock nut		
87	852363	1	* Intermediate lever		
88	955270	2	* Hexagon screw		
89	955948	2	* Toothed washer		
90	955781	2	* Hexagon nut		
91	833462	1	* Cube		
92	955892	1	* Washer		
93	17276	1	* Split pin		
94	852314	1	* Oil dipstick		
95	925054	1	* O-ring		
96	852228	1	* Tube		OBSOLETE PART
97	852229	1	* Cardboard tube		
98	925055	1	* O-ring		
99	956063	1	* Cross recessed screw		
100	955891	1	* Washer, WASHER		
	875704	1	Gasket kit		SEE GROUP 10A

MD31A, TMD31A, TMD31B, TAMD31A, TAMD31B, AQAD31A, AD31A, AD31B



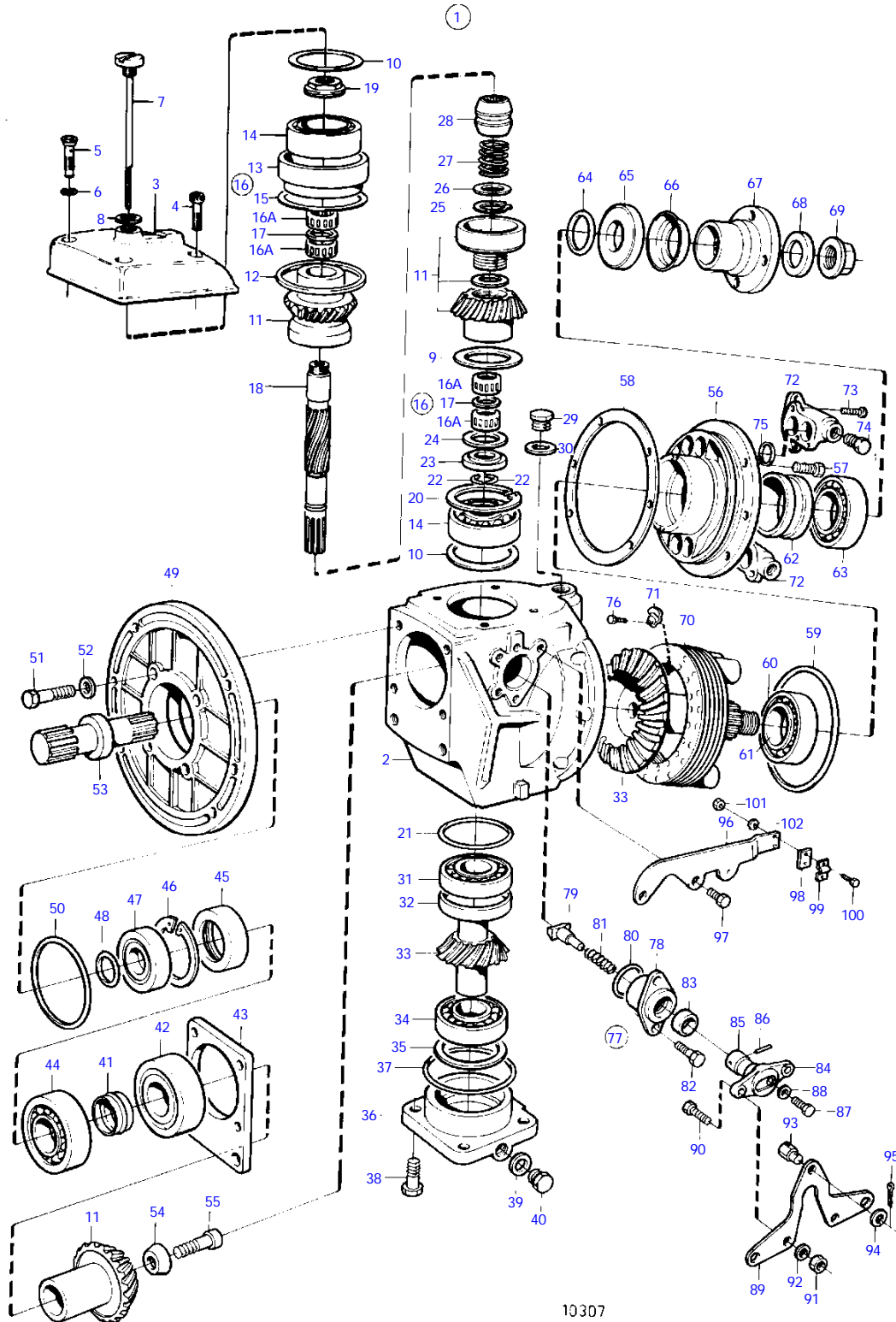
MD31A, TMD31A, TMD31B, TAMD31A, TAMD31B, AQAD31A, AD31A, AD31B

REF	PART NO.	QTY	DESCRIPTION	SEE SEC.	NOTES
1	853398	1	Reversing gear		RATIO 1,93:1
2	853374	1	* Gear housing		OBSOLETE PART
3	832667	1	* Gear housing cover		
4	956585	3	* Hex. socket screw		
5	814643	1	* Hollow screw		
6	955989	1	* O-ring		
7	839351	1	* Oil dipstick		
8	955974	1	* O-ring		
9	949071	X	* Shim		TH = 0.1mm
	949073	X	* Shim		TH = 0.35mm
	949072	X	* Shim		TH = 0.5mm
10	943866	X	* Shim		TH = 0.1mm
	943867	X	* Shim		TH = 0.2mm
	967557	X	* Shim		TH = 0.3mm
	943868	X	* Shim		TH = 0.4mm
11	854599	1	* Gear set		
12	832669	1	* Gasket		
13	832644	1	* Bearing sleeve		
14	853542	2	* Ball bearing		
15	943869	X	* Shim		TH = 0,05 MM
	946179	X	* Shim		TH = 0.1mm
	943870	X	* Shim		TH = 0.2mm
16	853819	2	* Needle bearing		
16A	181359	4	* Needle roller assemb		REPL BY 853819
17	897308	2	* Spacer ring		FOR 181359, OBSOLETE PART
18	853523	1	* Shaft		
19	839332	1	* Nut		ALT TH = 2,00 MM
	839333	1	* Nut		ALT TH = 2,37 MM
	839334	1	* Nut		ALT TH = 2,65 MM
20	850433	1	* Snap ring		
21	944522	X	* Shim		TH = 0,05 MM
	42981	X	* Shim		TH = 0.1mm
	42980	X	* Shim		TH = 0.2mm
22	897312	2	* Lock ring		
23	853528	1	* Spacer ring		
24	852433	1	* Wear washer		
25	951077	1	* Snap ring		
26	26411	1	* Shim		
27	813970	1	* Spring		
28	854370	1	* Sliding sleeve		(853420)
29	814179	1	* Plug		
30	897682	1	* Gasket		
31	181301	1	* Inner ring		
32	181302	1	* Cup		
33	853376	1	* Drive gear set		
34	184649	1	* Roller bearing		
35	943252	X	* Shim		(967352) TH = 0,05 MM
	967352	X	* Shim		TH = 0,05 MM
	967351	X	* Shim		TH=0,15mm
	941824	X	* Shim		TH = 0.20mm
	941825	X	* Shim		TH = 0.40 mm
36	854097	1	* Bearing cover		(852372)
37	925257	1	* O-ring		
38	946472	4	* Flange screw		
39	947084	1	* Gasket		
40	960629	1	* Plug		
41	853484	1	* Pretensioning sleeve		
42	853949	1	* Roller bearing		(183668)
43	853063	X	* Adjusting washer		TH = 0.1mm
	853064	X	* Adjusting washer		TH=0,15mm
	853065	X	* Adjusting washer		TH = 0.35mm
44	183247	1	* Roller bearing		
45	853670	1	* Sealing ring		(839253)
46	914538	1	* Snap ring		
47	832675	1	* Washer		
48	956000	1	* O-ring		
49	853161	1	* Bearing housing		
50	925095	1	* O-ring		
51	967636	1	* Hex. socket screw		
52	949523	1	* Washer		
53	850275	1	* Stub axle		
54	853026	1	* Washer		
55	854201	1	* Screw		(851293)
56	853366	1	* Bearing housing		
57	946671	6	* Flange screw		
58	853370	X	* Adjusting washer		TH = 0.1mm
	853369	X	* Adjusting washer		TH=0,15mm
	853368	X	* Adjusting washer		TH = 0.35mm
59	943244	1	* O-ring		
60	183328	1	* Cup		
61	183327	1	* Inner ring		
62	852696	1	* Pretensioning sleeve		
63	853949	1	* Roller bearing		(183668)
64	925063	1	* O-ring		
65	853757	1	* Sealing ring		(959026)
66	944530	1	* Sealing ring		
67	853481	1	* Flange		
68	850471	1	* Washer		
69	947855	1	* Flange lock nut		
70	853394	1	* Oil cooler		

MD31A, TMD31A, TMD31B, TAMD31A, TAMD31B, AQAD31A, AD31A, AD31B

REF	PART NO.	QTY	DESCRIPTION	SEE SEC.	NOTES
71	853361	2	* Retainer		
72	851874	2	* Pipe connection		
73	965213	4	* Flange screw		
74	192134	2	* Plug		
75	960169	4	* O-ring		
76	959187	4	* Hex. socket screw		
77	853198	1	* Shift mechanism		
78	851662	1	* Bearing housing		
79	839646	1	* Dog		
80	925065	1	* O-ring		
81	814184	1	* Spring		
82	965215	2	* Flange screw		
83	958838	1	* Sealing ring		
84	897816	1	* Eccentric piston		
			Bulletin P-44-1-7	P-44-1-7-EN	Shift mechanism, eccentric piston
85	951924	1	* Spring pin		
86	942871	1	* Clevis pin		
87	897711	1	* Screw		
88	897871	1	* Shim		
89	853225	1	* Intermediate lever		
90	955270	2	* Hexagon screw		
91	955781	2	* Hexagon nut		
92	955948	2	* Toothed washer		
93	804312	1	* Cube		
94	955982	1	* O-ring		
95	17276	1	* Split pin		
96	853180	1	* Bracket		
97	955294	2	* Hexagon screw		
98	819068	1	* Washer		
99	21471054	1	* Bracket		
100	955246	2	* Hexagon screw		
101	946577	2	* Lock nut		
102	940090	2	* Washer		
	876073	1	Gasket kit		SEE GROUP 10A

MD31A, TMD31A, TMD31B, TAMD31A, TAMD31B, AQAD31A, AD31A, AD31B



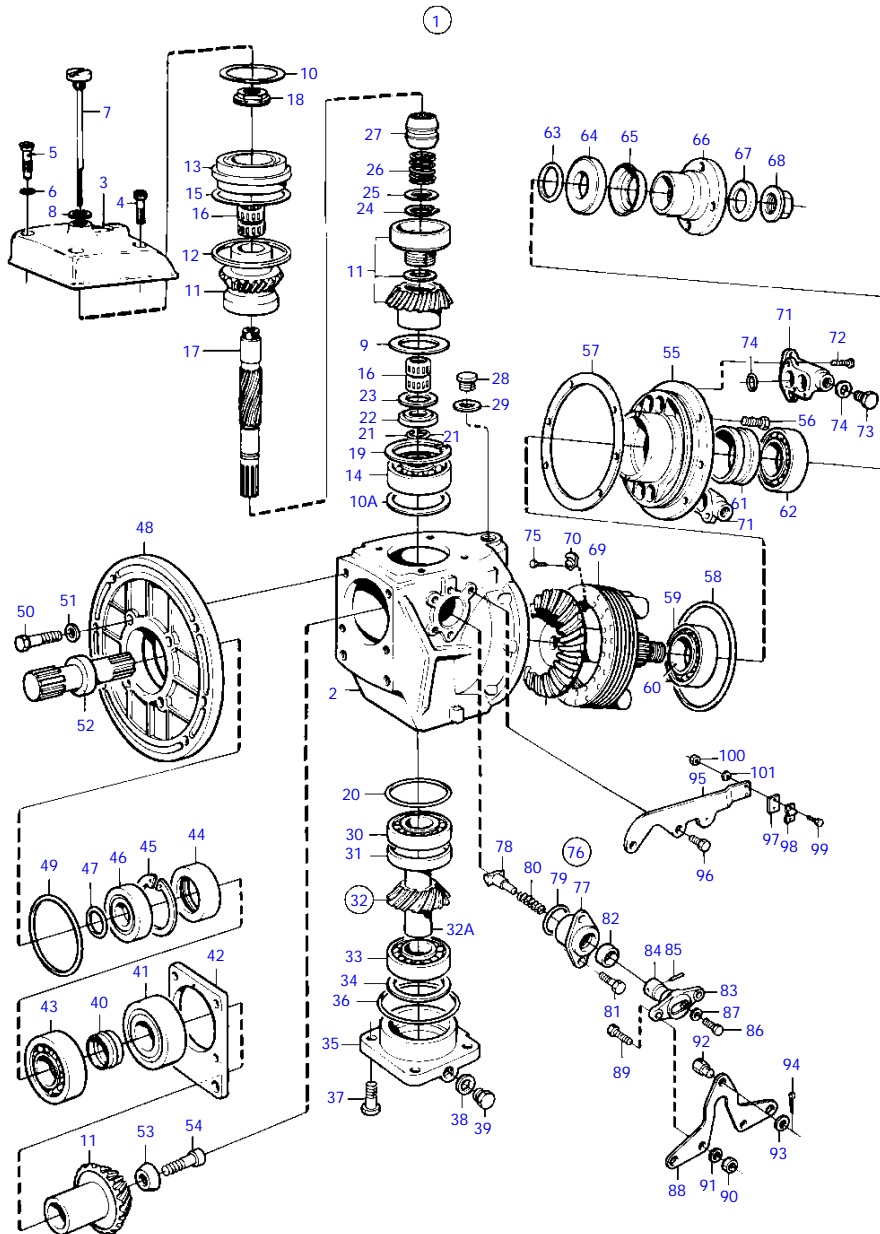
MD31A, TMD31A, TMD31B, TAMD31A, TAMD31B, AQAD31A, AD31A, AD31B

REF	PART NO.	QTY	DESCRIPTION	SEE SEC.	NOTES
1	853399	1	Reversing gear		RATIO 2,63:1
2	853374	1	* Gear housing		OBSOLETE PART
3	832667	1	* Gear housing cover		
4	956585	3	* Hex. socket screw		
5	814643	1	* Hollow screw		
6	955989	1	* O-ring		
7	839351	1	* Oil dipstick		
8	955974	1	* O-ring		
9	949071	X	* Shim		TH = 0.1mm
	949073	X	* Shim		TH = 0.35mm
	949072	X	* Shim		TH = 0.5mm
10	943866	X	* Shim		TH = 0.1mm
	943867	X	* Shim		TH = 0.2mm
	967557	X	* Shim		TH = 0.3mm
	943868	X	* Shim		TH = 0.4mm
11	854599	1	* Gear set		
12	832669	1	* Gasket		
13	832644	1	* Bearing sleeve		
14	853542	2	* Ball bearing		
15	943869	X	* Shim		TH = 0,05 MM
	946179	X	* Shim		TH = 0.1mm
	943870	X	* Shim		TH = 0.2mm
16	853819	2	* Needle bearing		
16A	181359	4	* Needle roller assemb		REPL BY 853819
17	897308	2	* Spacer ring		FOR 181359, OBSOLETE PART
18	853523	1	* Shaft		
19	839332	1	* Nut		ALT TH = 2,00 MM
	839333	1	* Nut		ALT TH = 2,37 MM
	839334	1	* Nut		ALT TH = 2,65 MM
20	850433	1	* Snap ring		
21	944522	X	* Shim		TH = 0,05 MM
	42981	X	* Shim		TH = 0.1mm
	42980	X	* Shim		TH = 0.2mm
22	897312	2	* Lock ring		
23	853528	1	* Spacer ring		
24	852433	1	* Wear washer		
25	951077	1	* Snap ring		
26	26411	1	* Shim		
27	813970	1	* Spring		
28	854370	1	* Sliding sleeve		(853420)
29	814179	1	* Plug		
30	897682	1	* Gasket		
31	181301	1	* Inner ring		
32	181302	1	* Cup		
33	853377	1	* Anode		
34	184649	1	* Roller bearing		
35	943252	X	* Shim		(967352) TH = 0,05 MM
	967352	X	* Shim		TH = 0,05 MM
	967351	X	* Shim		TH=0,15mm
	941824	X	* Shim		TH = 0.20mm
	941825	X	* Shim		TH = 0.40 mm
36	854097	1	* Bearing cover		(852372)
37	925257	1	* O-ring		
38	946472	4	* Flange screw		
39	947084	1	* Gasket		
40	960629	1	* Plug		
41	853484	1	* Pretensioning sleeve		
42	853949	1	* Roller bearing		(183668)
43	853063	X	* Adjusting washer		TH = 0.1mm
	853064	X	* Adjusting washer		TH=0,15mm
	853065	X	* Adjusting washer		TH = 0.35mm
44	183247	1	* Roller bearing		
45	853670	1	* Sealing ring		(839253)
46	914538	1	* Snap ring		
47	832675	1	* Washer		
48	956000	1	* O-ring		
49	853161	1	* Bearing housing		
50	925095	1	* O-ring		
51	967636	1	* Hex. socket screw		
52	949523	1	* Washer		
53	850275	1	* Stub axle		
54	853026	1	* Washer		
55	854201	1	* Screw		(851293)
56	853366	1	* Bearing housing		
57	946671	6	* Flange screw		
58	853370	X	* Adjusting washer		TH = 0.1mm
	853369	X	* Adjusting washer		TH=0,15mm
	853368	X	* Adjusting washer		TH = 0.35mm
59	943244	1	* O-ring		
60	183328	1	* Cup		
61	183327	1	* Inner ring		
62	852696	1	* Pretensioning sleeve		
63	853949	1	* Roller bearing		(183668)
64	925063	1	* O-ring		
65	853757	1	* Sealing ring		(959026)
66	944530	1	* Sealing ring		
67	853481	1	* Flange		
68	850471	1	* Washer		
69	947855	1	* Flange lock nut		
70	853394	1	* Oil cooler		

MD31A, TMD31A, TMD31B, TAMD31A, TAMD31B, AQAD31A, AD31A, AD31B

REF	PART NO.	QTY	DESCRIPTION	SEE SEC.	NOTES
71	853361	2	* Retainer		
72	851874	2	* Pipe connection		
73	965213	4	* Flange screw		
74	192134	2	* Plug		
75	960169	4	* O-ring		
76	959187	4	* Hex. socket screw		
77	853198	1	* Shift mechanism		
78	851662	1	* Bearing housing		
79	839646	1	* Dog		
80	925065	1	* O-ring		
81	814184	1	* Spring		
82	965215	2	* Flange screw		
83	958838	1	* Sealing ring		
84	897816	1	* Eccentric piston		
			Bulletin P-44-1-7	P-44-1-7-EN	Shift mechanism, eccentric piston
85	951924	1	* Spring pin		
86	942871	1	* Clevis pin		
87	897711	1	* Screw		
88	897871	1	* Shim		
89	853225	1	* Intermediate lever		
90	955270	2	* Hexagon screw		
91	955781	2	* Hexagon nut		
92	955948	2	* Toothed washer		
93	804312	1	* Cube		
94	955982	1	* O-ring		
95	17276	1	* Split pin		
96	853180	1	* Bracket		
97	955294	2	* Hexagon screw		
98	819068	1	* Washer		
99	21471054	1	* Bracket		
100	955246	2	* Hexagon screw		
101	946577	2	* Lock nut		
102	940090	2	* Washer		
	876073	1	Gasket kit		SEE GROUP 10A

MD31A, TMD31A, TMD31B, TAMD31A, TAMD31B, AQAD31A, AD31A, AD31B



10533

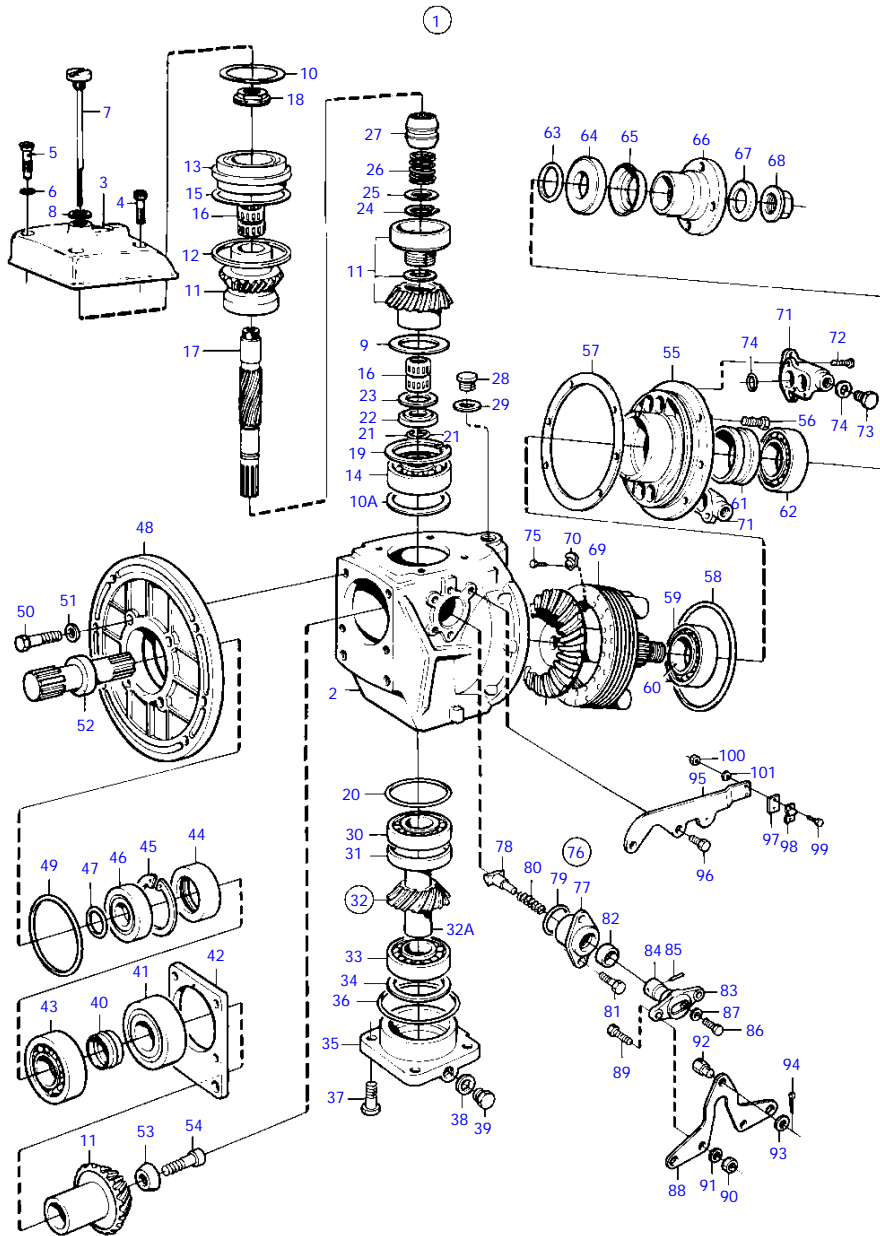
MD31A, TMD31A, TMD31B, TAMD31A, TAMD31B, AQAD31A, AD31A, AD31B

REF	PART NO.	QTY	DESCRIPTION	SEE SEC.	NOTES
1	854902	1	Transmission		RATIO 1,93:1
2	853374	1	* Gear housing		OBSOLETE PART
3	832667	1	* Gear housing cover		
4	956585	3	* Hex. socket screw		
5	814643	1	* Hollow screw		
6	955989	1	* O-ring		
7	839351	1	* Oil dipstick		
8	955974	1	* O-ring		
9	949071	X	* Shim		TH = 0.1mm
	949073	X	* Shim		TH = 0.35mm
	949072	X	* Shim		TH = 0.5mm
10	941826	X	* Shim		TH = 0,05 MM
	941827	X	* Shim		TH = 0.2mm
	948230	X	* Shim		TH = 0.35mm
10A	943866	X	* Shim		TH = 0.1mm
10	943867	X	* Shim		TH = 0.2mm
	967557	X	* Shim		TH = 0.3mm
	943868	X	* Shim		TH = 0.4mm
11	854599	1	* Gear set		
12	832669	1	* Gasket		
13	854670	1	* Ball bearing		
14	853542	1	* Ball bearing		
15	943869	X	* Shim		TH = 0,05 MM
	946179	X	* Shim		TH = 0.1mm
	943870	X	* Shim		TH = 0.2mm
16	853819	2	* Needle bearing		
17	853523	1	* Shaft		
18	839332	1	* Nut		ALT TH = 2,00 MM
	839333	1	* Nut		ALT TH = 2,37 MM
	839334	1	* Nut		ALT TH = 2,65 MM
19	850433	1	* Snap ring		
20	944522	X	* Shim		TH = 0,05 MM
	42981	X	* Shim		TH = 0.1mm
	42980	X	* Shim		TH = 0.2mm
21	897312	2	* Lock ring		
22	853528	1	* Spacer ring		
23	852433	1	* Wear washer		
24	951077	1	* Snap ring		
25	26411	1	* Shim		
26	813970	1	* Spring		
27	854370	1	* Sliding sleeve		
28	814179	1	* Plug		
29	897682	1	* Gasket		
30	181301	1	* Inner ring		
31	181302	1	* Cup		
32	853376	1	* Drive gear set		
32A		1	* SLIDING CLUTCH		
33	184649	1	* Roller bearing		
34	943252	X	* Shim		(967352) TH = 0,05 MM
	941823	X	* Shim		TH = 0.10mm
	967352	X	* Shim		TH = 0,05 MM
	941824	X	* Shim		TH = 0.20mm
	941825	X	* Shim		TH = 0.40 mm
35	854097	1	* Bearing cover		
36	925257	1	* O-ring		
37	946472	4	* Flange screw		
38	947084	1	* Gasket		
39	960629	1	* Plug		
40	853484	1	* Pretensioning sleeve		
41	853949	1	* Roller bearing		
42	853063	X	* Adjusting washer		TH = 0.1mm
	853064	X	* Adjusting washer		TH=0,15mm
	853065	X	* Adjusting washer		TH = 0.35mm
43	183247	1	* Roller bearing		
44	853670	1	* Sealing ring		
45	914538	1	* Snap ring		
46	832675	1	* Washer		
47	956000	1	* O-ring		
48	853161	1	* Bearing housing		
49	925095	1	* O-ring		
50	967636	6	* Hex. socket screw		
51	949523	6	* Washer		
52	850275	1	* Stub axle		
53	853026	1	* Washer		
54	854201	1	* Screw		
55	853366	1	* Bearing housing		
56	946671	6	* Flange screw		
57	853370	X	* Adjusting washer		TH = 0.1mm
	853369	X	* Adjusting washer		TH=0,15mm
	853368	X	* Adjusting washer		TH = 0.35mm
58	943244	1	* O-ring		
59	183328	1	* Cup		
60	183327	1	* Inner ring		
61	852696	1	* Pretensioning sleeve		
62	853949	1	* Roller bearing		
63	925063	1	* O-ring		
64	853757	1	* Sealing ring		
65	944530	1	* Sealing ring		
66	853481	1	* Flange		
67	850471	1	* Washer		

MD31A, TMD31A, TMD31B, TAMD31A, TAMD31B, AQAD31A, AD31A, AD31B

REF	PART NO.	QTY	DESCRIPTION	SEE SEC.	NOTES
68	947855	1	* Flange lock nut		
69	853394	1	* Oil cooler		
70	853361	2	* Retainer		
71	851874	2	* Pipe connection		
72	965213	4	* Flange screw		
73	192134	2	* Plug		
74	960169	4	* O-ring		
75	959187	4	* Hex. socket screw		
76	853198	1	* Shift mechanism		
77	851662	1	* * Bearing housing		
78	839646	1	* * Dog		
79	925065	1	* * O-ring		
80	814184	1	* * Spring		
81	965215	2	* * Flange screw		
82	958838	1	* * Sealing ring		
83	897816	1	* * Eccentric piston		
			Bulletin P-44-1-7	P-44-1-7-EN	Shift mechanism, eccentric piston
84	951924	1	* * Spring pin		
85	942871	1	* * Clevis pin		
86	897711	1	* * Screw		
87	897871	1	* * Shim		
88	853225	1	* Intermediate lever		
89	955270	2	* Hexagon screw		
90	955781	2	* Hexagon nut		
91	955948	2	* Toothed washer		
92	804312	1	* Cube		
93	955892	1	* Washer		
94	17276	1	* Split pin		
95	853180	1	* Bracket		
96	955294	2	* Hexagon screw		
97	819068	1	* Washer		
98	21471054	1	* Bracket		
99	955246	2	* Hexagon screw		
100	946577	2	* Lock nut		
101	940090	2	* Washer		
	876073	1	Gasket kit		SEE GROUP 10A

MD31A, TMD31A, TMD31B, TAMD31A, TAMD31B, AQAD31A, AD31A, AD31B



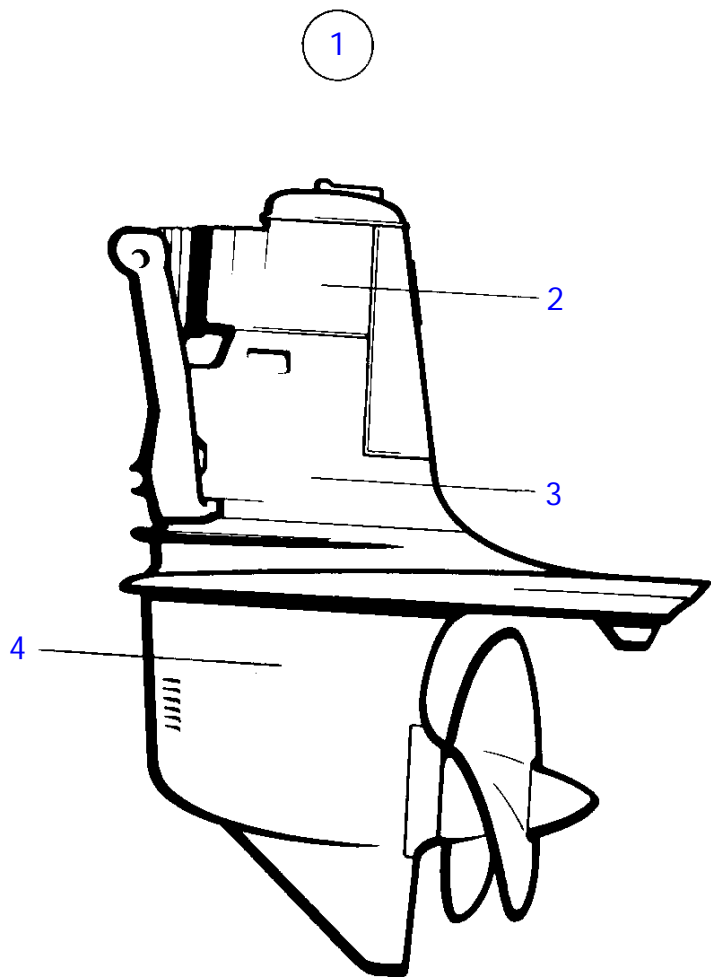
10533

MD31A, TMD31A, TMD31B, TAMD31A, TAMD31B, AQAD31A, AD31A, AD31B

REF	PART NO.	QTY	DESCRIPTION	SEE SEC.	NOTES
1	854903	1	Reversing gear		RATIO 2,63:1
2	853374	1	* Gear housing		OBSOLETE PART
3	832667	1	* Gear housing cover		
4	956585	3	* Hex. socket screw		
5	814643	1	* Hollow screw		
6	955989	1	* O-ring		
7	839351	1	* Oil dipstick		
8	955974	1	* O-ring		
9	949071	X	* Shim		TH = 0.1mm
	949073	X	* Shim		TH = 0.35mm
	949072	X	* Shim		TH = 0.5mm
10	941826	X	* Shim		TH = 0,05 MM
	941827	X	* Shim		TH = 0.2mm
	948230	X	* Shim		TH = 0.35mm
10A	943866	X	* Shim		TH = 0.1mm
10	943867	X	* Shim		TH = 0.2mm
	967557	X	* Shim		TH = 0.3mm
	943868	X	* Shim		TH = 0.4mm
11	854599	1	* Gear set		
12	832669	1	* Gasket		
13	854670	1	* Ball bearing		
14	853542	1	* Ball bearing		
15	943869	X	* Shim		TH = 0,05 MM
	946179	X	* Shim		TH = 0.1mm
	943870	X	* Shim		TH = 0.2mm
16	853819	2	* Needle bearing		
17	853523	1	* Shaft		
18	839332	1	* Nut		ALT TH = 2,00 MM
	839333	1	* Nut		ALT TH = 2,37 MM
	839334	1	* Nut		ALT TH = 2,65 MM
19	850433	1	* Snap ring		
20	944522	X	* Shim		TH = 0,05 MM
	42981	X	* Shim		TH = 0.1mm
	42980	X	* Shim		TH = 0.2mm
21	897312	2	* Lock ring		
22	853528	1	* Spacer ring		
23	852433	1	* Wear washer		
24	951077	1	* Snap ring		
25	26411	1	* Shim		
26	813970	1	* Spring		
27	854370	1	* Sliding sleeve		
28	814179	1	* Plug		
29	897682	1	* Gasket		
30	181301	1	* Inner ring		
31	181302	1	* Cup		
32	853377	1	* Anode		
32A		1	* SLIDING CLUTCH		
33	184649	1	* Roller bearing		
34	943252	X	* Shim		(967352) TH = 0,05 MM
	941823	X	* Shim		TH = 0.10mm
	967352	X	* Shim		TH = 0,05 MM
	941824	X	* Shim		TH = 0.20mm
	941825	X	* Shim		TH = 0.40 mm
35	854097	1	* Bearing cover		
36	925257	1	* O-ring		
37	946472	4	* Flange screw		
38	947084	1	* Gasket		
39	960629	1	* Plug		
40	853484	1	* Pretensioning sleeve		
41	853949	1	* Roller bearing		
42	853063	X	* Adjusting washer		TH = 0.1mm
	853064	X	* Adjusting washer		TH=0,15mm
	853065	X	* Adjusting washer		TH = 0.35mm
43	183247	1	* Roller bearing		
44	853670	1	* Sealing ring		
45	914538	1	* Snap ring		
46	832675	1	* Washer		
47	956000	1	* O-ring		
48	853161	1	* Bearing housing		
49	925095	1	* O-ring		
50	967636	6	* Hex. socket screw		
51	949523	6	* Washer		
52	850275	1	* Stub axle		
53	853026	1	* Washer		
54	854201	1	* Screw		
55	853366	1	* Bearing housing		
56	946671	6	* Flange screw		
57	853370	X	* Adjusting washer		TH = 0.1mm
	853369	X	* Adjusting washer		TH=0,15mm
	853368	X	* Adjusting washer		TH = 0.35mm
58	943244	1	* O-ring		
59	183328	1	* Cup		
60	183327	1	* Inner ring		
61	852696	1	* Pretensioning sleeve		
62	853949	1	* Roller bearing		
63	925063	1	* O-ring		
64	853757	1	* Sealing ring		
65	944530	1	* Sealing ring		
66	853481	1	* Flange		
67	850471	1	* Washer		

MD31A, TMD31A, TMD31B, TAMD31A, TAMD31B, AQAD31A, AD31A, AD31B

REF	PART NO.	QTY	DESCRIPTION	SEE SEC.	NOTES
68	947855	1	* Flange lock nut		
69	853394	1	* Oil cooler		
70	853361	2	* Retainer		
71	851874	2	* Pipe connection		
72	965213	4	* Flange screw		
73	192134	2	* Plug		
74	960169	4	* O-ring		
75	959187	4	* Hex. socket screw		
76	853198	1	* Shift mechanism		
77	851662	1	* * Bearing housing		
78	839646	1	* * Dog		
79	925065	1	* * O-ring		
80	814184	1	* * Spring		
81	965215	2	* * Flange screw		
82	958838	1	* * Sealing ring		
83	897816	1	* * Eccentric piston		
			Bulletin P-44-1-7	P-44-1-7-EN	Shift mechanism, eccentric piston
84	951924	1	* * Spring pin		
85	942871	1	* * Clevis pin		
86	897711	1	* * Screw		
87	897871	1	* * Shim		
88	853225	1	* Intermediate lever		
89	955270	2	* Hexagon screw		
90	955781	2	* Hexagon nut		
91	955948	2	* Toothed washer		
92	804312	1	* Cube		
93	955892	1	* Washer		
94	17276	1	* Split pin		
95	853180	1	* Bracket		
96	955294	2	* Hexagon screw		
97	819068	1	* Washer		
98	21471054	1	* Bracket		
99	955246	2	* Hexagon screw		
100	946577	2	* Lock nut		
101	940090	2	* Washer		
	876073	1	Gasket kit		SEE GROUP 10A



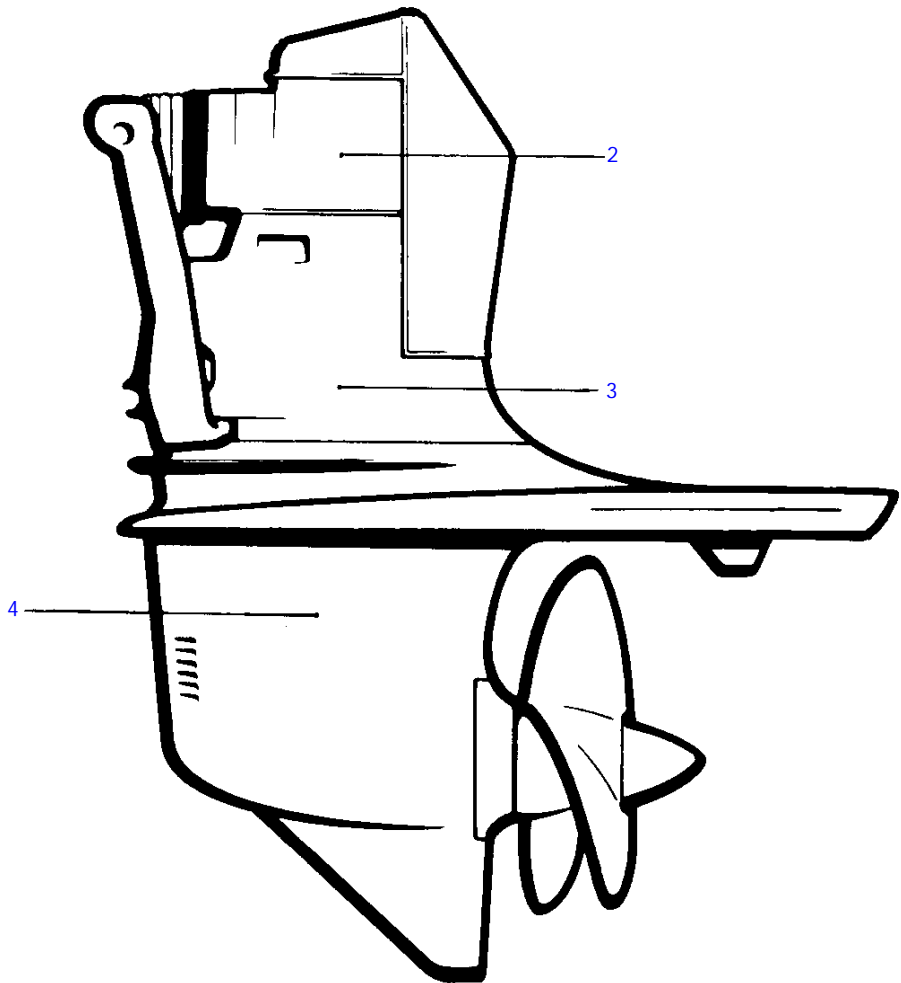
3508

--

REF	PART NO.	QTY	DESCRIPTION	SEE SEC.	NOTES
1	853068	1	Drive		REPLACED BY DRIVE UNIT SP-A 854015, ALSO AVAILABLE AS AN EXCHANGE PART. SN-3102051500
2	853070	1	• Upper gear		REPLACED BY UPPER GEAR UNIT 854022, COVER 854036, 1EA SCREW 854661 AND DECAL 854144., ALSO AVAILABLE AS AN EXCHANGE PART.
				19288	
3		1	• • INTERM HOUSING	19289	
4	851875	1	• • Lower gear		REPLACED BY LOWER GEAR UNIT 854038., ALSO AVAILABLE AS AN EXCHANGE PART.
				19290	
		X	GASKET KITS,290A		SEE GROUP 10A



1

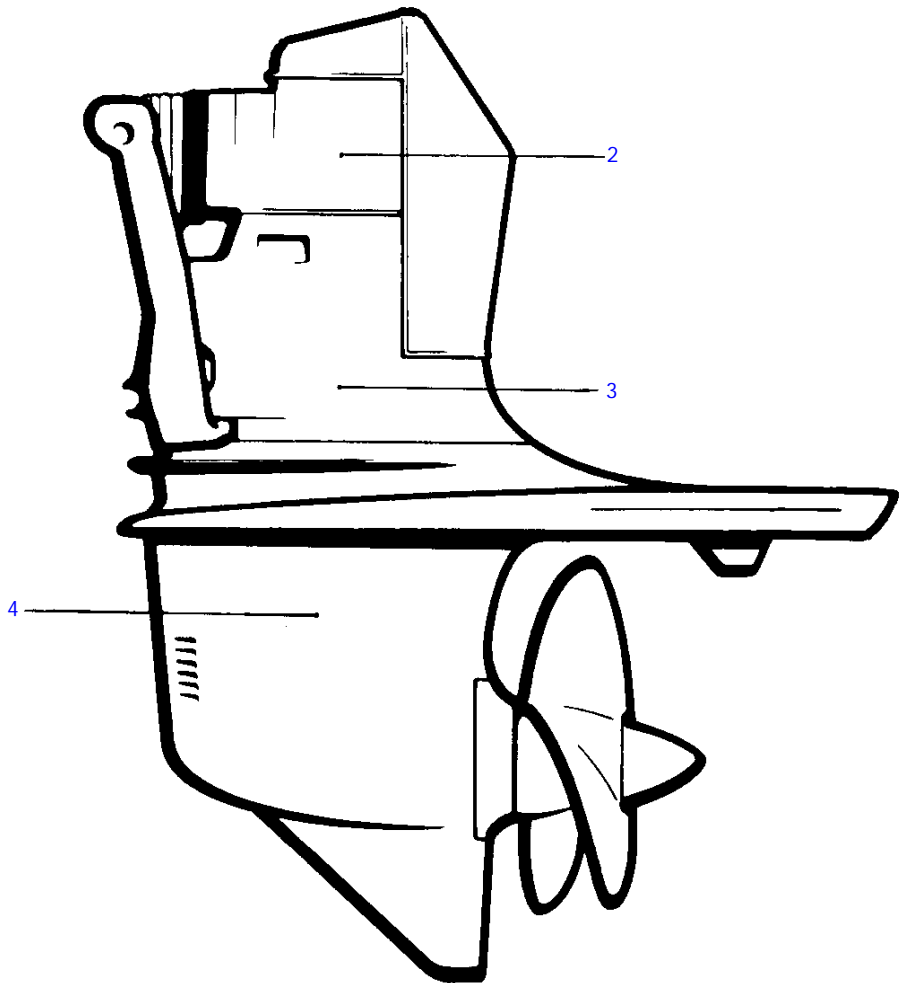


9064

SP-A1

REF	PART NO.	QTY	DESCRIPTION	SEE SEC.	NOTES
1	854015	1	Drive		ALSO AVAILABLE AS AN EXCHANGE PART., RATIO 1,61:1 SN3102051501-
2	854022	1	• Upper gear		ALSO AVAILABLE AS AN EXCHANGE PART.
	3803114	1	• Upper gear, exch, exch		ALSO AVAILABLE AS AN EXCHANGE PART.
				19273	
				19274	
3		1	• • INTERM HOUSING	19275	
4	854038	1	• • Lower gear		ALSO AVAILABLE AS AN EXCHANGE PART.
				19276	
				19278	
		X	GASKET KITS		SEE GROUP 10A

1

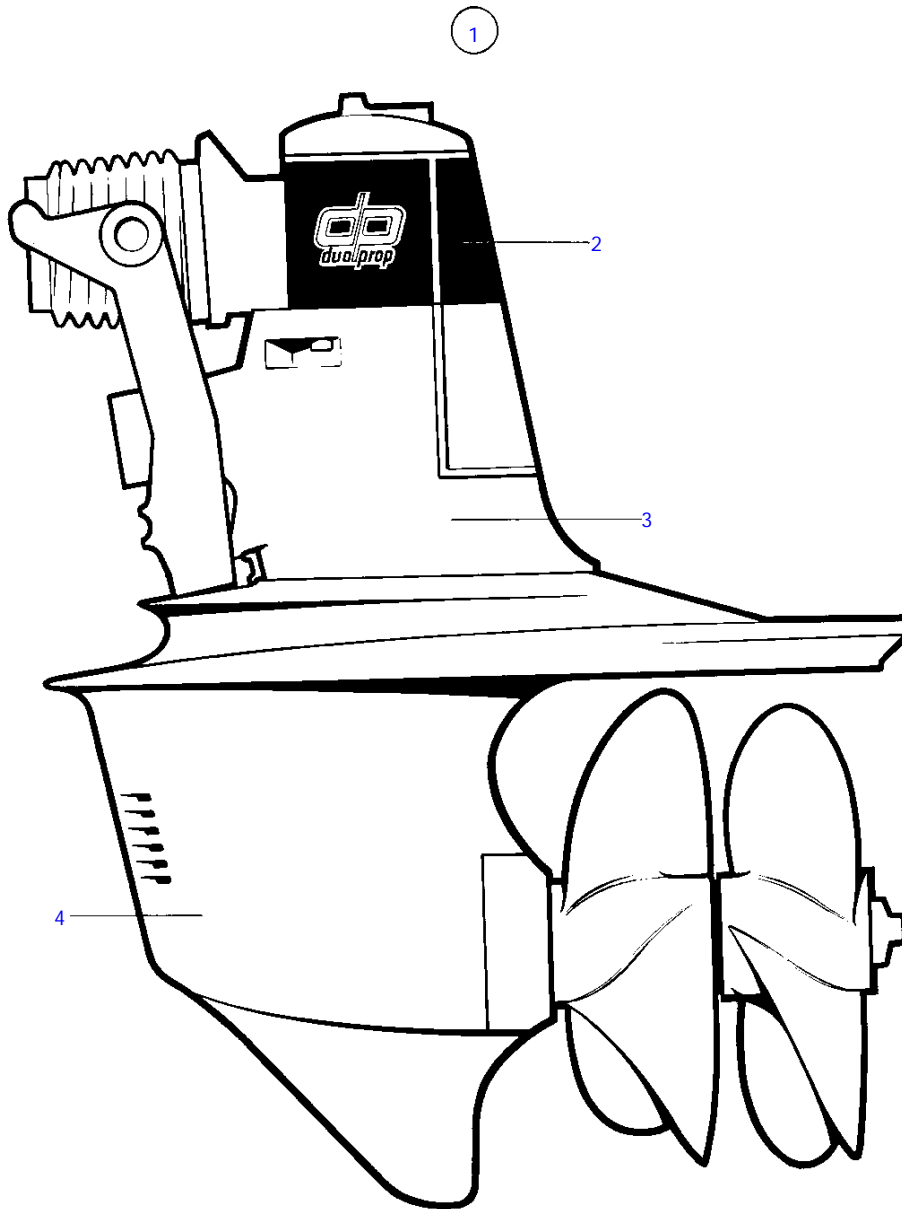


9064

SP-A1

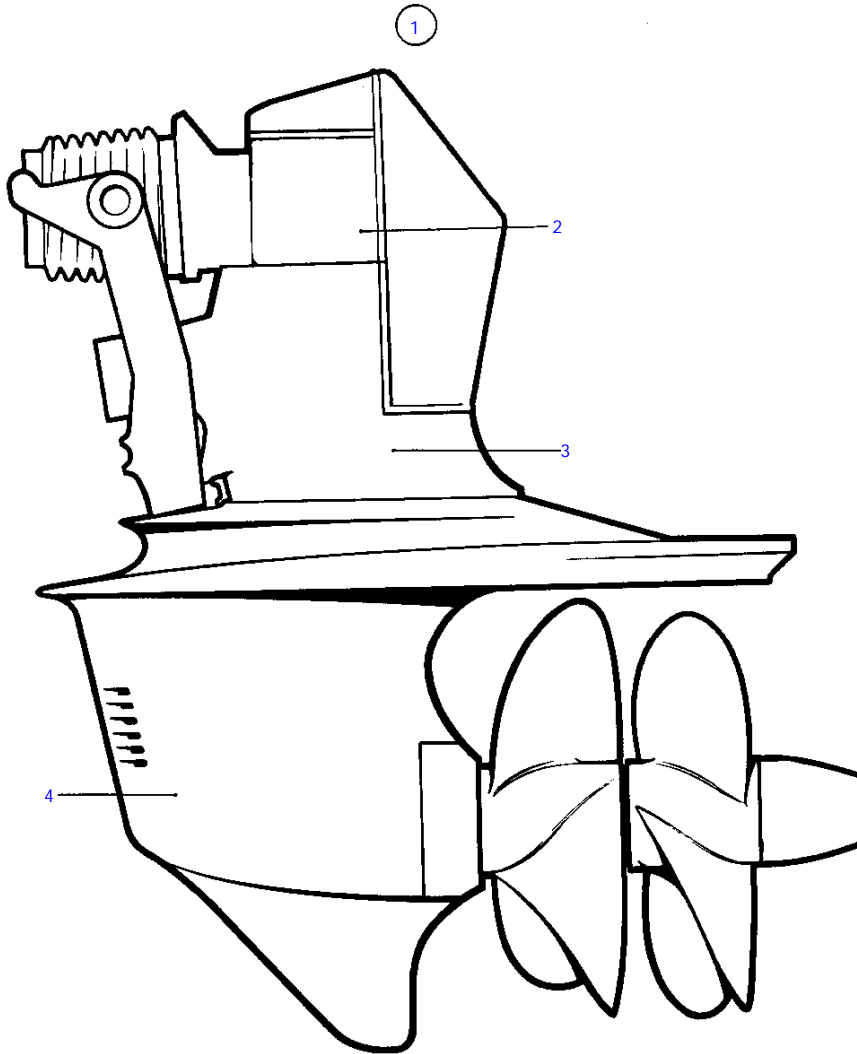
REF	PART NO.	QTY	DESCRIPTION	SEE SEC.	NOTES
1	854634	1	Drive		ALSO AVAILABLE AS AN EXCHANGE PART., RATIO 1,61:1
2	854936	1	Gear		ALSO AVAILABLE AS AN EXCHANGE PART.
3		1	* INTERM HOUSING	19275	
4	854635	1	Lower gear		ALSO AVAILABLE AS AN EXCHANGE PART.
	3803154	1	Lower gear, exch, exch		ALSO AVAILABLE AS AN EXCHANGE PART.
		X	GASKET KITS		SEE GROUP 10A





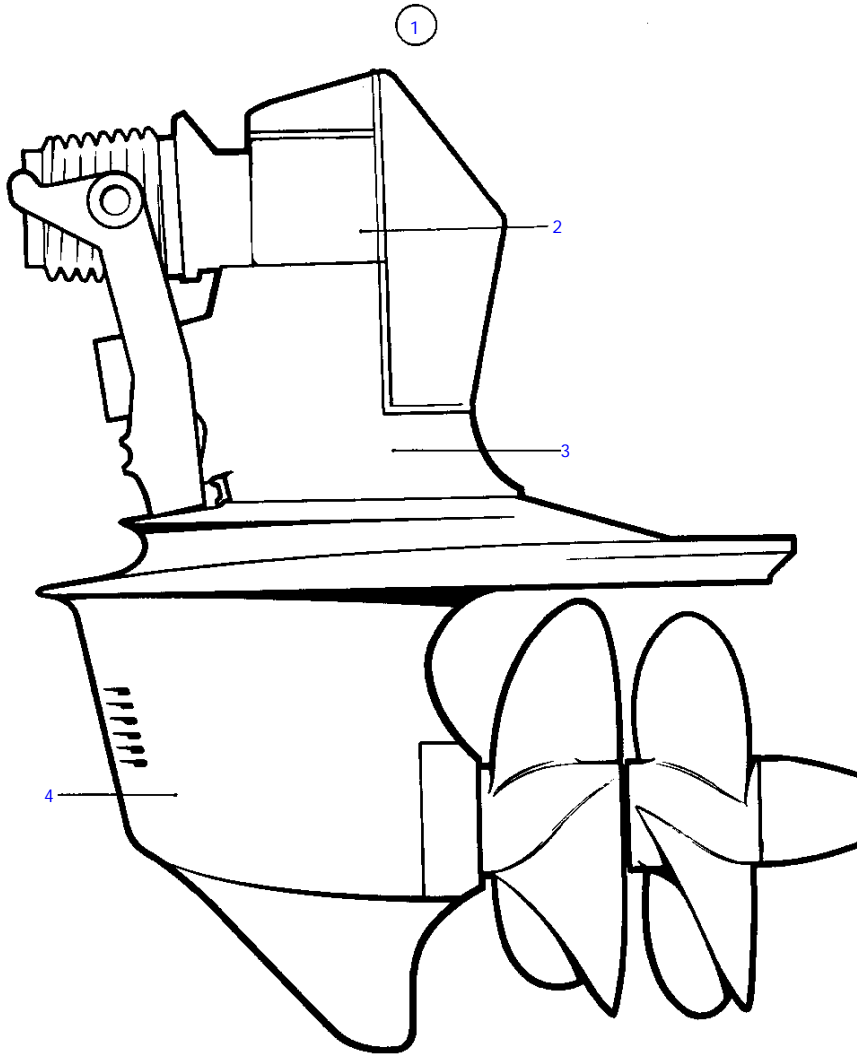
6425

REF	PART NO.	QTY	DESCRIPTION	SEE SEC.	NOTES
1	853549	1	Drive, DP 290A		REPLACED BY DRIVE UNIT DP-A 854020, ALSO AVAILABLE AS AN EXCHANGE PART. SN-3102054500
2	853070	1	• Upper gear, UPPER GEAR UNIT		REPLACED BY UPPER GEAR UNIT 854022, COVER 854036, 1EA SCREW 854661 AND DECAL 854144., ALSO AVAILABLE AS AN EXCHANGE PART., ,
3		1	• • INTERM HOUSING	19291	
4	852408	1	• • Lower gear, LOWER GEAR UNIT	19292	REPLACED BY LOWER GEAR UNIT 854050, ALSO AVAILABLE AS AN EXCHANGE PART., RATIO 2,30:1
		X	GASKET KITS	19272	SEE GROUP 10A



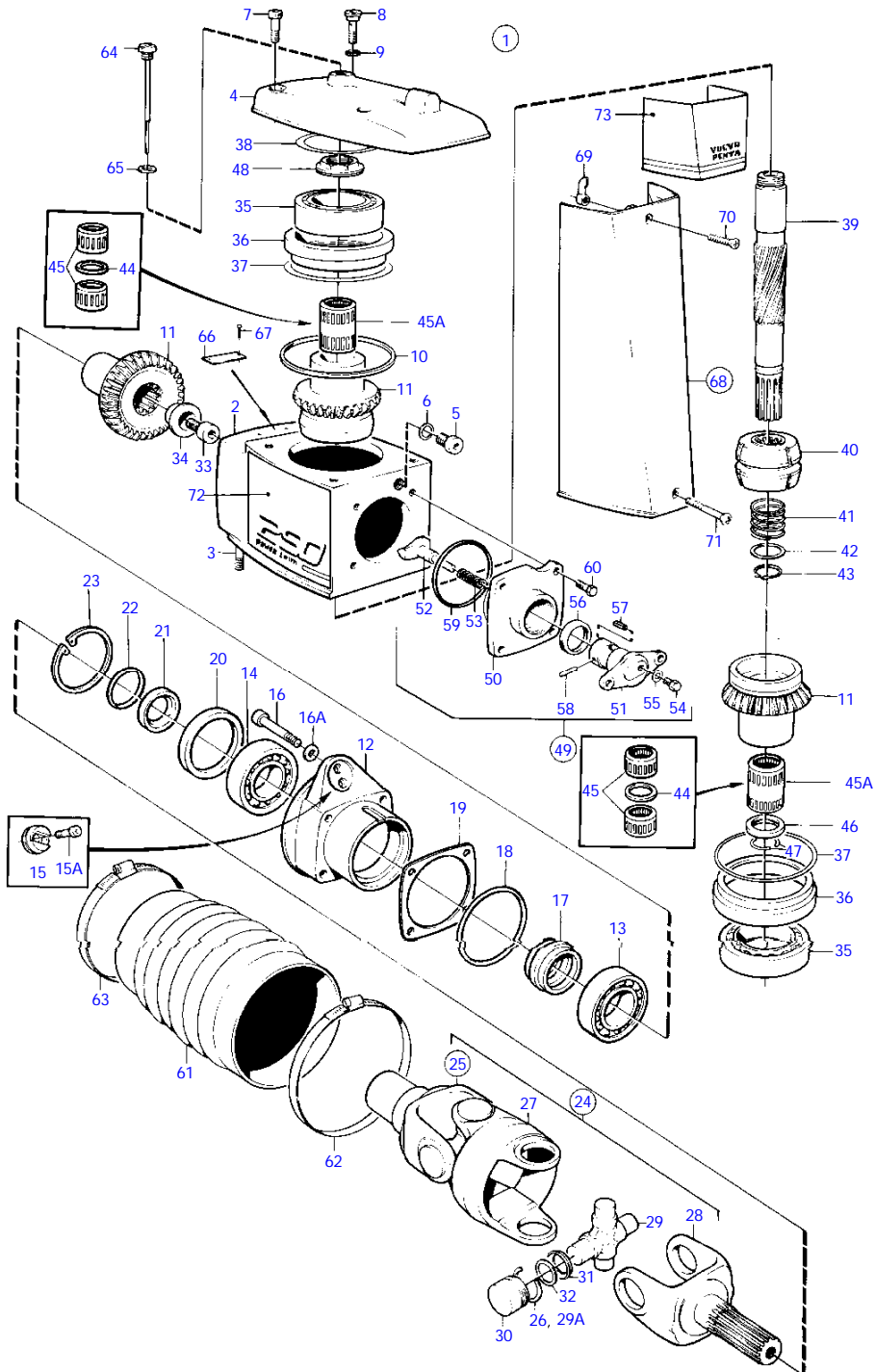
9068

REF	PART NO.	QTY	DESCRIPTION	SEE SEC.	NOTES
1	854020	1	Drive, DP-A		ALSO AVAILABLE AS AN EXCHANGE PART. SN 3102054501-
2	854022	1	• Upper gear, UPPER GEAR UNIT		ALSO AVAILABLE AS AN EXCHANGE PART., ,
	3803114	1	• Upper gear, exch, UPPER GEAR UNIT, exch		ALSO AVAILABLE AS AN EXCHANGE PART., ,
				19279	
3		1	• • INTERM HOUSING	19280	
4	854050		• • Lower gear, LOWER GEAR UNIT		ALSO AVAILABLE AS AN EXCHANGE PART., RATIO 2,30:1
				19281	
		X	GASKET KITS		SEE GROUP 10A



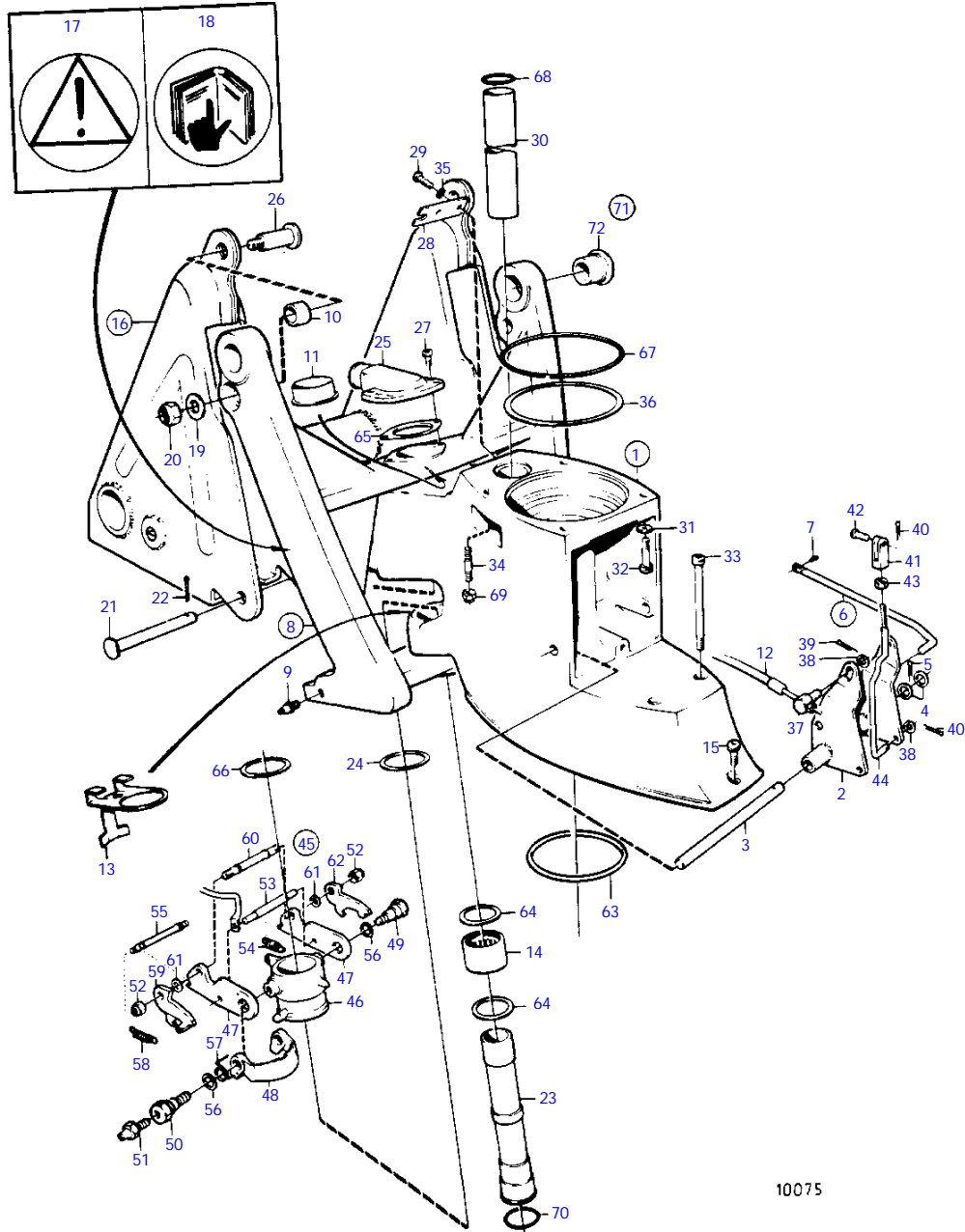
9068

REF	PART NO.	QTY	DESCRIPTION	SEE SEC.	NOTES
1	854640	1	Drive		ALSO AVAILABLE AS AN EXCHANGE PART., RATIO 2,30:1
2	854936	1	• Gear		ALSO AVAILABLE AS AN EXCHANGE PART.
				19282	
3		1	• • INTERM HOUSING	19284	
4	854641	1	• • Lower gear		
				19285	
		X	GASKET KITS		SEE GROUP 10A

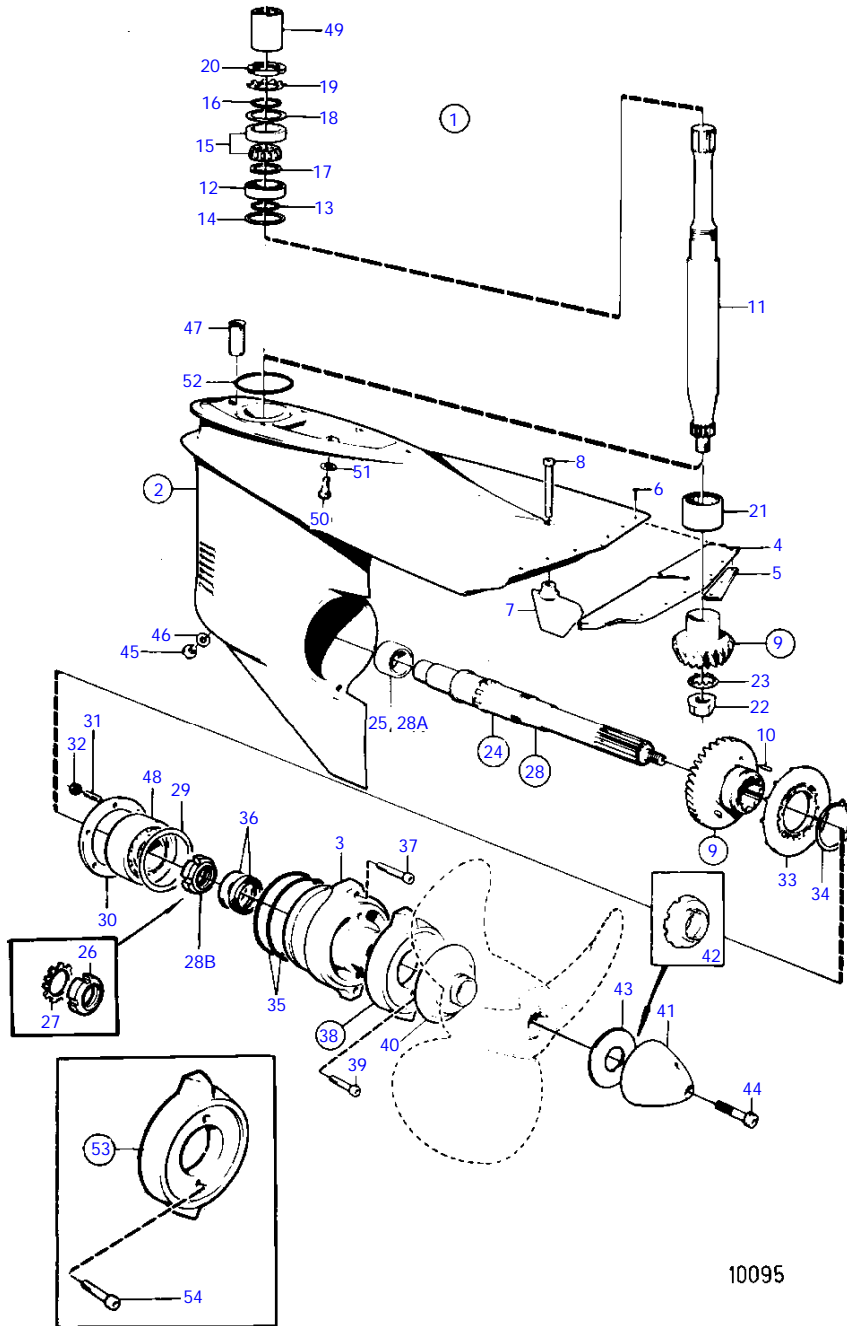


10066

REF	PART NO.	QTY	DESCRIPTION	SEE SEC.	NOTES
1	853070	1	Upper gear		REPLACED BY UPPER GEAR UNIT 854022, COVER 854036, 1EA SCREW 854661 AND DECAL 854144.
2	853041	1	* Housing		WHITE, REPL BY 854023
	854023	1	* Gear housing		gray
3	941814	2	* Stud		
4	832667	1	* Gear housing cover		
5	814179	1	* Plug		
6	897682	1	* Gasket		
7	941807	3	* Hex. socket screw		
8	814643	1	* Hollow screw		
9	955989	1	* O-ring		
10	832669	1	* Gasket		
11	853669	1	* Gear set		
12	853005	1	* Bearing box		WHITE, REPL BY 854025
	854025	1	* Bearing box		gray
13	853949	1	* Roller bearing		(183668)
14	183247	1	* Roller bearing		
15	852705	1	* Pivot pin		
15A	941807	2	* Hex. socket screw		
16	956591	4	* Hex. socket screw		
16A	942598	4	* Washer		
17	853484	1	* Pretensioning sleeve		
18	925095	1	* O-ring		
19	853034	X	* Shim		TH = 0.10mm
	853035	X	* Shim		TH=0,15mm
	853036	X	* Shim		TH = 0.35mm
20	839253	1	* Sealing ring		
21	832675	1	* Washer		
22	956000	1	* O-ring		
23	914538	1	* Snap ring		
24	854303	1	* Universal joint		(853057)
			Bulletin P-44-1-5	P-44-1-5-EN	U-joints
25	853561	1	* * Joint fork kit		
			Bulletin P-44-1-5	P-44-1-5-EN	U-joints
26	853331	2	* * * Lock ring		
27	897706	1	* * * Intermediate section		
28	854302	1	* * * Fork		(839026)
			Bulletin P-44-1-5	P-44-1-5-EN	U-joints
29	853255	2	* * * Spider		
29A	853331	8	* * * * Lock ring		
30		8	* * * * NEEDLE BEARING		
31		8	* * * * PROTECTOR RING		
32		8	* * * * CORK RING		
33	854201	1	* Screw		(851293)
34	853026	1	* Washer		
35	853542	2	* Ball bearing		
36	832644	2	* Bearing sleeve		
37	943869	X	* Shim		TH = 0.05 MM
	946179	X	* Shim		TH = 0.10mm
	943870	X	* Shim		TH = 0.20mm
38	943252	X	* Shim		TH = 0.05 MM (967352)
	943866	X	* Shim		TH = 0.10mm
	943867	X	* Shim		TH = 0.20mm
	967557	X	* Shim		TH = 0,30mm
	943868	X	* Shim		TH = 0.40 mm
39	897385	1	* Shaft		
40	854297	1	* Sliding sleeve		(814601)
			Bulletin P-44-1-8	P-44-1-8-EN	Shift mechanism, shift cone and shoe
			Bulletin P-44-1-18	P-44-1-18-EN	Shift Cone
41	813970	1	* Spring		
42	26411	1	* Shim		
43	951077	1	* Snap ring		
44	897308	2	* Spacer ring		EARLY TYPE, OBSOLETE PART
45	181359	4	* Needle roller assemb		EARLY TYPE, REPL BY 85381
45A	853819	2	* Needle bearing		
46	897313	1	* Spacer ring		
47	897312	2	* Lock ring		
48	839332	1	* Nut		TH = 2,00 MM
	839333	1	* Nut		TH = 2,37 MM
	839334	1	* Nut		TH = 2,65 MM
49	839504	1	* Shift mechanism		
50	839505	1	* * Bearing housing		
51	897816	1	* * Eccentric piston		
			Bulletin P-44-1-7	P-44-1-7-EN	Shift mechanism, eccentric piston
52	814603	1	* * Dog		
53	814184	1	* * Spring		
54	897711	1	* * Screw		
55	897871	X	* * Shim		
56	853868	1	* * Sealing ring		
57	951924	1	* * Spring pin		
58	942871	1	* * Clevis pin		
59	925093	1	* * O-ring		
60	940169	4	* Hexagon screw		
61	875826	1	* Bellows kit		(875256)
62	853013	1	* * Hose clamp		
63	853012	1	* * Hose clamp		
64	839351	1	* Oil dipstick		
65	955974	1	* O-ring		
66	853706	1	* Type plate		
67	804269	2	* Drive screw		

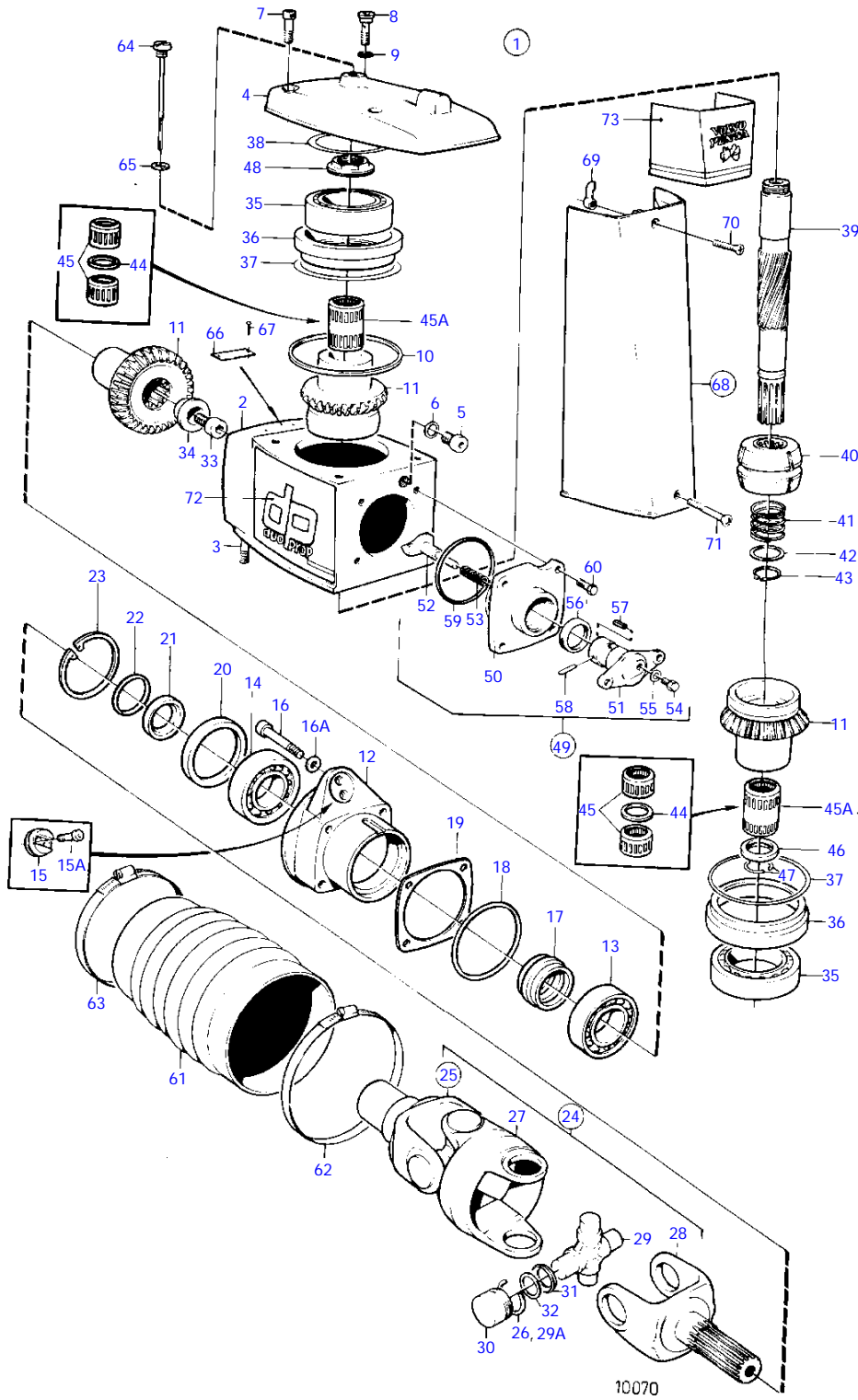


REF	PART NO.	QTY	DESCRIPTION	NOTES
1	854033	1	Intermediate housing	
2	897829	1	* Gear yoke	
3	897447	1	* Shaft	
4	897511	2	* Washer	
5	17253	1	* Split pin	
6	851412	1	* Reverse locking rod	
7	967556	1	* * Spring pin	
8	854100	1	* Suspension fork	
9	940194	1	* Lubricating nipple	
10	852912	2	* Bushing	
11	853062	1	* Bearing bushing	
12		X	CONTROL CABLE	SEE GROUP 9
13	853967	1	Guide washer	
14	183391	1	Needle roller bushin	
15	941809	1	Hex. socket screw	
16	854550	1	Cylinder anchorage	(854034)
17	853717	1	* Decal	
18	853716	1	* Decal	OBSOLETE PART
19	853071	2	Washer	
20	946672	2	Lock nut	
21	853309	2	Clevis pin	
22	967707	2	Split pin	
23	814386	1	Steering knuckle	
24	897696	2	Washer	
25	854031	1	Hose connection	
26	853308	2	Shoulder screw	
27	941813	2	Hex. socket screw	
28	853078	1	Cable attachment	
29	940168	2	Hexagon screw	
30	897644	1	Tube	
31	853095	2	Washer	
32	959456	2	Hex. socket screw	
33	941808	2	Hex. socket screw	
34	941814	2	Stud	
35	940191	2	Washer	
36	943252	X	Shim	TH = 0.05 MM
	943866	X	Shim	TH = 0.10mm
	943867	X	Shim	TH = 0.20mm
	967557	X	Shim	TH = 0.30mm
	943868	X	Shim	TH = 0.40mm
37	804312	1	Cube	
38	940191	2	Washer	
39	17276	1	Split pin	
40	17253	2	Split pin	
41	813954	1	Fork	
42	192662	1	Split pin	
43	940190	1	Hexagon nut	
44	897448	1	Control rod	
45	854035	1	Latch	
46	851402	1	* Bearing sleeve	
47	814391	2	* Latch	
48	851403	1	* Lock brace	
49	851423	1	* Spindle	
50	854344	1	* Spindle	
51	940194	1	* Lubricating nipple	
52	943197	2	* Lock nut	INCLUDED IN REPAIR KIT 876265 FOR ASTERN LEVER.
53	851424	1	* Stop arm	INCLUDED IN REPAIR KIT 876265 FOR ASTERN LEVER.
54	832534	1	* Spring	INCLUDED IN REPAIR KIT 876265 FOR ASTERN LEVER.
55	814399	1	* Shaft	INCLUDED IN REPAIR KIT 876265 FOR ASTERN LEVER.
56	943194	2	* Washer	INCLUDED IN REPAIR KIT 876265 FOR ASTERN LEVER.
57	814396	1	* Spring	INCLUDED IN REPAIR KIT 876265 FOR ASTERN LEVER.
58	814332	2	* Spring	INCLUDED IN REPAIR KIT 876265 FOR ASTERN LEVER.
59	814392	1	* Spring hook	INCLUDED IN REPAIR KIT 876265 FOR ASTERN LEVER.
60	814419	1	* Shaft	INCLUDED IN REPAIR KIT 876265 FOR ASTERN LEVER.
61	814422	2	* Spacer washer	INCLUDED IN REPAIR KIT 876265 FOR ASTERN LEVER.
62	814393	1	* Spring hook	INCLUDED IN REPAIR KIT 876265 FOR ASTERN LEVER.
63	925256	1	O-ring	INCLUDED IN COMPLETE DRIVE UNIT, INCLUDED IN REPAIR KIT 876265 FOR ASTERN LEVER.
64	181620	2	Sealing ring	INCLUDED IN REPAIR KIT 876265 FOR ASTERN LEVER.
65	814356	1	Sealing	INCLUDED IN REPAIR KIT 876265 FOR ASTERN LEVER.
66	814390	1	Plastic washer	INCLUDED IN REPAIR KIT 876265 FOR ASTERN LEVER.
67	925259	1	O-ring	INCLUDED IN REPAIR KIT 876265 FOR ASTERN LEVER.
68	125017	2	O-ring	INCLUDED IN REPAIR KIT 876265 FOR ASTERN LEVER.
69	941885	2	Lock nut	INCLUDED IN REPAIR KIT 876265 FOR ASTERN LEVER.
70	941820	1	O-ring	INCLUDED IN REPAIR KIT 876265 FOR ASTERN LEVER.
71	876279	1	Bushing kit	
72	853223	2	* Bushing, BUSHING	INCLUDED IN REPAIR KIT 876265 FOR ASTERN LEVER., REPL BY 876279
	876265	1	* * Repair kit, ASTERN LEVER	(876075)

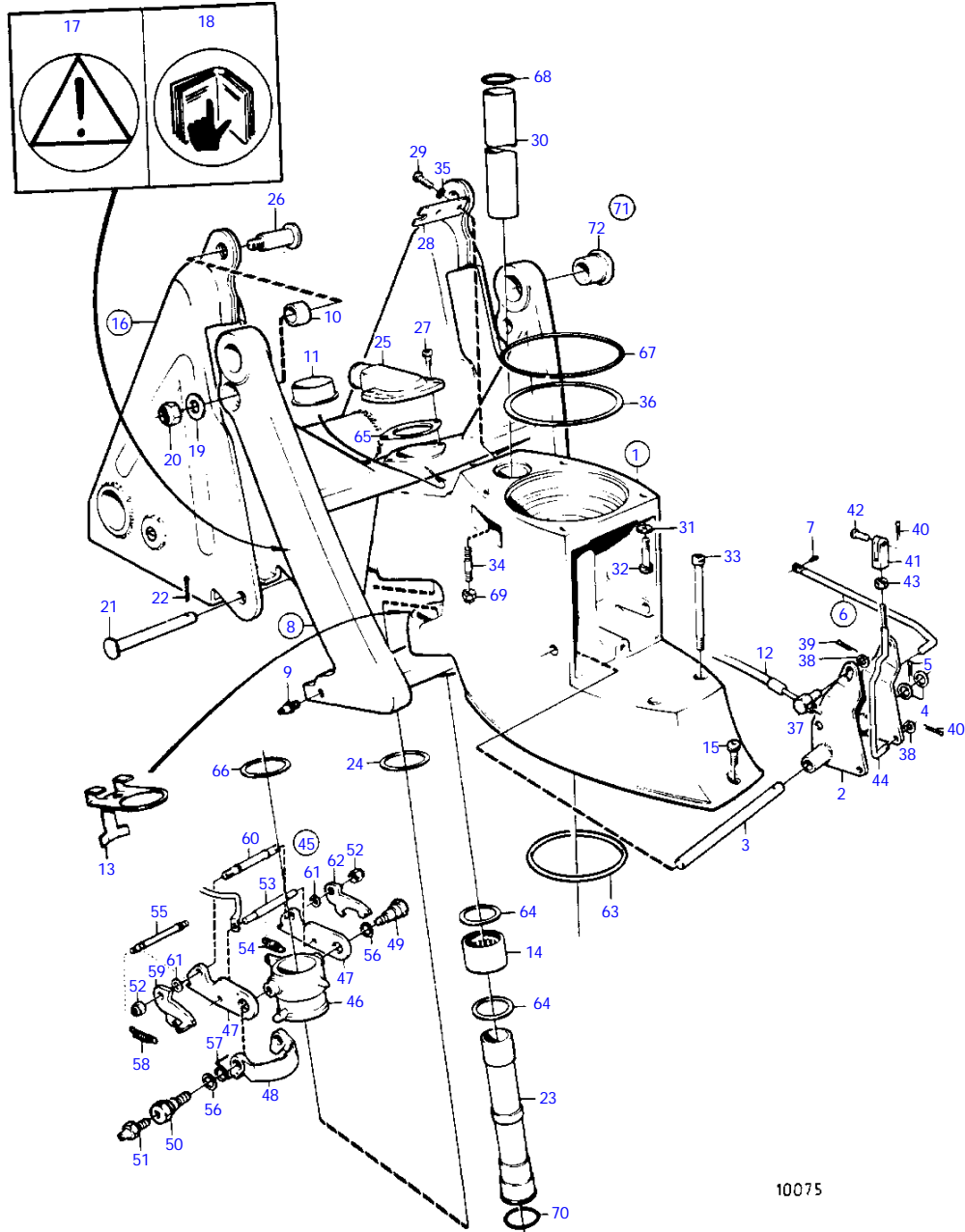


10095

REF	PART NO.	QTY	DESCRIPTION	NOTES
1	851875	1	Lower gear	REPLACED BY LOWER GEAR UNIT 854038.
2	851877	1	* Housing	WHITE, REPL BY 854042
	854042	1	* Gear housing	gray
3	839389	1	* * Bearing housing	WHITE, REPL BY 854044
	854044	1	* * Bearing housing	gray
4	852644	1	* * Check valve	
5	852643	2	* * Attaching plate	
6	948338	6	* * Blind rivet	
7	851452	1	* Fin	WHITE, REPL BY 854040
	854040	1	* Fin	gray
8	959440	1	* Hex. socket screw	
9	832624	1	* Gear set	RATIO 1,61:1
10	948407	2	* * Spring pin	
11	832555	1	* Countershaft	
12	183374	1	* Ball bearing	
13	941832	X	* Shim	TH = 0,05 MM
	941833	X	* Shim	TH = 0.20mm
14	832191	1	* Gasket	
15	11072	1	* Roller bearing	
16	897387	1	* Tensioning ring	
17	944970	X	* Shim	TH = 1,60 MM
18	944522	X	* Shim	TH = 0,05 MM
	42981	X	* Shim	TH = 0.10mm
	42980	X	* Shim	TH = 0.35mm
19	907023	1	* Lock washer	
20	906633	1	* Round nut	
21	183497	1	* Needle bearing	
22	814164	1	* Nut	
23	814165	1	* Washer	
24	875524	1	* Propeller shaft	REPL BY 854675
25	183390	1	* * Needle roller bushin	
26	906635	1	* Round nut	FOR PROPELLER SHAFT 875524 WITH KEYGROOVE., OBSOLETE PART
27	907025	1	* Lock washer	FOR PROPELLER SHAFT 875524 WITH KEYGROOVE.
28	854675	1	* Propeller shaft	
28A	183390	1	* * Needle roller bushin	
28B	969073	1	* * Round nut	FOR PROPELLER SHAFT 854675 WITHOUT KEYGROOVE.
29	944561	X	* Shim	TH = 0,05 MM
	944562	X	* Shim	TH = 0.10mm
	851767	X	* Shim	TH = 0.20mm
30	832725	1	* Thrust ring	
31	953449	6	* Stud	
32	955825	6	* Hexagon nut	
33	832548	1	* Pump rotor	
34	914474	1	* Snap ring	
35	925261	2	* O-ring	
36	897426	2	* Sealing ring	
37	941812	2	* Hex. socket screw	
38	875815	1	* Zinc ring kit	
39	941809	2	* * Hex. socket screw	
40	839423	1	* Line cutter	
41	850785	1	* Spinner	WHITE, REPL BY 854045
	854045	1	* Spinner	gray
42	851261	1	* Spacer washer	
43	850888	1	* Plastic washer	
44	850889	1	* Screw	
45	839354	1	* Plug	
46	955974	1	* O-ring	
47	814482	1	* Oil strainer	
48	854541	1	* Ball bearing	(181366)
49	850304	1	Splined sleeve	INCLUDED IN COMPLETE AQ 290 DRIVE UNIT.
50	941810	4	Hex. socket screw	INCLUDED IN COMPLETE AQ 290 DRIVE UNIT.
51	853095	4	Washer	INCLUDED IN COMPLETE AQ 290 DRIVE UNIT.
52	925256	1	O-ring	INCLUDED IN COMPLETE AQ 290 DRIVE UNIT.
53	876137	1	Magnesium kit	TO BE USED IN FRESH-WATER.
54	941809	2	* Hex. socket screw	

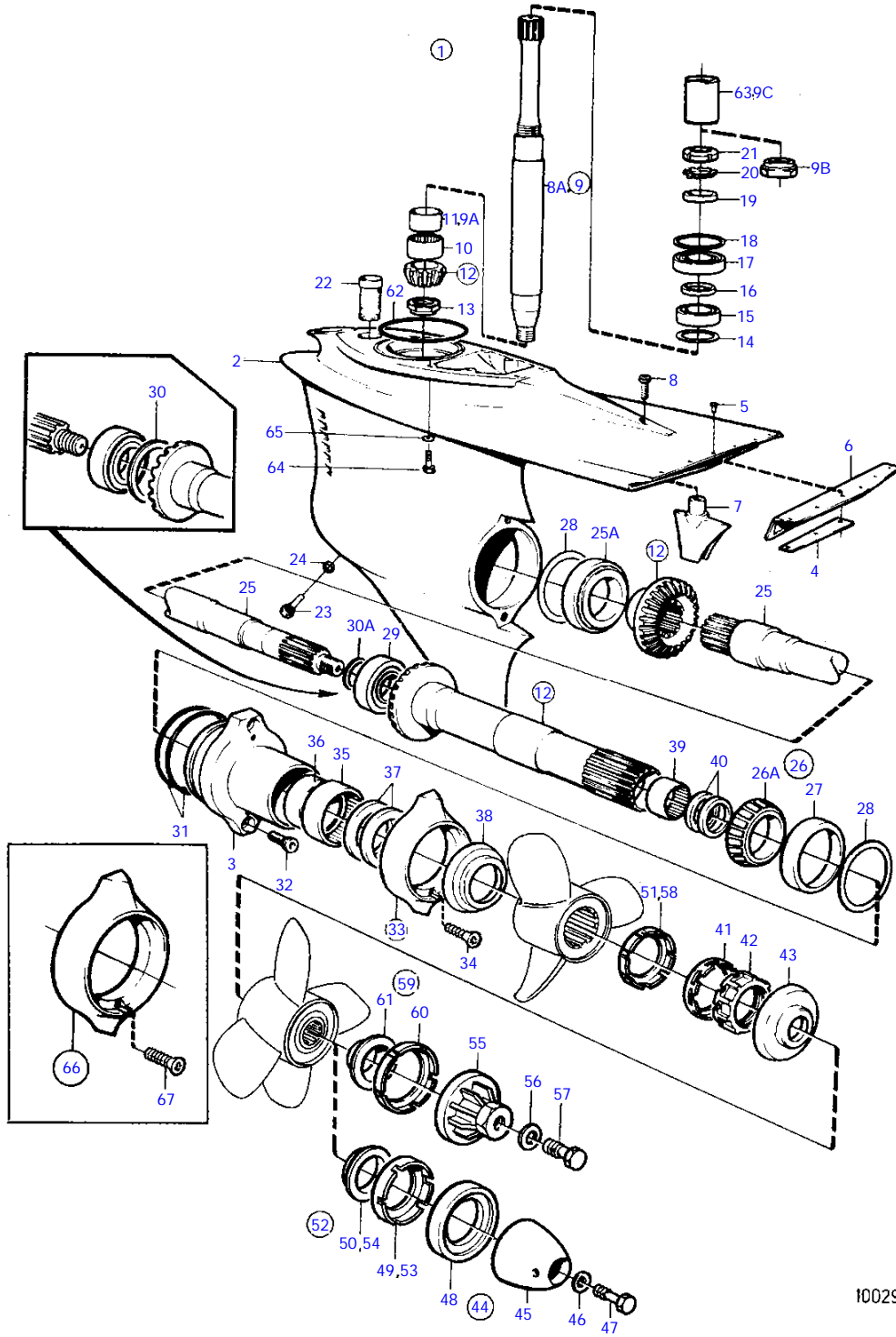


REF	PART NO.	QTY	DESCRIPTION	SEE SEC.	NOTES
1	853070	1	Upper gear		REPLACED BY UPPER GEAR UNIT 854022, COVER 854036, 1EA SCREW 854661 AND DECAL 854144.
2	853041	1	* Housing		WHITE, REPL BY 854023
	854023	1	* Gear housing		gray, REPL BY 854571
	854571	1	* Gear housing		gray
3	941814	2	* Stud		
4	832667	1	* Gear housing cover		
5	814179	1	* Plug		
6	897682	1	* Gasket		
7	941807	3	* Hex. socket screw		
8	814643	1	* Hollow screw		
9	955989	1	* O-ring		
10	832669	1	* Gasket		
11	853669	1	* Gear set		
12	853005	1	* Bearing box		WHITE, REPL BY 854025
	854025	1	* Bearing box		gray
13	853949	1	* Roller bearing		(183668)
14	183247	1	* Roller bearing		
15	852705	1	* Pivot pin		
15A	941807	2	* Hex. socket screw		
16	956591	4	* Hex. socket screw		
16A	942598	4	* Washer		
17	853484	1	* Pretensioning sleeve		
18	925095	1	* O-ring		
19	853034	X	* Shim		TH = 0.10mm
	853035	X	* Shim		TH=0,15mm
	853036	X	* Shim		TH = 0.35mm
20	839253	1	* Sealing ring		
21	832675	1	* Washer		
22	956000	1	* O-ring		
23	914538	1	* Snap ring		
24	854303	1	* Universal joint		(853057)
			Bulletin P-44-1-5	P-44-1-5-EN	U-joints
25	853561	1	* * Joint fork kit		
			Bulletin P-44-1-5	P-44-1-5-EN	U-joints
26	853331	2	* * * Lock ring		
27	897706	1	* * Intermediate section		
28	854302	2	* * Fork		(839026)
			Bulletin P-44-1-5	P-44-1-5-EN	U-joints
29	853255	2	* * Spider		
29A	853331	8	* * * Lock ring		
30		8	* * * NEEDLE BEARING		
31		8	* * * PROTECTOR RING		
32		8	* * * CORK RING		
33	854201	1	* Screw		(851293)
34	853026	1	* Washer		
35	853542	2	* Ball bearing		
36	832644	2	* Bearing sleeve		
37	943869	X	* Shim		TH = 0,05 MM
	946179	X	* Shim		TH = 0.10mm
	943870	X	* Shim		TH = 0.20mm
38	943252	X	* Shim		TH = 0,05 MM (967352)
	943866	X	* Shim		TH = 0.10mm
	943867	X	* Shim		TH = 0.20mm
	967557	X	* Shim		TH = 0,30mm
	943868	X	* Shim		TH = 0.40 mm
39	897385	1	* Shaft		
40	854297	1	* Sliding sleeve		(814601)
			Bulletin P-44-1-8	P-44-1-8-EN	Shift mechanism, shift cone and shoe
			Bulletin P-44-1-18	P-44-1-18-EN	Shift Cone
41	813970	1	* Spring		
42	26411	1	* Shim		
43	951077	1	* Snap ring		
44	897308	2	* Spacer ring		EARLY TYPE, OBSOLETE PART
45	181359	4	* Needle roller assemb		EARLY TYPE, REPL BY 85381
45A	853819	2	* Needle bearing		
46	897313	1	* Spacer ring		
47	897312	2	* Lock ring		
48	839332	1	* Nut		TH = 2,00 MM
	839333	1	* Nut		TH = 2,37 MM
	839334	1	* Nut		TH = 2,65 MM
49	839504	1	* Shift mechanism		
50	839505	1	* * Bearing housing		
51	897816	1	* * Eccentric piston		
			Bulletin P-44-1-7	P-44-1-7-EN	Shift mechanism, eccentric piston
52	814603	1	* * Dog		
53	814184	1	* * Spring		
54	897711	1	* * Screw		
55	897871	X	* * Shim		
56	853868	1	* * Sealing ring		
57	951924	1	* * Spring pin		
58	942871	1	* * Clevis pin		
59	925093	1	* * O-ring		
60	940169	4	* Hexagon screw		
61	875826	1	* Bellows kit		(875256)
62	853013	1	* * Hose clamp		
63	853012	1	* * Hose clamp		
64	839351	1	* Oil dipstick		
65	955974	1	* O-ring		
66	853706	1	* Type plate		



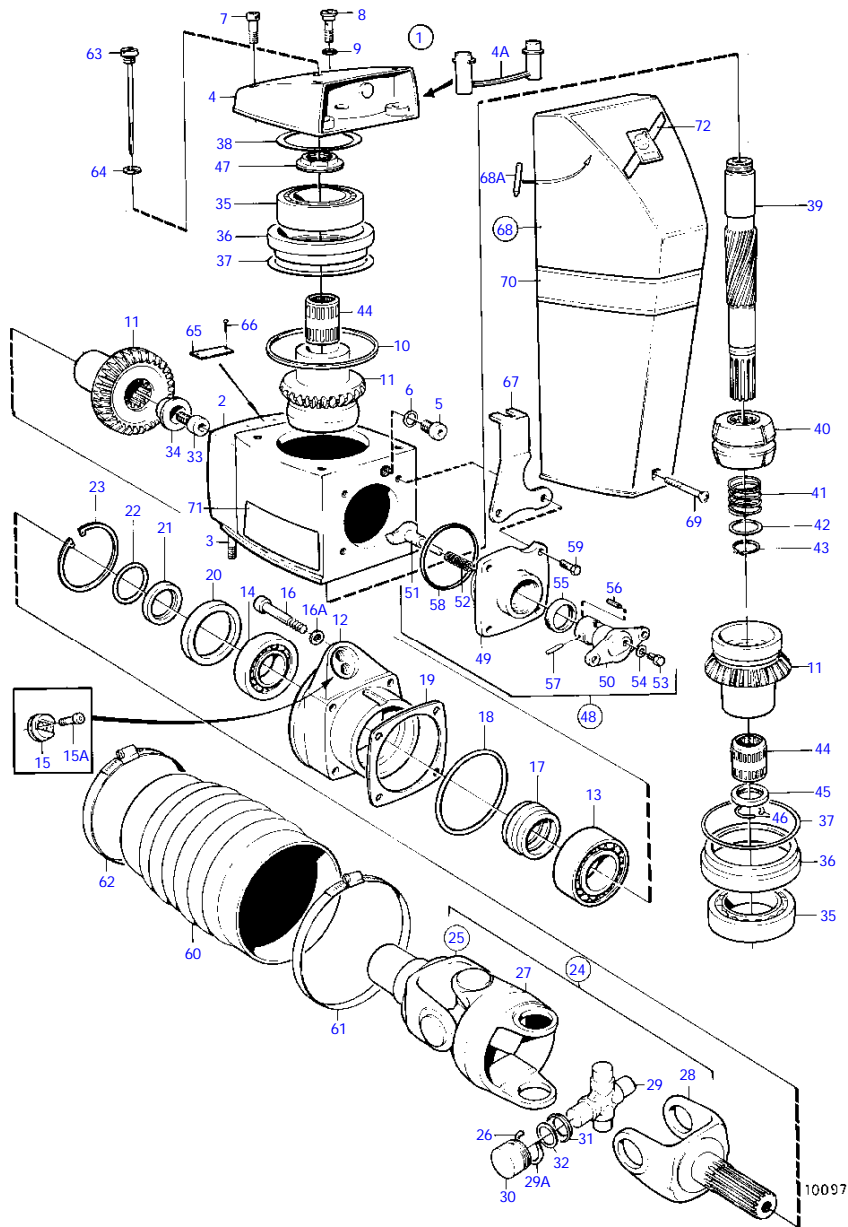
10075

REF	PART NO.	QTY	DESCRIPTION	NOTES
1	854937	1	Intermediate housing	
2	897829	1	* Gear yoke	
3	897447	1	* Shaft	
4	897511	2	* Washer	
5	17253	1	* Split pin	
6	851412	1	* Reverse locking rod	
7	967556	1	* * Spring pin	
8	854100	1	Suspension fork	
9	940194	1	* Lubricating nipple	
10	852912	2	* Bushing	
11	853062	1	* Bearing bushing	
12		X	CONTROL CABLE	SEE GROUP 9
13	853967	1	Guide washer	
14	183391	1	Needle roller bushin	
15	941809	1	Hex. socket screw	
16	854550	1	Cylinder anchorage	
17	853717	1	* Decal	
18	853716	1	* Decal	OBSOLETE PART
19	853071	2	Washer	
20	946672	2	Lock nut	
21	853309	2	Clevis pin	
22	967707	2	Split pin	
23	814386	1	Steering knuckle	
24	897696	2	Washer	
25	854031	1	Hose connection	
26	853308	2	Shoulder screw	
27	941813	2	Hex. socket screw	
28	853078	1	Cable attachment	
29	940168	2	Hexagon screw	
30	897644	1	Tube	
31	853095	2	Washer	
32	959456	2	Hex. socket screw	
33	941808	2	Hex. socket screw	
34		2	STUD BOLT	INCLUDED IN UPPER GEAR UNIT.
35	940191	2	Washer	
36	941826	X	Shim	TH = 0.05 MM
	941827	X	Shim	TH = 0.20mm
	948230	X	Shim	TH = 0.35mm
37	804312	1	Cube	
38	940191	2	Washer	
39	17276	1	Split pin	
40	17253	2	Split pin	
41	813954	1	Fork	
42	192662	1	Split pin	
43	940190	1	Hexagon nut	
44	897448	1	Control rod	
45	854035	1	Latch	
46	851402	1	* Bearing sleeve	
47	814391	2	* Latch	
48	851403	1	* Lock brace	
49	851423	1	* Spindle	
50	854344	1	* Spindle	
51	940194	1	* Lubricating nipple	
52	943197	2	* Lock nut	INCLUDED IN REPAIR KIT 876265 FOR ASTERN LEVER.
53	851424	1	* Stop arm	INCLUDED IN REPAIR KIT 876265 FOR ASTERN LEVER.
54	832534	1	* Spring	INCLUDED IN REPAIR KIT 876265 FOR ASTERN LEVER.
55	814399	1	* Shaft	INCLUDED IN REPAIR KIT 876265 FOR ASTERN LEVER.
56	943194	2	* Washer	INCLUDED IN REPAIR KIT 876265 FOR ASTERN LEVER.
57	814396	1	* Spring	INCLUDED IN REPAIR KIT 876265 FOR ASTERN LEVER.
58	814332	2	* Spring	INCLUDED IN REPAIR KIT 876265 FOR ASTERN LEVER.
59	814392	1	* Spring hook	INCLUDED IN REPAIR KIT 876265 FOR ASTERN LEVER.
60	814419	1	* Shaft	INCLUDED IN REPAIR KIT 876265 FOR ASTERN LEVER.
61	814422	2	* Spacer washer	INCLUDED IN REPAIR KIT 876265 FOR ASTERN LEVER.
62	814393	1	* Spring hook	INCLUDED IN REPAIR KIT 876265 FOR ASTERN LEVER.
63	925256	1	O-ring	INCLUDED IN COMPLETE DRIVE UNIT, INCLUDED IN REPAIR KIT 876265 FOR ASTERN LEVER.
64	181620	2	Sealing ring	INCLUDED IN REPAIR KIT 876265 FOR ASTERN LEVER.
65	814356	1	Sealing	INCLUDED IN REPAIR KIT 876265 FOR ASTERN LEVER.
66	814390	1	Plastic washer	INCLUDED IN REPAIR KIT 876265 FOR ASTERN LEVER.
67	925259	1	O-ring	INCLUDED IN REPAIR KIT 876265 FOR ASTERN LEVER.
68	125017	2	O-ring	INCLUDED IN REPAIR KIT 876265 FOR ASTERN LEVER.
69	941885	2	Lock nut	INCLUDED IN REPAIR KIT 876265 FOR ASTERN LEVER.
70	941820	1	O-ring	INCLUDED IN REPAIR KIT 876265 FOR ASTERN LEVER.
71	876279	1	Bushing kit	
72	853223	2	* Bushing, BUSHING	INCLUDED IN REPAIR KIT 876265 FOR ASTERN LEVER., REPL BY 876279
	876265	1	* * Repair kit, REV TILT INH.	(876075)

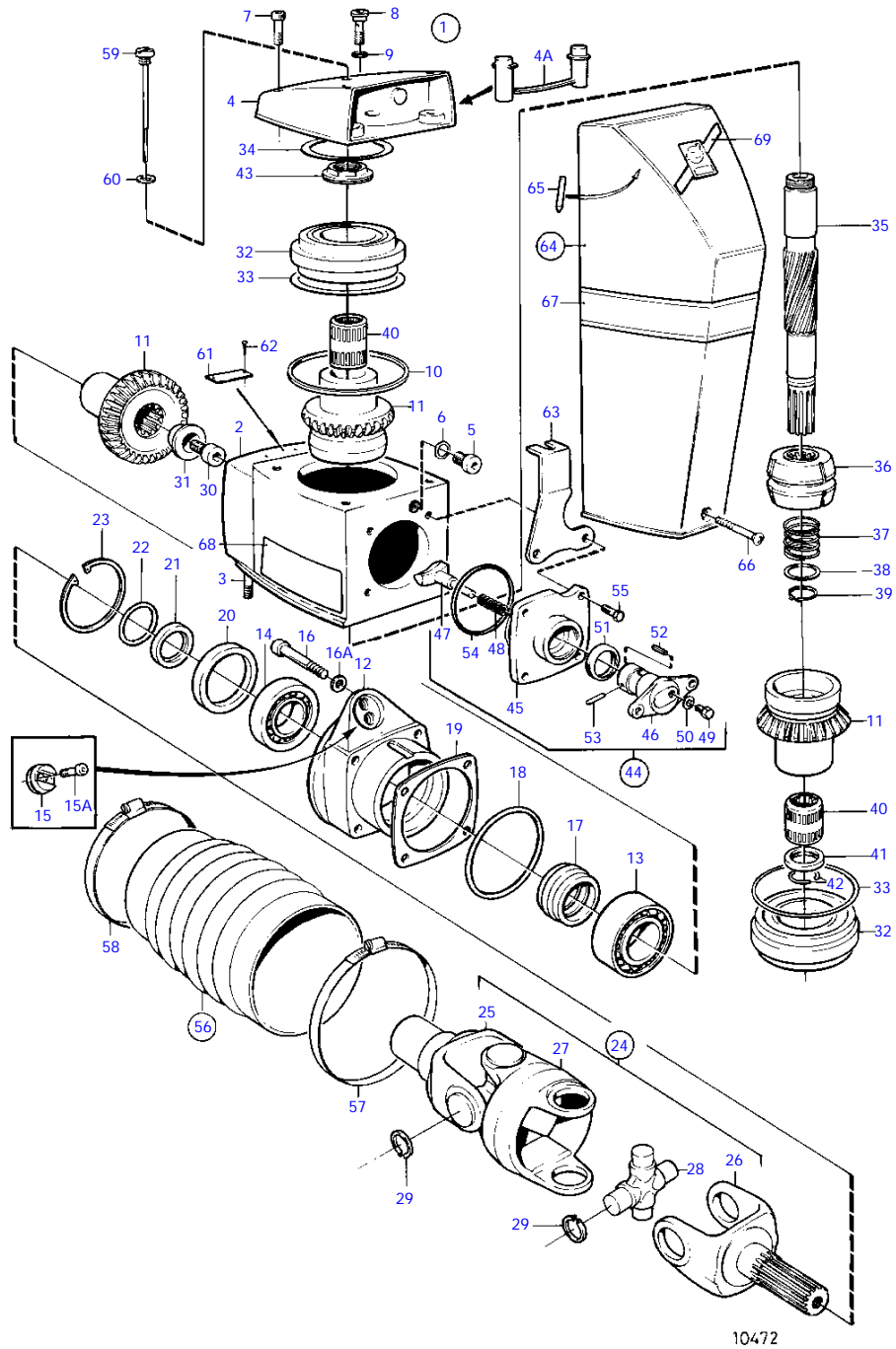


10029

REF	PART NO.	QTY	DESCRIPTION	SEE SEC.	NOTES
1	852408	1	Lower gear		REPLACED BY LOWER GEAR UNIT 854050, RATIO. 2.30:1
2	852194	1	* Housing		WHITE, REPL BY 854051
	854051	1	* Housing		gray
3	852456	1	** Bearing housing		WHITE, REPL BY 854053
	854053	1	** Bearing housing		gray
4	852643	2	** Attaching plate		
5	948338	6	** Blind rivet		
6	852644	1	** Check valve		
7	852646	1	* Fin		WHITE, REPL BY 854054
	854054	1	* Fin		gray
8	941817	1	* Hex. socket screw		
8A	852183	1	* Countershaft		REPL BY 854611
9	854611	1	* Countershaft		
9A	184682	1	** Inner ring		FOR 854611
9B	969071	1	** Round nut		FOR 854611
9C	854553	1	** Splined sleeve		FOR 854611
			Bulletin P-44-1-6	P-44-1-6-EN	Lower Gear Unit
10	184654	1	* Needle roller bushin		
11	184682	1	* Inner ring		FOR 852183
12	852380	1	* Drive gear set		RATIO 2.30:1
13	852212	1	* Nut		
14	941832	X	* Shim		TH = 0,05 MM
	941833	X	* Shim		TH = 0.20mm
15	183374	1	* Ball bearing		
16	944970	X	* Shim		
17	11072	1	* Roller bearing		
18	944522	X	* Shim		TH = 0,05 MM
	42981	X	* Shim		TH = 0.10mm
	968057	X	* Shim		TH = 0.20mm
	42980	X	* Shim		TH = 0.35mm
19	897387	1	* Tensioning ring		
20	907023	1	* Lock washer		
21	906633	1	* Round nut		FOR 852183
22	814482	1	* Oil strainer		
23	852904	1	* Magnetic plug		
24	955974	1	* O-ring		
25	852181	1	* Propeller shaft		
25A	11044	1	* Roller bearing		
26	184765	1	* Roller bearing, COMPL.		
26A	184690	1	** Inner ring		REPL BY 184765
27	184689	1	** Cup		OBSOLETE PART, REPL BY 184765
28	943252	X	* Shim		TH = 0,05 MM
	941823	X	* Shim		TH = 0.10mm
	967351	X	* Shim		TH=0,15mm
	941824	X	* Shim		TH = 0.20mm
	941825	X	* Shim		TH = 0.40mm
29	184691	1	* Roller bearing		
30	81374	X	* Shim		TH = 0.10mm
					REPL BY 191834
	81375	X	** Shim		TH=0,15mm
					REPL BY 191835
	81376	X	*** Shim		TH = 0.35mm
					REPL BY 191837
30A	191834	X	**** Shim		TH = 0.10mm
30	191835	X	**** Shim		TH=0,15mm
	191837	X	**** Shim		TH = 0.25mm
31	925258	2	**** O-ring		
32	941812	2	**** Hex. socket screw		
33	875821	1	**** Zinc ring kit		
34	966808	2	**** Screw		
35	183859	1	**** Needle roller bushin		
36	184683	1	**** Inner ring		
37	851407	2	**** Sealing ring		
38	853440	1	**** Line cutter		(852198) FRONT
39	183272	1	**** Needle roller bushin		
40	853871	1	**** Sealing ring		
41	853869	1	**** Lock washer		
42	852196	1	**** Propeller nut		
43	853441	1	**** Line cutter		(852206) REAR
44	854666	1	**** Propeller cone kit		(853825) (854243)
45		1	***** PROPELLER CONE		
46	941670	1	***** Washer		
47	852216	1	***** Lock screw		
48	853676	1	***** Spacer ring		
49	854294	1	***** Plastic washer		REAR
50		1	***** PRESSURE WASHER		
51	853584	1	***** Plastic washer		FRONT
					REPL BY 854667
52	854667	1	***** Spare parts kit		
53	854294	1	***** Plastic washer		REAR
					REPL BY 854667
54		1	***** PRESSURE WASHER		
55	852201	1	***** Propeller nut		
56	941670	1	***** Washer		
57	852216	1	***** Lock screw		
58	853584	1	***** Plastic washer		FRONT
					REPL BY 854667
59	854667	1	***** Spare parts kit		
60	854294	1	***** Plastic washer		REAR
					REPL BY 854667

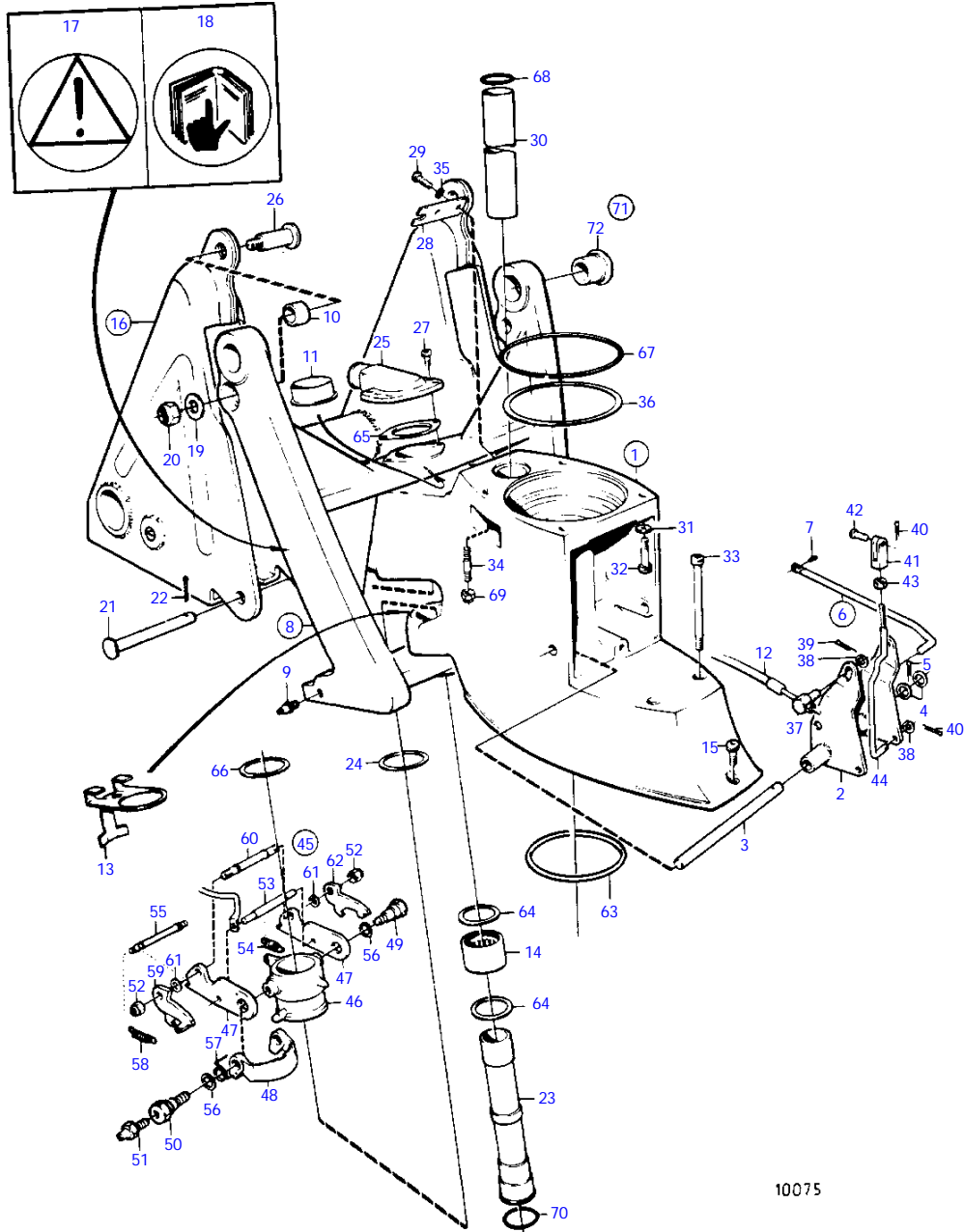


REF	PART NO.	QTY	DESCRIPTION	SEE SEC.	NOTES
1	854022	1	Upper gear		ALSO AVAILABLE AS AN EXCHANGE PART.
	3803114	1	Upper gear, exch, exch		ALSO AVAILABLE AS AN EXCHANGE PART.
2	854023	1	* Gear housing		REPL BY 854571
	854571	1	* Gear housing		
3	941814	2	* Stud		
4	854024	1	* Cardboard tube		
4A	854198	1	* Plastic plug		
5	814179	1	* Plug		
6	897682	1	* Gasket		
7	941807	3	* Hex. socket screw		
8	814643	1	* Hollow screw		
9	955989	1	* O-ring		
10	832669	1	* Gasket		
11	853669	1	* Gear set		
12	854025	1	* Bearing box		
13	853949	1	* Roller bearing		(183668)
14	183247	1	* Roller bearing		
15	852705	1	* Pivot pin		
15A	941807	2	* Hex. socket screw		
16	956591	4	* Hex. socket screw		
16A	942598	4	* Washer		
17	853484	1	* Pretensioning sleeve		
18	925095	1	* O-ring		
19	853034	X	* Shim		TH = 0.10mm
	853035	X	* Shim		TH=0.15mm
	853036	X	* Shim		TH = 0.35mm
20	839253	1	* Sealing ring		
21	832675	1	* Washer		
22	956000	1	* O-ring		
23	914538	1	* Snap ring		
24	854303	1	* Universal joint		(853057)
			Bulletin P-44-1-5	P-44-1-5-EN	U-joints
25	853561	1	* * Joint fork kit		
			Bulletin P-44-1-5	P-44-1-5-EN	U-joints
26	853331	2	* * * Lock ring		
27	897706	1	* * * Intermediate section		
28	854302	1	* * * Fork		(839026)
			Bulletin P-44-1-5	P-44-1-5-EN	U-joints
29	853255	2	* * * Spider		
29A	853331	8	* * * Lock ring		
30		8	* * * NEEDLE BEARING		
31		8	* * * PROTECTOR RING		
32		8	* * * CORK RING		
33	854201	1	* Screw		SN3102060903-
34	853026	1	* Washer		
35	853542	2	* Ball bearing		
36	832644	2	* Bearing sleeve		
37	943869	X	* Shim		TH = 0,05 MM
	946179	X	* Shim		TH = 0.10mm
	943870	X	* Shim		TH = 0.20mm
38	943252	X	* Shim		TH = 0,05 MM
	943866	X	* Shim		TH = 0.10mm
	943867	X	* Shim		TH = 0.20mm
	967557	X	* Shim		TH = 0,30mm
	943868	X	* Shim		TH = 0.40 mm
39	897385	1	* Shaft		
40	854297	1	* Sliding sleeve		(814601)
			Bulletin P-44-1-8	P-44-1-8-EN	Shift mechanism, shift cone and shoe
			Bulletin P-44-1-18	P-44-1-18-EN	Shift Cone
41	813970	1	* Spring		
42	26411	1	* Shim		
43	951077	1	* Snap ring		
44	853819	2	* Needle bearing		
45	897313	1	* Spacer ring		
46	897312	2	* Lock ring		
47	839332	1	* Nut		TH = 2,00 MM
	839333	1	* Nut		TH = 2,37 MM
	839334	1	* Nut		TH = 2,65 MM
48	839504	1	* Shift mechanism		
49	839505	1	* * Bearing housing		
50	897816	1	* * Eccentric piston		
			Bulletin P-44-1-7	P-44-1-7-EN	Shift mechanism, eccentric piston
51	814603	1	* * Dog		
52	814184	1	* * Spring		
53	897711	1	* * Screw		
54	897871	X	* * Shim		
55	853868	1	* * Sealing ring		
56	951924	1	* * Spring pin		
57	942871	1	* * Clevis pin		
58	925093	1	* * O-ring		
59	940169	4	* Hexagon screw		
60	875826	1	* Bellows kit		
61	853013	1	* * Hose clamp		
62	853012	1	* * Hose clamp		
63	839351	1	* Oil dipstick		
64	955974	1	* O-ring		
65	853706	1	* Type plate		
66	804269	2	* Drive screw		
67	854179	1	* Anchorage		
68	854036	1	Cover		INCLUDED IN COMPLETE DRIVE UNIT



REF	PART NO.	QTY	DESCRIPTION	SEE SEC.	NOTES
1	854936	1	Gear		ALSO AVAILABLE AS AN EXCHANGE PART.
2	854571	1	* Gear housing		
3	977241	2	* Stud		
4	854677	1	* Cardboard tube		
4A	854198	1	* Plastic plug		
5	814179	1	* Plug		
6	897682	1	* Gasket		
7	941807	3	* Hex. socket screw		
8	814643	1	* Hollow screw		
9	955989	1	* O-ring		
10	832669	1	* Gasket		
11	853669	1	* Gear set		
12	854025	1	* Bearing box		
13	853949	1	* Roller bearing		
14	183247	1	* Roller bearing		
15	852705	1	* Pivot pin		
15A	941807	2	* Hex. socket screw		
16	956591	4	* Hex. socket screw		
16A	942598	4	* Washer		
17	853484	1	* Pretensioning sleeve		
18	925095	1	* O-ring		
19	853034	X	* Shim		TH = 0.10mm
	853035	X	* Shim		TH=0,15mm
	853036	X	* Shim		TH = 0.35mm
20	839253	1	* Sealing ring		
21	832675	1	* Washer		
22	956000	1	* O-ring		
23	914538	1	* Snap ring		
24	872089	1	* Universal joint		
			Bulletin P-44-1-5	P-44-1-5-EN	U-joints
25	854616	1	* * Fork		
26	854617	1	* * Fork		
27	872088	1	* * Intermediate section		
28	854619	2	* * Spider		
29	24383	8	* * Lock ring		
30	854201	1	* Screw		
31	853026	1	* Washer		
32	854670	2	* Ball bearing		
33	943869	X	* Shim		TH = 0.05 MM
	946179	X	* Shim		TH = 0.10mm
	943870	X	* Shim		TH = 0.20mm
34	941826	X	* Shim		TH = 0.05 MM
	941827	X	* Shim		TH = 0.20mm
	948230	X	* Shim		TH = 0.35mm
35	897385	1	* Shaft		
36	814601	1	* Sliding sleeve		
			Bulletin P-44-1-8	P-44-1-8-EN	Shift mechanism, shift cone and shoe
			Bulletin P-44-1-18	P-44-1-18-EN	Shift Cone
37	813970	1	* Spring		
38	26411	1	* Shim		
39	951077	1	* Snap ring		
40	853819	2	* Needle bearing		
41	897313	1	* Spacer ring		
42	897312	2	* Lock ring		
43	839332	1	* Nut		TH = 2,00 MM
	839333	1	* Nut		TH = 2,37 MM
	839334	1	* Nut		TH = 2,65 MM
44	839504	1	* Shift mechanism		
45	839505	1	* * Bearing housing		
46	897816	1	* * Eccentric piston		
			Bulletin P-44-1-7	P-44-1-7-EN	Shift mechanism, eccentric piston
47	814603	1	* * Dog		
48	814184	1	* * Spring		
49	897711	1	* * Screw		
50	897871	X	* * Shim		
51	853868	1	* * Sealing ring		
52	951924	1	* * Spring pin		
53	942871	1	* * Clevis pin		
54	925093	1	* * O-ring		
55	940169	4	* Hexagon screw		
56	876294	1	* Bellows kit		
			Bulletin P-44-1-11	P-44-1-11-EN	DPH/DPR U-Joint Bellows
57	853013	1	* * Hose clamp		
58	853012	1	* * Hose clamp		
59	839351	1	* Oil dipstick		
60	955974	1	* O-ring		
61	853706	1	* Type plate		
62	804269	2	* Drive screw		
63	854179	1	* Anchorage		
64	854036	1	Cover		INCLUDED IN COMPLETE DRIVE UNIT
65	854180	1	* Locating pin		INCLUDED IN COMPLETE DRIVE UNIT, OBSOLETE PART
66	854661	1	Screw		INCLUDED IN COMPLETE DRIVE UNIT
67	854137	1	Sign		INCLUDED IN COMPLETE DRIVE UNIT
68	854140	1	Sign		INCLUDED IN COMPLETE DRIVE UNIT, P
	854141	1	Sign		INCLUDED IN COMPLETE DRIVE UNIT, S.B
69	854144	1	Sign		INCLUDED IN COMPLETE DRIVE UNIT

SP-A1

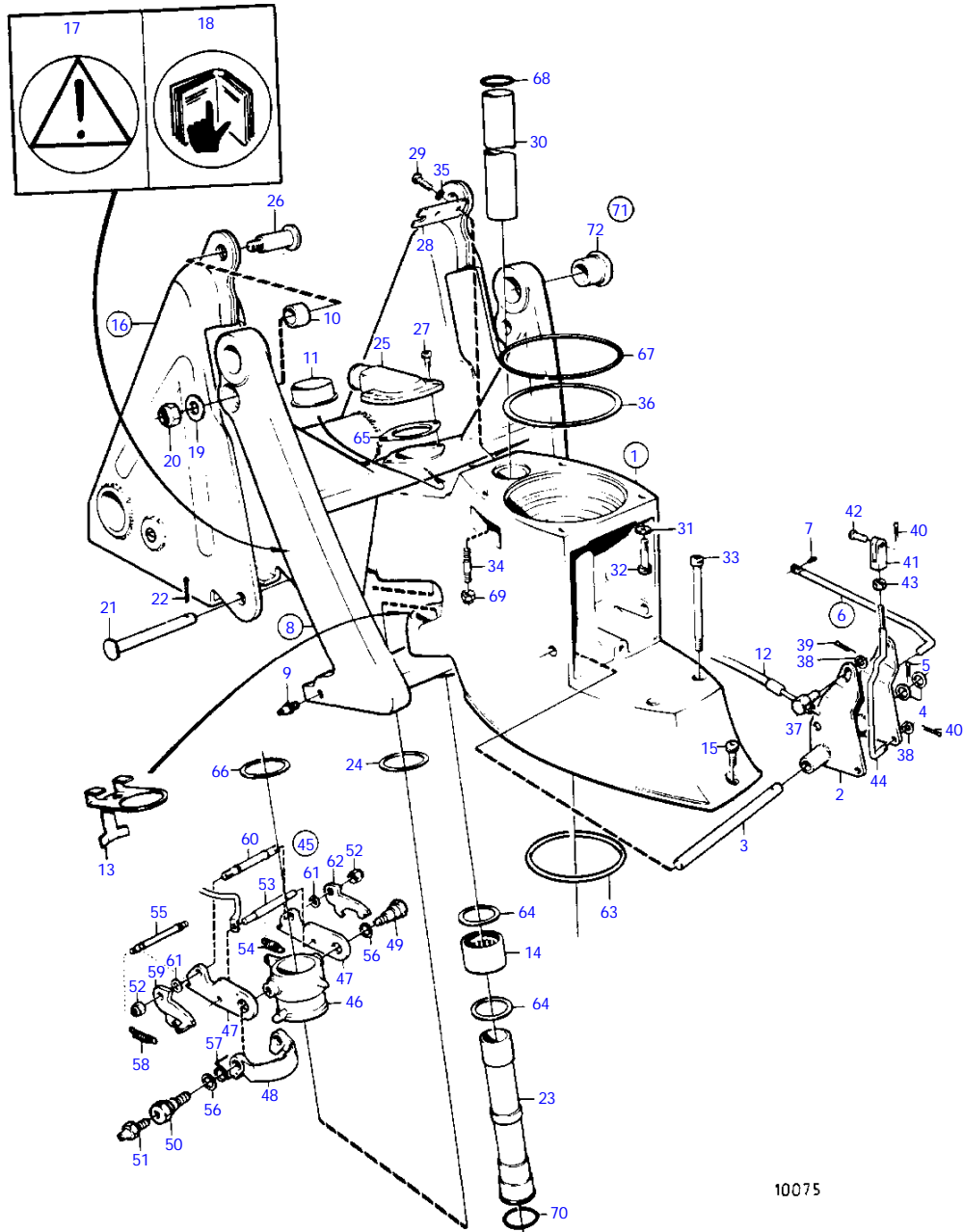


10075

SP-A1

REF	PART NO.	QTY	DESCRIPTION	NOTES
1	854033	1	Intermediate housing	
2	897829	1	* Gear yoke	
3	897447	1	* Shaft	
4	897511	2	* Washer	
5	17253	1	* Split pin	
6	851412	1	* Reverse locking rod	
7	967556	1	* * Spring pin	
8	854100	1	Suspension fork	
9	940194	1	* Lubricating nipple	
10	852912	2	* Bushing	
11	853062	1	* Bearing bushing	
12		X	CONTROL CABLE	SEE GROUP 9
13	853967	1	Guide washer	
14	183391	1	Needle roller bushin	
15	941809	1	Hex. socket screw	
16	854550	1	Cylinder anchorage	
17	853717	1	* Decal	
18	853716	1	* Decal	OBSOLETE PART
19	853071	2	Washer	
20	946672	2	Lock nut	
21	853309	2	Clevis pin	
22	967707	2	Split pin	
23	814386	1	Steering knuckle	
24	897696	2	Washer	
25	854031	1	Hose connection	
26	853308	2	Shoulder screw	
27	941813	2	Hex. socket screw	
28	853078	1	Cable attachment	
29	940168	2	Hexagon screw	
30	897644	1	Tube	
31	853095	2	Washer	
32	959456	2	Hex. socket screw	
33	941808	2	Hex. socket screw	
34		2	STUD BOLT	INCLUDED IN UPPER GEAR UNIT.
35	940191	2	Washer	
36	943252	X	Shim	TH = 0.05 MM
	943866	X	Shim	TH = 0.10mm
	943867	X	Shim	TH = 0.20mm
	967557	X	Shim	TH = 0.30mm
	943868	X	Shim	TH = 0.40mm
37	804312	1	Cube	
38	940191	2	Washer	
39	17276	1	Split pin	
40	17253	2	Split pin	
41	813954	1	Fork	
42	192662	1	Split pin	
43	940190	1	Hexagon nut	
44	897448	1	Control rod	
45	854035	1	Latch	
46	851402	1	* Bearing sleeve	
47	814391	2	* Latch	
48	851403	1	* Lock brace	
49	851423	1	* Spindle	
50	854344	1	* Spindle	
51	940194	1	* Lubricating nipple	
52	943197	2	* Lock nut	INCLUDED IN REPAIR KIT 876265 FOR ASTERN LEVER.
53	851424	1	* Stop arm	INCLUDED IN REPAIR KIT 876265 FOR ASTERN LEVER.
54	832534	1	* Spring	INCLUDED IN REPAIR KIT 876265 FOR ASTERN LEVER.
55	814399	1	* Shaft	INCLUDED IN REPAIR KIT 876265 FOR ASTERN LEVER.
56	943194	2	* Washer	INCLUDED IN REPAIR KIT 876265 FOR ASTERN LEVER.
57	814396	1	* Spring	INCLUDED IN REPAIR KIT 876265 FOR ASTERN LEVER.
58	814332	2	* Spring	INCLUDED IN REPAIR KIT 876265 FOR ASTERN LEVER.
59	814392	1	* Spring hook	INCLUDED IN REPAIR KIT 876265 FOR ASTERN LEVER.
60	814419	1	* Shaft	INCLUDED IN REPAIR KIT 876265 FOR ASTERN LEVER.
61	814422	2	* Spacer washer	INCLUDED IN REPAIR KIT 876265 FOR ASTERN LEVER.
62	814393	1	* Spring hook	INCLUDED IN REPAIR KIT 876265 FOR ASTERN LEVER.
63	925256	1	O-ring	INCLUDED IN COMPLETE DRIVE UNIT, INCLUDED IN REPAIR KIT 876265 FOR ASTERN LEVER.
64	181620	2	Sealing ring	INCLUDED IN REPAIR KIT 876265 FOR ASTERN LEVER.
65	814356	1	Sealing	INCLUDED IN REPAIR KIT 876265 FOR ASTERN LEVER.
66	814390	1	Plastic washer	INCLUDED IN REPAIR KIT 876265 FOR ASTERN LEVER.
67	925259	1	O-ring	INCLUDED IN REPAIR KIT 876265 FOR ASTERN LEVER.
68	125017	2	O-ring	INCLUDED IN REPAIR KIT 876265 FOR ASTERN LEVER.
69	941885	2	Lock nut	INCLUDED IN REPAIR KIT 876265 FOR ASTERN LEVER.
70	941820	1	O-ring	INCLUDED IN REPAIR KIT 876265 FOR ASTERN LEVER.
71	876279	1	Bushing kit	
72	853223	2	* Bushing, BUSHING	INCLUDED IN REPAIR KIT 876265 FOR ASTERN LEVER., REPL BY 876279
	876265	1	* * Repair kit, REV TILT INH.	(876075)

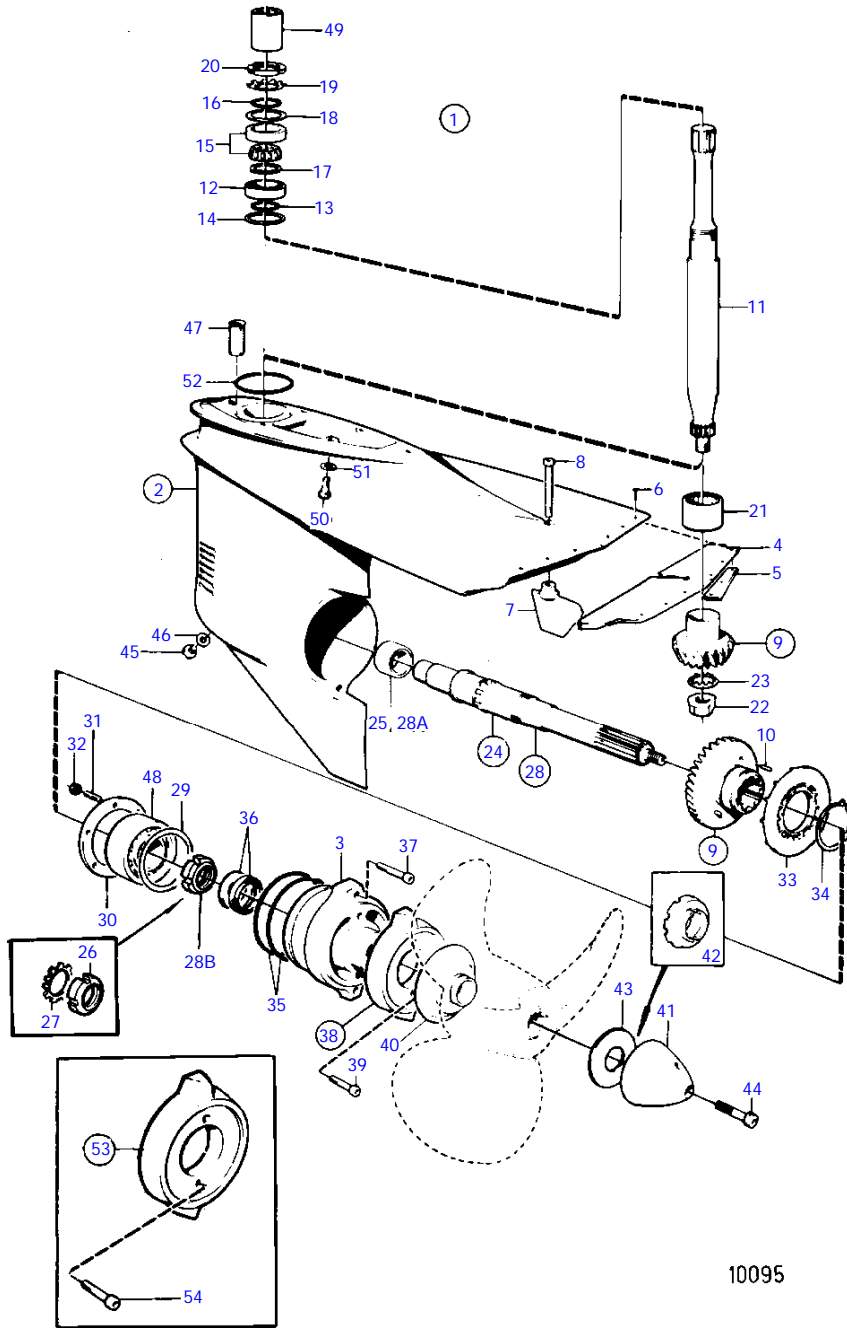
SP-A1



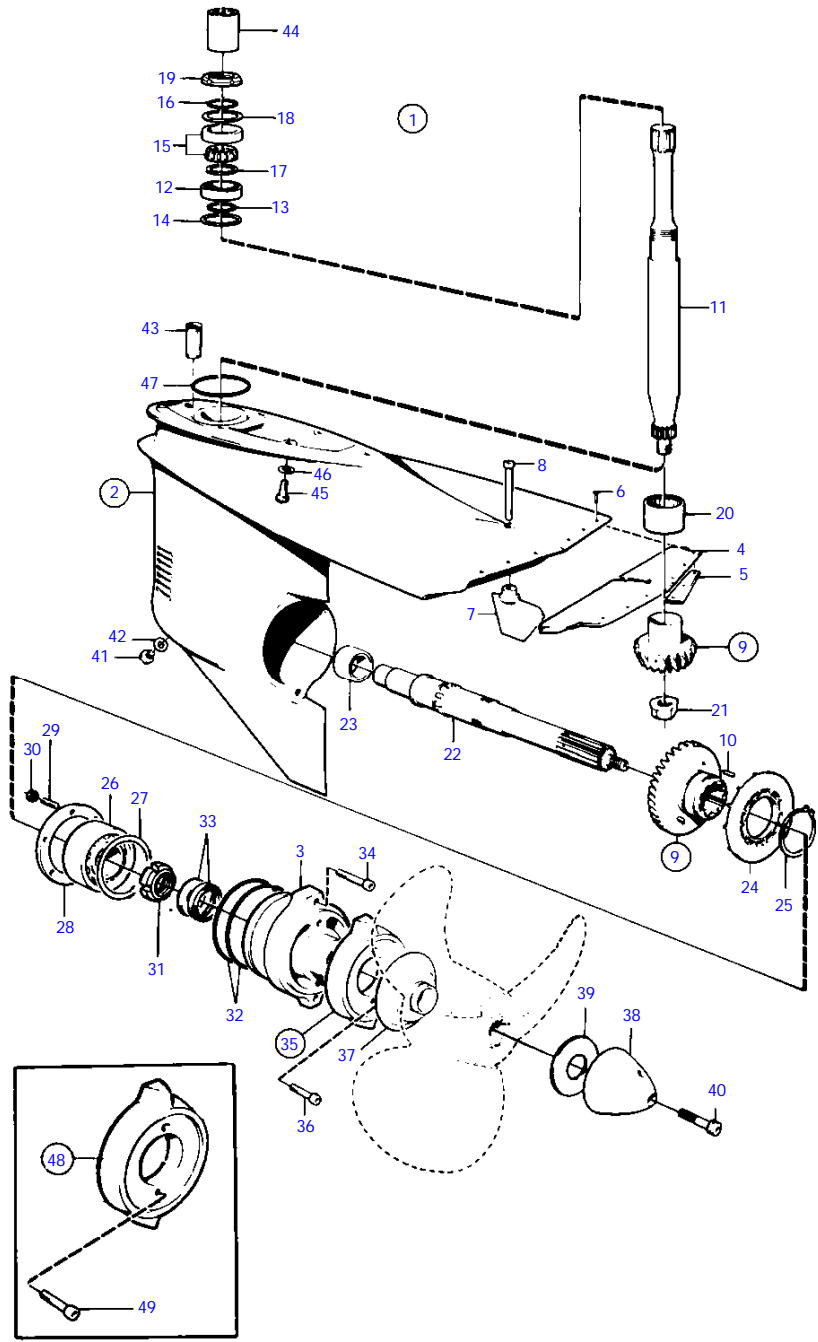
10075

SP-A1

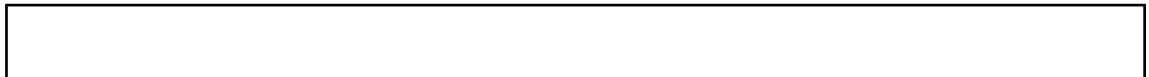
REF	PART NO.	QTY	DESCRIPTION	NOTES
1	854937	1	Intermediate housing	
2	897829	1	* Gear yoke	
3	897447	1	* Shaft	
4	897511	2	* Washer	
5	17253	1	* Split pin	
6	851412	1	* Reverse locking rod	
7	967556	1	* * Spring pin	
8	854100	1	Suspension fork	
9	940194	1	* Lubricating nipple	
10	852912	2	* Bushing	
11	853062	1	* Bearing bushing	
12		X	CONTROL CABLE	SEE GROUP 9
13	853967	1	Guide washer	
14	183391	1	Needle roller bushin	
15	941809	1	Hex. socket screw	
16	854550	1	Cylinder anchorage	
17	853717	1	* Decal	
18	853716	1	* Decal	OBSOLETE PART
19	853071	2	Washer	
20	946672	2	Lock nut	
21	853309	2	Clevis pin	
22	967707	2	Split pin	
23	814386	1	Steering knuckle	
24	897696	2	Washer	
25	854031	1	Hose connection	
26	853308	2	Shoulder screw	
27	941813	2	Hex. socket screw	
28	853078	1	Cable attachment	
29	940168	2	Hexagon screw	
30	897644	1	Tube	
31	853095	2	Washer	
32	959456	2	Hex. socket screw	
33	941808	2	Hex. socket screw	
34		2	STUD BOLT	INCLUDED IN UPPER GEAR UNIT.
35	940191	2	Washer	
36	941826	X	Shim	TH = 0.05 MM
	941827	X	Shim	TH = 0.20mm
	948230	X	Shim	TH = 0.35mm
	943868	X	Shim	TH = 0.40mm
37	804312	1	Cube	
38	940191	2	Washer	
39	17276	1	Split pin	
40	17253	2	Split pin	
41	813954	1	Fork	
42	192662	1	Split pin	
43	940190	1	Hexagon nut	
44	897448	1	Control rod	
45	854035	1	Latch	
46	851402	1	* Bearing sleeve	
47	814391	2	* Latch	
48	851403	1	* Lock brace	
49	851423	1	* Spindle	
50	854344	1	* Spindle	
51	940194	1	* Lubricating nipple	
52	943197	2	* Lock nut	INCLUDED IN REPAIR KIT 876265 FOR ASTERN LEVER.
53	851424	1	* Stop arm	INCLUDED IN REPAIR KIT 876265 FOR ASTERN LEVER.
54	832534	1	* Spring	INCLUDED IN REPAIR KIT 876265 FOR ASTERN LEVER.
55	814399	1	* Shaft	INCLUDED IN REPAIR KIT 876265 FOR ASTERN LEVER.
56	943194	2	* Washer	INCLUDED IN REPAIR KIT 876265 FOR ASTERN LEVER.
57	814396	1	* Spring	INCLUDED IN REPAIR KIT 876265 FOR ASTERN LEVER.
58	814332	2	* Spring	INCLUDED IN REPAIR KIT 876265 FOR ASTERN LEVER.
59	814392	1	* Spring hook	INCLUDED IN REPAIR KIT 876265 FOR ASTERN LEVER.
60	814419	1	* Shaft	INCLUDED IN REPAIR KIT 876265 FOR ASTERN LEVER.
61	814422	2	* Spacer washer	INCLUDED IN REPAIR KIT 876265 FOR ASTERN LEVER.
62	814393	1	* Spring hook	INCLUDED IN REPAIR KIT 876265 FOR ASTERN LEVER.
63	925256	1	O-ring	INCLUDED IN COMPLETE DRIVE UNIT, INCLUDED IN REPAIR KIT 876265 FOR ASTERN LEVER.
64	181620	2	Sealing ring	INCLUDED IN REPAIR KIT 876265 FOR ASTERN LEVER.
65	814356	1	Sealing	INCLUDED IN REPAIR KIT 876265 FOR ASTERN LEVER.
66	814390	1	Plastic washer	INCLUDED IN REPAIR KIT 876265 FOR ASTERN LEVER.
67	925259	1	O-ring	INCLUDED IN REPAIR KIT 876265 FOR ASTERN LEVER.
68	125017	2	O-ring	INCLUDED IN REPAIR KIT 876265 FOR ASTERN LEVER.
69	941885	2	Lock nut	INCLUDED IN REPAIR KIT 876265 FOR ASTERN LEVER.
70	941820	1	O-ring	INCLUDED IN REPAIR KIT 876265 FOR ASTERN LEVER.
71	876279	1	Bushing kit	
72	853223	2	* Bushing, BUSHING	INCLUDED IN REPAIR KIT 876265 FOR ASTERN LEVER., REPL BY 876279
	876265	1	* * Repair kit, REV TILT INH.	(876075)



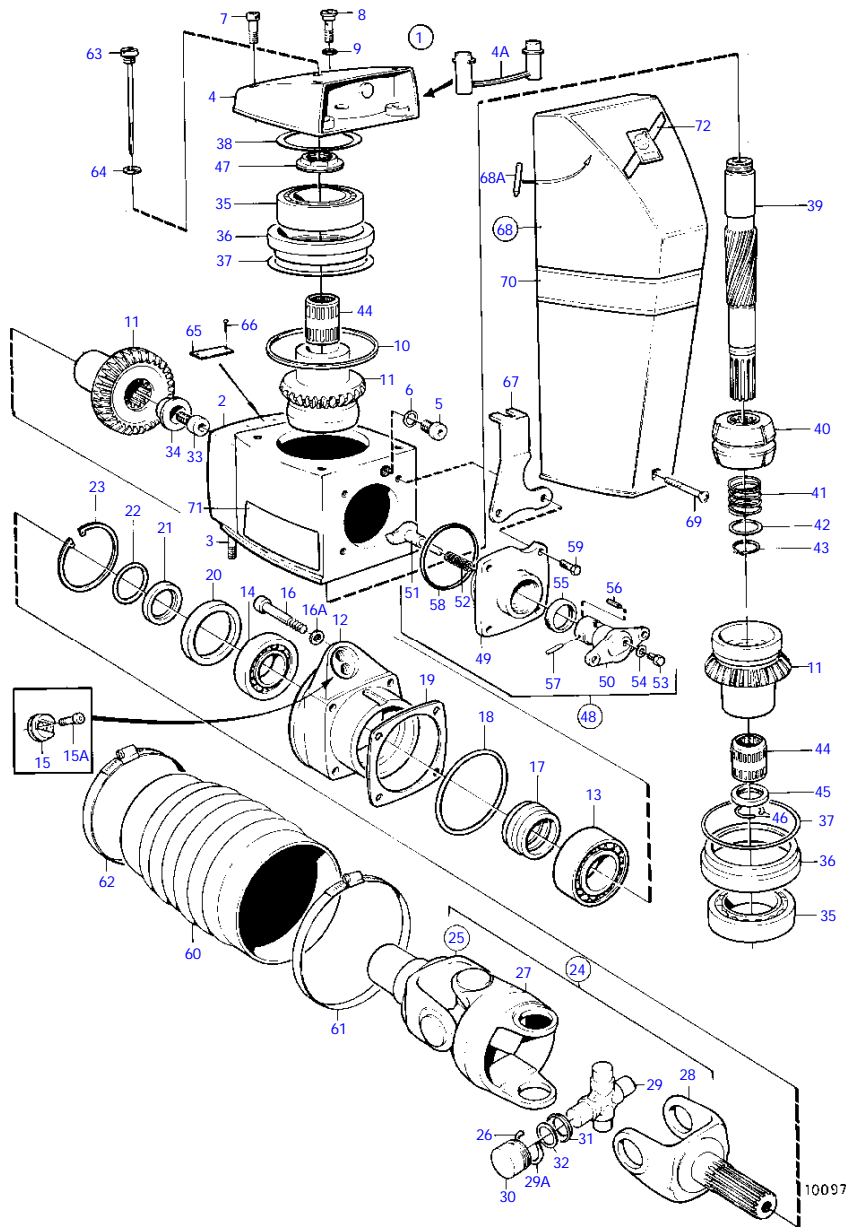
REF	PART NO.	QTY	DESCRIPTION	NOTES
1	854038	1	Lower gear	ALSO AVAILABLE AS AN EXCHANGE PART.
2	854042	1	* Gear housing	
3	854044	1	* * Bearing housing	
4	852644	1	* * Check valve	
5	852643	2	* * Attaching plate	
6	948338	6	* * Blind rivet	
7	854040	1	* Fin	
8	959440	1	* Hex. socket screw	
9	832624	1	* Gear set	RATIO 1,61:1
10	948407	2	* * Spring pin	
11	832555	1	* Countershaft	
12	183374	1	* Ball bearing	
13	941832	X	* Shim	TH = 0,05 MM
	941833	X	* Shim	TH = 0.20mm
14	832191	1	* Gasket	
15	11072	1	* Roller bearing	
16	897387	1	* Tensioning ring	
17	944970	X	* Shim	TH = 1,60 MM
18	944522	X	* Shim	TH = 0,05 MM
	42981	X	* Shim	TH = 0.10mm
	42980	X	* Shim	TH = 0.35mm
19	907023	1	* Lock washer	
20	906633	1	* Round nut	
21	183497	1	* Needle bearing	
22	814164	1	* Nut	
23	814165	1	* Washer	
24	875524	1	* Propeller shaft	REPL BY 854675
25	183390	1	* * Needle roller bushin	
26	906635	1	* Round nut	FOR PROPELLER SHAFT 875524 WITH KEYGROOVE., OBSOLETE PART
27	907025	1	* Lock washer	FOR PROPELLER SHAFT 875524 WITH KEYGROOVE.
28	854675	1	* Propeller shaft	
28A	183390	1	* * Needle roller bushin	
28B	969073	1	* * Round nut	FOR PROPELLER SHAFT 854675 WITHOUT KEYGROOVE.
29	944561	X	* Shim	TH = 0,05 MM
	944562	X	* Shim	TH = 0.10mm
	851767	X	* Shim	TH = 0.20mm
30	832725	1	* Thrust ring	
31	953449	6	* Stud	
32	955825	6	* Hexagon nut	
33	832548	1	* Pump rotor	
34	914474	1	* Snap ring	
35	925261	2	* O-ring	
36	897426	2	* Sealing ring	
37	941812	2	* Hex. socket screw	
38	875815	1	* Zinc ring kit	
39	941809	2	* * Hex. socket screw	
40	839423	1	* Line cutter	
41	854045	1	* Spinner	
42	854047	1	* Spacer washer	
43	850888	1	* Plastic washer	
44	850889	1	* Screw	
45	839354	1	* Plug	
46	955974	1	* O-ring	
47	814482	1	* Oil strainer	
48	854541	1	* Ball bearing	(181366)
49	850304	1	* Splined sleeve	INCLUDED IN COMPLETE DRIVE UNIT
50	941810	4	Hex. socket screw	INCLUDED IN COMPLETE DRIVE UNIT
51	853095	4	Washer	INCLUDED IN COMPLETE DRIVE UNIT
52	925256	1	O-ring	INCLUDED IN COMPLETE DRIVE UNIT
53	876137	1	Magnesium kit	TO BE USED IN FRESH-WATER.
54	941809	2	* Hex. socket screw	



10466

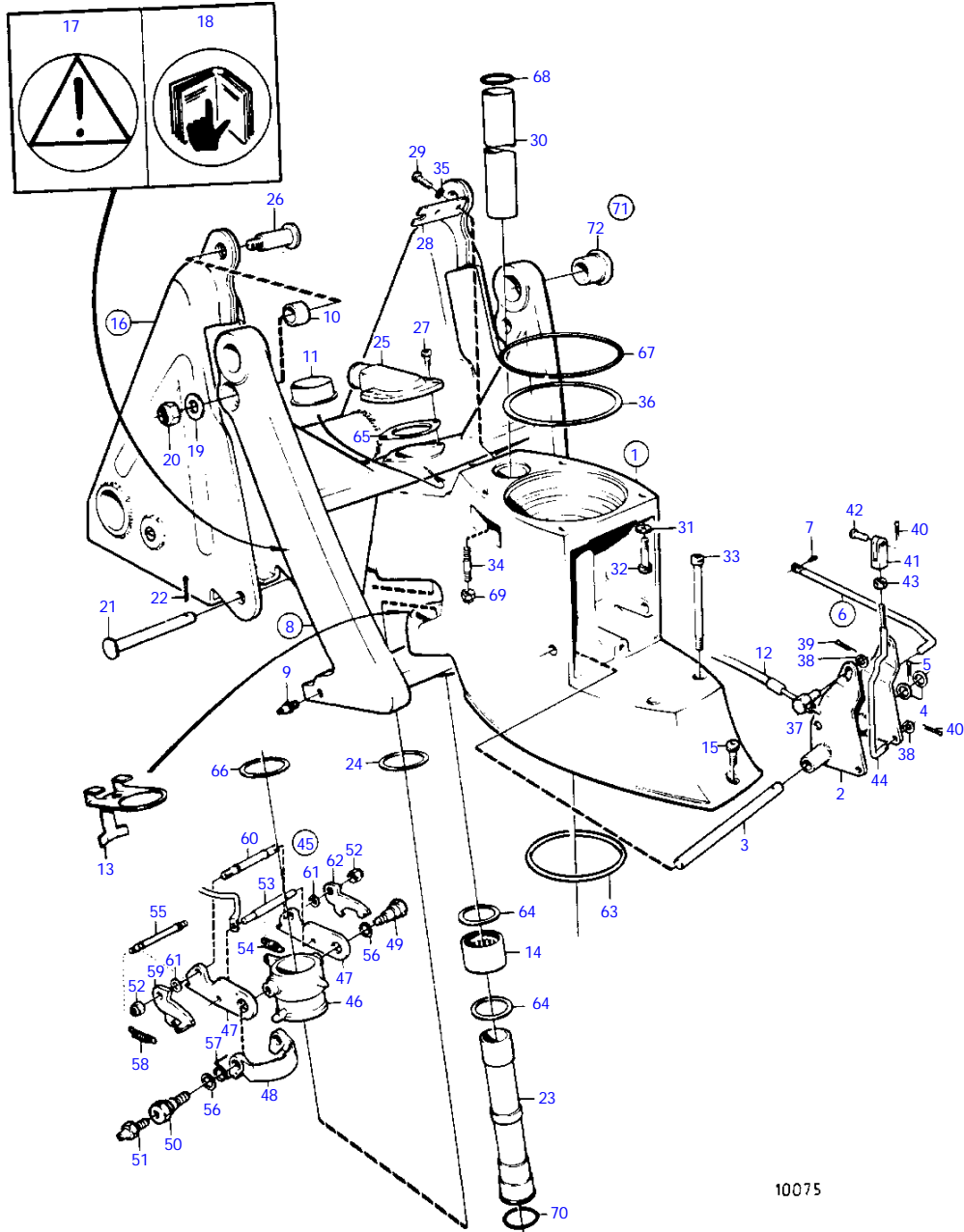


REF	PART NO.	QTY	DESCRIPTION	SEE SEC.	NOTES
1	854635	1	Lower gear		ALSO AVAILABLE AS AN EXCHANGE PART.
	3803154	1	Lower gear, exch, exch		ALSO AVAILABLE AS AN EXCHANGE PART.
2	854042	1	* Gear housing		
3	854044	1	* * Bearing housing		
4	852644	1	* Check valve		
5	852643	2	* * Attaching plate		
6	948338	6	* * Blind rivet		
7	854040	1	* Fin		
8	959440	1	* Hex. socket screw		
9	872050	1	* Gear set		RATIO 1,61:1
10	948407	2	* * Spring pin		
11	854889	1	* Countershaft		
12	183374	1	* Ball bearing		
13	941832	X	* Shim		TH = 0,05 MM
	941833	X	* Shim		TH = 0,20mm
14	832191	1	* Gasket		
15	11072	1	* Roller bearing		
16	897387	1	* Tensioning ring		
17	944970	X	* Shim		TH = 1,60 MM
18	944522	X	* Shim		TH = 0,05 MM
	42981	X	* Shim		TH = 0,10mm
	42980	X	* Shim		TH = 0,35mm
	968057	X	* Shim		TH = 0,20mm
19	969071	1	* Round nut		
20	183497	1	* Needle bearing		
21	854300	1	* Nut		
22	854657	1	* Propeller shaft		
23	814165	1	* Washer		
	183390	1	* Needle roller bushin		
24	832548	1	* Pump rotor		
25	914474	1	* Snap ring		
26	854541	1	* Ball bearing		
27	944561	X	* Shim		TH = 0,05 MM
	944562	X	* Shim		TH = 0,10mm
	851767	X	* Shim		TH = 0,20mm
28	832725	1	* Thrust ring		
29	953449	6	* Stud		
30	955825	6	* Hexagon nut		
31	969073	1	* Round nut		
32	925261	2	* O-ring		
33	897426	2	* Sealing ring		
34	941812	2	* Hex. socket screw		
35	875815	1	* Zinc ring kit		
36	941809	2	* * Hex. socket screw		
37	872082	1	* Line cutter		
38	854045	1	* Spinner		
39	850888	1	* Plastic washer		
40	850889	1	* Screw		
41	839354	1	* Plug		
42	955974	1	* O-ring		
43	814482	1	* Oil strainer		
44	854553	1	Splined sleeve		INCLUDED IN COMPLETE DRIVE UNIT
			Bulletin P-44-1-6	P-44-1-6-EN	Lower Gear Unit
45	941810	4	Hex. socket screw		INCLUDED IN COMPLETE DRIVE UNIT
46	853095	4	Washer		INCLUDED IN COMPLETE DRIVE UNIT
47	925256	1	O-ring		INCLUDED IN COMPLETE DRIVE UNIT
48	876137	1	Magnesium kit		TO BE USED IN FRESH-WATER.
49	941809	2	* Hex. socket screw		

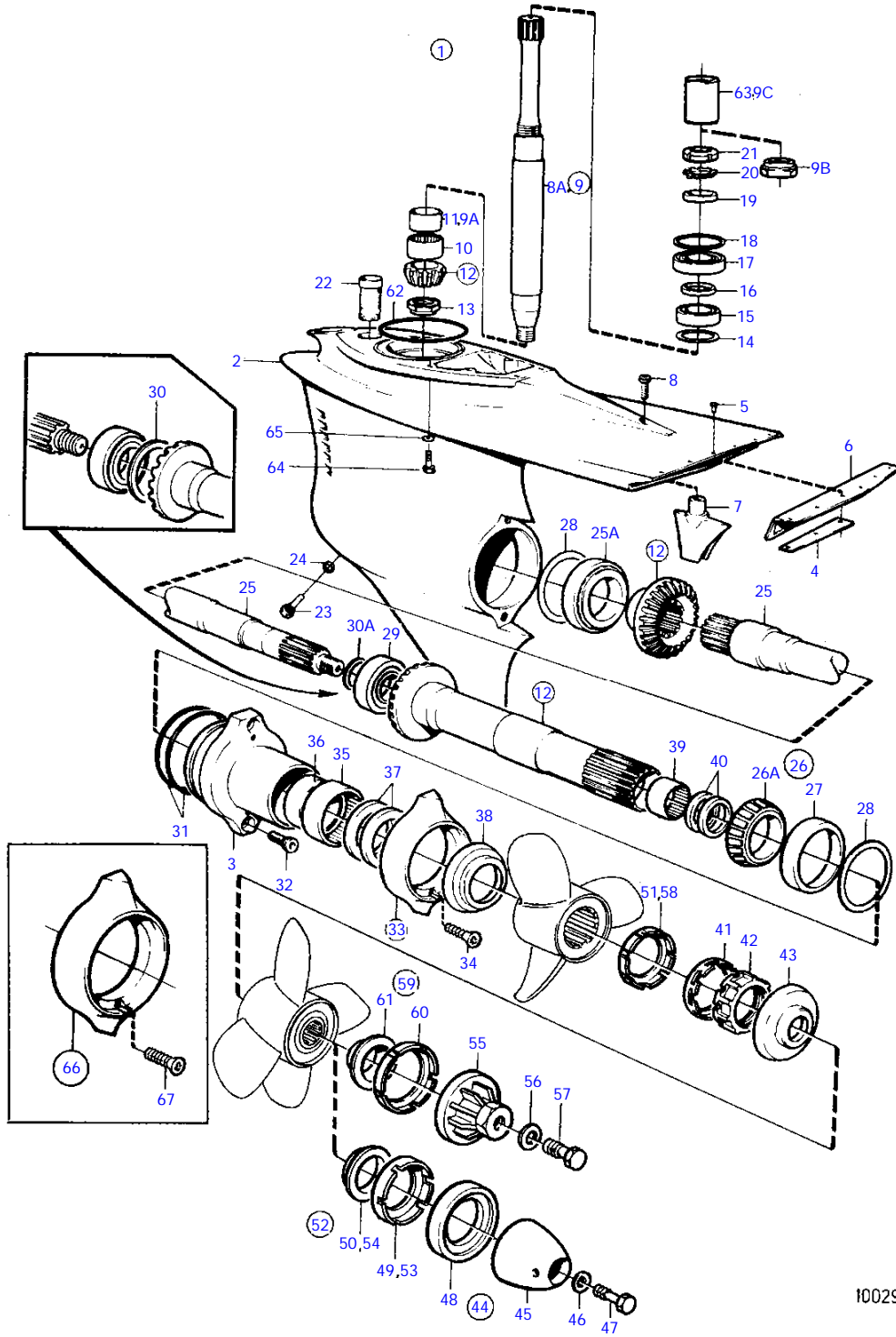


REF	PART NO.	QTY	DESCRIPTION	SEE SEC.	NOTES
1	854022	1	Upper gear		ALSO AVAILABLE AS AN EXCHANGE PART.
	3803114	1	Upper gear, exch, exch		ALSO AVAILABLE AS AN EXCHANGE PART.
2	854023	1	* Gear housing		REPL BY 854571
	854571	1	* Gear housing		
3	941814	2	* Stud		
4	854024	1	* Cardboard tube		
4A	854198	1	* Plastic plug		
5	814179	1	* Plug		
6	897682	1	* Gasket		
7	941807	3	* Hex. socket screw		
8	814643	1	* Hollow screw		
9	955989	1	* O-ring		
10	832669	1	* Gasket		
11	853669	1	* Gear set		
12	854025	1	* Bearing box		
13	853949	1	* Roller bearing		(183668)
14	183247	1	* Roller bearing		
15	852705	1	* Pivot pin		
15A	941807	2	* Hex. socket screw		
16	956591	4	* Hex. socket screw		
16A	942598	4	* Washer		
17	853484	1	* Pretensioning sleeve		
18	925095	1	* O-ring		
19	853034	X	* Shim		TH = 0.10mm
	853035	X	* Shim		TH=0.15mm
	853036	X	* Shim		TH = 0.35mm
20	839253	1	* Sealing ring		
21	832675	1	* Washer		
22	956000	1	* O-ring		
23	914538	1	* Snap ring		
24	854303	1	* Universal joint		(853057)
			Bulletin P-44-1-5	P-44-1-5-EN	U-joints
25	853561	1	* * Joint fork kit		
			Bulletin P-44-1-5	P-44-1-5-EN	U-joints
26	853331	2	* * * Lock ring		
27	897706	1	* * * Intermediate section		
28	854302	1	* * * Fork		(839026)
			Bulletin P-44-1-5	P-44-1-5-EN	U-joints
29	853255	2	* * * Spider		
29A	853331	8	* * * Lock ring		
30		8	* * * NEEDLE BEARING		
31		8	* * * PROTECTOR RING		
32		8	* * * CORK RING		
33	854201	1	* Screw		SN3102058853-
34	853026	1	* Washer		
35	853542	2	* Ball bearing		
36	832644	2	* Bearing sleeve		
37	943869	X	* Shim		TH = 0,05 MM
	946179	X	* Shim		TH = 0.10mm
	943870	X	* Shim		TH = 0.20mm
38	943252	X	* Shim		TH = 0,05 MM
	943866	X	* Shim		TH = 0.10mm
	943867	X	* Shim		TH = 0.20mm
	967557	X	* Shim		TH = 0,30mm
	943868	X	* Shim		TH = 0.40 mm
39	897385	1	* Shaft		
40	854297	1	* Sliding sleeve		(814601)
			Bulletin P-44-1-8	P-44-1-8-EN	Shift mechanism, shift cone and shoe
			Bulletin P-44-1-18	P-44-1-18-EN	Shift Cone
41	813970	1	* Spring		
42	26411	1	* Shim		
43	951077	1	* Snap ring		
44	853819	2	* Needle bearing		
45	897313	1	* Spacer ring		
46	897312	2	* Lock ring		
47	839332	1	* Nut		TH = 2,00 MM
	839333	1	* Nut		TH = 2,37 MM
	839334	1	* Nut		TH = 2,65 MM
48	839504	1	* Shift mechanism		
49	839505	1	* * Bearing housing		
50	897816	1	* * Eccentric piston		
			Bulletin P-44-1-7	P-44-1-7-EN	Shift mechanism, eccentric piston
51	814603	1	* * Dog		
52	814184	1	* * Spring		
53	897711	1	* * Screw		
54	897871	X	* * Shim		
55	853868	1	* * Sealing ring		
56	951924	1	* * Spring pin		
57	942871	1	* * Clevis pin		
58	925093	1	* * O-ring		
59	940169	4	* Hexagon screw		
60	875826	1	* Bellows kit		
61	853013	1	* * Hose clamp		
62	853012	1	* * Hose clamp		
63	839351	1	* Oil dipstick		
64	955974	1	* O-ring		
65	853706	1	* Type plate		
66	804269	2	* Drive screw		
67	854179	1	* Anchorage		
68	854036	1	Cover		INCLUDED IN COMPLETE DRIVE UNIT

REF	PART NO.	QTY	DESCRIPTION	SEE SEC.	NOTES
68A	854180	1	* Locating pin		INCLUDED IN COMPLETE DRIVE UNIT, OBSOLETE PART
69	854661	1	Screw		INCLUDED IN COMPLETE DRIVE UNIT
70	854137	1	Sign		INCLUDED IN COMPLETE DRIVE UNIT
71	854140	1	Sign		INCLUDED IN COMPLETE DRIVE UNIT, P
	854141	1	Sign		INCLUDED IN COMPLETE DRIVE UNIT, S.B
72	854144	1	Sign		INCLUDED IN COMPLETE DRIVE UNIT

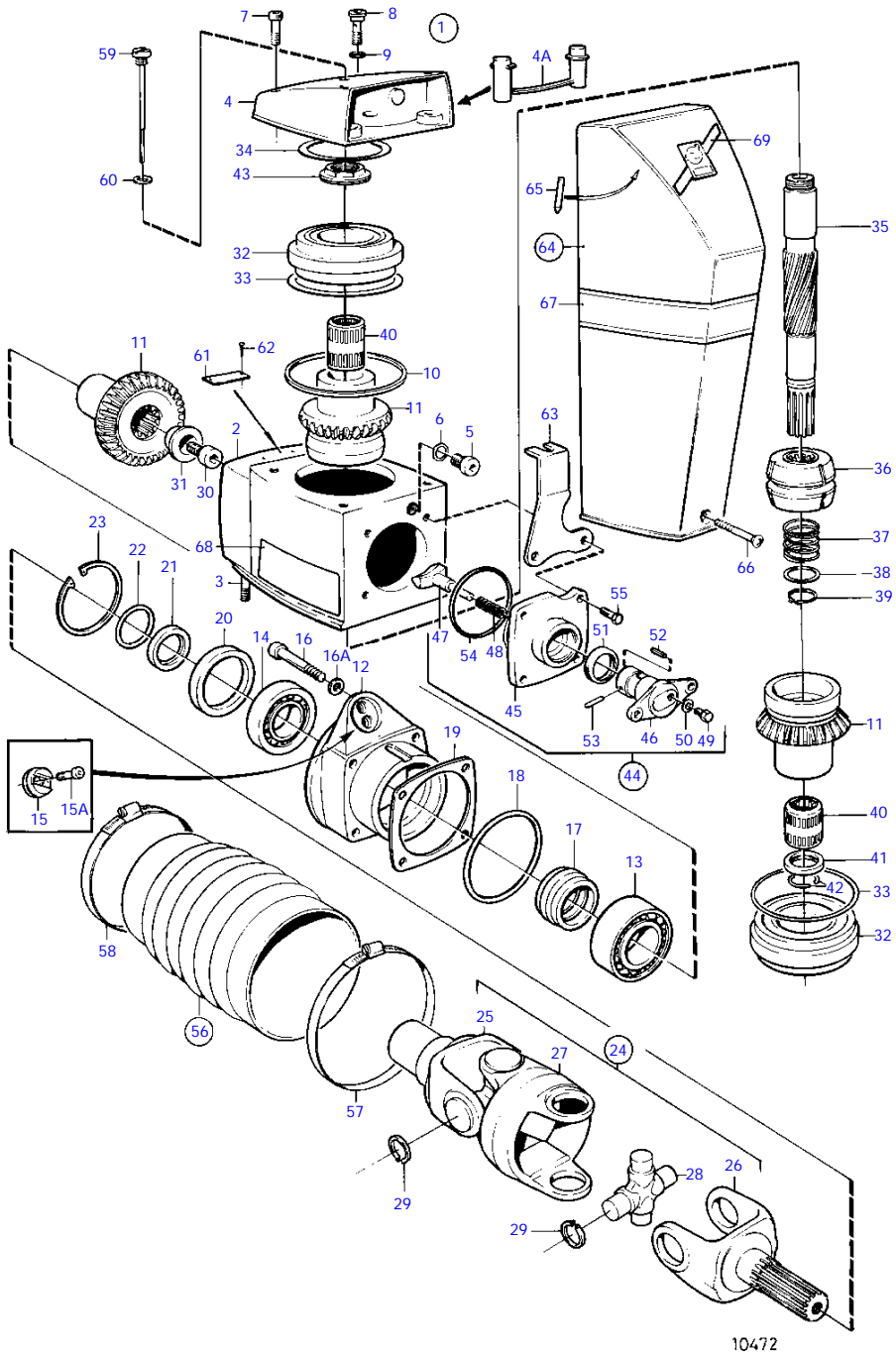


REF	PART NO.	QTY	DESCRIPTION	NOTES
1	852851	1	Intermediate housing	WHITE, REPL BY 854033
	854033	1	Intermediate housing	gray
2	897829	1	* Gear yoke	
3	897447	1	* Shaft	
4	897511	2	* Washer	
5	17253	1	* Split pin	
6	851412	1	* Reverse locking rod	
7	967556	1	* * Spring pin	
8	852869	1	* Fork	WHITE, REPL BY 854100
	854100	1	* Suspension fork	gray
9	940194	1	* Lubricating nipple	
10	852912	2	* Bushing	
11	853062	1	* Bearing bushing	
12		X	CONTROL CABLE	SEE GROUP 9
13	853967	1	Guide washer	
14	183391	1	Needle roller bushin	
15	941809	1	Hex. socket screw	
16	853310	1	Cylinder anchorage	WHITE, REPL BY 854034
	854034	1	Cylinder anchorage	gray, REPL BY 854550
	854550	1	Cylinder anchorage	gray
17	853717	1	* Decal	
18	853716	1	* Decal	OBSOLETE PART
19	853071	2	Washer	
20	946672	2	Lock nut	
21	853309	2	Clevis pin	
22	967707	2	Split pin	
23	814386	1	Steering knuckle	
24	897696	2	Washer	
25	851766	1	Hose connection	WHITE, REPL BY 854031
	854031	1	Hose connection	gray
26	853308	2	Shoulder screw	
27	941813	2	Hex. socket screw	
28	853078	1	Cable attachment	
29	940168	2	Hexagon screw	
30	897644	1	Tube	
31	853095	2	Washer	
32	959456	2	Hex. socket screw	
33	941808	2	Hex. socket screw	
34	941814	2	Stud	
35	940191	2	Washer	
36	943252	X	Shim	TH = 0,05 MM (967352)
	943866	X	Shim	TH = 0.10mm
	943867	X	Shim	TH = 0.20mm
	967557	X	Shim	TH = 0.30mm
	943868	X	Shim	TH = 0.40mm
37	804312	1	Cube	
38	940191	2	Washer	
39	17276	1	Split pin	
40	17253	2	Split pin	
41	813954	1	Fork	
42	192662	1	Split pin	
43	940190	1	Hexagon nut	
44	897448	1	Control rod	
45	851422	1	Reverse tilt inhibit	WHITE, REPL BY 854035
	854035	1	Latch	gray
46	851402	1	* Bearing sleeve	
47	814391	2	* Latch	
48	851403	1	* Lock brace	
49	851423	1	* Spindle	
50	854344	1	* Spindle	
51	940194	1	* Lubricating nipple	
52	943197	2	* Lock nut	INCLUDED IN REPAIR KIT 876265 FOR ASTERN LEVER.
53	851424	1	* Stop arm	INCLUDED IN REPAIR KIT 876265 FOR ASTERN LEVER.
54	832534	1	* Spring	INCLUDED IN REPAIR KIT 876265 FOR ASTERN LEVER.
55	814399	1	* Shaft	INCLUDED IN REPAIR KIT 876265 FOR ASTERN LEVER.
56	943194	2	* Washer	INCLUDED IN REPAIR KIT 876265 FOR ASTERN LEVER.
57	814396	1	* Spring	INCLUDED IN REPAIR KIT 876265 FOR ASTERN LEVER.
58	814332	2	* Spring	INCLUDED IN REPAIR KIT 876265 FOR ASTERN LEVER.
59	814392	1	* Spring hook	INCLUDED IN REPAIR KIT 876265 FOR ASTERN LEVER.
60	814419	1	* Shaft	INCLUDED IN REPAIR KIT 876265 FOR ASTERN LEVER.
61	814422	2	* Spacer washer	INCLUDED IN REPAIR KIT 876265 FOR ASTERN LEVER.
62	814393	1	* Spring hook	INCLUDED IN REPAIR KIT 876265 FOR ASTERN LEVER.
63	925256	1	O-ring	INCLUDED IN REPAIR KIT 876265 FOR ASTERN LEVER.
64	181620	2	Sealing ring	INCLUDED IN REPAIR KIT 876265 FOR ASTERN LEVER.
65	814356	1	Sealing	INCLUDED IN REPAIR KIT 876265 FOR ASTERN LEVER.
66	814390	1	Plastic washer	INCLUDED IN REPAIR KIT 876265 FOR ASTERN LEVER.
67	925259	1	O-ring	INCLUDED IN REPAIR KIT 876265 FOR ASTERN LEVER.
68	125017	2	O-ring	INCLUDED IN REPAIR KIT 876265 FOR ASTERN LEVER.
69	941885	2	Lock nut	INCLUDED IN REPAIR KIT 876265 FOR ASTERN LEVER.
70	941820	1	O-ring	INCLUDED IN REPAIR KIT 876265 FOR ASTERN LEVER.
71	876279	1	Bushing kit	
72	853223	2	* Bushing, BUSHING	INCLUDED IN REPAIR KIT 876265 FOR ASTERN LEVER., REPL BY 876279
	876265	1	* * Repair kit, ASTERN LEVER	(876075)



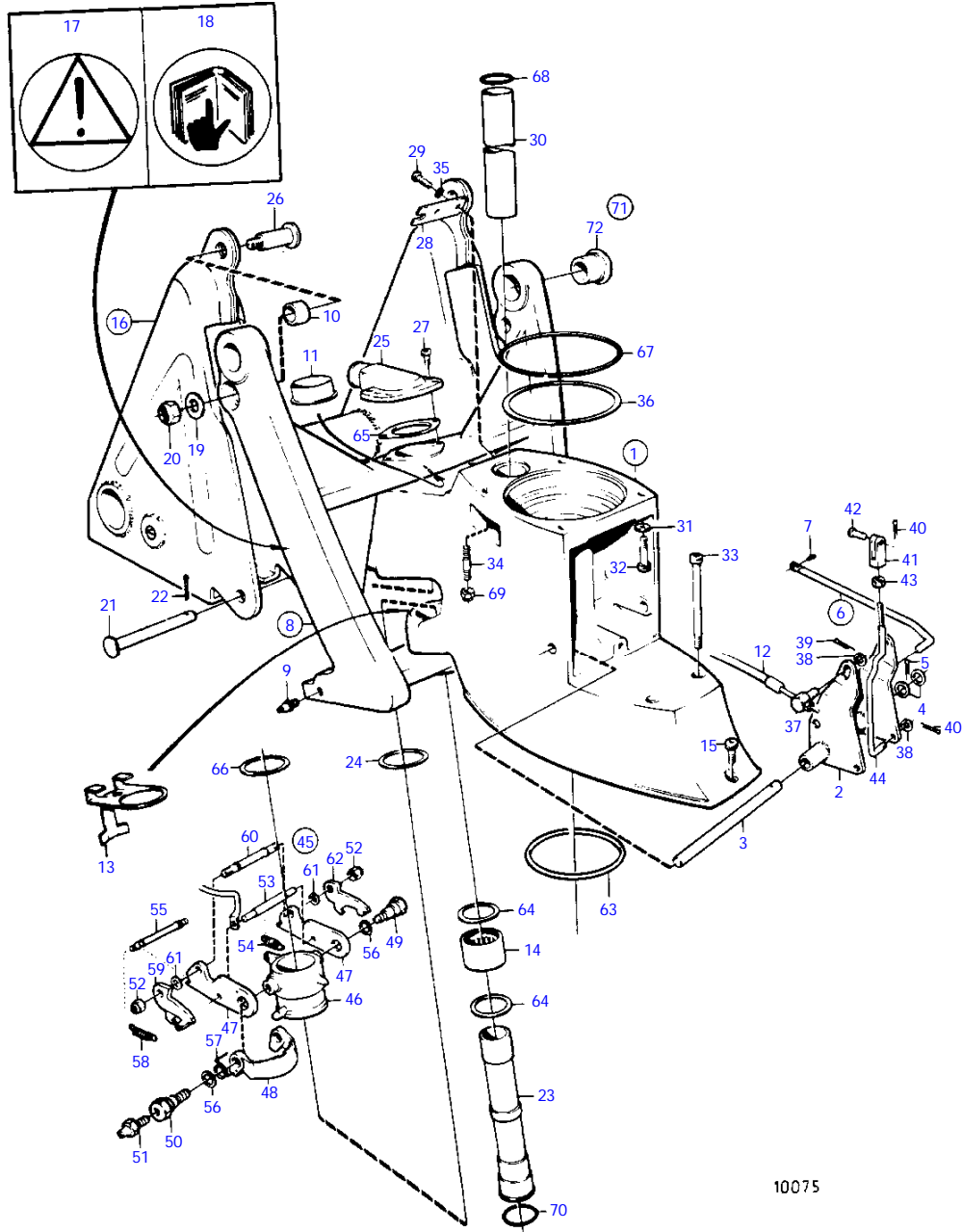
10029

REF	PART NO.	QTY	DESCRIPTION	NOTES
1	854050	1	Lower gear	ALSO AVAILABLE AS AN EXCHANGE PART., RATIO 2,30:1
2	854051	1	* Housing	
3	854053	1	** Bearing housing	
4	852643	2	** Attaching plate	
5	948338	6	** Blind rivet	
6	852644	1	** Check valve	
7	854054	1	* Fin	
8	941817	1	* Hex. socket screw	
8A	852183	1	* Countershaft	REPL BY 854611
9	854611	1	* Countershaft	
9A	184682	1	** Inner ring	FOR 854611
9B	969071	1	** Round nut	FOR 854611
9C	854533	1	** Cover	FOR 854611
10	184654	1	* Needle roller bushin	
11	184682	1	* Inner ring	FOR 852183
12	852380	1	* Drive gear set	RATIO 2,30:1
13	852212	1	* Nut	
14	941832	X	* Shim	TH = 0,05 MM
	941833	X	* Shim	TH = 0.20mm
15	183374	1	* Ball bearing	
16	944970	X	* Shim	
17	11072	1	* Roller bearing	
18	944522	X	* Shim	TH = 0,05 MM
	42981	X	* Shim	TH = 0.10mm
	968057	X	* Shim	TH = 0.20mm
	42980	X	* Shim	TH = 0.35mm
19	897387	1	* Tensioning ring	
20	907023	1	* Lock washer	
21	906633	1	* Round nut	FOR 852183
22	814482	1	* Oil strainer	
23	852904	1	* Magnetic plug	
24	955974	1	* O-ring	
25	852181	1	* Propeller shaft	
25A	11044	1	* Roller bearing	
26	184765	1	* Roller bearing, COMPL.	
26A	184690	1	** Inner ring	REPL BY 184765
27	184689	1	** Cup	OBSOLETE PART, REPL BY 184765
28	967352	X	* Shim	TH = 0,05 MM
	941823	X	* Shim	TH = 0.10mm
	967351	X	* Shim	TH=0,15mm
	941824	X	* Shim	TH = 0.20mm
	941825	X	* Shim	TH = 0.40mm
29	184691	1	* Roller bearing	
30	81374	X	* Shim	TH = 0.10mm
				REPL BY 191834
	81375	X	** Shim	TH=0,15mm
				REPL BY 191835
	81376	X	** Shim	TH = 0.35mm
				REPL BY 191837
30A	191834	X	**** Shim	TH = 0.10mm
30	191835	X	**** Shim	TH=0,15mm
	191837	X	**** Shim	TH = 0.25mm
31	925258	2	**** O-ring	
32	941812	2	**** Hex. socket screw	
33	875821	1	**** Zinc ring kit	
34	966808	2	**** Screw	
35	183859	1	**** Needle roller bushin	
36	184683	1	**** Inner ring	
37	851407	2	**** Sealing ring	
38	853440	1	**** Line cutter	(852198) FRONT
39	183272	1	**** Needle roller bushin	
40	853871	1	**** Sealing ring	
41	853869	1	**** Lock washer	
42	852196	1	**** Propeller nut	
43	853441	1	**** Line cutter	REAR
44	854666	1	**** Propeller cone kit	(854243)
45		1	***** PROPELLER CONE	
46	941670	1	***** Washer	
47	852216	1	***** Lock screw	
48	853676	1	***** Spacer ring	
49	854294	1	***** Plastic washer	REAR
50		1	***** PRESSURE WASHER	
51	853584	1	***** Plastic washer	FRONT
				REPL BY 854667
52	854667	1	***** Spare parts kit	
53	854294	1	***** Plastic washer	REAR
				REPL BY 854667
54		1	***** PRESSURE WASHER	
55	852201	1	***** Propeller nut	
56	941670	1	***** Washer	
57	852216	1	***** Lock screw	
58	853584	1	***** Plastic washer	FRONT
				REPL BY 854667
59	854667	1	***** Spare parts kit	
60	854294	1	***** Plastic washer	REAR
				REPL BY 854667
61		1	***** PRESSURE WASHER	
62	925256	1	O-ring	INCLUDED IN COMPLETE DUOPROP DRIVE UNIT.
63	850304	1	Splined sleeve	FOR 852183
64	941810	4	Hex. socket screw	INCLUDED IN COMPLETE DUOPROP DRIVE UNIT.



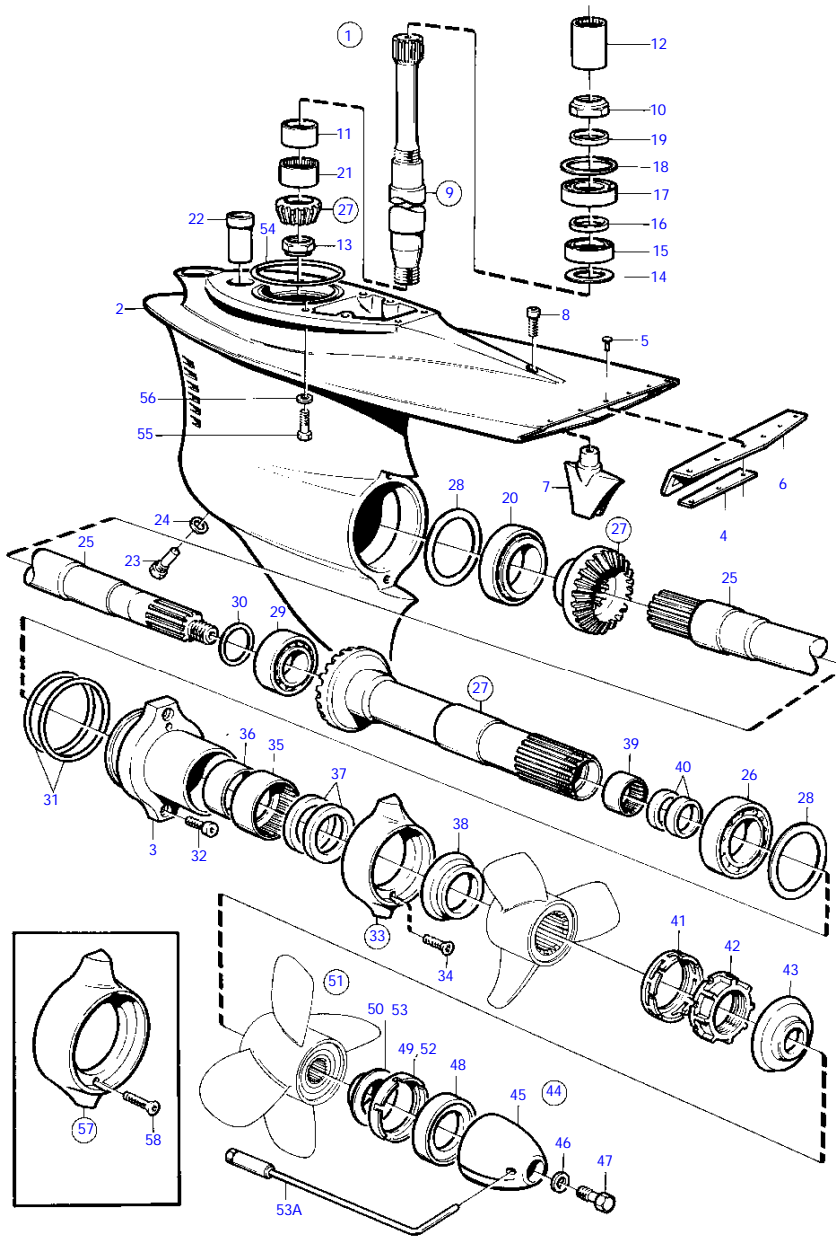
10472

REF	PART NO.	QTY	DESCRIPTION	SEE SEC.	NOTES
1	854936	1	Gear		ALSO AVAILABLE AS AN EXCHANGE PART.
2	854571	1	* Gear housing		
3	977241	2	* Stud		
4	854677	1	* Cardboard tube		
4A	854198	1	* Plastic plug		
5	814179	1	* Plug		
6	897682	1	* Gasket		
7	941807	3	* Hex. socket screw		
8	814643	1	* Hollow screw		
9	955989	1	* O-ring		
10	832669	1	* Gasket		
11	853669	1	* Gear set		
12	854025	1	* Bearing box		
13	853949	1	* Roller bearing		
14	183247	1	* Roller bearing		
15	852705	1	* Pivot pin		
15A	941807	2	* Hex. socket screw		
16	956591	4	* Hex. socket screw		
16A	942598	4	* Washer		
17	853484	1	* Pretensioning sleeve		
18	925095	1	* O-ring		
19	853034	X	* Shim		TH = 0.10mm
	853035		* Shim		TH=0,15mm
	853036		* Shim		TH = 0.35mm
20	839253	1	* Sealing ring		
21	832675	1	* Washer		
22	956000	1	* O-ring		
23	914538	1	* Snap ring		
24	872089	1	* Universal joint		
			Bulletin P-44-1-5	P-44-1-5-EN	U-joints
25	854616	1	* * Fork		
26	854617	1	* * Fork		
27	872088	1	* * Intermediate section		
28	854619	2	* * Spider		
29	24383	8	* * Lock ring		
30	854201	1	* Screw		
31	853026	1	* Washer		
32	854670	2	* Ball bearing		
33	943869	X	* Shim		TH = 0.05 MM
	946179	X	* Shim		TH = 0.10mm
	943870	X	* Shim		TH = 0.20mm
34	941826	X	* Shim		TH = 0.05 MM
	941827	X	* Shim		TH = 0.20mm
	948230	X	* Shim		TH = 0.35mm
35	897385	1	* Shaft		
36	814601	1	* Sliding sleeve		
			Bulletin P-44-1-8	P-44-1-8-EN	Shift mechanism, shift cone and shoe
			Bulletin P-44-1-18	P-44-1-18-EN	Shift Cone
37	813970	1	* Spring		
38	26411	1	* Shim		
39	951077	1	* Snap ring		
40	853819	2	* Needle bearing		
41	897313	1	* Spacer ring		
42	897312	2	* Lock ring		
43	839332	1	* Nut		TH = 2,00 MM
	839333	1	* Nut		TH = 2,37 MM
	839334	1	* Nut		TH = 2,65 MM
44	839504	1	* Shift mechanism		
45	839505	1	* * Bearing housing		
46	897816	1	* * Eccentric piston		
			Bulletin P-44-1-7	P-44-1-7-EN	Shift mechanism, eccentric piston
47	814603	1	* * Dog		
48	814184	1	* * Spring		
49	897711	1	* * Screw		
50	897871	X	* * Shim		
51	853868	1	* * Sealing ring		
52	951924	1	* * Spring pin		
53	942871	1	* * Clevis pin		
54	925093	1	* * O-ring		
55	940169	4	* Hexagon screw		
56	876294	1	* Bellows kit		
			Bulletin P-44-1-11	P-44-1-11-EN	DPH/DPR U-Joint Bellows
57	853013	1	* * Hose clamp		
58	853012	1	* * Hose clamp		
59	839351	1	* Oil dipstick		
60	955974	1	* O-ring		
61	853706	1	* Type plate		
62	804269	2	* Drive screw		
63	854179	1	* Anchorage		
64	854036	1	Cover		INCLUDED IN COMPLETE DRIVE UNIT
65	854180	1	* Locating pin		INCLUDED IN COMPLETE DRIVE UNIT, OBSOLETE PART
66	854661	1	Screw		INCLUDED IN COMPLETE DRIVE UNIT
67	854137	1	Sign		INCLUDED IN COMPLETE DRIVE UNIT
68	854142	1	Sign		INCLUDED IN COMPLETE DRIVE UNIT, P
	854143	1	Sign		INCLUDED IN COMPLETE DRIVE UNIT, S.B
69	854144	1	Sign		INCLUDED IN COMPLETE DRIVE UNIT



10075

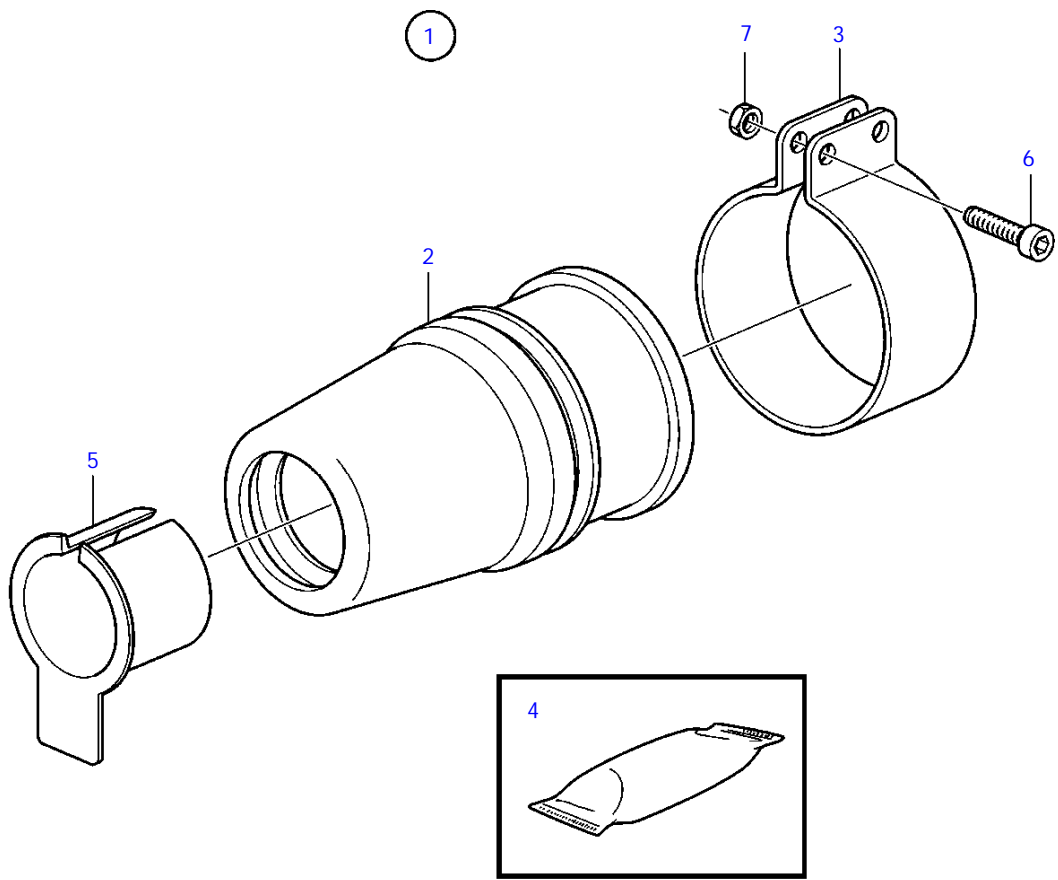
REF	PART NO.	QTY	DESCRIPTION	NOTES
1	852851	1	Intermediate housing	WHITE, REPL BY 854033
	854033	1	Intermediate housing	gray
2	897829	1	* Gear yoke	
3	897447	1	* Shaft	
4	897511	2	* Washer	
5	17253	1	* Split pin	
6	851412	1	* Reverse locking rod	
7	967556	1	* * Spring pin	
8	852869	1	* Fork	WHITE, REPL BY 854100
	854100	1	* Suspension fork	gray
9	940194	1	* Lubricating nipple	
10	852912	2	* Bushing	
11	853062	1	* Bearing bushing	
12		X	CONTROL CABLE	SEE GROUP 9
13	853967	1	Guide washer	
14	183391	1	Needle roller bushin	
15	941809	1	Hex. socket screw	
16	853310	1	Cylinder anchorage	WHITE, REPL BY 854034
	854034	1	Cylinder anchorage	gray, REPL BY 854550
	854550	1	Cylinder anchorage	gray
17	853717	1	* Decal	
18	853716	1	* Decal	OBSOLETE PART
19	853071	2	Washer	
20	946672	2	Lock nut	
21	853309	2	Clevis pin	
22	967707	2	Split pin	
23	814386	1	Steering knuckle	
24	897696	2	Washer	
25	851766	1	Hose connection	WHITE, REPL BY 854031
	854031	1	Hose connection	gray
26	853308	2	Shoulder screw	
27	941813	2	Hex. socket screw	
28	853078	1	Cable attachment	
29	940168	2	Hexagon screw	
30	897644	1	Tube	
31	853095	2	Washer	
32	959456	2	Hex. socket screw	
33	941808	2	Hex. socket screw	
34	941814	2	Stud	
35	940191	2	Washer	
36	943252	X	Shim	TH = 0,05 MM (967352)
	943866	X	Shim	TH = 0.10mm
	943867	X	Shim	TH = 0.20mm
	967557	X	Shim	TH = 0.30mm
	943868	X	Shim	TH = 0.40mm
37	804312	1	Cube	
38	940191	2	Washer	
39	17276	1	Split pin	
40	17253	2	Split pin	
41	813954	1	Fork	
42	192662	1	Split pin	
43	940190	1	Hexagon nut	
44	897448	1	Control rod	
45	851422	1	Reverse tilt inhibit	WHITE, REPL BY 854035
	854035	1	Latch	gray
46	851402	1	* Bearing sleeve	
47	814391	2	* Latch	
48	851403	1	* Lock brace	
49	851423	1	* Spindle	
50	854344	1	* Spindle	
51	940194	1	* Lubricating nipple	
52	943197	2	* Lock nut	INCLUDED IN REPAIR KIT 876265 FOR ASTERN LEVER.
53	851424	1	* Stop arm	INCLUDED IN REPAIR KIT 876265 FOR ASTERN LEVER.
54	832534	1	* Spring	INCLUDED IN REPAIR KIT 876265 FOR ASTERN LEVER.
55	814399	1	* Shaft	INCLUDED IN REPAIR KIT 876265 FOR ASTERN LEVER.
56	943194	2	* Washer	INCLUDED IN REPAIR KIT 876265 FOR ASTERN LEVER.
57	814396	1	* Spring	INCLUDED IN REPAIR KIT 876265 FOR ASTERN LEVER.
58	814332	2	* Spring	INCLUDED IN REPAIR KIT 876265 FOR ASTERN LEVER.
59	814392	1	* Spring hook	INCLUDED IN REPAIR KIT 876265 FOR ASTERN LEVER.
60	814419	1	* Shaft	INCLUDED IN REPAIR KIT 876265 FOR ASTERN LEVER.
61	814422	2	* Spacer washer	INCLUDED IN REPAIR KIT 876265 FOR ASTERN LEVER.
62	814393	1	* Spring hook	INCLUDED IN REPAIR KIT 876265 FOR ASTERN LEVER.
63	925256	1	O-ring	INCLUDED IN REPAIR KIT 876265 FOR ASTERN LEVER.
64	181620	2	Sealing ring	INCLUDED IN REPAIR KIT 876265 FOR ASTERN LEVER.
65	814356	1	Sealing	INCLUDED IN REPAIR KIT 876265 FOR ASTERN LEVER.
66	814390	1	Plastic washer	INCLUDED IN REPAIR KIT 876265 FOR ASTERN LEVER.
67	925259	1	O-ring	INCLUDED IN REPAIR KIT 876265 FOR ASTERN LEVER.
68	125017	2	O-ring	INCLUDED IN REPAIR KIT 876265 FOR ASTERN LEVER.
69	941885	2	Lock nut	INCLUDED IN REPAIR KIT 876265 FOR ASTERN LEVER.
70	941820	1	O-ring	INCLUDED IN REPAIR KIT 876265 FOR ASTERN LEVER.
71	876279	1	Bushing kit	
72	853223	2	* Bushing, BUSHING	INCLUDED IN REPAIR KIT 876265 FOR ASTERN LEVER., REPL BY 876279
	876265	1	* * Repair kit, ASTERN LEVER	(876075)



10810

REF	PART NO.	QTY	DESCRIPTION	SEE SEC.	NOTES
1	854641	1	Lower gear		ALSO AVAILABLE AS AN EXCHANGE PART.
2	854051	1	* Housing		
3	854053	1	* * Bearing housing		
4	852643	2	* * Attaching plate		
5	948338	6	* * Blind rivet		
6	852644	1	* * Check valve		
7	854054	1	* Fin		
8	941817	1	* Hex. socket screw		
9	854611	1	* Countershaft		
10	969071	1	* * Round nut		
11	184682	1	* * Inner ring		
12	854553	1	* * Splined sleeve		
			Bulletin P-44-1-6	P-44-1-6-EN	Lower Gear Unit
13	852212	1	* Nut		
14	941832	X	* Shim		TH = 0,05 MM
	941833	X	* Shim		TH = 0,20mm
15	183374	1	* Ball bearing		
16	944970	X	* Shim		
17	11072	1	* Roller bearing		
18	944522	X	* Shim		TH = 0,05 MM
	42981	X	* Shim		TH = 0,10mm
	968057	X	* Shim		TH = 0,20mm
	42980	X	* Shim		TH = 0,35mm
19	897387	1	* Tensioning ring		
20	11044	1	* Roller bearing		
21	184654	1	* Needle roller bushin		
22	814482	1	* Oil strainer		
23	852904	1	* Magnetic plug		
24	955974	1	* O-ring		
25	852181	1	* Propeller shaft		
26	184765	1	* Roller bearing		
27	852380	1	* Drive gear set		RATIO 2,30:1
28	967352	X	* Shim		TH = 0,05 MM
	941823	X	* Shim		TH = 0,10mm
	967351	X	* Shim		TH=0,15mm
	941824	X	* Shim		TH = 0,20mm
	941825	X	* Shim		TH = 0,40mm
29	184691	1	* Roller bearing		
30	191834	X	* Shim		TH = 0,10mm
	191835	X	* Shim		TH=0,15mm
	191837	X	* Shim		TH = 0,25mm
31	925258	2	* O-ring		
32	941812	2	* Hex. socket screw		
33	875821	1	* Zinc ring kit		
34	966808	2	* * Screw		
35	183859	1	* Needle roller bushin		
36	184683	1	* Inner ring		
37	851407	2	* Sealing ring		
38	853440	1	* Line cutter		FRONT
39	183272	1	* Needle roller bushin		
40	853871	1	* Sealing ring		
41	853869	1	* Lock washer		
42	852196	1	* Propeller nut		
43	853441	1	* Line cutter		REAR
44	854666	1	* Propeller cone kit		(854243)
45		1	* * PROPELLER CONE		
46	941670	1	* * Washer		
47	852216	1	* * Lock screw		
47A	853676	1	* * Spacer ring		
48	854294	1	* * Plastic washer		REAR
49		1	* * PRESSURE WASHER		
50	853584	1	* Plastic washer		FRONT
					REPL BY 854667
51	854667	1	* * Spare parts kit		SN 3102092922-
52	854294	1	* * * Plastic washer		REAR
					REPL BY 854667
53		1	* * * PRESSURE WASHER		
53A	854669		* * * * Tool kit		SEE GROUP 9
54	925256	1	O-ring		INCLUDED IN COMPLETE DUOPROP DRIVE UNIT.
55	941810	4	Hex. socket screw		INCLUDED IN COMPLETE DUOPROP DRIVE UNIT.
56	853095	4	Washer		INCLUDED IN COMPLETE DUOPROP DRIVE UNIT.
57	876138	1	Anode kit		TO BE USED IN FRESH-WATER.
58	966808	2	* Screw		

MD31A, TMD31A, TMD31B, TAMD31A, TAMD31B, AQAD31A, AD31A, AD31B

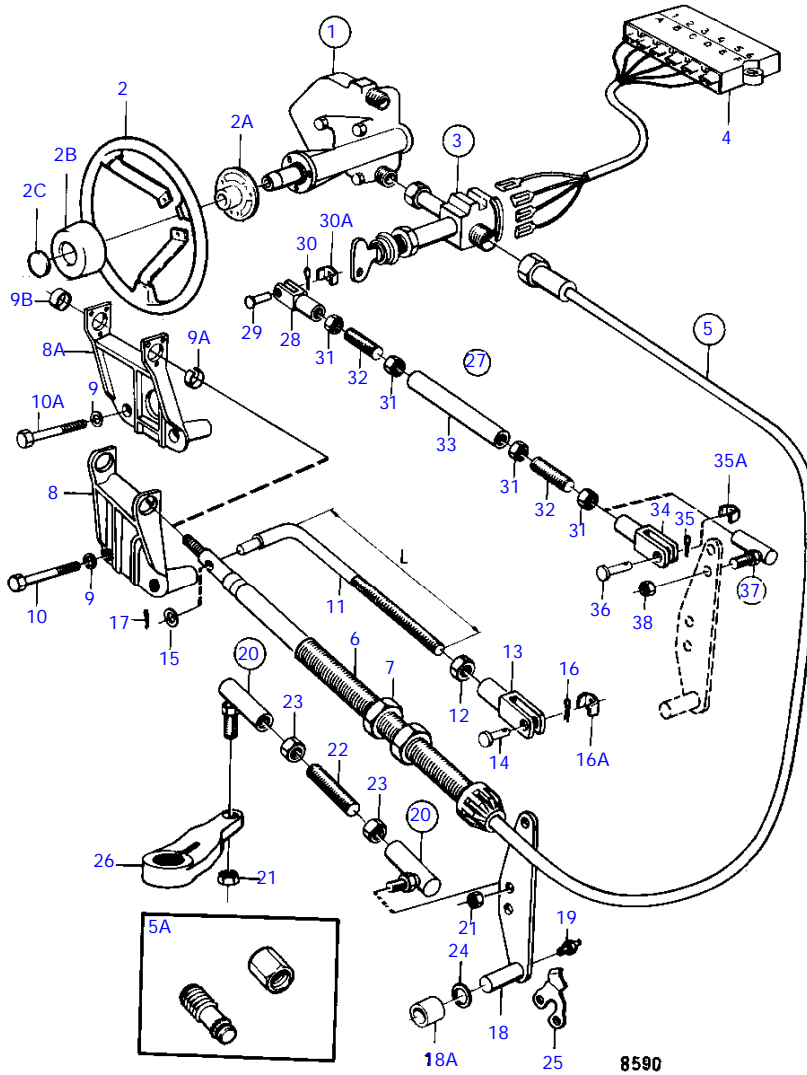


6147

MD31A, TMD31A, TMD31B, TAMD31A, TAMD31B, AQAD31A, AD31A, AD31B

REF	PART NO.	QTY	DESCRIPTION	SEE SEC.	NOTES
1	3819722	1	Sealing sleeve, kit * Bulletin P-44-6-1	P-44-6-1-EN	For 45mm propeller shaft. Rubber Stuffing Box
1	3819723	1	Sealing sleeve, kit * Bulletin P-44-6-1	P-44-6-1-EN	For 50mm propeller shaft. Rubber Stuffing Box
1	3819724	1	Sealing sleeve, kit * Bulletin P-44-6-1	P-44-6-1-EN	For 1" propeller shaft. Rubber Stuffing Box
1	3819725	1	Sealing sleeve, kit * Bulletin P-44-6-1	P-44-6-1-EN	For 1 1/4" propeller shaft. Rubber Stuffing Box
1	3819726	1	Sealing sleeve, kit * Bulletin P-44-6-1	P-44-6-1-EN	For 1 1/2" propeller shaft. Rubber Stuffing Box
1	3819727	1	Sealing sleeve, kit * Bulletin P-44-6-1	P-44-6-1-EN	For 1 3/4" propeller shaft. Rubber Stuffing Box
1	3819728	1	Sealing sleeve, kit * Bulletin P-44-6-1	P-44-6-1-EN	For 2" propeller shaft. Rubber Stuffing Box
2		1	* Sealing sleeve		
3	3818506	1	* Clamp		For 45mm, 50mm, 1 3/4" and 2" propeller shaft.
	828142	1	* Clamp		For 1" propeller shaft.
	828418	1	* Clamp		For 1 1/4" propeller shaft.
	828528	1	* Clamp		For 1 1/2" propeller shaft.
4	828250	1	* Lubricating grease * Bulletin P-18-4-6	P-18-4-6-EN	Water resistant grease for grease gun
5		1	* Sleeve		
6	963684	2	* Hex. socket screw		
7	966170	2	* Lock nut		

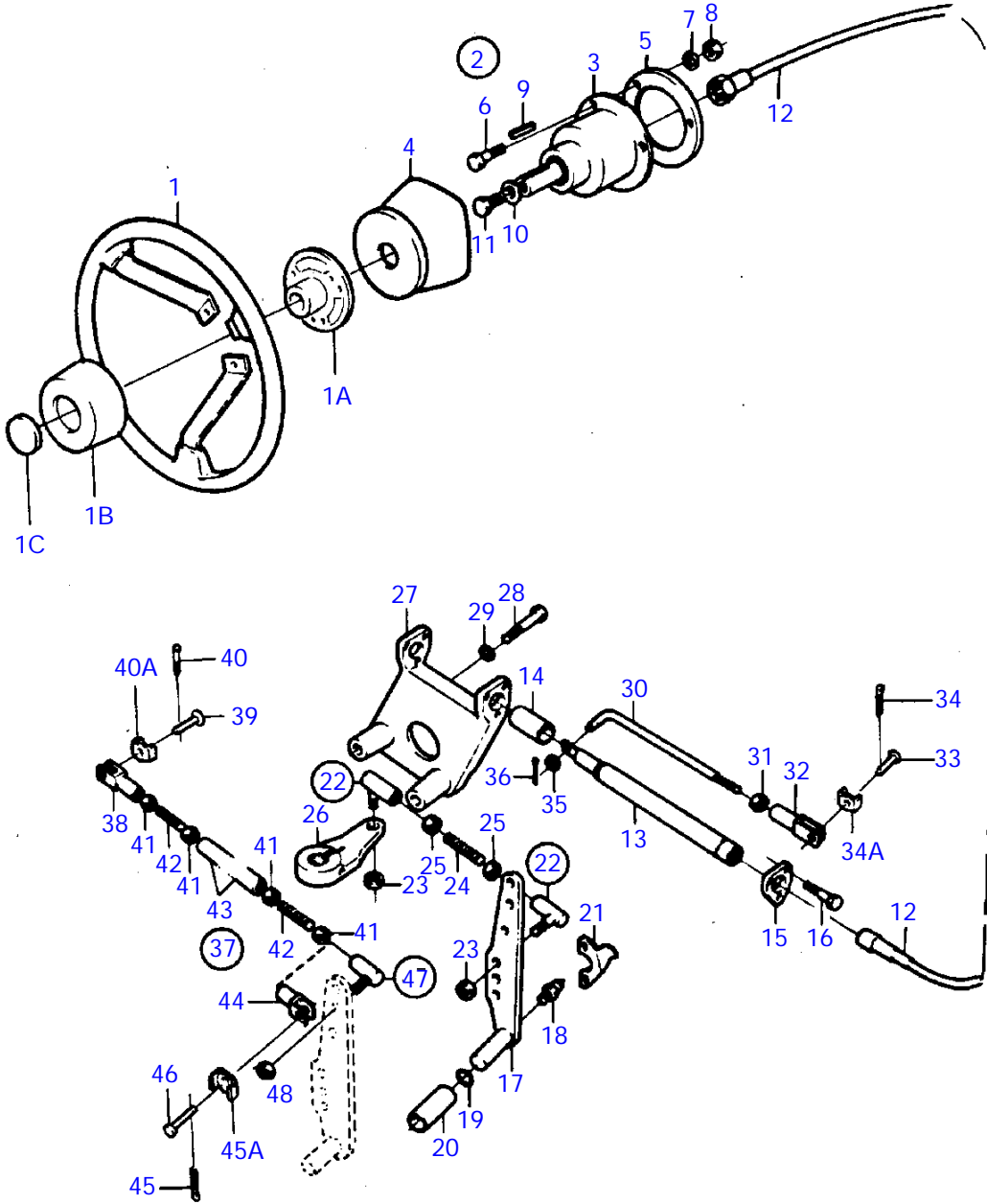
MD31A, TMD31A, TMD31B, TAMD31A, TAMD31B, AQAD31A, AD31A, AD31B



MD31A, TMD31A, TMD31B, TAMD31A, TAMD31B, AQAD31A, AD31A, AD31B

REF	PART NO.	QTY	DESCRIPTION	SEE SEC.	NOTES
1	850809	1	Steering head		
				19303	
2	850936	1	Steering wheel		(814138)
2A		1	* STEERING WHEEL HUB		
2B	828943	1	* Steering wheel pad		OBSOLETE PART
2C	850938	1	* Emblem		OBSOLETE PART
3	839544	1	Steering lock		OBSOLETE PART
				19304	
4	839617	1	Extension cable'verl		OBSOLETE PART
5	850810	X	Steering cable		L = 3000 MM
	850811	X	Steering cable		REPLACED BY STEERING CABLE 853186 AND ADAPTER 853214, L = 3300 MM
	853186	X	Steering cable		L = 3300 MM
	850812	X	Steering cable		REPLACED BY STEERING CABLE 853188 AND ADAPTER 853214, L = 3600 MM
	853188	X	Steering cable		L = 3750 MM
	850813	X	Steering cable		L = 3900 MM
	850814	X	Steering cable		L = 4200 MM
	850815	X	Steering cable		REPLACED BY STEERING CABLE 853191 AND ADAPTER 853214, L = 4500 MM
	853191	X	Steering cable		L = 4500 MM
	850816	X	Steering cable		REPLACED BY STEERING CABLE 853192 AND ADAPTER 853214, L = 4800 MM
	853192	X	Steering cable		L = 4800 MM
	850817	X	Steering cable		L = 5100 MM
	850818	X	Steering cable		REPLACED BY STEERING CABLE 853194 AND ADAPTER 853214, L = 5500 MM
	853194	X	Steering cable		L = 5500 MM
	850820	X	Steering cable		REPLACED BY STEERING CABLE 853195 AND ADAPTER 853214, L = 6100 MM
	853195	X	Steering cable		L = 6000 MM
	850822	X	Steering cable		REPLACED BY STEERING CABLE 828866 AND ADAPTER 853214, L = 6700 MM
	828866	X	Steering cable		L = 6750 MM
	850826	X	Steering cable		REPLACED BY STEERING CABLE 853287 AND ADAPTER 853214, L = 7900 MM
	853287	X	Steering cable		L = 8000 MM
	850828	X	Steering cable		REPLACED BY STEERING CABLE 853288 AND ADAPTER 853214, L = 8500 MM
	853288	X	Steering cable		L = 8500 MM
5A	853214	X	Adapter		
6	850771	1	Anchorage		(835693)
7	850778	4	Nut		(955861)
8		1	BRACKET		REPLACED BY 1EA BRACKET 850958, 2EA BOLT 955541, 1EA BUSHING 850959, 1EA BUSHING 850960.
8A	850958	1	Guide bracket		OBSOLETE PART
9	942336	2	Spring washer		
9A	850960	1	Bushing		OBSOLETE PART
9B	850959	1	Bushing		OBSOLETE PART
10	955542	2	Hexagon screw		L = 83 MM
10A	955541	2	Hexagon screw		L = 76 MM
11	850478	1	Link rod		L = 318 MM, OBSOLETE PART
	850479	1	Link rod		L = 195 MM, OBSOLETE PART
12	940154	1	Hexagon nut		
13	956511	1	Fork		OBSOLETE PART
14	913158	1	Clevis pin		
15	940097	1	Washer		
16	907856	1	Split pin		
16A	853160	1	* Lock washer		DRIVE UNIT 290
17	964960	1	Split pin		
18	851385	1	Link arm		OBSOLETE PART
18A	850653	1	Bushing		SEE GROUP 4A
19	914169	1	Lubricating nipple		
20	875772	2	Ball joint kit		OBSOLETE PART
21	851326	2	* Nut		
22	850736	1	Control rod		
23	940152	2	Hexagon nut		
24	955906	1	Washer		
25	850489	1	Stop arm		OBSOLETE PART
26	850488	1	Spindle arm		SEE GROUP 4A
27	828913	1	Link stay		ONLY FOR TWIN INSTALLATION., ADJUSTABLE BETWEEN 610-1000 MM, OBSOLETE PART
	851497	1	Tie rod end kit		ONLY FOR TWIN INSTALLATION., (850673), OBSOLETE PART
	850776	1	Tie rod		ONLY FOR TWIN INSTALLATION., ADJUSTABLE BETWEEN 540-800MM., REPL BY 828913, OBSOLETE PART
28	956511	1	* Fork		OBSOLETE PART
29	913158	1	* Clevis pin		
30	907856	1	* Split pin		
30A	853160	1	* Lock washer		DRIVE UNIT 290
31	940154	4	* Hexagon nut		
32	839577	2	* Rod		OBSOLETE PART
33	839576	1	* Tube		L = 560 MM, OBSOLETE PART
	850775	1	* Tube		ONLY INCLUDED IN 850776., L = 360 MM, OBSOLETE PART
34	956511	1	* Fork		ONLY INCLUDED IN 850674., OBSOLETE PART
35	907856	1	* Split pin		
35A	853160	1	* Lock washer		DRIVE UNIT 290
36	913158	1	* Clevis pin		
37	814152	1	* Ball joint		ONLY INCLUDED IN 850673., OBSOLETE PART
38	950386	1	* Lock nut		ONLY INCLUDED IN 850673.

AQAD31A, AD31A

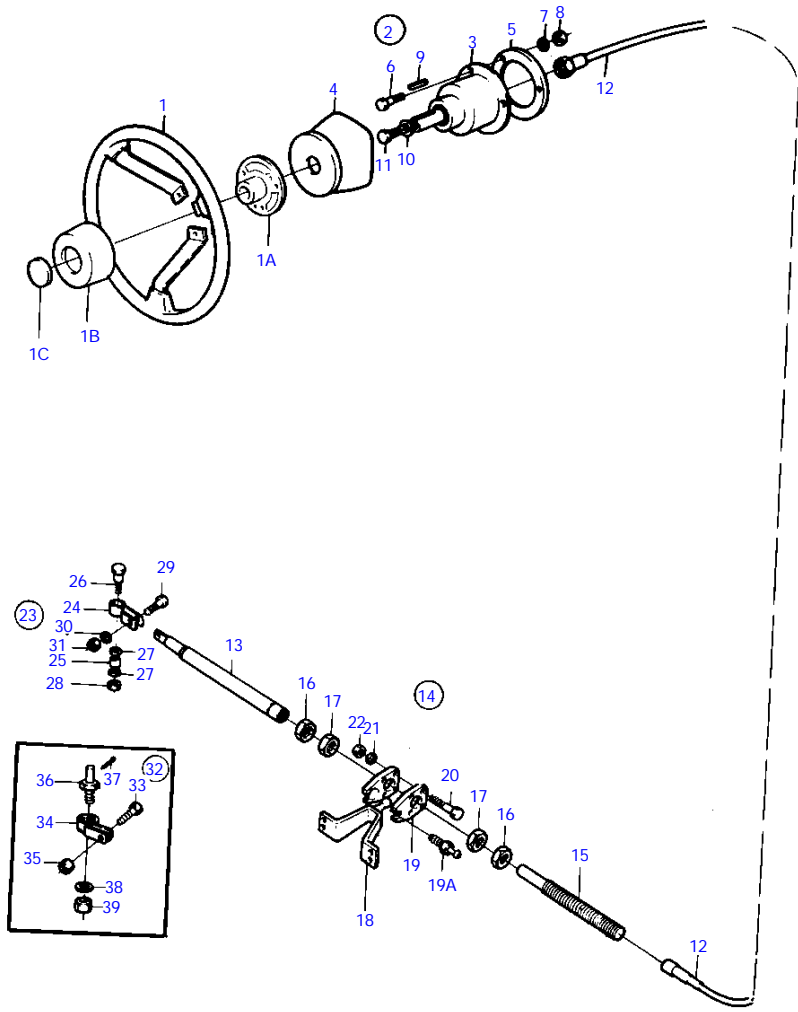


7535

AQAD31A, AD31A

REF	PART NO.	QTY	DESCRIPTION	NOTES
1	850936	1	Steering wheel	
1A		1	* STEERING WHEEL HUB	
1B	828943	1	* Steering wheel pad	OBSOLETE PART
1C	850938	1	* Emblem	OBSOLETE PART
2	851056	1	Steering gear	OBSOLETE PART
3		1	* STEERING GEAR	
4	851057	1	* Cover	OBSOLETE PART
5	851069	1	* Washer	OBSOLETE PART
6	940101	3	* Hexagon screw	
7	941906	3	* Spring washer	(955892)
8	955781	3	* Hexagon nut	
9	851349	1	* Key	OBSOLETE PART
10	948823	1	* Washer	OBSOLETE PART
11	970944	1	* Hexagon screw	(940148)
12	852035	X	Steering cable	OBSOLETE PART, L = 800 MM
	851016	X	Steering cable, STEERING CABLE	OBSOLETE PART, L = 2500 MM
				REPL BY 851017
	851017	X	Steering cable	OBSOLETE PART, L = 2750mm
	851018	X	Steering cable	OBSOLETE PART, L = 3000 MM
	851019	X	Steering cable, STEERING CABLE	OBSOLETE PART, L = 3250mm
				REPL BY 851020
	851020	X	Steering cable	OBSOLETE PART, L = 3500mm
	851021	X	Steering cable	OBSOLETE PART, L = 3750 MM
	851022	X	Steering cable	OBSOLETE PART, L = 4000 MM
	851023	X	Steering cable	OBSOLETE PART, L = 4250 MM
	851024	X	Steering cable	OBSOLETE PART, L = 4500 MM
	851025	X	Steering cable	OBSOLETE PART, L = 4750mm
	851026	X	Steering cable	OBSOLETE PART, L = 5000 MM
	851027	X	Steering cable	OBSOLETE PART, L = 5250mm
	851028	X	Steering cable	OBSOLETE PART, L = 5500 MM
	851029	X	Steering cable	OBSOLETE PART, L = 5750mm
	851030	X	Steering cable	OBSOLETE PART, L = 6000 MM
	851031	X	Steering cable	OBSOLETE PART, L = 6500mm
	851032	X	Steering cable	OBSOLETE PART, L = 7000 MM
	851033	X	Steering cable	OBSOLETE PART, L = 7500 MM
	851034	X	Steering cable	OBSOLETE PART, L = 8000 MM
	851921	X	Steering cable	OBSOLETE PART, L = 8500 MM
	851922	X	Steering cable	OBSOLETE PART, L = 9000 MM
	851923	X	Steering cable	OBSOLETE PART, L = 9500 MM
13	851059	1	Steering cylinder	OBSOLETE PART, FOR PORT MOUNTING.
	851147	1	Steering cylinder	OBSOLETE PART, FOR STARBOARD MOUNTING.
14	851094	1	* Spacer sleeve	OBSOLETE PART
15	850961	1	* Washer	OBSOLETE PART
16	851319	3	* Screw	OBSOLETE PART
17	851385	1	Link arm	OBSOLETE PART
18	914169	1	Lubricating nipple	
19	955906	1	Washer	
20	850653	1	Bushing	SEE GROUP 4A
21	850489	1	Stop arm	OBSOLETE PART
22	875772	2	Ball joint kit	OBSOLETE PART
23	851326	2	* Nut	
24	850736	1	Control rod	
25	940152	2	Hexagon nut	
26	850488	1	Spindle arm	SEE GROUP 4A
27	850958	1	Guide bracket	OBSOLETE PART
28	955541	2	Hexagon screw	
29	942336	2	Spring washer	
30	850478	1	Link rod	OBSOLETE PART
31	940154	1	Hexagon nut	
32	956511	1	Fork	OBSOLETE PART
33	913158	1	Clevis pin	
34	907856	1	Split pin	
34A	853160	1	* Lock washer	
35	940097	1	Washer	
36	964960	1	Split pin	
37	828913	1	Link stay	OBSOLETE PART, ONLY FOR TWIN INSTALLATION., ADJUSTABLE BETWEEN 610-1000 MM
	850776	1	Tie rod	OBSOLETE PART, ONLY FOR TWIN INSTALLATION., ADJUSTABLE BETWEEN 540-800MM., REPL BY 828913
38	956511	1	* Fork	OBSOLETE PART
39	913158	1	* Clevis pin	
40	907856	1	* Split pin	
40A	853160	1	* Lock washer	
41	940154	4	* Hexagon nut	
42	839577	2	* Rod	OBSOLETE PART
43	839576	1	* Tube	OBSOLETE PART, L = 560 MM
	850775	1	* Tube	OBSOLETE PART, ONLY INCLUDED IN 850776., L = 360 MM
44	956511	1	* Fork	OBSOLETE PART
45	907856	1	* Split pin	
45A	853160	1	* Lock washer	
46	913158	1	* Clevis pin	
47	814152	1	* Ball joint	OBSOLETE PART
48	950386	1	* Lock nut	ONLY INCLUDED IN 850673.

MD31A, TMD31A, TMD31B, TAM31A, TAM31B, AQAD31A, AD31A, AD31B



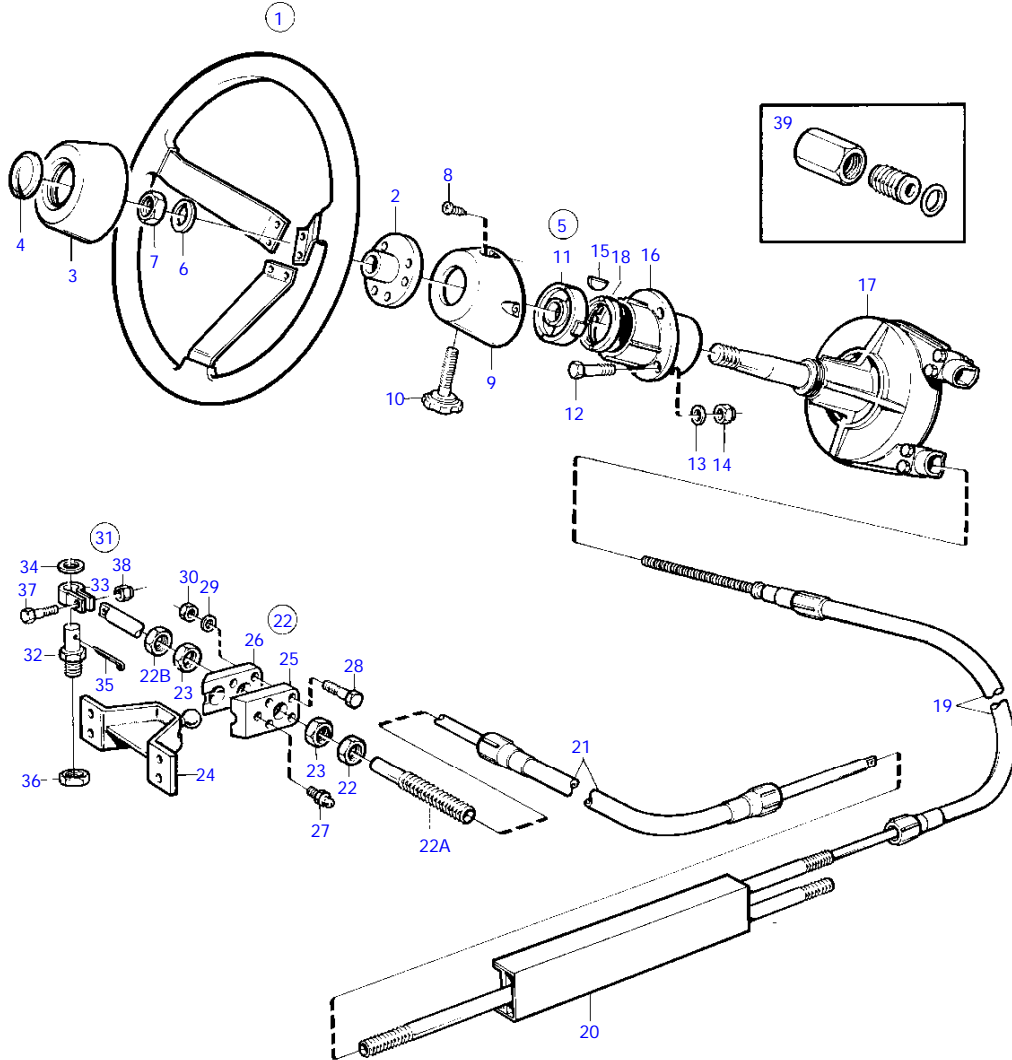
8522



MD31A, TMD31A, TMD31B, TAMD31A, TAMD31B, AQAD31A, AD31A, AD31B

REF	PART NO.	QTY	DESCRIPTION	NOTES
1	850936	1	Steering wheel	
1A		1	* STEERING WHEEL HUB	
1B	828943	1	* Steering wheel pad	OBSOLETE PART
1C	850938	1	* Emblem	OBSOLETE PART
2	851056	1	Steering gear	OBSOLETE PART
3		1	* STEERING GEAR	
4	851057	1	* Cover	OBSOLETE PART
5	851069	1	* Washer	OBSOLETE PART
6	940101	3	* Hexagon screw	
7	941906	3	* Spring washer	(955892)
8	955781	3	* Hexagon nut	
9	851349	1	* Key	OBSOLETE PART
10	948823	1	* Washer	OBSOLETE PART
11	970944	1	* Hexagon screw	(940148)
12	852035	X	Steering cable	L = 800 MM, OBSOLETE PART
	851016	X	Steering cable, STEERING CABLE	L = 2500 MM, OBSOLETE PART REPL BY 851017
	851017	X	Steering cable	L = 2750mm, OBSOLETE PART
	851018	X	Steering cable	L = 3000 MM, OBSOLETE PART
	851019	X	Steering cable, STEERING CABLE	L = 3250mm, OBSOLETE PART REPL BY 851020
	851020	X	Steering cable	L = 3500mm, OBSOLETE PART
	851021	X	Steering cable	L = 3750 MM, OBSOLETE PART
	851022	X	Steering cable	L = 4000 MM, OBSOLETE PART
	851023	X	Steering cable	L = 4250 MM, OBSOLETE PART
	851024	X	Steering cable	L = 4500 MM, OBSOLETE PART
	851025	X	Steering cable	L = 4750mm, OBSOLETE PART
	851026	X	Steering cable	L = 5000 MM, OBSOLETE PART
	851027	X	Steering cable	L = 5250mm, OBSOLETE PART
	851028	X	Steering cable	L = 5500 MM, OBSOLETE PART
	851029	X	Steering cable	L = 5750mm, OBSOLETE PART
	851030	X	Steering cable	L = 6000 MM, OBSOLETE PART
	851031	X	Steering cable	L = 6500mm, OBSOLETE PART
	851032	X	Steering cable	L = 7000 MM, OBSOLETE PART
	851033	X	Steering cable	L = 7500 MM, OBSOLETE PART
	851034	X	Steering cable	L = 8000 MM, OBSOLETE PART
	851921	X	Steering cable	L = 8500 MM, OBSOLETE PART
	851922	X	Steering cable	L = 9000 MM, OBSOLETE PART
	851923	X	Steering cable	L = 9500 MM, OBSOLETE PART
13	851059	1	Steering cylinder	FOR PORT MOUNTING., OBSOLETE PART
	851147	1	Steering cylinder	FOR STARBOARD MOUNTING., OBSOLETE PART
14	853290	1	Stern attachment	
15	850771	1	* Anchorage	
16	850778	2	* Nut	
17	853306	2	* Nut	
18	851093	1	* Bracket	
19	828854	2	* Anchorage	EARLY TYPE
	828854	1	* Anchorage	LATE TYPE
	828857	1	* Anchorage	LATE TYPE
19A	951739	1	* Lubricating nipple	FOR 828857
20	940101	4	* Hexagon screw	EARLY TYPE
	940101	2	* Hexagon screw	LATE TYPE
21	941906	4	* Spring washer	EARLY TYPE
	941906	2	* Spring washer	LATE TYPE
22	963105	4	* Lock nut	EARLY TYPE
	963105	2	* Lock nut	LATE TYPE
23	851122	1	* Ball joint kit	REPL BY 828924
24		1	* * BRACKET	
25	851121	1	* * Sleeve	OBSOLETE PART
26	851117	1	* * Shoulder screw	OBSOLETE PART
27	942551	2	* * Washer	
28	966172	1	* * Lock nut	OBSOLETE PART
29	851118	1	* * Shoulder screw	OBSOLETE PART
30	941670	1	* * Washer	
31	966171	1	* * Lock nut	
32	828924	1	* Ball joint kit	(851122)
33	851118	1	* Shoulder screw	OBSOLETE PART
34		1	* BRACKET	
35	966171	1	* Lock nut	
36		1	* SPLIT PIN SCREW	
37	967707	1	* Split pin	
38	955897	1	* Washer	
39	963119	1	* Lock nut	

MD31A, TMD31A, TMD31B, TAMD31A, TAMD31B, AQAD31A, AD31A, AD31B

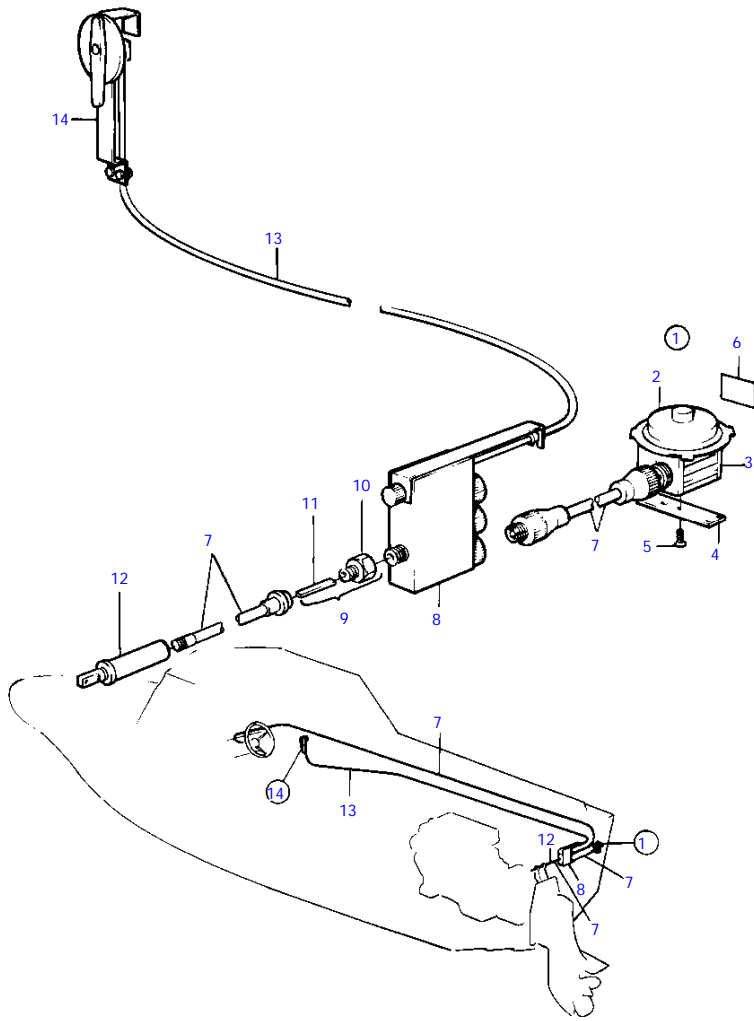


10870

MD31A, TMD31A, TMD31B, TAMD31A, TAMD31B, AQAD31A, AD31A, AD31B

REF	PART NO.	QTY	DESCRIPTION	NOTES
1	850936	1	Steering wheel	
2		1	* STEERING WHEEL HUB	
3	828943	1	* Steering wheel pad	OBSOLETE PART
4	850938	1	* Emblem	OBSOLETE PART
5	853182	1	Mounting kit	90° WHITE
	1140023	1	Mounting kit	90° BLACK
	853183	1	Mounting kit	70° WHITE
	1140024	1	Mounting kit	70° BLACK
6		1	* WASHER	
7		1	* NUT	
8		2	* SCREW	
9		1	* COVER	
10		1	* BRAKE SCREW	
11		1	* BRAKE	
12		4	* SCREW	
13		4	* WASHER	
14		4	* NUT	
15		1	* KEY	
16		1	* STEERING HEAD	
17	853181	1	Steering gear	
18		1	* NUT	
19	828886	1	Steering cable	L = 2000 MM
	828887	1	Steering cable	L = 2250mm
	828888	1	Steering cable	L = 2500 MM
	828889	1	Steering cable	L = 2750mm
	853185	1	Steering cable	L = 3000 MM
	853186	1	Steering cable	L = 3250mm
	853187	1	Steering cable	L = 3500mm
	853188	1	Steering cable	L = 3750 MM
	853189	1	Steering cable	L = 4000 MM
	853190	1	Steering cable	L = 4250 MM
	853191	1	Steering cable	L = 4500 MM
	853192	1	Steering cable	L = 4750mm
	853193	1	Steering cable	L = 5000 MM
	828863	1	Steering cable	L = 5250mm
	853194	1	Steering cable	L = 5500 MM
	828864	1	Steering cable	L = 5750mm
	853195	1	Steering cable	L = 6000 MM
	828865	1	Steering cable	L = 6250mm
	853196	1	Steering cable	L = 6500mm
	828866	1	Steering cable	L = 6750 MM
	853197	1	Steering cable	L = 7000 MM
	853286	1	Steering cable	L = 7500 MM
	853287	1	Steering cable	L = 8000 MM
	853288	1	Steering cable	L = 8500 MM
	853289	1	Steering cable	L = 9000 MM
	828867	1	Steering cable	OBSOLETE PART, L = 9750mm
	828868	1	Steering cable	OBSOLETE PART, L = 10500 MM
	828869	1	Steering cable	OBSOLETE PART, L = 11250mm
	828874	1	Steering cable	OBSOLETE PART, L = 12000 MM
20	853291	1	Ds unit	OBSOLETE PART
21	853387	1	* Steering cable	
22	853290	1	Stern attachment	
	850771	1	* Anchorage	
	850778	2	* Nut	
23	853306	2	* Nut	
24	851093	1	* Bracket	
25	828857	1	* Anchorage	
26	828854	1	* Anchorage	
27	951739	1	* Lubricating nipple	
28	940101	2	* Hexagon screw	
29	941906	2	* Spring washer	
30	963105	2	* Lock nut	
31	828924	1	* Ball joint kit	
32		1	* * SCREW	
33	851116	1	* * Bracket	OBSOLETE PART
34	955897	1	* * Washer	
35	967707	1	* * Split pin	
36	963119	1	* * Lock nut	
37	851118	1	* * Shoulder screw	OBSOLETE PART
38	966171	1	* * Lock nut	
39	853214	X	Adaptor	FOR FOREIGN STEERING CABLES.

MD31A, TMD31A, TMD31B, TAMD31A, TAMD31B, AQAD31A, AD31A, AD31B

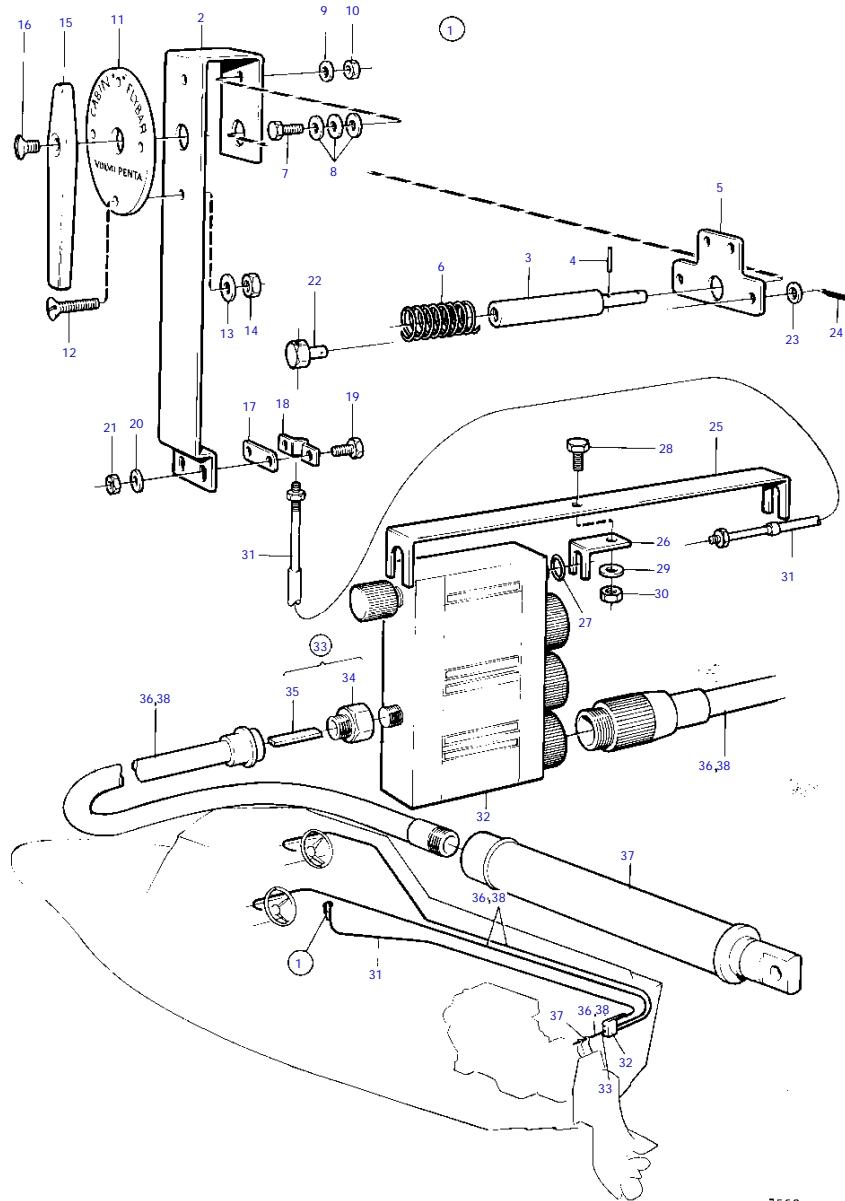


7666

MD31A, TMD31A, TMD31B, TAMD31A, TAMD31B, AQAD31A, AD31A, AD31B

REF	PART NO.	QTY	DESCRIPTION	SEE SEC.	NOTES
1	852031	1	Drive unit		12V, OBSOLETE PART
2	852032	1	* Electrical motor		REPL BY 852031, OBSOLETE PART
3		1	* GEAR		
4		1	* BRACKET		
5		2	* SCREW		
6		1	* DECAL		
7		X	STEERING CABLE	19295	
				19296	
8	851743	1	Transfer gear	19295	OBSOLETE PART
9	853107	1	Adapler kit		OBSOLETE PART
10		1	* ADAPTER	19296	
11	853109	1	* Shaft		OBSOLETE PART
12		1	STEERING CYLINDER	19299	
13	825765	X	Choke control		L = 3300 MM ALT
			Bulletin P-27-6-2	P-27-6-2-EN	End of Production - Stop Cables
13	825764	X	Choke control		L = 6900 MM ALT
			Bulletin P-27-6-2	P-27-6-2-EN	End of Production - Stop Cables
14	851744	1	Control		OBSOLETE PART

MD31A, TMD31A, TMD31B, TAM31A, TAM31B, AQAD31A, AD31A, AD31B



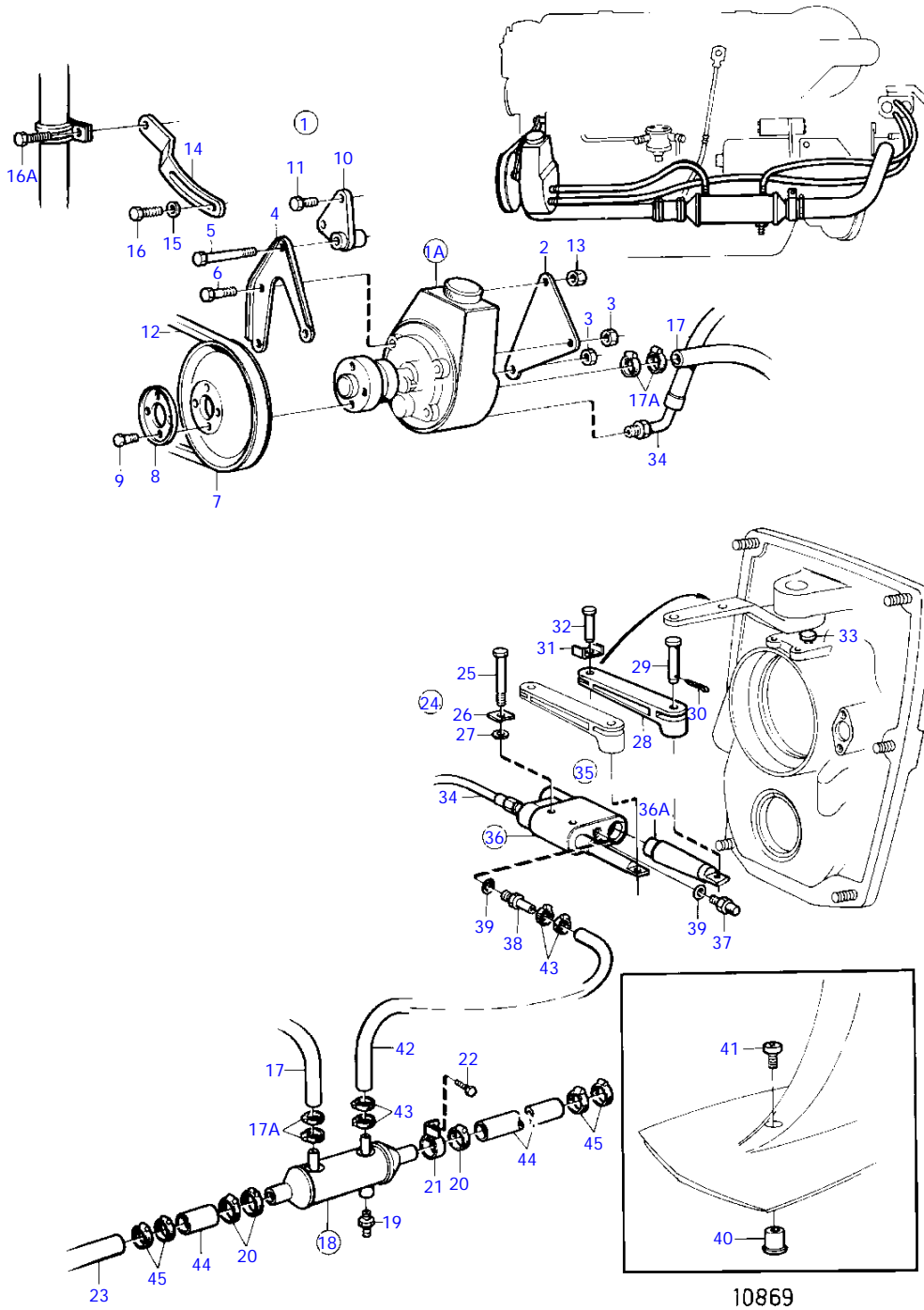
7669

MD31A, TMD31A, TMD31B, TAMD31A, TAMD31B, AQAD31A, AD31A, AD31B

REF	PART NO.	QTY	DESCRIPTION	SEE SEC.	NOTES
1	851744	1	Control		OBSOLETE PART
2	851902	1	* Bracket		OBSOLETE PART
3	851903	1	* Shaft		OBSOLETE PART
4	951947	2	* Spring pin		OBSOLETE PART
5	851904	1	* Lever		OBSOLETE PART
6	851901	1	* Compression spring		OBSOLETE PART
7	851940	1	* Hex. socket screw		OBSOLETE PART
8	960137	3	* Washer		
9	955945	1	* Toothed washer		
10	955779	1	* Hexagon nut		
11	851905	1	* Ring		OBSOLETE PART
12	851941	4	* Screw		L = 20 MM ALT, OBSOLETE PART
	851942	4	* Screw		L = 30 MM ALT, OBSOLETE PART
	851943	4	* Screw		L = 40 MM ALT, OBSOLETE PART
13	955946	4	* Toothed washer		OBSOLETE PART
14	955780	4	* Hexagon nut		
15	851906	1	* Handle		OBSOLETE PART
16	851997	1	* Screw		OBSOLETE PART
17	819068	1	* Washer		
18	21471054	1	* Bracket		
19	955243	2	* Hexagon screw		OBSOLETE PART
20	955946	2	* Toothed washer		OBSOLETE PART
21	955780	2	* Hexagon nut		
22	804312	1	* Cube		
23	940191	1	* Washer		
24	907834	1	* Split pin		(17276)
25	851907	1	* Bracket		OBSOLETE PART
26	851908	1	* Bracket		OBSOLETE PART
27	850418	1	* O-ring		
28	955243	1	* Hexagon screw		OBSOLETE PART
29	955946	1	* Toothed washer		OBSOLETE PART
30	955780	1	* Hexagon nut		
31		X	CONTROL CABLE		SEE GROUP 9
32	851743	1	* Transfer gear		OBSOLETE PART
33	853107	1	Adapter kit		OBSOLETE PART
34		X	* ADAPTER		
35	853109	1	* Shaft		OBSOLETE PART
36		X	STEERING CABLE	19295	
				19296	
37		X	STEERING CYLINDER	19295	
				19296	
38		X	STEERING CABLE	19295	
				19296	



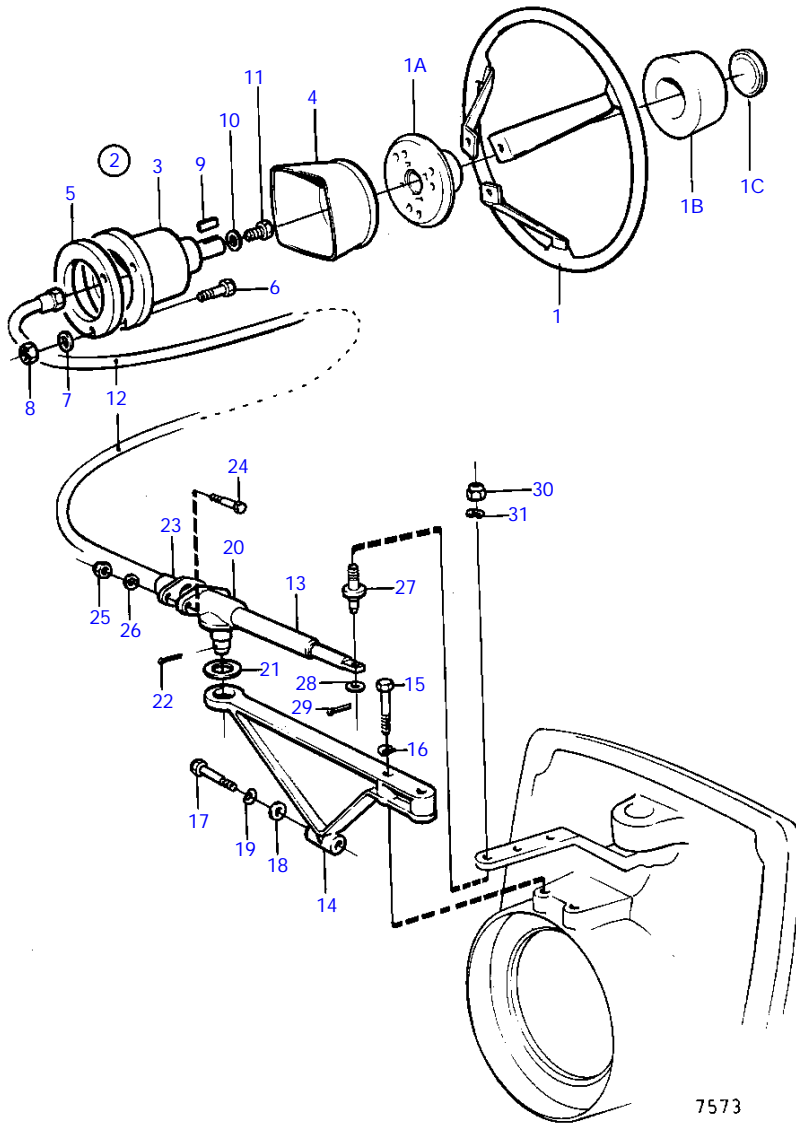
AQAD31A, AD31A, AD31B



AQAD31A, AD31A, AD31B

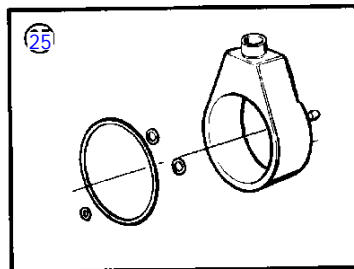
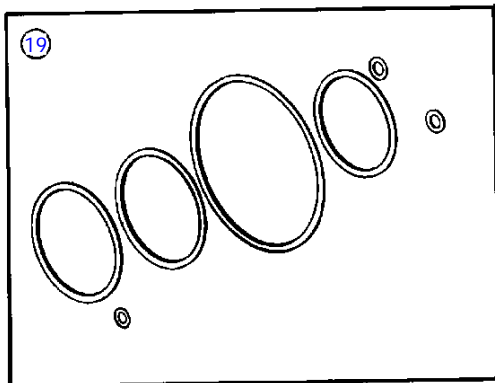
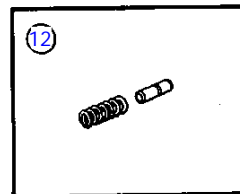
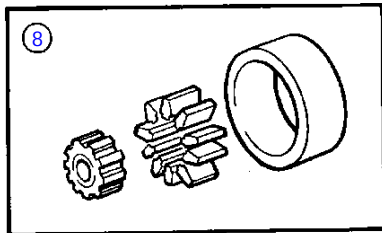
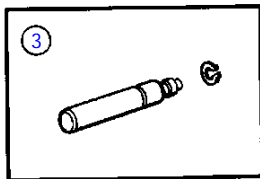
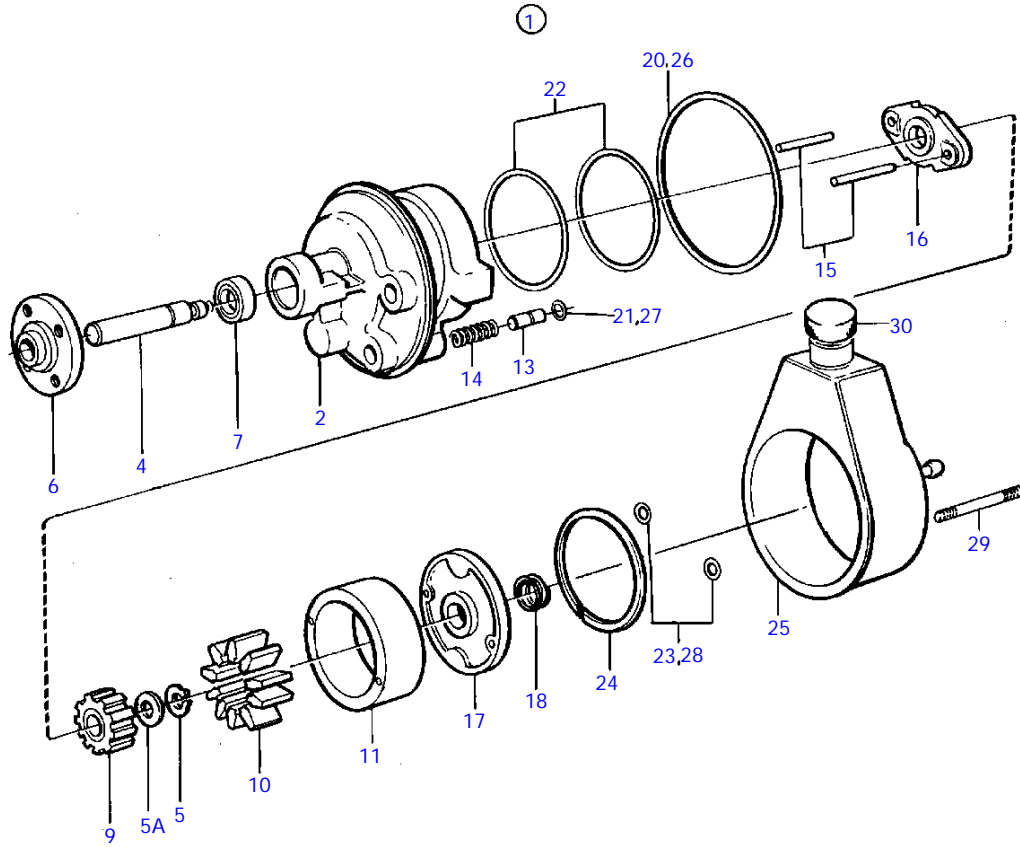
REF	PART NO.	QTY	DESCRIPTION	SEE SEC.	NOTES
1	858702	1	Power steering pump		
			Bulletin 54-01	54-01-EN	New Servo Pump Kit
1A	838310	1	* Power steering pump		OBSOLETE PART
1			* *	19302	
2	838892	1	* Bracket		
3	971095	1	* Flange nut		(945409)
	971083	1	* Lock nut		
4	838893	1	* Bracket		
5	955557	1	* Hexagon screw		
6	946329	2	* Flange screw		L = 25 MM
	946441	1	* Flange screw		L = 20 MM
7	1219961	1	* V-belt pulley		
8	464541	1	* Washer		
9	944926	4	* Flange screw		
10	838312	1	* Bracket		
11	947760	2	* Flange screw		
12	967123	1	* V-belt		(960470)
13	950355	1	* Lock nut		
14	838073	1	* Tensioner		
15	960141	1	* Washer		
16	946173	1	* Flange screw		
16A	965217	1	* Flange screw		
17	838311	1	* Return hose		L = 1800 MM
17A	961664	4	* Hose clamp		
18	858541	1	* Oil cooler		
19	949918	1	* * Shut-off cock		
20	961670	3	* Hose clamp		
21	858545	1	* Bracket		
22	946173	1	* Flange screw		
23		1	COOLING WATER PIPE		SEE GROUP 2B
24	858722	1	Power steering kit		OBSOLETE PART
25	968247	2	* Hexagon screw		
26	853254	2	* Striker plate		
27	941908	2	* Spring washer		
28	852787	1	* Link rod		OBSOLETE PART
29	852789	1	* Split pin		
30	907856	1	* Split pin		
31	853160	1	* Lock washer		
32	913158	1	* Clevis pin		
33	184700	1	* Roller		
34	853454	1	* Hose		
35		1	*		
36	852741	1	* * Steering cylinder		OBSOLETE PART
	853307	1	* * * Repair kit		OBSOLETE PART
36A	853983	1	* * * Piston rod guide		OBSOLETE PART
37	957031	1	* * Nipple		
38	946152	1	* * Nipple		
39	958226	2	* * O-ring		
40	853531	1	* * Plug		FOR DRIVE UNIT DP290A.
	853589	1	* * Plug		FOR DRIVE UNIT 290A.
41	959437	1	* * Hex. socket screw		
42	838311	X	Return hose		
43	961664	X	Hose clamp		
44		X	HOSE		
45	961670	X	Hose clamp		

AQAD31A, AD31A



AQAD31A, AD31A

REF	PART NO.	QTY	DESCRIPTION	NOTES
1	850936	1	Steering wheel	
1A		1	* STEERING WHEEL HUB	
1B	828943	1	* Steering wheel pad	OBSOLETE PART
1C	850938	1	* Emblem	OBSOLETE PART
2	851056	1	Steering gear	OBSOLETE PART
3		1	* STEERING GEAR	
4	851057	1	* Cover	OBSOLETE PART
5	851069	1	* Washer	OBSOLETE PART
6	940101	3	* Hexagon screw	
7	941906	3	* Spring washer	
8	955781	3	* Hexagon nut	
9	851349	1	* Key	OBSOLETE PART
10	948823	1	* Washer	OBSOLETE PART
11	970944	1	* Hexagon screw	(940148)
12	852035	X	Steering cable	L = 800 MM, OBSOLETE PART
	851016	X	Steering cable, STEERING CABLE	L = 2500 MM, OBSOLETE PART REPL BY 851017
	851017	X	Steering cable	L = 2750mm, OBSOLETE PART
	851018	X	Steering cable	L = 3000 MM, OBSOLETE PART
	851019	X	Steering cable, STEERING CABLE	L = 3250mm, OBSOLETE PART REPL BY 851020
	851020	X	Steering cable	L = 3500mm, OBSOLETE PART
	851021	X	Steering cable	L = 3750 MM, OBSOLETE PART
	851022	X	Steering cable	L = 4000 MM, OBSOLETE PART
	851023	X	Steering cable	L = 4250 MM, OBSOLETE PART
	851024	X	Steering cable	L = 4500 MM, OBSOLETE PART
	851025	X	Steering cable	L = 4750mm, OBSOLETE PART
	851026	X	Steering cable	L = 5000 MM, OBSOLETE PART
	851027	X	Steering cable	L = 5250mm, OBSOLETE PART
	851028	X	Steering cable	L = 5500 MM, OBSOLETE PART
	851029	X	Steering cable	L = 5750mm, OBSOLETE PART
	851030	X	Steering cable	L = 6000 MM, OBSOLETE PART
	851031	X	Steering cable	L = 6500mm, OBSOLETE PART
	851032	X	Steering cable	L = 7000 MM, OBSOLETE PART
	851033	X	Steering cable	L = 7500 MM, OBSOLETE PART
	851034	X	Steering cable	L = 8000 MM, OBSOLETE PART
	851921	X	Steering cable	L = 8500 MM, OBSOLETE PART
	851922	X	Steering cable	L = 9000 MM, OBSOLETE PART
	851923	X	Steering cable	L = 9500 MM, OBSOLETE PART
13	851147	1	Steering cylinder	FOR STARBOARD MOUNTING., OBSOLETE PART
	851059	1	Steering cylinder	FOR PORT MOUNTING., OBSOLETE PART
14	853079	1	Steering kit	(853074), OBSOLETE PART
15	970954	2	Hexagon screw	(955324)
16	941908	2	Spring washer	
17	955300	1	Hexagon screw	EARLY TYPE
	940142	1	Hexagon screw	LATE TYPE
18	960141	1	Washer	
19	941907	1	Spring washer	EARLY TYPE
20	853075	1	Anchorage	OBSOLETE PART
21	955904	1	Washer	
22	907872	1	Split pin	OBSOLETE PART
23	853076	1	Cardboard tube	OBSOLETE PART
24	940101	2	Hexagon screw	
25	963105	2	Lock nut	
26	949607	2	Spring washer	
27	853077	1	Stud	
28	940097	1	Washer	
29	964960	1	Split pin	
30	963108	1	Lock nut	
31	940280	1	Spring washer	(949608)

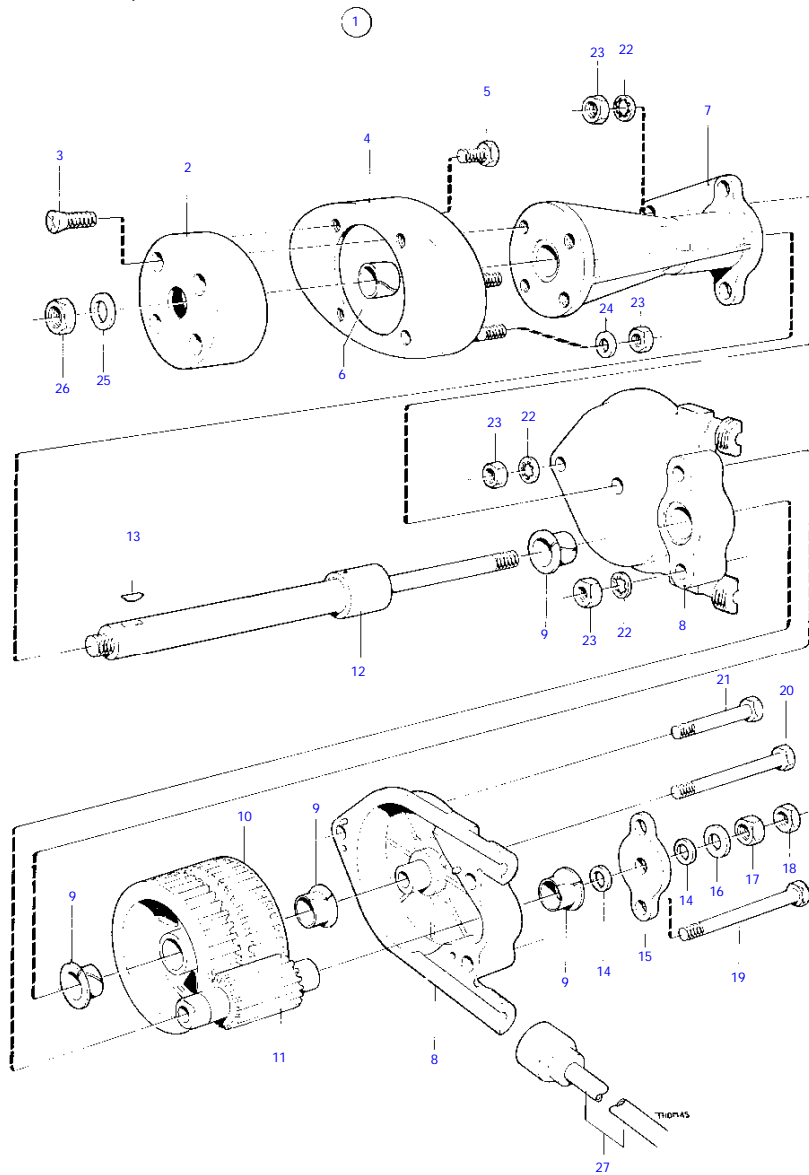


7222

--

REF	PART NO.	QTY	DESCRIPTION	NOTES
1	838310	1	Power steering pump	OBSOLETE PART
2		1	* HOUSING	
3		1	* DRIVE SHAFT KIT	
4		1	* DRIVE SHAFT	
5	273881	1	* Sealing ring kit	
5A	1272634	X	* Adjusting washer	TH = 0,05 MM, OBSOLETE PART
5	1272635	X	* Adjusting washer	TH = 0.1mm, OBSOLETE PART
	1272636	X	* Adjusting washer	TH = 0.2mm, OBSOLETE PART
	1272637	X	* Adjusting washer	TH = 0.3mm, OBSOLETE PART
6		1	* HUB	
7	1272412	2	* Seal	
8		1	* ROTOR KIT	
9		1	* ROTOR	
10		1	* VANE	
11		1	* RING	
12	273905	1	* Valve kit	OBSOLETE PART
13		1	* VALVE	
14		1	* SPRING	
15	1272427	1	* Pin	OBSOLETE PART
16	1329586	1	* Plate	OBSOLETE PART
17		1	* PLATE	
18	1329589	1	* Lock ring	OBSOLETE PART
19	855735	1	Sealing kit	
20		1	* O-RING	
21		1	* O-RING	
22		2	* O-RING	
23		2	* O-RING	
24	1272431	1	* Lock ring	OBSOLETE PART
25	855544	1	Oil reservoir kit	
26		1	* O-RING	
27		1	* O-RING	
28		1	* O-RING	
29	855574	2	Stud	
30	1330839	1	Cover	

MD31A, TMD31A, TMD31B, TAM31A, TAM31B, AQAD31A, AD31A, AD31B

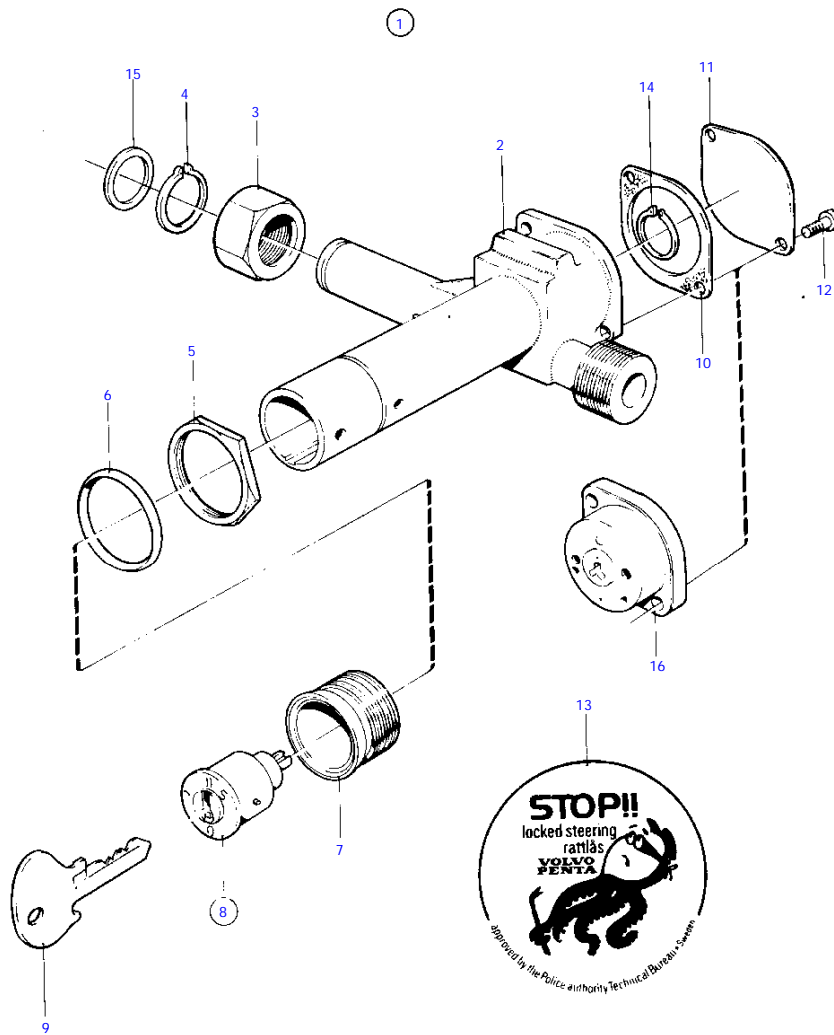


3690

MD31A, TMD31A, TMD31B, TAMD31A, TAMD31B, AQAD31A, AD31A, AD31B

REF	PART NO.	QTY	DESCRIPTION	NOTES
1	850809	1	Steering head	
2		1	* MOUNTING PLATE	
3	941462	4	* Screw	OBSOLETE PART
4		1	* BRACKET	
5	955655	4	* Hexagon screw	
6	839724	1	* Bushing	OBSOLETE PART
7		1	* BRACKET	
8		2	* HOUSING	
9	828155	4	* Bushing	OBSOLETE PART
10		1	* GEAR	
11		1	* GEAR	
12		1	* SHAFT	
13	835059	1	* Key	
14	839725	2	* Slide washer	OBSOLETE PART
15		1	* THRUST PLATE	
16	940097	1	* Washer	
17	955848	1	* Hexagon nut	OBSOLETE PART
18	955858	1	* Nut	OBSOLETE PART
19	955670	2	* Screw	OBSOLETE PART
20	955668	1	* Hexagon screw	OBSOLETE PART
21	955665	1	* Screw	OBSOLETE PART
22	955949	4	* Toothed washer	OBSOLETE PART
23	955847	8	* Hexagon nut	
24	955894	4	* Washer	
25	960145	1	* Washer	
26	940154	1	* Hexagon nut	
27	839727	1	* Plastic pipe	OBSOLETE PART

MD31A, TMD31A, TMD31B, TAM31A, TAM31B, AQAD31A, AD31A, AD31B

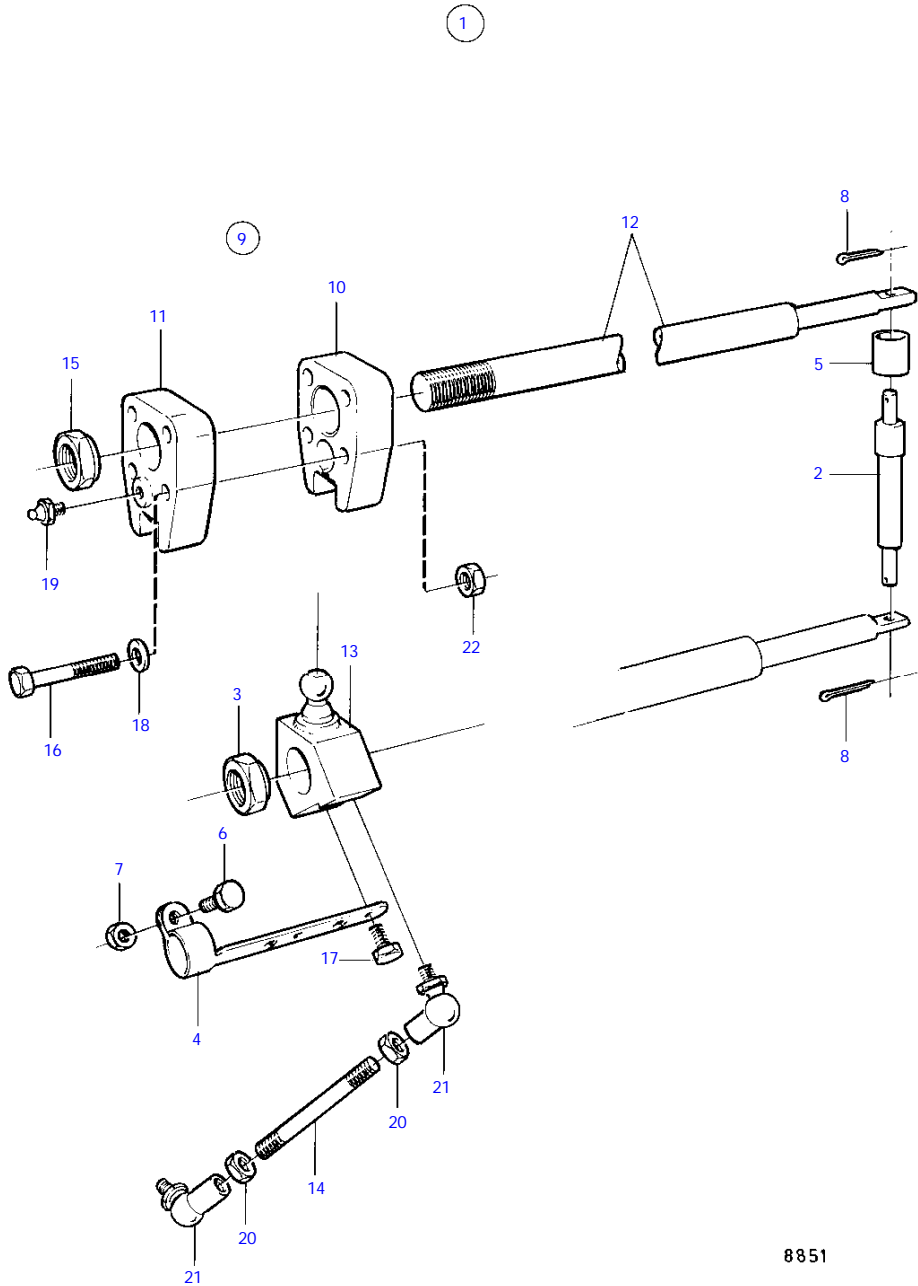


4153

MD31A, TMD31A, TMD31B, TAMD31A, TAMD31B, AQAD31A, AD31A, AD31B

REF	PART NO.	QTY	DESCRIPTION	SEE SEC.	NOTES
1	839544	1	Steering lock		OBSOLETE PART
2		1	* HOUSING		
3	839531	1	* Nut		OBSOLETE PART
4	914450	1	* Snap ring		
5	832476	1	* Lock nut		OBSOLETE PART
6	839523	1	* Lock ring		OBSOLETE PART
7	839512	1	* Lock sleeve		OBSOLETE PART
8	839532	1	* Lock cylinder		OBSOLETE PART
9	831606	1	* * Key		INDIQUER CODE DE CLEF QUAND VOUS ORDEZ, OBSOLETE PART
			Bulletin P-36-4-1	P-36-4-1-EN	Deleted Part No's for Keys
10	1140051	1	* Gasket		(839543), OBSOLETE PART
11	839542	1	* Protecting cover		OBSOLETE PART
12	956060	2	* Cross recessed screw		
13		1	* DECAL		
14	914448	1	* Snap ring		OBSOLETE PART
15	850221	2	* Washer		OBSOLETE PART
16	839492	1	Plate		OBSOLETE PART

AQAD31A, AD31A, AD31B

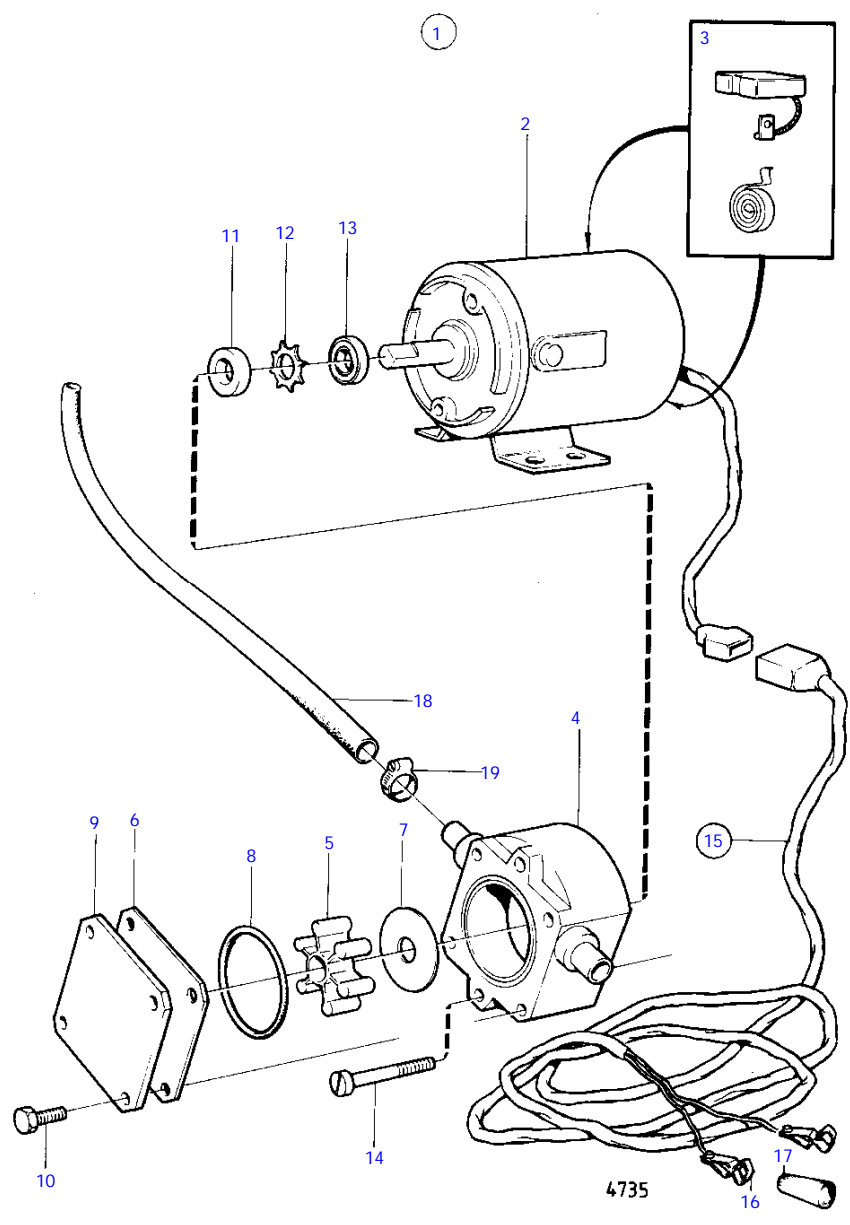


8851

AQAD31A, AD31A, AD31B

REF	PART NO.	QTY	DESCRIPTION	NOTES
1	828963	1	Ds kit	OBSOLETE PART
2		1	• BOLT	
3		1	• NUT	
4		1	• LOCK UNIT	
5	807183	1	• Spacer sleeve	
6	955272	1	• Hexagon screw	
7	963105	1	• Lock nut	
8	967707	2	• Split pin	
9		1	• DS UNIT	
10		1	• • ATTACHMENT	
11		1	• • ATTACHMENT	
12		1	• • ATTACHMENT PIPE	
13		1	• • BRACKET	
14		1	• • CONTROL ROD	
15	853306	1	• • Nut	
16	940101	2	• • Hexagon screw	
17	940199	1	• • Hexagon screw	
18	949607	2	• • Spring washer	
19	951739	1	• • Lubricating nipple	
20	955782	2	• • Hexagon nut	
21	959080	2	• • Angle ball joint	
22	963105	2	• • Lock nut	

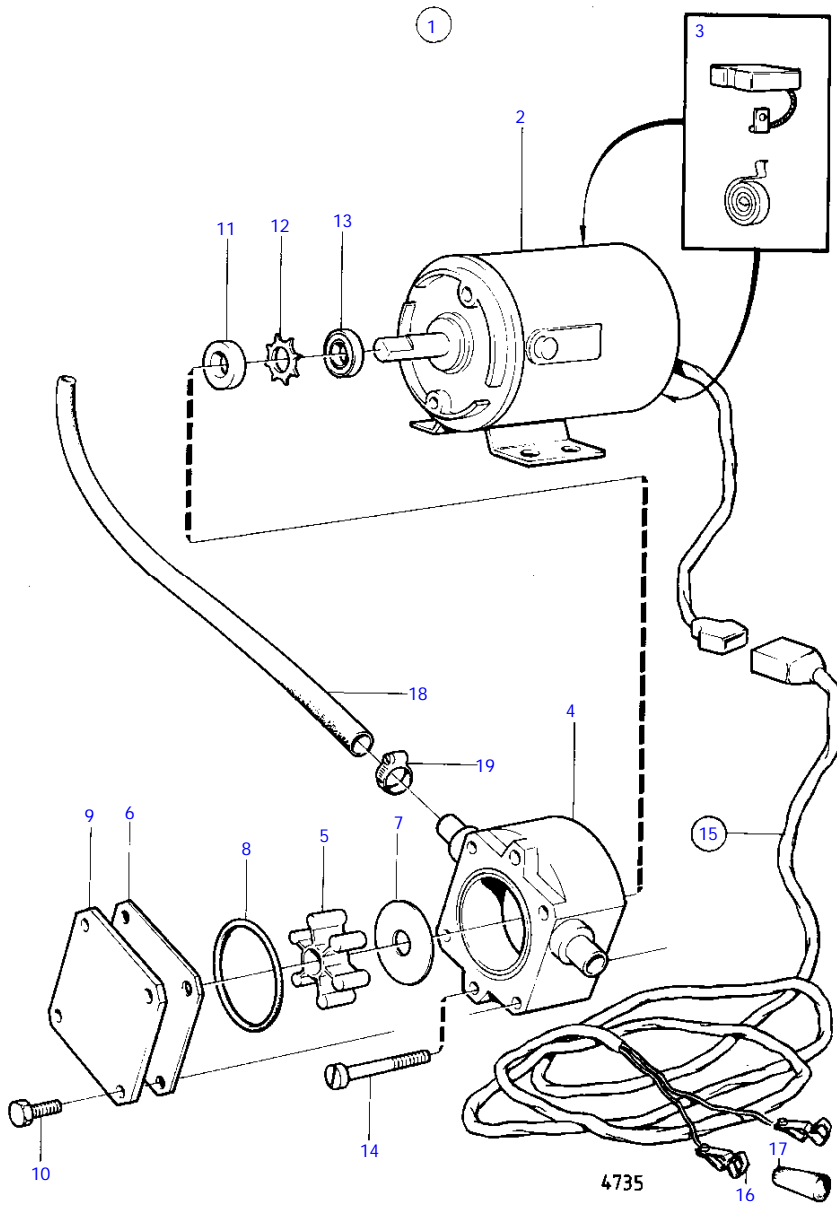
MD31A, TMD31A, TMD31B, TAMD31A, TAMD31B, AQAD31A, AD31A, AD31B



MD31A, TMD31A, TMD31B, TAMD31A, TAMD31B, AQAD31A, AD31A, AD31B

REF	PART NO.	QTY	DESCRIPTION	NOTES
1	843114	1	Oil bilge pump	12V
2		1	* PUMP	
3	844014	2	* * Carbon brush set	OBSOLETE PART
4	844015	1	* * Pump housing	OBSOLETE PART
5		1	* * IMPELLER	
6	844017	1	* * Wear washer	
7	844016	1	* * Wear washer	
8		1	* * O-RING	
9	844018	1	* * Cardboard tube	
10	844021	4	* * Screw	
11		1	* * SEAL RING	
12		1	* * LOCK WASHER	
13	844019	1	* * Oil deflector ring	
14	844020	2	* * Screw	
15	843113	1	* Cable trunk	
16		1	* * BATTERY TERMINAL	REPLAC%E1 PAR 1EA 844280 1EA 844278, + (843111)
		1	* * BATTERY TERMINAL	REPLACED BY 1EA 844280, 1EA 844279., (843112)
	844280	2	* * Clip	LATE TYPE
17	844279	1	* * Isolation	LATE TYPE BLACK, OBSOLETE PART
	844278	1	* * Isolation	LATE TYPE RED, OBSOLETE PART
18	943707	X	* Hose	L = 3000 MM
19	943471	3	* Hose clamp	
	844022	1	Impeller kit	

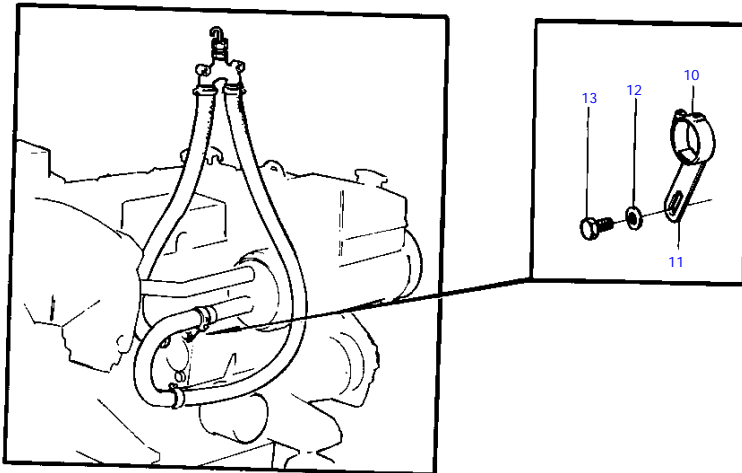
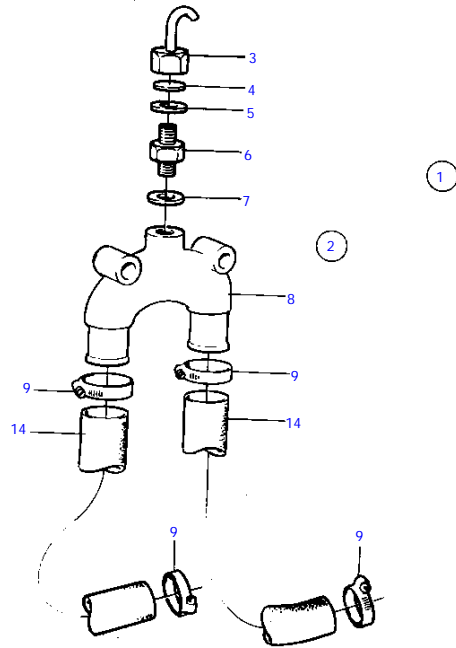
MD31A, TMD31A, TMD31B, TAMD31A, TAMD31B, AQAD31A, AD31A, AD31B



MD31A, TMD31A, TMD31B, TAMD31A, TAMD31B, AQAD31A, AD31A, AD31B

REF	PART NO.	QTY	DESCRIPTION	NOTES
1	843410	1	Oil bilge pump	24V
	842222	1	* Electrical motor	
3	844014	2	Carbon brush set	OBSOLETE PART
4	844015	1	Pump housing	OBSOLETE PART
5		1	IMPELLER	
6	844017	1	Wear washer	
7	844016	1	Wear washer	
8		1	O-RING	
9	844018	1	Cardboard tube	
10	844021	4	Screw	
11		1	SEAL RING	
12		1	LOCK WASHER	
13	844019	1	Oil deflector ring	
14	844020	2	Screw	
15	843113	1	* Cable trunk	
16		1	* * BATTERY TERMINAL	REPLAC%E1 PAR 1EA 844280 1EA 844278, + (843111)
		1	* * BATTERY TERMINAL	REPLACED BY 1EA 844280, 1EA 844279., (843112)
	844280	2	* * Clip	LATE TYPE
17	844279	1	* * Isolation	LATE TYPE BLACK, OBSOLETE PART
	844278	1	* * Isolation	LATE TYPE RED, OBSOLETE PART
18	943707	X	* Hose	L = 3000 MM
19	943471	3	* Hose clamp	
	844022	1	Impeller kit	

MD31A, TMD31A, TMD31B, TAMD31A, TAMD31B

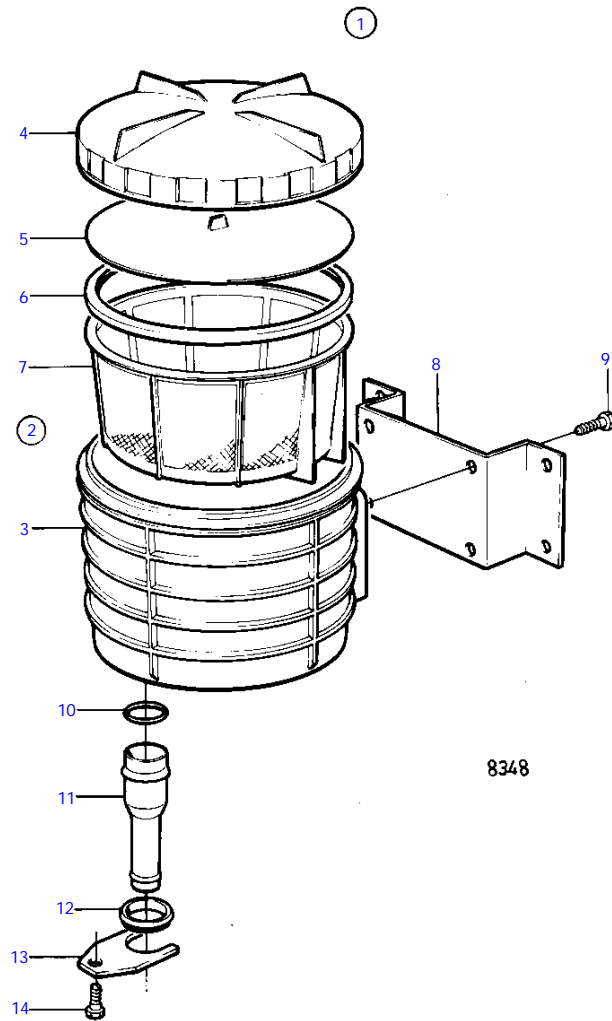


8431

MD31A, TMD31A, TMD31B, TAMD31A, TAMD31B

REF	PART NO.	QTY	DESCRIPTION
1	858588	1	Vacuum valve kit
2	828534	1	• Vacuum valve
3		1	• • UPPER UNIT
4		2	• • DIAPHRAGM
5	828424	2	• • Gasket
6		1	• • LOWER UNIT
7	947282	2	• • Gasket
8	828501	1	• Branch pipe
9	853548	4	• Hose clamp
10	943473	1	• Hose clamp
11	843747	1	• Anchorage
12	960141	1	• Washer
13	940142	1	• Hexagon screw
14		X	HOSE

MD31A, TMD31A, TMD31B, TAMD31A, TAMD31B, AQAD31A, AD31A, AD31B

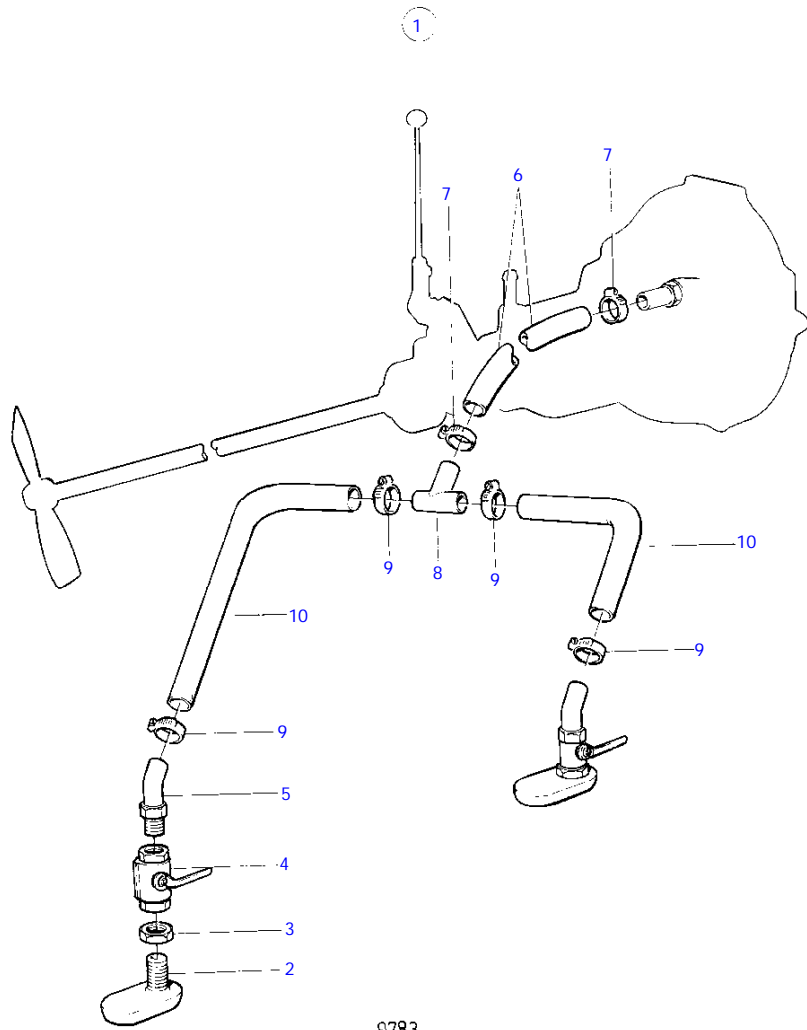


8348

MD31A, TMD31A, TMD31B, TAMD31A, TAMD31B, AQAD31A, AD31A, AD31B

REF	PART NO.	QTY	DESCRIPTION
1	858843	1	Seawater sieve kit
2	845337	1	* Sea water filter
3	845338	1	* * Strainer housing
4	845317	1	* * Cover
5	845328	1	* * Pressure plate
6	838977	1	* * Sealing
7	858081	1	* * Strainer
8	845960	1	* Bracket
9	940199	4	* Hexagon screw
10	845354	2	* Sealing ring
11	847106	1	* Hose connection
	838582	1	* Hose connection
12	847017	2	* Pipe retainer
13	847018	2	* Brace
14	940199	2	* Hexagon screw

MD31A, TMD31A, TMD31B, TAMD31A, TAMD31B

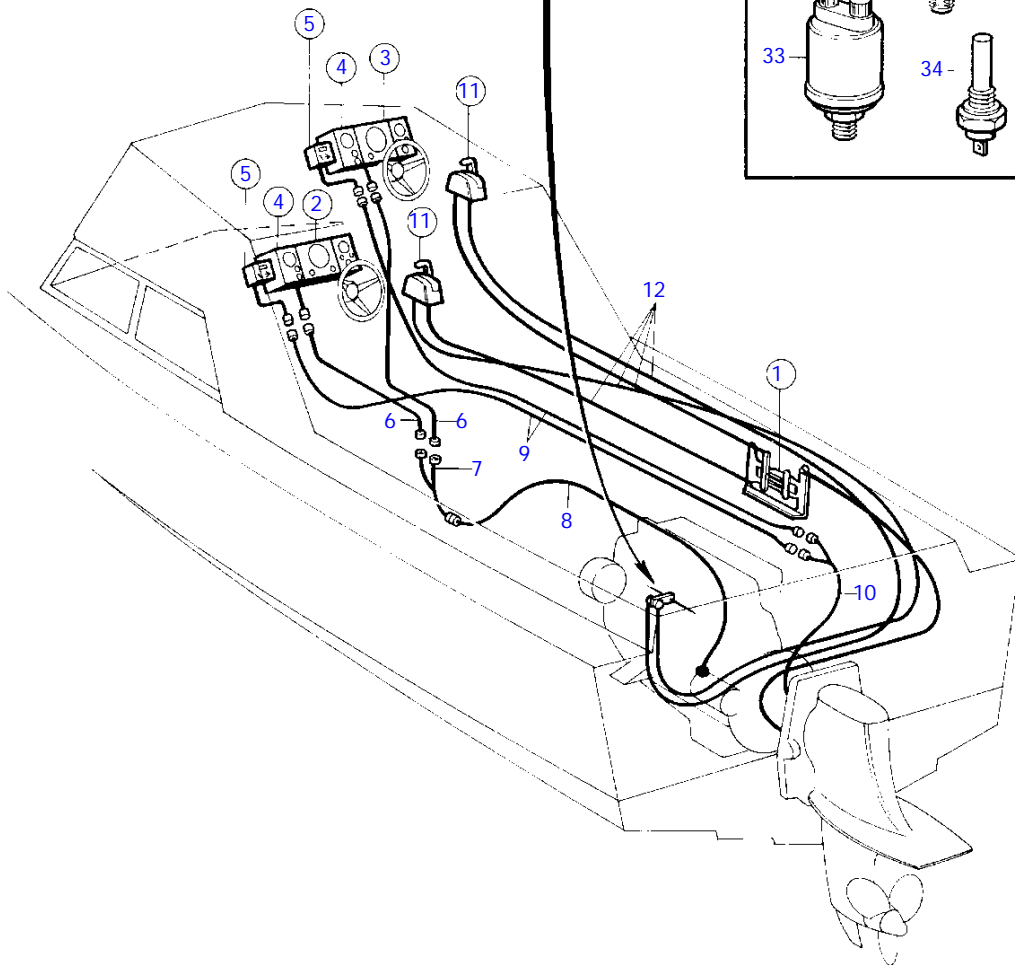
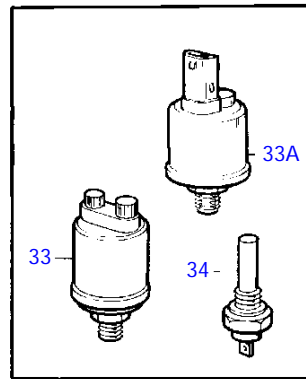
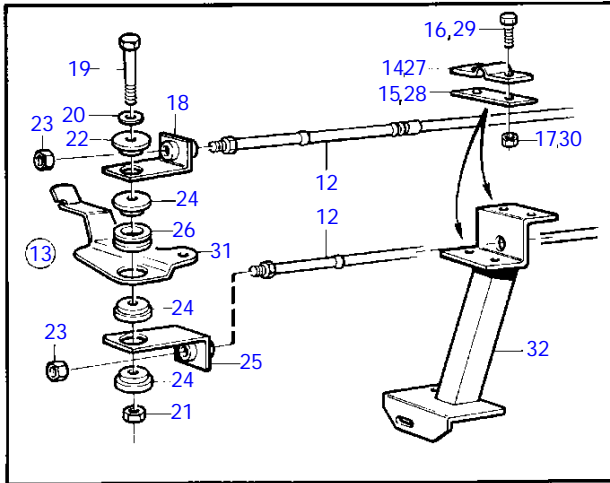


9783

MD31A, TMD31A, TMD31B, TAMD31A, TAMD31B

REF	PART NO.	QTY	DESCRIPTION	NOTES
1	841723	1	Cooling water inlet	
2	836876	1	* Strainer	
3	836879	1	* Nut	
4	1140125	1	* Ball valve	(828239)
5	828696	1	* Hose attachment	
6	828461	X	Hose	
7		X	HOSE CLAMP	
8	841771	1	T-pipe	OBSOLETE PART
9	961669	X	Hose clamp	
10	949315	X	Rubber hose	

MD31A, TMD31A, TMD31B, TAMD31A, TAMD31B, AQAD31A, AD31A, AD31B

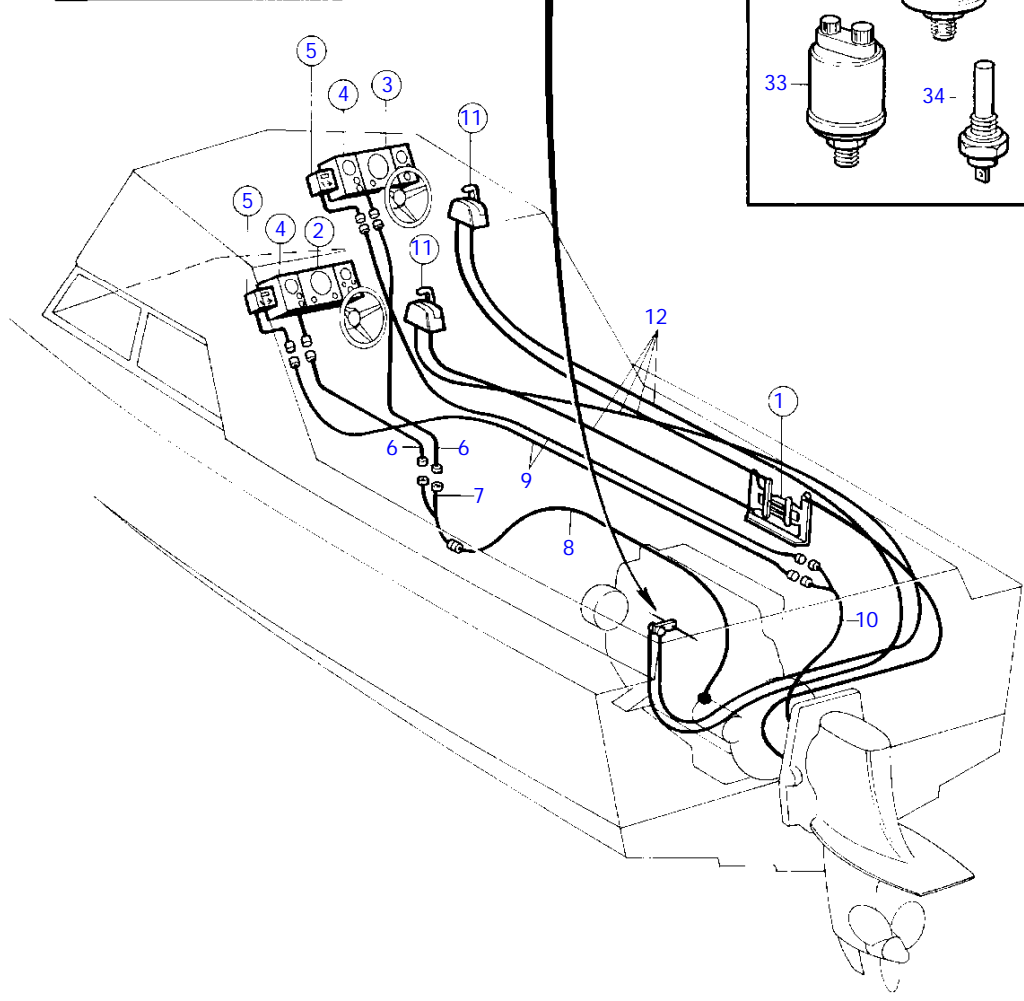
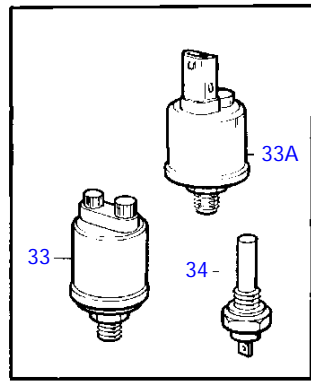
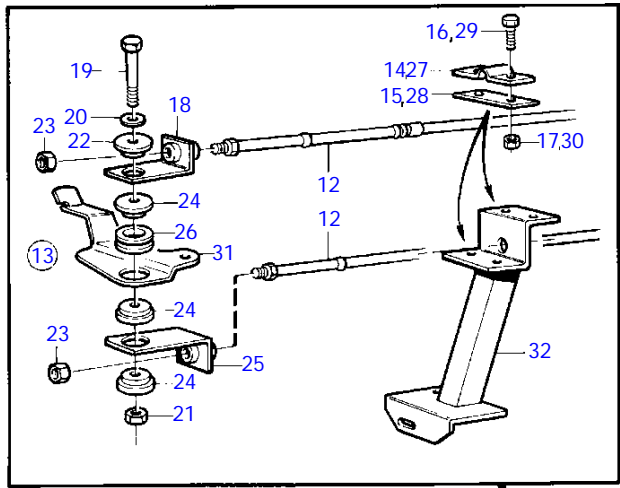


10881

MD31A, TMD31A, TMD31B, TAMD31A, TAMD31B, AQAD31A, AD31A, AD31B

REF	PART NO.	QTY	DESCRIPTION	SEE SEC.	NOTES
1	828164	1	Connection plate		
			*	19354	
2		1	INSTRUMENT PANEL		SEE GROUP 3
3	838810	1	Instrument panel		GOLD COLOURED DECOR STRIPE., REPL BY 858868
			*	19324	
	858868	1	Instrument panel		WHITE COLOURED DECOR STRIPE., REPL BY 864043
			*	19324	
	864043	1	Instrument panel		WHITE COLOURED DECOR STRIPE.
			*	19324	
4	846786	X	Instrument panel		GOLD COLOURED DECOR STRIPE., REPL BY 858874
			*	19322	
			*	19322	
5	828731	2	Trimmer	19327	
6	846648	X	Extension cable'verl		L = 3000 MM
	846649	X	Extension cable'verl		L = 5000 MM
	846650	X	Extension cable'verl		L = 7000 MM
7	1140317	1	Y-koppling		
8		1	CABLE UNIT		SEE GROUP 3
9	853052	X	Extension cable'verl		L = 3000 MM
10		1	CABLE UNIT	19327	
11	853168	X	Mounting kit	19385	
	851602	X	Mounting kit	19383	
12		X	CONTROL CABLE	19395	
13	858770	1	Mounting kit		
14	21471054	1	* Bracket		
15	819068	1	* Washer		
16	956078	2	* Cross recessed screw		
17	951674	2	* Lock nut		
18	843107	1	* Anchorage		
19	955275	1	* Hexagon screw		
20	955892	1	* Washer		
21	946035	1	* Lock nut		
22	843105	1	* Spacer washer		
23	951674	2	Lock nut		
24	843105	3	Spacer washer		
25	843107	1	Anchorage		
26	843109	1	Bushing		
27	21471054	1	Bracket		
28	819068	1	Washer		
29	956078	2	Cross recessed screw		
30	951674	2	Lock nut		
31		1	BRACKET		SEE GROUP 2D
32		1	BRACKET		SEE GROUP 2D
33	843232	1	Oil pressure sensor		EARLY TYPE
33A	862568	1	Oil pressure sensor		LATE TYPE
34	840074	1	Temperature sensor		
	862567	1	Temperature sensor		FOR ENGINES WITH 1,5 POLE ELECTRICAL SYSTEM

MD31A, TMD31A, TMD31B, TAMD31A, TAMD31B, AQAD31A, AD31A, AD31B

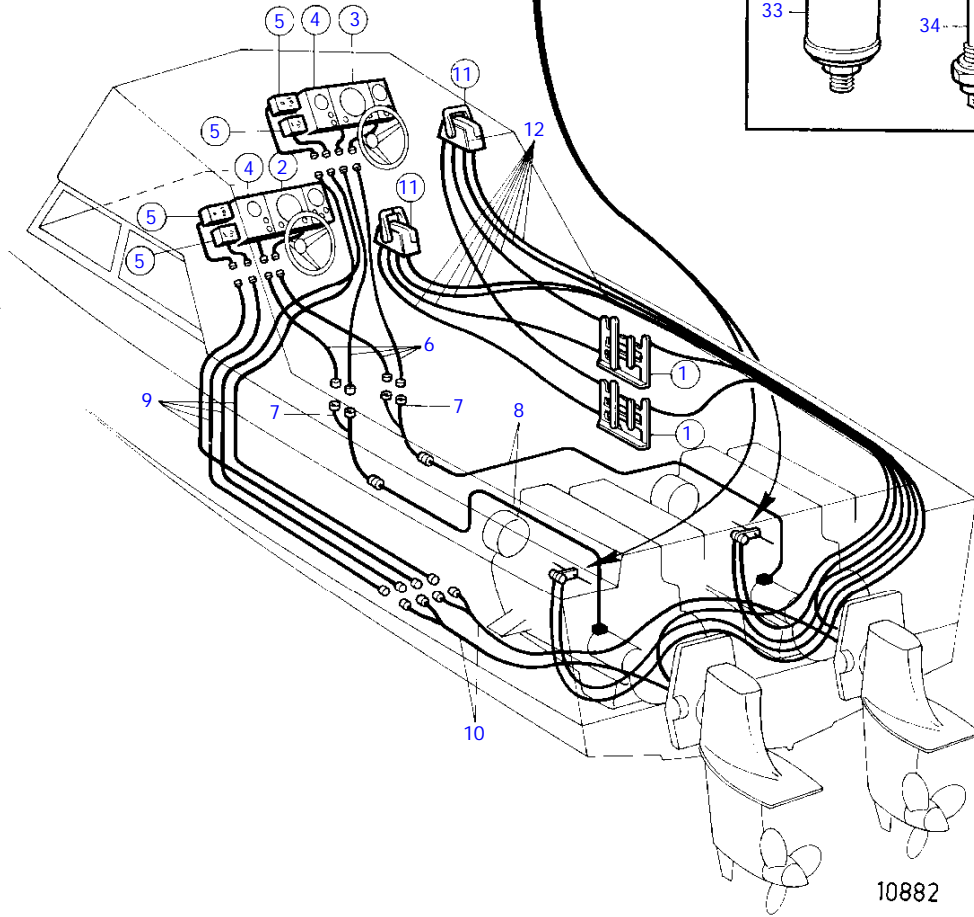
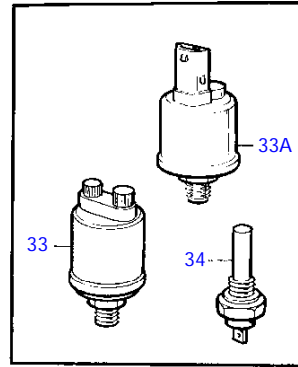
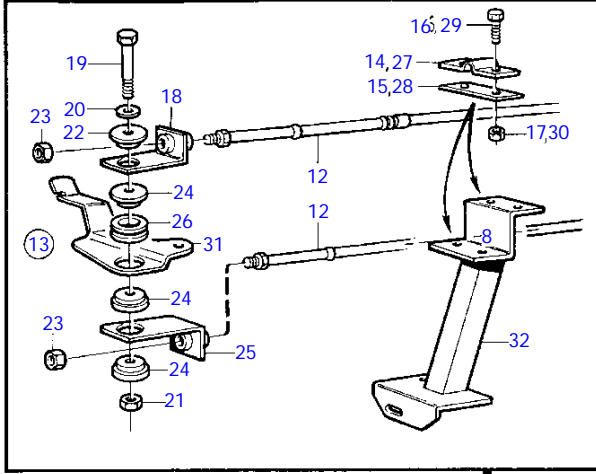


10881

MD31A, TMD31A, TMD31B, TAMD31A, TAMD31B, AQAD31A, AD31A, AD31B

REF	PART NO.	QTY	DESCRIPTION	SEE SEC.	NOTES
1	828164	1	Connection plate		
2		1	INSTRUMENT PANEL		SEE GROUP 3
3		1	INSTRUMENT PANEL		SEE GROUP 3
4	846786	X	Instrument panel		GOLD COLOURED DECOR STRIPE., REPL BY 858874
	858874	1	Instrument panel		WHITE COLOURED DECOR STRIPE., OBSOLETE PART
6	846648	X	Extension cable'verl		L = 3000 MM
	846649	X	Extension cable'verl		L = 5000 MM
	846650	X	Extension cable'verl		L = 7000 MM
7	1140317	1	Y-koppling		
8		1	CABLE UNIT		SEE GROUP 3
11	853168	X	Mounting kit	19385	
	851602	X	Mounting kit	19383	
12		X	CONTROL CABLE	19395	
13	858770	1	Mounting kit		
14	21471054	1	* Bracket		
15	819068	1	* Washer		
16	956078	2	* Cross recessed screw		
17	951674	2	* Lock nut		
18	843107	1	* Anchorage		
19	955275	1	* Hexagon screw		
20	955892	1	* Washer		
21	946035	1	* Lock nut		
22	843105	1	* Spacer washer		
23	951674	2	Lock nut		
24	843105	3	Spacer washer		
25	843107	1	Anchorage		
26	843109	1	Bushing		
27	21471054	1	Bracket		
28	819068	1	Washer		
29	956078	2	Cross recessed screw		
30	951674	2	Lock nut		
31		1	BRACKET		SEE GROUP 2D
32		1	BRACKET		SEE GROUP 2D
33	843232	1	Oil pressure sensor		EARLY TYPE
33A	862568	1	Oil pressure sensor		LATE TYPE
34	862567	1	Temperature sensor		FOR ENGINES WITH 1,5 POLE ELECTRICAL SYSTEM

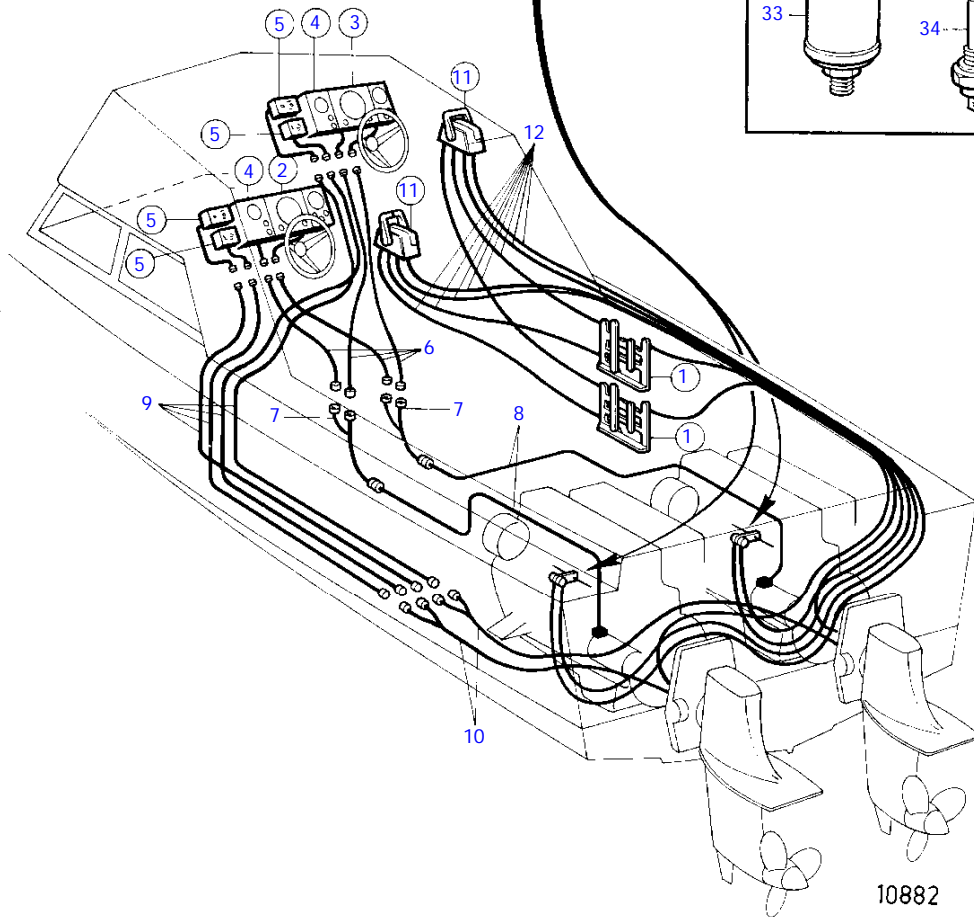
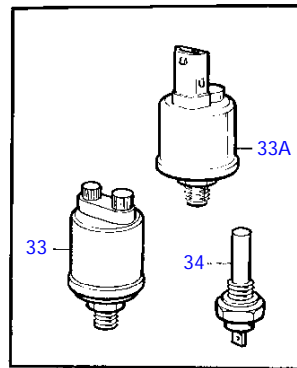
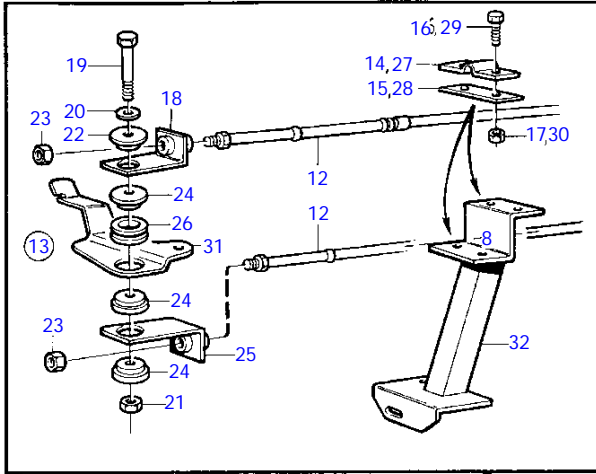
MD31A, TMD31A, TMD31B, TAMD31A, TAMD31B, AQAD31A, AD31A, AD31B



MD31A, TMD31A, TMD31B, TAMD31A, TAMD31B, AQAD31A, AD31A, AD31B

REF	PART NO.	QTY	DESCRIPTION	SEE SEC.	NOTES
1	828164	2	Connection plate		
			*	19354	
2		2	INSTRUMENT PANEL		SEE GROUP 3
3	838810	2	Instrument panel		GOLD COLOURED DECOR STRIPE., REPL BY 858868
			*	19324	
	858868	2	Instrument panel		WHITE COLOURED DECOR STRIPE., REPL BY 864043
			*	19324	
	864043	2	Instrument panel		
			*	19324	
			*		SEE GROUP 3
			* COMPONENTS		SEE GROUP 3
4	846786	X	Instrument panel		GOLD COLOURED DECOR STRIPE., REPL BY 858874
			*	19322	
	858874	X	Instrument panel		WHITE COLOURED DECOR STRIPE., OBSOLETE PART
			*	19322	
5	828731	4	Trimmer	19327	
6	846648	X	Extension cable'verl		L = 3000 MM
	846649	X	Extension cable'verl		L = 5000 MM
	846650	X	Extension cable'verl		L = 7000 MM
7	1140317	2	Y-koppling		
8		2	CABLE UNIT		SEE GROUP 3
9	853052	X	Extension cable'verl		L = 3000 MM
10		2	CABLE UNIT	19327	
11	853169	X	Mounting kit	19386	
	851603	X	Mounting kit	19383	
12		X	CONTROL CABLE	19395	
13	858770	2	Mounting kit		
14	21471054	2	* Bracket		
15	819068	2	* Washer		
16	956078	4	* Cross recessed screw		
17	951674	4	* Lock nut		
18	843107	2	* Anchorage		
19	955275	2	* Hexagon screw		
20	955892	2	* Washer		
21	946035	2	* Lock nut		
22	843105	2	* Spacer washer		
23	951674	4	Lock nut		
24	843105	6	Spacer washer		
25	843107	2	Anchorage		
26	843109	2	Bushing		
27	21471054	2	Bracket		
28	819068	2	Washer		
29	956078	4	Cross recessed screw		
30	951674	4	Lock nut		
31		2	BRACKET		SEE GROUP 2D
32		2	BRACKET		SEE GROUP 2D
33	843232	2	Oil pressure sensor		EARLY TYPE
33A	862568	2	Oil pressure sensor		LATE TYPE
34	840074	2	Temperature sensor		
	862567	2	Temperature sensor		FOR ENGINES WITH 1,5 POLE ELECTRICAL SYSTEM

MD31A, TMD31A, TMD31B, TAM31A, TAM31B, AQAD31A, AD31A, AD31B

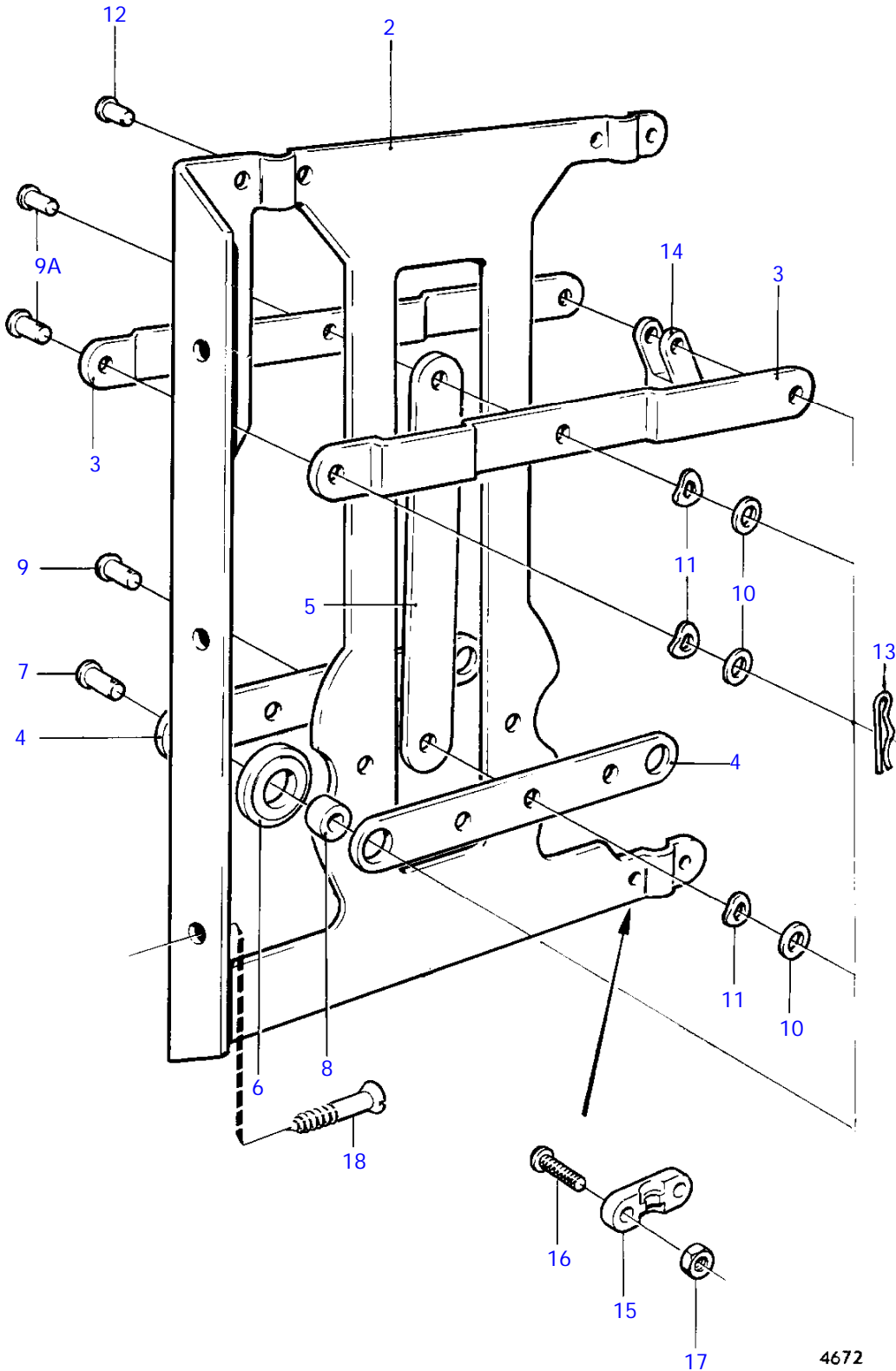


MD31A, TMD31A, TMD31B, TAMD31A, TAMD31B, AQAD31A, AD31A, AD31B

REF	PART NO.	QTY	DESCRIPTION	SEE SEC.	NOTES
1	828164	2	Connection plate		
2		2	INSTRUMENT PANEL		SEE GROUP 3
3	858086	2	Instrument panel, INSTRUMENT PANEL COMPONENTS		REPL BY 858866, OBSOLETE PART
	858866	2	Instrument panel		OBSOLETE PART
4	846786	X	Instrument panel		GOLD COLOURED DECOR STRIPE., REPL BY 858874
	858874	X	Instrument panel		WHITE COLOURED DECOR STRIPE., OBSOLETE PART
6	846648	X	Extension cable'verl		L = 3000 MM
	846649	X	Extension cable'verl		L = 5000 MM
	846650	X	Extension cable'verl		L = 7000 MM
7	1140317	2	Y-koppling		
8		2	CABLE UNIT		SEE GROUP 3
11	853169	X	Mounting kit	19386	
	851603	X	Mounting kit	19383	
12		X	CONTROL CABLE	19395	
13	858770	2	Mounting kit		
14	21471054	2	* Bracket		
15	819068	2	* Washer		
16	956078	4	* Cross recessed screw		
17	951674	4	* Lock nut		
18	843107	2	* Anchorage		
19	955275	2	* Hexagon screw		
20	955892	2	* Washer		
21	946035	2	* Lock nut		
22	843105	2	* Spacer washer		
23	951674	4	Lock nut		
24	843105	6	Spacer washer		
25	843107	2	Anchorage		
26	843109	2	Bushing		
27	21471054	2	Bracket		
28	819068	2	Washer		
29	956078	4	Cross recessed screw		
30	951674	4	Lock nut		
31		2	BRACKET		SEE GROUP 2D
32		2	BRACKET		SEE GROUP 2D
33	843232	2	Oil pressure sensor		EARLY TYPE
33A	862568	2	Oil pressure sensor		LATE TYPE
34	862567	2	Temperature sensor		FOR ENGINES WITH 1,5 POLE ELECTRICAL SYSTEM

MD31A, TMD31A, TMD31B, TAMD31A, TAMD31B, AQAD31A, AD31A, AD31B

1

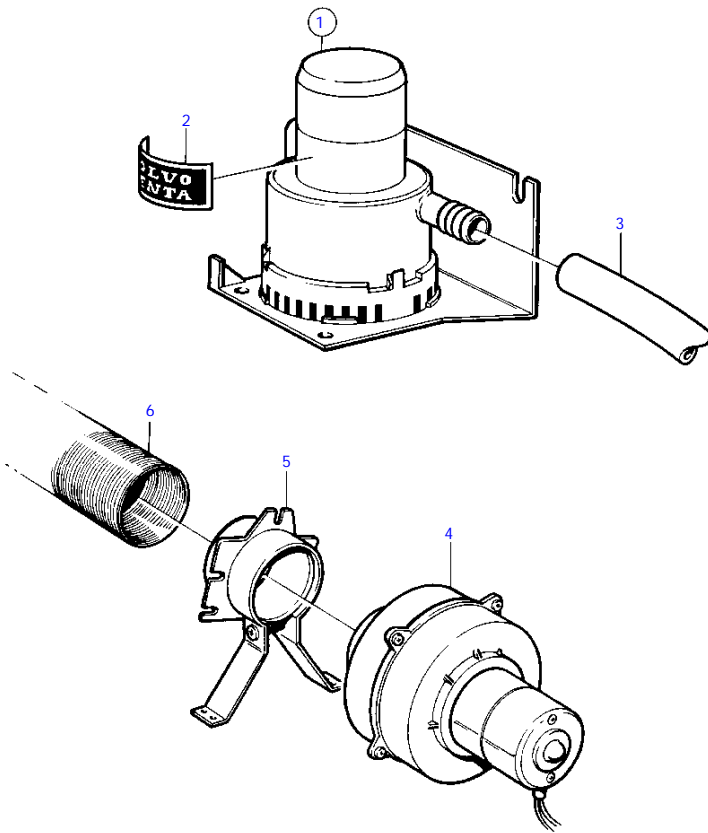


4672

MD31A, TMD31A, TMD31B, TAMD31A, TAMD31B, AQAD31A, AD31A, AD31B

REF	PART NO.	QTY	DESCRIPTION	NOTES
1	828164	1	Connection plate	
2		1	* HOUSING	
3		2	* Lever	
4		2	* Lever	
5		1	* Lever	
6	828180	2	* Roller	
7	828183	2	* Split pin	
8	828178	2	* Bushing	
9	850358	1	* Clevis pin	L = 9 MM, OBSOLETE PART
9A	828177	2	* Clevis pin	L = 12 MM, OBSOLETE PART
10	940191	3	* Washer	
11	61544	3	* Spring washer	OBSOLETE PART
12	828182	1	* Clevis pin	
13	664822	6	* Split pin	(907824)
14	850452	3	* Fork	
15	850361	3	* Cable attachment	
16	956078	6	* Cross recessed screw	
17	955780	6	* Hexagon nut	
18	905448	3	* Screw	EARLY TYPE (905447), OBSOLETE PART

MD31A, TMD31A, TMD31B, TAMD31A, TAMD31B, AQAD31A, AD31A, AD31B

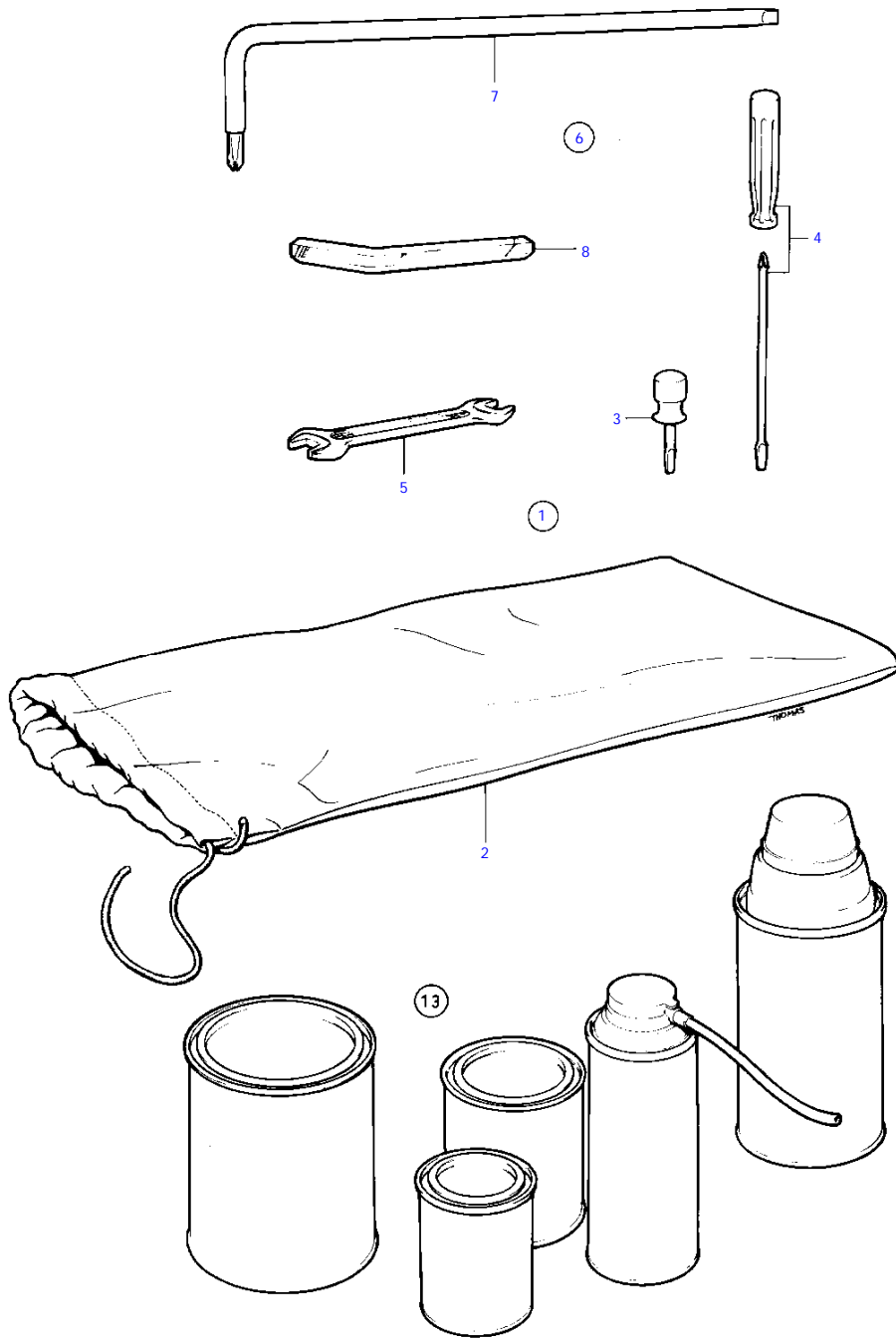


9650

MD31A, TMD31A, TMD31B, TAMD31A, TAMD31B, AQAD31A, AD31A, AD31B

REF	PART NO.	QTY	DESCRIPTION	NOTES
1	828763	1	Bilge pump	
2	843141	1	Decal	OBSOLETE PART
3	952969	X	Hose	
4	828797	1	Fan	OBSOLETE PART
5	828798	1	Mounting kit	
6	828807	1	Ventilation hose	L = 5000 MM

MD31A, TMD31A, TMD31B, TAMD31A, TAMD31B, AQAD31A, AD31A, AD31B

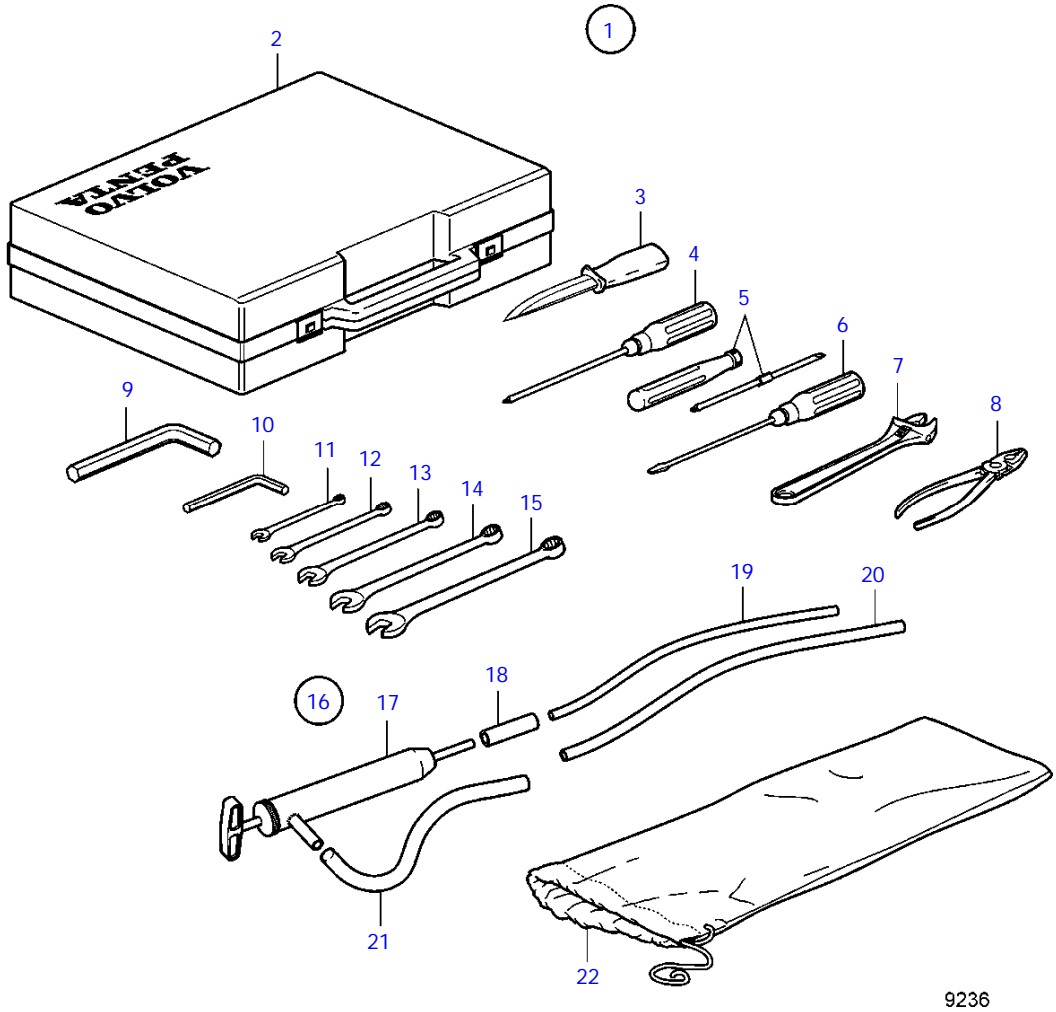


10113

MD31A, TMD31A, TMD31B, TAMD31A, TAMD31B, AQAD31A, AD31A, AD31B

REF	PART NO.	QTY	DESCRIPTION	NOTES
1	844636	1	Tool kit	OBSOLETE PART
2	844642	1	* Tool bag	
3	841044	1	* Screwdriver	OBSOLETE PART
4	963929	1	* Combination screwdri	OBSOLETE PART
5	843929	1	* Open-end wrench	8-10MM, OBSOLETE PART
	210056	1	* Open-end wrench	11-12MM, OBSOLETE PART
	841252	1	* Open-end wrench	OBSOLETE PART, 13-16MM
	962053	1	* Open-end wrench	OBSOLETE PART, 13-17MM
	962060	1	* Open-end wrench	OBSOLETE PART, 14-17MM
	962054	1	* Open-end wrench	OBSOLETE PART, 19-22MM
6	841045	1	Tool kit	
7	834980	1	* Screwdriver	OBSOLETE PART
8	914675	1	* Allen wrench	1/4"
	914677	1	* Allen wrench	3/8"

MD31A, TMD31A, TMD31B, TAM31A, TAM31B, AQAD31A, AD31A, AD31B

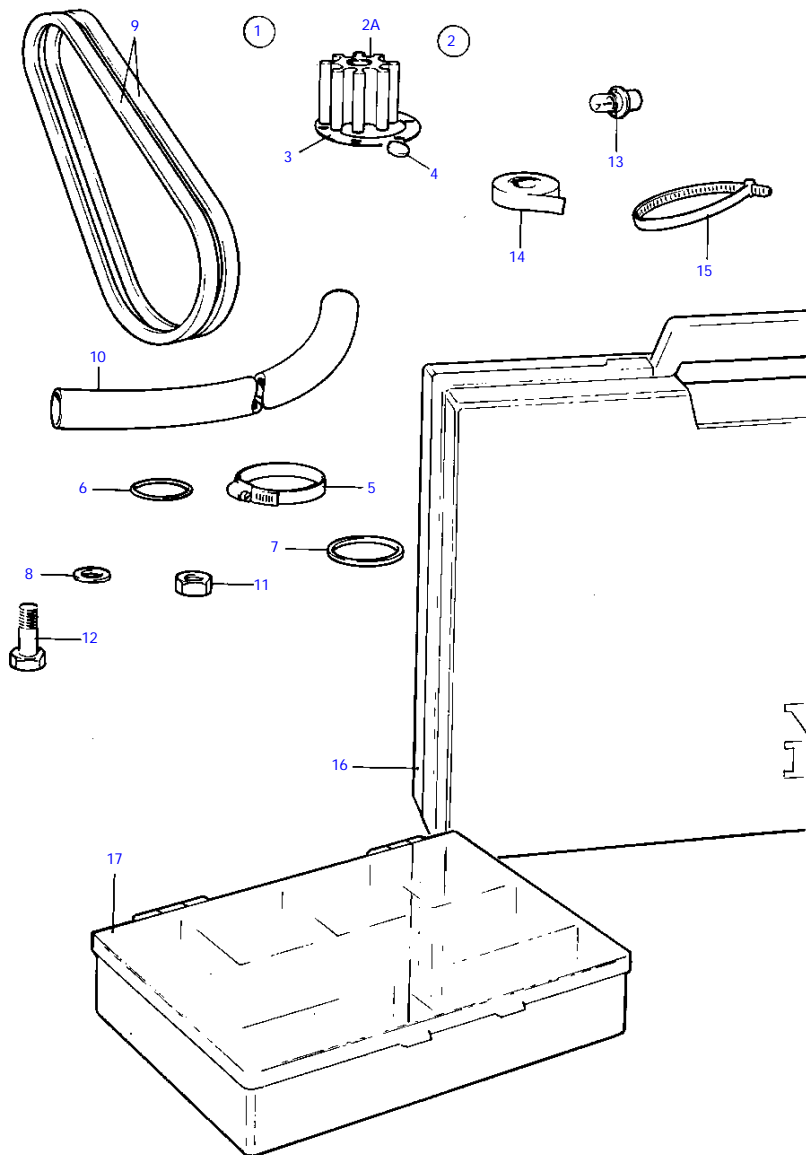


9236

MD31A, TMD31A, TMD31B, TAMD31A, TAMD31B, AQAD31A, AD31A, AD31B

REF	PART NO.	QTY	DESCRIPTION	NOTES
1	858282	1	Tool kit	
2	859370	1	* Tool bag	(858281)
3	858280	1	* Sheath knife	OBSOLETE PART
4	962183	1	* Phillips screwdriver	OBSOLETE PART
5	963929	1	* Combination screwdri	OBSOLETE PART
6	804771	1	* Screwdriver	
7	755	1	* Adjustable wrench	
	3801095	1	* Short block, exch, exch	
8	858279	1	* Combination pliers	OBSOLETE PART
9	914005	1	* Allen wrench	OBSOLETE PART
10	914002	1	* Allen wrench	
11	858274	1	* Tool	8MM, OBSOLETE PART
12	858275	1	* Blocking key	10MM, OBSOLETE PART
13	858276	1	* Blocking key	13MM, OBSOLETE PART
14	858277	1	* Blocking key	17MM, OBSOLETE PART
15	858278	1	* Blocking key	1/2", OBSOLETE PART
16	875117	1	* Oil bilge pump	
17		1	* OIL BILGE PUMP	
18	841046	1	* Rubber hose	OBSOLETE PART
19	835964	1	* Tube	L=1000mm
20	841527	1	* Plastic pipe	L = 711 MM
21	806282	1	* Plastic hose	
22	844642	1	* Tool bag	

MD31A, TMD31A, TMD31B, TAMD31A, TAMD31B, AQAD31A, AD31A, AD31B



8421

MD31A, TMD31A, TMD31B, TAMD31A, TAMD31B, AQAD31A, AD31A, AD31B

REF	PART NO.	QTY	DESCRIPTION	NOTES
1	858632	1	Onboard kit	
2	875593	1	* Impeller kit	
2A		1	* * Impeller	REPL BY 875593
3	808275	1	* * Gasket	
4	827019	2	* * Washer	
5	943474	4	* Hose clamp	
	943476	2	* Hose clamp	
6	949658	3	* O-ring	
7	858986	6	* Sealing ring	
	842913	2	* Sealing ring	
8	957171	20	* Gasket	
	11994	10	* Gasket	
9	966978	1	* V-belt	(958359)
10	944386	X	* Rubber hose	
11	955782	2	* Hexagon nut	FOR FUEL INJECTOR.
12	841693	6	* Screw	
13	19923	4	* Bulb	
14	858283	1	* Tape	
15	948210	10	* Cable tie	
16	858631	1	* Bag	
17	858284	1	* Box	



MD31A, TMD31A, TMD31B, TAMD31A, TAMD31B, AQAD31A, AD31A, AD31B

1



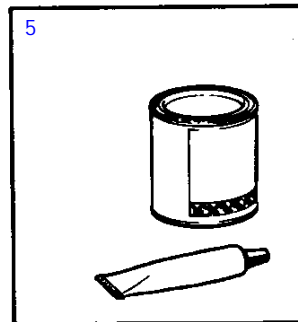
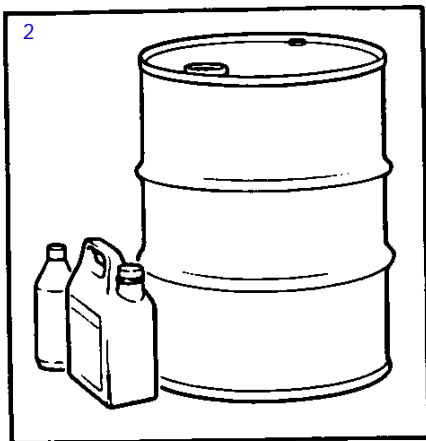
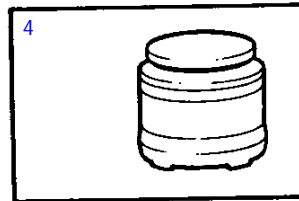
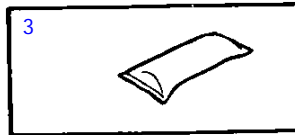
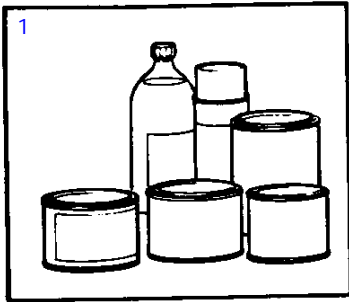
9749

MD31A, TMD31A, TMD31B, TAMD31A, TAMD31B, AQAD31A, AD31A, AD31B

REF	PART NO.	QTY	DESCRIPTION	NOTES
1	876234	1	Decal set	THE KIT INCLUDES ALL DECALS THAT ARE USED ON THE ENGINE.



MD31A, TMD31A, TMD31B, TAMD31A, TAMD31B, AQAD31A, AD31A, AD31B



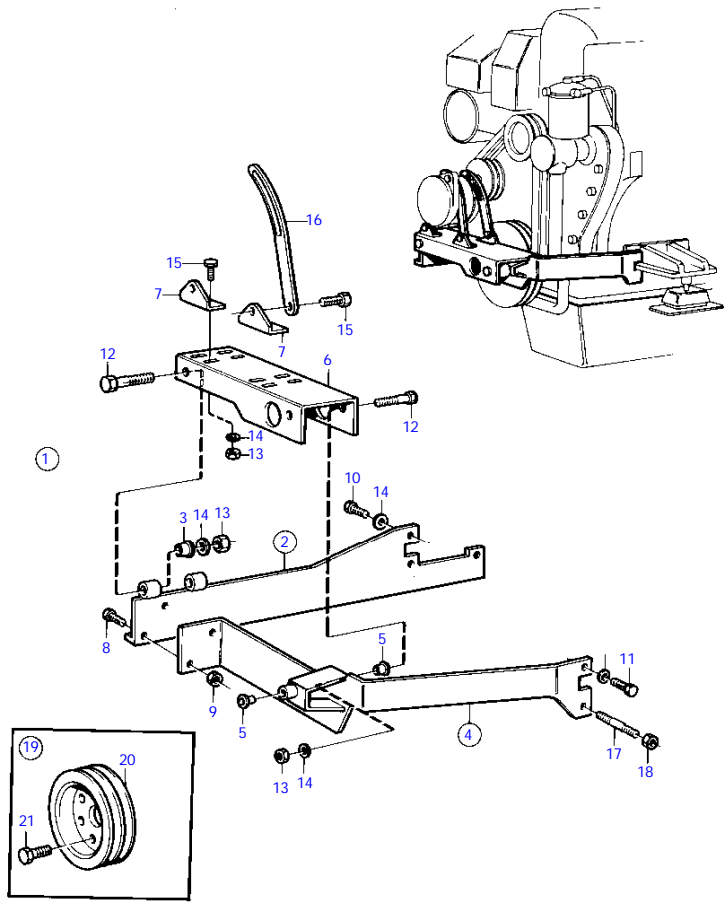
8188

MD31A, TMD31A, TMD31B, TAMD31A, TAMD31B, AQAD31A, AD31A, AD31B

REF	PART NO.	QTY	DESCRIPTION	SEE SEC.	NOTES	
1	1141562	X	Primer, DRIVE UNIT			
	1141561	X	Primer, DRIVE UNIT		TWO-COMPONENT COATING, blue-gray 0.5L, OBSOLETE PART	
	827501	X	Touch-up paint, ENGINE		red, 0.4L spray	
	1141564	X	Touch-up paint, ENGINE		RED 1L	
	1141566	X	Touch-up paint, ENGINE		green, 0.4L spray	
	837124	X	Paint, ENGINE		GREEN 1L	
	1141560	X	Touch-up paint, DRIVE UNIT		white, 0.4L spray	
	1141567	X	Touch-up paint, DRIVE UNIT		blue-gray 0.4L spray	
	832578	X	Paint, DRIVE UNIT		TWO-COMPONENT COATING, blue-gray 0.5L	
	832594	X	Paint, DRIVE UNIT		TWO-COMPONENT COATING, blue-gray 0.9L	
	1141575	X	Touch-up paint, DRIVE UNIT		gray 0.4L spray	
	1141578	X	Paint, DRIVE UNIT		TWO-COMPONENT COATING, gray 0.4L, OBSOLETE PART	
	1141577	X	Paint, DRIVE UNIT		TWO-COMPONENT COATING, gray 0.9L	
	1141568	X	Touch-up paint, DRIVE UNIT		black, 0.4L spray	
	827502	X	Clear enamel, ENGINE		0.4L spray	
	1141565	X	Clear enamel, ENGINE		1L, OBSOLETE PART	
	2	1141591	X	Coolant		1L
		1141590	X	Coolant		4L
		1141589	X	Coolant		200L
		1141585	X	Oil		FOR GASOLINE ENGINES, SAE20W-50SG 1L
		1141586	X	Oil		FOR GASOLINE ENGINES, SAE20W-50SG 4L
1141587		X	Oil		FOR GASOLINE ENGINES, SAE20W-50SG 20L	
1141588		X	Oil		FOR GASOLINE ENGINES, SAE20W-50SG 208L	
1141519		X	Oil		FOR DIESEL ENGINES., SAE15W-40CD 1L	
1141531		X	Oil		FOR DIESEL ENGINES., SAE15W-40CD 4L	
1141553		X	Oil		FOR DIESEL ENGINES., SAE15W-40CD 20L	
1141522		X	Oil		FOR DIESEL ENGINES., SAE15W-40CD 208L	
1141545		X	Oil		FOR DIESEL ENGINES., SAE15-40VDS 1L	
1141549		X	Oil		FOR DIESEL ENGINES., SAE15-40VDS 4L	
1141550		X	Oil		FOR DIESEL ENGINES., SAE15-40VDS 20L	
1141546		X	Oil		FOR DIESEL ENGINES., SAE15-40VDS 208L	
1141527		X	Transmission oil		FOR DRIVE UNITS AND REVERSE GEARS, SAE 90EP 1L	
1141572		X	Transmission oil		FOR DRIVE UNITS AND REVERSE GEARS, SAE 75W-90EP 1L	
3551924		X	Oil		TWO-STROKE OIL., 1L, OBSOLETE PART	
1141510		X	Conservation oil		1L	
1381053		X	Universal oil		0,16L SPRAY	
1161036		X	All-round spray		0,15L SPRAY	
1141526	X	Anti-rust agent		0,5L		
3	828250	X	Lubricating grease	P-18-4-1-EN	Anti Corrosion Additive	
		X	Bulletin P-18-4-6	P-18-4-6-EN	Water resistant grease for grease gun	
4	1141509	X	Grease		FOR PROPELLER SHAFT., 500GR	
	3551927	X	Grease		FOR CONTROLS., 250GR, OBSOLETE PART	
	3574692	X	Grease		FOR RUST PROTECTION., 115GR, OBSOLETE PART	
5	840879	X	Sealant		25GR	
	1141570	X	Sealant		60GR, OBSOLETE PART	
	841261	X	Sealant		85GR	



MD31A, TMD31A, TMD31B, TAM31A, TAM31B, AQAD31A, AD31A, AD31B

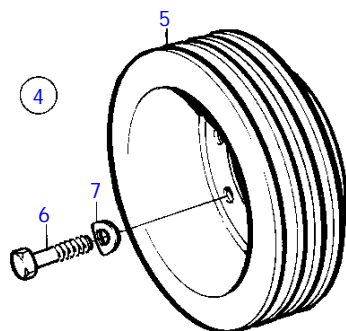
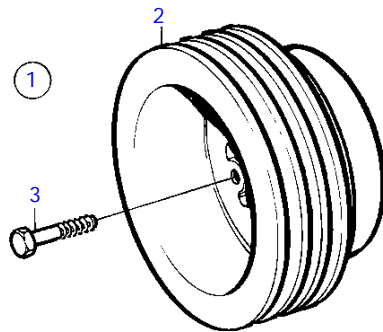


8374

MD31A, TMD31A, TMD31B, TAMD31A, TAMD31B, AQAD31A, AD31A, AD31B

REF	PART NO.	QTY	DESCRIPTION	NOTES
1	858258	1	Bracket	
2	858383	1	* Bracket	OBSOLETE PART
3	463909	2	* * Rubber bushing	
4	858382	1	* Bracket	OBSOLETE PART
5	463909	2	* * Rubber bushing	
6	858175	1	* Plate	
7	858177	4	* Bracket	
8	946472	2	* Flange screw	
9	949279	2	* Flange lock nut	
10	955353	3	* Hexagon screw	
11	955345	1	* Hexagon screw	
12	965179	4	* Flange screw	
13	945408	14	* Flange nut	
14	960141	12	* Washer	
15	946173	10	* Flange screw	
16	845021	2	* Tensioner	(946150)
17	924102	1	* Stud	
18	971096	1	* Flange nut	(945410)
19	858257	X	Belt pulley kit	
20	838596	1	* Pulley	
21	955301	6	* Hexagon screw	

MD31A, TMD31A, TMD31B, TAMD31A, TAMD31B, AQAD31A, AD31A, AD31B



10288

PULLEY: 860024

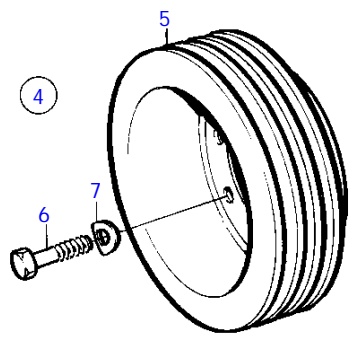
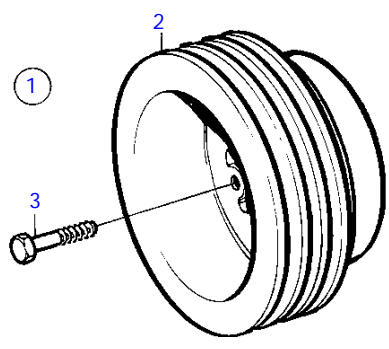
90

MD31A, TMD31A, TMD31B, TAMD31A, TAMD31B, AQAD31A, AD31A, AD31B

REF	PART NO.	QTY	DESCRIPTION	NOTES
1	860024	1	Pulley	HC50
2	860023	1	* Pulley	
3	955307	6	* Hexagon screw	

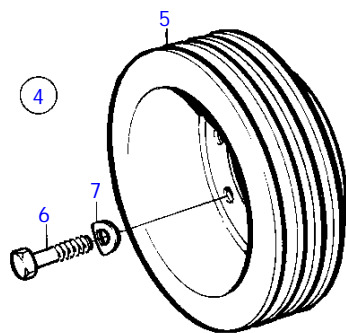
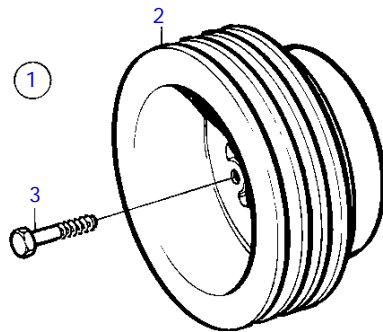


MD31A, TMD31A, TMD31B, TAM31A, TAM31B, AQAD31A, AD31A, AD31B



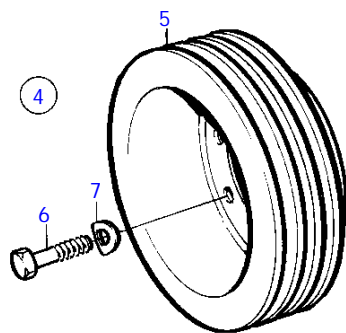
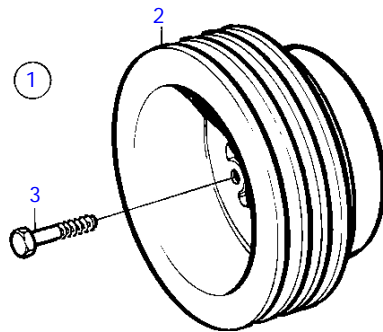
10288

MD31A, TMD31A, TMD31B, TAM31A, TAM31B, AQAD31A, AD31A, AD31B



10288

MD31A, TMD31A, TMD31B, TAM31A, TAM31B, AQAD31A, AD31A, AD31B



10288

PULLEY: 843314

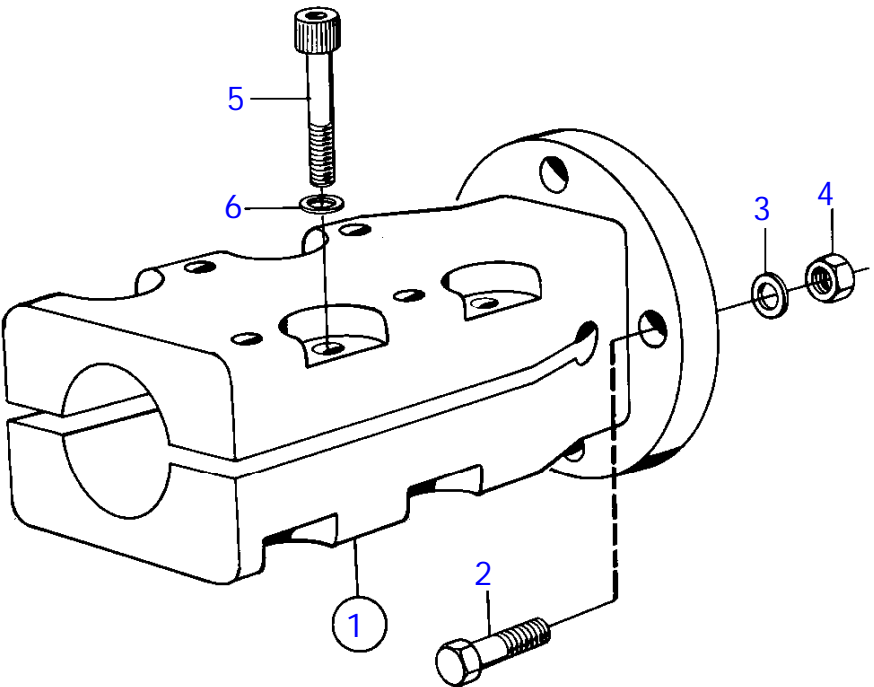
90

MD31A, TMD31A, TMD31B, TAMD31A, TAMD31B, AQAD31A, AD31A, AD31B

REF	PART NO.	QTY	DESCRIPTION	NOTES
4	843314	1	Pulley	B
5	842710	1	* Pulley	
6	955301	6	* Hexagon screw	
7	941907	6	* Spring washer	

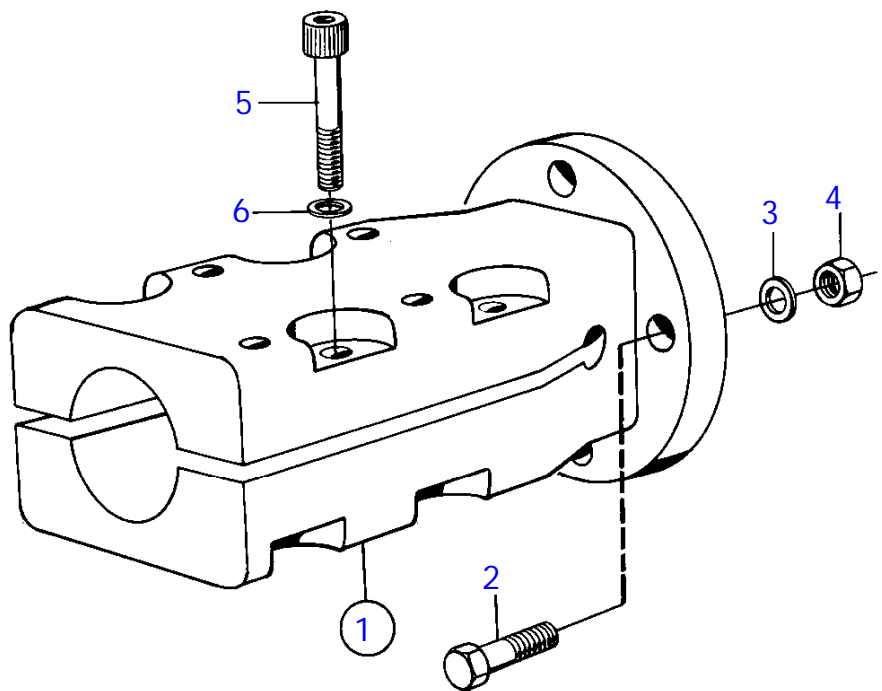


MD31A, TMD31A, TMD31B, TAMD31A, TAMD31B, AQAD31A, AD31A, AD31B



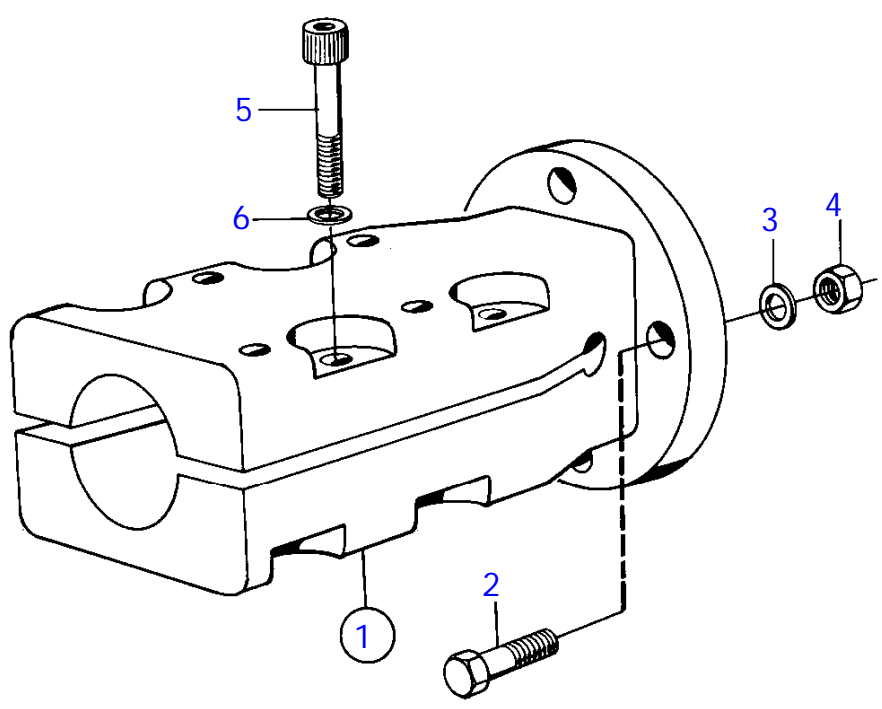
4623

MD31A, TMD31A, TMD31B, TAMD31A, TAMD31B, AQAD31A, AD31A, AD31B



4623

MD31A, TMD31A, TMD31B, TAMD31A, TAMD31B, AQAD31A, AD31A, AD31B

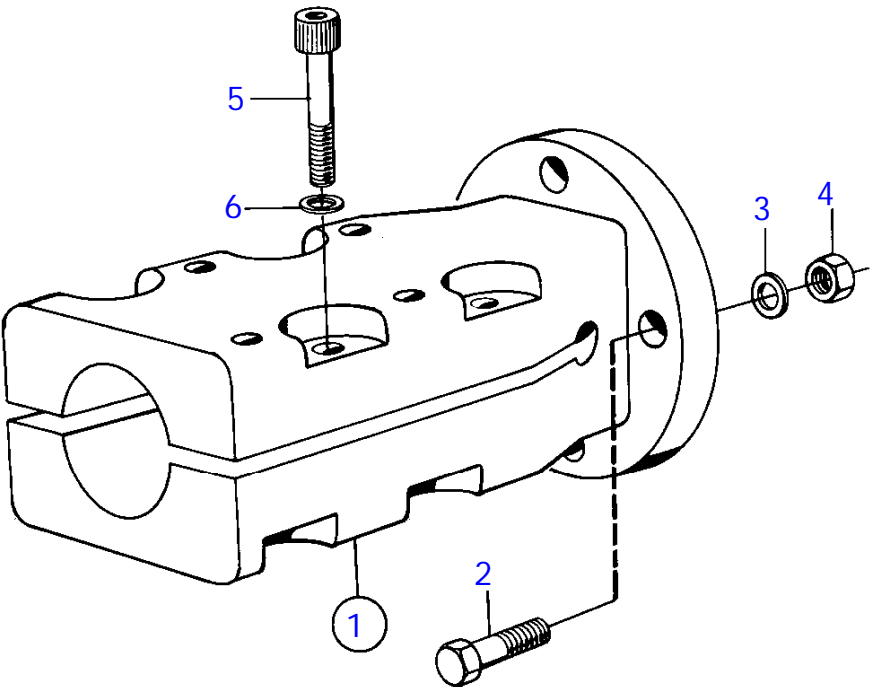


4623

MD31A, TMD31A, TMD31B, TAMD31A, TAMD31B, AQAD31A, AD31A, AD31B

REF	PART NO.	QTY	DESCRIPTION	NOTES
1	828145	1	Clamp coupling	40MM HOLE FOR PROPELLER SHAFT., FOR REVERSE GEAR BORG WARNER AND MS3.
2	955693	4	* Hexagon screw	L = 38 MM
	955691	4	* Hexagon screw	L = 25 MM
3	941909	4	* Spring washer	
4	950375	4	* Lock nut	
5	948670	8	* Hex. socket screw	
6	947345	8	* Washer	

MD31A, TMD31A, TMD31B, TAMD31A, TAMD31B, AQAD31A, AD31A, AD31B



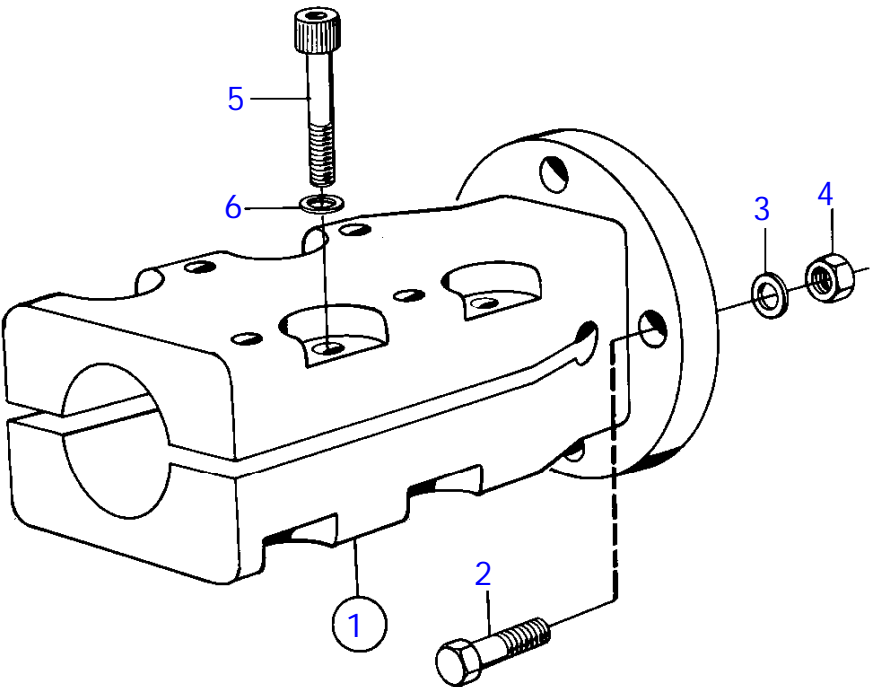
4623

MD31A, TMD31A, TMD31B, TAMD31A, TAMD31B, AQAD31A, AD31A, AD31B

REF	PART NO.	QTY	DESCRIPTION	NOTES
1	828147	1	Clamp coupling	45MM HOLE FOR PROPELLER SHAFT., FOR REVERSE GEAR BORG WARNER AND MS3.
2	955693	4	* Hexagon screw	L = 38 MM
	955691	4	* Hexagon screw	L = 25 MM
3	941909	4	* Spring washer	
4	950375	4	* Lock nut	
5	948670	8	* Hex. socket screw	
6	947345	8	* Washer	



MD31A, TMD31A, TMD31B, TAMD31A, TAMD31B, AQAD31A, AD31A, AD31B



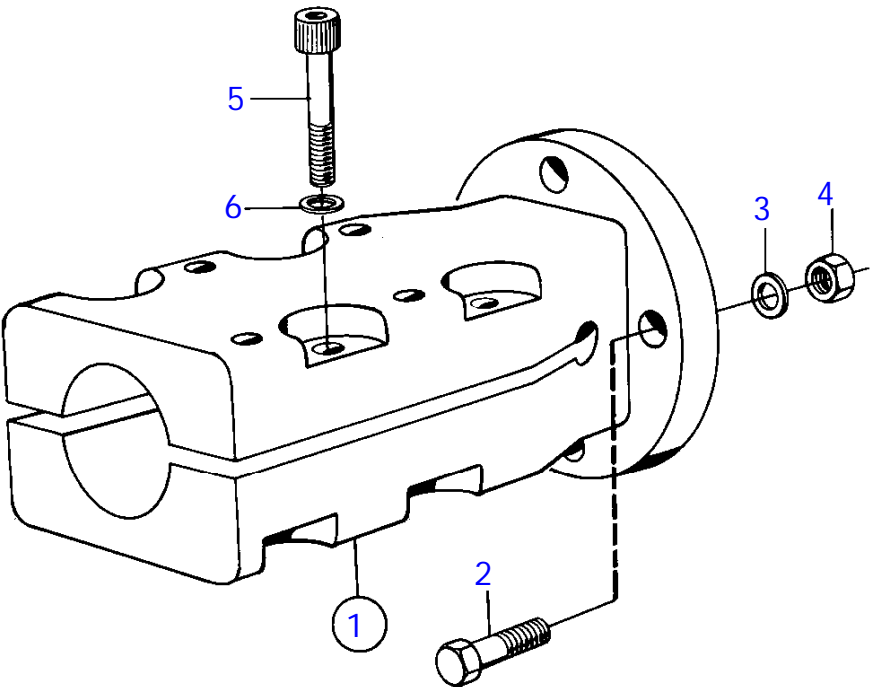
4623

MD31A, TMD31A, TMD31B, TAMD31A, TAMD31B, AQAD31A, AD31A, AD31B

REF	PART NO.	QTY	DESCRIPTION	NOTES
1	853794	1	Clamp coupling	35MM HOLE FOR PROPELLER SHAFT., FOR REVERSE GEAR PRM., OBSOLETE PART
2	955693	4	* Hexagon screw	L = 38 MM
	955691	4	* Hexagon screw	L = 25 MM
3	941909	4	* Spring washer	
4	950375	4	* Lock nut	
5	948670	8	* Hex. socket screw	
6	947345	8	* Washer	



MD31A, TMD31A, TMD31B, TAMD31A, TAMD31B, AQAD31A, AD31A, AD31B

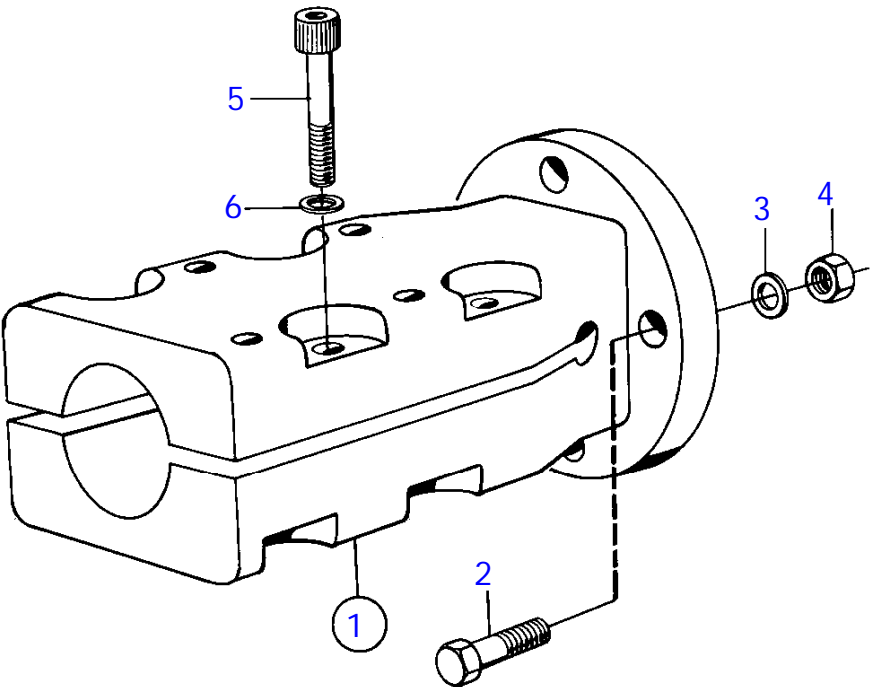


4623

MD31A, TMD31A, TMD31B, TAMD31A, TAMD31B, AQAD31A, AD31A, AD31B

REF	PART NO.	QTY	DESCRIPTION	NOTES
1	853795	1	Clamp coupling	40MM HOLE FOR PROPELLER SHAFT., FOR REVERSE GEAR PRM., OBSOLETE PART
2	955693	4	* Hexagon screw	L = 38 MM
	955691	4	* Hexagon screw	L = 25 MM
3	941909	4	* Spring washer	
4	950375	4	* Lock nut	
5	948670	8	* Hex. socket screw	
6	947345	8	* Washer	

MD31A, TMD31A, TMD31B, TAMD31A, TAMD31B, AQAD31A, AD31A, AD31B

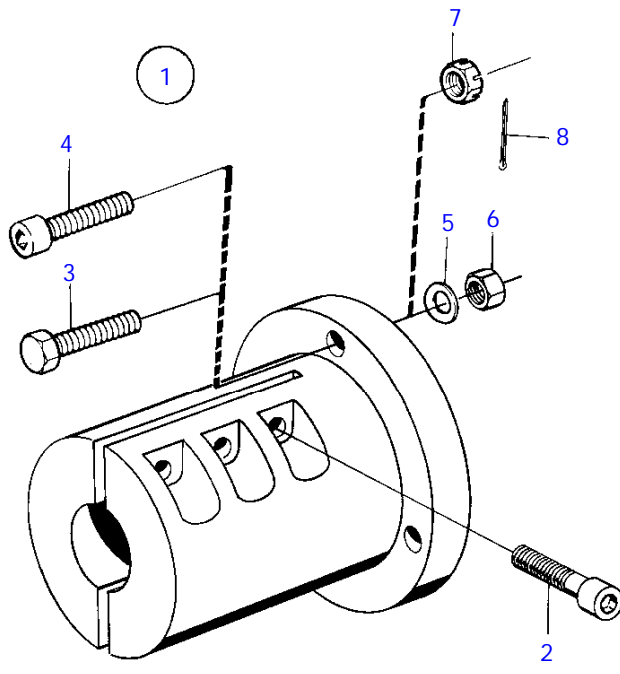


4623

MD31A, TMD31A, TMD31B, TAMD31A, TAMD31B, AQAD31A, AD31A, AD31B

REF	PART NO.	QTY	DESCRIPTION	NOTES
1	853796	1	Clamp coupling	45MM HOLE FOR PROPELLER SHAFT., FOR REVERSE GEAR PRM.
2	955693	4	* Hexagon screw	L = 38 MM
	955691	4	* Hexagon screw	L = 25 MM
3	941909	4	* Spring washer	
4	950375	4	* Lock nut	
5	948670	8	* Hex. socket screw	
6	947345	8	* Washer	

MD31A, TMD31A, TMD31B, TAMD31A, TAMD31B, AQAD31A, AD31A, AD31B

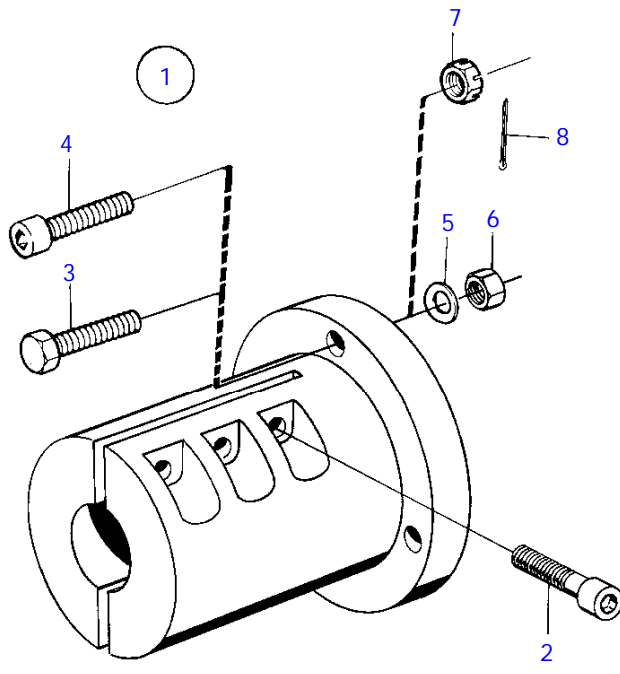


3730

MD31A, TMD31A, TMD31B, TAMD31A, TAMD31B, AQAD31A, AD31A, AD31B

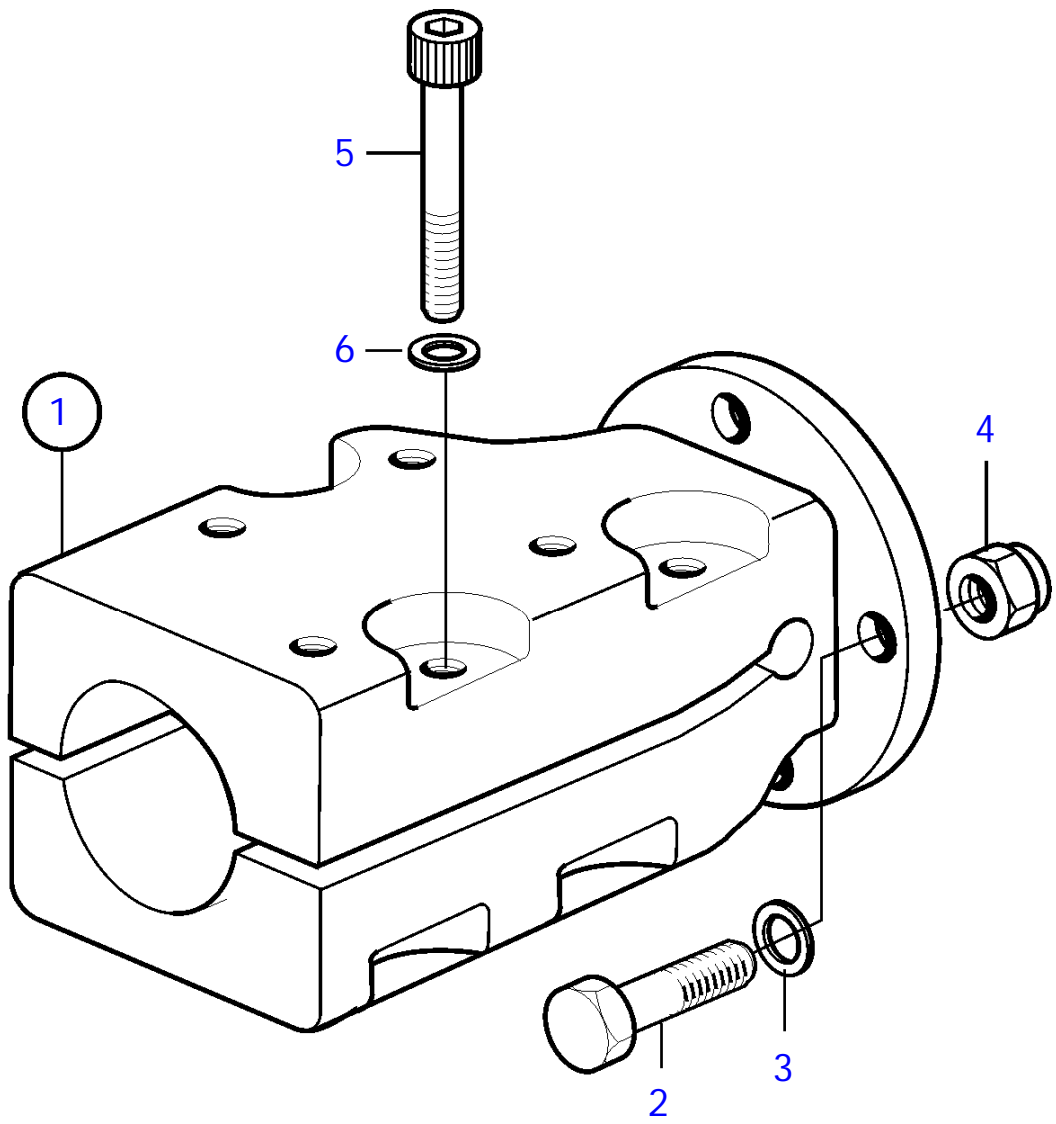
REF	PART NO.	QTY	DESCRIPTION	NOTES
1	827927	1	Clamp coupling	35MM HOLE FOR PROPELLER SHAFT., FOR REVERSE GEAR MS2.
2	949068	6	* Hex. socket screw	
3	955319	4	* Hexagon screw	
4	959239	4	* Hex. socket screw	
5	941908	4	* Spring washer	
6	955783	4	* Hexagon nut	

MD31A, TMD31A, TMD31B, TAMD31A, TAMD31B, AQAD31A, AD31A, AD31B



3730

MD31A, TMD31A, TMD31B, TAMD31A, TAMD31B, AQAD31A, AD31A, AD31B



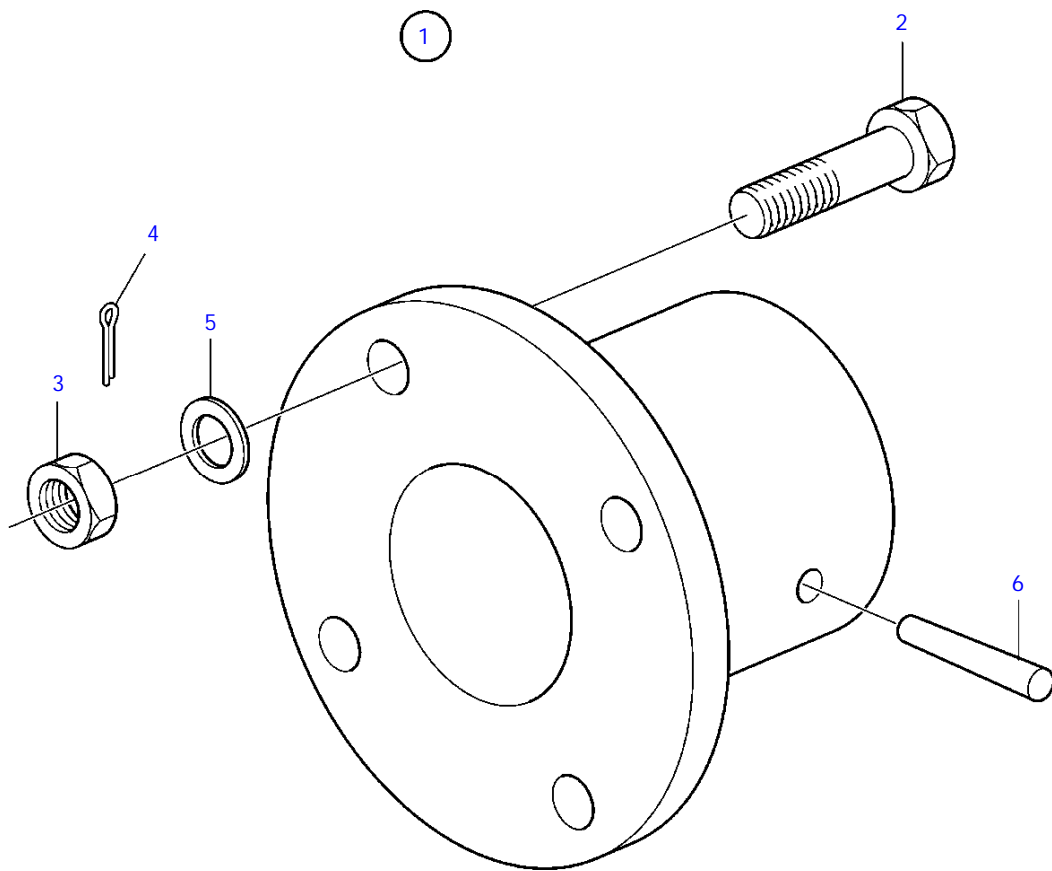
8309

MD31A, TMD31A, TMD31B, TAMD31A, TAMD31B, AQAD31A, AD31A, AD31B

REF	PART NO.	QTY	DESCRIPTION	NOTES
1	828606	1	Clamp flange	35MM HOLE FOR PROPELLER SHAFT., FOR REVERSE GEAR MS2.
2	965185	4	* Flange screw	M10x40mm
3	941909	4	* Spring washer	
4	971089	4	* Lock nut	
5	966789	6	* Hex. socket screw	
6	947345	6	* Washer	



MD31A, TMD31A, TMD31B, TAMD31A, TAMD31B, AQAD31A, AD31A, AD31B

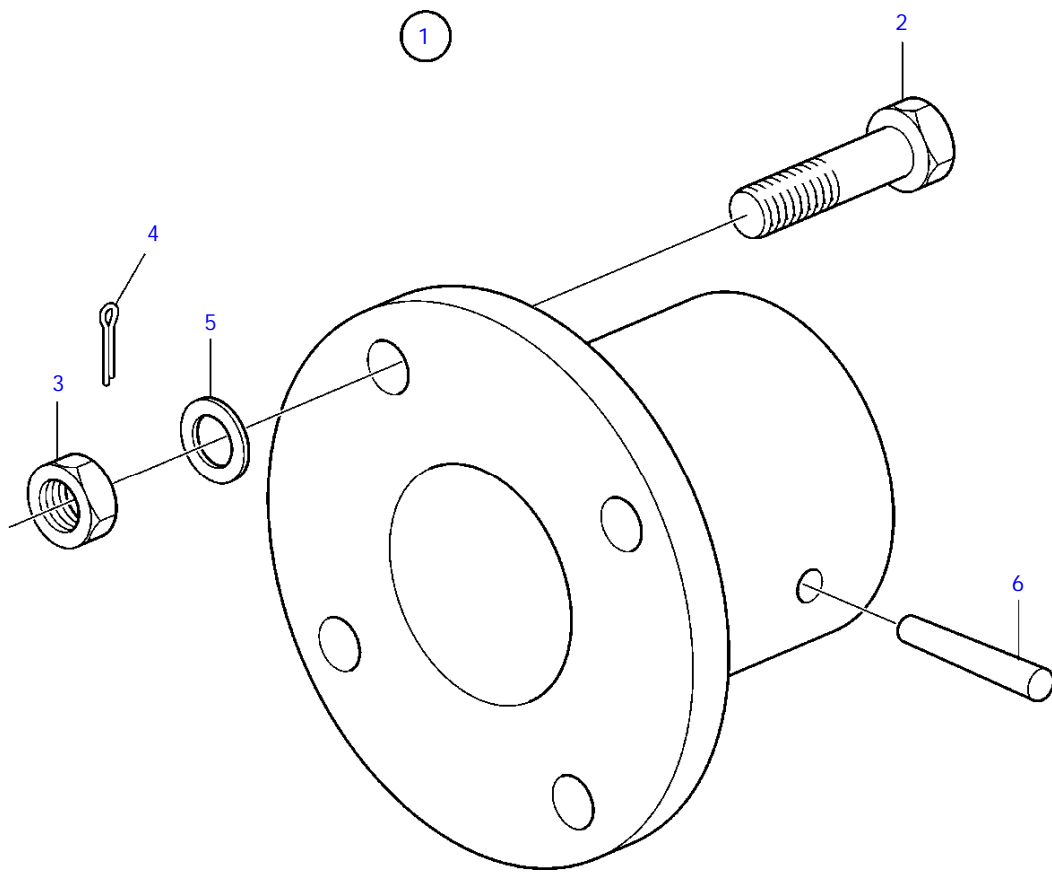


4624

MD31A, TMD31A, TMD31B, TAMD31A, TAMD31B, AQAD31A, AD31A, AD31B

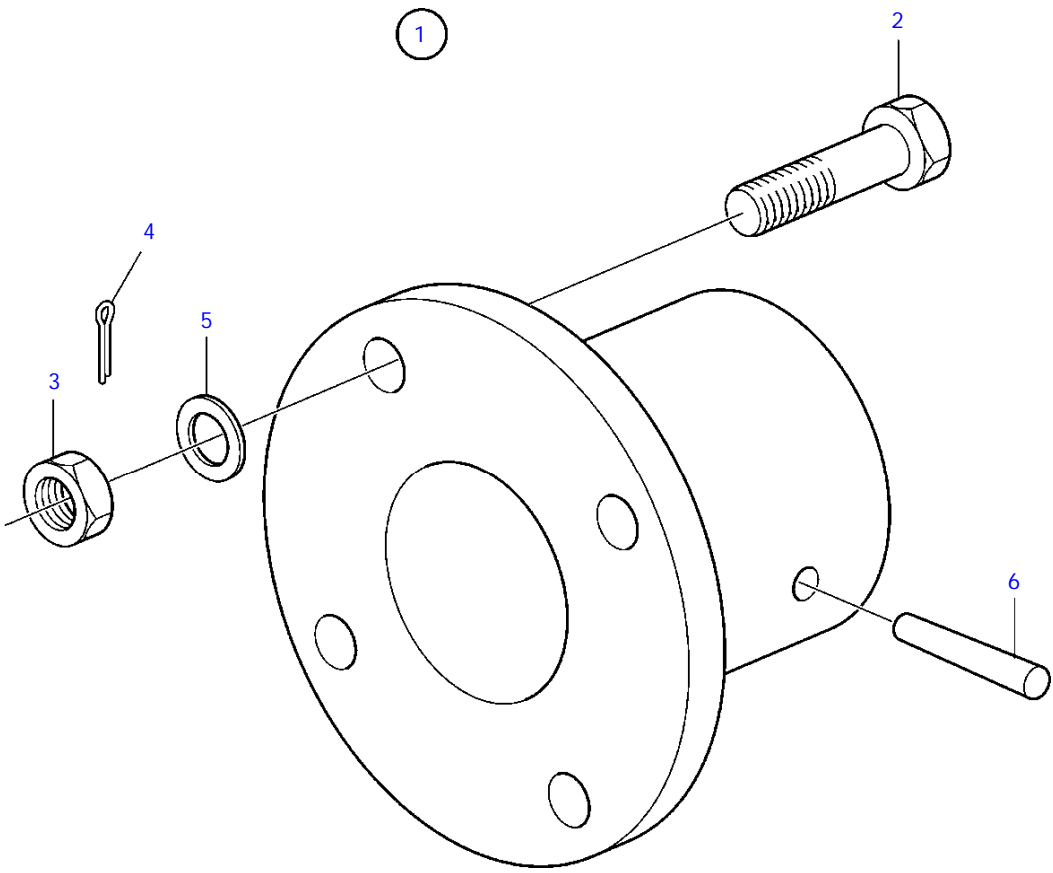
REF	PART NO.	QTY	DESCRIPTION	NOTES
1	828388	1	Shaft flange	FOR SHAFT DIAM. 30MM., OBSOLETE PART
2	955692	4	* Hexagon screw	L = 32 MM
3	955883	4	* Castle nut	
4	907834	4	* Split pin	
5	941909	4	* Spring washer	
6	907617	1	* Taper pin	

MD31A, TMD31A, TMD31B, TAMD31A, TAMD31B, AQAD31A, AD31A, AD31B



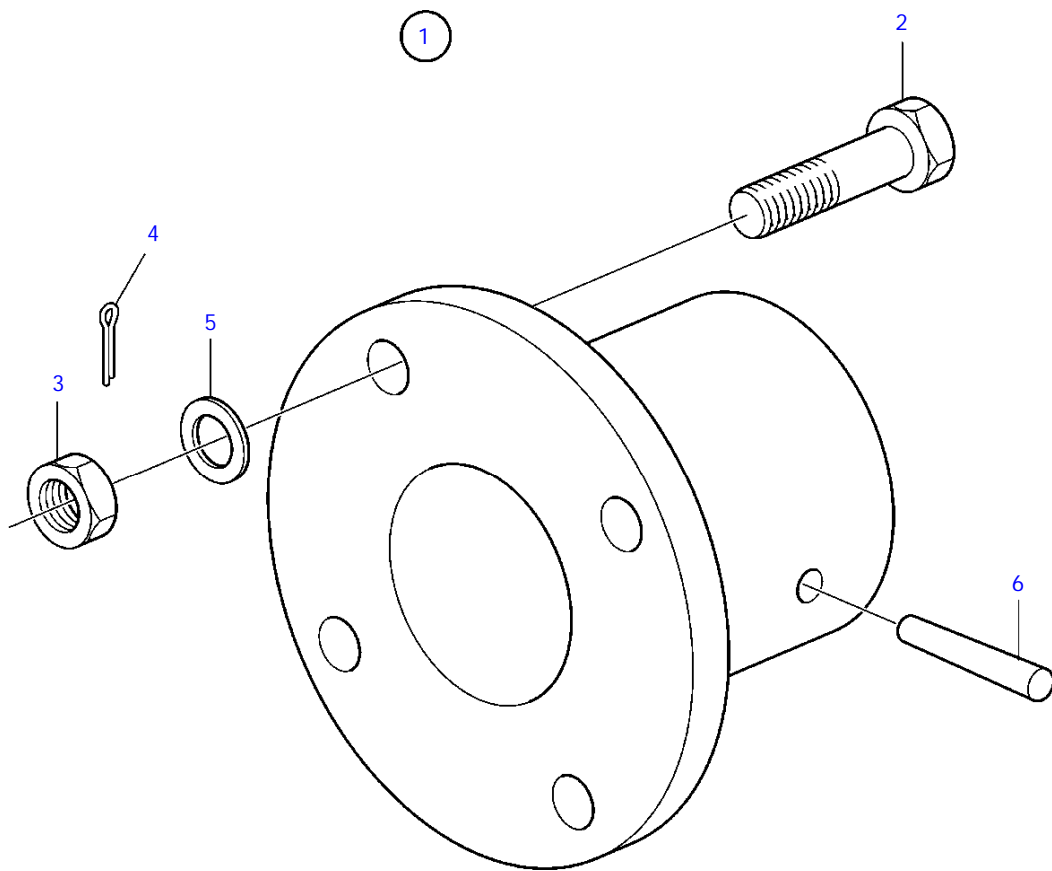
4624

MD31A, TMD31A, TMD31B, TAMD31A, TAMD31B, AQAD31A, AD31A, AD31B



4624

MD31A, TMD31A, TMD31B, TAMD31A, TAMD31B, AQAD31A, AD31A, AD31B

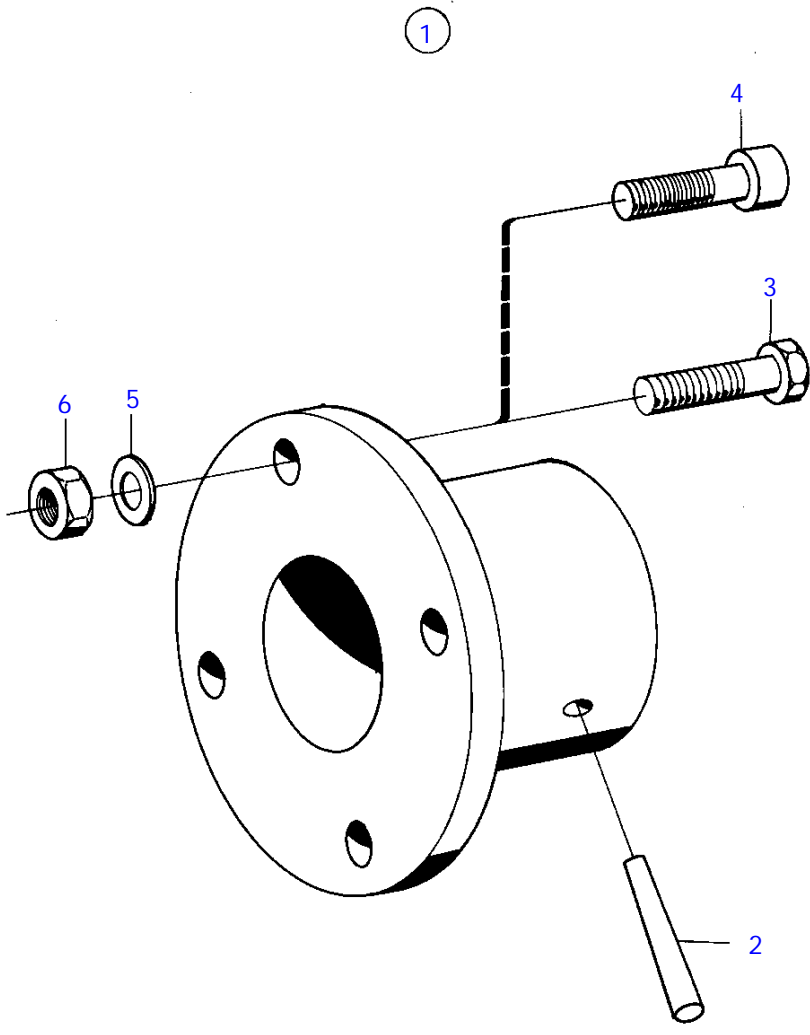


4624

MD31A, TMD31A, TMD31B, TAMD31A, TAMD31B, AQAD31A, AD31A, AD31B

REF	PART NO.	QTY	DESCRIPTION	NOTES
1	819105	1	Clutch flange	FOR SHAFT DIAM. 45MM.
2	955692	4	* Hexagon screw	USE TOGETHER WITH NUT 955883 AND COTTER PIN 907834, EARLY TYPE L = 32 MM
	955693	4	* Hexagon screw	USE TOGETHER WITH LOCK NUT 950375, LATE TYPE L = 38 MM
	955691	4	* Hexagon screw	L = 25 MM
3	955883	4	* Castle nut	USE TOGETHER WITH SCREW 955692 AND COTTER PIN 907834, EARLY TYPE
	950375	4	* Lock nut	USE TOGETHER WITH SCREW 955693, LATE TYPE
4	907834	4	* Split pin	USE TOGETHER WITH SCREW 955692 AND NUT 955883, EARLY TYPE
5	941909	4	* Spring washer	
6	907617	1	* Taper pin	

MD31A, TMD31A, TMD31B, TAMD31A, TAMD31B, AQAD31A, AD31A, AD31B



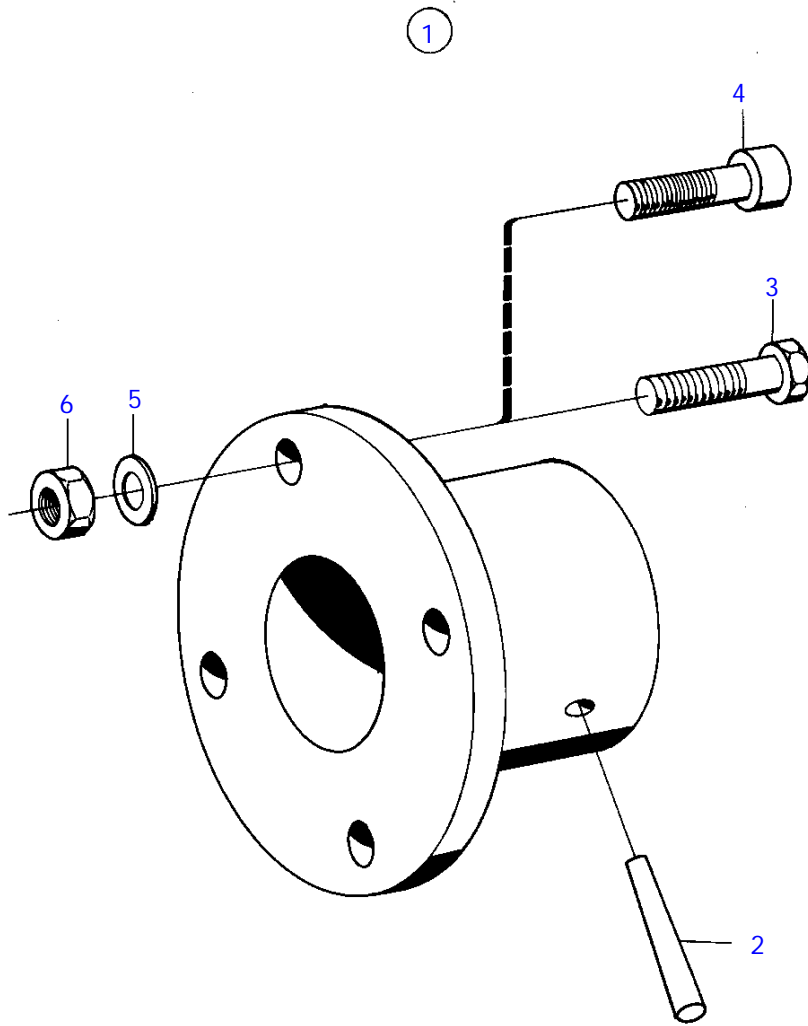
3232

MD31A, TMD31A, TMD31B, TAMD31A, TAMD31B, AQAD31A, AD31A, AD31B

REF	PART NO.	QTY	DESCRIPTION	NOTES
1	806383	1	Clutch flange	CENTER DRILLED., D = 30 MM
2	907599	1	* Taper pin	
3	955319	4	* Hexagon screw	
4	959239	4	* Hex. socket screw	
5	941908	4	* Spring washer	
6	955783	4	* Hexagon nut	

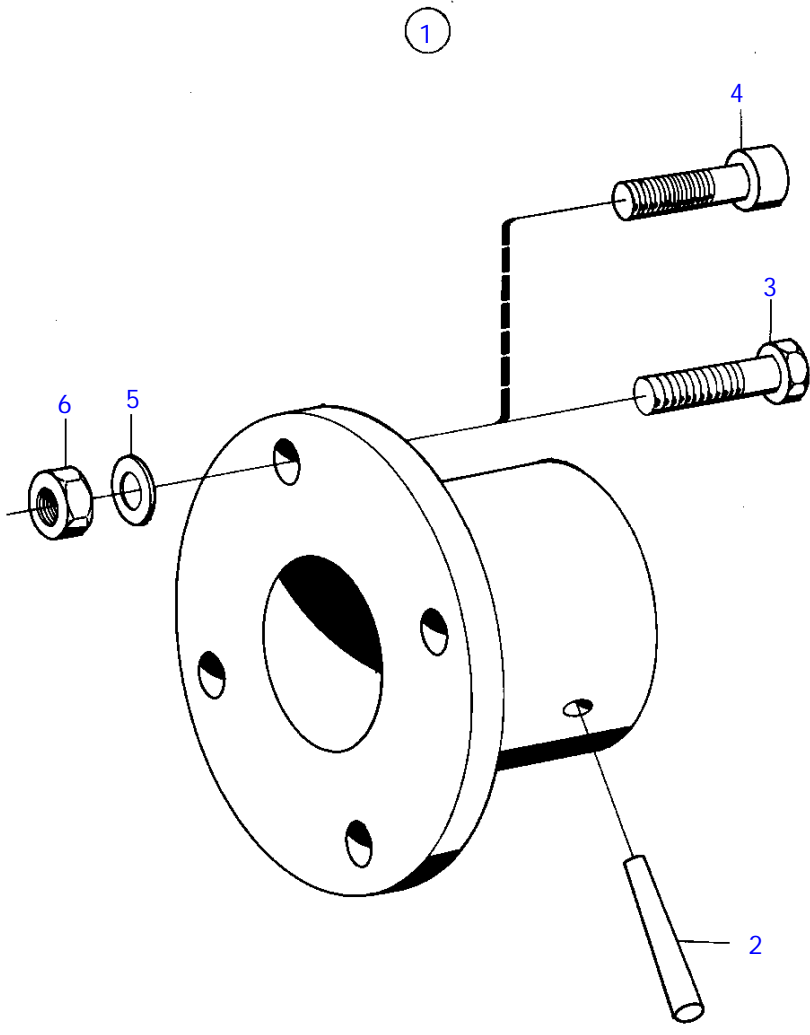


MD31A, TMD31A, TMD31B, TAMD31A, TAMD31B, AQAD31A, AD31A, AD31B



3232

MD31A, TMD31A, TMD31B, TAMD31A, TAMD31B, AQAD31A, AD31A, AD31B

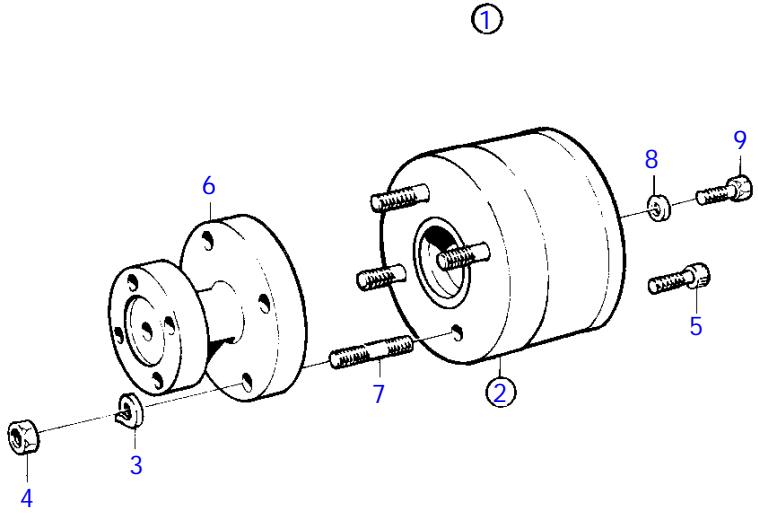


3232

MD31A, TMD31A, TMD31B, TAMD31A, TAMD31B, AQAD31A, AD31A, AD31B

REF	PART NO.	QTY	DESCRIPTION	NOTES
1	806385	1	Clutch flange	D = 30 MM, OBSOLETE PART
2	907599	1	* Taper pin	
3	955319	4	* Hexagon screw	
4	959239	4	* Hex. socket screw	
5	941908	4	* Spring washer	
6	955783	4	* Hexagon nut	

MD31A, TMD31A, TMD31B, TAMD31A, TAMD31B, AQAD31A, AD31A, AD31B

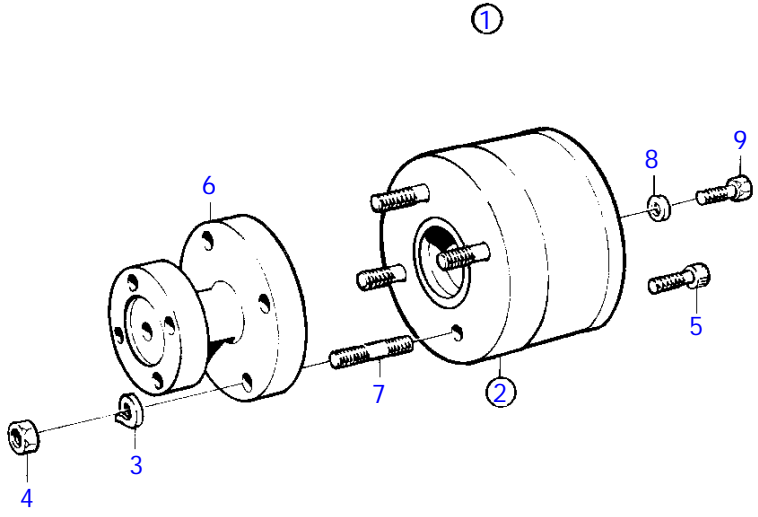


9010

MD31A, TMD31A, TMD31B, TAMD31A, TAMD31B, AQAD31A, AD31A, AD31B

REF	PART NO.	QTY	DESCRIPTION	NOTES
1	838471	1	Spacer flange	100MM, OBSOLETE PART
2	828831	1	* Clutch	OBSOLETE PART
3	941909	4	* * Spring washer	
4	955849	4	* * Hexagon nut	
5	959241	6	* * Hex. socket screw	
6		1	* FLANGE	
7		4	* STUD BOLT	
8	941908	1	* Spring washer	
9	955318	1	* Hexagon screw	

MD31A, TMD31A, TMD31B, TAMD31A, TAMD31B, AQAD31A, AD31A, AD31B



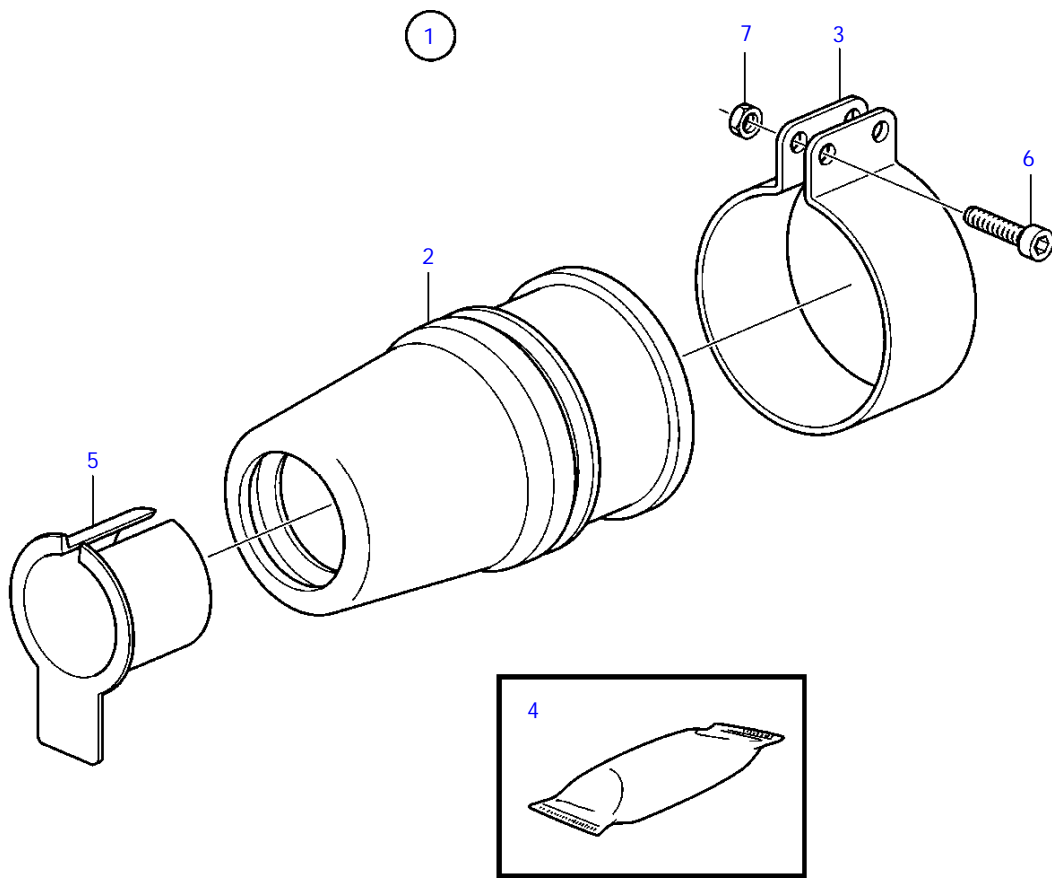
9010

MD31A, TMD31A, TMD31B, TAMD31A, TAMD31B, AQAD31A, AD31A, AD31B

REF	PART NO.	QTY	DESCRIPTION	NOTES
1	829252	1	Elastic coupling	REPL BY 828831, OBSOLETE PART
2		1	• COUPLING	
3	941909	4	• • Spring washer	
4	955849	4	• • Hexagon nut	
5	959241	6	• • Hex. socket screw	



MD31A, TMD31A, TMD31B, TAMD31A, TAMD31B, AQAD31A, AD31A, AD31B

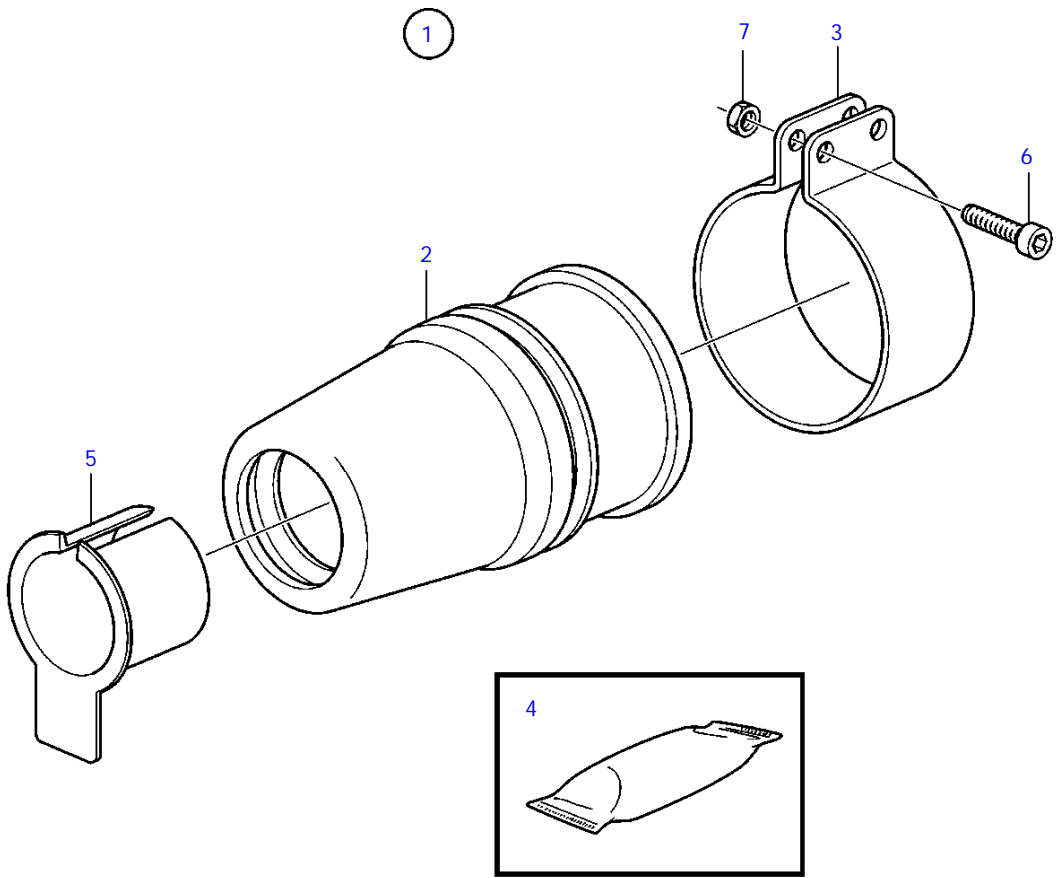


6147

MD31A, TMD31A, TMD31B, TAMD31A, TAMD31B, AQAD31A, AD31A, AD31B

REF	PART NO.	QTY	DESCRIPTION	SEE SEC.	NOTES
1	828254	1	Sealing		D = 25 MM
			Bulletin P-44-6-1	P-44-6-1-EN	Rubber Stuffing Box
2		1	* STUFFING BOX		
3	828142	1	* Clamp		
4	828250	1	* Lubricating grease		
			Bulletin P-18-4-6	P-18-4-6-EN	Water resistant grease for grease gun
5		1	* UNIVERSAL SLEEVE		
6	963684	2	* Hex. socket screw		
7	966170	2	* Lock nut		

MD31A, TMD31A, TMD31B, TAMD31A, TAMD31B, AQAD31A, AD31A, AD31B



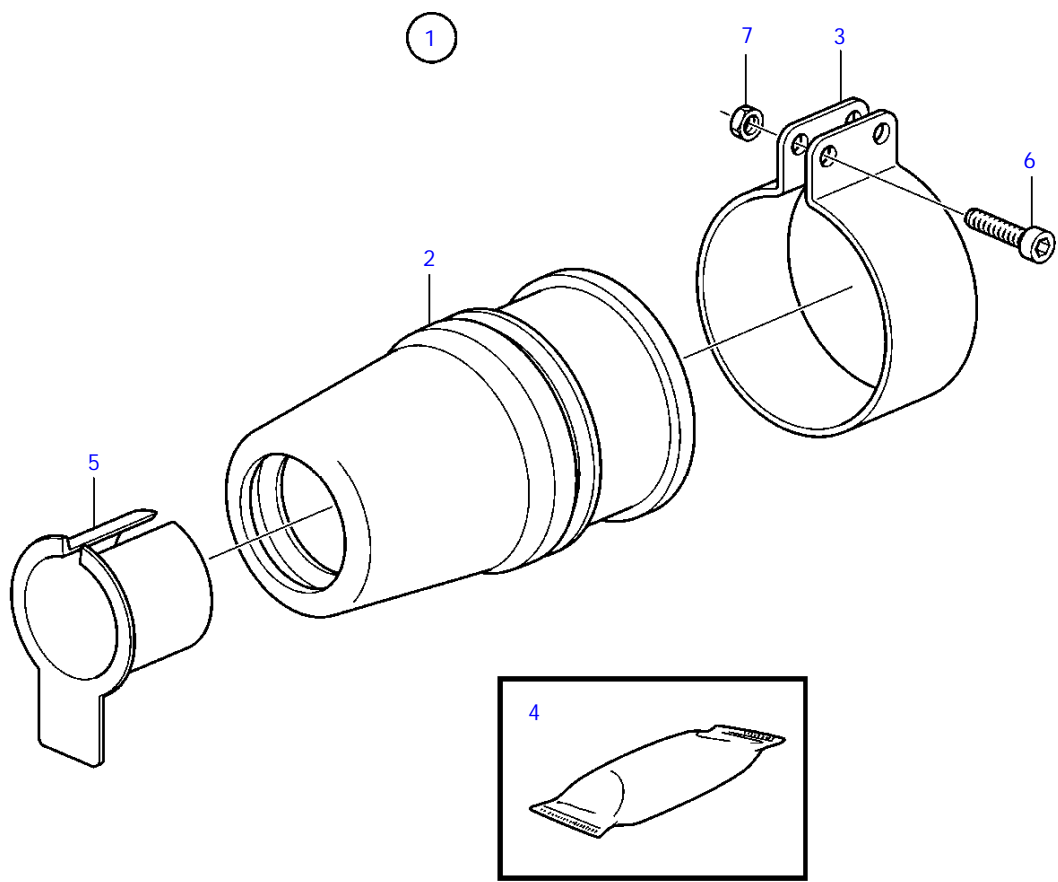
6147



MD31A, TMD31A, TMD31B, TAMD31A, TAMD31B, AQAD31A, AD31A, AD31B

REF	PART NO.	QTY	DESCRIPTION	SEE SEC.	NOTES
1	828422	1	Sealing		D = 30 MM
			Bulletin P-44-6-1	P-44-6-1-EN	Rubber Stuffing Box
2		1	* STUFFING BOX		
3	828418	1	* Clamp		
4	828250	1	* Lubricating grease		
			Bulletin P-18-4-6	P-18-4-6-EN	Water resistant grease for grease gun
5		1	* UNIVERSAL SLEEVE		
6	963684	2	* Hex. socket screw		
7	966170	2	* Lock nut		

MD31A, TMD31A, TMD31B, TAMD31A, TAMD31B, AQAD31A, AD31A, AD31B

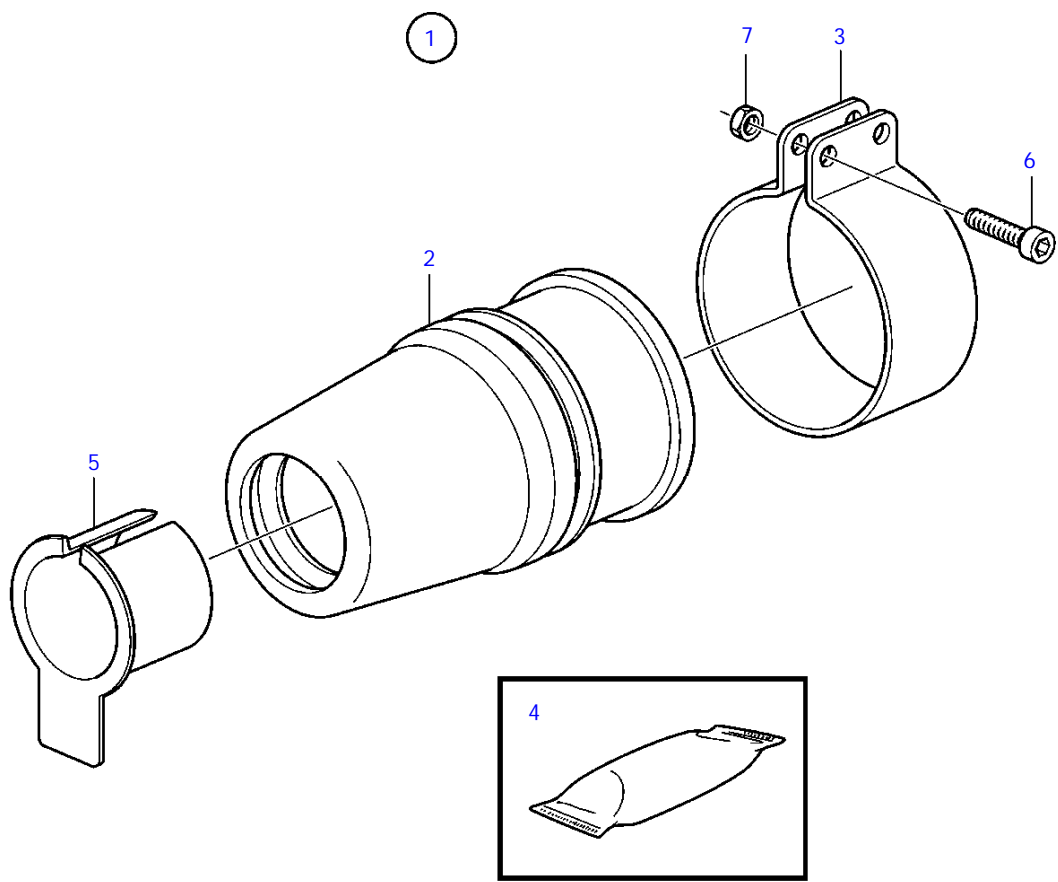


6147

MD31A, TMD31A, TMD31B, TAMD31A, TAMD31B, AQAD31A, AD31A, AD31B

REF	PART NO.	QTY	DESCRIPTION	SEE SEC.	NOTES
1	828526	1	Sealing		D = 35 MM
			Bulletin P-44-6-1	P-44-6-1-EN	Rubber Stuffing Box
2		1	* STUFFING BOX		
3	828528	1	* Clamp		
4	828250	1	* Lubricating grease		
			Bulletin P-18-4-6	P-18-4-6-EN	Water resistant grease for grease gun
5		1	* UNIVERSAL SLEEVE		
6	963684	2	* Hex. socket screw		
7	966170	2	* Lock nut		

MD31A, TMD31A, TMD31B, TAMD31A, TAMD31B, AQAD31A, AD31A, AD31B

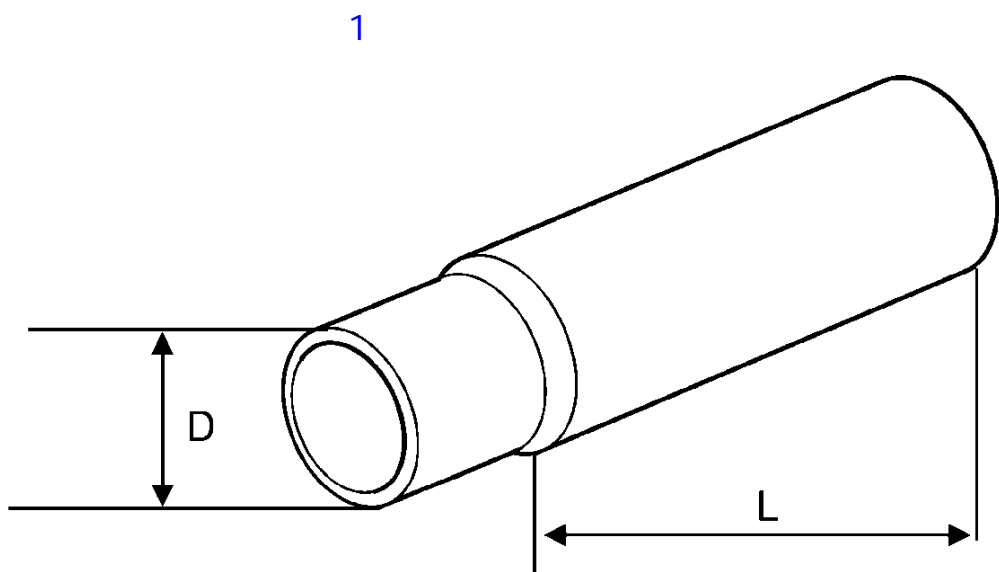


6147

MD31A, TMD31A, TMD31B, TAMD31A, TAMD31B, AQAD31A, AD31A, AD31B

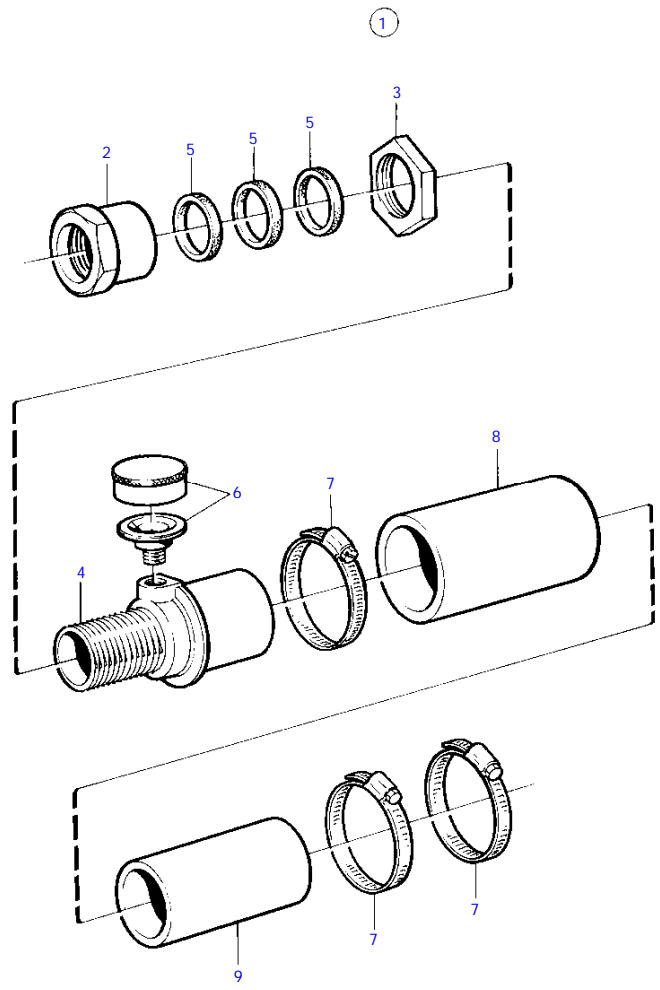
REF	PART NO.	QTY	DESCRIPTION	SEE SEC.	NOTES
1	828527	1	Sealing		D = 40 MM
			Bulletin P-44-6-1	P-44-6-1-EN	Rubber Stuffing Box
2		1	* STUFFING BOX		
3	828528	1	* Clamp		
4	828250	1	* Lubricating grease		
			Bulletin P-18-4-6	P-18-4-6-EN	Water resistant grease for grease gun
5		1	* UNIVERSAL SLEEVE		
6	963684	2	* Hex. socket screw		
7	966170	2	* Lock nut		

MD31A, TMD31A, TMD31B, TAMD31A, TAMD31B, AQAD31A, AD31A, AD31B



8498

MD31A, TMD31A, TMD31B, TAMD31A, TAMD31B, AQAD31A, AD31A, AD31B



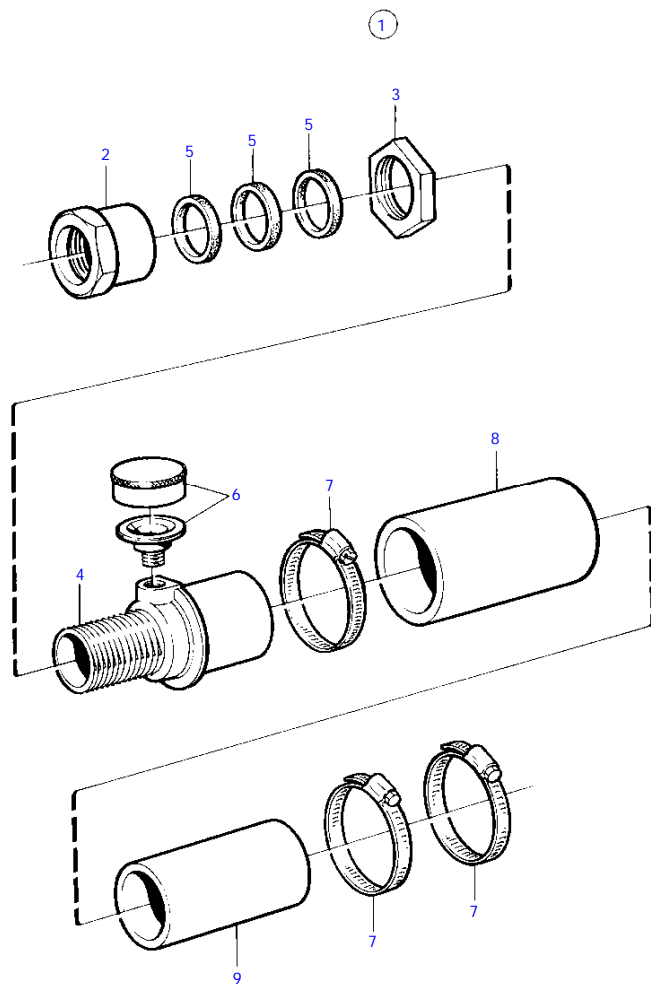
9657



MD31A, TMD31A, TMD31B, TAMD31A, TAMD31B, AQAD31A, AD31A, AD31B

REF	PART NO.	QTY	DESCRIPTION	NOTES
1	859012	1	Stuffing box	FOR SHAFT DIAM. 25MM.
2		1	*	
3		1	*	
4		1	*	
5	859003	3	* Box gasket	
6	914138	1	* Lubricator	
7	961672	3	* Hose clamp	
8	825672	1	* Rubber hose	

MD31A, TMD31A, TMD31B, TAMD31A, TAMD31B, AQAD31A, AD31A, AD31B

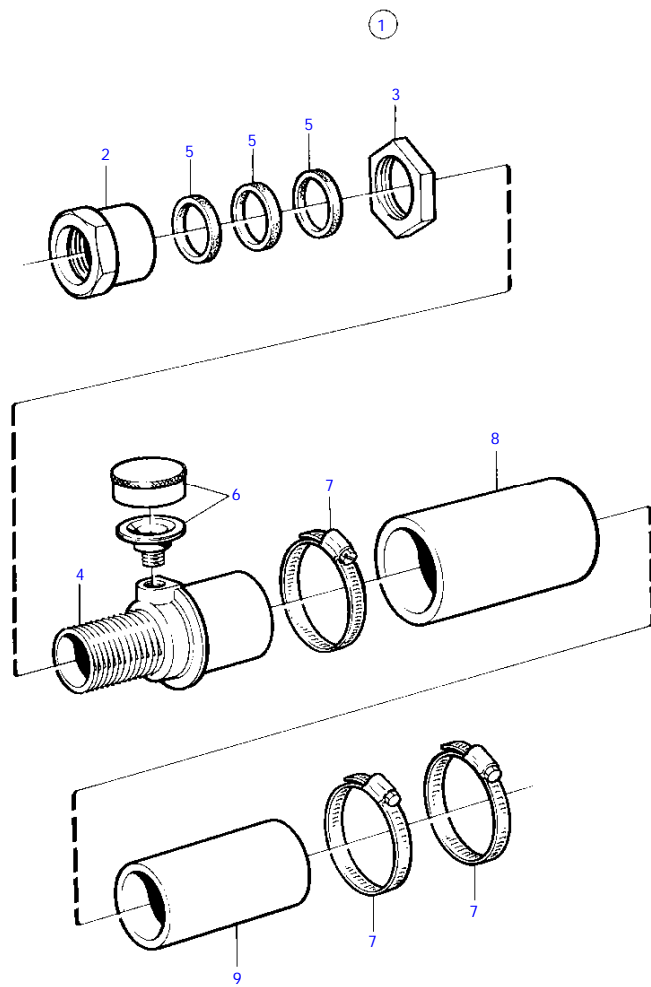


9657

MD31A, TMD31A, TMD31B, TAMD31A, TAMD31B, AQAD31A, AD31A, AD31B

REF	PART NO.	QTY	DESCRIPTION	NOTES
1	859013	1	Stuffing box	FOR SHAFT DIAM. 30MM.
2		1	*	
3		1	*	
4		1	*	
5	859006	3	* Box gasket	
6	914138	1	* Lubricator	
7	961674	3	* Hose clamp	
8	825673	1	* Rubber hose	

MD31A, TMD31A, TMD31B, TAMD31A, TAMD31B, AQAD31A, AD31A, AD31B

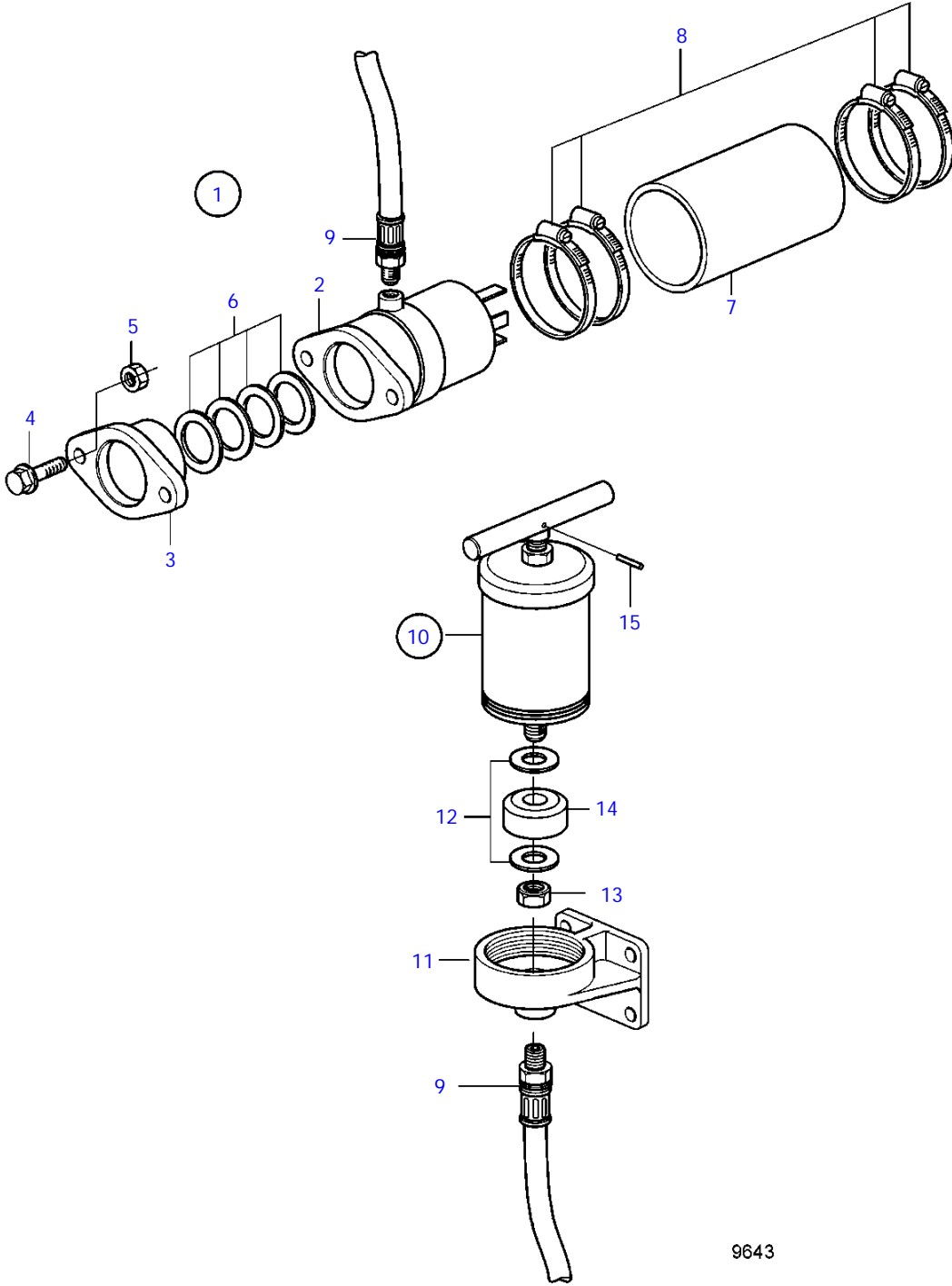


9657

MD31A, TMD31A, TMD31B, TAMD31A, TAMD31B, AQAD31A, AD31A, AD31B

REF	PART NO.	QTY	DESCRIPTION	NOTES
1	859014	1	Stuffing box	FOR SHAFT DIAM. 35MM.
2		1	*	
3		1	*	
4		1	*	
5	859007	3	* Box gasket	
6	914138	1	* Lubricator	
7	961674	3	* Hose clamp	
8	827179	1	* Rubber hose	OBSOLETE PART
9		1	*	

MD31A, TMD31A, TMD31B, TAM31A, TAM31B, AQAD31A, AD31A, AD31B



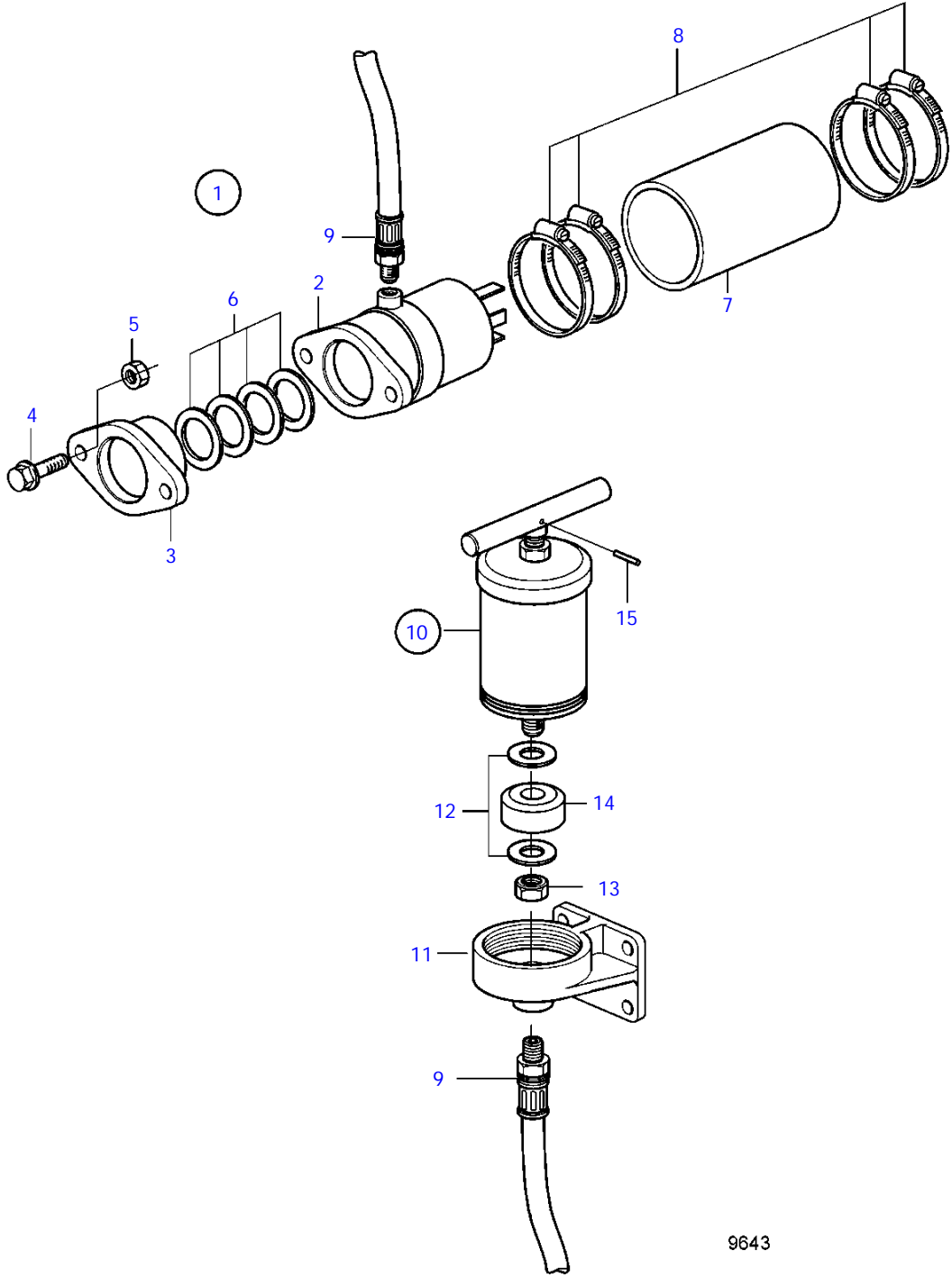
9643



MD31A, TMD31A, TMD31B, TAMD31A, TAMD31B, AQAD31A, AD31A, AD31B

REF	PART NO.	QTY	DESCRIPTION	NOTES
1	859016	1	Stuffing box	FOR SHAFT DIAM. 40MM.
2	828137	1	* Stuffing box	OBSOLETE PART
3	828287	1	* Gland	OBSOLETE PART
4	963568	2	* Hexagon screw	
5	17624	2	* Hexagon nut	
6	859008	4	* Box gasket	
7		1	* Hose	
8	961673	4	* Hose clamp	
9	833842	1	* Hose	
10	827184	1	* Grease press	
11		1	* * END COVER	
12	948087	2	* * Washer	
13	950354	1	* * Lock nut	
14	815579	1	* * Leather cuff	
15	907173	1	* * Grooved pin	OBSOLETE PART

MD31A, TMD31A, TMD31B, TAM31A, TAM31B, AQAD31A, AD31A, AD31B



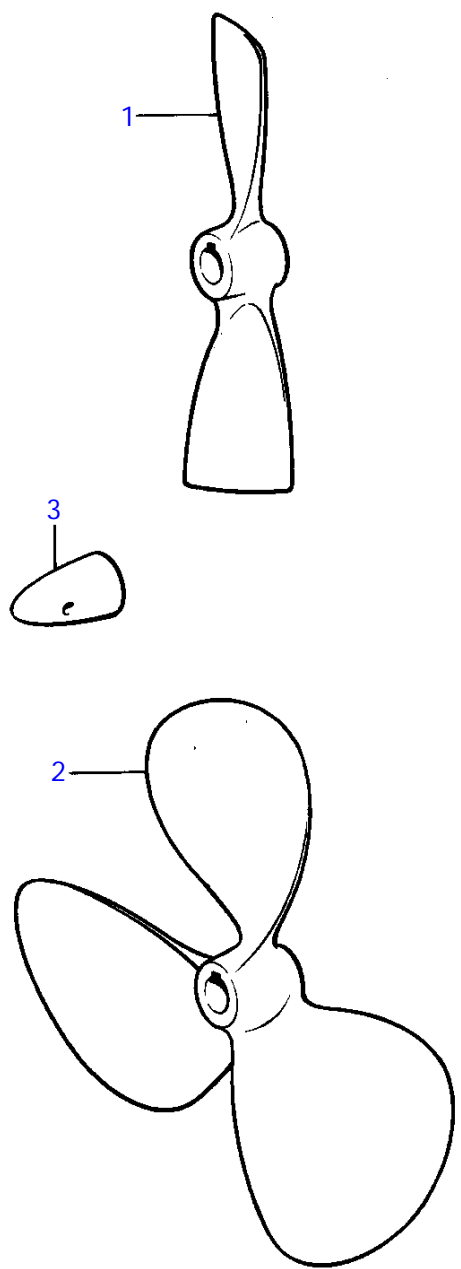
9643



MD31A, TMD31A, TMD31B, TAMD31A, TAMD31B, AQAD31A, AD31A, AD31B

REF	PART NO.	QTY	DESCRIPTION	NOTES
1	859017	1	Stuffing box	FOR SHAFT DIAM. 45MM.
2	828191	1	* Stuffing box	OBSOLETE PART
3		1	*	
4	963568	2	* Hexagon screw	
5	17624	2	* Hexagon nut	
6	859028	4	* Box gasket	
7	828172	1	* Hose	OBSOLETE PART
8	961674	4	* Hose clamp	
9	833842	1	* Hose	
10	827184	1	* Grease press	
11		1	* * END COVER	
12	948087	2	* * Washer	
13	950354	1	* * Lock nut	
14	815579	1	* * Leather cuff	
15	907173	1	* * Grooved pin	OBSOLETE PART

MD31A, TMD31A, TMD31B, TAMD31A, TAMD31B, AQAD31A, AD31A, AD31B

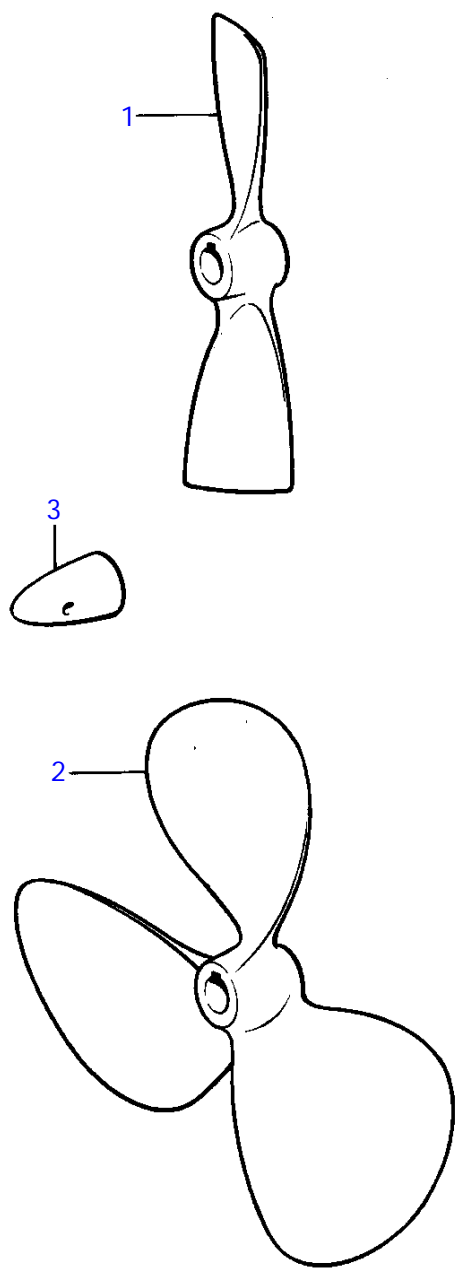


6081

MD31A, TMD31A, TMD31B, TAMD31A, TAMD31B, AQAD31A, AD31A, AD31B

REF	PART NO.	QTY	DESCRIPTION	SEE SEC.	NOTES
1	817461	1	Propeller		13X10X25, OBSOLETE PART
	817424	1	Propeller		13X13X25, OBSOLETE PART
	871507	1	Propeller		14X9X25, OBSOLETE PART
	816878	1	Propeller		14X11X25, OBSOLETE PART
	871509	1	Propeller		15X9X25
	871512	1	Propeller		15X15X25, OBSOLETE PART
	871181	1	Propeller		(871126) 16X13X25, OBSOLETE PART
			Bulletin 55-02	55-02-EN	New Standard for Propeller Shafts and Bronze Propellers
1	871518	1	Propeller		18X12X30, OBSOLETE PART
	871502	1	Propeller		18X13X35
	871185	1	Propeller		(871520) 18X15X30
			Bulletin 55-02	55-02-EN	New Standard for Propeller Shafts and Bronze Propellers
2	871616	1	Propeller		(871017) 13X9X25, OBSOLETE PART
			Bulletin 55-02	55-02-EN	New Standard for Propeller Shafts and Bronze Propellers
2	871600	1	Propeller		(871022) 14X9X25, OBSOLETE PART
			Bulletin 55-02	55-02-EN	New Standard for Propeller Shafts and Bronze Propellers
2	871617	1	Propeller		(871025) 14X10X25, OBSOLETE PART
			Bulletin 55-02	55-02-EN	New Standard for Propeller Shafts and Bronze Propellers
2	871618	1	Propeller		(871034) 14X13X25, OBSOLETE PART
			Bulletin 55-02	55-02-EN	New Standard for Propeller Shafts and Bronze Propellers
2	871037	1	Propeller		14X14X30, OBSOLETE PART
	871043	1	Propeller		15x10x30, OBSOLETE PART
	871045	1	Propeller		15X11X25, OBSOLETE PART
	871048	1	Propeller		15X12X25, OBSOLETE PART
	871049	1	Propeller		15X12X30, OBSOLETE PART
	871619	1	Propeller		(871051) 15X13X25, OBSOLETE PART
			Bulletin 55-02	55-02-EN	New Standard for Propeller Shafts and Bronze Propellers
2	871052	1	Propeller		15X13X30, OBSOLETE PART
	871620	1	Propeller		(871055) 15X14X25, OBSOLETE PART
			Bulletin 55-02	55-02-EN	New Standard for Propeller Shafts and Bronze Propellers
2	871056	1	Propeller		15X14X30, OBSOLETE PART
	871069	1	Propeller		16X9X30, OBSOLETE PART
	871072	1	Propeller		16X11X25, OBSOLETE PART
	871075	1	Propeller		16X12X25, OBSOLETE PART
	871078	1	Propeller		16X13X25, OBSOLETE PART
	871217	1	Propeller		(871079) 16X13X35
			Bulletin 55-02	55-02-EN	New Standard for Propeller Shafts and Bronze Propellers
2	871218	1	Propeller		(871086) 16X15X35
			Bulletin 55-02	55-02-EN	New Standard for Propeller Shafts and Bronze Propellers
2	871092	1	Propeller		17X11X30, OBSOLETE PART
	871219	1	Propeller		(871107) 17X11X35
			Bulletin 55-02	55-02-EN	New Standard for Propeller Shafts and Bronze Propellers
2	871220	1	Propeller		(871115) 17X12X35
			Bulletin 55-02	55-02-EN	New Standard for Propeller Shafts and Bronze Propellers
2	871109	1	Propeller		17X13X25, OBSOLETE PART
	871096	1	Propeller		17X13X30, OBSOLETE PART
	871221	1	Propeller		(871090) 17X13X35
			Bulletin 55-02	55-02-EN	New Standard for Propeller Shafts and Bronze Propellers
2	871098	1	Propeller		17X14X30, OBSOLETE PART
	871222	1	Propeller		(871099) 17X14X35
			Bulletin 55-02	55-02-EN	New Standard for Propeller Shafts and Bronze Propellers
2	871223	1	Propeller		(871102) 17X15X35
			Bulletin 55-02	55-02-EN	New Standard for Propeller Shafts and Bronze Propellers
2	871117	1	Propeller		17X16X35
	871128	1	Propeller		19X13X35, OBSOLETE PART
	871227	1	Propeller		(871149) 19X13X40, OBSOLETE PART
			Bulletin 55-02	55-02-EN	New Standard for Propeller Shafts and Bronze Propellers
2	871228	1	Propeller		(871150) 19X15X40
			Bulletin 55-02	55-02-EN	New Standard for Propeller Shafts and Bronze Propellers
2	871229	1	Propeller		(871148) 19X17X40
			Bulletin 55-02	55-02-EN	New Standard for Propeller Shafts and Bronze Propellers
2	871226	1	Propeller		(871162) 21X13X35
			Bulletin 55-02	55-02-EN	New Standard for Propeller Shafts and Bronze Propellers
2	871171	1	Propeller		21X17X35, OBSOLETE PART
	871232	1	Propeller		(871193) 23X15X40
			Bulletin 55-02	55-02-EN	New Standard for Propeller Shafts and Bronze Propellers
2	871190	1	Propeller		23X15X45, OBSOLETE PART
	871195	1	Propeller		23X17X35, OBSOLETE PART
3	833913	1	Zinc anode		FOR SHAFT DIAM. 25MM.
	833913	1	Zinc anode		FOR SHAFT DIAM. 30MM.
	833915	1	Zinc anode		FOR SHAFT DIAM. 35MM.
	828140	1	Zinc anode		FOR SHAFT DIAM. 40MM.
	828140	1	Zinc anode		FOR SHAFT DIAM. 45MM.

MD31A, TMD31A, TMD31B, TAMD31A, TAMD31B, AQAD31A, AD31A, AD31B

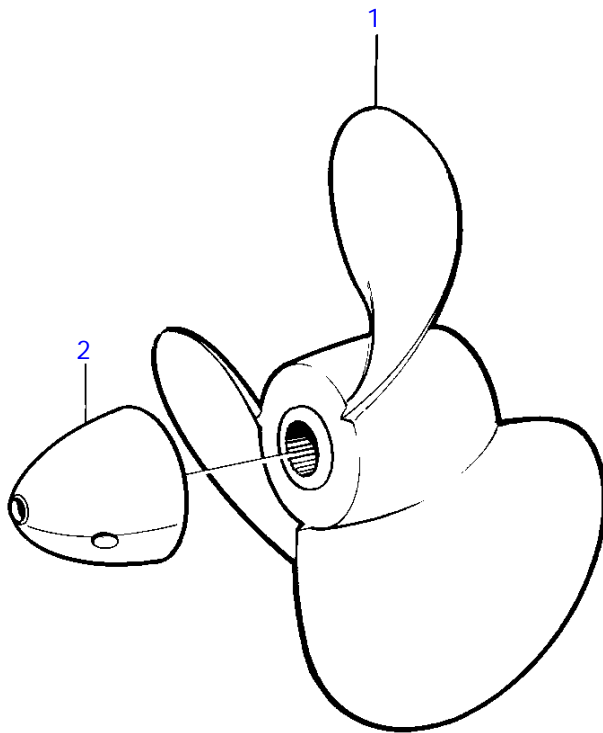


6081

MD31A, TMD31A, TMD31B, TAMD31A, TAMD31B, AQAD31A, AD31A, AD31B

REF	PART NO.	QTY	DESCRIPTION	NOTES
2	871210	1	Propeller	16X13X30, OBSOLETE PART
	871116	1	Propeller	17X15X35, OBSOLETE PART
	871335	1	Propeller	19X12X35, OBSOLETE PART
	871213	1	Propeller	19X15X40, OBSOLETE PART
	871188	1	Propeller	23X13X40, OBSOLETE PART
3	833913	1	Zinc anode	FOR SHAFT DIAM. 25MM.
	833913	1	Zinc anode	FOR SHAFT DIAM. 30MM.
	833915	1	Zinc anode	FOR SHAFT DIAM. 35MM.
	828140	1	Zinc anode	FOR SHAFT DIAM. 40MM.
	828140	1	Zinc anode	FOR SHAFT DIAM. 45MM.

MD31A, TMD31A, TMD31B, TAM31A, TAM31B, AQAD31A, AD31A, AD31B

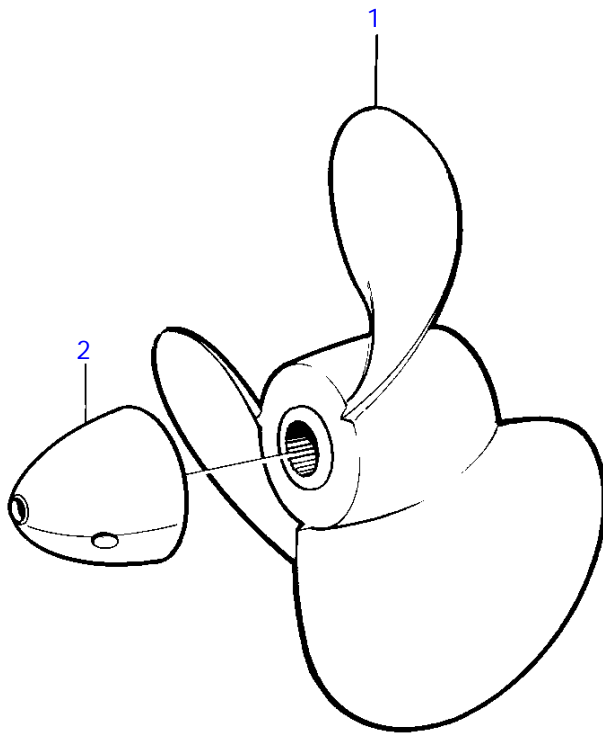


9792

MD31A, TMD31A, TMD31B, TAMD31A, TAMD31B, AQAD31A, AD31A, AD31B

REF	PART NO.	QTY	DESCRIPTION	NOTES
1	813279	1	Propeller	14X10, OBSOLETE PART
	897626	1	Propeller	14X11, OBSOLETE PART
	813282	1	Propeller	14X12, OBSOLETE PART
	813284	1	Propeller	14X13
	813286	1	Propeller	14X14, OBSOLETE PART
	814626	1	Propeller	HIGH SPEED., 14X15
	814627	1	Propeller	HIGH SPEED., 14X17
	813364	1	Propeller	14X18, OBSOLETE PART
	854147	1	Propeller	(814628) 14X19
	850781	1	Propeller	CUP, HIGH SPEED., 14X19, OBSOLETE PART
	813304	1	Propeller	14X20, OBSOLETE PART
	814629	1	Propeller	HIGH SPEED., REPLACED BY PROPELLER 851138 AND PROPELLER CONE 854045, 14X21
	851138	1	Propeller	14X21
	850782	1	Propeller	CUP, HIGH SPEED., 14X21, OBSOLETE PART
	851138	1	Propeller	LONG HUB., HIGH SPEED., 14X21
	839569	1	Propeller	HIGH SPEED., REPLACED BY PROPELLER 851141 AND PROPELLER CONE 854045, 14X23
	851141	1	Propeller	
	851141	1	Propeller	LONG HUB., HIGH SPEED., 14X23
	813296	1	Propeller	15X11
	813316	1	Propeller	15X13
	814611	1	Propeller	HIGH SPEED., 15X15
	854149	1	Propeller	(814612) 15X17
	851124	1	Propeller	LONG HUB., HIGH SPEED., 15X17
	850864	1	Propeller	LONG HUB., HIGH SPEED., 15X19
	850866	1	Propeller	LONG HUB., HIGH SPEED., 15X21
	851035	1	Propeller	LONG HUB., HIGH SPEED., 16X13
	851037	1	Propeller	LONG HUB., HIGH SPEED., 16X15
	832606	1	Propeller	16X16, OBSOLETE PART
	851039	1	Propeller	LONG HUB., HIGH SPEED., 16X17
	852612	1	Propeller	LONG HUB., HIGH SPEED., 16X19
	852633	1	Propeller	LONG HUB., HIGH SPEED., 16X21
	852490	1	Propeller	LONG HUB., HIGH SPEED., 16X23
2	854045	1	Spinner	

MD31A, TMD31A, TMD31B, TAM31A, TAM31B, AQAD31A, AD31A, AD31B



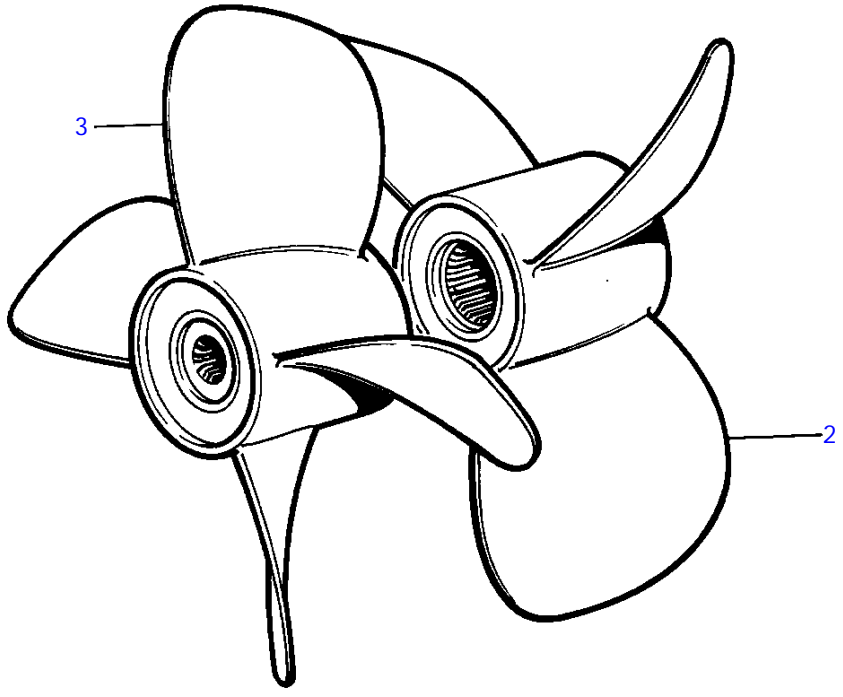
9792

MD31A, TMD31A, TMD31B, TAMD31A, TAMD31B, AQAD31A, AD31A, AD31B

REF	PART NO.	QTY	DESCRIPTION	NOTES
1	813280	1	Propeller	14X10, OBSOLETE PART
	813285	1	Propeller	14X13
	813287	1	Propeller	14X14, OBSOLETE PART
	814631	1	Propeller	HIGH SPEED., 14X15
	813291	1	Propeller	14X16, OBSOLETE PART
	814632	1	Propeller	HIGH SPEED., 14X17
	813365	1	Propeller	14X18, OBSOLETE PART
	854146	1	Propeller	(814633) 14X19
	813368	1	Propeller	14X20, OBSOLETE PART
	814634	1	Propeller	HIGH SPEED., REPLACED BY PROPELLER 851139 AND PROPELLER CONE 854045, 14X21
	851139	1	Propeller	14X21
	851139	1	Propeller	LONG HUB., HIGH SPEED., 14X21
	839570	1	Propeller	HIGH SPEED., REPLACED BY PROPELLER 851142 AND PROPELLER CONE 854045, 14X23
	851142	1	Propeller	14X23
	851142	1	Propeller	LONG HUB., HIGH SPEED., 14X23
	813297	1	Propeller	15X11
	813317	1	Propeller	15X13
	813345	1	Propeller	15X14, OBSOLETE PART
	814615	1	Propeller	HIGH SPEED., 15X15
	854148	1	Propeller	(814616) 15X17
	851125	1	Propeller	LONG HUB., HIGH SPEED., 15X17
	850865	1	Propeller	LONG HUB., HIGH SPEED., 15X19
	850867	1	Propeller	LONG HUB., HIGH SPEED., 15X21
	851036	1	Propeller	LONG HUB., HIGH SPEED., 16X13
	851038	1	Propeller	LONG HUB., HIGH SPEED., 16X15
	851040	1	Propeller	LONG HUB., HIGH SPEED., 16X17
	852493	1	Propeller	LONG HUB., CUP, HIGH SPEED., 16X17, OBSOLETE PART
	852613	1	Propeller	LONG HUB., HIGH SPEED., 16X19
	852634	1	Propeller	LONG HUB., HIGH SPEED., 16X21
	852491	1	Propeller	LONG HUB., HIGH SPEED., 16X23
2	854045	1	Spinner	

MD31A, TMD31A, TMD31B, TAMD31A, TAMD31B, AQAD31A, AD31A, AD31B

1



10099



DUOPROP PROPELLERS FOR DIESEL ENGINES

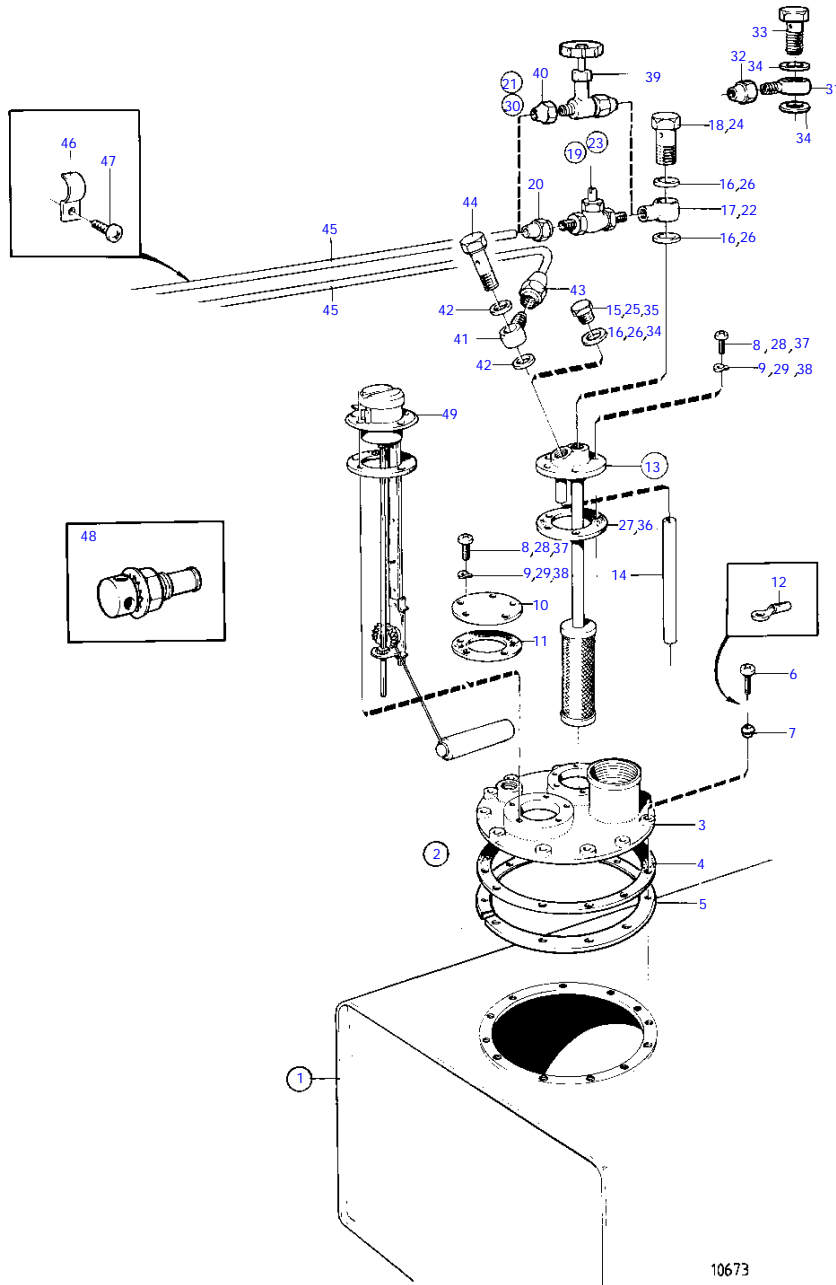
90

MD31A, TMD31A, TMD31B, TAMD31A, TAMD31B, AQAD31A, AD31A, AD31B

REF	PART NO.	QTY	DESCRIPTION	NOTES
1	852681	1	Propeller	
	852682	1	Propeller	A2
	852683	1	Propeller	A3
	852684	1	Propeller	A4
	852685	1	Propeller	A5
	852680	1	Propeller	A6
	852679	1	Propeller	A7
	852678	1	Propeller	A8
	852677	1	Propeller	A9
	852676	1	Propeller	A10
2	852247	1	* Propeller, 3-BLADE	A1
	852243	1	* Propeller, 3-BLADE	A2
	852239	1	* Propeller, 3-BLADE	A3
	852235	1	* Propeller, 3-BLADE	A4
	852231	1	* Propeller, 3-BLADE	A5
	852251	1	* Propeller, 3-BLADE	A6
	852259	1	* Propeller, 3-BLADE	A7
	852263	1	* Propeller, 3-BLADE	A8
	852267	1	* Propeller, 3-BLADE	A9
	852271	1	* Propeller, 3-BLADE	A10
3	852249	1	* Propeller, 4-BLADE	A1
	852245	1	* Propeller, 4-BLADE	A2
	852241	1	* Propeller, 4-BLADE	A3
	852237	1	* Propeller, 4-BLADE	A4
	852233	1	* Propeller, 4-BLADE	A5
	852253	1	* Propeller, 4-BLADE	A6
	852261	1	* Propeller, 4-BLADE	A7
	852265	1	* Propeller, 4-BLADE	A8
	852269	1	* Propeller, 4-BLADE	A9
	852273	1	* Propeller, 4-BLADE	A10



MD31A, TMD31A, TMD31B, TAMD31A, TAMD31B, AQAD31A, AD31A, AD31B

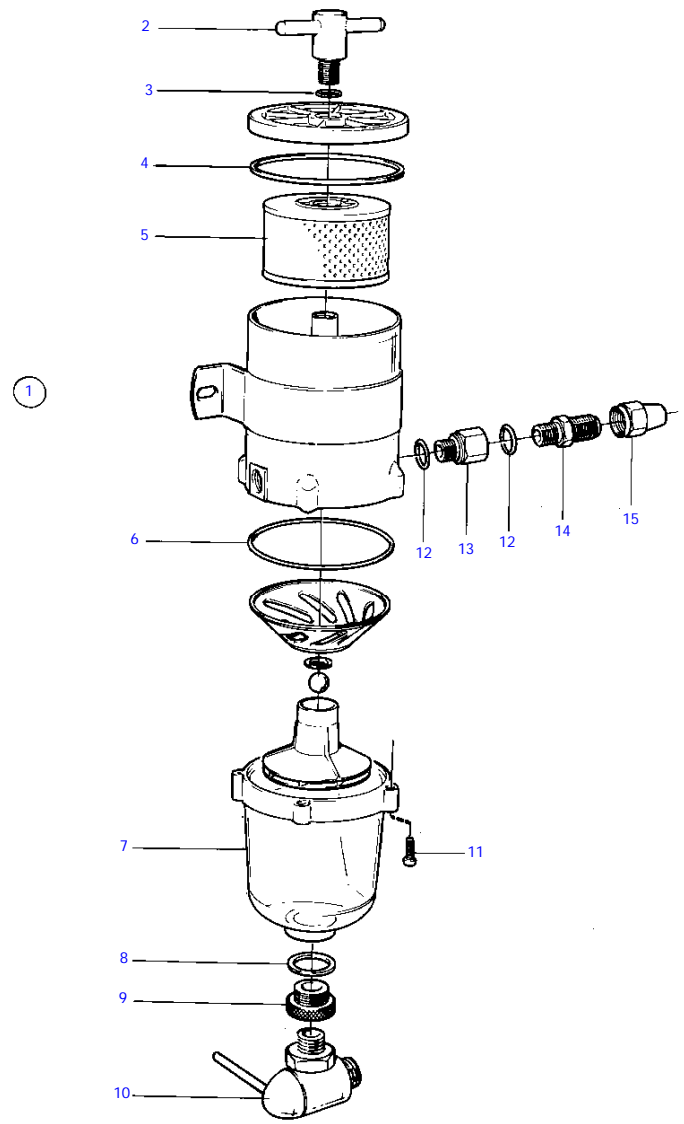


10673

MD31A, TMD31A, TMD31B, TAMD31A, TAMD31B, AQAD31A, AD31A, AD31B

REF	PART NO.	QTY	DESCRIPTION	SEE SEC.	NOTES
1	1140064	1	Fuel tank		40L, OBSOLETE PART
2	1140063	1	* Cardboard tube		
3	833799	1	* * Cardboard tube		
4	859064	1	* * Gasket		
5	828338	1	* * Flange		
6	956080	12	* * Cross recessed screw		FOR EXTERNAL MANUFACTURED FUEL TANK
7	834481	12	* * Gasket		
8	956076	10	* * Cross recessed screw		
9	941905	10	* * Spring washer		
10	833801	1	* * Cardboard tube		
11	89865	1	* * Gasket		
12	881493	1	* * Cable terminal		
13	828341	1	* Suction pipe		L = 242 MM
	828372	1	* Suction pipe		L = 333 MM
	828373	1	* Suction pipe		L = 458 MM
14	941279	1	* * Hose		
15	191830	1	* Plug		
16	957178	3	* Gasket		
17	833857	1	* Banjo nipple		
18	25167	1	* Hollow screw		
19	803684	1	* Shut-off cock		OBSOLETE PART
20	954322	1	* * Fitting nut		
21	828375	1	Connector kit		5/16", OBSOLETE PART
22	833857	1	* Banjo nipple		
23	803684	1	* Shut-off cock		5/16", OBSOLETE PART
24	25167	1	* Hollow screw		
25	191830	1	* Plug		
26	957178	3	* Gasket		
27	89865	1	* Gasket		
28	956076	10	* Cross recessed screw		
29	941905	10	* Spring washer		
30	828376	1	Connector kit		3/8", OBSOLETE PART
31	191600	1	* Banjo nipple		
32	954323	1	* Fitting nut		
33	25167	1	* Hollow screw		
34	957178	3	* Gasket		
35	191830	1	* Plug		
36	89865	1	* Gasket		
37	956076	10	* Cross recessed screw		
38	941905	10	* Spring washer		
39	841523	1	* Faucet		3/8"
40	954323	2	* Fitting nut		
41	807060	1	Banjo nipple		5/16"
42	957178	2	Gasket		
43	807061	1	Cap nut		
44	25167	1	Hollow screw		
45	954305	X	Tube		5/16"
			Bulletin P-23-4-3	P-23-4-3-EN	Fuel Line 5/16", Copper Pipe
45	954307	X	Tube		3/8"
46	951189	X	Clamp		
47	955139	X	Cross recessed screw		
48	1144037	1	Tank valve		OBSOLETE PART
49		1	TANK METER	19380	

MD31A, TMD31A, TMD31B, TAMD31A, TAMD31B, AQAD31A, AD31A, AD31B



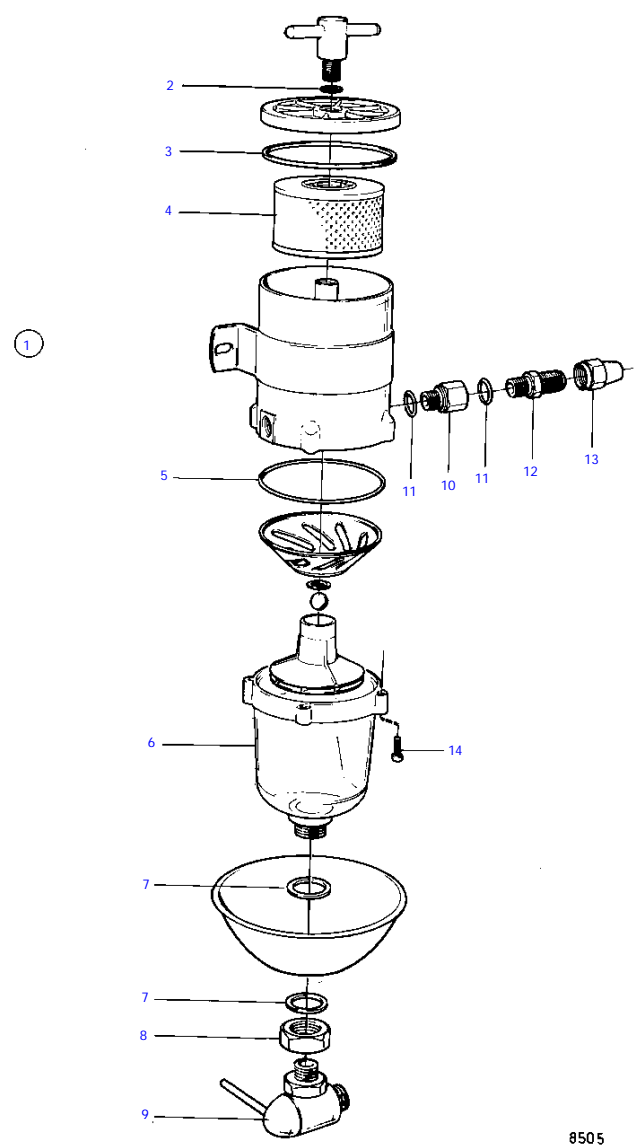
8461



MD31A, TMD31A, TMD31B, TAMD31A, TAMD31B, AQAD31A, AD31A, AD31B

REF	PART NO.	QTY	DESCRIPTION	SEE SEC.	NOTES
1	828958	1	Fuel strainer		
			Bulletin 50-01	50-01-EN	Extra Fuel Filter
2		1	* SCREW		
3	1140250	1	* Gasket		
4	1140252	1	* Gasket		
5	828897	1	* Filter insert		
6	1140251	1	* Gasket		
7		1	* LOWER PART		
8		1	* SEAL RING		
9		1	* NUT		
10		1	* DRAIN COCK		
11		4	* SCREW		
12	858601	4	* O-ring		
13	828937	2	* Nipple		
14	828942	2	* Nipple		
15	954323	2	* Fitting nut		

MD31A, TMD31A, TMD31B, TAMD31A, TAMD31B, AQAD31A, AD31A, AD31B



8505

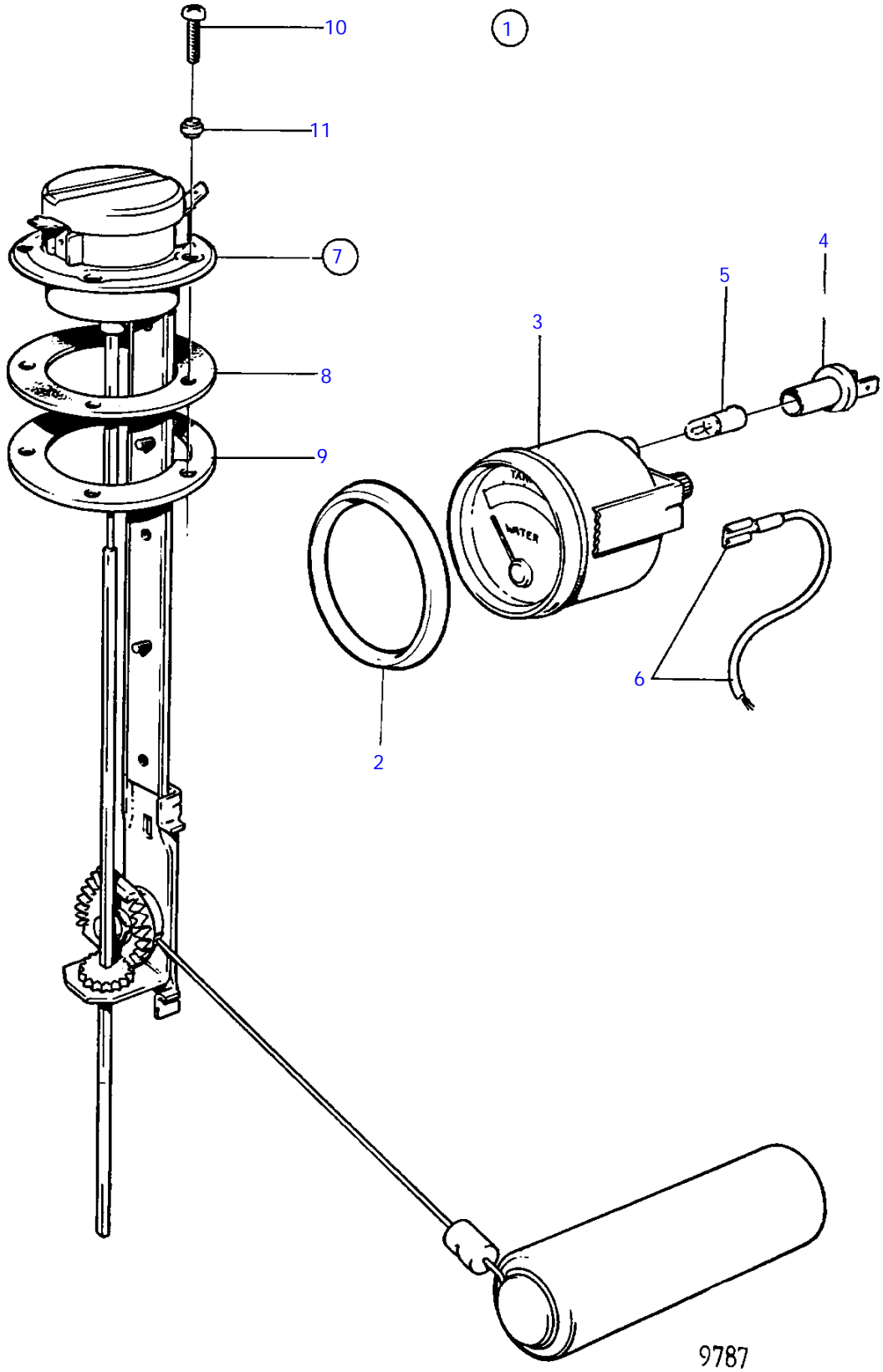


MD31A, TMD31A, TMD31B, TAMD31A, TAMD31B, AQAD31A, AD31A, AD31B

REF	PART NO.	QTY	DESCRIPTION	SEE SEC.	NOTES
1	1140038	1	Fuel strainer		RINA APPROVED.
			Bulletin 50-01	50-01-EN	Extra Fuel Filter
2		1	* O-RING		
3		1	* Gasket		
4	828897	1	* Filter insert		
5		1	* Gasket		
6		1	* SHELL		
7		1	* Gasket		
8		1	* NUT		
9		1	* DRAIN COCK		
10	828937	2	* Nipple		
11	858601	4	* O-ring		
12	828942	2	* Nipple		
13	954323	2	* Fitting nut		
14		4	* SCREW		



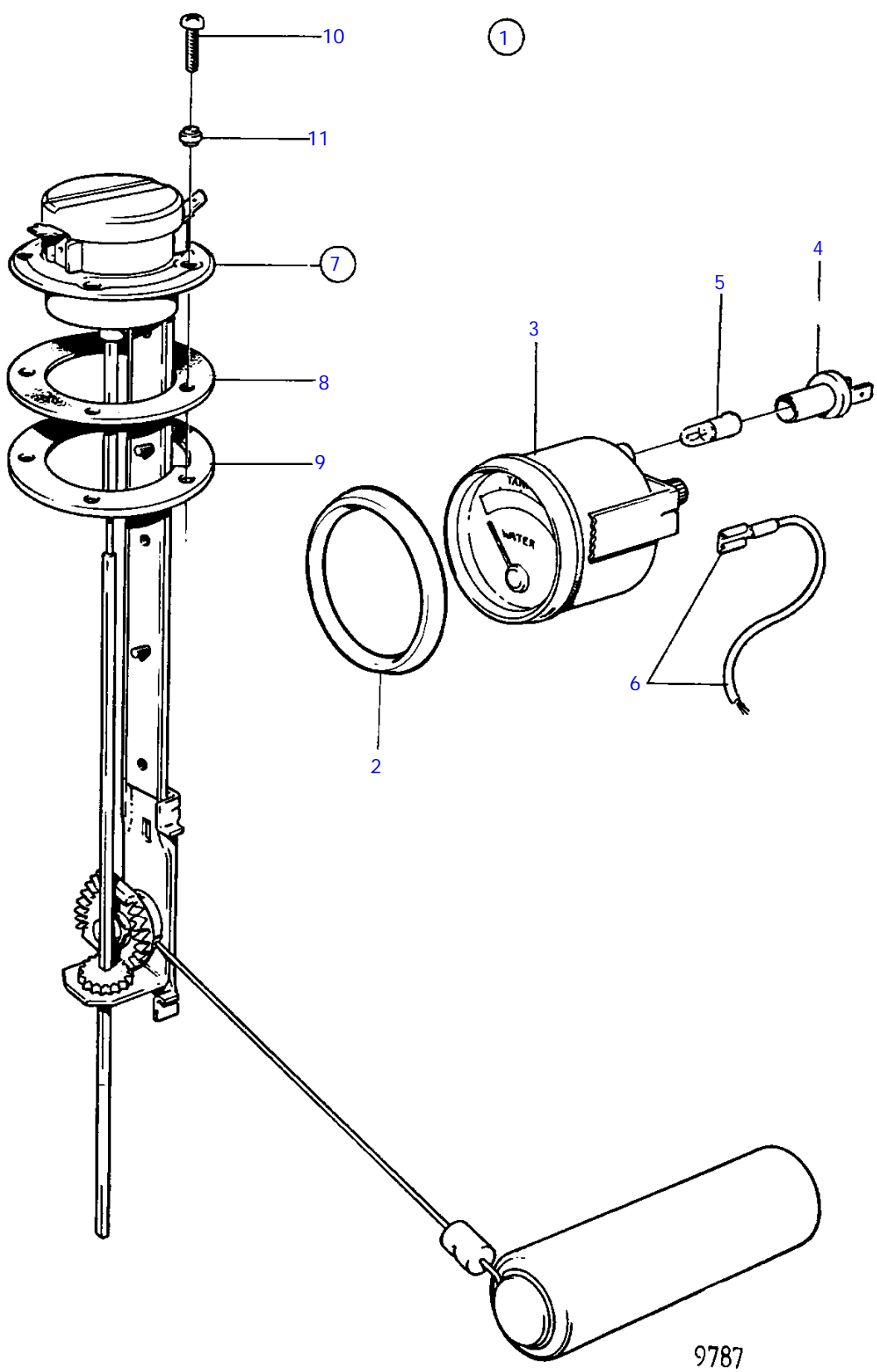
MD31A, TMD31A, TMD31B, TAM31A, TAM31B, AQAD31A, AD31A, AD31B



MD31A, TMD31A, TMD31B, TAMD31A, TAMD31B, AQAD31A, AD31A, AD31B

REF	PART NO.	QTY	DESCRIPTION	NOTES
1	828714	1	Fuel gauge kit, FUEL GAUGE KIT	GOLD COLOURED DECOR STRIPE., 12V REPL BY 858879 REPL BY 858881
2	858643	1	* Front ring	
3	863940	1	* Fuel gauge	(828632)
4	863945	1	* * Lamp socket	FOR INSTRUMENTS WITH PARTNO 828632,828635 SHOULD WHITE BULB 19923 AND BULB HOLDER 808175 BE INSTALLED.
5	863946	1	* * Bulb	FOR INSTRUMENTS WITH PARTNO 828632,828635 SHOULD WHITE BULB 19923 AND BULB HOLDER 808175 BE INSTALLED., RED
6		X	* CABLES AND TERMINALS	SEE GROUP 3
7	837999	1	* Sensor	
8	89865	1	* * Gasket	
9	834480	1	* * Flange	
10	956078	4	* * Cross recessed screw	L = 16 MM
	956081	1	* * Cross recessed screw	L = 25 MM
11	834481	5	* * Gasket	

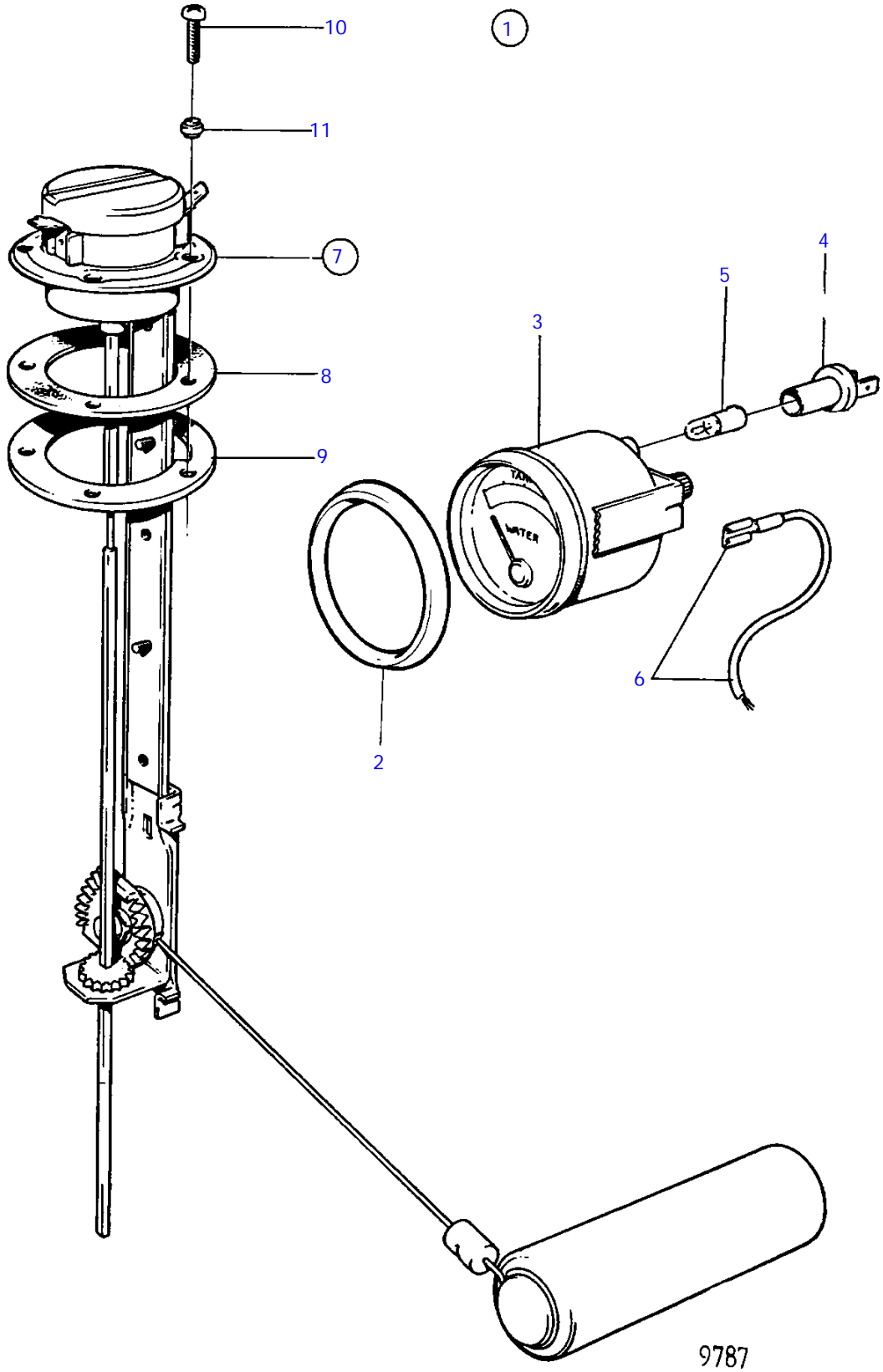
MD31A, TMD31A, TMD31B, TAM31A, TAM31B, AQAD31A, AD31A, AD31B



MD31A, TMD31A, TMD31B, TAMD31A, TAMD31B, AQAD31A, AD31A, AD31B

REF	PART NO.	QTY	DESCRIPTION	NOTES
1		1		24V
2	858643	1	* Front ring	
3	863941	1	* Fuel gauge	(828633)
4	863945	1	* • Lamp socket	FOR INSTRUMENTS WITH PARTNO 828633,828636 SHOULD WHITE BULB 182059 AND BULB HOLDER 808175 BE INSTALLED.
5	863947	1	* • Bulb	FOR INSTRUMENTS WITH PARTNO 828633,828636 SHOULD WHITE BULB 182059 AND BULB HOLDER 808175 BE INSTALLED., RED
6		X	* CABLES AND TERMINALS	SEE GROUP 3
7	837999	1	* Sensor	
8	89865	1	* • Gasket	
9	834480	1	* • Flange	
10	956078	4	* • Cross recessed screw	L = 16 MM
	956081	1	* • Cross recessed screw	L = 25 MM
11	834481	5	* • Gasket	

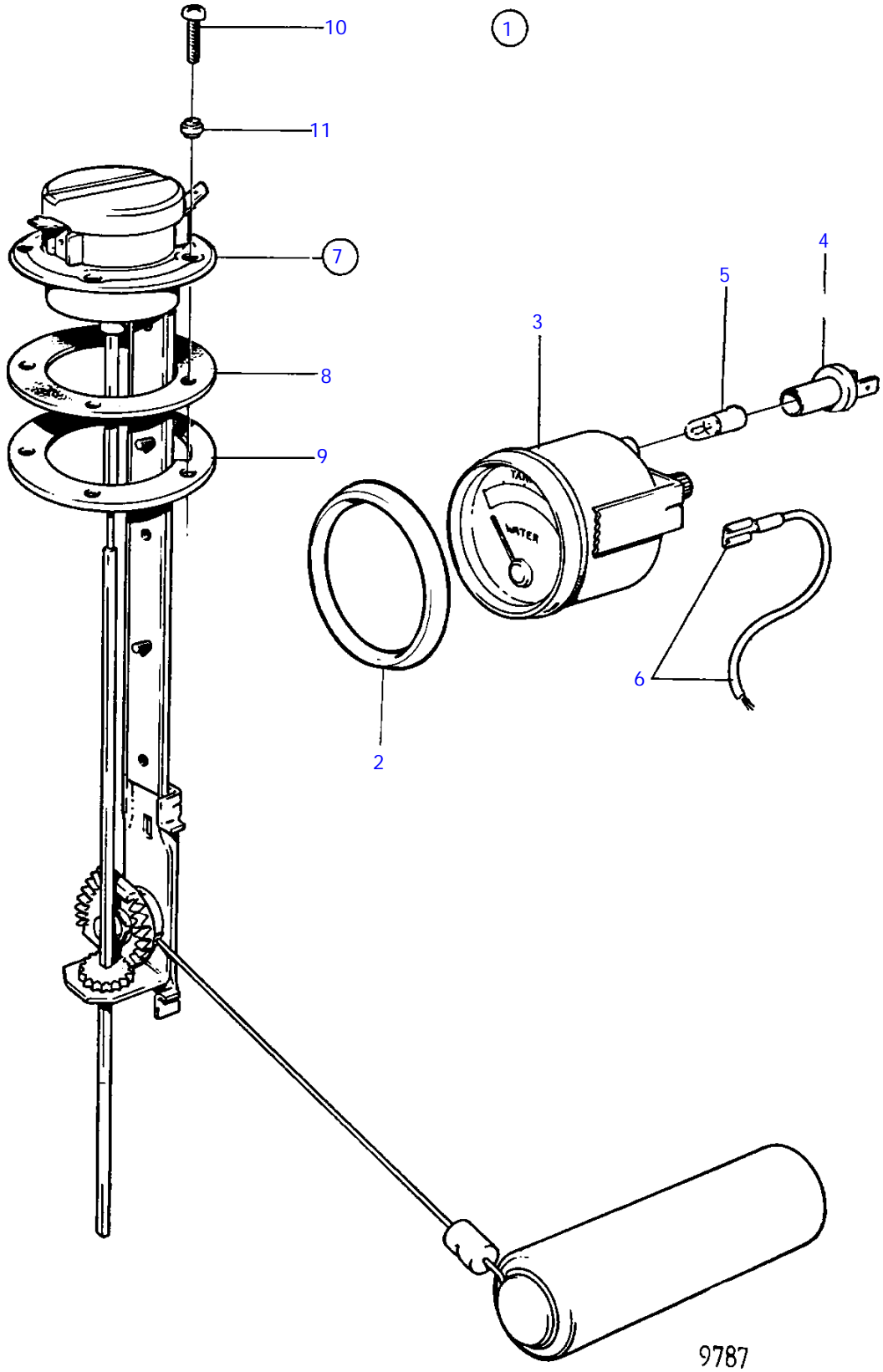
MD31A, TMD31A, TMD31B, TAM31A, TAM31B, AQAD31A, AD31A, AD31B



MD31A, TMD31A, TMD31B, TAMD31A, TAMD31B, AQAD31A, AD31A, AD31B

REF	PART NO.	QTY	DESCRIPTION	NOTES
1	828716	1	Water level gauge, WATER GAUGE	GOLD COLOURED DECOR STRIPE., 12V
2	858643	1	* Front ring	
3	863942	1	* Water level gauge	(828635)
4	863945	1	* * Lamp socket	FOR INSTRUMENTS WITH PARTNO 828632,828635 SHOULD WHITE BULB 19923 AND BULB HOLDER 808175 BE INSTALLED.
5	863946	1	* * Bulb	FOR INSTRUMENTS WITH PARTNO 828632,828635 SHOULD WHITE BULB 19923 AND BULB HOLDER 808175 BE INSTALLED., RED
6		X	* CABLES AND TERMINALS	SEE GROUP 3
7	834389	1	* Sensor	
8	89865	1	* * Gasket	
9	834480	1	* * Flange	
10	956078	4	* * Cross recessed screw	L = 16 MM
	956081	1	* * Cross recessed screw	L = 25 MM
11	834481	5	* * Gasket	

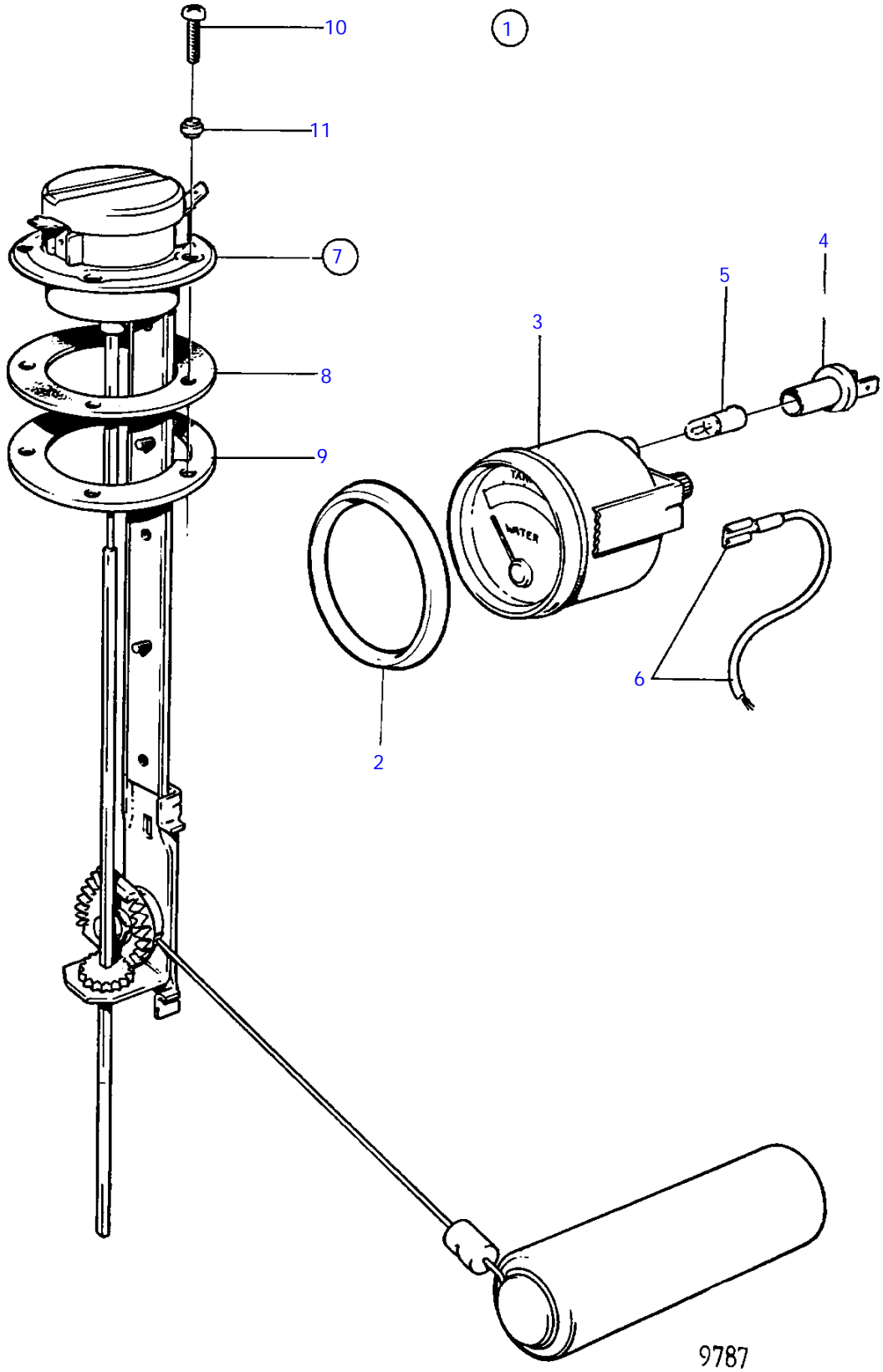
MD31A, TMD31A, TMD31B, TAM31A, TAM31B, AQAD31A, AD31A, AD31B



MD31A, TMD31A, TMD31B, TAMD31A, TAMD31B, AQAD31A, AD31A, AD31B

REF	PART NO.	QTY	DESCRIPTION	NOTES
1		1		24V
2	858643	1	* Front ring	
3	863943	1	* Level gauge	(828636)
4	863945	1	* * Lamp socket	FOR INSTRUMENTS WITH PARTNO 828633,828636 SHOULD WHITE BULB 182059 AND BULB HOLDER 808175 BE INSTALLED.
5	863947	1	* * Bulb	FOR INSTRUMENTS WITH PARTNO 828633,828636 SHOULD WHITE BULB 182059 AND BULB HOLDER 808175 BE INSTALLED., RED
6		X	* CABLES AND TERMINALS	SEE GROUP 3
7	834389	1	* Sensor	
8	89865	1	* * Gasket	
9	834480	1	* * Flange	
10	956078	4	* * Cross recessed screw	L = 16 MM
	956081	1	* * Cross recessed screw	L = 25 MM
11	834481	5	* * Gasket	

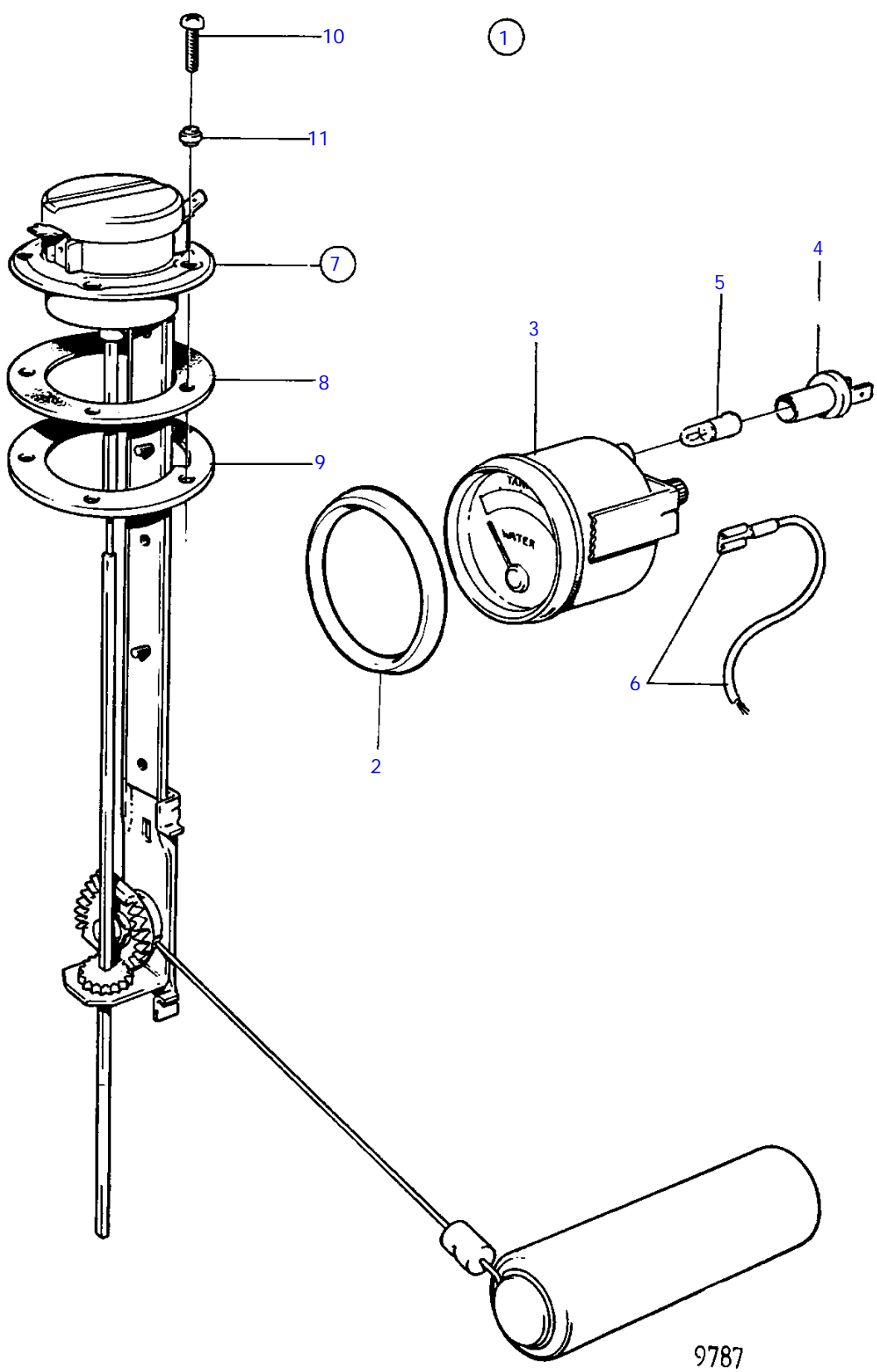
MD31A, TMD31A, TMD31B, TAM31A, TAM31B, AQAD31A, AD31A, AD31B



MD31A, TMD31A, TMD31B, TAMD31A, TAMD31B, AQAD31A, AD31A, AD31B

REF	PART NO.	QTY	DESCRIPTION	NOTES
1	858879	1	Tank gauge kit	WHITE COLOURED DECOR STRIPE., 12V
2	858643	1	* Front ring	
3	863940	1	* Fuel gauge	(828632)
4	863945	1	* * Lamp socket	FOR INSTRUMENTS WITH PARTNO 828632,828635 SHOULD WHITE BULB 19923 AND BULB HOLDER 808175 BE INSTALLED.
5	863946	1	* * Bulb	FOR INSTRUMENTS WITH PARTNO 828632,828635 SHOULD WHITE BULB 19923 AND BULB HOLDER 808175 BE INSTALLED., RED
6		X	* CABLES AND TERMINALS	SEE GROUP 3
7	837999	1	* Sensor	
8	89865	1	* * Gasket	
9	834480	1	* * Flange	
10	956078	4	* * Cross recessed screw	L = 16 MM
	956081	1	* * Cross recessed screw	L = 25 MM
11	834481	5	* * Gasket	

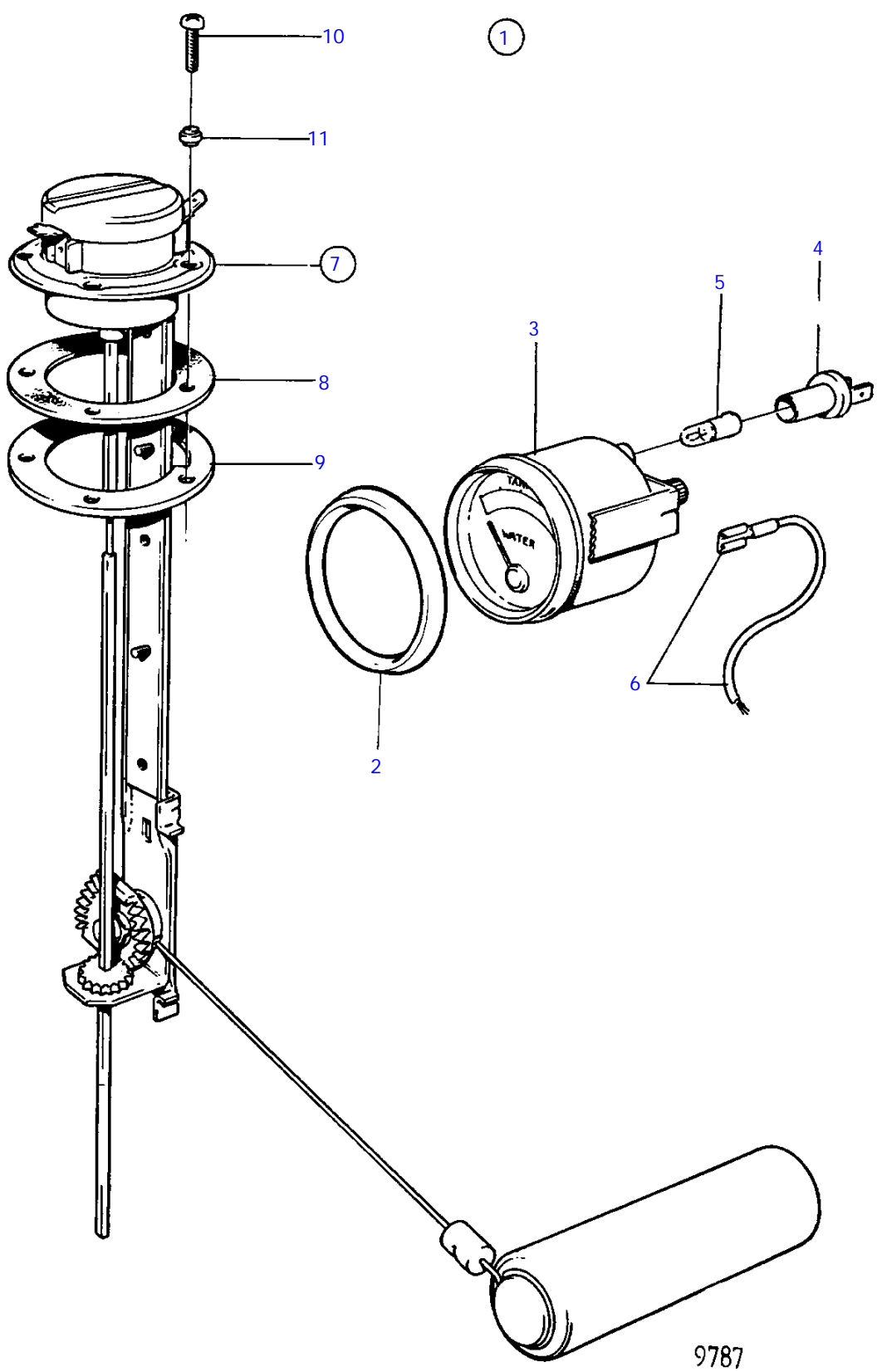
MD31A, TMD31A, TMD31B, TAM31A, TAM31B, AQAD31A, AD31A, AD31B



MD31A, TMD31A, TMD31B, TAMD31A, TAMD31B, AQAD31A, AD31A, AD31B

REF	PART NO.	QTY	DESCRIPTION	NOTES
1	858881	1	Tank gauge kit	WHITE COLOURED DECOR STRIPE., 12V
2	858643	1	* Front ring	
3	863942	1	* Water level gauge	(828635)
4	863945	1	* * Lamp socket	FOR INSTRUMENTS WITH PARTNO 828632,828635 SHOULD WHITE BULB 19923 AND BULB HOLDER 808175 BE INSTALLED.
5	863946	1	* * Bulb	FOR INSTRUMENTS WITH PARTNO 828632,828635 SHOULD WHITE BULB 19923 AND BULB HOLDER 808175 BE INSTALLED., RED
6		X	* CABLES AND TERMINALS	SEE GROUP 3
7	834389	1	* Sensor	
8	89865	1	* * Gasket	
9	834480	1	* * Flange	
10	956078	4	* * Cross recessed screw	L = 16 MM
	956081	1	* * Cross recessed screw	L = 25 MM
11	834481	5	* * Gasket	

MD31A, TMD31A, TMD31B, TAM31A, TAM31B, AQAD31A, AD31A, AD31B

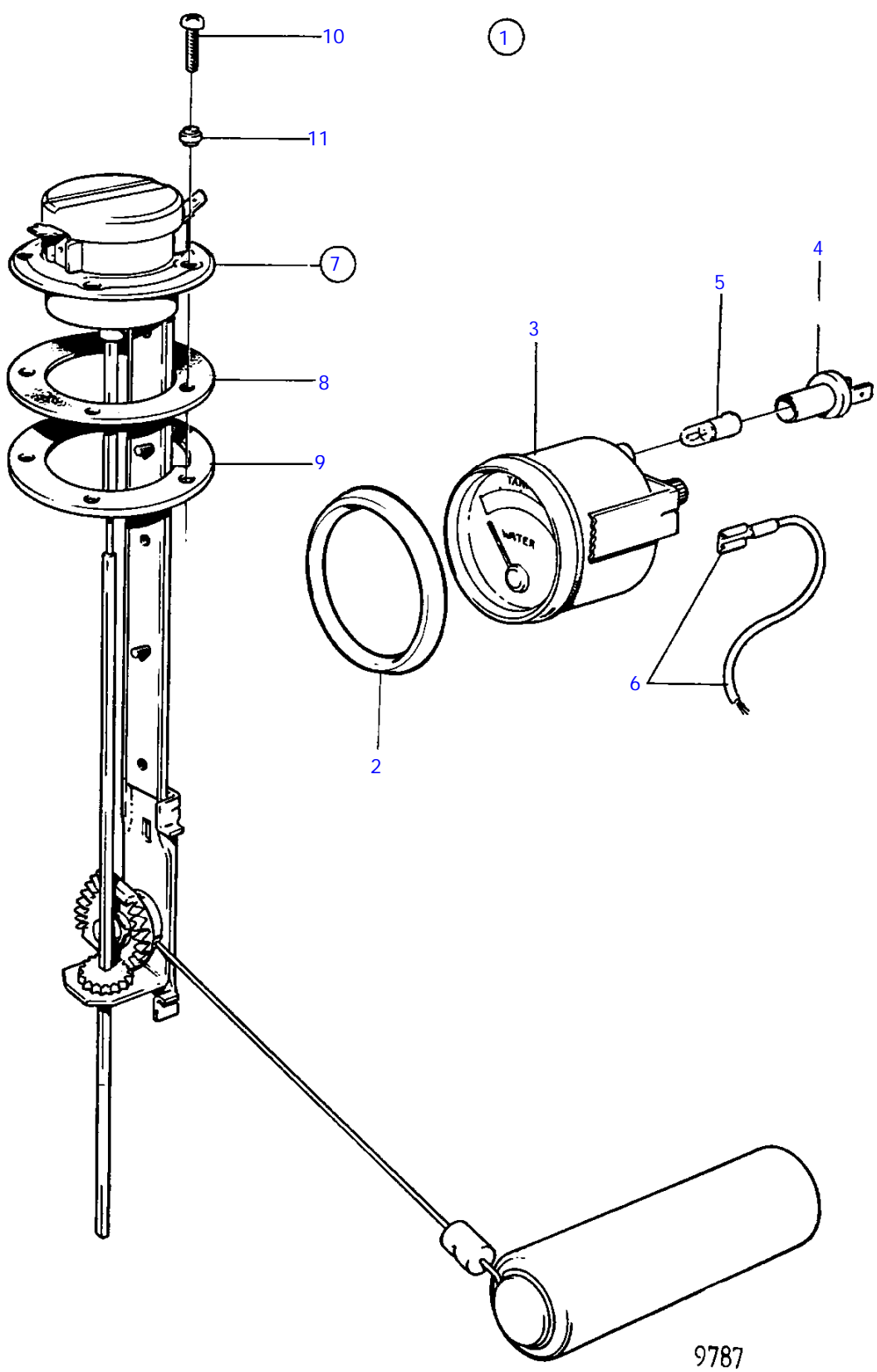


MD31A, TMD31A, TMD31B, TAMD31A, TAMD31B, AQAD31A, AD31A, AD31B

REF	PART NO.	QTY	DESCRIPTION	NOTES
1		1		24V,FUEL
2	858643	1	* Front ring	
3	863941	1	* Fuel gauge	(828633)
4	863945	1	* • Lamp socket	FOR INSTRUMENTS WITH PARTNO 828633,828636 SHOULD WHITE BULB 182059 AND BULB HOLDER 808175 BE INSTALLED.
5	863947	1	* • Bulb	FOR INSTRUMENTS WITH PARTNO 828633,828636 SHOULD WHITE BULB 182059 AND BULB HOLDER 808175 BE INSTALLED., RED
6		X	* CABLES AND TERMINALS	SEE GROUP 3
7	837999	1	* Sensor	
8	89865	1	* • Gasket	
9	834480	1	* • Flange	
10	956078	4	* • Cross recessed screw	L = 16 MM
	956081	1	* • Cross recessed screw	L = 25 MM
11	834481	5	* • Gasket	



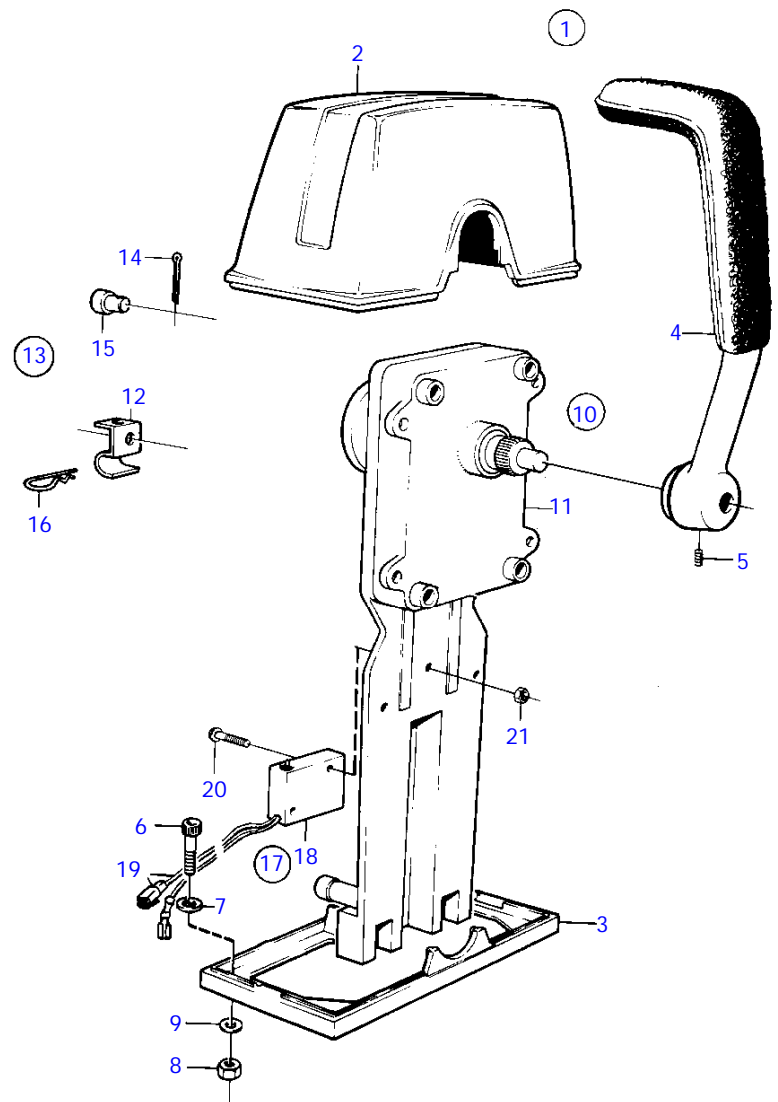
MD31A, TMD31A, TMD31B, TAM31A, TAM31B, AQAD31A, AD31A, AD31B



MD31A, TMD31A, TMD31B, TAMD31A, TAMD31B, AQAD31A, AD31A, AD31B

REF	PART NO.	QTY	DESCRIPTION	NOTES
1		1		24V,WATER
2	858643	1	* Front ring	
3	863943	1	* Level gauge	(828636)
4	863945	1	* * Lamp socket	FOR INSTRUMENTS WITH PARTNO 828633,828636 SHOULD WHITE BULB 182059 AND BULB HOLDER 808175 BE INSTALLED.
5	863947	1	* * Bulb	FOR INSTRUMENTS WITH PARTNO 828633,828636 SHOULD WHITE BULB 182059 AND BULB HOLDER 808175 BE INSTALLED., RED
6		X	* CABLES AND TERMINALS	SEE GROUP 3
7	834389	1	* Sensor	
8	89865	1	* * Gasket	
9	834480	1	* * Flange	
10	956078	4	* * Cross recessed screw	L = 16 MM
	956081	1	* * Cross recessed screw	L = 25 MM
11	834481	5	* * Gasket	

MD31A, TMD31A, TMD31B, TAMD31A, TAMD31B, AQAD31A, AD31A, AD31B



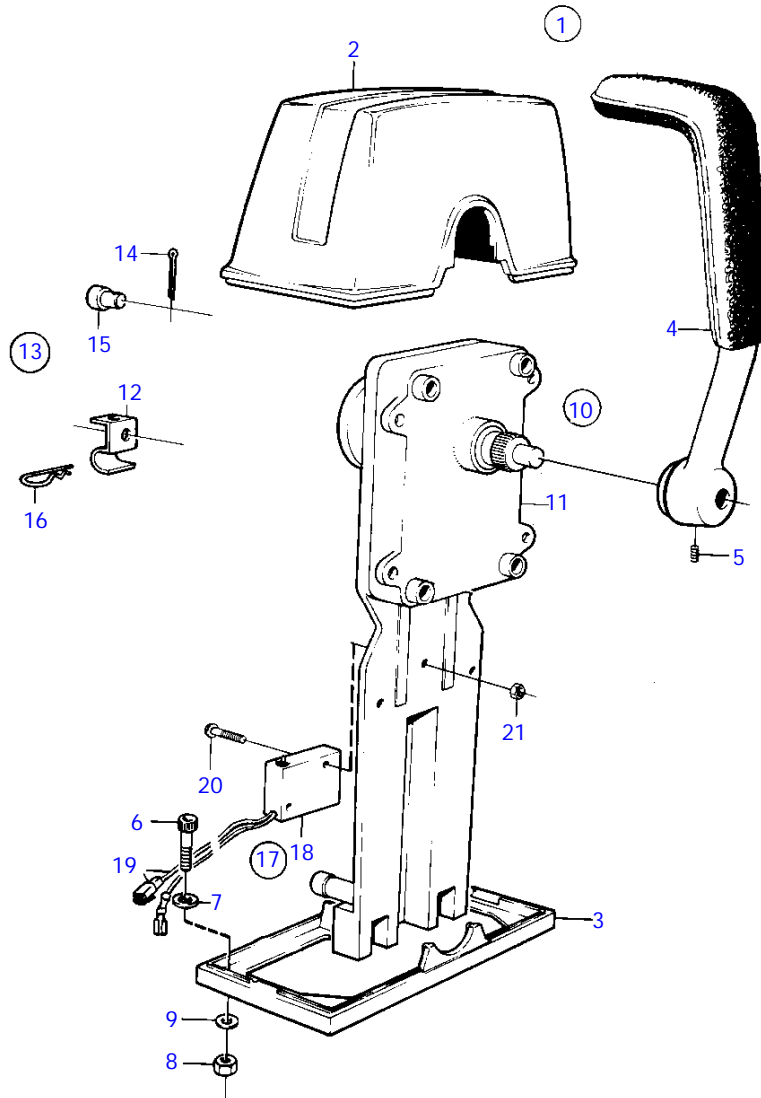
9266



MD31A, TMD31A, TMD31B, TAMD31A, TAMD31B, AQAD31A, AD31A, AD31B

REF	PART NO.	QTY	DESCRIPTION	NOTES
1	851602	1	Mounting kit	FOR SINGLE INSTALLATION.
2	839472	1	* Cover	
3	839474	1	* Plate	
4	839475	1	* Hand lever	
5	839693	1	* Lock screw	
6	947671	4	* Hex. socket screw	
7	940090	2	* Washer	
8	955780	4	* Hexagon nut	
9	960138	4	* Washer	
10	851600	1	Control	
11	851666	1	* Control mechanism	OBSOLETE PART
12	853423	1	* Retainer	
13	851712	1	* Connector kit	OBSOLETE PART
14	17253	2	* * Split pin	
15	839638	2	* * Cube	
16	852924	1	* * Clip	
17	855352	1	Neutral position con	
18	850200	1	* Toggle switch	
19		X	* * CABLES AND TERMINALS	SEE GROUP 3
20	946177	2	* Cross recessed screw	
21	947536	2	* Hexagon nut	

MD31A, TMD31A, TMD31B, TAMD31A, TAMD31B, AQAD31A, AD31A, AD31B

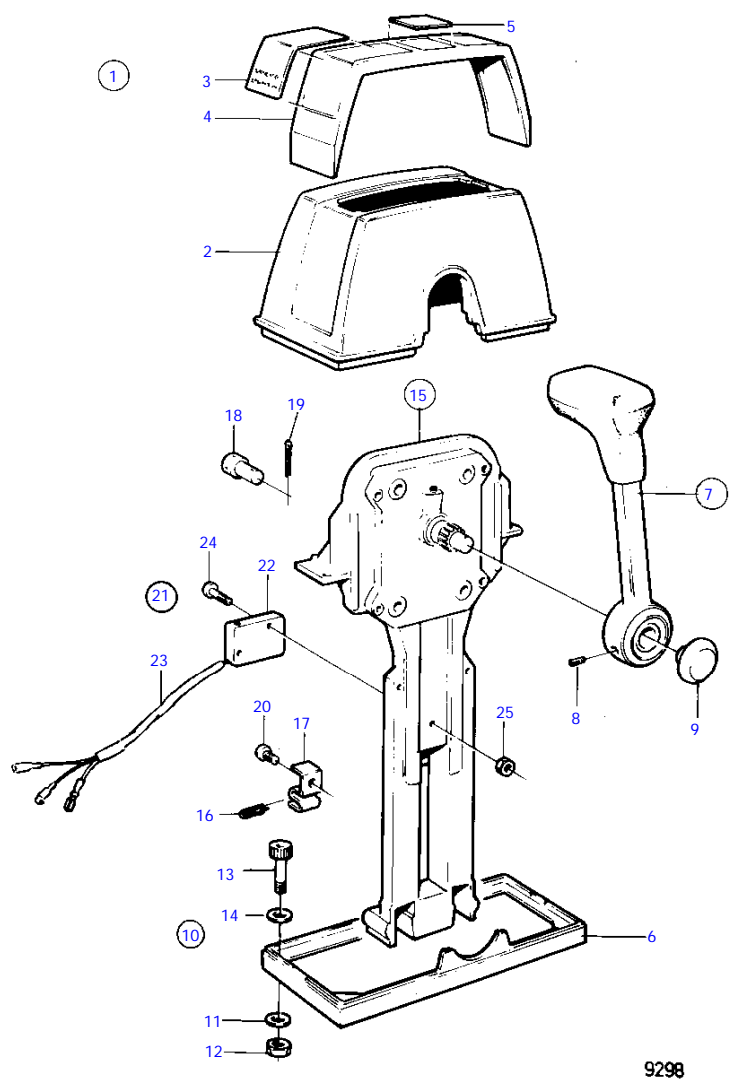


9266

MD31A, TMD31A, TMD31B, TAMD31A, TAMD31B, AQAD31A, AD31A, AD31B

REF	PART NO.	QTY	DESCRIPTION	NOTES
1	851603	1	Mounting kit	FOR TWIN INSTALLATION
2	839477	1	* Cover	
3	839479	1	* Plate	
4	839475	2	* Hand lever	
5	839693	2	* Lock screw	
6	947671	6	* Hex. socket screw	
7	940090	2	* Washer	
8	955780	6	* Hexagon nut	
9	960138	6	* Washer	
10	851600	1	Control	
11	851666	1	* Control mechanism	OBSOLETE PART
12	853423	1	* Retainer	
13	851712	1	* Connector kit	OBSOLETE PART
14	17253	2	* * Split pin	
15	839638	2	* * Cube	
16	852924	1	* * Clip	
17	855352	2	Neutral position con	
18	850200	2	* Toggle switch	
19		X	* * CABLES AND TERMINALS	SEE GROUP 3
20	946177	4	* Cross recessed screw	
21	947536	4	* Hexagon nut	

MD31A, TMD31A, TMD31B, TAMD31A, TAMD31B, AQAD31A, AD31A, AD31B



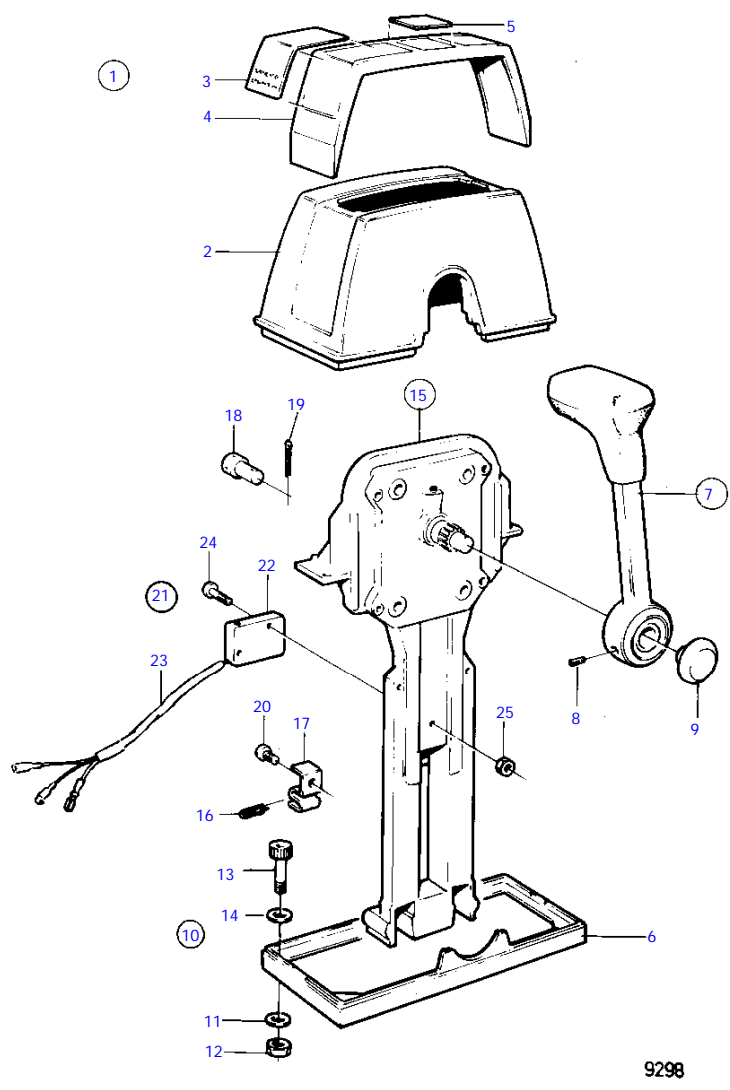
9298



MD31A, TMD31A, TMD31B, TAMD31A, TAMD31B, AQAD31A, AD31A, AD31B

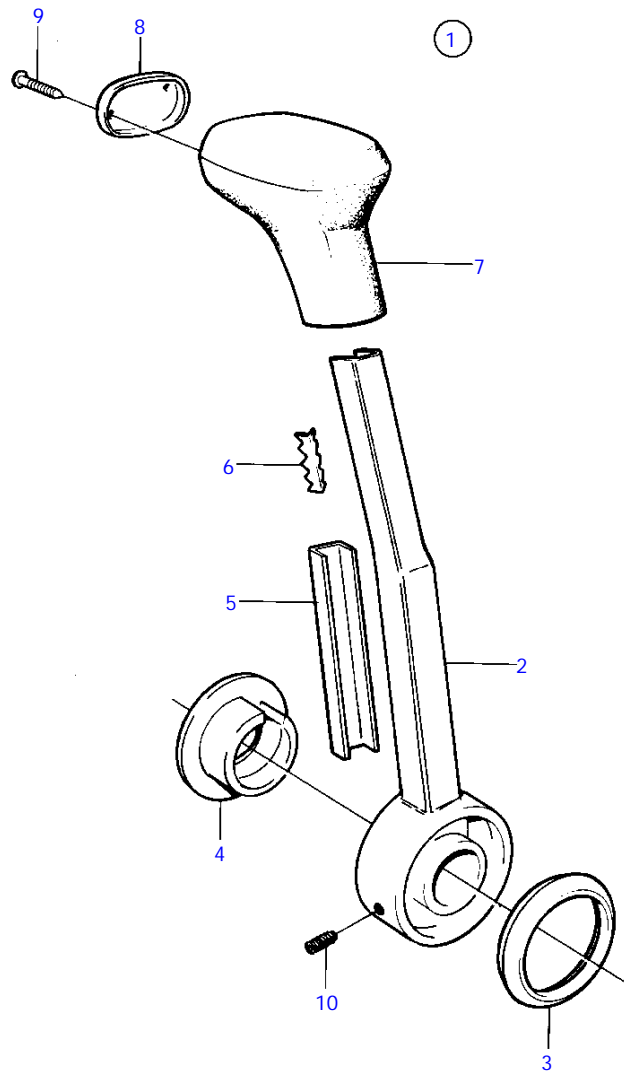
REF	PART NO.	QTY	DESCRIPTION	SEE SEC.	NOTES
1	853168	1	Mounting kit		
2	1140046	1	* Cover		
3	851896	2	* Decal		
4	851892	1	* Crossbar		OBSOLETE PART
5	851898	1	* Decal		OBSOLETE PART
6	839474	1	* Plate		
7	852347	1	* Hand lever		
			* *	19387	
8	963678	1	* * Hex. socket screw		INCLUDED IN 852347.
9	853004	1	* Push button		
10		1	* Screw kit		
11	960138	4	* * Washer		
12	955780	4	* * Hexagon nut		
13	947671	4	* * Hex. socket screw		
14	940090	4	* * Washer		
15	851600	1	Control		
16	852924	1	* Clip		
17	853423	1	* Retainer		
18	839638	2	* Cube		
19	17253	2	* Split pin		
20	839664	1	* Screw		
21	855352	1	Neutral position con		
22	850200	1	* Toggle switch		
23		X	* CABLES AND TERMINALS		SEE GROUP 3
24	946177	2	* Cross recessed screw		
25	947536	2	* Hexagon nut		

MD31A, TMD31A, TMD31B, TAMD31A, TAMD31B, AQAD31A, AD31A, AD31B



MD31A, TMD31A, TMD31B, TAMD31A, TAMD31B, AQAD31A, AD31A, AD31B

REF	PART NO.	QTY	DESCRIPTION	SEE SEC.	NOTES
1	853169	1	Mounting kit		
2	851885	1	* Cover		OBSOLETE PART
3	851895	1	* Decal		
4		1	* Crossbar		
5	851897	1	* Decal		
6	839479	1	* Plate		
7	852347	2	* Hand lever		
			* *	19387	
8	963678	2	* * Hex. socket screw		INCLUDED IN 852347.
9	853004	2	* Push button		
10		1	* Screw kit		
11	960138	6	* * Washer		
12	955780	6	* * Hexagon nut		
13	947671	6	* * Hex. socket screw		
14	940090	6	* * Washer		
15	851600	2	Control		
16	852924	2	* Clip		
17	853423	2	* Retainer		
18	839638	4	* Cube		
19	17253	4	* Split pin		
20	839664	2	* Screw		
21	855352	2	* Neutral position con		
22	850200	2	* Toggle switch		
23		X	* CABLES AND TERMINALS		SEE GROUP 3
24	946177	4	* Cross recessed screw		
25	947536	4	* Hexagon nut		



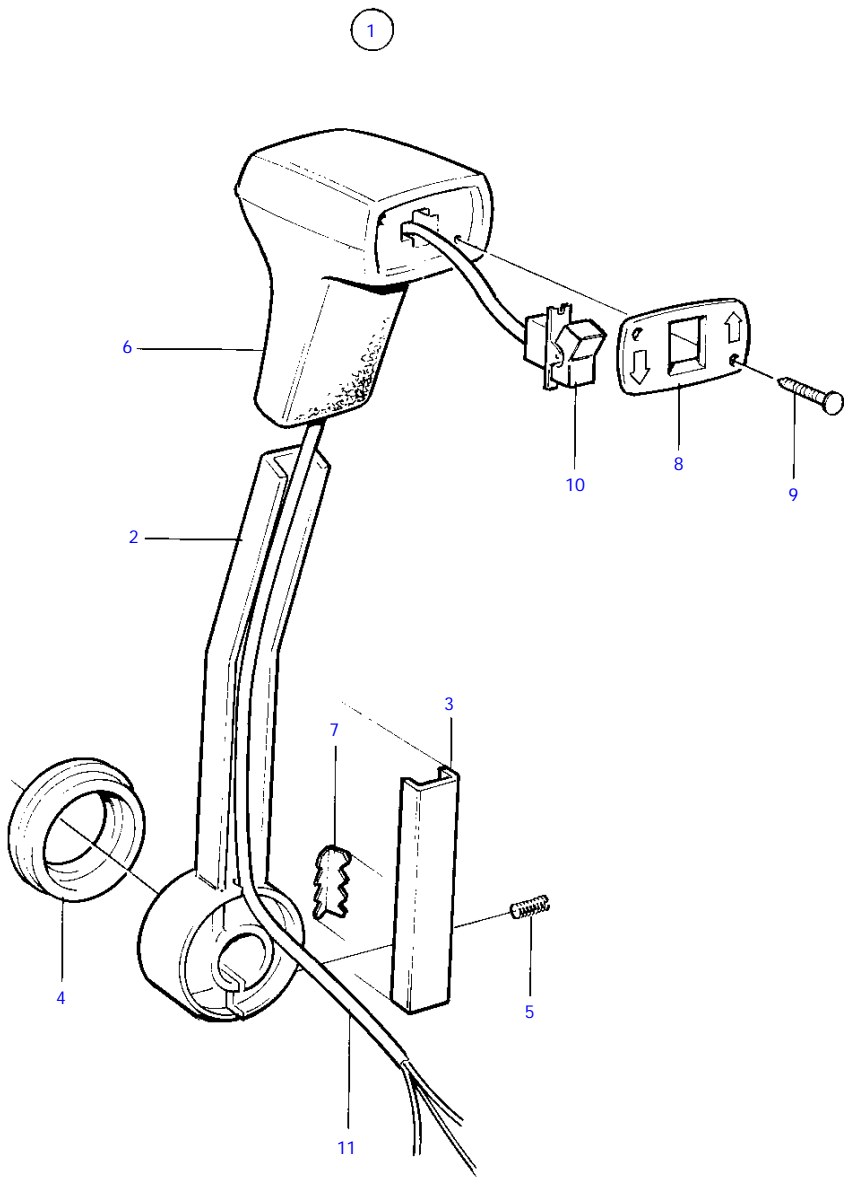
8689

--

REF	PART NO.	QTY	DESCRIPTION	NOTES
1	852347	1	Hand lever	
2	852988	1	* Lever	OBSOLETE PART
3	852995	1	* Ring	
4	852996	1	* Support ring	
5	852991	1	* Rail	
6	853000	1	* Striker plate	
7	852989	1	* Handle	
8	852992	1	* Cover	
9	853003	2	* Nail	
10	963678	1	* Hex. socket screw	

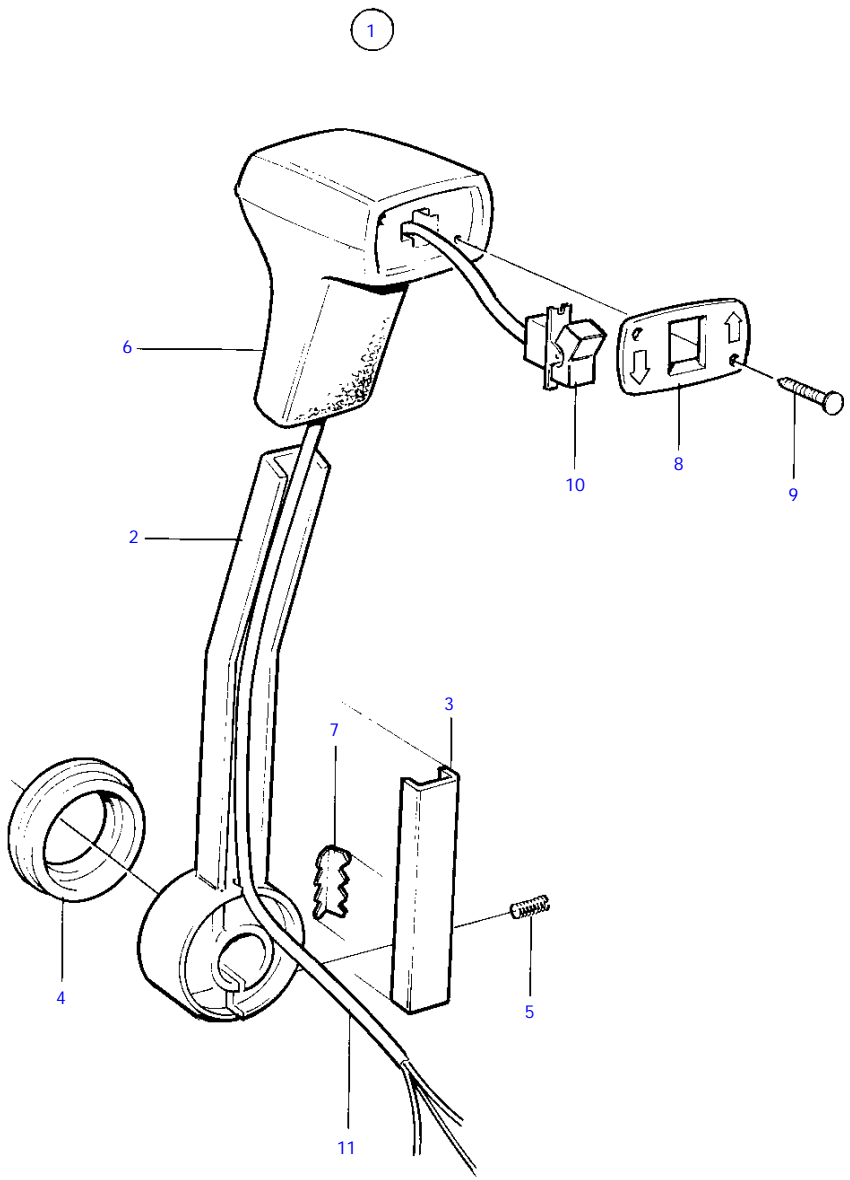
--	--	--	--	--





8848

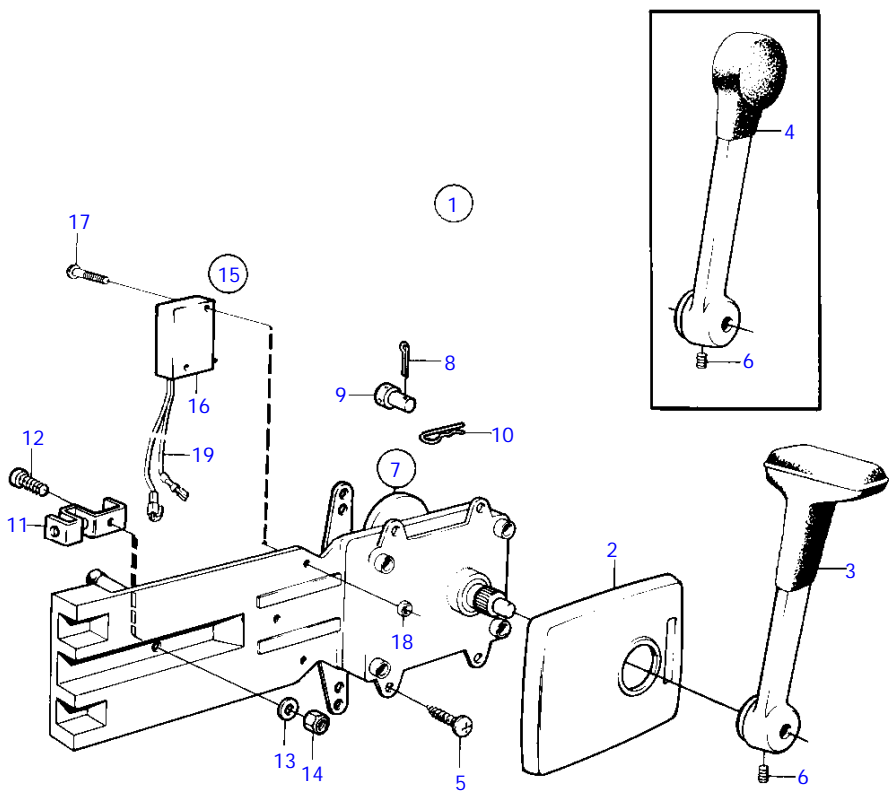
REF	PART NO.	QTY	DESCRIPTION
1	1140041	1	Hand lever
2		1	• HANDLE
3	852991	1	• Rail
4	852995	1	• Ring
5	963678	1	• Hex. socket screw
6		1	• HANDLE
7	853000	1	• Striker plate
8	852993	1	• Connector cap
9	853003	2	• Nail
10	853311	1	• Switch
11		1	• CABLE UNIT



8848

REF	PART NO.	QTY	DESCRIPTION
1	1140042	1	Hand lever
2		1	• HANDLE
3	852991	1	• Rail
4	852995	1	• Ring
5	963678	1	• Hex. socket screw
6		1	• HANDLE
7	853000	1	• Striker plate
8	852993	1	• Connector cap
9	853003	2	• Nail
10	853311	1	• Switch
11		1	• CABLE UNIT

MD31A, TMD31A, TMD31B, TAMD31A, TAMD31B, AQAD31A, AD31A, AD31B



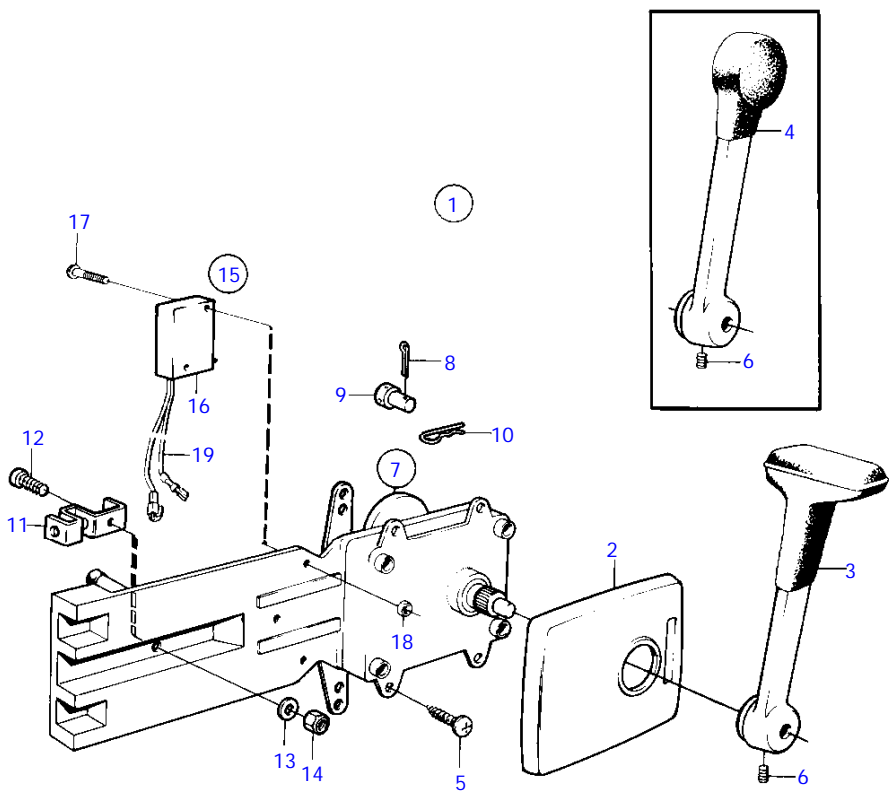
9584



MD31A, TMD31A, TMD31B, TAMD31A, TAMD31B, AQAD31A, AD31A, AD31B

REF	PART NO.	QTY	DESCRIPTION	NOTES
1	851604	1	Mounting kit	REPL BY 1140092
2	1140048	1	* Cover	
3	839520	1	* Hand lever	
5	955142	4	* Cross recessed screw	
6	839693	1	* Lock screw	
7	851601	1	Control	REPL BY 1140095
8	17253	2	* Split pin	
9	839638	2	* Cube	
10	852924	1	* Clip	
11	853423	1	* Retainer	
12	839664	1	* Screw	
13	940275	1	* Washer	
14	946435	1	* Lock nut	
15	855352	1	Neutral position con	
16	850200	1	* Toggle switch	
17	946177	2	* Cross recessed screw	
18	947536	2	* Hexagon nut	
19		X	* CABLES AND TERMINALS	SEE GROUP 3
		X	* ELECTRICAL MATERIALS	SEE GROUP 3

MD31A, TMD31A, TMD31B, TAMD31A, TAMD31B, AQAD31A, AD31A, AD31B

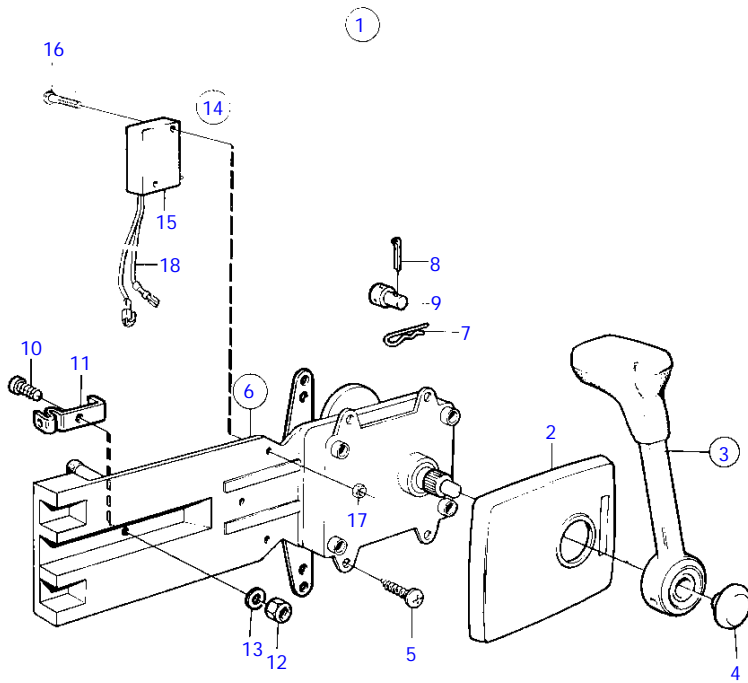


9584

MD31A, TMD31A, TMD31B, TAMD31A, TAMD31B, AQAD31A, AD31A, AD31B

REF	PART NO.	QTY	DESCRIPTION	NOTES
1	851605	1	Mounting kit	FOR SAIL BOAT., REPL BY 1140093
2	1140048	1	* Cover	
4	839521	1	* Hand lever	FOR SAIL BOAT.
5	955142	4	* Cross recessed screw	
6	839693	1	* Lock screw	
7	851601	1	Control	REPL BY 1140095
8	17253	2	* Split pin	
9	839638	2	* Cube	
10	852924	1	* Clip	
11	853423	1	* Retainer	
12	839664	1	* Screw	
13	940275	1	* Washer	
14	946435	1	* Lock nut	
15	855352	1	Neutral position con	
16	850200	1	* Toggle switch	
17	946177	2	* Cross recessed screw	
18	947536	2	* Hexagon nut	
19		X	* CABLES AND TERMINALS	SEE GROUP 3
		X	* ELECTRICAL MATERIALS	SEE GROUP 3

MD31A, TMD31A, TMD31B, TAMD31A, TAMD31B, AQAD31A, AD31A, AD31B

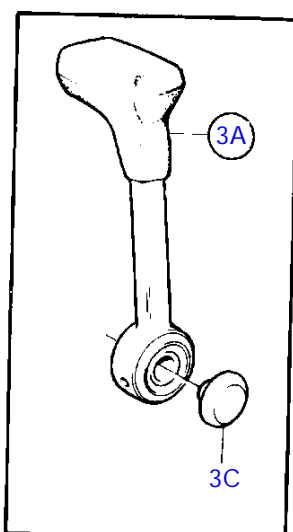
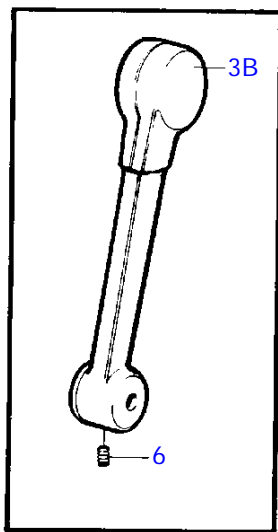
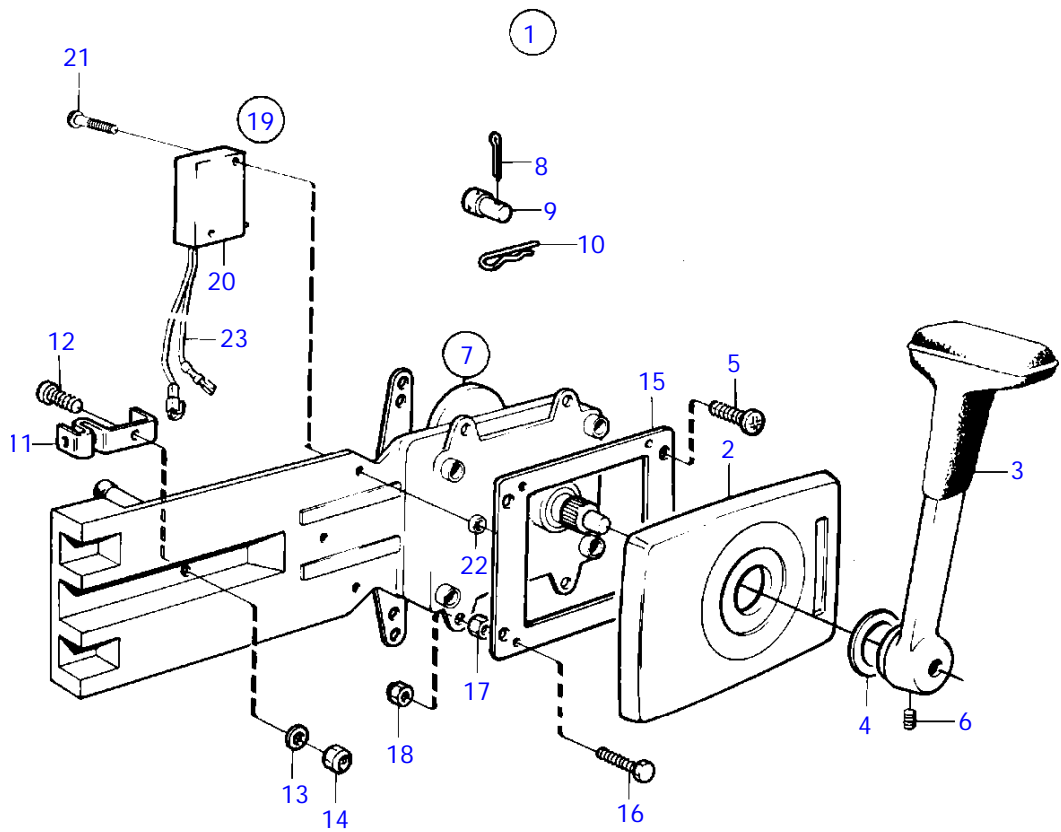


9606

MD31A, TMD31A, TMD31B, TAMD31A, TAMD31B, AQAD31A, AD31A, AD31B

REF	PART NO.	QTY	DESCRIPTION	SEE SEC.	NOTES
1	853102	1	Mounting kit, MOUNTING KIT COVER		
2	1140048	1	* Cover		
3	852347	1	* Hand lever		
			* *	19387	
4	853004	1	* Push button		
5	955142	4	* Cross recessed screw		
6	851601	1	Control, CONTROL CABLE CLIPS		
7	852924	1	* Clip		
8	17253	2	* Split pin		
9	839638	2	* Cube		
10	839664	1	* Screw		
11	853423	1	* Retainer		
12	946435	1	* Lock nut		
13	940275	1	* Washer		
14	855352	1	Neutral position con		
15	850200	1	* Toggle switch		
16	946177	2	* Cross recessed screw		
17	947536	2	* Hexagon nut		
18		X	* CABLES AND TERMINALS		SEE GROUP 3

MD31A, TMD31A, TMD31B, TAM31A, TAM31B, AQAD31A, AD31A, AD31B

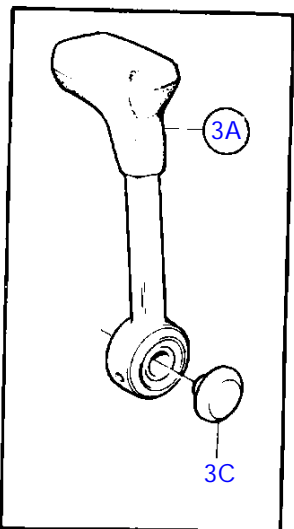
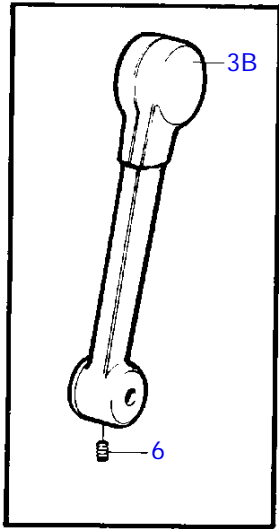
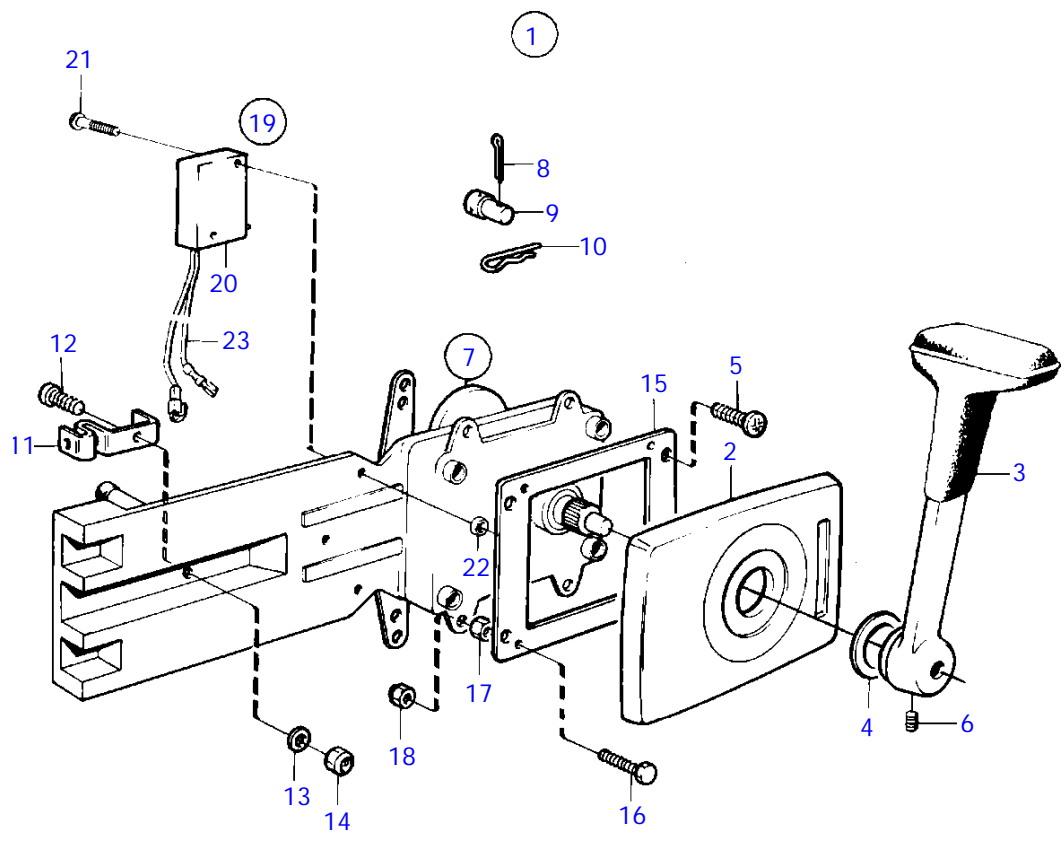


10315

MD31A, TMD31A, TMD31B, TAMD31A, TAMD31B, AQAD31A, AD31A, AD31B

REF	PART NO.	QTY	DESCRIPTION	SEE SEC.	NOTES
1	1140092	1	Mounting kit		PC741
2	853713	1	* Cover		
3	839520	1	* Hand lever		
			* *	19387	
4	1140094	1	* Washer		
5	961330	4	* Cross recessed screw		
6	839693	1	* Lock screw		
7	1140095	1	Control mechanism		
8	17253	2	* Split pin		
9	839638	2	* Cube		
10	852924	1	* Clip		
11	853423	1	* Retainer		
12	839664	1	* Screw		
13	940275	1	* Washer		
14	946435	1	* Lock nut		
15		1	* ATTACHING PLATE		NOT TO BE USED TOGETHER WITH INSTALLATION KIT 851605
16	963548	4	* Hexagon screw		
17		4	* NUT		
18	946435	4	* Lock nut		
19	855352	1	Neutral position con		
20	850200	1	* Toggle switch		
21	946177	2	* Cross recessed screw		
22	947536	2	* Hexagon nut		
23		X	* CABLES AND TERMINALS		SEE GROUP 3
		X	* ELECTRICAL MATERIALS		SEE GROUP 3

MD31A, TMD31A, TMD31B, TAM31A, TAM31B, AQAD31A, AD31A, AD31B



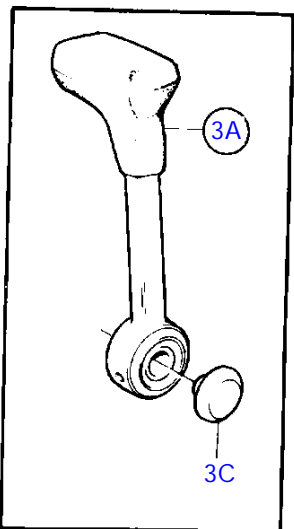
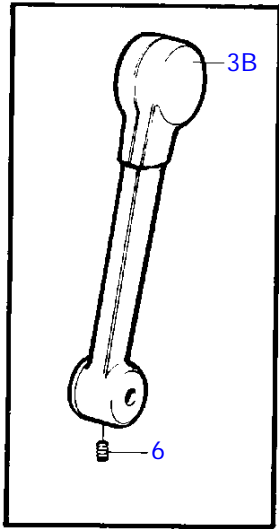
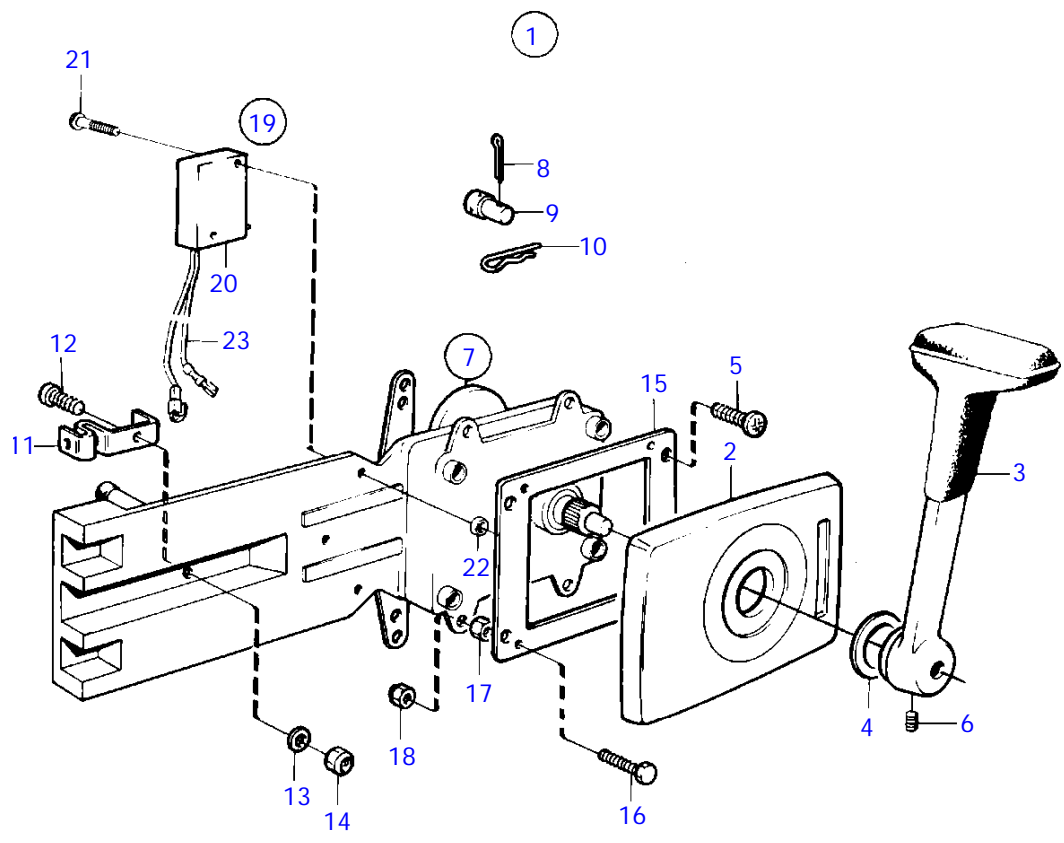
10315



MD31A, TMD31A, TMD31B, TAMD31A, TAMD31B, AQAD31A, AD31A, AD31B

REF	PART NO.	QTY	DESCRIPTION	NOTES
1	1140090	1	Mounting kit	PC841
2	853713	1	* Cover	
3A	852347	1	* Hand lever	
3C	853004	1	* Push button	
5	961330	4	* Cross recessed screw	
7	1140095	1	Control mechanism	
8	17253	2	* Split pin	
9	839638	2	* Cube	
10	852924	1	* Clip	
11	853423	1	* Retainer	
12	839664	1	* Screw	
13	940275	1	* Washer	
14	946435	1	* Lock nut	
15		1	* ATTACHING PLATE	NOT TO BE USED TOGETHER WITH INSTALLATION KIT 851605
16	963548	4	* Hexagon screw	
17		4	* NUT	
18	946435	4	* Lock nut	
19	855352	1	Neutral position con	
20	850200	1	* Toggle switch	
21	946177	2	* Cross recessed screw	
22	947536	2	* Hexagon nut	
23		X	* CABLES AND TERMINALS	SEE GROUP 3
		X	* ELECTRICAL MATERIALS	SEE GROUP 3

MD31A, TMD31A, TMD31B, TAMD31A, TAMD31B, AQAD31A, AD31A, AD31B



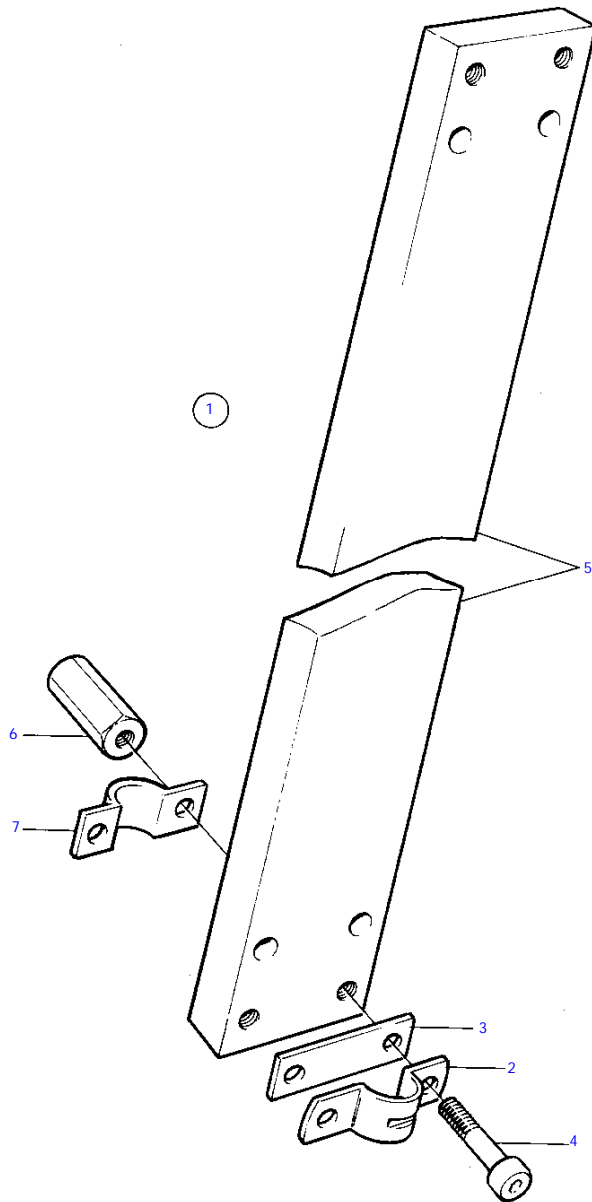
10315



MD31A, TMD31A, TMD31B, TAMD31A, TAMD31B, AQAD31A, AD31A, AD31B

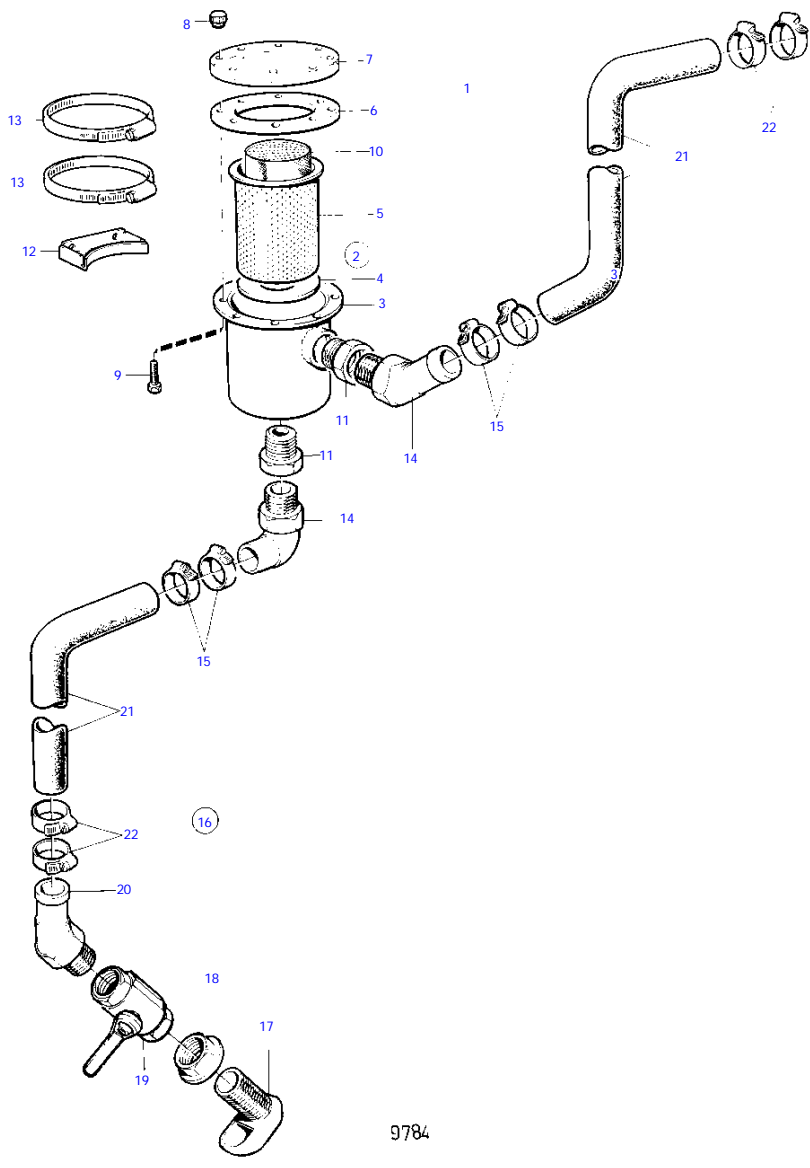
REF	PART NO.	QTY	DESCRIPTION	NOTES
1	1140093	1	Mounting kit	FOR SAIL BOAT., PC741
2	853713	1	* Cover	
3B	839521	1	* Hand lever	FOR SAIL BOAT.
4	1140094	1	* Washer	
5	961330	4	* Cross recessed screw	
6	839693	1	* Lock screw	
7	1140095	1	Control mechanism	
8	17253	2	* Split pin	
9	839638	2	* Cube	
10	852924	1	* Clip	
11	853423	1	* Retainer	
12	839664	1	* Screw	
13	940275	1	* Washer	
14	946435	1	* Lock nut	
15		1	* ATTACHING PLATE	NOT TO BE USED TOGETHER WITH INSTALLATION KIT 851605
16	963548	4	* Hexagon screw	
17		4	* NUT	
18	946435	4	* Lock nut	
19	855352	1	Neutral position con	
20	850200	1	* Toggle switch	
21	946177	2	* Cross recessed screw	
22	947536	2	* Hexagon nut	
23		X	* CABLES AND TERMINALS	SEE GROUP 3
		X	* ELECTRICAL MATERIALS	SEE GROUP 3

MD31A, TMD31A, TMD31B, TAMD31A, TAMD31B, AQAD31A, AD31A, AD31B



8883

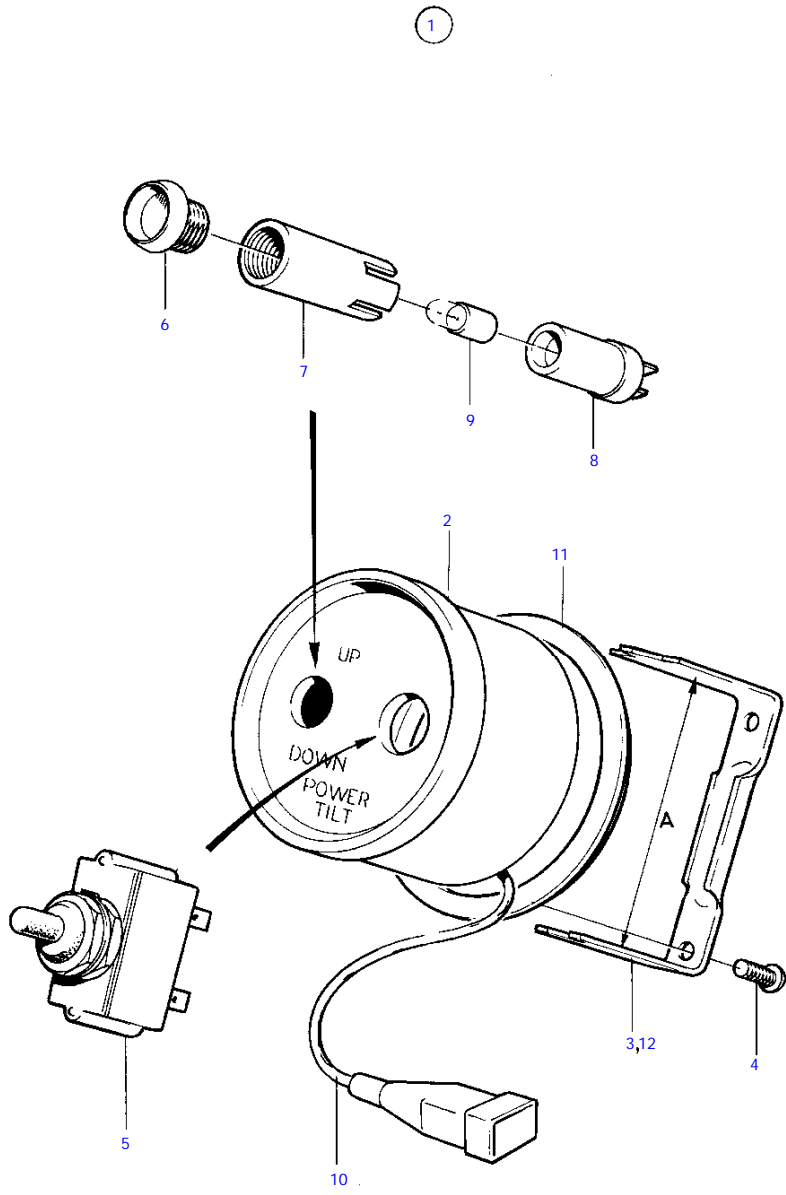
MD31A, TMD31A, TMD31B, TAM31A, TAM31B, AQAD31A, AD31A, AD31B



MD31A, TMD31A, TMD31B, TAMD31A, TAMD31B, AQAD31A, AD31A, AD31B

REF	PART NO.	QTY	DESCRIPTION	NOTES
1	1140034	1	Sea water filter	
2	842466	1	* Sea water filter	
3		1	* * HOUSING	
4	843361	1	* * Gasket	
5	843358	1	* * Filter	
6	843360	1	* * Gasket	
7	843359	1	* * Cardboard tube	
8	843357	8	* * Nut	
9	843362	8	* * Screw	
10	844902	1	* Sea water filter	
11	844903	2	* Bushing	
12	828061	2	* Retainer	
13	961678	2	* Hose clamp	
14	828696	2	* Hose attachment	
15	961669	4	* Hose clamp	
16	841723	1	Cooling water inlet	
17	836876	1	* Strainer	
18	836879	1	* Nut	
19	1140125	1	* Ball valve	(828239)
20	828696	1	* Hose attachment	
21	828461	X	Hose	
22	961669	X	Hose clamp	

MD31A, TMD31A, TMD31B, TAMD31A, TAMD31B, AQAD31A, AD31A, AD31B

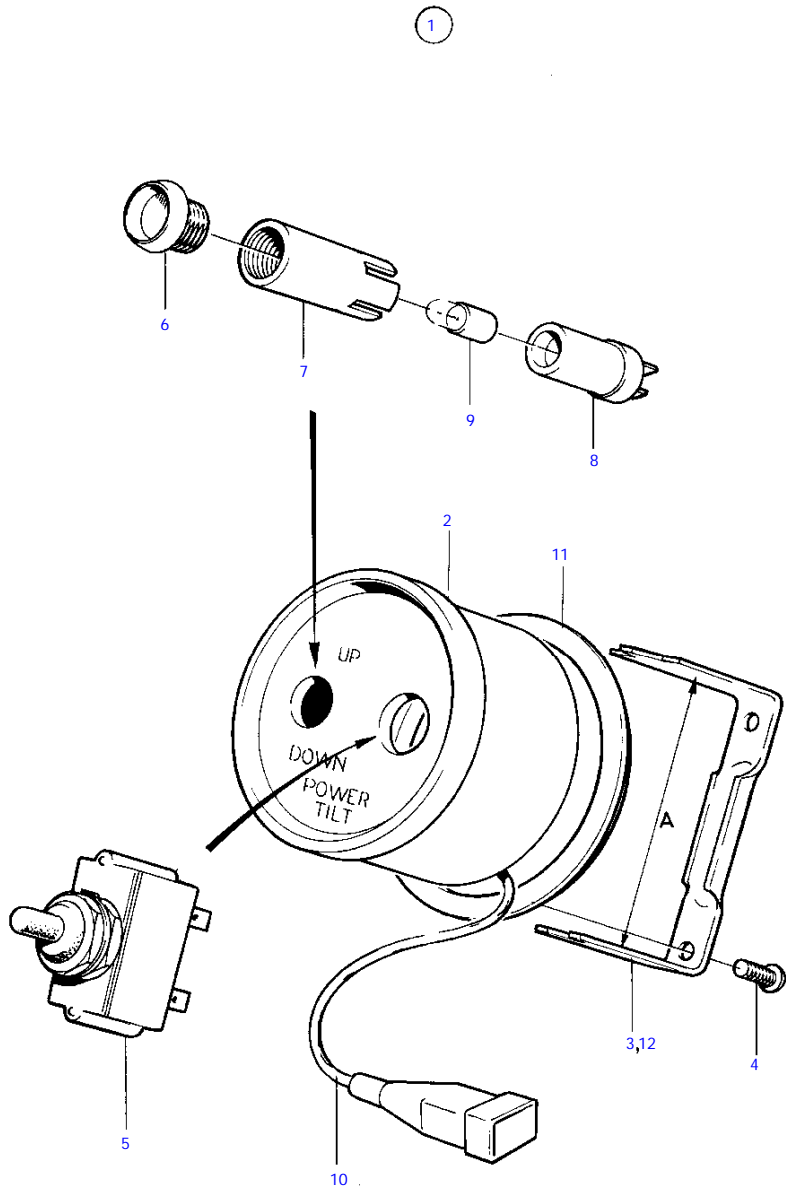


4656

MD31A, TMD31A, TMD31B, TAMD31A, TAMD31B, AQAD31A, AD31A, AD31B

REF	PART NO.	QTY	DESCRIPTION	NOTES
1	850375	1	Instrument panel	12V
2		1	* PANEL	
3	850372	1	* Attaching brace	A = 60 MM
4	944201	2	* Cross recessed screw	
5	814322	1	* Toggle switch	
6	827766	1	* Lens	
7	819350	1	* Sleeve	
8	808175	1	* Lamp socket	
9	19923	1	* Bulb	12V
10	839426	1	* Cable	
		X	* * CABLES AND CABLE TERMINALS	SEE GROUP 3
11	843603	1	Intermediate ring	ALT, OBSOLETE PART
12	843602	1	Attaching brace	ALT A = 65 MM, OBSOLETE PART

MD31A, TMD31A, TMD31B, TAMD31A, TAMD31B, AQAD31A, AD31A, AD31B

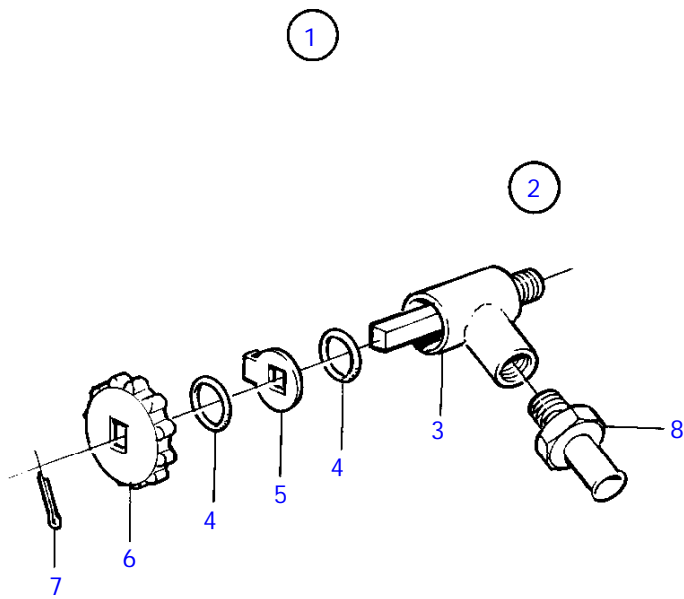


4656

MD31A, TMD31A, TMD31B, TAMD31A, TAMD31B, AQAD31A, AD31A, AD31B

REF	PART NO.	QTY	DESCRIPTION	NOTES
1	850376	1	Instrument panel	24V, OBSOLETE PART
2		1	• PANEL	
3	850372	1	• Attaching brace	A = 60 MM
4	944201	2	• Cross recessed screw	
5	814322	1	• Toggle switch	
6	827766	1	• Lens	
7	819350	1	• Sleeve	
8	808175	1	• Lamp socket	
9	182059	1	• Bulb	24V
10	839426	1	• Cable	
		X	• • CABLES AND CABLE TERMINALS	SEE GROUP 3
11	843603	1	Intermediate ring	ALT, OBSOLETE PART
12	843602	1	Attaching brace	ALT A = 65 MM, OBSOLETE PART

MD31A, TMD31A, TMD31B, TAMD31A, TAMD31B, AQAD31A, AD31A, AD31B

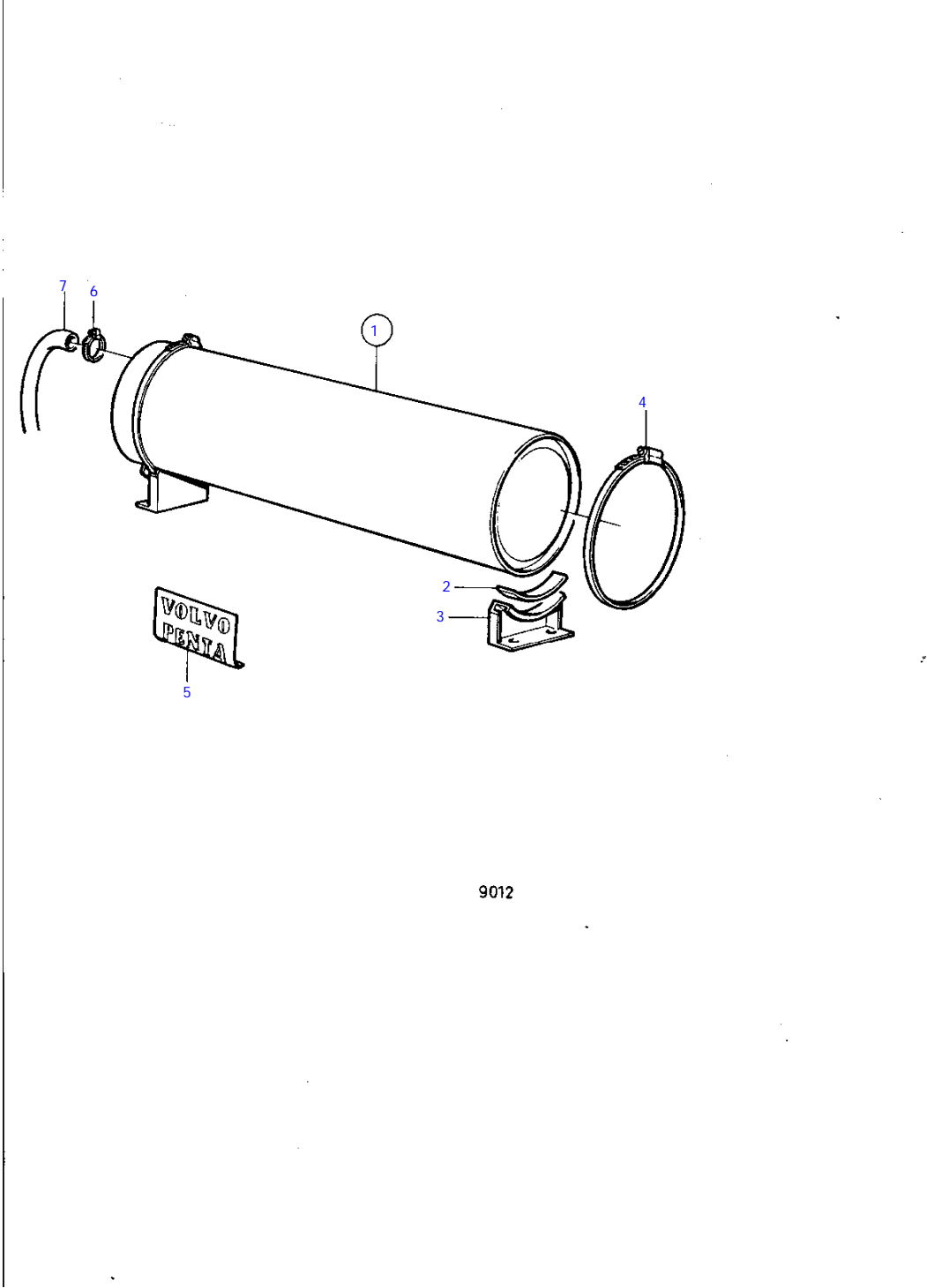


9595

MD31A, TMD31A, TMD31B, TAMD31A, TAMD31B, AQAD31A, AD31A, AD31B

REF	PART NO.	QTY	DESCRIPTION
1	858575	1	Hot water outlet
2	851777	2	• Faucet
3		2	• • HOUSING
4	955989	4	• • O-ring
5	851783	2	• • Lock washer
6		2	• • HANDLE
7	949791	2	• • Split pin
8	851779	2	• Nipple

MD31A, TMD31A, TMD31B, TAMD31A, TAMD31B, AQAD31A, AD31A, AD31B



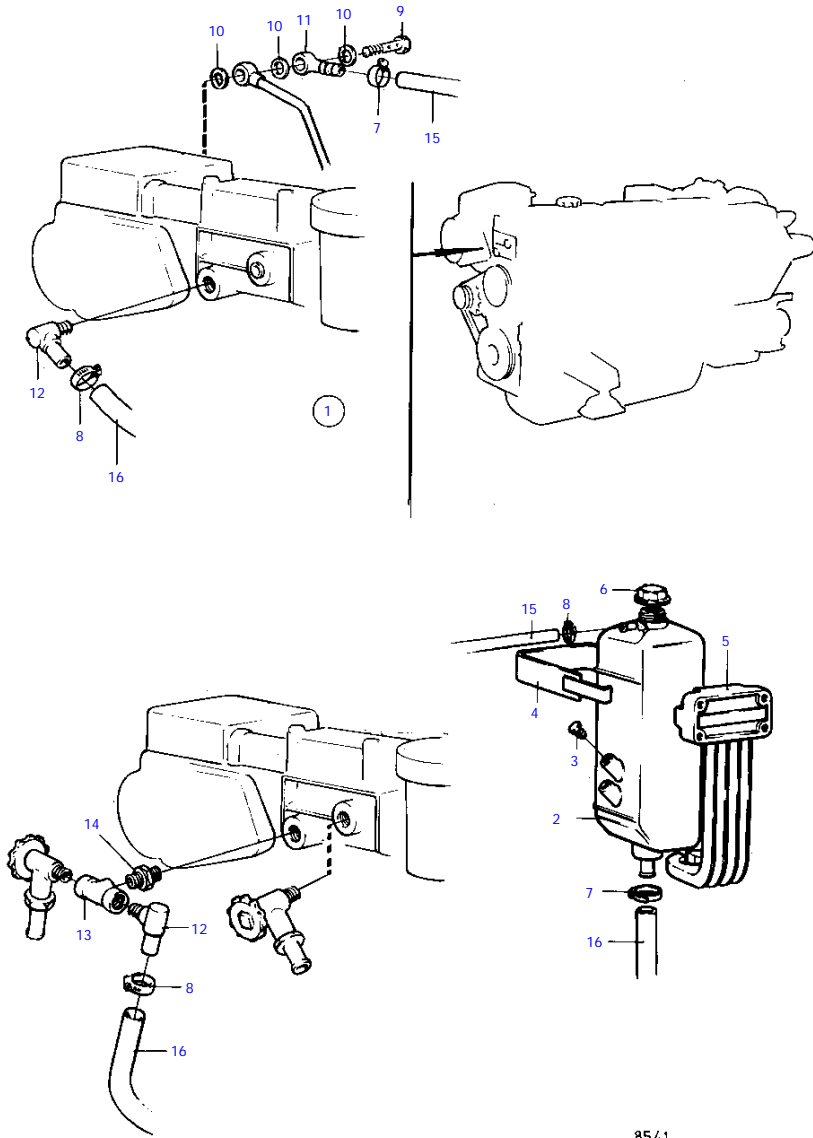
9012

MD31A, TMD31A, TMD31B, TAMD31A, TAMD31B, AQAD31A, AD31A, AD31B

REF	PART NO.	QTY	DESCRIPTION	NOTES
1	1144069	1	Water heater	OBSOLETE PART
2	1144070	2	* Spacer	OBSOLETE PART
3	842767	2	* Bracket	
4	1144071	2	* Hose clamp	OBSOLETE PART
5	827259	1	* Decal	
6	961662	X	Hose clamp	FOR 952968
	961663	X	Hose clamp	FOR 952969
7	952968	X	Hose	D = 12,7 MM
	952969	X	Hose	D = 15,9 MM



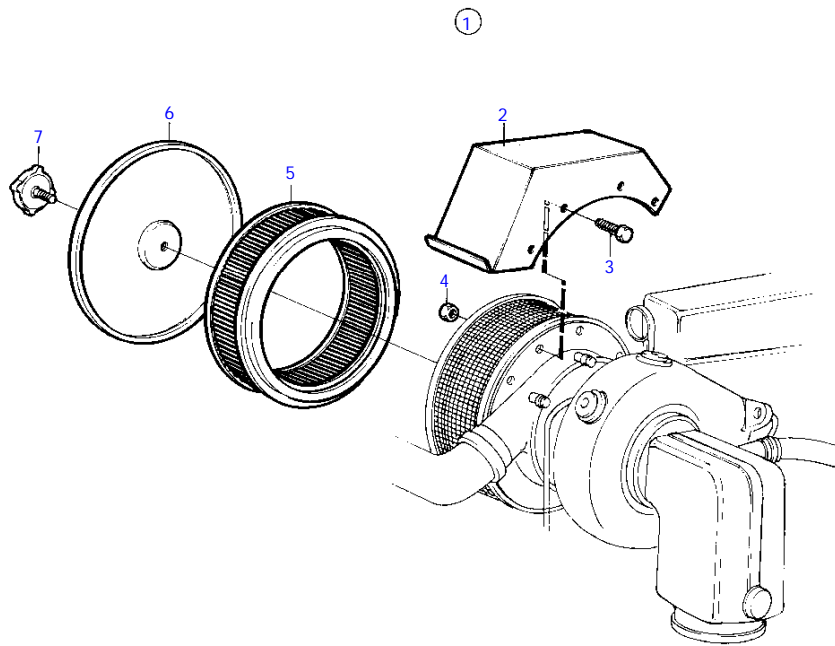
MD31A, TMD31A, TMD31B, TAMD31A, TAMD31B, AQAD31A, AD31A, AD31B



MD31A, TMD31A, TMD31B, TAMD31A, TAMD31B, AQAD31A, AD31A, AD31B

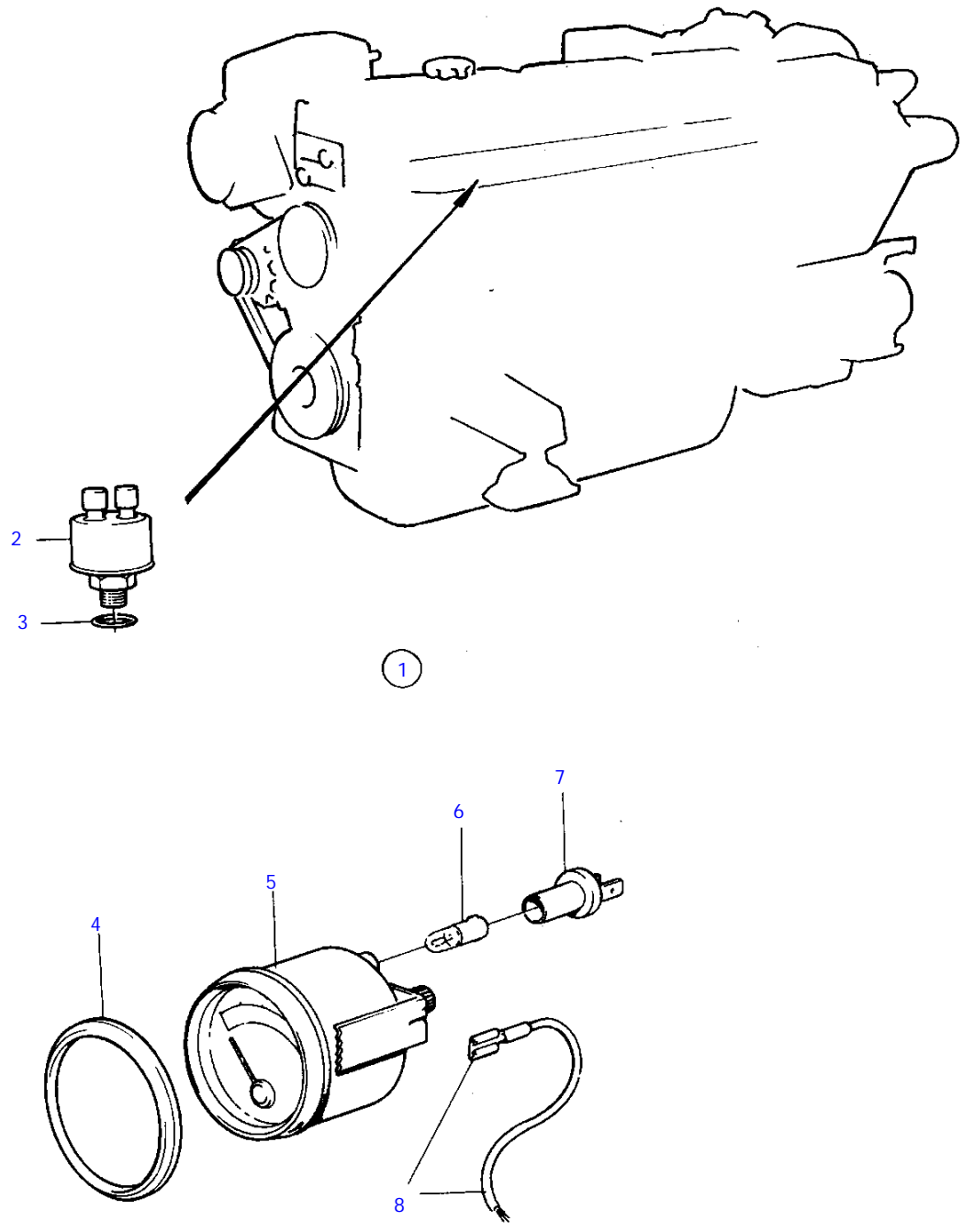
REF	PART NO.	QTY	DESCRIPTION	NOTES
1	858602	1	Expansion tank	NOT FOR MD31A
2	843759	1	* Expansion tank	
3	947660	2	* Plug	(836268)
4	843266	1	* Clamp	
5	843260	1	* Bracket	
6	844624	1	* Pressure cap	
7	961665	2	* Hose clamp	
8	961663	2	* Hose clamp	
9	947975	1	* Hollow screw	
10	947282	3	* Gasket	
11	858750	1	* Banjo nipple	
12	961607	1	* Hose nipple	
13	838434	1	* T-pipe	WHEN HOT WATER OUTLET IS INSTALLED., OBSOLETE PART
14	943089	1	* Nipple	WHEN HOT WATER OUTLET IS INSTALLED.
15		X	HOSE	
16		X	HOSE	

MD31A, TMD31A, TMD31B, TAMD31A, TAMD31B, AQAD31A, AD31A, AD31B



10228

MD31A, TMD31A, TMD31B, TAM31A, TAM31B, AQAD31A, AD31A, AD31B



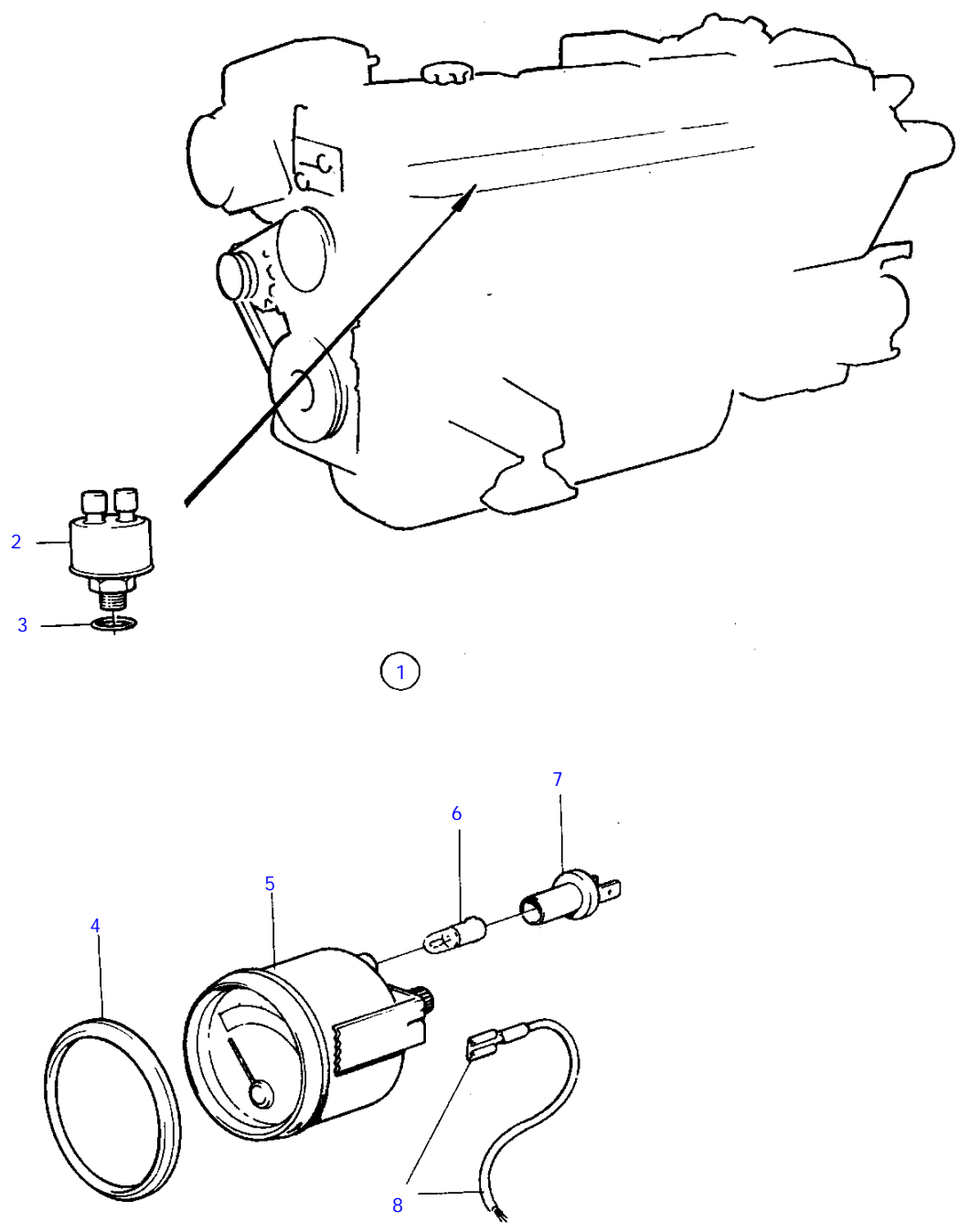
10035

MD31A, TMD31A, TMD31B, TAMD31A, TAMD31B, AQAD31A, AD31A, AD31B

REF	PART NO.	QTY	DESCRIPTION	NOTES
1	858603	1	Pressure gauge, GAUGE	GOLD COLOURED DECOR STRIPE., NOT FOR MD31A, 12V REPL BY 858887
2	837782	1	* Pressure sensor	
3	957181	1	* Gasket	
4	828542	1	* Front ring	REPL BY 858643
	858643	1	* Front ring	
5	863938	1	* Turbo pressure gauge	(828625)
6	863946	1	* • Bulb	FOR INSTRUMENTS WITH PART NO 828625 SHOULD HOLDER 808175 BE INSTALLED., RED WHITE BULB 19923 AND BULB HOLDER 808175 BE INSTALLED.
7	863945	1	* • Lamp socket	FOR INSTRUMENTS WITH PART NO 828625 SHOULD HOLDER 808175 BE INSTALLED. WHITE BULB 19923 AND BULB HOLDER 808175 BE INSTALLED.
8		X	* CABLES AND TERMINALS	SEE GROUP 3



MD31A, TMD31A, TMD31B, TAM31A, TAM31B, AQAD31A, AD31A, AD31B

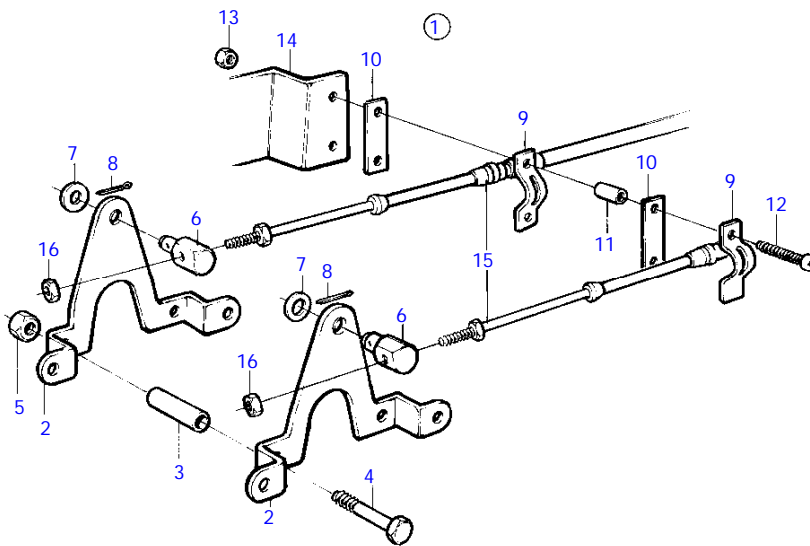


10035

MD31A, TMD31A, TMD31B, TAMD31A, TAMD31B, AQAD31A, AD31A, AD31B

REF	PART NO.	QTY	DESCRIPTION	NOTES
1	858887	1	Pressure gauge	WHITE COLOURED DECOR STRIPE., NOT FOR MD31A, 12V
2	837782	1	* Pressure sensor	
3	957181	1	* Gasket	
4	858643	1	* Front ring	
5	863938	1	* Turbo pressure gauge	(828625)
6	863946	1	* • Bulb	FOR INSTRUMENTS WITH PART NO 828625 SHOULD WHITE BULB 19923 AND BULB HOLDER 808175 BE INSTALLED., RED
7	863945	1	* • Lamp socket	FOR INSTRUMENTS WITH PART NO 828625 SHOULD WHITE BULB 19923 AND BULB HOLDER 808175 BE INSTALLED.
8		X	* CABLES AND TERMINALS	SEE GROUP 3

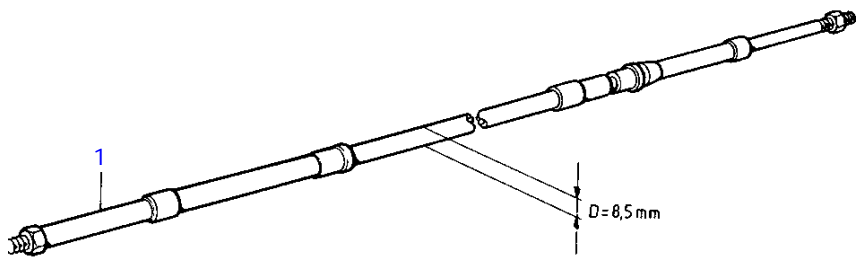
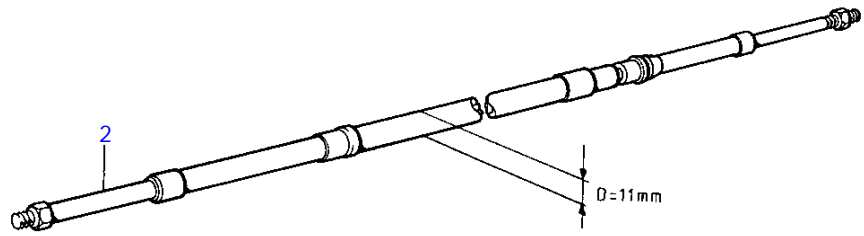
MD31A, TMD31A, TMD31B, TAMMD31A, TAMMD31B, AQAD31A, AD31A, AD31B



9531

MD31A, TMD31A, TMD31B, TAMD31A, TAMD31B, AQAD31A, AD31A, AD31B

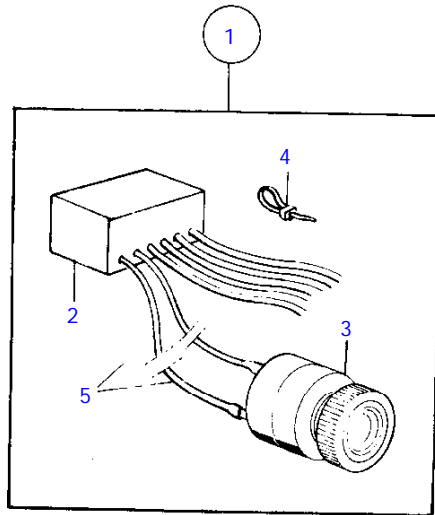
REF	PART NO.	QTY	DESCRIPTION	SEE SEC.	NOTES
1	854293	1	Connector kit		OBSOLETE PART
2	853922	2	* Intermediate lever		
3	853921	2	* Spacer sleeve		
4	955276	2	* Hexagon screw		
5	946035	2	* Lock nut		
6	804312	2	* Cube		
7	955892	2	* Washer		
8	17276	2	* Split pin		
9	21471054	2	* Bracket		
10	819068	2	* Washer		
11	830674	2	* Spacer sleeve		
12	955250	2	* Hexagon screw		
13	965483	2	* Flange nut		
14		1	BRACKET		SEE GROUP 4B
15		X	CONTROL CABLE	19395	
16	951674	2	Lock nut		



10696

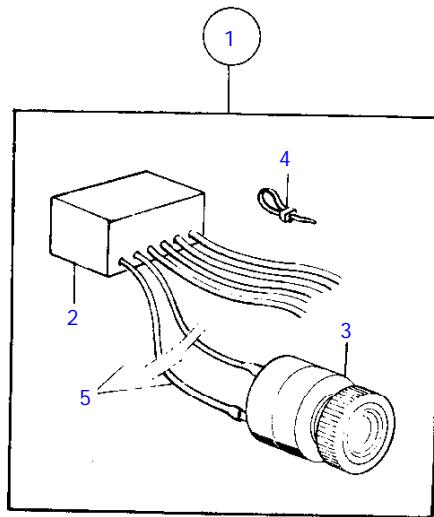
REF	PART NO.	QTY	DESCRIPTION	NOTES
1	1140171	X	Control cable	
	1140172	X	Control cable	TYPE 333 L = 1,25M
	1140173	X	Control cable	TYPE 333 L = 1,50M
	1140174	X	Control cable	TYPE 333 L = 1,75M
	1140175	X	Control cable	TYPE 333 L = 2,00M
	1140176	X	Control cable	TYPE 333 L = 2,25M
	1140177	X	Control cable	TYPE 333 L = 2,50M
	1140178	X	Control cable	TYPE 333 L = 2,75M
	1140179	X	Control cable	TYPE 333 L = 3,00M
	1140180	X	Control cable	TYPE 333 L = 3,25M
	1140181	X	Control cable	TYPE 333 L = 3,50M
	1140182	X	Control cable	TYPE 333 L = 3,75M
	1140183	X	Control cable	TYPE 333 L = 4,00M
	1140184	X	Control cable	TYPE 333 L = 4,25M
	1140185	X	Control cable	TYPE 333 L = 4,50M
	1140186	X	Control cable	TYPE 333 L = 4,75M
	1140187	X	Control cable	TYPE 333 L = 5,00M
	1140188	X	Control cable	TYPE 333 L = 5,25M
	1140189	X	Control cable	TYPE 333 L = 5,25M
	1140190	X	Control cable	TYPE 333 L = 5,75M
	1140191	X	Control cable	TYPE 333 L = 6,00M
	1140192	X	Control cable	TYPE 333 L = 6,25M
	1140193	X	Control cable	TYPE 333 L = 6,50M
	1140194	X	Control cable	TYPE 333 L = 6,75M
	1140195	X	Control cable	TYPE 333 L = 7,00M
	1140196	X	Control cable	TYPE 333 L = 7,25M
	1140197	X	Control cable	TYPE 333 L = 7,50M
	1140198	X	Control cable	TYPE 333 L = 7,75M
	1140199	X	Control cable	TYPE 333 L = 8,00M
	1140200	X	Control cable	TYPE 333 L = 8,50M
	1140201	X	Control cable	TYPE 333 L = 9,00M
	1140202	X	Control cable	TYPE 333 L = 9,50M
	1140203	X	Control cable	TYPE 333 L = 10,00M
	1140204	X	Control cable	TYPE 333 L = 10,50M
	1140205	X	Control cable	TYPE 333 L = 11,00M
	1140206	X	Control cable	TYPE 333 L = 11,50M
	1140207	X	Control cable	TYPE 333 L = 12,00M
	1140208	X	Control cable	TYPE 333 L = 12,50M
	1140209	X	Control cable	TYPE 333 L = 13,00M
2	1140101	X	Control cable	TYPE 443 L = 2,00M, OBSOLETE PART
	1140102	X	Control cable	TYPE 443 L = 2,00M, OBSOLETE PART
	1140103	X	Control cable	TYPE 443 L = 3,00M
	1140104	X	Control cable	TYPE 443 L = 3,50M, OBSOLETE PART
	1140105	X	Control cable	TYPE 443 L = 4,00M, OBSOLETE PART
	1140106	X	Control cable	TYPE 443 L = 4,50M
	1140107	X	Control cable	TYPE 443 L = 5,00M, OBSOLETE PART
	1140108	X	Control cable	TYPE 443 L = 5,50M, OBSOLETE PART
	1140109	X	Control cable	TYPE 443 L = 6,00M
	1140110	X	Control cable	TYPE 443 L = 6,50M
	1140111	X	Control cable	TYPE 443 L = 7,00M
	1140112	X	Control cable	TYPE 443 L = 7,50M
	1140113	X	Control cable	TYPE 443 L = 8,00M, OBSOLETE PART
	1140114	X	Control cable	TYPE 443 L = 8,50M
	1140115	X	Control cable	TYPE 443 L = 9,00M
	1140116	X	Control cable	TYPE 443 L = 9,50M, OBSOLETE PART
	1140117	X	Control cable	TYPE 443 L = 10,00M
	1140118	X	Control cable	TYPE 443 L = 11,00M
	1140119	X	Control cable	TYPE 443 L = 12,00M, OBSOLETE PART
	1140120	X	Control cable	TYPE 443 L = 13,00M
	1140121	X	Control cable	TYPE 443 L = 14,00M
	1140122	X	Control cable	TYPE 443 L = 15,00M, OBSOLETE PART

MD31A, TMD31A, TMD31B, TAMD31A, TAMD31B, AQAD31A, AD31A, AD31B



3024

MD31A, TMD31A, TMD31B, TAMD31A, TAMD31B, AQAD31A, AD31A, AD31B

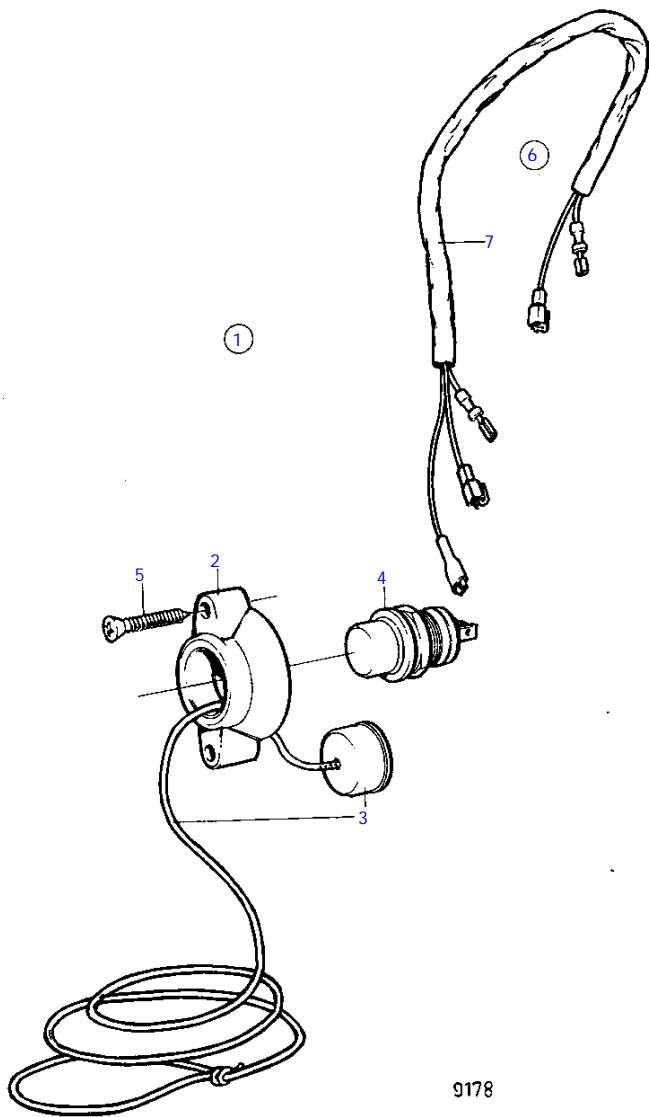


3024

MD31A, TMD31A, TMD31B, TAMD31A, TAMD31B, AQAD31A, AD31A, AD31B

REF	PART NO.	QTY	DESCRIPTION	NOTES
1	827941	1	Alarm kit	24V, OBSOLETE PART
2	831627	1	* Thermo monitor	24V, OBSOLETE PART
3	827597	1	* Horn unit	
4	948210	2	* Cable tie	(827353)
5		X	* CABLES AND TERMINALS	SEE GROUP 3

MD31A, TMD31A, TMD31B, TAMD31A, TAMD31B, AQAD31A, AD31A, AD31B

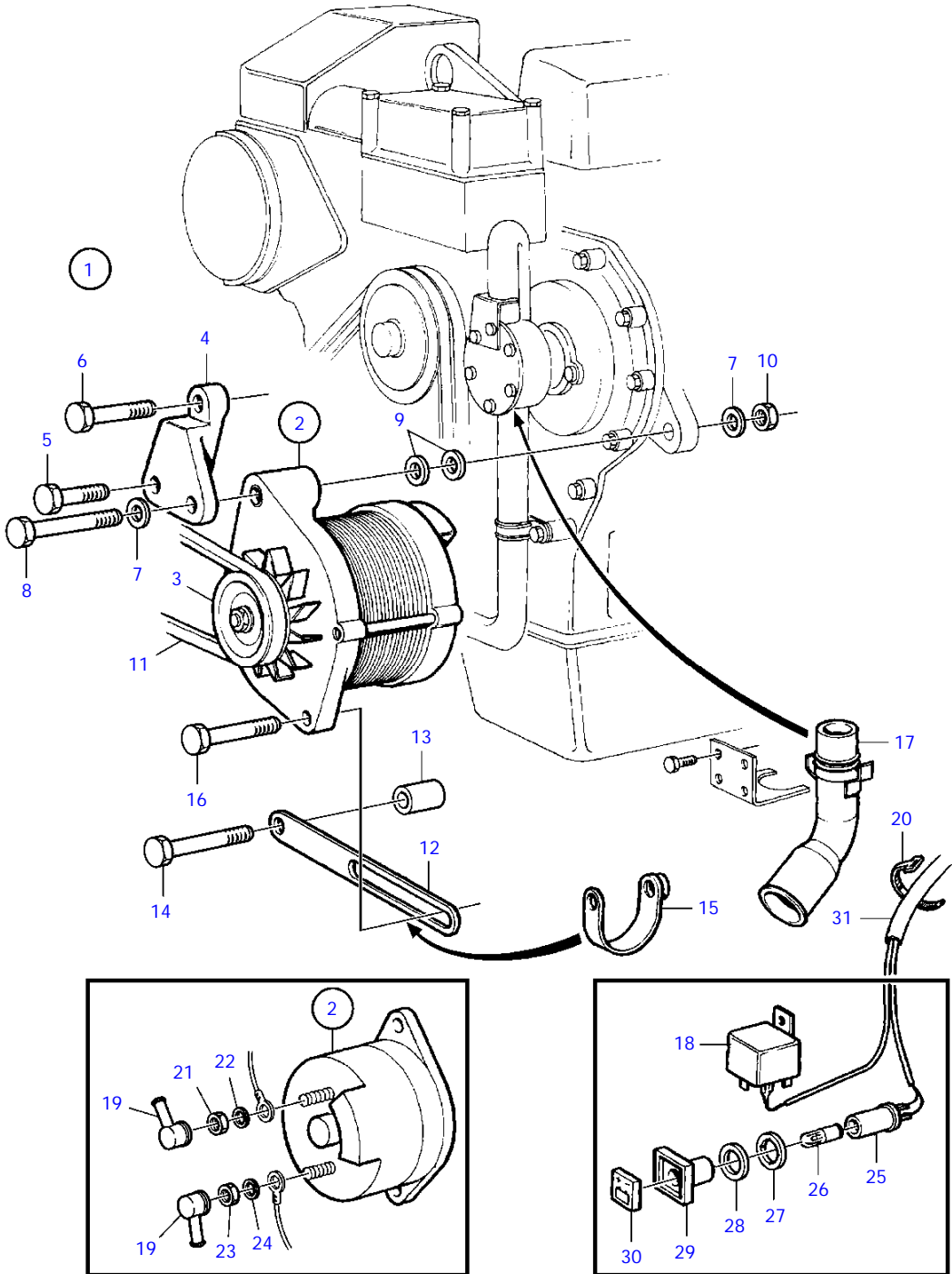


9178

MD31A, TMD31A, TMD31B, TAMD31A, TAMD31B, AQAD31A, AD31A, AD31B

REF	PART NO.	QTY	DESCRIPTION	NOTES
1	859192	1	Safety switch	
2	839342	1	• Anchorage	
3	839421	1	• Fuse	
4	843684	1	• Button	
5	944540	2	• Screw	
6	859178	1	• Cable kit	OBSOLETE PART
7		X	• • CABLES AND TERMINALS	SEE GROUP 3

MD31A, TMD31A, TMD31B, TAMD31A, TAMD31B, AQAD31A, AD31A, AD31B

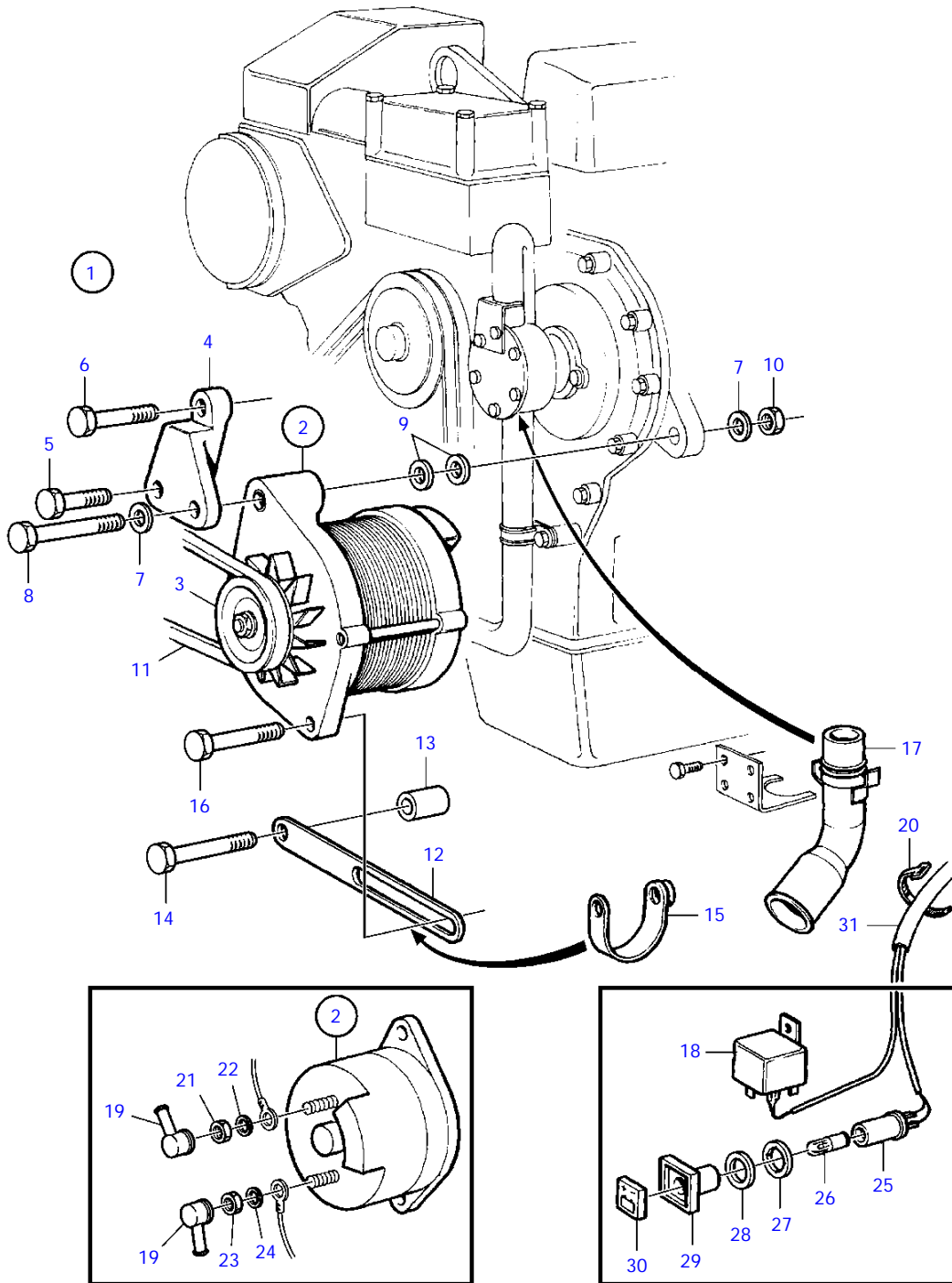


8432

MD31A, TMD31A, TMD31B, TAMD31A, TAMD31B, AQAD31A, AD31A, AD31B

REF	PART NO.	QTY	DESCRIPTION	SEE SEC.	NOTES
1	858620	1	Alternator kit		12V
2	858838	1	* Alternator, GENERATOR COMPONENTS		FOR 12 VOLTAGE ELECTRIC SYSTEM., ALSO AVAILABLE AS AN EXCHANGE PART., 14V 50A
			* *		SEE GROUP 3
			* *	19311	
3	841813	1	* Pulley		
4	843057	1	* Bracket		
5	965183	1	* Flange screw		
6	965180	1	* Flange screw		
7	941908	2	* Spring washer		
8	955332	1	* Hexagon screw		
9	192495	2	* Washer		
10	971095	1	* Flange nut		(945409)
11	967109	1	* V-belt		(958490)
12	843055	1	* Tensioner		
13	843075	1	* Spacer sleeve		
14	965183	1	* Flange screw		
15	466735	1	* Tensioning eyelet		
16	947760	1	* Flange screw		
17	858559	1	* Hose connection		
18	853545	1	* Relay kit		(853544)
19	842150	2	* Protective cap		
20	948210	10	* Cable tie		
21	955780	1	* Hexagon nut		
22	941905	1	* Spring washer		
23	955781	1	* Hexagon nut		
24	941906	1	* Spring washer		
25	808175	1	* Lamp socket		
26	19923	1	* Bulb		
27	967583	1	* Retainer		
28	829714	1	* Sealing ring		
29	838455	1	* Retainer		
30	838457	1	* Symbol strip		
31		X	* CABLES AND TERMINALS		SEE GROUP 3

MD31A, TMD31A, TMD31B, TAMD31A, TAMD31B, AQAD31A, AD31A, AD31B

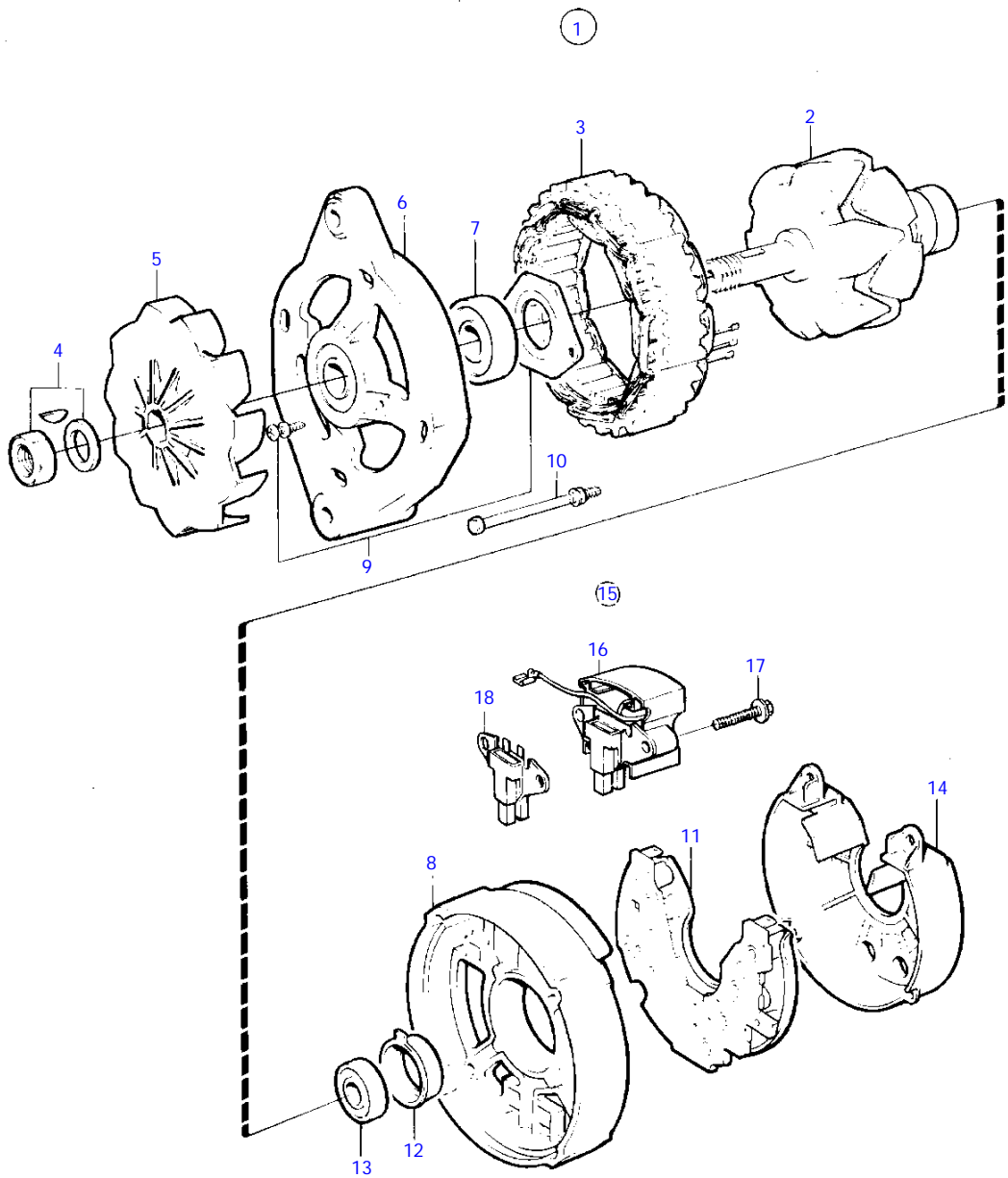


8432

MD31A, TMD31A, TMD31B, TAMD31A, TAMD31B, AQAD31A, AD31A, AD31B

REF	PART NO.	QTY	DESCRIPTION	NOTES
1	858679	1	Alternator kit	24V
2	849602	1	* Alternator, GENERATOR	FOR 24 VOLTAGE ELECTRIC SYSTEM, 28V 30A
3	841813	1	* Pulley	
4	843057	1	* Bracket	
5	965183	1	* Flange screw	
6	965180	1	* Flange screw	
7	941908	2	* Spring washer	
8	955332	1	* Hexagon screw	
9	192495	2	* Washer	
10	971095	1	* Flange nut	(945409)
11	967109	1	* V-belt	(958490)
12	843055	1	* Tensioner	
13	843075	1	* Spacer sleeve	
14	965183	1	* Flange screw	
15	466735	1	* Tensioning eyelet	
16	947760	1	* Flange screw	
17	858559	1	* Hose connection	
18	853545	1	* Relay kit	(853544)
19	842150	1	* Protective cap	
20	948210	10	* Cable tie	
21	955780	1	* Hexagon nut	
22	941905	1	* Spring washer	
23	955781	1	* Hexagon nut	
24	941906	1	* Spring washer	
25	808175	1	* Lamp socket	
26	182059	1	* Bulb	
27	967583	1	* Retainer	
28	829714	1	* Sealing ring	
29	838455	1	* Retainer	
30	838457	1	* Symbol strip	
31		X	* CABLES AND TERMINALS	SEE GROUP 3

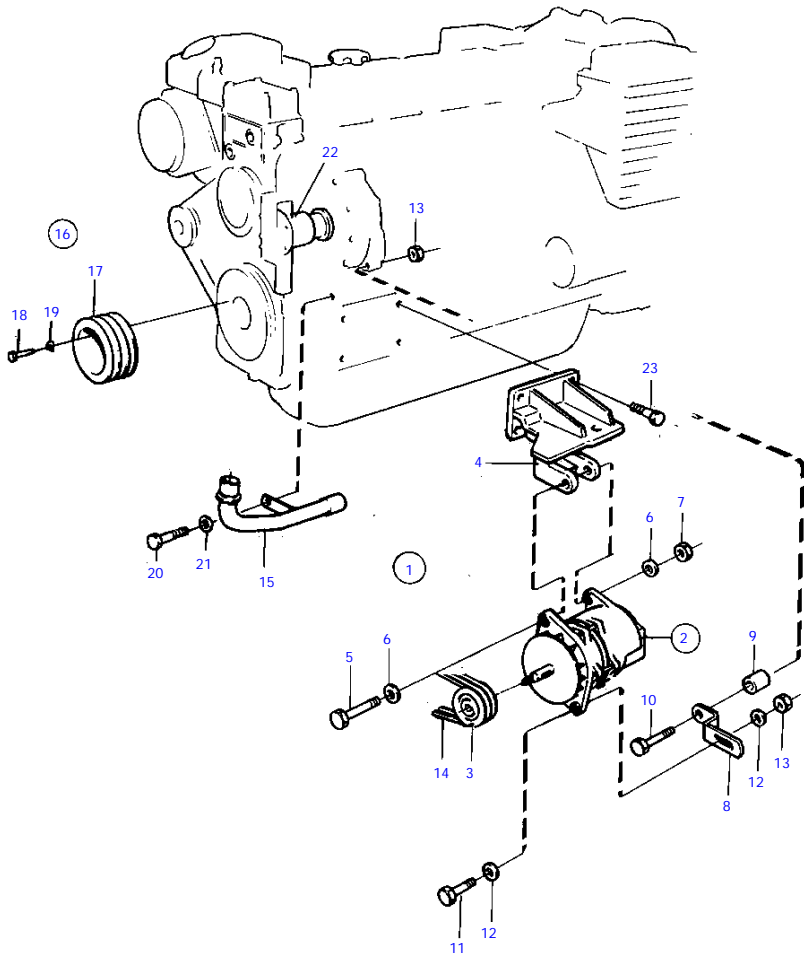




9425

REF	PART NO.	QTY	DESCRIPTION	NOTES
1	849602	1	Alternator	FOR 24 VOLTAGE ELECTRIC SYSTEM., 28V 30A
2	838912	1	* Rotor	OBSOLETE PART
3	848401	1	* Field winding	(838913), OBSOLETE PART
4		1	* MOUNTING KIT	
5		1	* FAN	
6		1	* FRONT COVER	
7		1	* BALL BEARING	
8		1	* REAR COVER	
9		1	* MOUNTING KIT	
10		1	* SCREW KIT	
11	1696944	1	* Diode bridge	(859419)
12		1	* BEARING HOLDER	
13		1	* BALL BEARING	
14	847712	1	* Protecting casing	
15	864006	1	* Governor	(1696946)
16		1	* * GOVERNOR	
17	859312	6	* * Screw	
18	840632	1	* * Brush retainer	

MD31A, TMD31A, TMD31B, TAM31A, TAM31B, AQAD31A, AD31A, AD31B

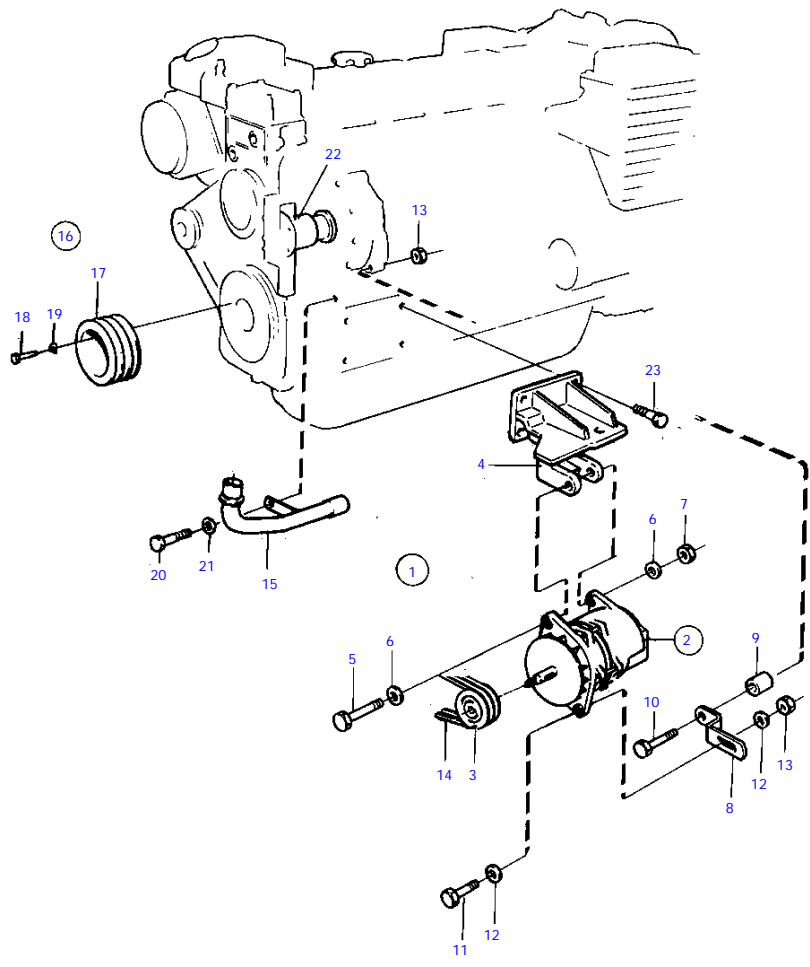


8437

MD31A, TMD31A, TMD31B, TAMD31A, TAMD31B, AQAD31A, AD31A, AD31B

REF	PART NO.	QTY	DESCRIPTION	SEE SEC.	NOTES
1	858572	1	Alternator kit		24V REPL BY 859577
2	849748	1	* Alternator, GENERATOR		FOR 24 VOLTAGE ELECTRIC SYSTEM., 28V 100A
	3803499	1	* Alternator, exch, GENERATOR, exch		FOR 24 VOLTAGE ELECTRIC SYSTEM., 28V 100A
			* *	19315	
			* *	19314	
3	858191	1	* Pulley		
4	858627	1	* Bracket		OBSOLETE PART
5	955358	1	* Hexagon screw		
6	955897	2	* Washer		
7	955784	1	* Hexagon nut		
8	846831	1	* Tensioner		
9	824205	1	* Spacer sleeve		L = 20 MM
10	947790	1	* Flange screw		L = 80 MM
11	955319	2	* Hexagon screw		
12	960143	4	* Washer		
13	971095	3	* Flange nut		(945409)
14	958539	1	* V-belt		
15	858240	1	* Coolant pipe		OBSOLETE PART
16	858257	1	* Belt pulley kit		
17	838596	1	* * Pulley		
18	955301	6	* * Hexagon screw		
19	941907	6	Spring washer		SEE GROUP 2A
20		1	SCREW		SEE GROUP 2A
21		1	WASHER		SEE GROUP 2A
22		1	SEA WATER PUMP		SEE GROUP 2B
23		4	SCREW		SEE GROUP 2A

MD31A, TMD31A, TMD31B, TAMD31A, TAMD31B, AQAD31A, AD31A, AD31B

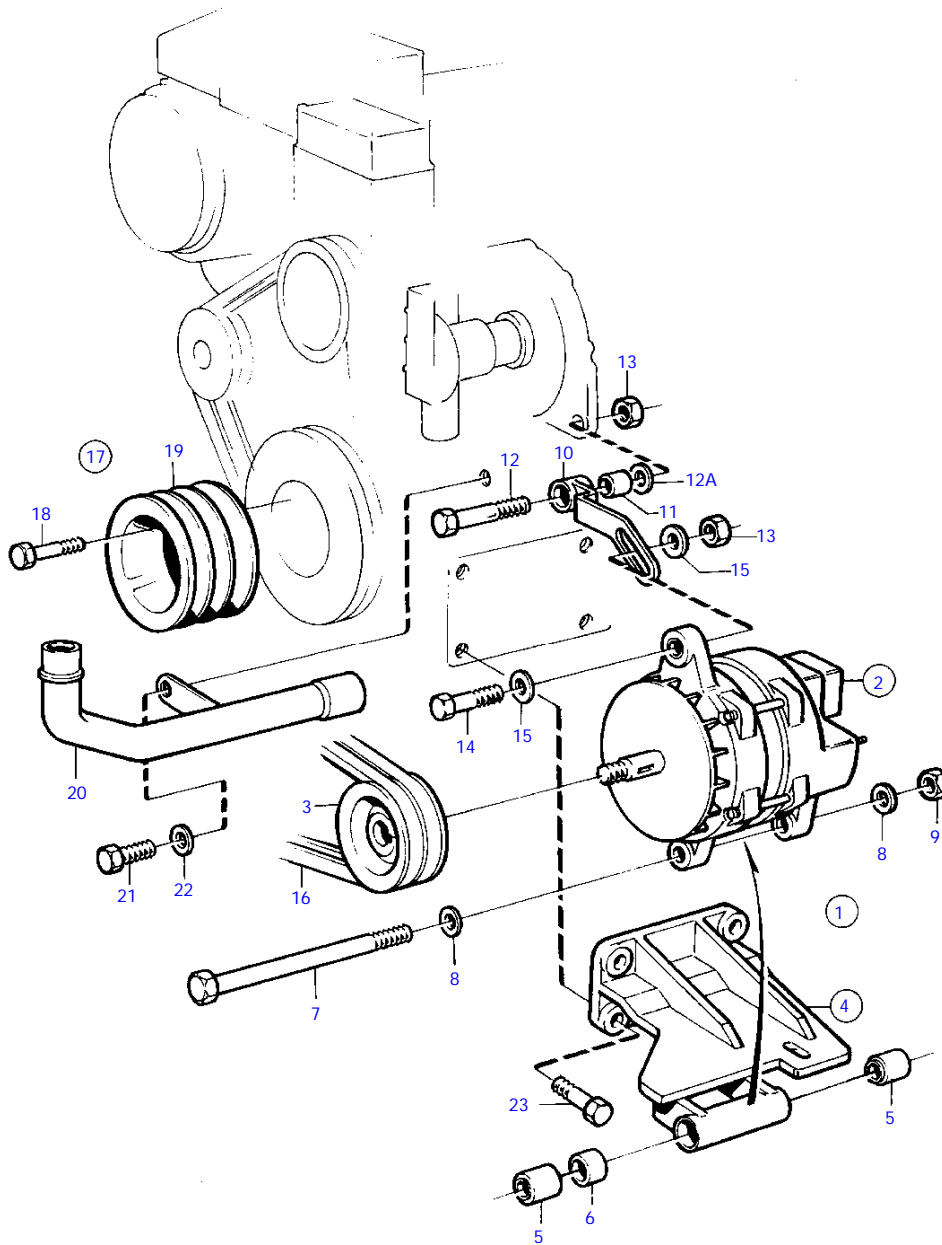


8437

MD31A, TMD31A, TMD31B, TAMD31A, TAMD31B, AQAD31A, AD31A, AD31B

REF	PART NO.	QTY	DESCRIPTION	NOTES
1	858573	1	Alternator kit	12V REPL BY 859576
2	849747	1	* Alternator, GENERATOR	FOR 12 VOLTAGE ELECTRIC SYSTEM., 14V 130A
	3803577	1	* Alternator, GENERATOR, exch	FOR 12 VOLTAGE ELECTRIC SYSTEM., 14V 130A
3	858191	1	* Pulley	
4	858627	1	* Bracket	OBSOLETE PART
5	955358	1	* Hexagon screw	
6	955897	2	* Washer	
7	955784	1	* Hexagon nut	
8	846831	1	* Tensioner	
9	824205	1	* Spacer sleeve	L = 20 MM
10	947790	1	* Flange screw	L = 80 MM
11	955319	2	* Hexagon screw	
12	960143	4	* Washer	
13	971095	3	* Flange nut	(945409)
14	958539	1	* V-belt	
15	858240	1	* Coolant pipe	OBSOLETE PART
16	858257	1	* Belt pulley kit	
17	838596	1	* Pulley	
18	955301	6	* Hexagon screw	
19	941907	6	Spring washer	SEE GROUP 2A
20		1	SCREW	SEE GROUP 2A
21		1	WASHER	SEE GROUP 2A
22		1	SEA WATER PUMP	SEE GROUP 2B
23		4	SCREW	SEE GROUP 2A

MD31A, TMD31A, TMD31B, TAMD31A, TAMD31B, AQAD31A, AD31A, AD31B

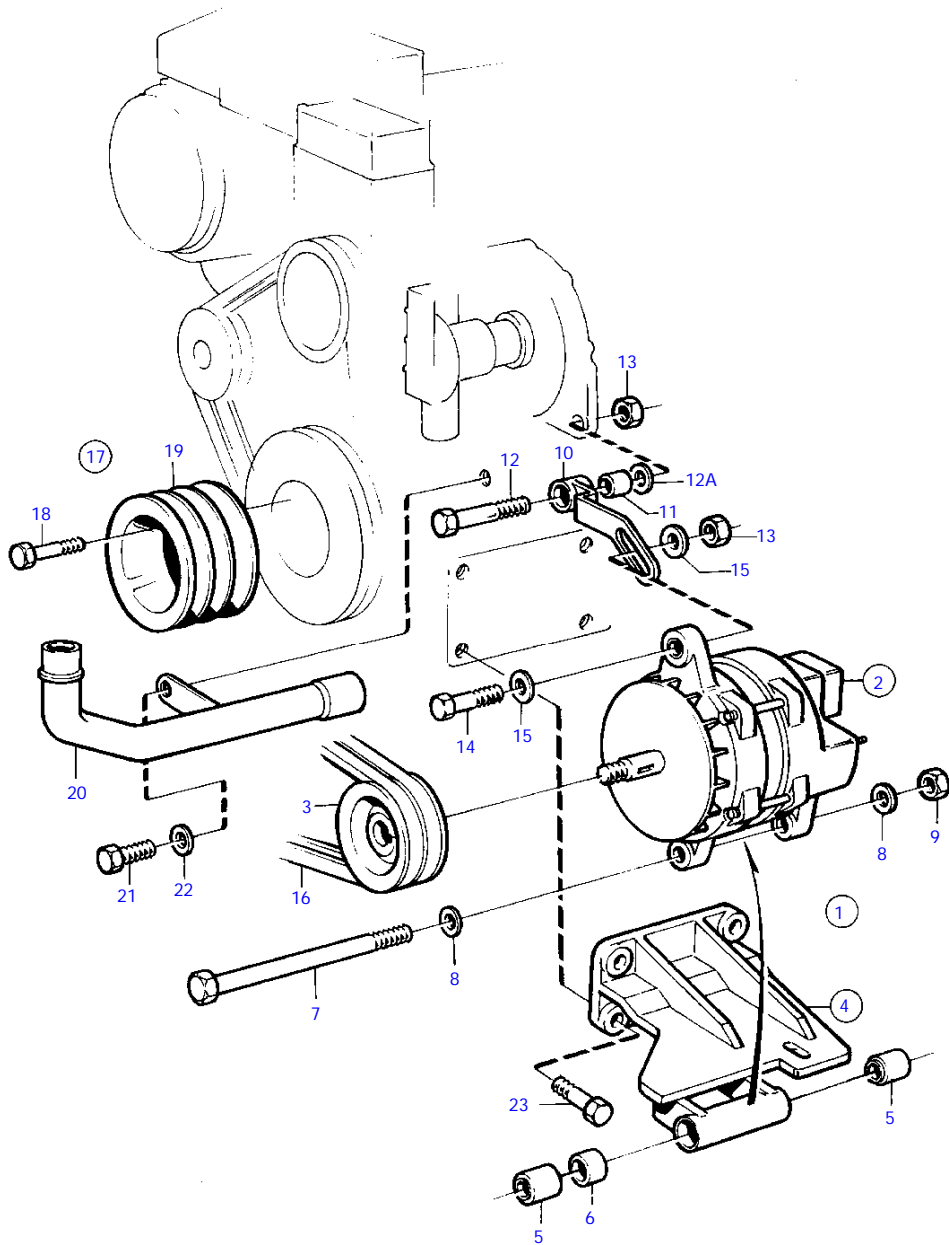


9468

MD31A, TMD31A, TMD31B, TAMD31A, TAMD31B, AQAD31A, AD31A, AD31B

REF	PART NO.	QTY	DESCRIPTION	SEE SEC.	NOTES
1	859576	1	Alternator		FOR 12 VOLTAGE ELECTRIC SYSTEM.
2	849747	1	* Alternator		FOR 12 VOLTAGE ELECTRIC SYSTEM., 14V 130A
	3803577	1	* Alternator, exch		FOR 12 VOLTAGE ELECTRIC SYSTEM., 14V 130A
			* *	19314	
			* *	19315	
3	858191	1	* Pulley		
4	859575	1	* Bracket		OBSOLETE PART
5	859574	2	* * Bushing		
6	859072	1	* * Sleeve		
7	970988	1	* Hexagon screw		
8	955897	2	* Washer		
9	971072	1	* Hexagon nut		
10	859075	1	* Tensioner		
11	859071	1	* * Bushing		
12	947790	1	* Flange screw		
12A	949818	1	* Washer		
13	971095	3	* Flange nut		
14	970949	2	* Hexagon screw		
15	960143	4	* Washer		
16	958539	1	* V-belt		
17	858257	1	* Belt pulley kit		
18	955301	6	* * Hexagon screw		
19	838596	1	* Pulley		
20	858240	1	* Coolant pipe		OBSOLETE PART
21		1	SCREW		SEE GROUP 2B
22		1	WASHER		SEE GROUP 2B
23		4	SCREW		SEE GROUP 2A

MD31A, TMD31A, TMD31B, TAMD31A, TAMD31B, AQAD31A, AD31A, AD31B

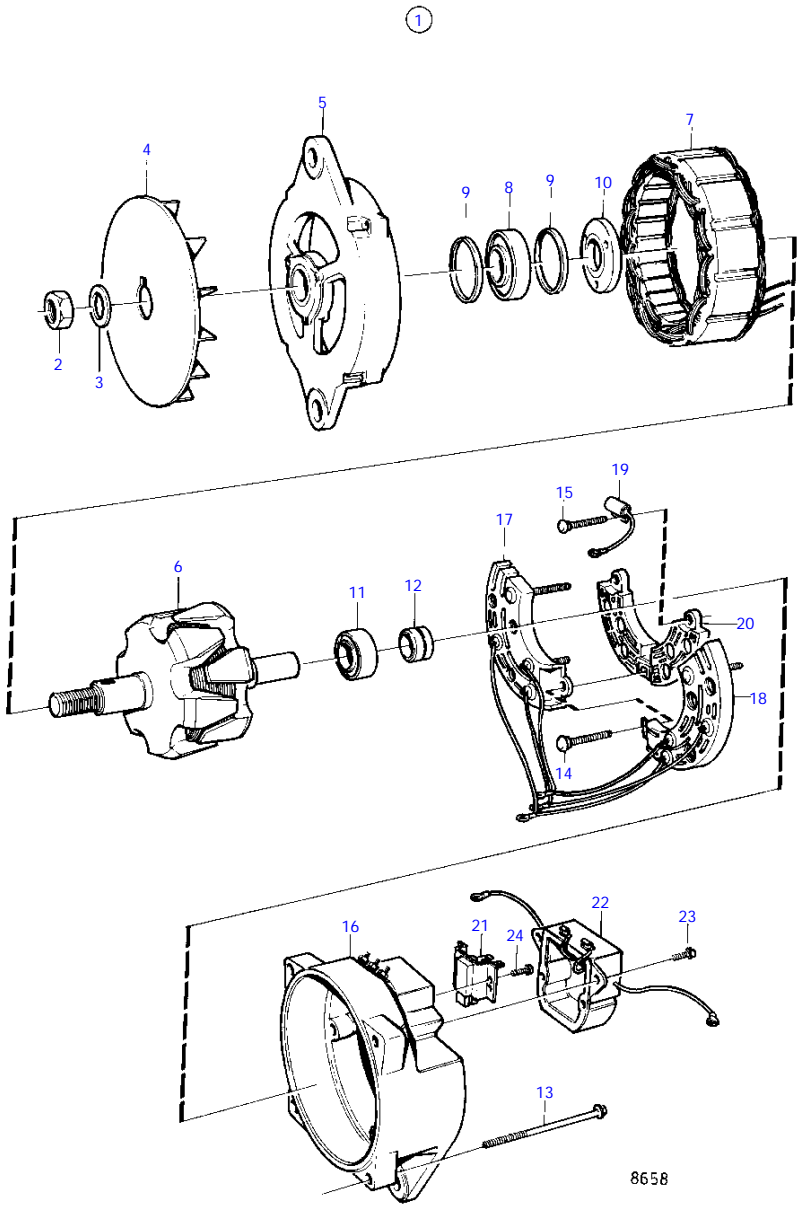


9468

MD31A, TMD31A, TMD31B, TAMD31A, TAMD31B, AQAD31A, AD31A, AD31B

REF	PART NO.	QTY	DESCRIPTION	NOTES
1	859577	1	Alternator	FOR 24 VOLTAGE ELECTRIC SYSTEM.
2	849748	1	* Alternator	FOR 24 VOLTAGE ELECTRIC SYSTEM., 28V 100A
	3803499	1	* Alternator, exch, exch	FOR 24 VOLTAGE ELECTRIC SYSTEM., 28V 100A
3	858191	1	* Pulley	
4	859575	1	* Bracket	OBSOLETE PART
5	859574	2	* * Bushing	
6	859072	1	* * Sleeve	
7	970988	1	* Hexagon screw	
8	955897	2	* Washer	
9	971072	1	* Hexagon nut	
10	859075	1	* Tensioner	
11	859071	1	* * Bushing	
12	947790	1	* Flange screw	
12A	949818	1	* Washer	
13	971095	3	* Flange nut	
14	970949	2	* Hexagon screw	
15	960143	4	* Washer	
16	958539	1	* V-belt	
17	858257	1	* Belt pulley kit	
18	955301	6	* * Hexagon screw	
19	838596	1	* Pulley	
20	858240	1	* Coolant pipe	OBSOLETE PART
21		1	SCREW	SEE GROUP 2B
22		1	WASHER	SEE GROUP 2B
23		4	SCREW	SEE GROUP 2A

MD31A, TMD31A, TMD31B, TAM31A, TAM31B, AQAD31A, AD31A, AD31B



ALTERNATOR

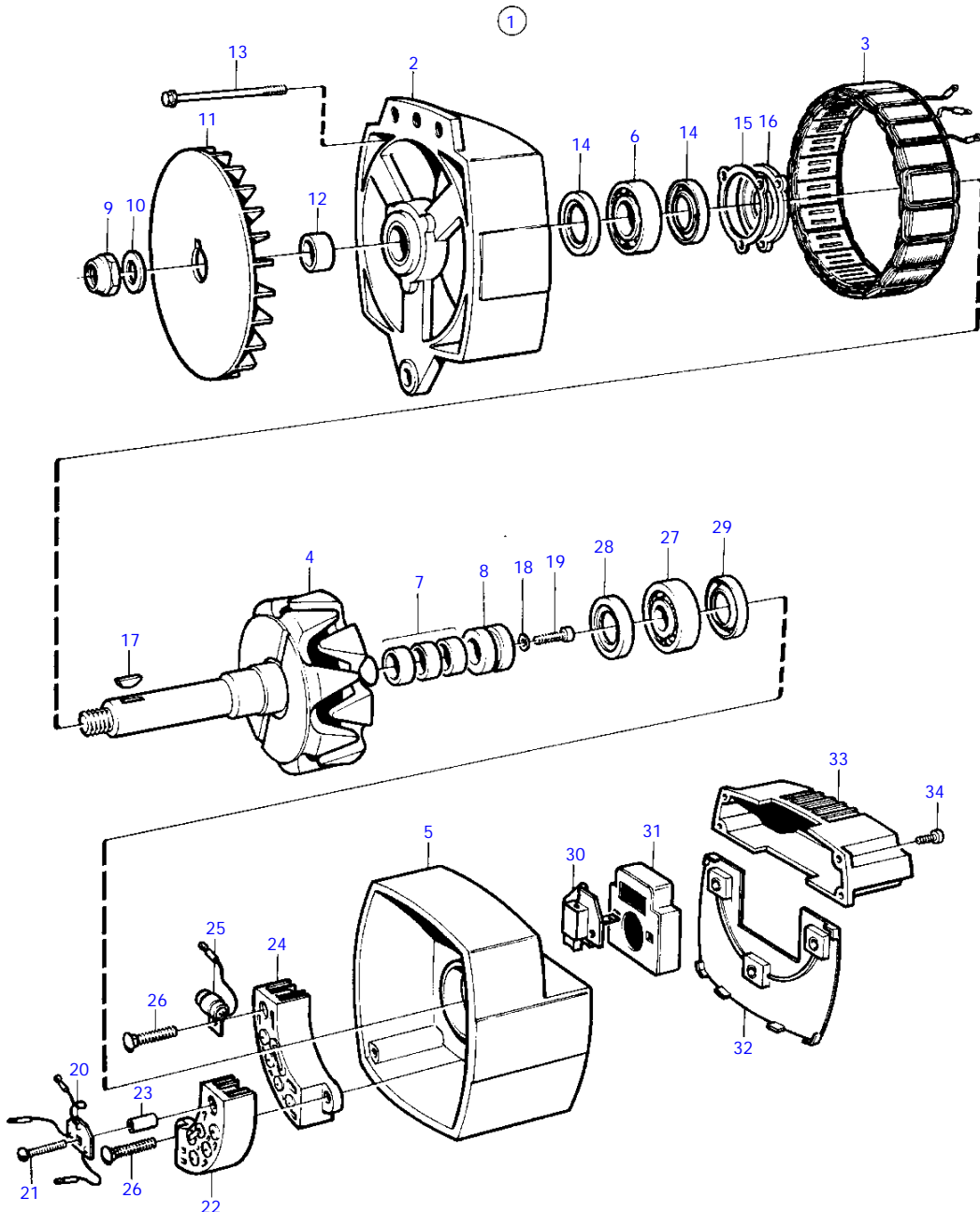
90

MD31A, TMD31A, TMD31B, TAMD31A, TAMD31B, AQAD31A, AD31A, AD31B

REF	PART NO.	QTY	DESCRIPTION	NOTES
1	849747	1	Alternator	FOR 12 VOLTAGE ELECTRIC SYSTEM.
	3803577	1	Alternator, exch	FOR 12 VOLTAGE ELECTRIC SYSTEM.
2		1	* NUT	
3		1	* WASHER	
4		1	* Fan	
5		1	*	
6	862528	1	* Rotor	OBSOLETE PART
7	862529	1	* Stator	OBSOLETE PART
8	862509	1	* Bearing	
9	862532	2	* Seal	OBSOLETE PART
10		1	*	
11	862533	1	* Bearing	OBSOLETE PART
12	862511	1	* Slip ring	(862538)
13		4	* SCREW	
14		1	* SCREW	
15		1	* SCREW	
16		1	*	
17	862534	1	* Diode	POS., OBSOLETE PART
18	862535	1	* Rectifier diode	NEG., OBSOLETE PART
19		1	* CAPACITOR	
20		1	* INSULATING PLATE	
21	862536	1	* Brush set	
22	862539	1	* Governor	
23		4	* SCREW	
24		2	* SCREW	



MD31A, TMD31A, TMD31B, TAMD31A, TAMD31B, AQAD31A, AD31A, AD31B

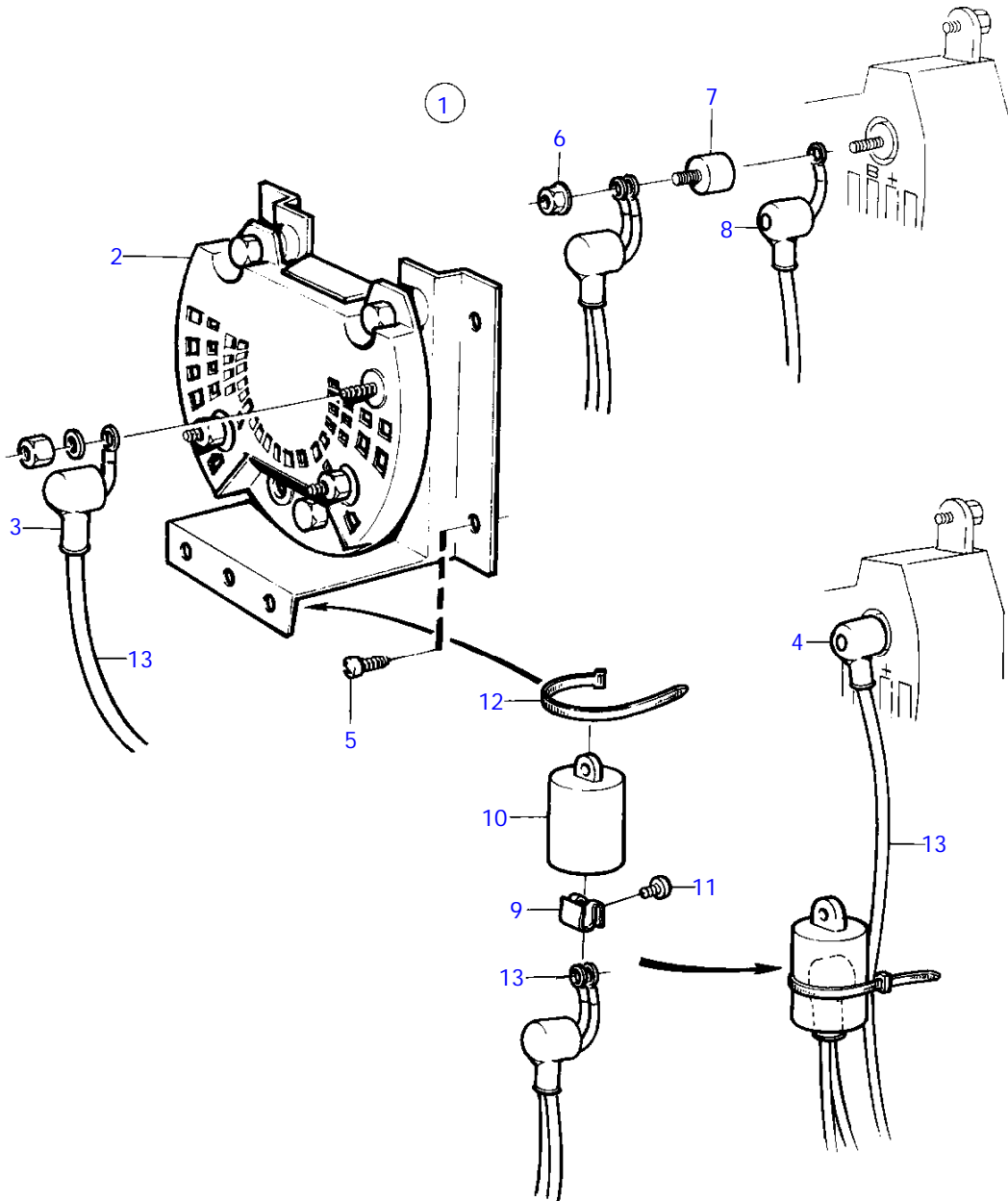


8659

MD31A, TMD31A, TMD31B, TAMD31A, TAMD31B, AQAD31A, AD31A, AD31B

REF	PART NO.	QTY	DESCRIPTION	NOTES
1	849748	1	Alternator	FOR 24 VOLTAGE ELECTRIC SYSTEM.
	3803499	1	Alternator, exch, exch	FOR 24 VOLTAGE ELECTRIC SYSTEM.
2		1	* End plate	
3	862506	1	* Stator	OBSOLETE PART
4	862507	1	* Rotor	OBSOLETE PART
5		1	* End plate	
6	862509	1	* Bearing	
7	862510	1	* Bearing	
8	862511	1	* Slip ring	
9		1	* NUT	
10		1	* WASHER	
11		1	* Fan	
12		1	* Spacer	
13		4	* SCREW	
14	862520	1	* Sealing	OBSOLETE PART
15	862521	1	* Retainer	
16		1	* Retainer	
17		1	* WOODRUFF KEY	
18		2	* WASHER	
19		1	* SCREW	
20	862512	1	* Diode	OBSOLETE PART
21		1	* SCREW	
22	862513	1	* Rectifier plate	POS., OBSOLETE PART
23		1	* SLEEVE	
24	862514	1	* Rectifier plate	NEG.
25		1	* Kit	
26		2	* SCREW	
27	862516	1	* Bearing	
28	862524	1	* Seal	OBSOLETE PART
29	862524	1	* Seal	(862525), OBSOLETE PART
30	862517	1	* Brush set	
31		1	* Cover	
32		1	* INSULATING PLATE	
33	862526	1	* Charge regulator	
34		2	* SCREW	

MD31A, TMD31A, TMD31B, TAMD31A, TAMD31B, AQAD31A, AD31A, AD31B

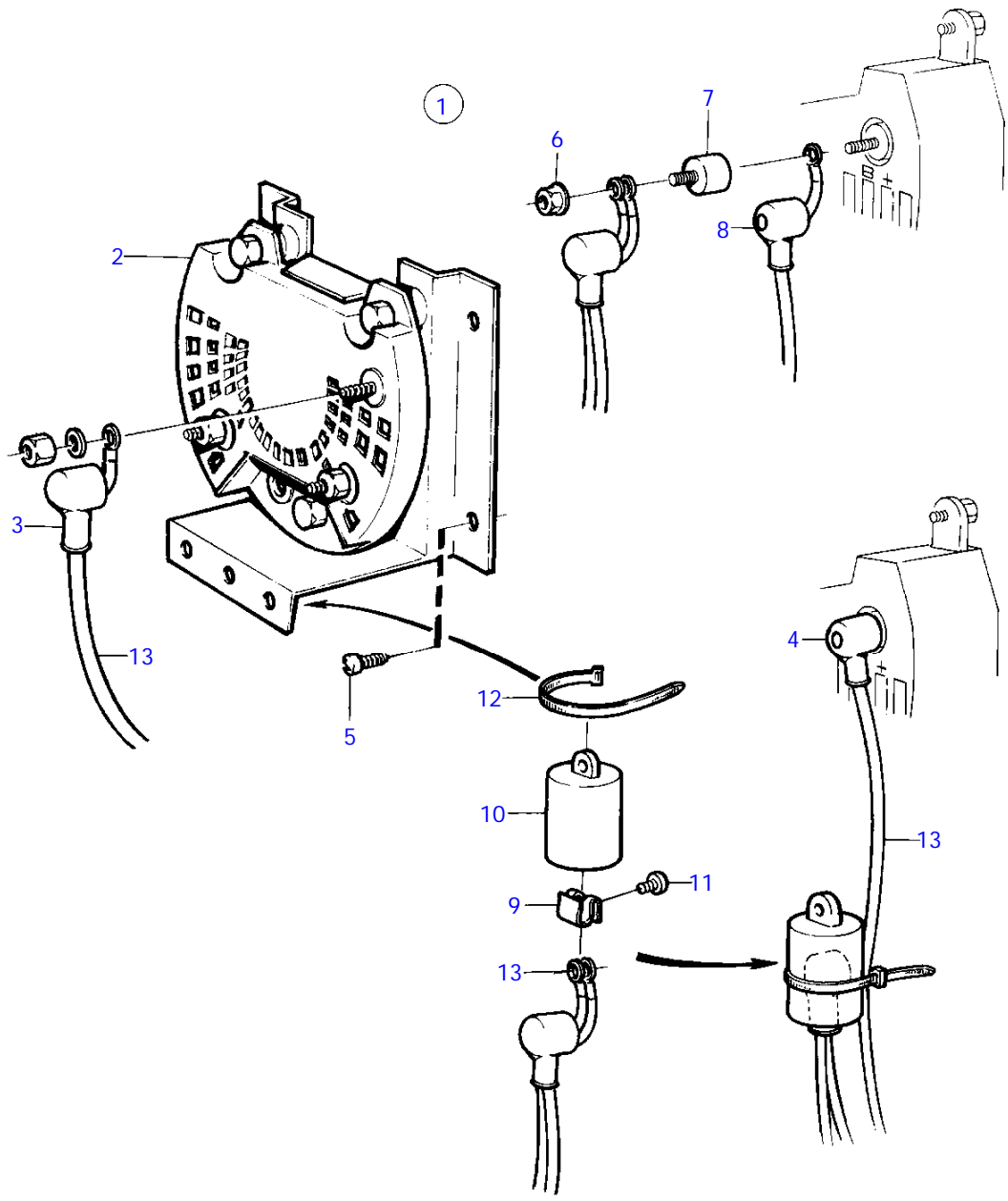


9490

MD31A, TMD31A, TMD31B, TAMD31A, TAMD31B, AQAD31A, AD31A, AD31B

REF	PART NO.	QTY	DESCRIPTION	NOTES
1	858841	1	Junction block	FOR CHARGING OF 2 BATTERIES., REPL BY 859499
2	858842	1	* Junction block	OBSOLETE PART
3	842150	3	* Protective cap	
5	828647	4	* Screw	NOT INCLUDED IN LATER VERSION OF KIT 858841
6	945407	2	* Flange nut	NOT INCLUDED IN LATER VERSION OF KIT 858841
7	862330	1	* Rubber cushion	
8	862345	1	* Protective cap	OBSOLETE PART
12		X	* STRIP CLAMP	SEE GROUP 3
13		X	* CABLES AND TERMINALS	SEE GROUP 3

MD31A, TMD31A, TMD31B, TAMD31A, TAMD31B, AQAD31A, AD31A, AD31B



9490

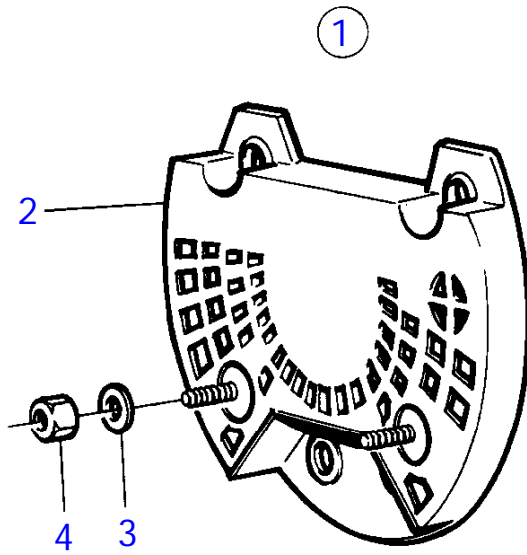


MD31A, TMD31A, TMD31B, TAMD31A, TAMD31B, AQAD31A, AD31A, AD31B

REF	PART NO.	QTY	DESCRIPTION	NOTES
1	859499	1	Junction block	FOR CHARGING OF 2 BATTERIES.
2	858842	1	* Junction block	OBSOLETE PART
3	842150	3	* Protective cap	
4	842150	1	* Protective cap	
9	859492	1	* Spring nut	
10	859493	1	* Protecting casing	
11	955126	1	* Cross recessed screw	
12		X	* STRIP CLAMP	SEE GROUP 3
13		X	* CABLES AND TERMINALS	SEE GROUP 3



MD31A, TMD31A, TMD31B, TAM31A, TAM31B, AQAD31A, AD31A, AD31B



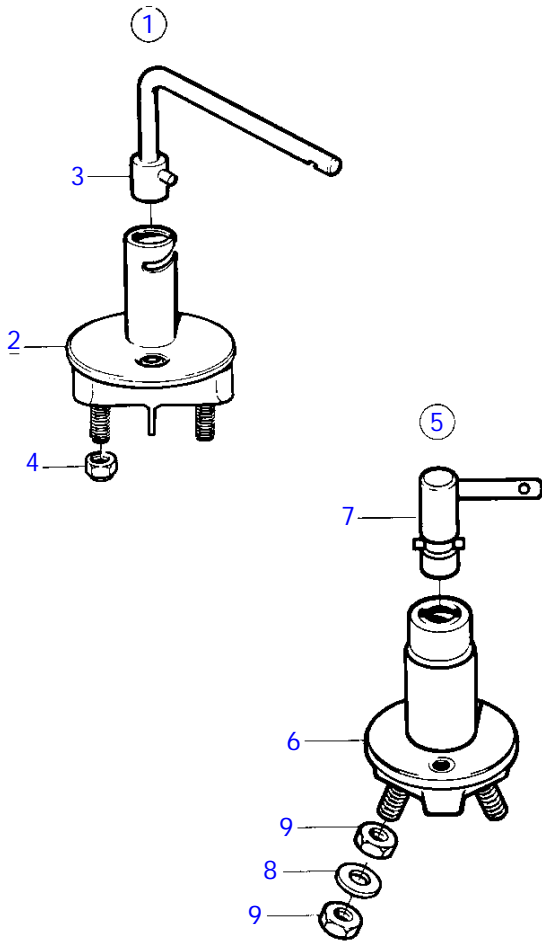
10164

MD31A, TMD31A, TMD31B, TAMD31A, TAMD31B, AQAD31A, AD31A, AD31B

REF	PART NO.	QTY	DESCRIPTION	NOTES
1	858968	1	Junction block	FOR CHARGING OF 2 BATTERIES., FOR ALTERNATORS 12V, 50A AND 24V, 55A.
2		1	* CHARGING RELAY	
3	941906	2	* Spring washer	
4	955781	2	* Hexagon nut	



MD31A, TMD31A, TMD31B, TAMD31A, TAMD31B, AQAD31A, AD31A, AD31B



9492

MAIN SWITCH

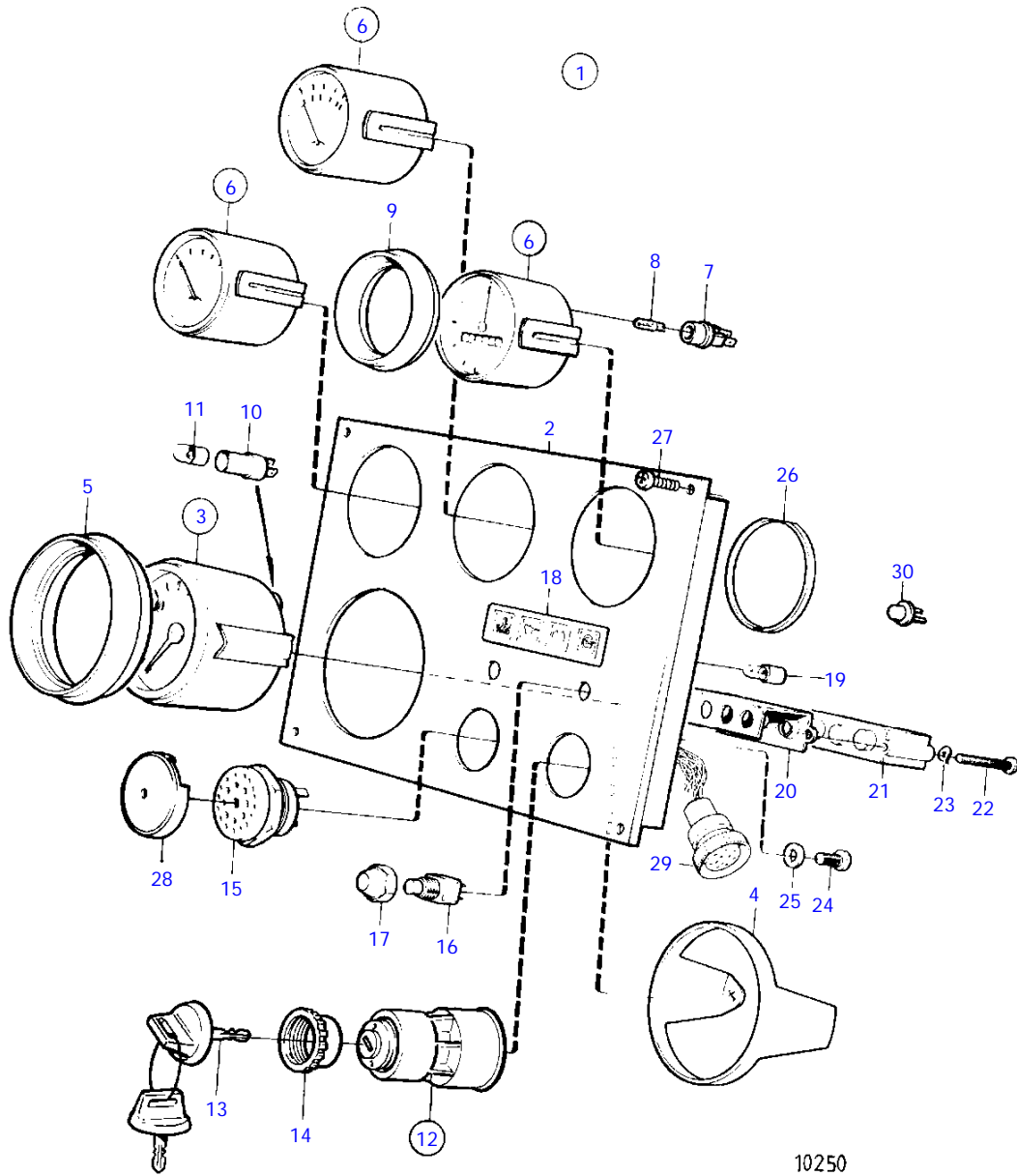
90

MD31A, TMD31A, TMD31B, TAMD31A, TAMD31B, AQAD31A, AD31A, AD31B

REF	PART NO.	QTY	DESCRIPTION
1	870980	1	Main switch
2		1	* SWITCH
3	243700	1	* Handle
4	955783	2	* Hexagon nut
5	1140319	1	Battery main switch
6		1	* SWITCH
7	1140427	1	* Cock handle
8	1140428	2	* Washer
9	17602	4	* Hexagon nut



MD31A, TMD31A, TMD31B, TAMD31A, TAMD31B, AQAD31A, AD31A, AD31B



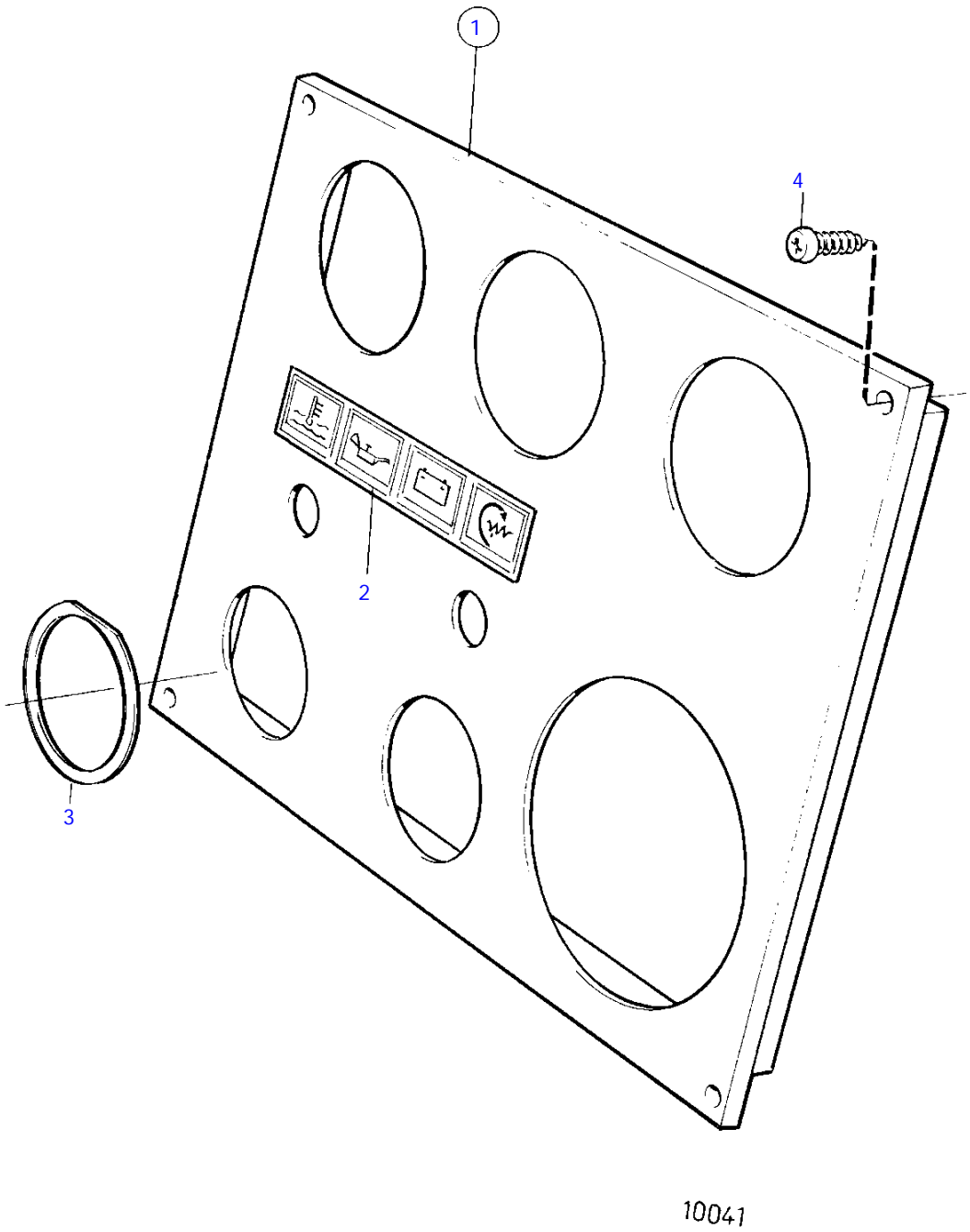
10250

MD31A, TMD31A, TMD31B, TAMD31A, TAMD31B, AQAD31A, AD31A, AD31B

REF	PART NO.	QTY	DESCRIPTION	SEE SEC.	NOTES
1	864042	1	Instrument panel		12V
2		1	* Instrument panel		
3	864022	1	* Tachometer		
4	849523	1	* Attaching ring		
5	858644	1	* Front ring		
6	863932	1	* Thermometer		
	863934	1	* Manometer		
	863930	1	* Voltmeter		
7	863945	3	* Lamp socket		
8	863946	3	* Bulb		
9	858643	3	* Front ring		
10	808175	1	* Lamp socket		
11	19923	1	* Bulb		
12	864277	1	* Starter switch		
13	859953	2	* Key		STATE KEY CODE WHEN ORDERING.
			Bulletin 49-30	49-30-EN	Key P/N 859953
14	859955	1	* Plastic nut		
15	828587	1	* Buzzer		
16	828584	1	* Toggle switch		TEST ALARM
17	828585	1	* Toggle switch		LIGHTING
18	858645	1	* Symbol strip		
19	19923	4	* Bulb		
20	828784	1	* Reflector		
21	828783	1	* Electronic unit		
22	941615	2	* Cross recessed screw		
23	941904	2	* Spring washer		
24	949947	1	* Cross recessed screw		
25	941904	1	* Spring washer		
26	828803	3	* Guide ring		
27	828647	4	* Screw		
28	858795	1	* Protecting casing		
29	859050	1	* Cable kit		
30	1518870	1	* Diode		



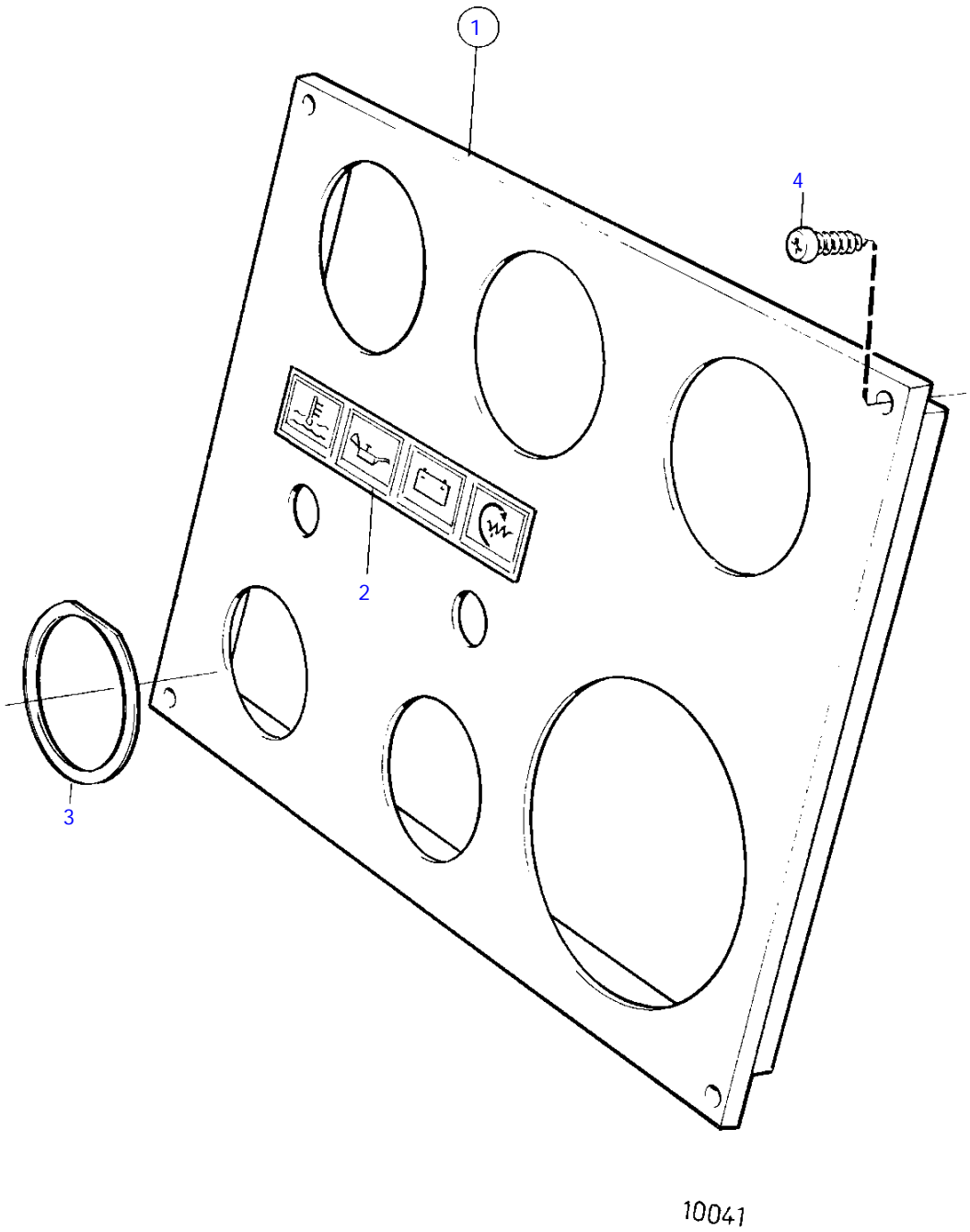
MD31A, TMD31A, TMD31B, TAMD31A, TAMD31B, AQAD31A, AD31A, AD31B



MD31A, TMD31A, TMD31B, TAMD31A, TAMD31B, AQAD31A, AD31A, AD31B

REF	PART NO.	QTY	DESCRIPTION	NOTES
1	858875	1	Instrument panel	MIRROR-INVERTED, FOR TWIN INSTALLATION., WHITE COLOURED DECOR STRIPE., REPL BY 860184
2	858645	1	* Symbol strip	
4	828647	4	Screw	

MD31A, TMD31A, TMD31B, TAM31A, TAM31B, AQAD31A, AD31A, AD31B

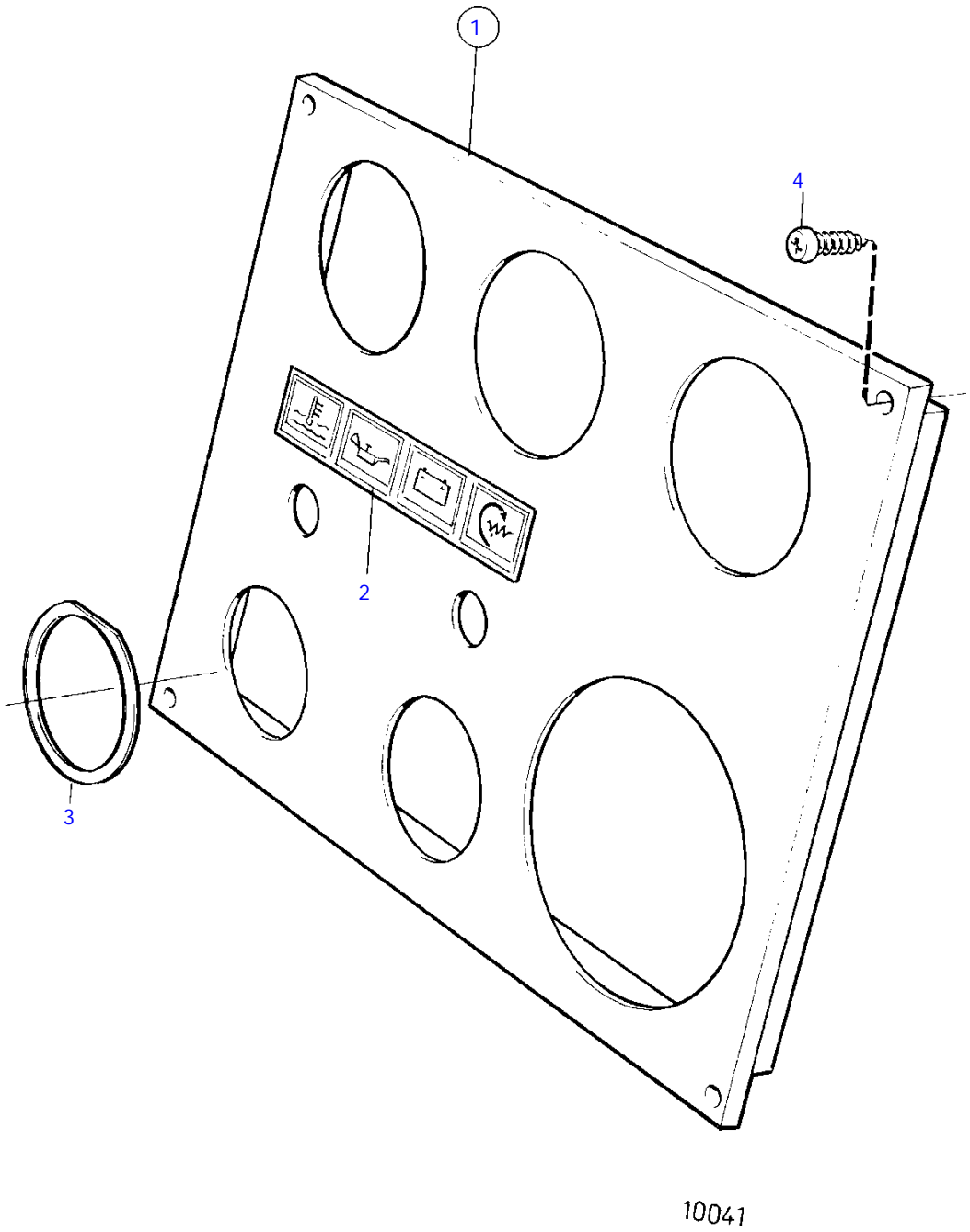


10041

MD31A, TMD31A, TMD31B, TAMD31A, TAMD31B, AQAD31A, AD31A, AD31B

REF	PART NO.	QTY	DESCRIPTION	NOTES
1	828780	1	Instrument panel	MIRROR-INVERTED, FOR TWIN INSTALLATION., GOLD COLOURED DECOR STRIPE., REPL BY 860184
2	828560	1	* Symbol strip	REPL BY 858645
	858645	1	* Symbol strip	
4	828647	4	Screw	

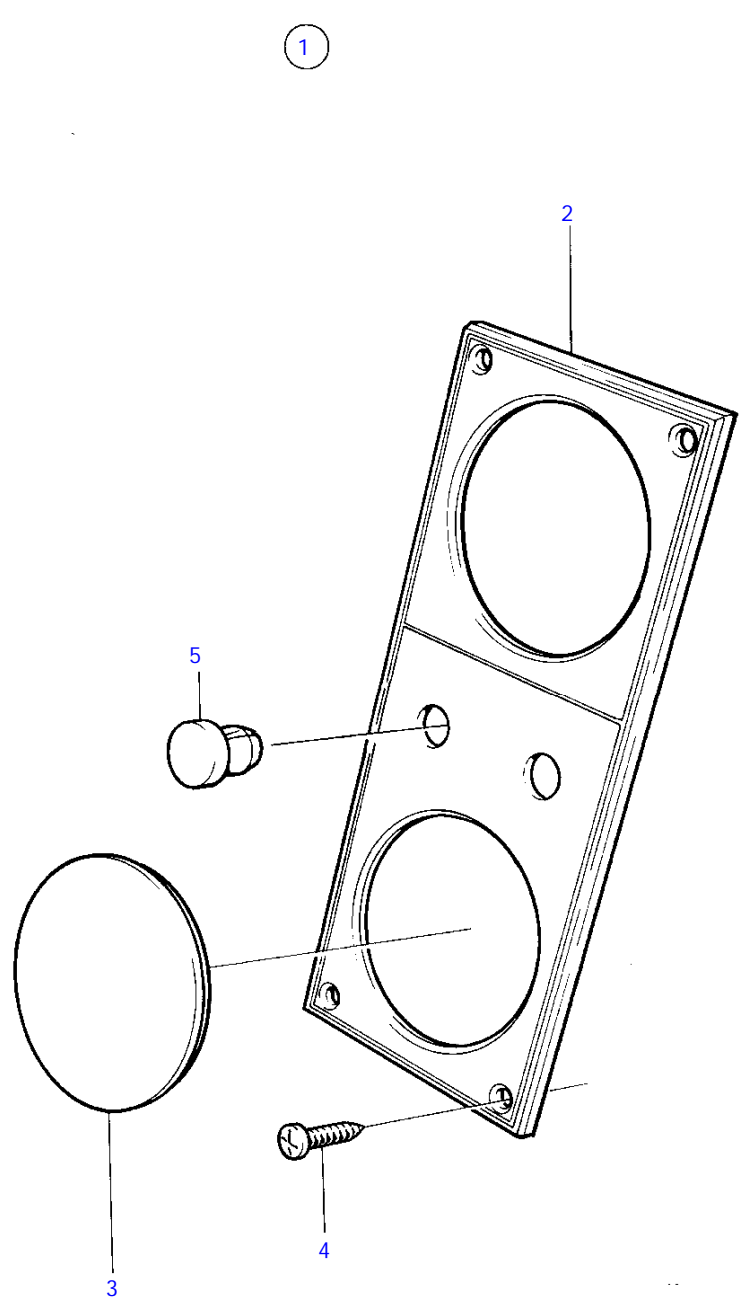
MD31A, TMD31A, TMD31B, TAMD31A, TAMD31B, AQAD31A, AD31A, AD31B



MD31A, TMD31A, TMD31B, TAMD31A, TAMD31B, AQAD31A, AD31A, AD31B

REF	PART NO.	QTY	DESCRIPTION	NOTES
1	860184	1	Instrument panel	MIRROR-INVERTED, FOR TWIN INSTALLATION., WHITE COLOURED DECOR STRIPE.
2	858645	1	* Symbol strip	
3		1	* MARKING LABEL	
4	828647	4	Screw	

MD31A, TMD31A, TMD31B, TAMD31A, TAMD31B, AQAD31A, AD31A, AD31B

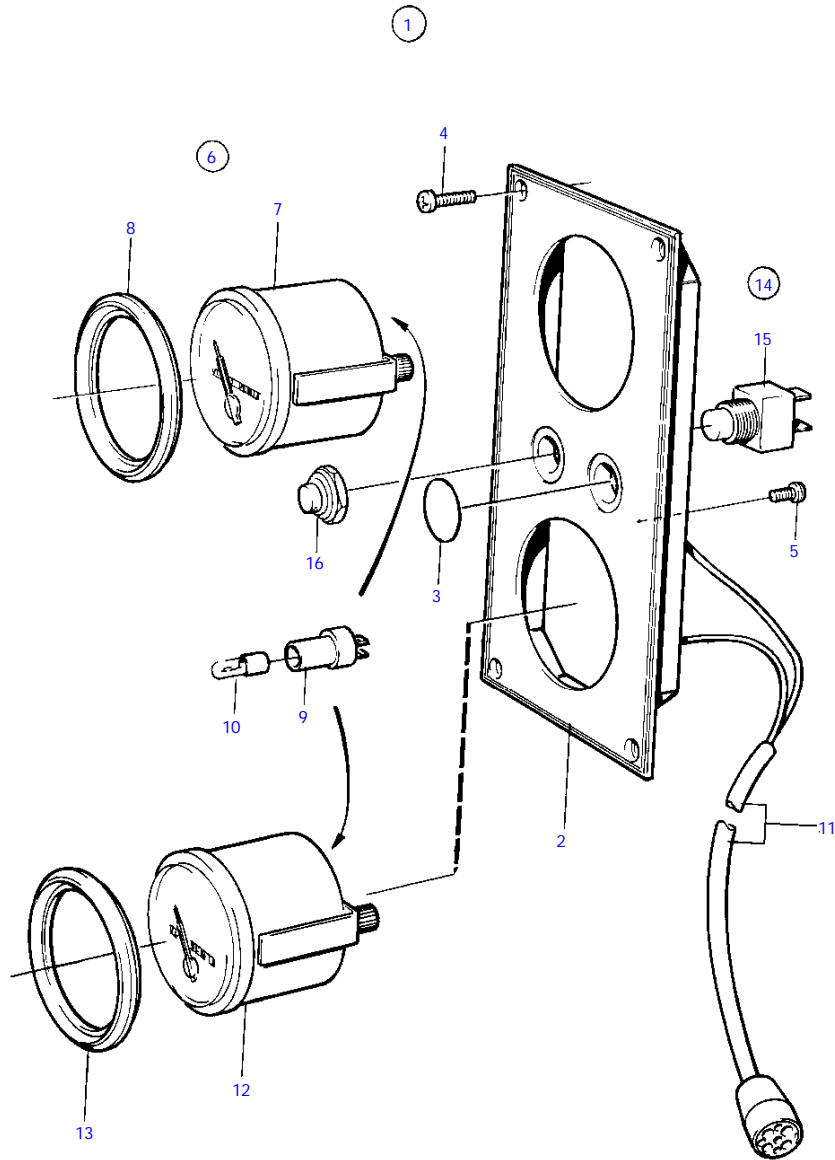


5371

MD31A, TMD31A, TMD31B, TAMD31A, TAMD31B, AQAD31A, AD31A, AD31B

REF	PART NO.	QTY	DESCRIPTION	NOTES
1	843604	1	Instrument panel	OBSOLETE PART
2	837539	1	* Instrument plate	OBSOLETE PART
3	842659	1	* Cover washer	OBSOLETE PART
4	944540	4	* Screw	
5	845071	2	* Plug	

MD31A, TMD31A, TMD31B, TAMD31A, TAMD31B, AQAD31A, AD31A, AD31B

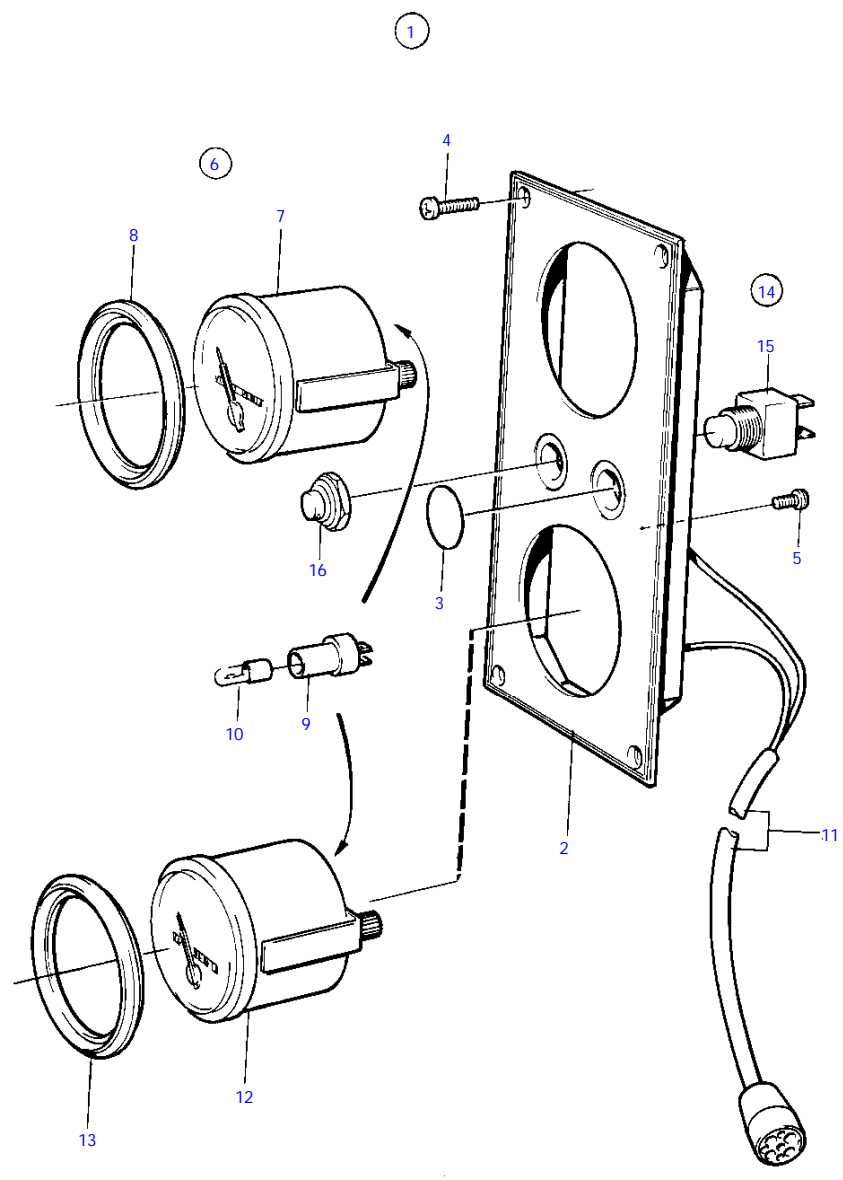


6709

MD31A, TMD31A, TMD31B, TAMD31A, TAMD31B, AQAD31A, AD31A, AD31B

REF	PART NO.	QTY	DESCRIPTION	NOTES
1	846786	1	Instrument panel	REPL BY 858874
2	858874	1	* Instrument panel	(828604), OBSOLETE PART
3	828607	2	* Cover plate	
4	828647	4	* Screw	
5	949947	1	* Cross recessed screw	(966832)
12		1	INSTRUMENT	
13	828542	1	Front ring	GOLD COLOURED DECOR STRIPE., REPL BY 858643
	858643	1	Front ring	WHITE COLOURED DECOR STRIPE.
14	828718	1	Toggle switch	
	828719	1	Toggle switch	
15	828584	1	* Toggle switch	CLOSING DURING PRESSURE AND SPRING-LOADED., TO 828718
	828585	1	* Toggle switch	CLOSING-BREAKING., TO 828719
16	828586	1	* Nut	

MD31A, TMD31A, TMD31B, TAMD31A, TAMD31B, AQAD31A, AD31A, AD31B



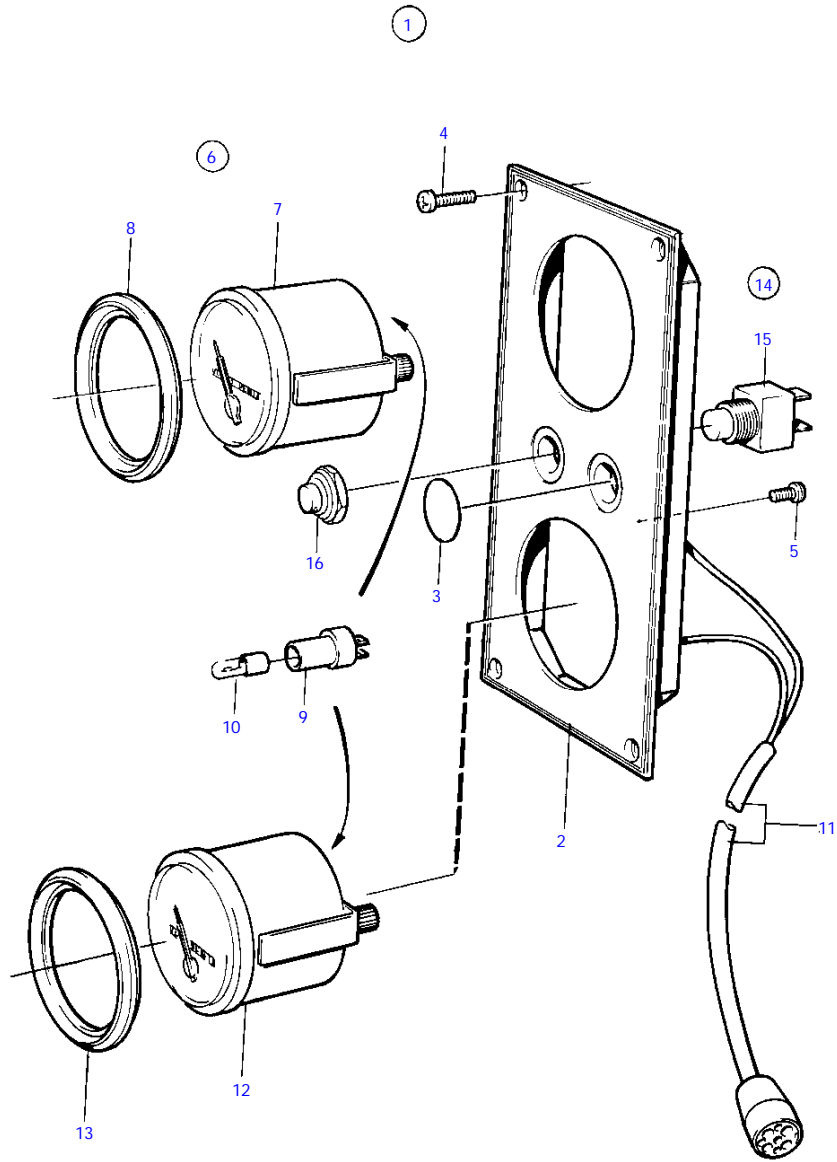
6709



MD31A, TMD31A, TMD31B, TAMD31A, TAMD31B, AQAD31A, AD31A, AD31B

REF	PART NO.	QTY	DESCRIPTION	NOTES
1	858874	1	Instrument panel	OBSOLETE PART
2	858650	1	* Instrument panel	OBSOLETE PART
3	828607	2	* Cover plate	
4	828647	4	* Screw	
5	949947	1	* Cross recessed screw	(966832)
12		1	INSTRUMENT	
13	828542	1	Front ring	GOLD COLOURED DECOR STRIPE., REPL BY 858643
	858643	1	Front ring	WHITE COLOURED DECOR STRIPE.
14	828718	1	Toggle switch	
	828719	1	Toggle switch	
15	828584	1	* Toggle switch	CLOSING DURING PRESSURE AND SPRING-LOADED., TO 828718
	828585	1	* Toggle switch	CLOSING-BREAKING., TO 828719
16	828586	1	* Nut	

MD31A, TMD31A, TMD31B, TAMD31A, TAMD31B, AQAD31A, AD31A, AD31B

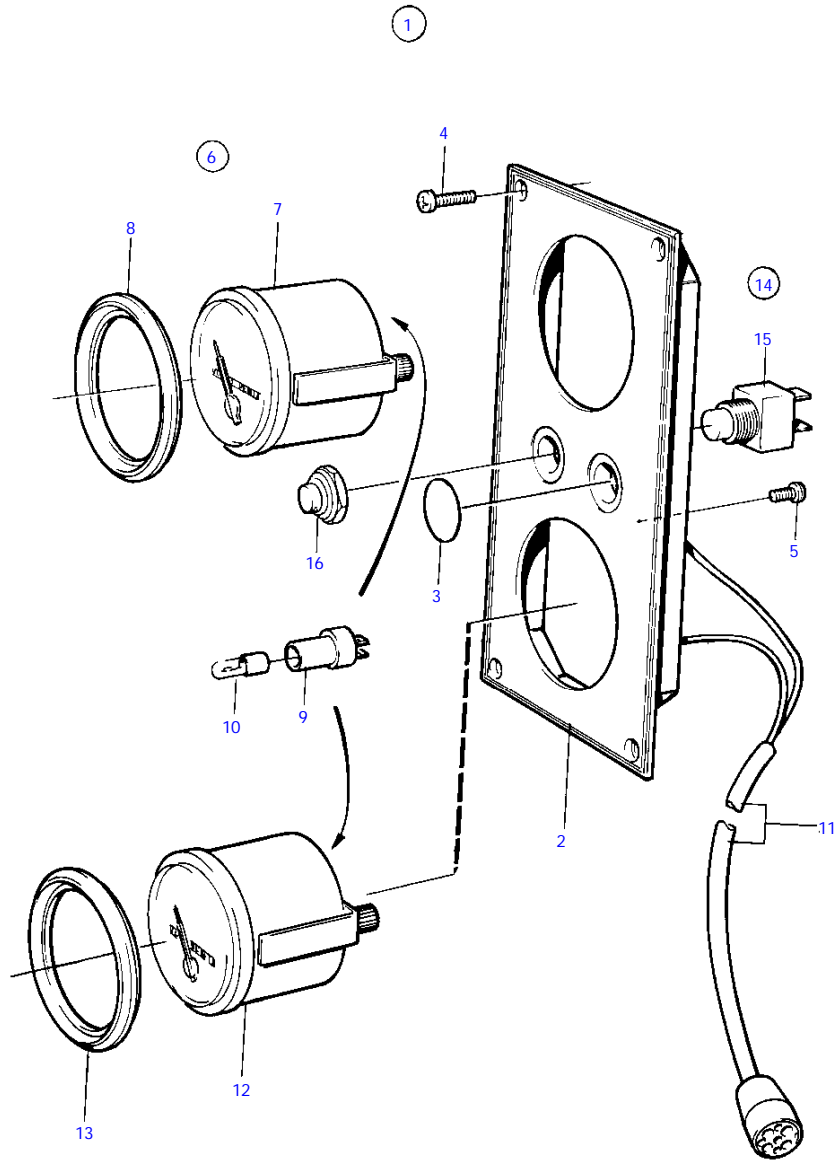


6709

MD31A, TMD31A, TMD31B, TAMD31A, TAMD31B, AQAD31A, AD31A, AD31B

REF	PART NO.	QTY	DESCRIPTION	NOTES
6	828711	1	Hour counter kit	REPL BY 858877
7	828615	1	* Hour counter	
8	828542	1	* Front ring	GOLD COLOURED DECOR STRIPE., REPL BY 858643
	858643	1	* Front ring	WHITE COLOURED DECOR STRIPE.
9	808175	1	* Lamp socket	
10	19923	1	* Bulb	12V
	182059	1	* Bulb	24V
11		X	* CABLES AND TERMINALS	SEE GROUP 3
12		1	INSTRUMENT	
13	828542	1	Front ring	GOLD COLOURED DECOR STRIPE., REPL BY 858643
	858643	1	Front ring	WHITE COLOURED DECOR STRIPE.
14	828718	1	Toggle switch	
	828719	1	Toggle switch	
15	828584	1	* Toggle switch	CLOSING DURING PRESSURE AND SPRING-LOADED., TO 828718
	828585	1	* Toggle switch	CLOSING-BREAKING., TO 828719
16	828586	1	* Nut	

MD31A, TMD31A, TMD31B, TAMD31A, TAMD31B, AQAD31A, AD31A, AD31B

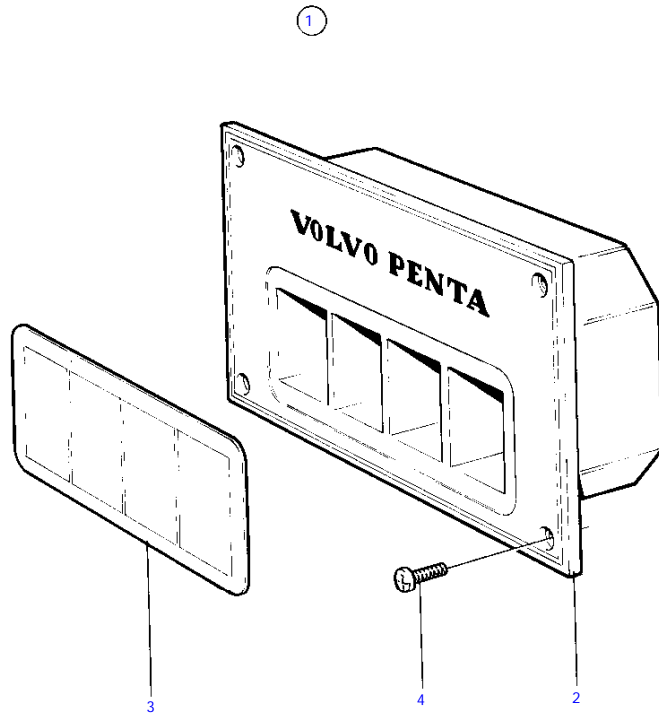


6709

MD31A, TMD31A, TMD31B, TAMD31A, TAMD31B, AQAD31A, AD31A, AD31B

REF	PART NO.	QTY	DESCRIPTION	NOTES
6	858877	1	Hour counter kit	
7	828615	1	* Hour counter	
8	858643	1	* Front ring	WHITE COLOURED DECOR STRIPE.
9	808175	1	* Lamp socket	
10	19923	1	* Bulb	12V
	182059	1	* Bulb	24V
11		X	* CABLES AND TERMINALS	SEE GROUP 3
12		1	INSTRUMENT	
13	858643	1	Front ring	WHITE COLOURED DECOR STRIPE.
14	828718	1	Toggle switch	
	828719	1	Toggle switch	
15	828584	1	* Toggle switch	CLOSING DURING PRESSURE AND SPRING-LOADED., TO 828718
	828585	1	* Toggle switch	CLOSING-BREAKING., TO 828719
16	828586	1	* Nut	

MD31A, TMD31A, TMD31B, TAMD31A, TAMD31B, AQAD31A, AD31A, AD31B

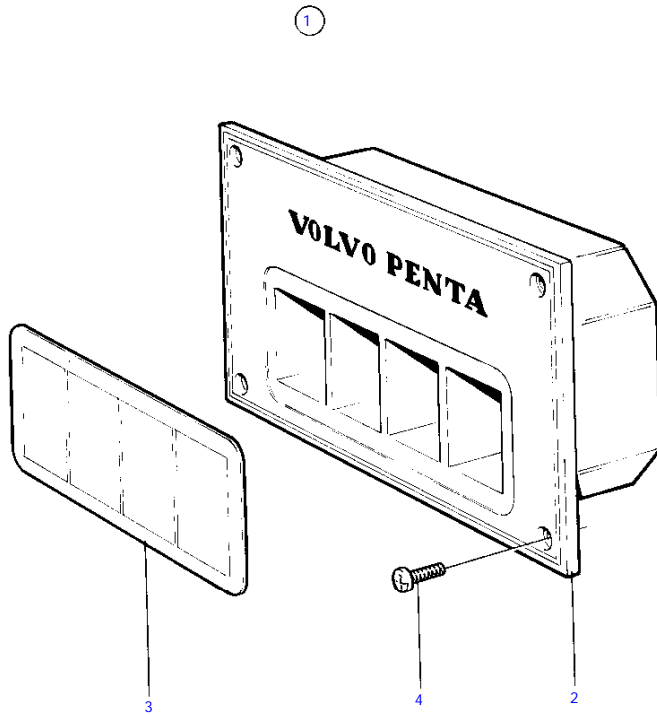


6710

MD31A, TMD31A, TMD31B, TAMD31A, TAMD31B, AQAD31A, AD31A, AD31B

REF	PART NO.	QTY	DESCRIPTION	NOTES
1	846787	1	Instrument panel, INSTRUMENT PANEL	GOLD COLOURED DECOR STRIPE. REPL BY 858876
2		1	* PANEL	
3	828560	1	* Symbol strip	REPL BY 858645
	858645	1	* Symbol strip	
4	828647	4	* Screw	

MD31A, TMD31A, TMD31B, TAMD31A, TAMD31B, AQAD31A, AD31A, AD31B



6710

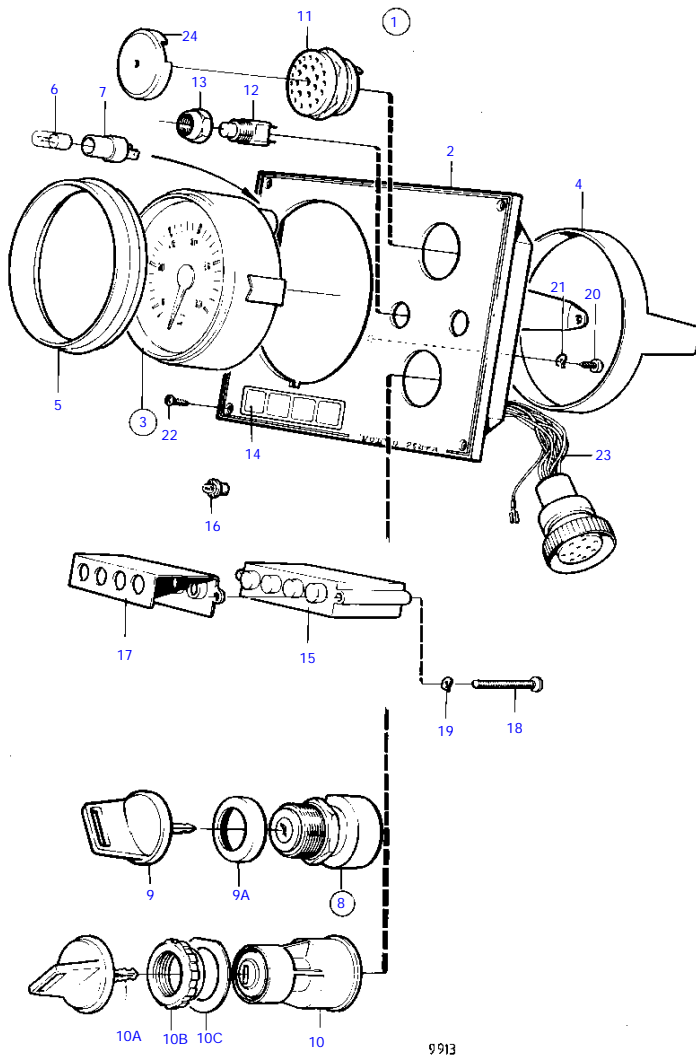
MD31A, TMD31A, TMD31B, TAMD31A, TAMD31B, AQAD31A, AD31A, AD31B

REF	PART NO.	QTY	DESCRIPTION	NOTES
1	858876	1	Symbol panel	WHITE COLOURED DECOR STRIPE.
2		1	* PANEL	
3	858645	1	* Symbol strip	
4	828647	4	* Screw	

MD31A, TMD31A, TMD31B, TAMD31A, TAMD31B, AQAD31A, AD31A, AD31B

REF	PART NO.	QTY	DESCRIPTION	SEE SEC.	NOTES
1	838810	1	Instrument panel		GOLD COLOURED DECOR STRIPE., 12V REPL BY 858868
2	828583	1	* Instrument panel		REPL BY 858646
	858646	1	* Instrument panel		REPL BY 860183
	860183	1	* Instrument panel		
3	838811	1	* Tachometer		
4	828558	1	* * Attaching ring		
5	828559	1	* Front ring		REPL BY 858644
	858644	1	* Front ring		
6	19923	1	* Bulb		
7	808175	1	* Lamp socket		
8	828778	1	* Starter switch		REPL BY 864277
9	828676	2	* * Key		STATE KEY CODE WHEN ORDERING., OBSOLETE PART
			Bulletin P-36-4-1	P-36-4-1-EN	Deleted Part No's for Keys
9A	1581184	1	* Round nut		
10	864277	1	* Starter switch		
10A	859953	2	* * Key		STATE KEY CODE WHEN ORDERING.
			Bulletin 49-30	49-30-EN	Key P/N 859953
10B	859955	1	* * Plastic nut		
10C	860086	1	* * Marking label		
11	828587	1	* Buzzer		
12	828584	1	* Toggle switch		ALARM
	828585	1	* Toggle switch		LIGHTING
13	828586	2	* Nut		
14	828560	1	* Symbol strip		REPL BY 858645
	858645	1	* Symbol strip		
15	828783	1	* Electronic unit		
16	19923	4	* Bulb		
17	828784	1	* Reflector		
18	941615	2	* Cross recessed screw		
19	941904	2	* Spring washer		
20	949947	1	* Cross recessed screw		
21	941904	1	* Spring washer		
22	828647	4	* Screw		
24	858795	1	* Protecting casing		

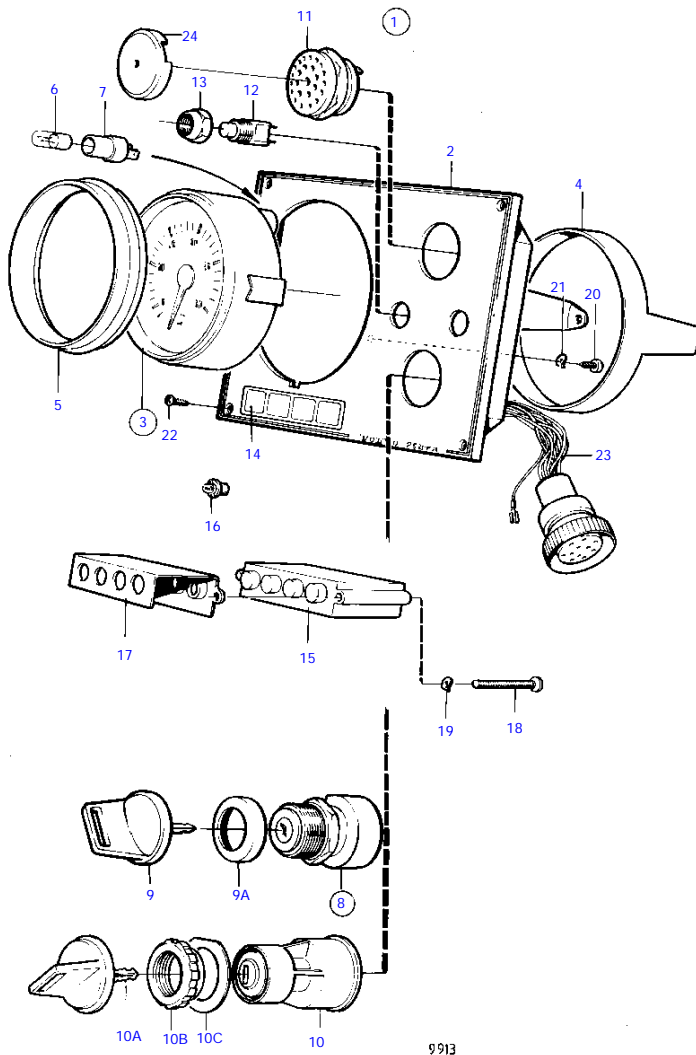
MD31A, TMD31A, TMD31B, TAMD31A, TAMD31B, AQAD31A, AD31A, AD31B



MD31A, TMD31A, TMD31B, TAMD31A, TAMD31B, AQAD31A, AD31A, AD31B

REF	PART NO.	QTY	DESCRIPTION	SEE SEC.	NOTES
1	858868	1	Instrument panel		WHITE COLOURED DECOR STRIPE., 12V REPL BY 864043
2	858646	1	* Instrument panel		REPL BY 860183
	860183	1	* Instrument panel		
3	838811	1	* Tachometer		
4	828558	1	* • Attaching ring		
5	858644	1	* Front ring		
6	19923	1	* Bulb		
7	808175	1	* Lamp socket		
8	828778	1	* Starter switch		REPL BY 864277
9	828676	2	* • Key		STATE KEY CODE WHEN ORDERING., OBSOLETE PART
			Bulletin P-36-4-1	P-36-4-1-EN	Deleted Part No's for Keys
9A	1581184	1	* Round nut		
10	864277	1	* Starter switch		
10A	859953	2	* • Key		STATE KEY CODE WHEN ORDERING.
			Bulletin 49-30	49-30-EN	Key P/N 859953
10B	859955	1	* • Plastic nut		
10C	860086	1	* • Marking label		
11	828587	1	* Buzzer		
12	828584	1	* Toggle switch		ALARM
	828585	1	* Toggle switch		LIGHTING
13	828586	2	* Nut		
14	858645	1	* Symbol strip		
15	828783	1	* Electronic unit		
16	19923	4	* Bulb		
17	828784	1	* Reflector		
18	941615	2	* Cross recessed screw		
19	941904	2	* Spring washer		
20	949947	1	* Cross recessed screw		
21	941904	1	* Spring washer		
22	828647	4	* Screw		
23	828648	1	* Cable kit		
24	858795	1	* Protecting casing		

MD31A, TMD31A, TMD31B, TAMD31A, TAMD31B, AQAD31A, AD31A, AD31B



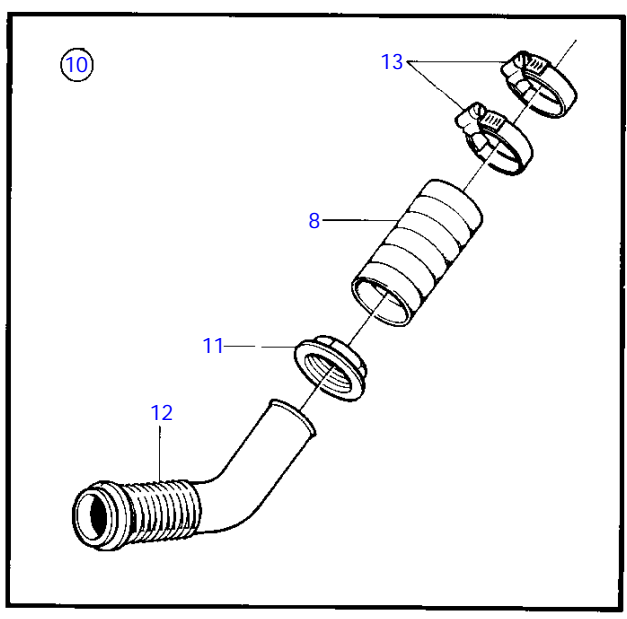
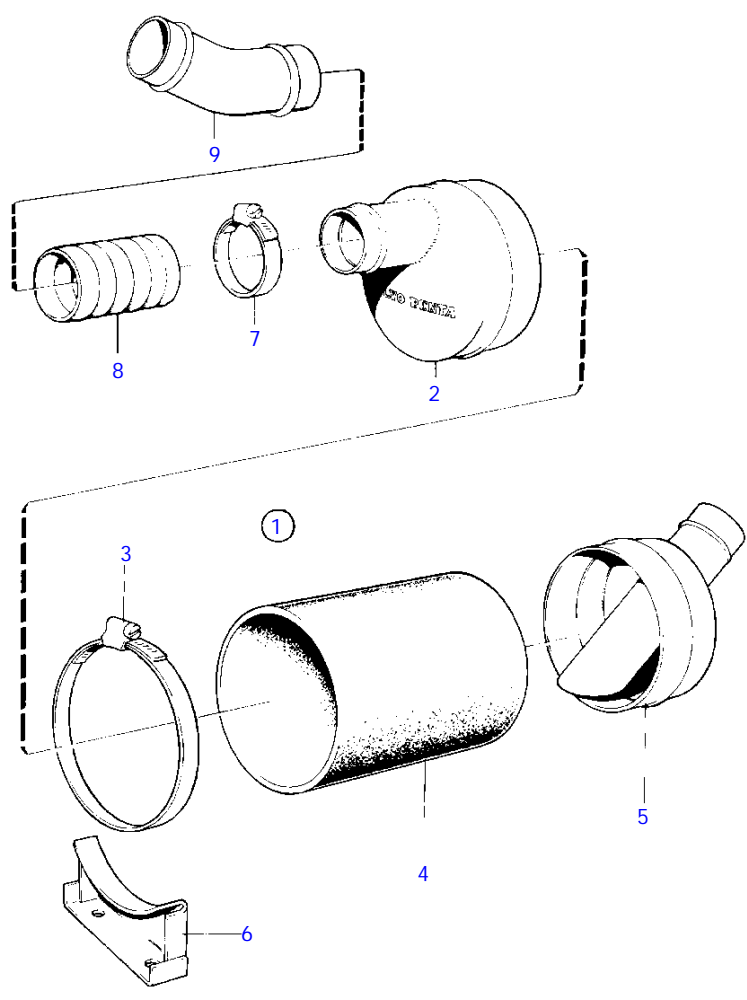
MD31A, TMD31A, TMD31B, TAMD31A, TAMD31B, AQAD31A, AD31A, AD31B

REF	PART NO.	QTY	DESCRIPTION	SEE SEC.	NOTES
1	864043	1	Instrument panel		WHITE COLOURED DECOR STRIPE., 12V
2	860183	1	* Instrument panel		
3	838811	1	* Tachometer		
4	828558	1	* • Attaching ring		
5	858644	1	* Front ring		
6	19923	1	* Bulb		
7	808175	1	* Lamp socket		
10	864277	1	* Starter switch		
10A	859953	2	* • Key		STATE KEY CODE WHEN ORDERING.
			Bulletin 49-30	49-30-EN	Key P/N 859953
10B	859955	1	* • Plastic nut		
10C	860086	1	* • Marking label		
11	828587	1	* Buzzer		
12	828584	1	* Toggle switch		ALARM
	828585	1	* Toggle switch		LIGHTING
13	828586	2	* Nut		
14	858645	1	* Symbol strip		
15	828783	1	* Electronic unit		
16	19923	4	* Bulb		
17	828784	1	* Reflector		
18	941615	2	* Cross recessed screw		
19	941904	2	* Spring washer		
20	949947	1	* Cross recessed screw		
21	941904	1	* Spring washer		
22	828647	4	* Screw		
23	828648	1	* Cable kit		
24	858795	1	* Protecting casing		



90 WATER COOLED EXHAUST MUFFLER WITH INSTALLATION COMPONENTS

MD31A

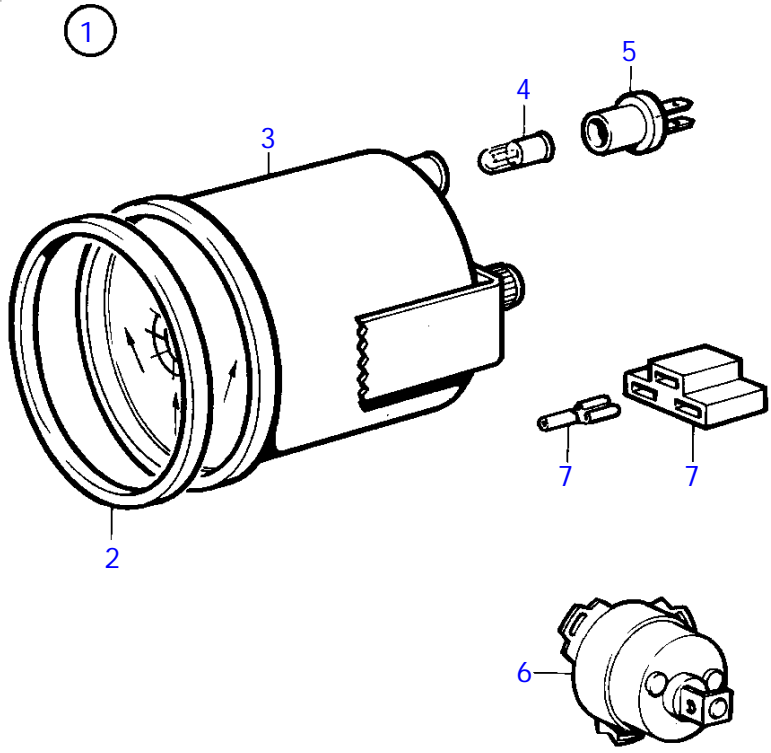


MD31A

REF	PART NO.	QTY	DESCRIPTION
1	838327	1	Muffler
2		1	* COVER
3	961678	4	* Hose clamp
4	828060	1	* Exhaust hose
5		1	* COVER
6	828061	2	* Retainer
7	961673	X	Hose clamp
8	828465	X	Exhaust hose
9	828255	1	Riser
10	831781	1	Hull fitting
11	827876	1	Nut
12	828695	1	Hull fitting
13	961673	4	Hose clamp



MD31A, TMD31A, TMD31B, TAMD31A, TAMD31B



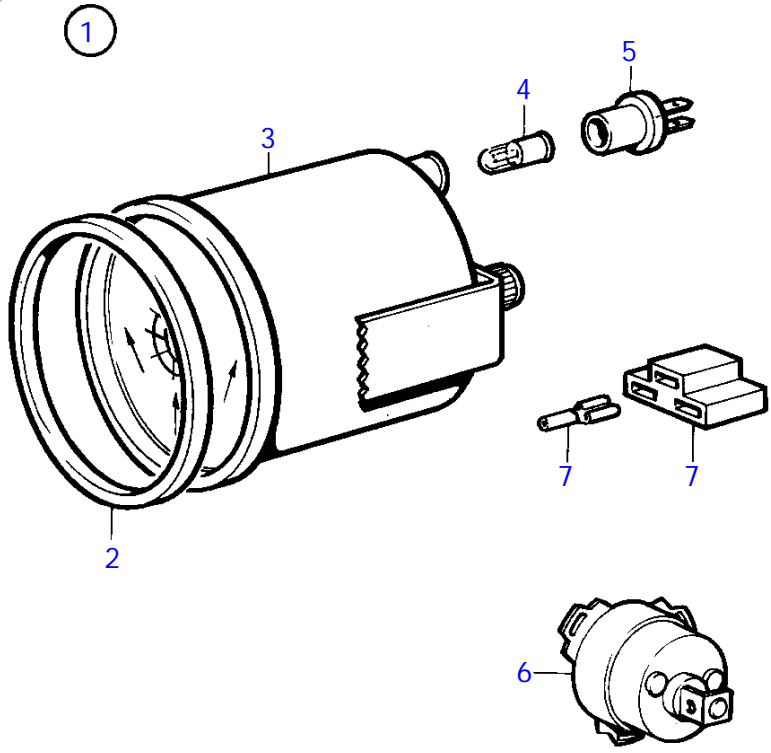
10036



MD31A, TMD31A, TMD31B, TAMD31A, TAMD31B

REF	PART NO.	QTY	DESCRIPTION	NOTES
1	858884	1	Rudder indicator kit	WHITE COLOURED DECOR STRIPE.
2	858643	1	* Front ring	WHITE COLOURED DECOR STRIPE.
3	863944	1	* Rudder indicator	(828698)
4	863946	1	* • Bulb	FOR RUDDER INDICATOR INSTRUMENTS WITH PART NO 828698 SHOULD BULB 19923 AND BULB HOLDER 808175 BE INSTALLED, RED WHITE
5	863945	1	* • Lamp socket	FOR RUDDER INDICATOR INSTRUMENTS WITH PART NO 828698 SHOULD BULB 19923 AND BULB HOLDER 808175 BE INSTALLED WHITE
6	837772	1	* Position sensor	
7		X	* CABLES AND TERMINALS	SEE GROUP 3

MD31A, TMD31A, TMD31B, TAMD31A, TAMD31B



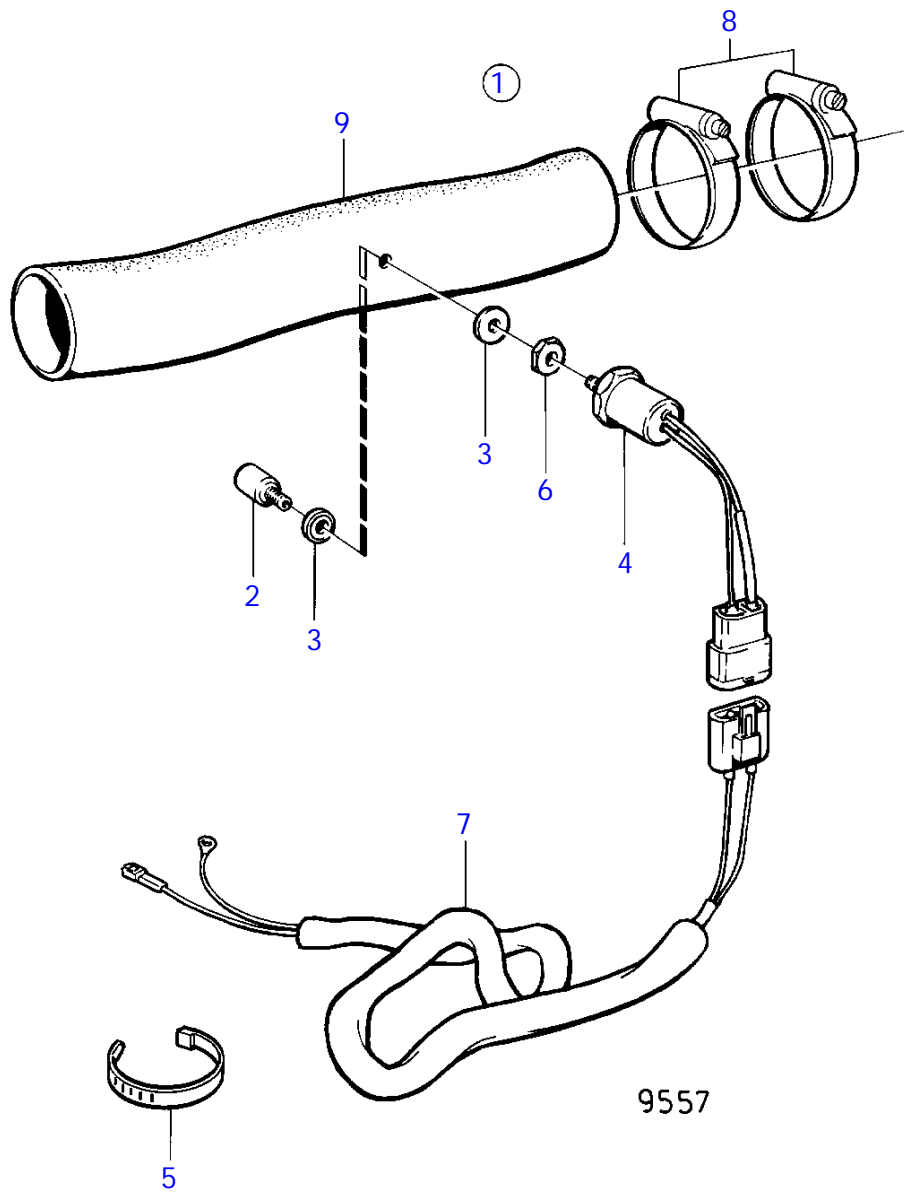
10036

MD31A, TMD31A, TMD31B, TAMD31A, TAMD31B

REF	PART NO.	QTY	DESCRIPTION	NOTES
1	840789	1	Rudder indicator kit	GOLD COLOURED DECOR STRIPE., REPL BY 858886
2	828542	1	* Front ring	GOLD COLOURED DECOR STRIPE., REPL BY 858643
	858643	1	* Front ring	WHITE COLOURED DECOR STRIPE.
3	863944	1	* Rudder indicator	(828698)
4	863946	1	* • Bulb	FOR RUDDER INDICATOR INSTRUMENTS WITH PART NO 828698 SHOULD BULB 19923 AND BULB HOLDER 808175 BE INSTALLED, RED WHITE
5	863945	1	* • Lamp socket	FOR RUDDER INDICATOR INSTRUMENTS WITH PART NO 828698 SHOULD BULB 19923 AND BULB HOLDER 808175 BE INSTALLED WHITE
6	837772	1	* Position sensor	
7		X	* CABLES AND TERMINALS	SEE GROUP 3



MD31A, TMD31A, TMD31B, TAMD31A, TAMD31B

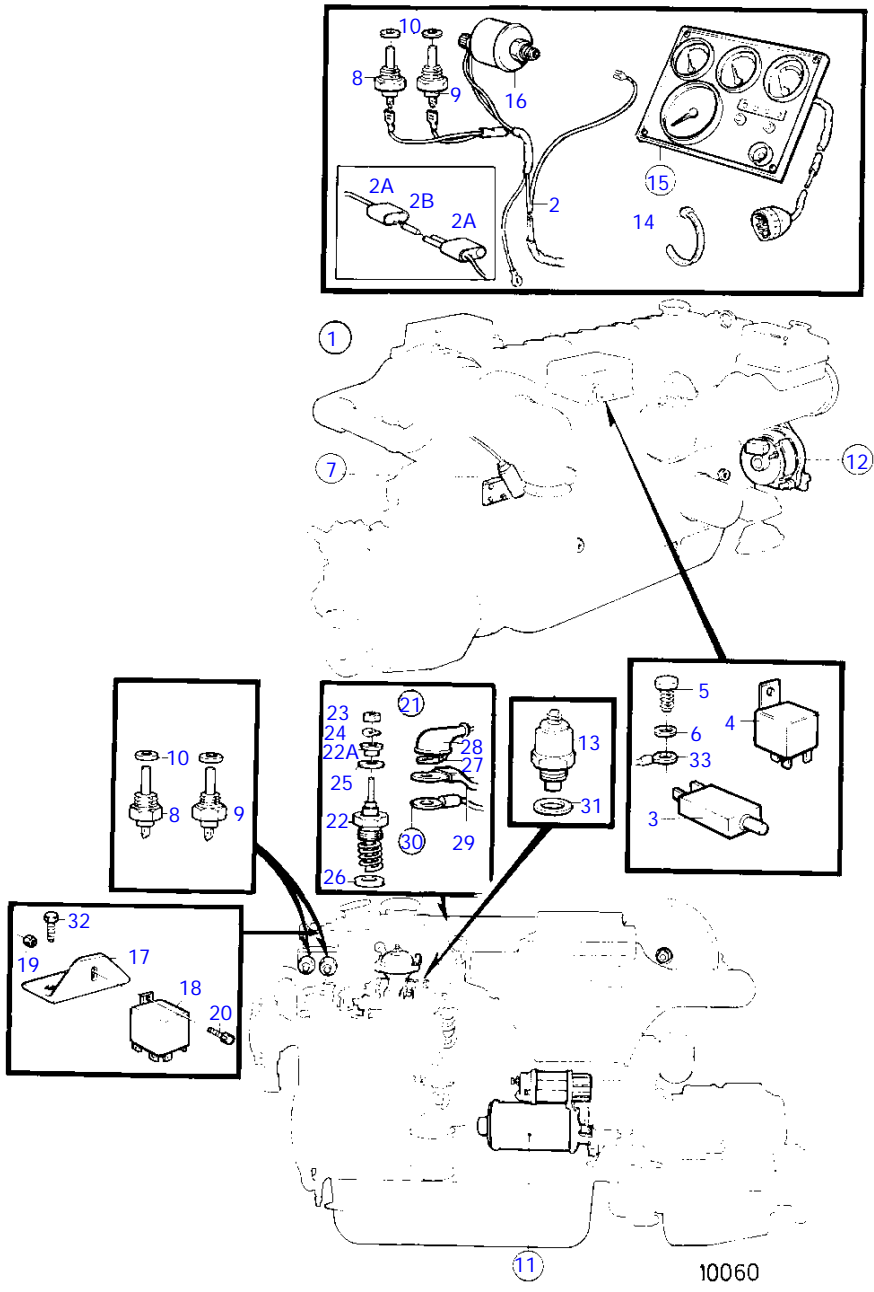


9557

MD31A, TMD31A, TMD31B, TAMD31A, TAMD31B

REF	PART NO.	QTY	DESCRIPTION	NOTES
1	828816	1	Exhaust temp kit	
2	828817	1	* Sensor	
3	828776	2	* Washer	
4	828761	1	* Thermo monitor	
5	948210	X	* Cable tie	
6	828750	1	* Nut	
7		X	* CABLES AND TERMINALS	SEE GROUP 3
8		2	HOSE CLAMP	
9		X	HOSE	

MD31A, TMD31A, TAMD31A

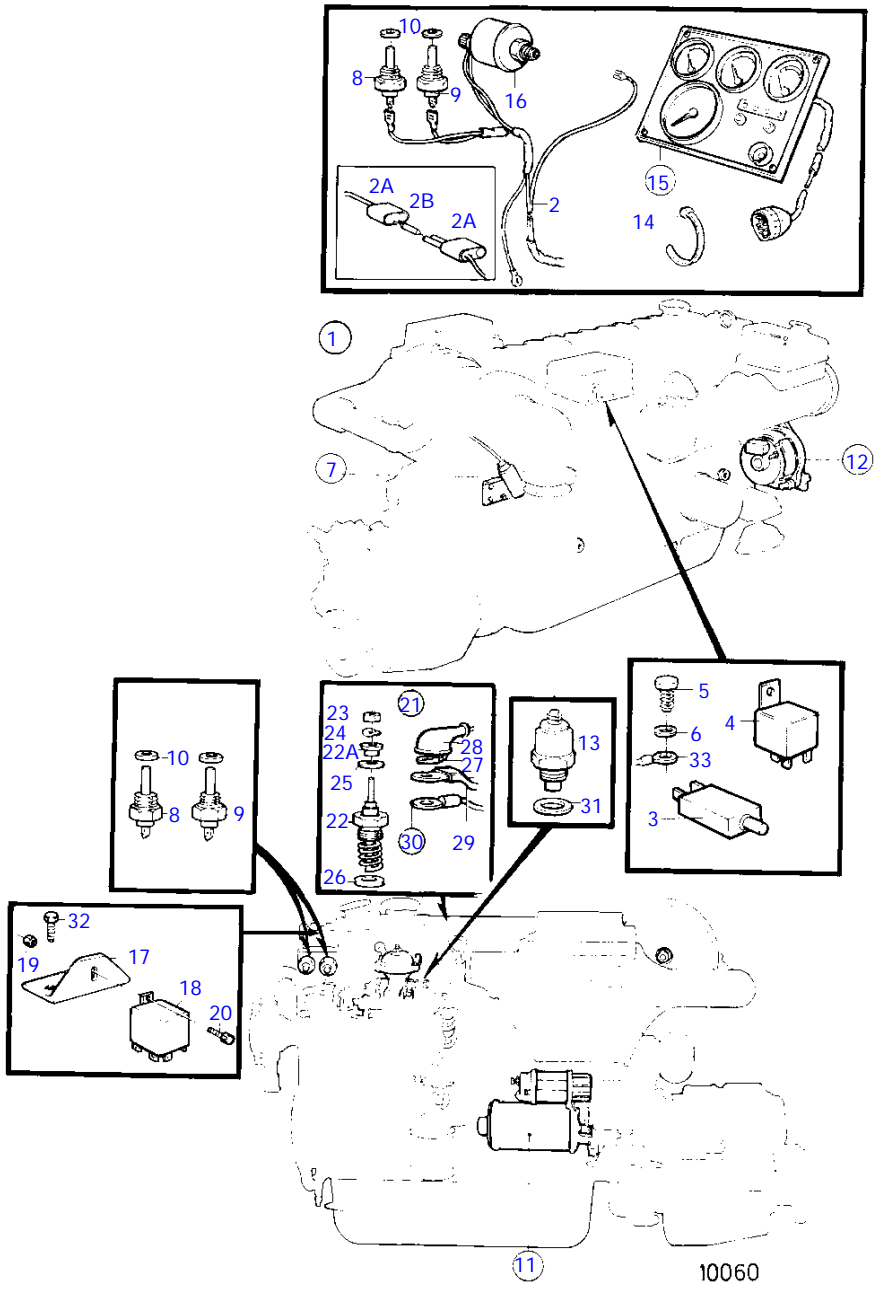


MD31A, TMD31A, TAMD31A

REF	PART NO.	QTY	DESCRIPTION	SEE SEC.	NOTES
1	858910	1	Conversion kit		REPL BY 860323
					FOR ENGINES WITH PREHEATING OF AIR.
2	858085	1	* Cable kit		REPL BY 859049
	859049	1	* Cable trunk		
2A	966334	1	* * Fuse holder		
2B	11433	1	* * Fuse		FOR EXHAUST PRESSURE REGULATOR
3	966689	1	* Fuse		
4	837878	1	* Relay		
	838955	1	* Relay		
5	956074	1	* Cross recessed screw		
6	942605	1	* Toothed washer		
7	876175	1	* Control magnet kit		(859080)
			* * COMPONENTS		SEE GROUP 3
8	843325	1	* Temperature sensor		
9	858229	1	* Thermo monitor		
10	957181	2	* Gasket		
11	838987	1	* Starter motor, STARTER MOTOR COMPONENTS		
			* *		SEE GROUP 3
12	849563	1	* Alternator, GENERATOR COMPONENTS		FOR 24 VOLTAGE ELECTRIC SYSTEM., 28V 55A
			* *		SEE GROUP 3
	863955	1	* * Alternator		REPL BY863955
			Bulletin 45-02A	45-02A-EN	FOR 24 VOLTAGE ELECTRIC SYSTEM., ALSO AVAILABLE AS AN EXCHANGE PART., 28V 60A
					Alternator
12			* * * COMPONENTS		SEE GROUP 3
13		1	* * Stop solenoid		(858058)
14	948210	10	* * Cable tie		
15	858086	1	* * Instrument panel		OBSOLETE PART, REPL BY 858866
			* * * COMPONENTS		SEE GROUP 3
	858866	1	* * Instrument panel		OBSOLETE PART
			* * * COMPONENTS		SEE GROUP 3
			* * * COMPONENTS		SEE GROUP 3
			* * * COMPONENTS		SEE GROUP 3
27		X	* * CABLES AND TERMINALS		SEE GROUP 3
28	673580	X	* * Adapter		
31	243572	1	* * O-ring		
33		X	CABLES AND TERMINALS		SEE GROUP 3



MD31A, TMD31A, TAMD31A

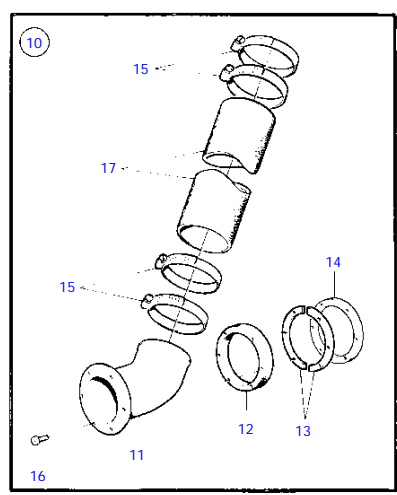
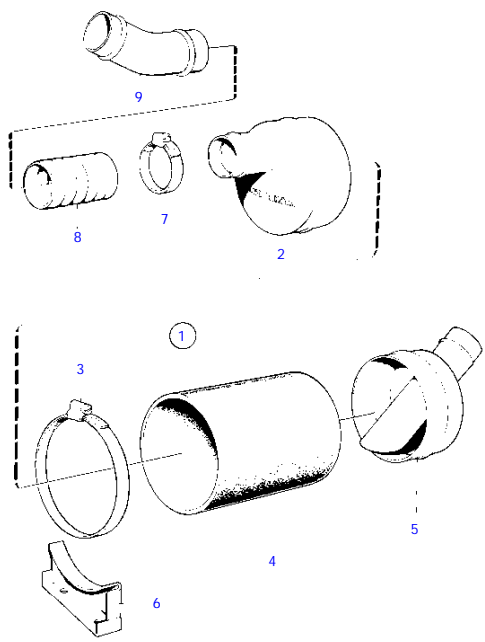


MD31A, TMD31A, TAMD31A

REF	PART NO.	QTY	DESCRIPTION	SEE SEC.	NOTES
1	860323	1	Conversion kit		
2	859049	1	* Cable trunk		
2A	966334	1	* * Fuse holder		
2B	11433	1	* * Fuse		FOR EXHAUST PRESSURE REGULATOR
3	966689	1	* Fuse		
4	837878	2	* Relay		
5	956074	1	* Cross recessed screw		
6	942605	1	* Toothed washer		
7	876175	1	* Control magnet kit		(859080)
8	862154	1	* Temperature sensor		
9	858229	1	* Thermo monitor		
10	957181	2	* Gasket		
11	838987	1	* Starter motor, STARTER MOTOR COMPONENTS		
12	849563	1	* Alternator, GENERATOR COMPONENTS		FOR 24 VOLTAGE ELECTRIC SYSTEM., 28V 55A
	863955	1	* * Alternator		FOR 24 VOLTAGE ELECTRIC SYSTEM., ALSO AVAILABLE AS AN EXCHANGE PART., 28V 60A
			Bulletin 45-02A	45-02A-EN	Alternator
13		1	* * Stop solenoid		(858058)
14	948210	10	* * Cable tie		
15	859063	1	* * Instrument panel		REPL BY 860141
	864041	1	* * Instrument panel		
16	862155	1	* * Oil pressure sensor		
17	858937	1	* * Bracket		
18	838955	1	* * Relay		
19	949278	1	* * Flange lock nut		
20	965175	1	* * Flange screw		
21	876132	1	* * Glow plug		
22	859021	1	* * * Glow plug		
22A	859328	1	* * * Thrust sleeve		
23	965483	1	* * * Flange nut		
24	941905	1	* * * Spring washer		
25		1	* * * O-RING		NOT TO BE USED WHERE CONTACT PLATE 860044 SHALL BE USED
26	859211	1	* * * Sealing ring		
27		X	* * CABLES AND TERMINALS		ALT SEE GROUP 3
28	673580	X	* * Adapter		
29	859451	1	* * Rail		GLOW PLUG 1-2, ALT
	859450	1	* * Rail		GLOW PLUG 2-3, ALT
	859449	1	* * Rail		GLOW PLUG 3-4, ALT
30	860044	1	* * Switch brace		SEE GROUP 3
31	243572	1	* * O-ring		
32		2	SCREW		SEE GROUP 2B
33		X	CABLES AND TERMINALS		SEE GROUP 3

90 | **WATER COOLED EXHAUST MUFFLER WITH INSTALLATION COMPONENTS**

TMD31A, TMD31B, TAMD31A, TAMD31B



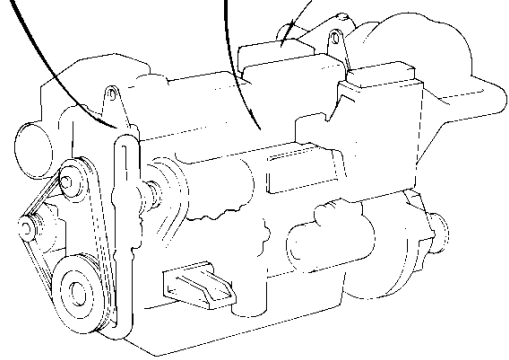
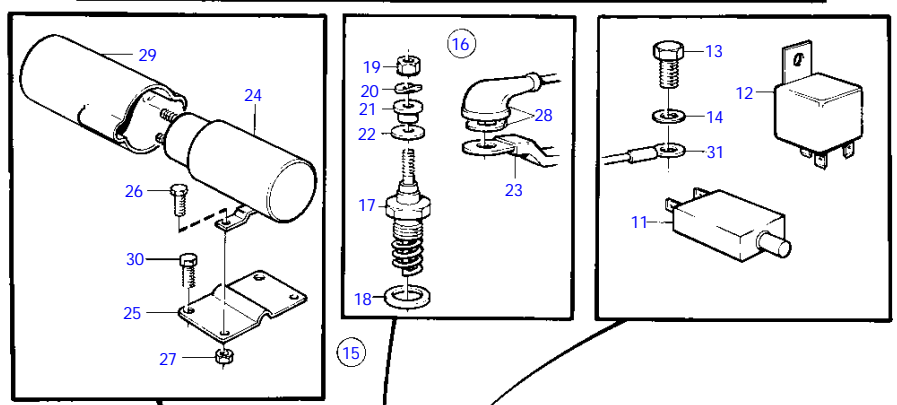
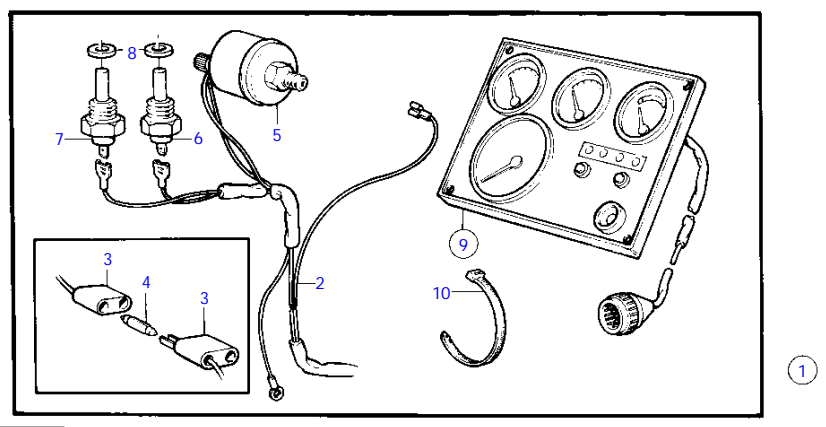
9622



TMD31A, TMD31B, TAMD31A, TAMD31B

REF	PART NO.	QTY	DESCRIPTION
1	842768	1	Muffler
2		1	* COVER
3	949000	4	* Hose clamp
4	842766	1	* Exhaust hose
5		1	* COVER
6	842767	2	* Bracket
7	961675	X	Hose clamp
8	828729	X	Exhaust hose
9	843287	1	Riser
10	828295	1	Hull fitting
11		1	* EXHAUST GROMMET
12	828293	1	* Expander
13		2	* WASHER
14	828412	1	* Washer
15	853012	4	Hose clamp
16	828410	6	* Screw
17	828729	X	* Exhaust hose

TMD31A, TAMD31A, AQAD31A



10269

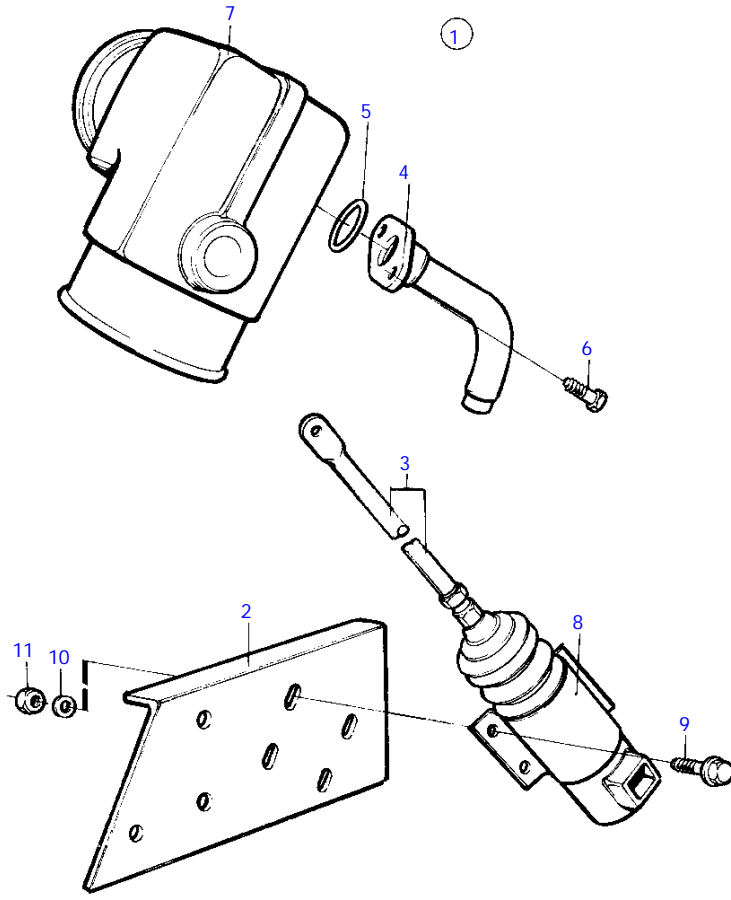


TMD31A, TAMD31A, AQAD31A

REF	PART NO.	QTY	DESCRIPTION	SEE SEC.	NOTES
1	859730	1	Conversion kit		OBSOLETE PART
2	859049	1	* Cable trunk		
3	966334	1	* * Fuse holder		
4	942785	1	* Fuse		
5	862155	1	* Oil pressure sensor		
6	858229	1	* Thermo monitor		
7	862154	1	* Temperature sensor		
8	957181	2	* Gasket		
9	864042	1	* Instrument panel		
			* *	19319	
10	948210	5	* Cable tie		
11	966689	1	* Fuse		
12	853545	1	* Relay kit		
13	956074	1	* Cross recessed screw		
14	942605	1	* Toothed washer		
15	860342	1	* Conversion kit		OBSOLETE PART
16	876132	1	* * Glow plug		
17	859021	1	* * * Glow plug		
18	859211	1	* * * Sealing ring		
19	965483	1	* * * Flange nut		
20	941905	1	* * * Spring washer		
21	859328	1	* * * Thrust sleeve		
22		1	* * * O-RING		
23	859451	1	* * Rail		GLOW PLUG 1-2
	859450	1	* * Rail		GLOW PLUG 2-3
	859449	1	* * Rail		GLOW PLUG 3-4
24	1577375	1	* * Relay		
25	859069	1	* * Bracket		
26	956076	2	* * Cross recessed screw		
27	965483	2	* * Flange nut		
28	860330	1	* * Cable kit		OBSOLETE PART
		X	* * * CABLES, TERMINALS		SEE GROUP 3
29	1581123	1	* * Casing		
30		2	SCREW		SEE GROUP 2B
31		X	CABLES AND TERMINALS		SEE GROUP 3



TMD31A, TAMD31A, AQAD31A, AD31A

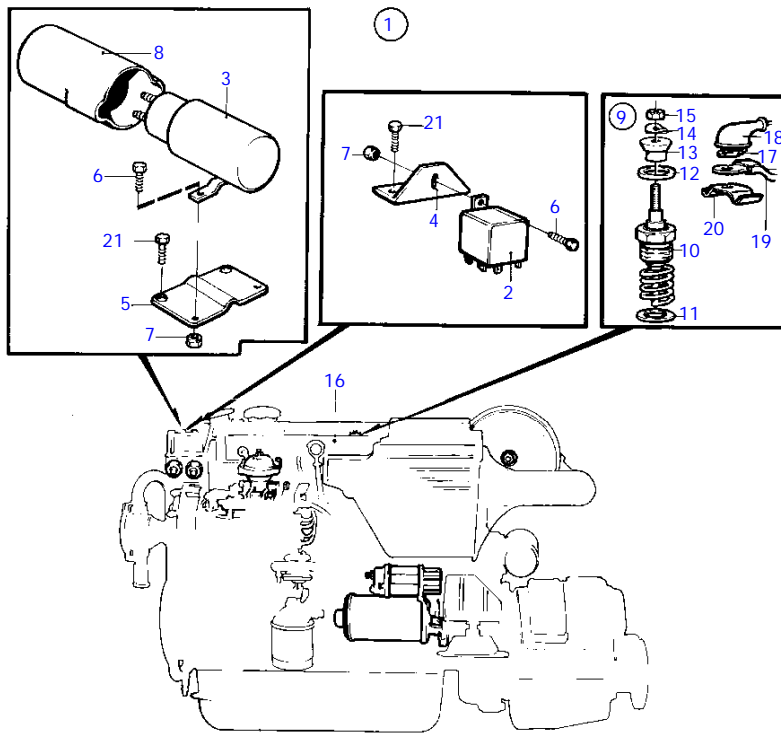


9426

TMD31A, TAMD31A, AQAD31A, AD31A

REF	PART NO.	QTY	DESCRIPTION	NOTES
1	859404	1	Conversion kit	OBSOLETE PART
2	859399	1	* Bracket	OBSOLETE PART
3	859400	1	* Pull rod	OBSOLETE PART
4	844258	1	* Coolant pipe	
5	842913	1	* Sealing ring	
6	946544	2	* Flange screw	
7		1	EXHAUST BEND	
8		1	SOLENOID	SEE GROUP 2B
9	946173	4	Flange screw	SEE GROUP 3
10	960141	4	Washer	
11	945408	4	Flange nut	

TMD31A, TAMD31A, AQAD31A, AD31A

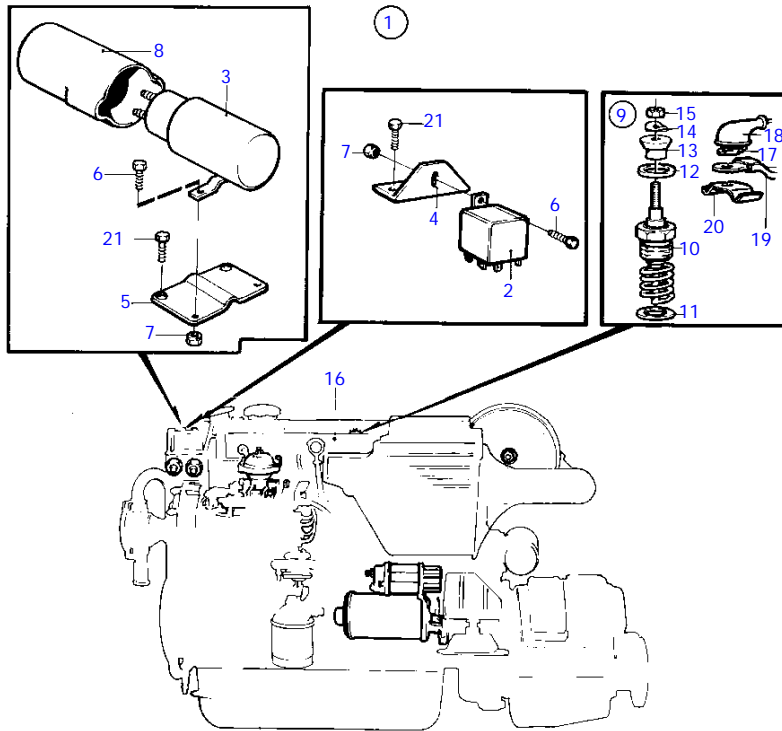


9162

TMD31A, TAMD31A, AQAD31A, AD31A

REF	PART NO.	QTY	DESCRIPTION	NOTES
1	860321	1	Conversion kit	FROM 0 TO 2 GLOWPLUGS., FOR TMD31A, TAMD31A, AQAD31A, AD31A., 12V, OBSOLETE PART (859326) REPL BY 859676
2	846762	1	* Relay	EARLY TYPE
	860339	1	* Relay	LATE TYPE
4	858937	1	* Bracket	
6	965175	1	* Flange screw	FOR 846762
	965199	1	* Flange screw	FOR 860339
7	949278	1	* Flange lock nut	FOR 846762
	965483	1	* Flange nut	FOR 860339
9	876132	1	* Glow plug	
10		1	* * GLOW PLUG	
11	859211	1	* * Sealing ring	
12		1	* * O-RING	NOT TO BE USED WHERE CONTACT PLATE 860044 SHALL BE USED
13	859328	1	* * Thrust sleeve	
14	941905	1	* * Spring washer	
15	965483	1	* * Flange nut	
16	859299	1	* Inlet pipe	
		X	* * COMPONENTS	SEE GROUP 2B
17		X	* CABLES AND TERMINALS	ALT. SEE GROUP 3
18	673580	X	* Adapter	
19	859450	1	* Rail	ALT.
20	860044	1	* Switch brace	ALT.
21		2	SCREW	SEE GROUP 2B

TMD31A, TAMD31A, AQAD31A, AD31A

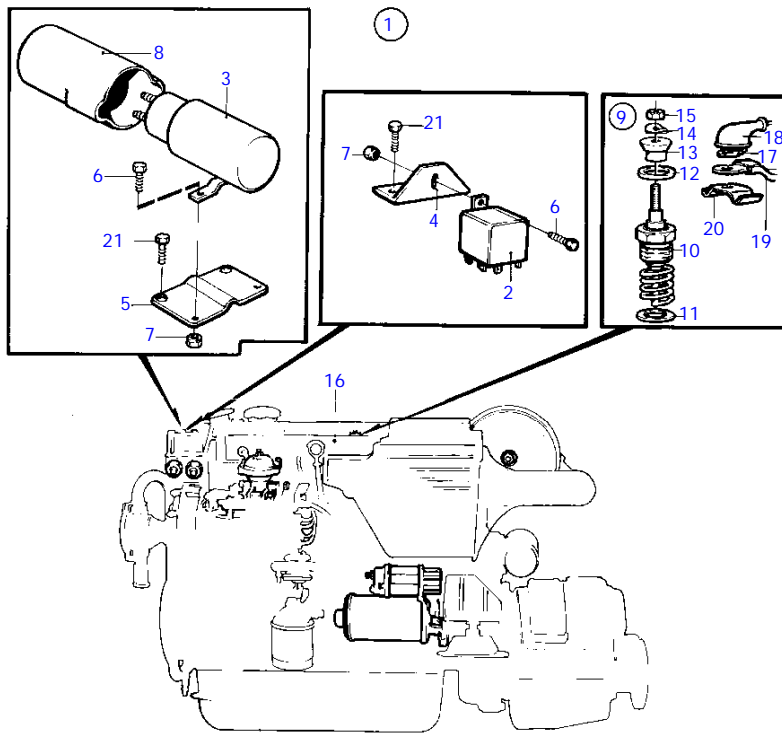


9162

TMD31A, TAMD31A, AQAD31A, AD31A

REF	PART NO.	QTY	DESCRIPTION	NOTES
1	859302	1	Conversion kit	OBSOLETE PART, FROM 2 TO 4 GLOWPLUGS., FOR TMD31A, TAMD31A, AQAD31A, AD31A., 12V
3	1577375	1	* Relay	
5	859069	1	* Bracket	
6	956076	2	* Cross recessed screw	
7	965483	2	* Flange nut	
8	1581123	1	* Casing	
9	876132	1	* Glow plug	
10		1	* * GLOW PLUG	
11	859211	1	* * Sealing ring	
12		1	* * O-RING	
13	859328	1	* * Thrust sleeve	
14	941905	1	* * Spring washer	
15	965483	1	* * Flange nut	
17		X	* CABLES AND TERMINALS	SEE GROUP 3
18	673580	X	* Adapter	
21		2	SCREW	SEE GROUP 2B

TMD31A, TAMD31A, AQAD31A, AD31A

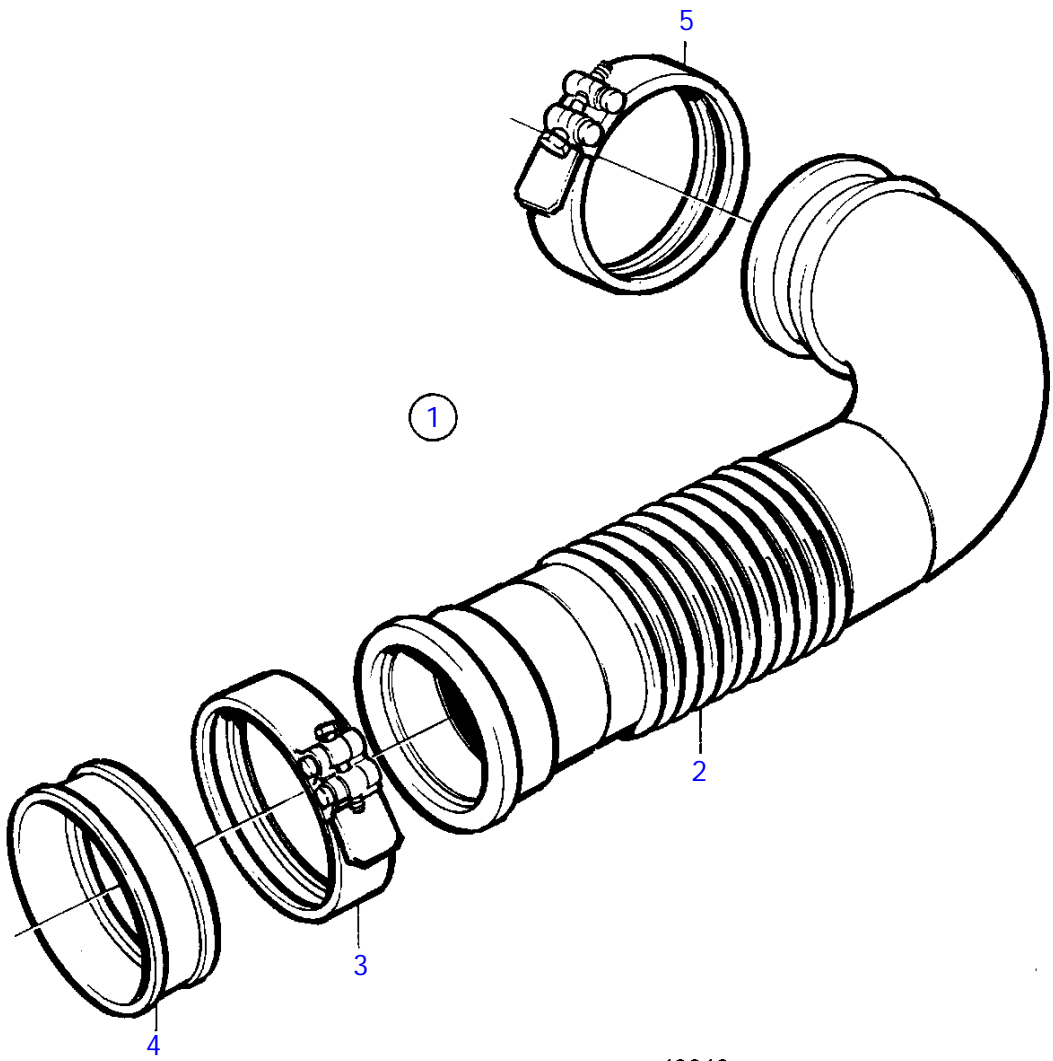


9162

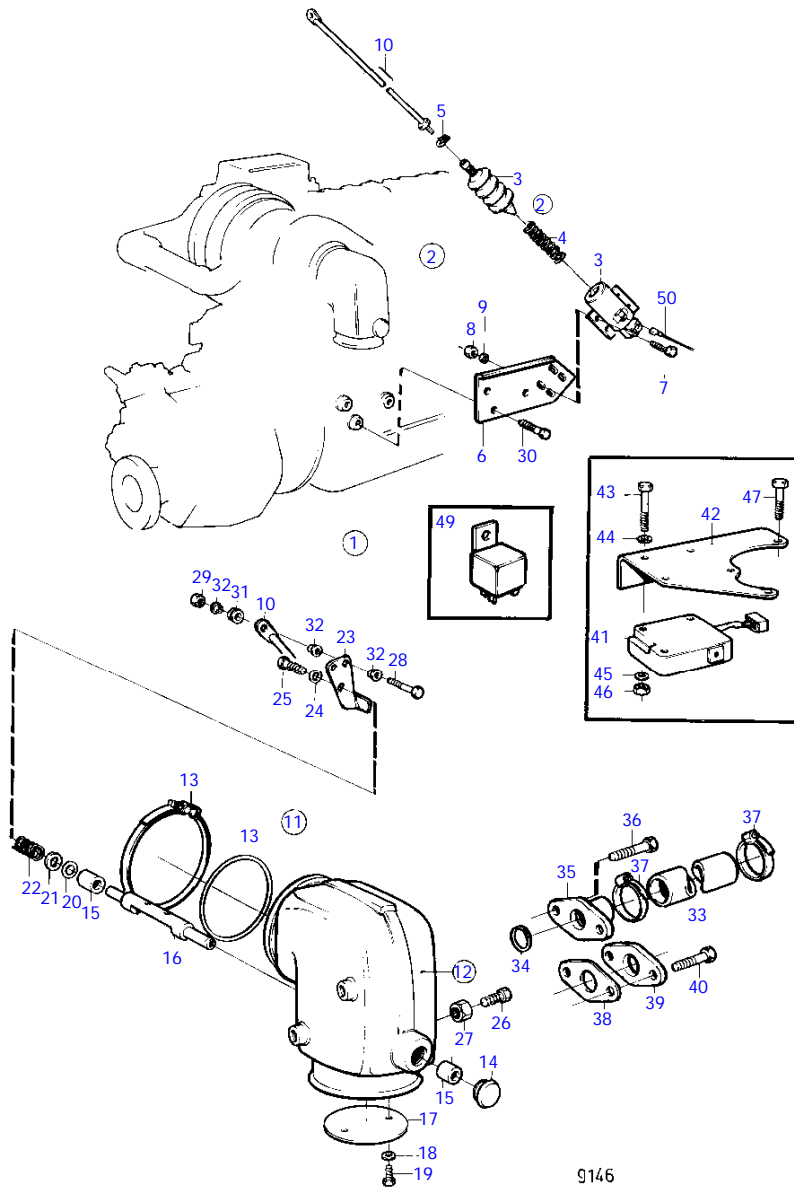
TMD31A, TAMD31A, AQAD31A, AD31A

REF	PART NO.	QTY	DESCRIPTION	NOTES
1	859676	1	Conversion kit	OBSOLETE PART, FROM 2 TO 4 GLOWPLUGS., FOR TMD31A, TAMD31A, AQAD31A, AD31A., 12V
3	1577375	1	* Relay	
5	859069	1	* Bracket	
6	956076	2	* Cross recessed screw	
7	965483	2	* Flange nut	
8	1581123	1	* Casing	
9	876132	1	* Glow plug	
10		1	* * GLOW PLUG	
11	859211	1	* * Sealing ring	
12		1	* * O-RING	
13	859328	1	* * Thrust sleeve	
14	941905	1	* * Spring washer	
15	965483	1	* * Flange nut	
17		X	* CABLES AND TERMINALS	SEE GROUP 3
18	673580	X	* Adapter	
21		2	SCREW	SEE GROUP 2B

TMD31B, TAMD31B



TAMD31A



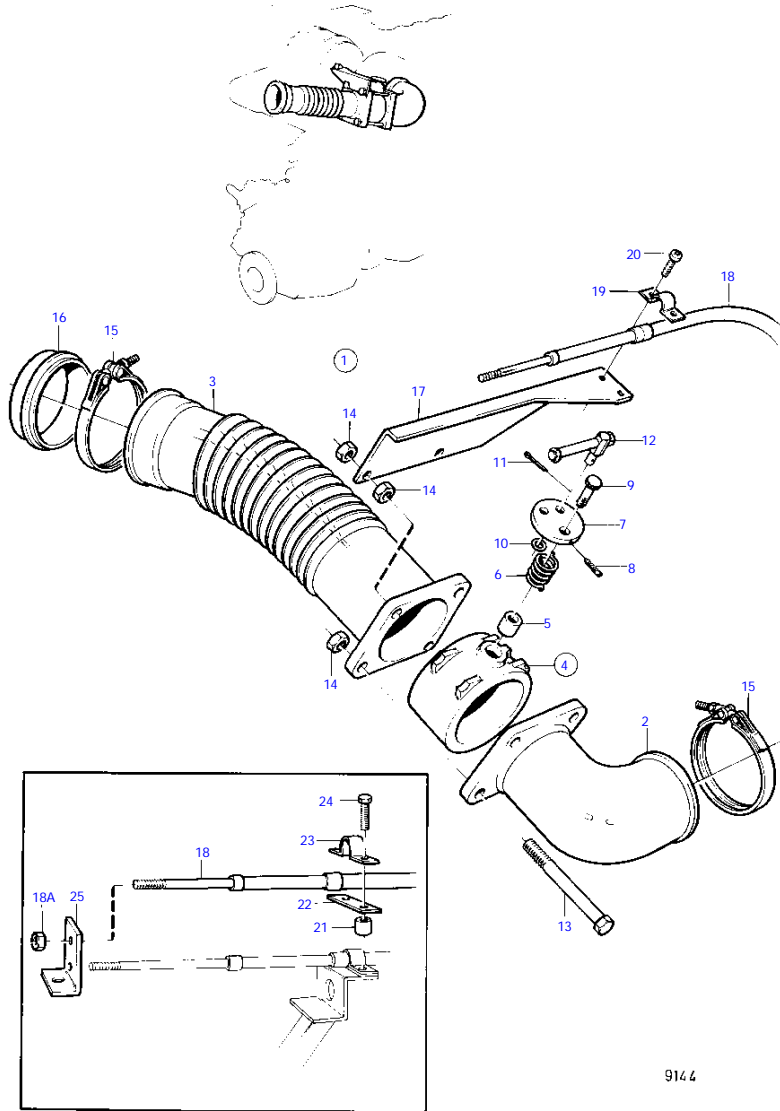
TAMD31A

REF	PART NO.	QTY	DESCRIPTION	SEE SEC.	NOTES
1	859268	1	Exhaust brake		12V, OBSOLETE PART
2	859079	1	* Stop solenoid		
3		1	* * SOLENOID		
4	843401	1	* * Return spring		
5	969294	1	* * Snap ring		OBSOLETE PART
6	858925	1	* Bracket		
7	946173	4	* Flange screw		
8	945408	4	* Flange nut		
9	960141	4	* Washer		
10	858928	1	* Pull rod		
11	858481	1	* Exhaust riser		
			* Bulletin 44-16	44-16-EN	Overhaul kit, Exhaust Bend
12		1	* * EXHAUST BEND		
13	859052	1	* * * Gasket		(845408)
14	941255	1	* * Expansion plug		OBSOLETE PART
15	858478	2	* * Bushing		
16		1	* * SHAFT		
17		1	* * THROTTLE		
18	940275	2	* * Washer		
19	963537	2	* * Hexagon screw		
20	968783	1	* * O-ring		OBSOLETE PART
21	941670	1	* * Washer		
22	858594	1	* * Spring		
23	858926	1	* * Intermediate lever		OBSOLETE PART
24	960137	1	* * Washer		
25	955225	1	* * Hexagon screw		
26	956100	1	* * Cross recessed screw		
27	955781	1	* * Hexagon nut		
28	955274	1	* Hexagon screw		
29	946035	1	* Lock nut		
30	970972	3	* Hexagon screw		(955342)
31	843105	3	* Spacer washer		
32	843109	1	* Bushing		
33	944386	X	* Rubber hose		
34	842913	1	* Sealing ring		
35	858659	1	* Hose connection		
36	946544	2	* Flange screw		
37	943475	2	* Hose clamp		
38	859002	1	* Gasket		
39	844093	1	* Flange		
40	946544	2	* Flange screw		
41	858760	1	* Microswitch		OBSOLETE PART
42	858756	1	* Bracket		TO BE INSTALLED ON FUEL INJECTION PUMP.
43	955232	3	* Hexagon screw		
44	955891	3	* Washer		
45	960137	3	* Washer		
46	963103	3	* Lock nut		
47	946544	3	* Flange screw		
48	842993	1	* V-band clamp		
49	853545	1	* Relay kit		
50		X	CABLES AND TERMINALS		SEE GROUP 3
	859607	X	Overhaul kit		

TAMD31A

REF	PART NO.	QTY	DESCRIPTION	SEE SEC.	NOTES
1	859269	1	Exhaust brake		24V, OBSOLETE PART
2	876175	1	* Control magnet kit		(859080)
3		1	* * SOLENOID		
4	843401	1	* * Return spring		
5	969294	1	* * Snap ring		OBSOLETE PART
6	858925	1	* Bracket		
7	946173	4	* Flange screw		
8	945408	4	* Flange nut		
9	960141	4	* Washer		
10	858928	1	* Pull rod		
11	858481	1	* Exhaust riser		
			Bulletin 44-16	44-16-EN	Overhaul kit, Exhaust Bend
12		1	* * EXHAUST BEND		
13	859052	1	* * * Gasket		(845408)
14	941255	1	* * Expansion plug		OBSOLETE PART
15	858478	2	* * Bushing		
16		1	* * SHAFT		
17		1	* * THROTTLE		
18	940275	2	* * Washer		
19	963537	2	* * Hexagon screw		
20	968783	1	* * O-ring		OBSOLETE PART
21	941670	1	* * Washer		
22	858594	1	* * Spring		
23	858926	1	* * Intermediate lever		OBSOLETE PART
24	960137	1	* * Washer		
25	955225	1	* * Hexagon screw		
26	956100	1	* * Cross recessed screw		
27	955781	1	* * Hexagon nut		
28	955274	1	* Hexagon screw		
29	946035	1	* Lock nut		
30	970972	3	* Hexagon screw		(955342)
31	843105	3	* Spacer washer		
32	843109	1	* Bushing		
33	944386	X	* Rubber hose		
34	842913	1	* Sealing ring		
35	858659	1	* Hose connection		
36	946544	2	* Flange screw		
37	943475	2	* Hose clamp		
38	859002	1	* Gasket		
39	844093	1	* Flange		
40	946544	2	* Flange screw		
41	858760	1	* Microswitch		OBSOLETE PART
42	858756	1	* Bracket		TO BE INSTALLED ON FUEL INJECTION PUMP.
43	955232	3	* Hexagon screw		
44	955891	3	* Washer		
45	960137	3	* Washer		
46	963103	3	* Lock nut		
47	946544	3	* Flange screw		
48	842993	1	* V-band clamp		
49	837878	1	* Relay		
50		X	CABLES AND TERMINALS		SEE GROUP 3
	859607	X	Overhaul kit		

TAMD31A

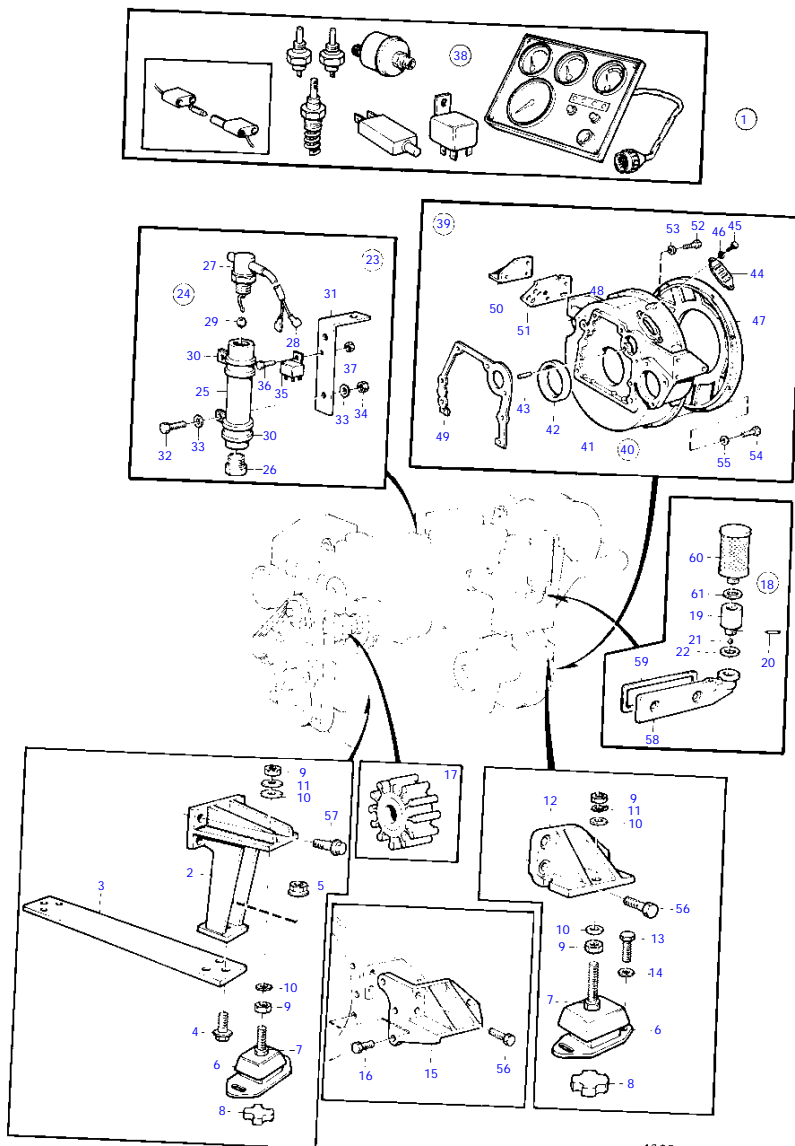


9144

TAMD31A

REF	PART NO.	QTY	DESCRIPTION	NOTES
1	859266	1	Exhaust brake	OBSOLETE PART
2	858657	1	* Exhaust riser	
3	859214	1	* Compensator	
4	859230	1	* Exhaust valve	OBSOLETE PART
5		1	* * SPACER SLEEVE	
6	859175	1	* * Torsion spring	OBSOLETE PART
7	859264	1	* * Lever	OBSOLETE PART
8	967318	1	* * Screw	OBSOLETE PART
9		1	* * SCREW	
10	944469	1	* Washer	OBSOLETE PART
11	907834	1	* Split pin	
12	859270	1	* Cube	OBSOLETE PART
13	965189	2	* Flange screw	L = 90 MM
	965190	2	* Flange screw	L = 100 MM
14	971095	6	* Flange nut	(945409)
15	842993	2	* V-band clamp	
16	842740	1	* Flange	
17	859260	1	* Bracket	OBSOLETE PART
18	1140173	1	* Control cable	(820298)
18A		1	* * NUT	
19	21471054	1	* Bracket	
20	956075	2	* Cross recessed screw	
21	841035	2	* Spacer sleeve	
22	819068	1	* Washer	
23	21471054	1	* Bracket	
24	956081	2	* Cross recessed screw	
25	859265	1	* Anchorage	OBSOLETE PART

TAMD31A

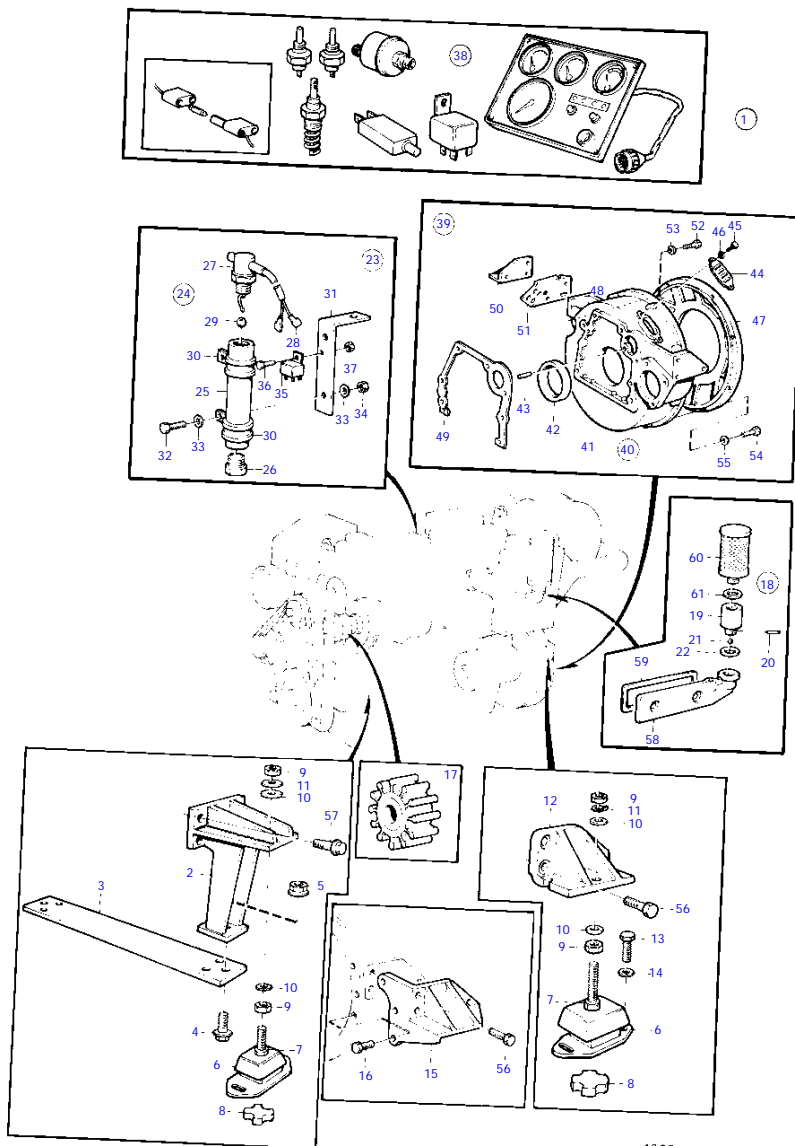


10264

TAMD31A

REF	PART NO.	QTY	DESCRIPTION	SEE SEC.	NOTES
1	860361	1	Conversion kit		ONLY FOR PRODUCT NO.868321, 12V, OBSOLETE PART
2	858158	2	* Bracket		
3	858159	1	* Bracket		
4	965191	6	* Flange screw		
5	971096	6	* Flange nut		
6	858160	4	* Rubber cushion		
			* Bulletin 44-26	44-26-EN	Reinforced Rubber Cushion
7	955900	4	* Washer		
8	843299	4	* Rubber disc		
9	955805	8	* Hexagon nut		
10	191940	6	* Washer		
	955900	2	* Washer		
11	941912	4	* Spring washer		
12	859375	1	* Engine mountings		
13	965220	8	* Flange screw		
14	960148	8	* Washer		
15	858952	1	* Engine bracket		OBSOLETE PART
16	965186	3	* Flange screw		
17	858249	1	* Impeller		
18	858256	1	* Check valve		
19	858235	1	* Check valve		
20	951971	1	* Spring pin		
21	181501	1	* Ball		
22	843449	1	* Gasket		
23	859951	1	* Tilt monitor		OBSOLETE PART
24	858255	1	* Tilt monitor		
25	858169	1	* Sleeve		OBSOLETE PART
26	914392	1	* Plug		
27	858454	1	* Switch		
28	X		* * * * .CABLES, TERMINALS		SEE GROUP 3
29	181332	2	* Ball		OBSOLETE PART
30	952635	2	* Clamp		
31	858803	1	* Bracket		OBSOLETE PART
32	955271	2	* Hexagon screw		
33	955892	4	* Washer		
34	955781	2	* Hexagon nut		
35	853544	1	* Relay		
36	965199	1	* Flange screw		
37	965483	1	* Flange nut		
38	859730	1	* Conversion kit		OBSOLETE PART
			* *	19330	
			* *	19328	
39		1	FLYWHEEL HOUSING		FOR ONE STARTER., SEE GROUP 2A
	859998	1	Flywheel housing		OBSOLETE PART, FOR TWO STARTERS.
40	858254	1	* Flywheel housing		OBSOLETE PART
41	858164	1	* Flywheel housing		
42	1542204	1	* Sealing ring		
43	404069	1	* Pin		
44	407092	1	* Cover		
45	955269	2	* Hexagon screw		
46	941906	2	* Spring washer		
47	858165	1	* Cardboard tube		
48	859375	1	* Engine mountings		
49	829487	1	* Gasket		
50	859375	1	* Engine mountings		
51	859437	1	* Bracket		OBSOLETE PART
52		8	SCREW		SEE GROUP 2A
53		8	WASHER		SEE GROUP 2A
54		10	SCREW		SEE GROUP 2A
55		10	WASHER		SEE GROUP 2A
56		6	SCREW		SEE GROUP 2A
57		8	SCREW		SEE GROUP 2A
58		1	CRANKCASE BREATHER		SEE GROUP 2A
59		1	RUBBER SEAL		SEE GROUP 2A
60		1	FILTER		SEE GROUP 2A
61		1	Gasket		SEE GROUP 2A

TAMD31A

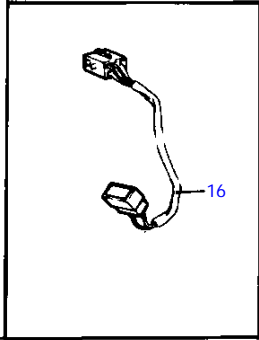
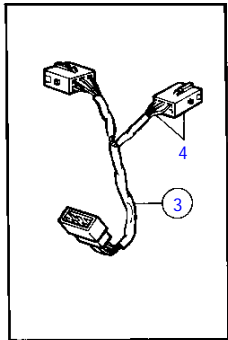
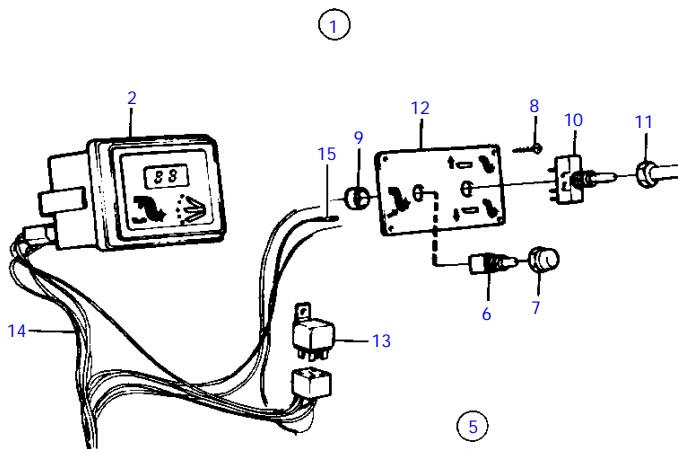


10264

TAMD31A

REF	PART NO.	QTY	DESCRIPTION	SEE SEC.	NOTES
1	860362	1	Conversion kit		OBSOLETE PART, ONLY FOR PRODUCT NO.868321, 24V
2	858158	2	* Bracket		
3	858159	1	* Bracket		
4	965191	6	* Flange screw		
5	971096	6	* Flange nut		
6	858160	4	* Rubber cushion		
			Bulletin 44-26	44-26-EN	Reinforced Rubber Cushion
7	955900	4	* Washer		
8	843299	4	* Rubber disc		
9	955805	8	* Hexagon nut		
10	191940	6	* Washer		
	955900	2	* Washer		
11	941912	4	* Spring washer		
12	859375	1	* Engine mountings		
13	965220	8	* Flange screw		
14	960148	8	* Washer		
15	858952	1	* Engine bracket		OBSOLETE PART
16	965186	3	* Flange screw		
17	858249	1	* Impeller		
18	858256	1	* Check valve		
19	858235	1	* Check valve		
20	951971	1	* Spring pin		
21	181501	1	* Ball		
22	843449	1	* Gasket		
23	859950	1	* Tilt monitor		OBSOLETE PART
24	858255	1	* Tilt monitor		
25	858169	1	* Sleeve		OBSOLETE PART
26	914392	1	* Plug		
27	858454	1	* Switch		
28	X		* CABLES, TERMINALS		SEE GROUP 3
29	181332	2	* Ball		OBSOLETE PART
30	952635	2	* Clamp		
31	858803	1	* Bracket		OBSOLETE PART
32	955271	2	* Hexagon screw		
33	955892	4	* Washer		
34	955781	2	* Hexagon nut		
35	837878	1	* Relay		
36	965199	1	* Flange screw		
37	965483	1	* Flange nut		
38	860323	1	* Conversion kit		
39		1	FLYWHEEL HOUSING		FOR ONE STARTER., SEE GROUP 2A
	859998	1	Flywheel housing		OBSOLETE PART, FOR TWO STARTERS.
40	858254	1	* Flywheel housing		OBSOLETE PART
41	858164	1	* Flywheel housing		
42	1542204	1	* Sealing ring		
43	404069	1	* Pin		
44	407092	1	* Cover		
45	955269	2	* Hexagon screw		
46	941906	2	* Spring washer		
47	858165	1	* Cardboard tube		
48	859375	1	* Engine mountings		
49	829487	1	* Gasket		
50	859375	1	* Engine mountings		
51	859437	1	* Bracket		OBSOLETE PART
52		8	SCREW		SEE GROUP 2A
53		8	WASHER		SEE GROUP 2A
54		10	SCREW		SEE GROUP 2A
55		10	WASHER		SEE GROUP 2A
56		6	SCREW		SEE GROUP 2A
57		8	SCREW		SEE GROUP 2A
58		1	CRANKCASE BREATHER		SEE GROUP 2A
59		1	RUBBER SEAL		SEE GROUP 2A
60		1	FILTER		SEE GROUP 2A
61		1	Gasket		SEE GROUP 2A

AQAD31A, AD31A, AD31B



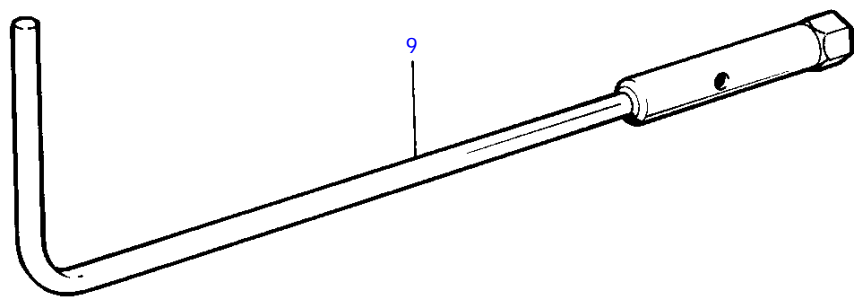
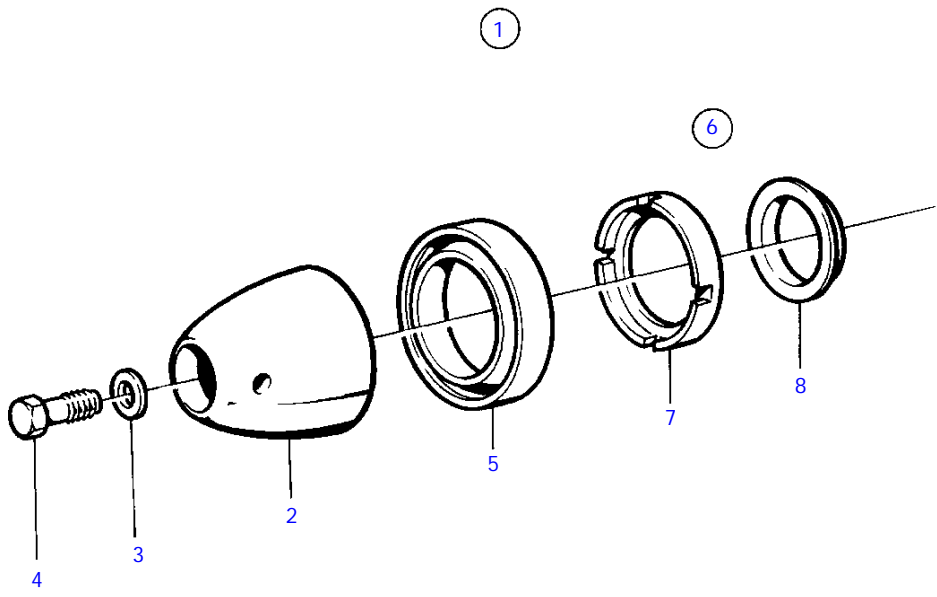
8270

AQAD31A, AD31A, AD31B

REF	PART NO.	QTY	DESCRIPTION	NOTES
1	853067	1	Instrument panel	OBSOLETE PART
2	828731	1	* Trimmer	
3		1	* CABLE KIT	
4		X	* * CABLES AND TERMINALS	SEE GROUP 3
5	853866	1	* Control panel	
6	828584	1	* * Toggle switch	
7	828586	1	* * Nut	
8	828647	4	* * Screw	
9	828740	2	* * Spacer washer	
10	828742	1	* * Switch	
11	828743	1	* * Nut	
12		1	* * PANEL	
13	853545	1	* * Relay kit	
14		1	* * CABLE UNIT	
15		X	* * * CABLES AND TERMINALS	SEE GROUP 3
16	853052	X	Extension cable'verl	L = 3000 MM

90 | **PROPELLER CONE KIT. TOOL, CONE TIGHTENING. DUOPROP.**

AQAD31A, AD31A, AD31B

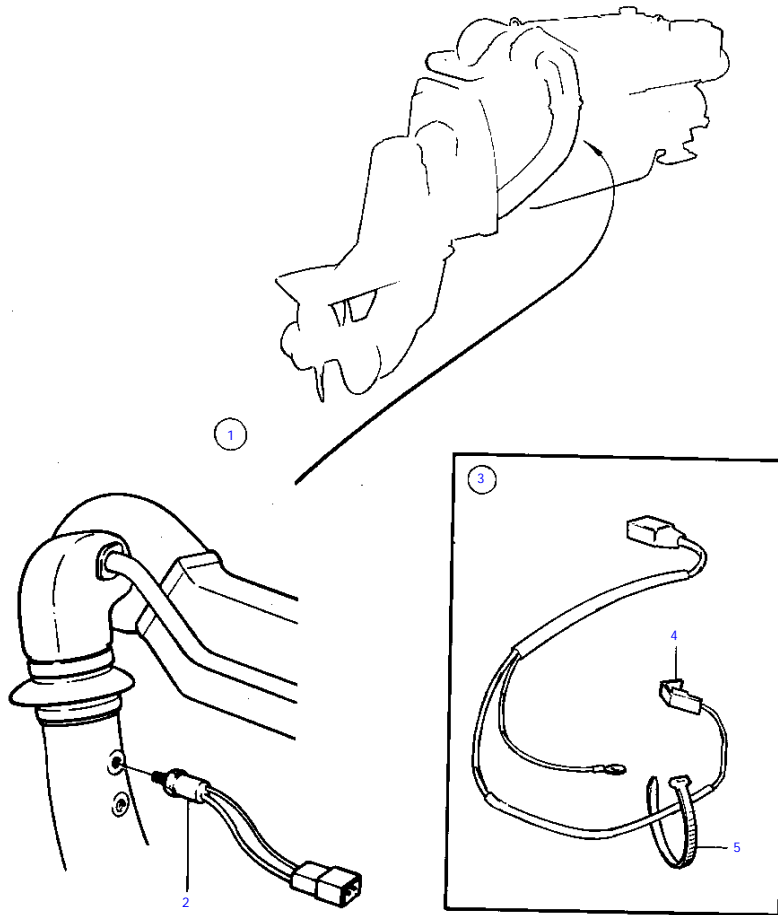


10098

AQAD31A, AD31A, AD31B

REF	PART NO.	QTY	DESCRIPTION	NOTES
1	854666	1	Propeller cone kit	
2		1	• PROPELLER CONE	BLACK
3	941670	1	• Washer	
4	852216	1	• Lock screw	
5	853676	1	• Spacer ring	
6	854667	1	• Spare parts kit	
7	854294	1	• • Plastic washer	REPL BY 854667
8		1	• • PRESSURE WASHER	
9	854669	1	Tool kit	

AQAD31A, AD31A, AD31B

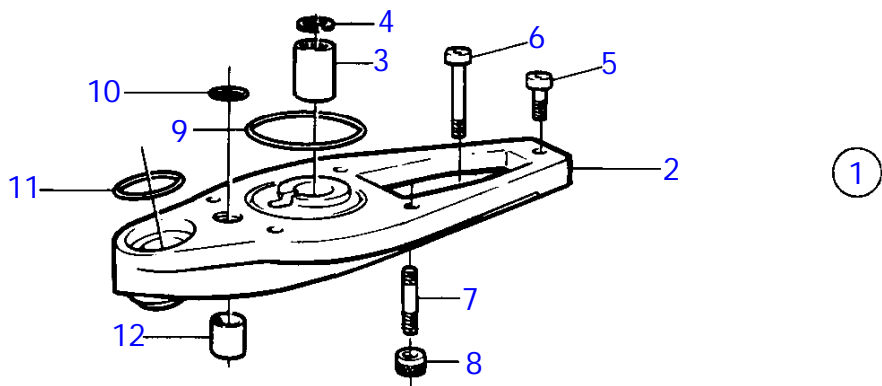


8499

AQAD31A, AD31A, AD31B

REF	PART NO.	QTY	DESCRIPTION	NOTES
1	858938	1	Exhaust temp kit	OBSOLETE PART
2	828761	1	* Thermo monitor	
3		1	* CABLE UNIT	
4		X	* * CABLES AND TERMINALS	SEE GROUP 3
5	948210	X	* Cable tie	

AQAD31A, AD31A, AD31B

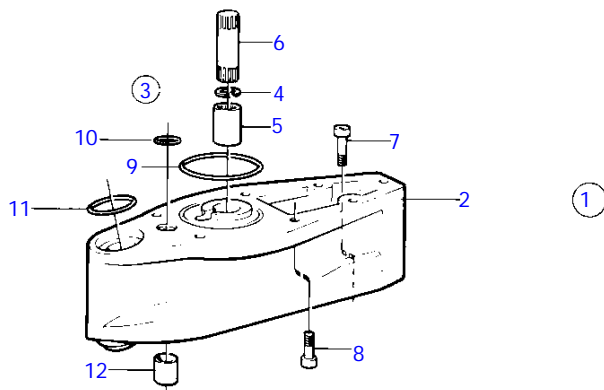


8306

AQAD31A, AD31A, AD31B

REF	PART NO.	QTY	DESCRIPTION	NOTES
1	839548	1	Extension kit	L = 1"
2		1	* ADAPTER	
3	814135	1	* Splined sleeve	
4	914508	1	* Snap ring	
5	941873	1	* Hex. socket screw	
6	959448	2	* Hex. socket screw	
7	943762	4	* Stud	
8	832939	4	* Nut	
9	925256	1	* O-ring	
10	125017	1	* O-ring	
11	941820	1	* O-ring	
12	897823	1	* Oil pipe	

AQAD31A, AD31A, AD31B

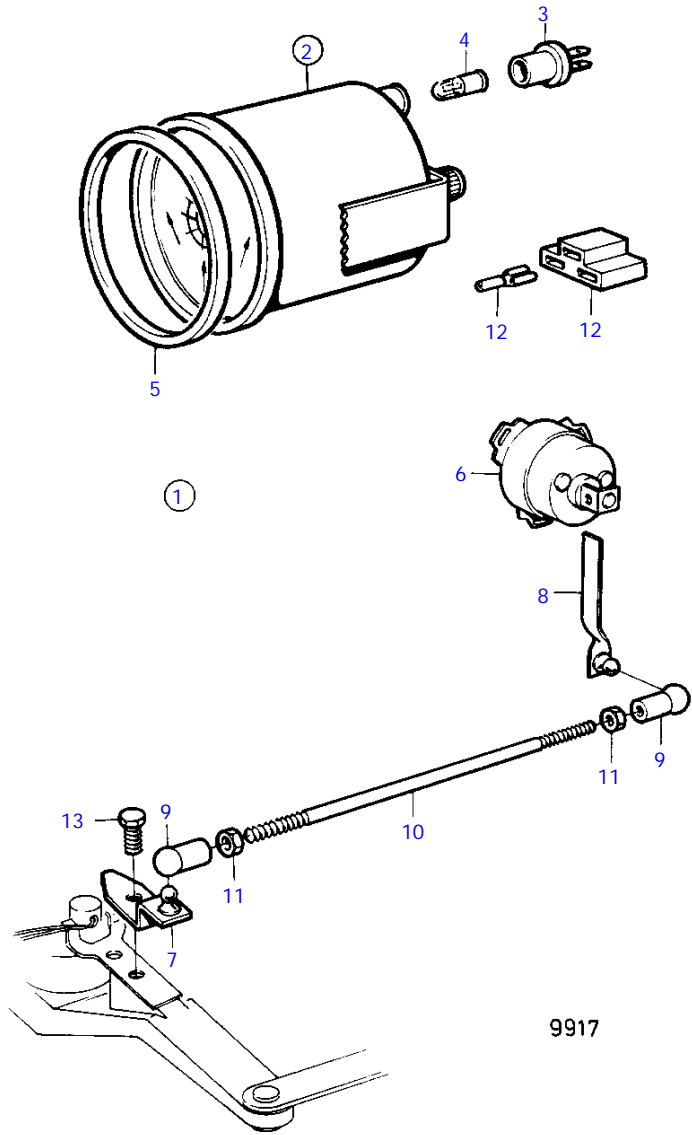


9604

AQAD31A, AD31A, AD31B

REF	PART NO.	QTY	DESCRIPTION	NOTES
1	814318	1	Extension kit	L = 4"
2		1	* ADAPTER	
3	875183	1	* Splined sleeve	
4	914508	1	* Snap ring	
5	875183	1	* Splined sleeve	(897368)
6	814321	1	* Shaft	
7	941809	3	* Hex. socket screw	
8	941810	4	* Hex. socket screw	
9	925256	1	* O-ring	
10	125017	1	* O-ring	
11	941820	1	* O-ring	
12	897823	1	* Oil pipe	

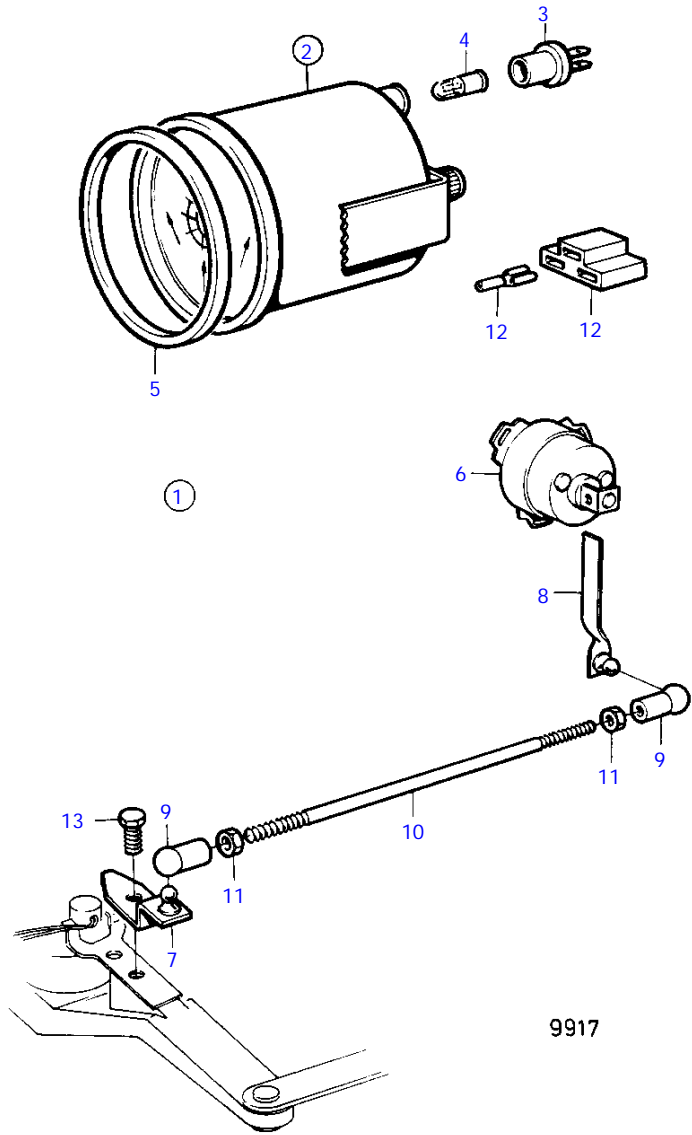
AQAD31A, AD31A, AD31B



AQAD31A, AD31A, AD31B

REF	PART NO.	QTY	DESCRIPTION	NOTES
1	853178	1	Rudder indicator	REPL BY 858886
2	863944	1	* Rudder indicator	(828698)
3	863945	1	* • Lamp socket	FOR RUDDER INDICATOR INSTRUMENTS WITH PART NO 828698 SHOULD BULB 19923 AND BULB HOLDER 808175 BE INSTALLED WHITE
4	863946	1	* • Bulb	FOR RUDDER INDICATOR INSTRUMENTS WITH PART NO 828698 SHOULD BULB 19923 AND BULB HOLDER 808175 BE INSTALLED, 12V, RED WHITE
5	828542	1	* Front ring	GOLD COLOURED DECOR STRIPE., REPL BY 858643
	858643	1	* Front ring	WHITE COLOURED DECOR STRIPE.
6	837772	1	* Position sensor	
7	853176	1	* Bracket	
8	853177	1	* Intermediate lever	
9	946704	1	* Ball socket	LEFT HAND THREADS.
	946703	1	* Ball socket	RIGHT HAND THREADS.
10	943549	1	* Control rod	
11	942836	1	* Hexagon nut	LEFT HAND THREADS.
	955780	1	* Hexagon nut	RIGHT HAND THREADS.
12		X	* CABLES AND TERMINALS	SEE GROUP 3
13	940199	1	Hexagon screw	

AQAD31A, AD31A, AD31B

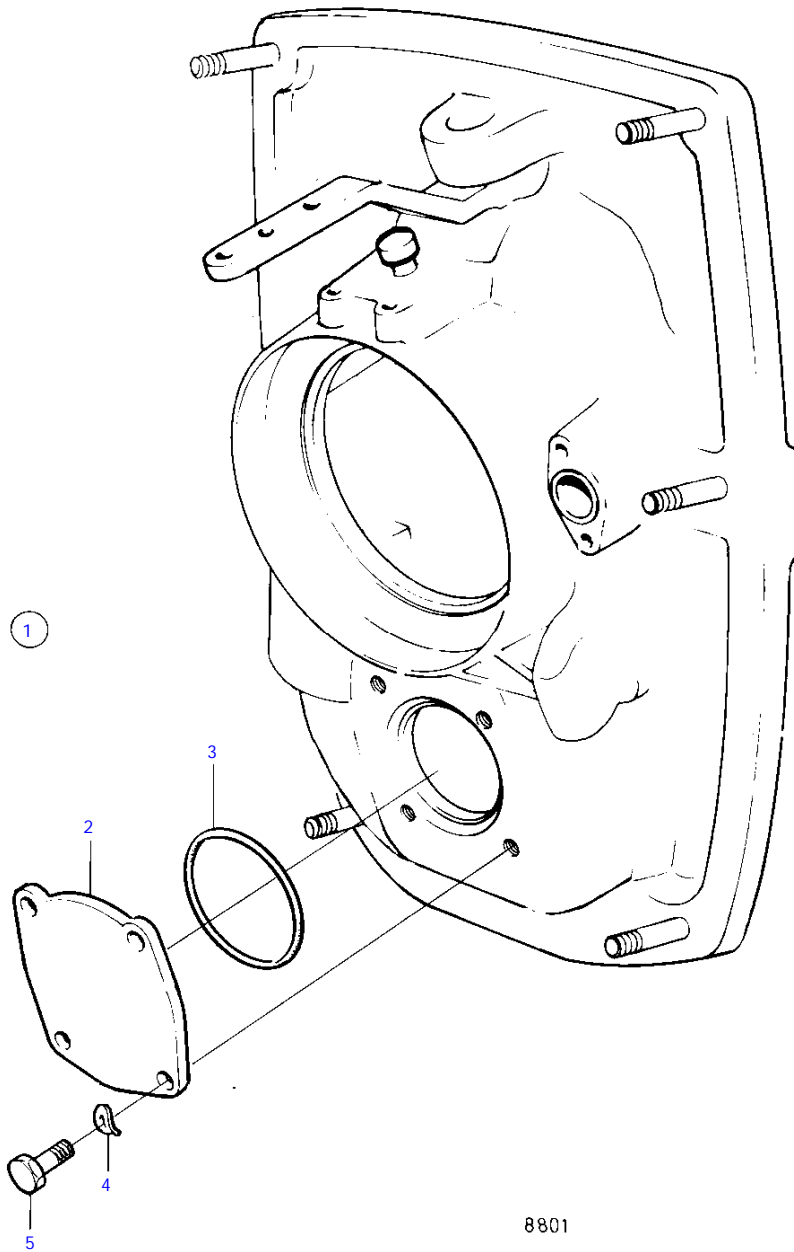


AQAD31A, AD31A, AD31B

REF	PART NO.	QTY	DESCRIPTION	NOTES
1	858886	1	Rudder indicator kit	
2	863944	1	* Rudder indicator	(828698)
3	863945	1	* • Lamp socket	FOR RUDDER INDICATOR INSTRUMENTS WITH PART NO 828698 SHOULD BE INSTALLED WHITE BULB 19923 AND BULB HOLDER 808175
4	863946	1	* • Bulb	FOR RUDDER INDICATOR INSTRUMENTS WITH PART NO 828698 SHOULD BE INSTALLED, 12V, RED WHITE BULB 19923 AND BULB HOLDER 808175
5	858643	1	* Front ring	WHITE COLOURED DECOR STRIPE.
6	837772	1	* Position sensor	
7	853176	1	* Bracket	
8	853177	1	* Intermediate lever	
9	946704	1	* Ball socket	LEFT HAND THREADS.
	946703	1	* Ball socket	RIGHT HAND THREADS.
10	943549	1	* Control rod	
11	942836	1	* Hexagon nut	LEFT HAND THREADS.
	955780	1	* Hexagon nut	RIGHT HAND THREADS.
12		X	* CABLES AND TERMINALS	SEE GROUP 3
13	940199	1	Hexagon screw	



AQAD31A, AD31B



MD31A

REF	PART NO.	QTY	DESCRIPTION
1	875704	1	Gasket kit
	949962	1	O-ring
	851755	1	Sealing ring
	852528	1	Sealing ring
	944138	1	Sealing ring
	943309	1	O-ring
	925062	1	O-ring
	925065	1	O-ring
	925093	1	O-ring
	1664473	1	O-ring
	925256	1	O-ring
	925262	1	O-ring
	949750	1	O-ring
	947084	1	Gasket
	958838	1	Sealing ring

REPAIR KITS REVERSE GEAR MS4A, MS4B

99

MD31A, TMD31A, TMD31B, TAMD31A, TAMD31B

REF	PART NO.	QTY	DESCRIPTION	NOTES
1	876073	1	Gasket kit	
	832669	1	* Gasket	
	853670	1	* Sealing ring	
	853670	1	* Sealing ring	
	853757	1	* Sealing ring	
	897682	1	* Gasket	
	925063	1	* O-ring	
	925065	1	* O-ring	
	925257	1	* O-ring	
	943244	1	* O-ring	
	944530	1	* Sealing ring	
	955974	1	* O-ring	
	955989	1	* O-ring	
	956000	1	* O-ring	
	958838	1	* Sealing ring	
	853757	1	* Sealing ring	(959026)
	960169	1	* O-ring	



MD31A

REF	PART NO.	QTY	DESCRIPTION	NOTES
1	876098	4	Cylinder liner kit	
		4	* CYLINDER LINER	
		4	* PISTON	
	1542160	4	* Piston pin	
	914519	8	* Snap ring	
		4	* SEAL RING, UPPER	
		12	* SEAL RING, LOWER	
		4	* PISTON RING, UPPER	
		4	* PISTON RING, LOWER	
		4	* OIL RING	
	275751	4	Sealing ring kit	
		4	* SEAL RING	
		8	* O-ring, MIDDLE-LOWER	
		4	* UPPER	
	275350	4	Piston ring kit	
		4	* COMPRESSION RING, UPP	
		4	* COMPRESSION RING, LOWER	
		4	* OIL RING	
	270111	4	Main bearing kit	STD
	270112	4	Main bearing kit	UNDER SIZE 0,25 MM
	270113	4	Main bearing kit	UNDER SIZE 0,50 MM
	270114	4	Main bearing kit, BIG-END BEARING KIT	UNDER SIZE 0,75 MM
	270467	5	Main bearing kit	STD
	270468	5	Main bearing kit	UNDER SIZE 0,25 MM
	270469	5	Main bearing kit	UNDER SIZE 0,50 MM
	270470	5	Main bearing kit, MAIN BEARING KIT	UNDER SIZE 0,75 MM
	270464	1	Thrust washer kit	STD
	270465	1	Thrust washer kit	OVER SIZE 0,1 MM
	270466	1	Thrust washer kit, THRUST WASHER KIT	OVER SIZE 0,2 MM
	876087	1	Repair kit, REPAIR KIT CIRCULATION PUMP	FOR 858485,859126
	70913	1	* Deflector	
	181538	1	* Ball bearing	
	421306	1	* Wear ring	
		1	* SHAFT	
	859027	1	* Gasket	
	914462	1	* Snap ring	
	941907	4	* Spring washer	
	1542198	1	* Sealing ring	
	1545283	1	* Sealing ring	
	1660609	1	* Ball bearing, BALL BEARING	
	876088	1	Repair kit, REPAIR KIT SEA WATER PUMP	
	11010	2	* Ball bearing	
	801566	1	* Screw	
	808285	1	* Screw	
	815573	1	* Cardboard tube	
		1	* CAM	
	827011	1	* Cam	
	827247	2	* Sealing ring	
	841693	6	* Screw	
		1	* SHAFT	
	914523	1	* Snap ring	
	960166	1	* O-ring, O-RING	
	273663	1	Repair kit, FUEL FEED PUMP	OBSOLETE PART, FOR 1542170
		1	* FILTER	
		1	* Gasket	
		2	* WASHER	
		2	* SCREW	
	876103	1	De-carbonizing kit, GASKET KIT DECARBONIZING	
	11994	4	* Gasket	
	469846	4	* Sealing ring	
	3582432	1	* Cylinder head gasket	
	838652	1	* Gasket	
	838654	2	* Gasket	
	876144	2	* Gasket kit	
	843449	1	* Gasket	
	838766	1	* Sealing ring	
	925067	6	* O-ring	
	940096	1	* Gasket	
	947624	1	* Gasket	
	957171	2	* Gasket	
	969198	2	* O-ring	
	859171	8	* Valve stem seal	
	1542052	2	* Sealing	
	1542187	1	* Gasket	
	1542198	1	* Sealing ring	
	876361	1	Overhaul gasket kit, GASKET KIT RECONDITIONING	(876105)

7745620

-99-19398 Upd:2010-07-19

MD31A

REF	PART NO.	QTY	DESCRIPTION	NOTES
	11994	8	* Gasket	
	969011	5	* Gasket	
	416033	2	* Sealing ring	
	418445	2	* Sealing ring	
	469482	2	* Sealing ring	
	469483	6	* Sealing ring	
	829487	1	* Gasket	
	838807	1	* Sealing ring	
	859086	2	* Sealing ring	
	858986	4	* Sealing ring	
	842913	3	* Sealing ring	
	859038	1	* Gasket	
	859111	1	* Gasket	
	859002	1	* Gasket	
	858570	1	* Sealing	
	968971	1	* O-ring	
	969011	4	* Gasket	(947621)
	947627	1	* Gasket	
	949187	1	* O-ring	
	949657	1	* O-ring	
	949658	3	* O-ring	
	955981	4	* O-ring	
	957171	8	* Gasket	
	957181	2	* Gasket	
	859039	1	* Gasket	
	859027	1	* Gasket	
	1542385	2	* Sealing ring	
	859033	1	* Gasket	

TMD31A

REF	PART NO.	QTY	DESCRIPTION	NOTES
1	876099	4	Cylinder liner kit	
		4	* CYLINDER LINER	
		4	* PISTON	
	1542160	4	* Piston pin	
	914519	8	* Snap ring	
		4	* SEAL RING, UPPER	
		12	* SEAL RING, LOWER	
		4	* PISTON RING, UPPER	
		4	* PISTON RING, LOWER	
		4	* OIL RING	
	275751	4	Sealing ring kit	
		4	* SEAL RING	
		8	* O-ring, MIDDLE-LOWER	
		4	* UPPER	
	275350	4	Piston ring kit	
		4	* COMPRESSION RING, UPP	
		4	* COMPRESSION RING, LOWER	
		4	* OIL RING	
	270111	4	Main bearing kit	STD
	270112	4	Main bearing kit	UNDER SIZE 0,25 MM
	270113	4	Main bearing kit	UNDER SIZE 0,50 MM
	270114	4	Main bearing kit, BIG-END BEARING KIT	UNDER SIZE 0,75 MM
	270467	5	Main bearing kit	STD
	270468	5	Main bearing kit	UNDER SIZE 0,25 MM
	270469	5	Main bearing kit	UNDER SIZE 0,50 MM
	270470	5	Main bearing kit, MAIN BEARING KIT	UNDER SIZE 0,75 MM
	270464	1	Thrust washer kit	STD
	270465	1	Thrust washer kit	OVER SIZE 0,1 MM
	270466	1	Thrust washer kit, THRUST WASHER KIT	OVER SIZE 0,2 MM
	875735	1	Repair kit, REPAIR KIT CIRCULATION PUMP	FOR 838698,859128
	70913	1	* Deflector	
	181538	1	* Ball bearing	
	1660609	1	* Ball bearing	
	421306	1	* Wear ring	
		1	* SHAFT	
	859027	1	* Gasket	
	914462	1	* Snap ring	
	941907	4	* Spring washer	
	1545283	1	* Sealing ring, SEAL RING	
	876088	1	Repair kit, REPAIR KIT SEA WATER PUMP	
	11010	2	* Ball bearing	
	801566	1	* Screw	
	808285	1	* Screw	
	815573	1	* Cardboard tube	
		1	* CAM	
	827011	1	* Cam	
	827247	2	* Sealing ring	
	841693	6	* Screw	
		1	* SHAFT	
	914523	1	* Snap ring	
	960166	1	* O-ring, O-RING	
	876312	1	Connector kit, GASKET KIT TURBO	(876108)
	11994	3	* Gasket	
	969011	2	* Gasket	
	420641	1	* Gasket	
	471449	1	* O-ring	
	838855	1	* Sealing ring	
	838864	1	* V-band clamp	
	860105	1	* Gasket	
	859111	1	* Gasket	
	907132	1	* Gasket	
	967944	1	* O-ring, O-RING	
	858709	1	Repair kit, REPAIR KIT TURBO	
	838562	2	* Bushing	OBsolete PART
	845042	4	* Lock ring	OBsolete PART
		2	* Piston ring	
	858710	1	* Thrust bearing	OBsolete PART
	845047	1	* Oil deflector	OBsolete PART
		1	* Piston ring	
	838567	1	* O-ring	
	838426	1	* O-ring	OBsolete PART
	845829	4	* Screw	
	838568	4	* Washer	OBsolete PART
	848711	1	* Lock nut	OBsolete PART
	858661	6	* Hexagon screw	
	858662	4	* Segment	OBsolete PART
	858664	3	* Segment	OBsolete PART

7745620

-99-19398B Upd:2010-07-19

TMD31A

REF	PART NO.	QTY	DESCRIPTION	NOTES
	955293	6	* Hexagon screw, SCREW	
	273663	1	Repair kit, FUEL FEED PUMP	OBSOLETE PART, FOR 1542170
		1	* FILTER	
		1	* Gasket	
		2	* WASHER	
		2	* SCREW	
	876103	1	De-carbonizing kit, GASKET KIT DECARBONIZING	
	11994	4	* Gasket	
	469846	4	* Sealing ring	
	3582432	1	* Cylinder head gasket	
	838652	1	* Gasket	
	838654	2	* Gasket	
	876144	2	* Gasket kit	
	843449	1	* Gasket	
	838766	1	* Sealing ring	
	925067	6	* O-ring	
	940096	1	* Gasket	
	947624	1	* Gasket	
	957171	2	* Gasket	
	969198	2	* O-ring	
	859171	8	* Valve stem seal	
	1542052	2	* Sealing	
	1542187	1	* Gasket	
	1542198	1	* Sealing ring	
	876361	1	Overhaul gasket kit, GASKET KIT RECONDITIONING	(876105)
	11994	8	* Gasket	
	969011	5	* Gasket	
	416033	2	* Sealing ring	
	418445	2	* Sealing ring	
	469482	2	* Sealing ring	
	469483	6	* Sealing ring	
	829487	1	* Gasket	
	838807	1	* Sealing ring	
	859086	2	* Sealing ring	
	858986	4	* Sealing ring	
	842913	3	* Sealing ring	
	859038	1	* Gasket	
	859111	1	* Gasket	
	859002	1	* Gasket	
	858570	1	* Sealing	
	968971	1	* O-ring	
	969011	4	* Gasket	(947621)
	947627	1	* Gasket	
	949187	1	* O-ring	
	949657	1	* O-ring	
	949658	3	* O-ring	
	955981	4	* O-ring	
	957171	8	* Gasket	
	957181	2	* Gasket	
	859039	1	* Gasket	
	859027	1	* Gasket	
	1542385	2	* Sealing ring	
	859033	1	* Gasket	

TAMD31A

REF	PART NO.	QTY	DESCRIPTION	NOTES
1	876099	4	Cylinder liner kit	
		4	* CYLINDER LINER	
		4	* PISTON	
	1542160	4	* Piston pin	
	914519	8	* Snap ring	
		4	* SEAL RING, UPPER	
		12	* SEAL RING, LOWER	
		4	* PISTON RING, UPPER	
		4	* PISTON RING, LOWER	
		4	* OIL RING	
	275751	4	Sealing ring kit	
		4	* SEAL RING	
		8	* O-ring, MIDDLE-LOWER	
		4	* UPPER	
	275350	4	Piston ring kit	
		4	* COMPRESSION RING, UPP	
		4	* COMPRESSION RING, LOWER	
		4	* OIL RING	
	270111	4	Main bearing kit	STD
	270112	4	Main bearing kit	UNDER SIZE 0,25 MM
	270113	4	Main bearing kit	UNDER SIZE 0,50 MM
	270114	4	Main bearing kit, BIG-END BEARING KIT	UNDER SIZE 0,75 MM
	270467	5	Main bearing kit	STD
	270468	5	Main bearing kit	UNDER SIZE 0,25 MM
	270469	5	Main bearing kit	UNDER SIZE 0,50 MM
	270470	5	Main bearing kit, MAIN BEARING KIT	UNDER SIZE 0,75 MM
	270464	1	Thrust washer kit	STD
	270465	1	Thrust washer kit	OVER SIZE 0,1 MM
	270466	1	Thrust washer kit, THRUST WASHER KIT	OVER SIZE 0,2 MM
	875735	1	Repair kit, REPAIR KIT CIRCULATION PUMP	FOR 838698,859128
	70913	1	* Deflector	
	181538	1	* Ball bearing	
	1660609	1	* Ball bearing	
	421306	1	* Wear ring	
		1	* SHAFT	
	859027	1	* Gasket	
	914462	1	* Snap ring	
	941907	4	* Spring washer	
	1545283	1	* Sealing ring, SEAL RING	
	876088	1	Repair kit, REPAIR KIT SEA WATER PUMP	
	11010	2	* Ball bearing	
	801566	1	* Screw	
	808285	1	* Screw	
	815573	1	* Cardboard tube	
		1	* CAM	
	827011	1	* Cam	
	827247	2	* Sealing ring	
	841693	6	* Screw	
		1	* SHAFT	
	914523	1	* Snap ring	
	960166	1	* O-ring, O-RING	
	876312	1	Connector kit, GASKET KIT TURBO	(876108)
	11994	3	* Gasket	
	969011	2	* Gasket	
	420641	1	* Gasket	
	471449	1	* O-ring	
	838855	1	* Sealing ring	
	838864	1	* V-band clamp	
	860105	1	* Gasket	
	859111	1	* Gasket	
	907132	1	* Gasket	
	967944	1	* O-ring, O-RING	
	858709	1	Repair kit, REPAIR KIT TURBO	
	838562	2	* Bushing	OBsolete PART
	845042	4	* Lock ring	OBsolete PART
		2	* Piston ring	
	858710	1	* Thrust bearing	OBsolete PART
	845047	1	* Oil deflector	OBsolete PART
		1	* Piston ring	
	838567	1	* O-ring	
	838426	1	* O-ring	OBsolete PART
	845829	4	* Screw	
	838568	4	* Washer	OBsolete PART
	848711	1	* Lock nut	OBsolete PART
	858661	6	* Hexagon screw	
	858662	4	* Segment	OBsolete PART
	858664	3	* Segment	OBsolete PART

TAMD31A

REF	PART NO.	QTY	DESCRIPTION	NOTES
	955293	6	* Hexagon screw, SCREW	
	876110	1	Gasket kit, GASKET KIT AFTER COOLER	
	471449	1	* O-ring	
	838720	2	* Seal	
	838831	1	* Sealing strip	
	847573	1	* Sealing strip	
	858979	1	* Sealing ring	
	858986	4	* Sealing ring, SEAL RING	
	273663	1	Repair kit, FUEL FEED PUMP	OBSOLETE PART, FOR 1542170
		1	* FILTER	
		1	* Gasket	
		2	* WASHER	
		2	* SCREW	
	876103	1	De-carbonizing kit, GASKET KIT DECARBONIZING	
	11994	4	* Gasket	
	469846	4	* Sealing ring	
	3582432	1	* Cylinder head gasket	
	838652	1	* Gasket	
	838654	2	* Gasket	
	876144	2	* Gasket kit	
	843449	1	* Gasket	
	838766	1	* Sealing ring	
	925067	6	* O-ring	
	940096	1	* Gasket	
	947624	1	* Gasket	
	957171	2	* Gasket	
	969198	2	* O-ring	
	859171	8	* Valve stem seal	
	1542052	2	* Sealing	
	1542187	1	* Gasket	
	1542198	1	* Sealing ring	
	876361	1	Overhaul gasket kit, GASKET KIT RECONDITIONING	(876105)
	11994	8	* Gasket	
	969011	5	* Gasket	
	416033	2	* Sealing ring	
	418445	2	* Sealing ring	
	469482	2	* Sealing ring	
	469483	6	* Sealing ring	
	829487	1	* Gasket	
	838807	1	* Sealing ring	
	859086	2	* Sealing ring	
	858986	4	* Sealing ring	
	842913	3	* Sealing ring	
	859038	1	* Gasket	
	859111	1	* Gasket	
	859002	1	* Gasket	
	858570	1	* Sealing	
	968971	1	* O-ring	
	969011	4	* Gasket	(947621)
	947627	1	* Gasket	
	949187	1	* O-ring	
	949657	1	* O-ring	
	949658	3	* O-ring	
	955981	4	* O-ring	
	957171	8	* Gasket	
	957181	2	* Gasket	
	859039	1	* Gasket	
	859027	1	* Gasket	
	1542385	2	* Sealing ring	
	859033	1	* Gasket	

REF	PART NO.	QTY	DESCRIPTION	NOTES
1	876099	4	Cylinder liner kit	
		4	* CYLINDER LINER	
		4	* PISTON	
	1542160	4	* Piston pin	
	914519	8	* Snap ring	
		4	* SEAL RING, UPPER	
		12	* SEAL RING, LOWER	
		4	* PISTON RING, UPPER	
		4	* PISTON RING, LOWER	
		4	* OIL RING	
	275751	4	Sealing ring kit	
		4	* SEAL RING	
		8	* O-ring, MIDDLE-LOWER	
		4	* UPPER	
	275350	4	Piston ring kit	
		4	* COMPRESSION RING, UPP	
		4	* COMPRESSION RING, LOWER	
		4	* OIL RING	
	270111	4	Main bearing kit	STD
	270112	4	Main bearing kit	UNDER SIZE 0,25 MM
	270113	4	Main bearing kit	UNDER SIZE 0,50 MM
	270114	4	Main bearing kit, BIG-END BEARING KIT	UNDER SIZE 0,75 MM
	270467	5	Main bearing kit	STD
	270468	5	Main bearing kit	UNDER SIZE 0,25 MM
	270469	5	Main bearing kit	UNDER SIZE 0,50 MM
	270470	5	Main bearing kit, MAIN BEARING KIT	UNDER SIZE 0,75 MM
	270464	1	Thrust washer kit	STD
	270465	1	Thrust washer kit	OVER SIZE 0,1 MM
	270466	1	Thrust washer kit, THRUST WASHER KIT	OVER SIZE 0,2 MM
	875735	1	Repair kit, REPAIR KIT CIRCULATION PUMP	FOR 838698,859128
	70913	1	* Deflector	
	181538	1	* Ball bearing	
	1660609	1	* Ball bearing	
	421306	1	* Wear ring	
		1	* SHAFT	
	859027	1	* Gasket	
	914462	1	* Snap ring	
	941907	4	* Spring washer	
	1545283	1	* Sealing ring, SEAL RING	
	876088	1	Repair kit, REPAIR KIT SEA WATER PUMP	
	11010	2	* Ball bearing	
	801566	1	* Screw	
	808285	1	* Screw	
	815573	1	* Cardboard tube	
		1	* CAM	
	827011	1	* Cam	
	827247	2	* Sealing ring	
	841693	6	* Screw	
		1	* SHAFT	
	914523	1	* Snap ring	
	960166	1	* O-ring, O-RING	
	876312	1	Connector kit, GASKET KIT TURBO	(876108)
	11994	3	* Gasket	
	969011	2	* Gasket	
	420641	1	* Gasket	
	471449	1	* O-ring	
	838855	1	* Sealing ring	
	838864	1	* V-band clamp	
	860105	1	* Gasket	
	859111	1	* Gasket	
	907132	1	* Gasket	
	967944	1	* O-ring, O-RING	
	858709	1	Repair kit, REPAIR KIT TURBO	
	838562	2	* Bushing	OBsolete PART
	845042	4	* Lock ring	OBsolete PART
		2	* Piston ring	
	858710	1	* Thrust bearing	OBsolete PART
	845047	1	* Oil deflector	OBsolete PART
		1	* Piston ring	
	838567	1	* O-ring	
	838426	1	* O-ring	OBsolete PART
	845829	4	* Screw	
	838568	4	* Washer	OBsolete PART
	848711	1	* Lock nut	OBsolete PART
	858661	6	* Hexagon screw	
	858662	4	* Segment	OBsolete PART
	858664	3	* Segment	OBsolete PART

--

REF	PART NO.	QTY	DESCRIPTION	NOTES
	955293	6	* Hexagon screw, SCREW	
	876110	1	Gasket kit, GASKET KIT AFTER COOLER	
	471449	1	* O-ring	
	838720	2	* Seal	
	838831	1	* Sealing strip	
	847573	1	* Sealing strip	
	858979	1	* Sealing ring	
	858986	4	* Sealing ring, SEAL RING	
	273663	1	Repair kit, FUEL FEED PUMP	OBSOLETE PART, FOR 1542170
		1	* FILTER	
		1	* Gasket	
		2	* WASHER	
		2	* SCREW	
	876103	1	De-carbonizing kit, GASKET KIT DECARBONIZING	
	11994	4	* Gasket	
	469846	4	* Sealing ring	
	3582432	1	* Cylinder head gasket	
	838652	1	* Gasket	
	838654	2	* Gasket	
	876144	2	* Gasket kit	
	843449	1	* Gasket	
	838766	1	* Sealing ring	
	925067	6	* O-ring	
	940096	1	* Gasket	
	947624	1	* Gasket	
	957171	2	* Gasket	
	969198	2	* O-ring	
	859171	8	* Valve stem seal	
	1542052	2	* Sealing	
	1542187	1	* Gasket	
	1542198	1	* Sealing ring	
	876361	1	Overhaul gasket kit, GASKET KIT RECONDITIONING	(876105)
	11994	8	* Gasket	
	969011	5	* Gasket	
	416033	2	* Sealing ring	
	418445	2	* Sealing ring	
	469482	2	* Sealing ring	
	469483	6	* Sealing ring	
	829487	1	* Gasket	
	838807	1	* Sealing ring	
	859086	2	* Sealing ring	
	858986	4	* Sealing ring	
	842913	3	* Sealing ring	
	859038	1	* Gasket	
	859111	1	* Gasket	
	859002	1	* Gasket	
	858570	1	* Sealing	
	968971	1	* O-ring	
	969011	4	* Gasket	(947621)
	947627	1	* Gasket	
	949187	1	* O-ring	
	949657	1	* O-ring	
	949658	3	* O-ring	
	955981	4	* O-ring	
	957171	8	* Gasket	
	957181	2	* Gasket	
	859039	1	* Gasket	
	859027	1	* Gasket	
	1542385	2	* Sealing ring	
	859033	1	* Gasket	



TMD31B

REF	PART NO.	QTY	DESCRIPTION	NOTES
1	876261	4	Cylinder liner kit	
		4	* CYLINDER LINER	
		4	* PISTON	
	1542160	4	* Piston pin	
	914519	8	* Snap ring	
		4	* O-RING	
		12	* O-ring	
		4	* PISTON RING, UPPER	
		4	* PISTON RING, LOWER	
		4	* OIL RING	
	275751	4	Sealing ring kit	
		4	* SEAL RING	
		8	* O-ring, MIDDLE-LOWER	
		4	* UPPER	
	275350	4	Piston ring kit	
		4	* PISTON RING, UPPER	
		4	* PISTON RING, LOWER	
		4	* OIL RING	
	270111	4	Main bearing kit	STD D
	270112	4	Main bearing kit	UNDER SIZE 0,25 MM
	270113	4	Main bearing kit	UNDER SIZE 0,50 MM
	270114	4	Main bearing kit, BIG-END BEARING KIT	UNDER SIZE 0,75 MM
	270467	5	Main bearing kit	STD D
	270468	5	Main bearing kit	UNDER SIZE 0,25 MM
	270469	5	Main bearing kit	UNDER SIZE 0,50 MM
	270470	5	Main bearing kit, MAIN BEARING KIT	UNDER SIZE 0,75 MM
	270464	1	Thrust washer kit	STD D
	270465	1	Thrust washer kit	OVER SIZE 0,10 MM
	270466	1	Thrust washer kit, THRUST WASHER KIT	OVER SIZE 0,20 MM
	875735	1	Repair kit, REPAIR KIT CIRCULATION PUMP	FOR 859128
	70913	1	* Deflector	
	181538	1	* Ball bearing	
	1660609	1	* Ball bearing	
	421306	1	* Wear ring	
		1	* SHAFT	
	859027	1	* Gasket	
	914462	1	* Snap ring	
	941907	4	* Spring washer	
	1545283	1	* Sealing ring, SEAL RING	
	876088	1	Repair kit, REPAIR KIT SEA WATER PUMP	
	11010	2	* Ball bearing	
	801566	1	* Screw	
	808285	1	* Screw	
	815573	1	* Cardboard tube	
		1	* CAM	
	827011	1	* Cam	
	827247	2	* Sealing ring	
	841693	6	* Screw	
		1	* SHAFT	
	914523	1	* Snap ring	
	960166	1	* O-ring, O-RING	
	876312	1	Connector kit, GASKET KIT TURBO	
	11994	3	* Gasket	
	969011	2	* Gasket	
	420641	1	* Gasket	
	471449	1	* O-ring	
	838855	1	* Sealing ring	
	838864	1	* V-band clamp	
	860105	1	* Gasket	
	859111	1	* Gasket	
	967944	1	* O-ring	
	907132	1	* Gasket, Gasket	
	858709	1	Repair kit, REPAIR KIT TURBO	
	838562	2	* Bushing	OBsolete PART
	845042	4	* Lock ring	OBsolete PART
		2	* Piston ring	
	858710	1	* Thrust bearing	OBsolete PART
	845047	1	* Oil deflector	OBsolete PART
		1	* Piston ring	
	838567	1	* O-ring	
	838426	1	* O-ring	OBsolete PART
	845829	4	* Screw	
	838568	4	* Washer	OBsolete PART
	848711	1	* Lock nut	OBsolete PART
	858661	6	* Hexagon screw	
	858662	4	* Segment	OBsolete PART
	858664	3	* Segment	OBsolete PART

7745620

-99-19400 Upd:2010-07-19

TMD31B

REF	PART NO.	QTY	DESCRIPTION	NOTES
	955293	6	* Hexagon screw, SCREW	
	273663	1	Repair kit, FUEL FEED PUMP	OBSOLETE PART, FOR 1542170
		1	* FILTER	
		1	* Gasket	
		2	* WASHER	
		2	* SCREW	
	876103	1	De-carbonizing kit, GASKET KIT DECARBONIZING	
	11994	4	* Gasket	
	469846	4	* Sealing ring	
	3582432	1	* Cylinder head gasket	
	838652	1	* Gasket	
	838654	2	* Gasket	
	876144	2	* Gasket kit	
	843449	1	* Gasket	
	838766	1	* Sealing ring	
	925067	6	* O-ring	
	940096	1	* Gasket	
	947624	1	* Gasket	
	957171	2	* Gasket	
	969198	2	* O-ring	
	859171	8	* Valve stem seal	
	1542052	2	* Sealing	
	1542187	1	* Gasket	
	1542198	1	* Sealing ring, SEAL RING	
	876361	1	Overhaul gasket kit, GASKET KIT RECONDITIONING	
	11994	8	* Gasket	
	969011	5	* Gasket	
	416033	2	* Sealing ring	
	418445	2	* Sealing ring	
	469482	2	* Sealing ring	
	469483	6	* Sealing ring	
	829487	1	* Gasket	
	838807	1	* Sealing ring	
	859086	2	* Sealing ring	
	858986	4	* Sealing ring	
	842913	3	* Sealing ring	
	859038	1	* Gasket	
	859111	1	* Gasket	
	859002	1	* Gasket	
	858570	1	* Sealing	
	968971	1	* O-ring	
	947621	4	* Gasket	
	947627	1	* Gasket	
	949187	1	* O-ring	
	949657	1	* O-ring	
	949658	3	* O-ring	
	955981	4	* O-ring	
	957171	8	* Gasket	
	957181	2	* Gasket	
	859039	1	* Gasket	
	859027	1	* Gasket	
	1542385	2	* Sealing ring	
	859033	1	* Gasket	

TAMD31B

REF	PART NO.	QTY	DESCRIPTION	NOTES
1	876261	4	Cylinder liner kit	
		4	* CYLINDER LINER	
		4	* PISTON	
	1542160	4	* Piston pin	
	914519	8	* Snap ring	
		4	* O-RING	
		12	* O-ring	
		4	* PISTON RING, UPPER	
		4	* PISTON RING, LOWER	
		4	* OIL RING	
	275751	4	Sealing ring kit	
		4	* SEAL RING	
		8	* O-ring, MIDDLE-LOWER	
		4	* UPPER	
	275350	4	Piston ring kit	
		4	* PISTON RING, UPPER	
		4	* PISTON RING, LOWER	
		4	* OIL RING	
	270111	4	Main bearing kit	STD D
	270112	4	Main bearing kit	UNDER SIZE 0,25 MM
	270113	4	Main bearing kit	UNDER SIZE 0,50 MM
	270114	4	Main bearing kit, BIG-END BEARING KIT	UNDER SIZE 0,75 MM
	270467	5	Main bearing kit	STD D
	270468	5	Main bearing kit	UNDER SIZE 0,25 MM
	270469	5	Main bearing kit	UNDER SIZE 0,50 MM
	270470	5	Main bearing kit, MAIN BEARING KIT	UNDER SIZE 0,75 MM
	270464	1	Thrust washer kit	STD D
	270465	1	Thrust washer kit	OVER SIZE 0,10 MM
	270466	1	Thrust washer kit, THRUST WASHER KIT	OVER SIZE 0,20 MM
	875735	1	Repair kit, REPAIR KIT CIRCULATION PUMP	FOR 859128
	70913	1	* Deflector	
	181538	1	* Ball bearing	
	1660609	1	* Ball bearing	
	421306	1	* Wear ring	
		1	* SHAFT	
	859027	1	* Gasket	
	914462	1	* Snap ring	
	941907	4	* Spring washer	
	1545283	1	* Sealing ring, SEAL RING	
	876088	1	Repair kit, REPAIR KIT SEA WATER PUMP	
	11010	2	* Ball bearing	
	801566	1	* Screw	
	808285	1	* Screw	
	815573	1	* Cardboard tube	
		1	* CAM	
	827011	1	* Cam	
	827247	2	* Sealing ring	
	841693	6	* Screw	
		1	* SHAFT	
	914523	1	* Snap ring	
	960166	1	* O-ring, O-RING	
	876312	1	Connector kit, GASKET KIT TURBO	
	11994	3	* Gasket	
	969011	2	* Gasket	
	420641	1	* Gasket	
	471449	1	* O-ring	
	838855	1	* Sealing ring	
	838864	1	* V-band clamp	
	860105	1	* Gasket	
	859111	1	* Gasket	
	967944	1	* O-ring	
	907132	1	* Gasket, Gasket	
	858709	1	Repair kit, REPAIR KIT TURBO	
	838562	2	* Bushing	OBSOLETE PART
	845042	4	* Lock ring	OBSOLETE PART
		2	* Piston ring	
	858710	1	* Thrust bearing	OBSOLETE PART
	845047	1	* Oil deflector	OBSOLETE PART
		1	* Piston ring	
	838567	1	* O-ring	
	838426	1	* O-ring	OBSOLETE PART
	845829	4	* Screw	
	838568	4	* Washer	OBSOLETE PART
	848711	1	* Lock nut	OBSOLETE PART
	858661	6	* Hexagon screw	
	858662	4	* Segment	OBSOLETE PART
	858664	3	* Segment	OBSOLETE PART

TAMD31B

REF	PART NO.	QTY	DESCRIPTION	NOTES
	955293	6	* Hexagon screw, SCREW	
	876110	1	Gasket kit, GASKET KIT AFTER COOLER	
	471449	1	* O-ring	
	838720	2	* Seal	
	838831	1	* Sealing strip	
	847573	1	* Sealing strip	
	858979	1	* Sealing ring	
	858986	4	* Sealing ring, SEAL RING	
	876103	1	De-carbonizing kit, GASKET KIT DECARBONIZING	
	11994	4	* Gasket	
	469846	4	* Sealing ring	
	3582432	1	* Cylinder head gasket	
	838652	1	* Gasket	
	838654	2	* Gasket	
	876144	2	* Gasket kit	
	843449	1	* Gasket	
	838766	1	* Sealing ring	
	925067	6	* O-ring	
	940096	1	* Gasket	
	947624	1	* Gasket	
	957171	2	* Gasket	
	969198	2	* O-ring	
	859171	8	* Valve stem seal	
	1542052	2	* Sealing	
	1542187	1	* Gasket	
	1542198	1	* Sealing ring, SEAL RING	
	876361	1	Overhaul gasket kit, GASKET KIT RECONDITIONING	
	11994	8	* Gasket	
	969011	5	* Gasket	
	416033	2	* Sealing ring	
	418445	2	* Sealing ring	
	469482	2	* Sealing ring	
	469483	6	* Sealing ring	
	829487	1	* Gasket	
	838807	1	* Sealing ring	
	859086	2	* Sealing ring	
	858986	4	* Sealing ring	
	842913	3	* Sealing ring	
	859038	1	* Gasket	
	859111	1	* Gasket	
	859002	1	* Gasket	
	858570	1	* Sealing	
	968971	1	* O-ring	
	947621	4	* Gasket	
	947627	1	* Gasket	
	949187	1	* O-ring	
	949657	1	* O-ring	
	949658	3	* O-ring	
	955981	4	* O-ring	
	957171	8	* Gasket	
	957181	2	* Gasket	
	859039	1	* Gasket	
	859027	1	* Gasket	
	1542385	2	* Sealing ring	
	859033	1	* Gasket	

AD31B

REF	PART NO.	QTY	DESCRIPTION	NOTES
1	876261	4	Cylinder liner kit	
		4	* CYLINDER LINER	
		4	* PISTON	
	1542160	4	* Piston pin	
	914519	8	* Snap ring	
		4	* O-RING	
		12	* O-ring	
		4	* PISTON RING, UPPER	
		4	* PISTON RING, LOWER	
		4	* OIL RING	
	275751	4	Sealing ring kit	
		4	* SEAL RING	
		8	* O-ring, MIDDLE-LOWER	
		4	* UPPER	
	275350	4	Piston ring kit	
		4	* PISTON RING, UPPER	
		4	* PISTON RING, LOWER	
		4	* OIL RING	
	270111	4	Main bearing kit	STD D
	270112	4	Main bearing kit	UNDER SIZE 0,25 MM
	270113	4	Main bearing kit	UNDER SIZE 0,50 MM
	270114	4	Main bearing kit, BIG-END BEARING KIT	UNDER SIZE 0,75 MM
	270467	5	Main bearing kit	STD D
	270468	5	Main bearing kit	UNDER SIZE 0,25 MM
	270469	5	Main bearing kit	UNDER SIZE 0,50 MM
	270470	5	Main bearing kit, MAIN BEARING KIT	UNDER SIZE 0,75 MM
	270464	1	Thrust washer kit	STD D
	270465	1	Thrust washer kit	OVER SIZE 0,10 MM
	270466	1	Thrust washer kit, THRUST WASHER KIT	OVER SIZE 0,20 MM
	875735	1	Repair kit, REPAIR KIT CIRCULATION PUMP	FOR 859128
	70913	1	* Deflector	
	181538	1	* Ball bearing	
	1660609	1	* Ball bearing	
	421306	1	* Wear ring	
		1	* SHAFT	
	859027	1	* Gasket	
	914462	1	* Snap ring	
	941907	4	* Spring washer	
	1545283	1	* Sealing ring, SEAL RING	
	876088	1	Repair kit, REPAIR KIT SEA WATER PUMP	
	11010	2	* Ball bearing	
	801566	1	* Screw	
	808285	1	* Screw	
	815573	1	* Cardboard tube	
		1	* CAM	
	827011	1	* Cam	
	827247	2	* Sealing ring	
	841693	6	* Screw	
		1	* SHAFT	
	914523	1	* Snap ring	
	960166	1	* O-ring, O-RING	
	876312	1	Connector kit, GASKET KIT TURBO	
	11994	3	* Gasket	
	969011	2	* Gasket	
	420641	1	* Gasket	
	471449	1	* O-ring	
	838855	1	* Sealing ring	
	838864	1	* V-band clamp	
	860105	1	* Gasket	
	859111	1	* Gasket	
	967944	1	* O-ring	
	907132	1	* Gasket, Gasket	
	858709	1	Repair kit, REPAIR KIT TURBO	
	838562	2	* Bushing	OBSOLETE PART
	845042	4	* Lock ring	OBSOLETE PART
		2	* Piston ring	
	858710	1	* Thrust bearing	OBSOLETE PART
	845047	1	* Oil deflector	OBSOLETE PART
		1	* Piston ring	
	838567	1	* O-ring	
	838426	1	* O-ring	OBSOLETE PART
	845829	4	* Screw	
	838568	4	* Washer	OBSOLETE PART
	848711	1	* Lock nut	OBSOLETE PART
	858661	6	* Hexagon screw	
	858662	4	* Segment	OBSOLETE PART
	858664	3	* Segment	OBSOLETE PART

7745620

-99-19400C Upd:2010-07-19

AD31B

REF	PART NO.	QTY	DESCRIPTION	NOTES
	955293	6	* Hexagon screw, SCREW	
	876110	1	Gasket kit, GASKET KIT AFTER COOLER	
	471449	1	* O-ring	
	838720	2	* Seal	
	838831	1	* Sealing strip	
	847573	1	* Sealing strip	
	858979	1	* Sealing ring	
	858986	4	* Sealing ring, SEAL RING	
	876103	1	De-carbonizing kit, GASKET KIT DECARBONIZING	
	11994	4	* Gasket	
	469846	4	* Sealing ring	
	3582432	1	* Cylinder head gasket	
	838652	1	* Gasket	
	838654	2	* Gasket	
	876144	2	* Gasket kit	
	843449	1	* Gasket	
	838766	1	* Sealing ring	
	925067	6	* O-ring	
	940096	1	* Gasket	
	947624	1	* Gasket	
	957171	2	* Gasket	
	969198	2	* O-ring	
	859171	8	* Valve stem seal	
	1542052	2	* Sealing	
	1542187	1	* Gasket	
	1542198	1	* Sealing ring, SEAL RING	
	876361	1	Overhaul gasket kit, GASKET KIT RECONDITIONING	
	11994	8	* Gasket	
	969011	5	* Gasket	
	416033	2	* Sealing ring	
	418445	2	* Sealing ring	
	469482	2	* Sealing ring	
	469483	6	* Sealing ring	
	829487	1	* Gasket	
	838807	1	* Sealing ring	
	859086	2	* Sealing ring	
	858986	4	* Sealing ring	
	842913	3	* Sealing ring	
	859038	1	* Gasket	
	859111	1	* Gasket	
	859002	1	* Gasket	
	858570	1	* Sealing	
	968971	1	* O-ring	
	947621	4	* Gasket	
	947627	1	* Gasket	
	949187	1	* O-ring	
	949657	1	* O-ring	
	949658	3	* O-ring	
	955981	4	* O-ring	
	957171	8	* Gasket	
	957181	2	* Gasket	
	859039	1	* Gasket	
	859027	1	* Gasket	
	1542385	2	* Sealing ring	
	859033	1	* Gasket	

7745620

-99-19400C Upd:2010-07-19

AQAD31A, AD31A

REF	PART NO.	QTY	DESCRIPTION	NOTES
1	876099	4	Cylinder liner kit	
		4	* CYLINDER LINER	
		4	* PISTON	
	1542160	4	* Piston pin	
	914519	8	* Snap ring	
		4	* SEAL RING, UPPER	
		12	* SEAL RING, LOWER	
		4	* PISTON RING, UPPER	
		4	* PISTON RING, LOWER	
		4	* OIL RING	
	275751	4	Sealing ring kit	
		4	* SEAL RING	
		8	* O-ring, MIDDLE-LOWER	
		4	* UPPER	
	275350	4	Piston ring kit	
		4	* COMPRESSION RING, UPP	
		4	* COMPRESSION RING, LOWER	
		4	* OIL RING	
	270111	4	Main bearing kit	STD
	270112	4	Main bearing kit	UNDER SIZE 0,25 MM
	270113	4	Main bearing kit	UNDER SIZE 0,50 MM
	270114	4	Main bearing kit, BIG-END BEARING KIT	UNDER SIZE 0,75 MM
	270467	5	Main bearing kit	STD
	270468	5	Main bearing kit	UNDER SIZE 0,25 MM
	270469	5	Main bearing kit	UNDER SIZE 0,50 MM
	270470	5	Main bearing kit, MAIN BEARING KIT	UNDER SIZE 0,75 MM
	270464	1	Thrust washer kit	STD
	270465	1	Thrust washer kit	OVER SIZE 0,1 MM
	270466	1	Thrust washer kit, THRUST WASHER KIT	OVER SIZE 0,2 MM
	875735	1	Repair kit, REPAIR KIT CIRCULATION PUMP	FOR 838698,859128
	70913	1	* Deflector	
	181538	1	* Ball bearing	
	1660609	1	* Ball bearing	
	421306	1	* Wear ring	
		1	* SHAFT	
	859027	1	* Gasket	
	914462	1	* Snap ring	
	941907	4	* Spring washer	
	1545283	1	* Sealing ring, SEAL RING	
	876088	1	Repair kit, REPAIR KIT SEA WATER PUMP	
	11010	2	* Ball bearing	
	801566	1	* Screw	
	808285	1	* Screw	
	815573	1	* Cardboard tube	
		1	* CAM	
	827011	1	* Cam	
	827247	2	* Sealing ring	
	841693	6	* Screw	
		1	* SHAFT	
	914523	1	* Snap ring	
	960166	1	* O-ring, O-RING	
	876312	1	Connector kit, GASKET KIT TURBO	(876108)
	11994	3	* Gasket	
	969011	2	* Gasket	
	420641	1	* Gasket	(466393)
	471449	1	* O-ring	
	838855	1	* Sealing ring	
	838864	1	* V-band clamp	
	860105	1	* Gasket	
	859111	1	* Gasket	
	907132	1	* Gasket	
	967944	1	* O-ring, O-RING	
	858709	1	Repair kit, REPAIR KIT TURBO	
	838562	2	* Bushing	OBsolete PART
	845042	4	* Lock ring	OBsolete PART
		2	* Piston ring	
	858710	1	* Thrust bearing	OBsolete PART
	845047	1	* Oil deflector	OBsolete PART
		1	* Piston ring	
	845036	1	* O-ring	
	838426	1	* O-ring	OBsolete PART
	845829	4	* Screw	
	838568	4	* Washer	OBsolete PART
	848711	1	* Lock nut	OBsolete PART
	858661	6	* Hexagon screw	
	858662	4	* Segment	OBsolete PART
	858664	3	* Segment	OBsolete PART

AQAD31A, AD31A

REF	PART NO.	QTY	DESCRIPTION	NOTES
	955293	6	* Hexagon screw, SCREW	
	876110	1	Gasket kit, GASKET KIT AFTER COOLER	
	471449	1	* O-ring	
	838720	2	* Seal	
	838831	1	* Sealing strip	
	847573	1	* Sealing strip	
	858979	1	* Sealing ring	
	858986	4	* Sealing ring, SEAL RING	
	273663	1	Repair kit, FUEL FEED PUMP	OBSOLETE PART, FOR 1542170
		1	* FILTER	
		1	* Gasket	
		2	* WASHER	
		2	* SCREW	
	876103	1	De-carbonizing kit, GASKET KIT DECARBONIZING	
	11994	4	* Gasket	
	469846	4	* Sealing ring	
	3582432	1	* Cylinder head gasket	
	838652	1	* Gasket	
	838654	2	* Gasket	
	876144	2	* Gasket kit	
	843449	1	* Gasket	
	838766	1	* Sealing ring	
	925067	6	* O-ring	
	940096	1	* Gasket	
	947624	1	* Gasket	
	957171	2	* Gasket	
	969198	2	* O-ring	
	859171	8	* Valve stem seal	
	1542052	2	* Sealing	
	1542187	1	* Gasket	
	1542198	1	* Sealing ring	
	876361	1	Overhaul gasket kit, GASKET KIT RECONDITIONING	(876105)
	11994	8	* Gasket	
	969011	5	* Gasket	
	416033	2	* Sealing ring	
	418445	2	* Sealing ring	
	469482	2	* Sealing ring	
	469483	6	* Sealing ring	
	829487	1	* Gasket	
	838807	1	* Sealing ring	
	859086	2	* Sealing ring	
	858986	4	* Sealing ring	
	842913	3	* Sealing ring	
	859038	1	* Gasket	
	859111	1	* Gasket	
	859002	1	* Gasket	
	858570	1	* Sealing	
	968971	1	* O-ring	
	969011	4	* Gasket	(947621)
	947627	1	* Gasket	
	949187	1	* O-ring	
	949657	1	* O-ring	
	949658	3	* O-ring	
	955981	4	* O-ring	
	957171	8	* Gasket	
	957181	2	* Gasket	
	859039	1	* Gasket	
	859027	1	* Gasket	
	1542385	2	* Sealing ring	
	859033	1	* Gasket	

AQAD31A, AD31A, AD31B

REF	PART NO.	QTY	DESCRIPTION
1	875192	1	Gasket kit, COMPL. DRIVE UNIT
	876266	1	Gasket kit, UPPER GEAR UNIT
	17253	2	* Split pin
	17276	1	* Split pin
	125017	1	* O-ring
	181620	1	* Sealing ring
	814356	1	* Sealing
	832669	1	* Gasket
	876279	1	* Bushing kit
	853670	1	* Sealing ring
	853868	1	* Sealing ring
	897682	1	* Gasket
	925093	1	* O-ring
	925095	1	* O-ring
	925259	1	* O-ring
	955974	1	* O-ring
	955989	1	* O-ring
	956000	1	* O-ring, O-RING
	876268	1	Gasket kit, LOWER GEAR UNIT
	125017	1	* O-ring
	814164	1	* Nut
	814165	1	* Washer
	832191	1	* Gasket
	897426	2	* Sealing ring
	906633	1	* Round nut
	907023	1	* Lock washer
	907025	1	* Lock washer
	925256	1	* O-ring
	925261	2	* O-ring
	941820	1	* O-ring
	955974	1	* O-ring
	969071	1	* Round nut

AQAD31A, AD31A, AD31B

REF	PART NO.	QTY	DESCRIPTION
1	875741	1	Gasket kit, COMPL. DRIVE UNIT
	876266	1	Gasket kit, UPPER GEAR UNIT
	17253	2	* Split pin
	17276	1	* Split pin
	125017	1	* O-ring
	181620	1	* Sealing ring
	814356	1	* Sealing
	832669	1	* Gasket
	876279	1	* Bushing kit
	853670	1	* Sealing ring
	853868	1	* Sealing ring
	897682	1	* Gasket
	925093	1	* O-ring
	925095	1	* O-ring
	925259	1	* O-ring
	955974	1	* O-ring
	955989	1	* O-ring
	956000	1	* O-ring, O-RING
	876267	1	Gasket kit, LOWER GEAR UNIT
	125017	1	* O-ring
	851407	2	* Sealing ring
	852212	1	* Nut
	853871	1	* Sealing ring
	906633	1	* Round nut
	907023	1	* Lock washer
	925256	1	* O-ring
	925258	2	* O-ring
	941820	1	* O-ring
	955974	1	* O-ring
	969071	1	* Round nut

DESCRIPTION	SEE SEC.	NOTES
ENGINE WITH INSTALLATION COMPONENTS: A	19097	MD31A, TMD31A, TAMD31A
ENGINE WITH INSTALLATION COMPONENTS: B	19097B	MD31A, TMD31A, TAMD31A
ENGINE WITH INSTALLATION COMPONENTS: C	19097C	MD31A, TMD31A, TAMD31A
ENGINE WITH INSTALLATION COMPONENTS: TAMD31A SOLAS	19098	
ENGINE WITH INSTALLATION COMPONENTS: A	19099	AQAD31A, AD31A
ENGINE WITH INSTALLATION COMPONENTS: B	19099B	AQAD31A, AD31A
ENGINE WITH INSTALLATION COMPONENTS: A	19100	TMD31B, TAMD31B, AD31B
ENGINE WITH INSTALLATION COMPONENTS: B	19100B	TMD31B, TAMD31B, AD31B
ENGINE WITH INSTALLATION COMPONENTS: C	19100C	TMD31B, TAMD31B, AD31B
CYLINDER HEAD: TAMD31A SOLAS	19101	MD31A, TMD31A, TAMD31A, AQAD31A, AD31A
CYLINDER HEAD	19102	TMD31B, TAMD31B, AD31B
CYLINDER BLOCK AND FLYWHEEL HOUSING: A	19103	MD31A, TMD31A, TAMD31A
CYLINDER BLOCK AND FLYWHEEL HOUSING: B	19103B	MD31A, TMD31A, TAMD31A
CYLINDER BLOCK AND FLYWHEEL HOUSING: C	19103C	MD31A, TMD31A, TAMD31A
CYLINDER BLOCK AND FLYWHEEL HOUSING	19104	TMD31B, TAMD31B
CYLINDER BLOCK AND FLYWHEEL HOUSING: A	19105	AQAD31A, AD31A, AD31B
CYLINDER BLOCK AND FLYWHEEL HOUSING: B	19105B	AQAD31A, AD31A, AD31B
CYLINDER BLOCK AND FLYWHEEL HOUSING: C	19105C	AQAD31A, AD31A, AD31B
CYLINDER BLOCK AND FLYWHEEL HOUSING: TAMD31A SOLAS	19106	
CRANKSHAFT AND RELATED PARTS: A	19107	MD31A, TMD31A, TAMD31A
CRANKSHAFT AND RELATED PARTS: B	19107B	MD31A, TMD31A, TAMD31A
CRANKSHAFT AND RELATED PARTS: C	19107C	MD31A, TMD31A, TAMD31A
CRANKSHAFT AND RELATED PARTS: TAMD31A SOLAS	19109	
CRANKSHAFT AND RELATED PARTS	19108	AQAD31A, AD31A
CRANKSHAFT AND RELATED PARTS: A	19110	TMD31B, TAMD31B, AD31B
CRANKSHAFT AND RELATED PARTS: B	19110B	TMD31B, TAMD31B, AD31B
CRANKSHAFT AND RELATED PARTS: C	19110C	TMD31B, TAMD31B, AD31B
CAMSHAFT AND VALVE MECHANISM	19111	MD31A, TMD31A, TAMD31A
CAMSHAFT AND VALVE MECHANISM: TAMD31A SOLAS	19112	
CAMSHAFT AND VALVE MECHANISM	19113	AQAD31A, AD31A
CAMSHAFT AND VALVE MECHANISM: A	19114	TMD31B, TAMD31B, AD31B
CAMSHAFT AND VALVE MECHANISM: B	19114B	TMD31B, TAMD31B, AD31B
CAMSHAFT AND VALVE MECHANISM: C	19114C	TMD31B, TAMD31B, AD31B
TIMING GEAR COVER AND GEARS: A	19115	MD31A, TMD31A, TAMD31A
TIMING GEAR COVER AND GEARS: B	19115B	MD31A, TMD31A, TAMD31A
TIMING GEAR COVER AND GEARS: C	19115C	MD31A, TMD31A, TAMD31A
TIMING GEAR COVER AND GEARS: TAMD31A SOLAS	19117	
TIMING GEAR COVER AND GEARS	19116	AQAD31A, AD31A
TIMING GEAR COVER AND GEARS	19118	TMD31B, TAMD31B, AD31B
LUBRICATING SYSTEM: A	19119	MD31A, TMD31A, TAMD31A
LUBRICATING SYSTEM: B	19119B	MD31A, TMD31A, TAMD31A
LUBRICATING SYSTEM: C	19119C	MD31A, TMD31A, TAMD31A
LUBRICATING SYSTEM: TAMD31A SOLAS	19120	
LUBRICATING SYSTEM	19121	AQAD31A, AD31A
LUBRICATING SYSTEM: A	19122	TMD31B, TAMD31B, AD31B
LUBRICATING SYSTEM: B	19122B	TMD31B, TAMD31B, AD31B
LUBRICATING SYSTEM: C	19122C	TMD31B, TAMD31B, AD31B
OIL PUMP: 1544125	19123	
OIL PUMP: 860718	19123B	
OIL FILTER AND INSTALLATION COMPONENTS: A	19124	MD31A, TMD31A, TAMD31A
OIL FILTER AND INSTALLATION COMPONENTS: B	19124B	MD31A, TMD31A, TAMD31A
OIL FILTER AND INSTALLATION COMPONENTS: C	19124C	MD31A, TMD31A, TAMD31A
OIL FILTER AND INSTALLATION COMPONENTS	19127	TMD31B, TAMD31B, AD31B
OIL FILTER AND INSTALLATION COMPONENTS: TAMD31A SOLAS	19125	
OIL FILTER AND INSTALLATION COMPONENTS	19126	AQAD31A, AD31A
ENGINE SUSPENSION: A	19128	MD31A, TMD31A, TAMD31A
ENGINE SUSPENSION: B	19128B	MD31A, TMD31A, TAMD31A
ENGINE SUSPENSION: C	19128C	MD31A, TMD31A, TAMD31A
ENGINE SUSPENSION: TAMD31A SOLAS	19131	
ENGINE SUSPENSION	19130	AQAD31A, AD31A, AD31B
ENGINE SUSPENSION: A	19129	TMD31B, TAMD31B
ENGINE SUSPENSION: B	19129B	TMD31B, TAMD31B

--

DESCRIPTION	SEE SEC.	NOTES
FUEL SYSTEM	19205	MD31A
FUEL SYSTEM: TAMD31A SOLAS	19207	
FUEL SYSTEM: A	19206	TMD31A, TAMD31A, AQAD31A, AD31A
FUEL SYSTEM: B	19206B	TMD31A, TAMD31A, AQAD31A, AD31A
FUEL SYSTEM: C	19206C	TMD31A, TAMD31A, AQAD31A, AD31A
FUEL SYSTEM: D	19206D	TMD31A, TAMD31A, AQAD31A, AD31A
FUEL SYSTEM: A	19208	TMD31B, TAMD31B, AD31B
FUEL SYSTEM: B	19208B	TMD31B, TAMD31B, AD31B
FUEL SYSTEM: C	19208C	TMD31B, TAMD31B, AD31B
FUEL FILTER: 840531	19197	
FUEL INJECTOR: 838665	19198	
FUEL INJECTOR: 858299	19198B	
FUEL INJECTOR: 859494	19198C	
FUEL INJECTION PUMP: 858207	19199	
FUEL INJECTION PUMP: 838640	19199B	
FUEL INJECTION PUMP: 838679	19200	
FUEL INJECTION PUMP: 838680	19200B	
FUEL INJECTION PUMP: 838681	19200C	
FUEL INJECTION PUMP: 860186	19200D	
FUEL INJECTION PUMP: 860513	19201	
FUEL INJECTION PUMP: 860185	19202	
FUEL INJECTION PUMP: 838678	19203	
REGULATOR: 859346	19204	

--	--	--



DESCRIPTION	SEE SEC.	NOTES
COOLING SYSTEM, INDUCTION- AND EXHAUST MANIFOLD: 867956	19171	MD31A
COOLING SYSTEM, INDUCTION- AND EXHAUST MANIFOLD: 868160	19171B	MD31A
COOLING SYSTEM, INDUCTION- AND EXHAUST MANIFOLD: 867959	19172	MD31A
COOLING SYSTEM, INDUCTION- AND EXHAUST MANIFOLD: 868159	19172B	MD31A
COOLING SYSTEM, INDUCTION- AND EXHAUST MANIFOLD: 867961	19173	TMD31A
COOLING SYSTEM, INDUCTION- AND EXHAUST MANIFOLD: 867962	19174	TMD31A
COOLING SYSTEM, INDUCTION- AND EXHAUST MANIFOLD: 867963	19174B	TMD31A
COOLING SYSTEM, INDUCTION- AND EXHAUST MANIFOLD: 868321	19175	TAMD31A
COOLING SYSTEM, INDUCTION- AND EXHAUST MANIFOLD: 868325	19175B	TAMD31A
COOLING SYSTEM, INDUCTION- AND EXHAUST MANIFOLD: 868327	19175C	TAMD31A
COOLING SYSTEM, INDUCTION- AND EXHAUST MANIFOLD: A	19176	TAMD31A
COOLING SYSTEM, INDUCTION- AND EXHAUST MANIFOLD: B	19176B	TAMD31A
COOLING SYSTEM, INDUCTION- AND EXHAUST MANIFOLD: C	19176C	TAMD31A
COOLING SYSTEM, INDUCTION- AND EXHAUST MANIFOLD: 868330	19177	TAMD31A
COOLING SYSTEM, INDUCTION- AND EXHAUST MANIFOLD: 868331	19177B	TAMD31A
COOLING SYSTEM, INDUCTION- AND EXHAUST MANIFOLD: 867965	19178	TAMD31A
COOLING SYSTEM, INDUCTION- AND EXHAUST MANIFOLD: 867966	19178B	TAMD31A
COOLING SYSTEM, INDUCTION- AND EXHAUST MANIFOLD: 868323, TAMD31A SOLAS	19179	
COOLING SYSTEM, INDUCTION- AND EXHAUST MANIFOLD: 868329	19181	AQAD31A
COOLING SYSTEM, INDUCTION- AND EXHAUST MANIFOLD: 867967	19180	AD31A
COOLING SYSTEM, INDUCTION- AND EXHAUST MANIFOLD: 868179	19182	TMD31B
COOLING SYSTEM, INDUCTION- AND EXHAUST MANIFOLD: 868285	19182B	TMD31B
COOLING SYSTEM, INDUCTION- AND EXHAUST MANIFOLD: 868180	19183	TMD31B
COOLING SYSTEM, INDUCTION- AND EXHAUST MANIFOLD: 868181	19183B	TMD31B
COOLING SYSTEM, INDUCTION- AND EXHAUST MANIFOLD: 868332	19184	TAMD31B
COOLING SYSTEM, INDUCTION- AND EXHAUST MANIFOLD: 868348	19184B	TAMD31B
COOLING SYSTEM, INDUCTION- AND EXHAUST MANIFOLD: 868182	19185	TAMD31B
COOLING SYSTEM, INDUCTION- AND EXHAUST MANIFOLD: 868183	19185B	TAMD31B
COOLING SYSTEM, INDUCTION- AND EXHAUST MANIFOLD: 868184	19186	AD31B
COOLING SYSTEM, INDUCTION- AND EXHAUST MANIFOLD: 868286	19186B	AD31B
HEAT EXCHANGER AND INSTALLATION COMPONENTS	19187	MD31A
HEAT EXCHANGER AND INSTALLATION COMPONENTS: A	19188	TMD31A, TAMD31A, AQAD31A, AD31A
HEAT EXCHANGER AND INSTALLATION COMPONENTS: B	19188B	TMD31A, TAMD31A, AQAD31A, AD31A
HEAT EXCHANGER AND INSTALLATION COMPONENTS: C	19188C	TMD31A, TAMD31A, AQAD31A, AD31A
HEAT EXCHANGER AND INSTALLATION COMPONENTS: D	19188D	TMD31A, TAMD31A, AQAD31A, AD31A
HEAT EXCHANGER AND INSTALLATION COMPONENTS: TAMD31A SOLAS	19189	
HEAT EXCHANGER AND INSTALLATION COMPONENTS: A	19190	TMD31B, TAMD31B, AD31B
HEAT EXCHANGER AND INSTALLATION COMPONENTS: B	19190B	TMD31B, TAMD31B, AD31B
HEAT EXCHANGER AND INSTALLATION COMPONENTS: C	19190C	TMD31B, TAMD31B, AD31B
CIRCULATION PUMP WITH INSTALLATION COMPONENTS: 858485	19191	MD31A
CIRCULATION PUMP WITH INSTALLATION COMPONENTS: 859126	19191B	MD31A
CIRCULATION PUMP WITH INSTALLATION COMPONENTS: 838698	19192	TMD31A, TAMD31A, AQAD31A, AD31A
CIRCULATION PUMP WITH INSTALLATION COMPONENTS: 859128	19192B	TMD31A, TAMD31A, AQAD31A, AD31A
CIRCULATION PUMP WITH INSTALLATION COMPONENTS: 838698	19193	TAMD31A
CIRCULATION PUMP WITH INSTALLATION COMPONENTS: 859128	19193B	TAMD31A
CIRCULATION PUMP AND INSTALLATION COMPONENTS: TAMD31A SOLAS	19194	
CIRCULATION PUMP WITH INSTALLATION COMPONENTS	19195	TMD31B, TAMD31B, AD31B
SEA WATER PUMP AND INSTALLATION COMPONENTS: A	19133	MD31A, TMD31A, TAMD31A
SEA WATER PUMP AND INSTALLATION COMPONENTS: B	19133B	MD31A, TMD31A, TAMD31A
SEA WATER PUMP AND INSTALLATION COMPONENTS: C	19133C	MD31A, TMD31A, TAMD31A
WATER PUMP AND INSTALLATION COMPONENTS	19134	TAMD31A
SEA WATER PUMP AND INSTALLATION COMPONENTS: TAMD31A SOLAS	19135	
SEA WATER PUMP AND INSTALLATION COMPONENTS	19137	AQAD31A, AD31A, AD31B
SEA WATER PUMP AND INSTALLATION COMPONENTS	19136	TMD31B, TAMD31B
SEA WATER PUMP: 858469	19138	
SEA WATER PUMP: 858470	19138B	
SEA WATER PUMP: 858701	19139	
OIL COOLER AND INSTALLATION COMPONENTS: A	19140	MD31A, TMD31A, TAMD31A
OIL COOLER AND INSTALLATION COMPONENTS: B	19140B	MD31A, TMD31A, TAMD31A
OIL COOLER AND INSTALLATION COMPONENTS: C	19140C	MD31A, TMD31A, TAMD31A
OIL COOLER AND INSTALLATION COMPONENTS	19142	TAMD31A
OIL COOLER AND INSTALLATION COMPONENTS: TAMD31A SOLAS	19143	
OIL COOLER AND INSTALLATION COMPONENTS	19141	AQAD31A, AD31A
OIL COOLER AND INSTALLATION COMPONENTS: A	19144	TMD31B, TAMD31B, AD31B
OIL COOLER AND INSTALLATION COMPONENTS: B	19144B	TMD31B, TAMD31B, AD31B
OIL COOLER AND INSTALLATION COMPONENTS: C	19144C	TMD31B, TAMD31B, AD31B
OIL COOLER: 838967	19145	
OIL COOLER: 859525	19146	
AIR FILTER AND INSTALLATION COMPONENTS	19147	MD31A
TURBO AND AIR FILTER WITH INSTALLATION COMPONENTS: A	19148	TMD31A, TAMD31A, AQAD31A, AD31A
TURBO AND AIR FILTER WITH INSTALLATION COMPONENTS: B	19148B	TMD31A, TAMD31A, AQAD31A, AD31A
TURBO AND AIR FILTER WITH INSTALLATION COMPONENTS: C	19148C	TMD31A, TAMD31A, AQAD31A, AD31A
TURBO AND AIR FILTER WITH INSTALLATION COMPONENTS: D	19148D	TMD31A, TAMD31A, AQAD31A, AD31A
TURBO AND AIR FILTER WITH INSTALLATION COMPONENTS	19149	TAMD31A
TURBO AND AIR FILTER WITH INSTALLATION COMPONENTS: TAMD31A SOLAS	19150	
TURBO AND AIR FILTER WITH INSTALLATION COMPONENTS: A	19151	TMD31B, TAMD31B, AD31B
TURBO AND AIR FILTER WITH INSTALLATION COMPONENTS: B	19151B	TMD31B, TAMD31B, AD31B
TURBO AND AIR FILTER WITH INSTALLATION COMPONENTS: C	19151C	TMD31B, TAMD31B, AD31B
TURBO COMPRESSOR: 838695	19152	
INLET AND EXHAUST MANIFOLD AND INSTALLATION COMPONENTS	19153	MD31A
INLET AND EXHAUST MANIFOLD AND INSTALLATION COMPONENTS	19154	TMD31A
INLET AND EXHAUST MANIFOLD AND INSTALLATION COMPONENTS: A	19155	TAMD31A, AQAD31A, AD31A
INLET AND EXHAUST MANIFOLD AND INSTALLATION COMPONENTS: B	19155B	TAMD31A, AQAD31A, AD31A
INLET AND EXHAUST MANIFOLD AND INSTALLATION COMPONENTS: C	19155C	TAMD31A, AQAD31A, AD31A
INLET AND EXHAUST MANIFOLD AND INSTALLATION COMPONENTS	19156	TAMD31A
INLET AND EXHAUST MANIFOLD AND INSTALLATION COMPONENTS: TAMD31A SOLAS	19157	

DESCRIPTION	SEE SEC.	NOTES
INLET AND EXHAUST MANIFOLD AND INSTALLATION COMPONENTS	19158	TMD31B
INLET AND EXHAUST MANIFOLD AND INSTALLATION COMPONENTS: A	19159	TAMD31B, AD31B
INLET AND EXHAUST MANIFOLD AND INSTALLATION COMPONENTS: B	19159B	TAMD31B, AD31B
EXHAUST BEND FOR WET EXHAUSTS	19160	MD31A, TMD31A, TMD31B, TAMD31A, TAMD31B, AQAD31A, AD31A, AD31B
EXHAUST BEND FOR DRY EXHAUSTS	19161	TAMD31A
AFTER COOLER AND INSTALLATION COMPONENTS	19163	TAMD31A
AFTER COOLER AND INSTALLATION COMPONENTS: A	19162	TAMD31A, AQAD31A, AD31A
AFTER COOLER AND INSTALLATION COMPONENTS: B	19162B	TAMD31A, AQAD31A, AD31A
AFTER COOLER AND INSTALLATION COMPONENTS: C	19162C	TAMD31A, AQAD31A, AD31A
AFTER COOLER AND INSTALLATION COMPONENTS: TAMD31A SOLAS	19164	
AFTER COOLER AND INSTALLATION COMPONENTS: A	19165	TAMD31B, AD31B
AFTER COOLER AND INSTALLATION COMPONENTS: B	19165B	TAMD31B, AD31B
THERMOSTAT HOUSING AND INSTALLATION COMPONENTS	19166	MD31A
THERMOSTAT HOUSING AND INSTALLATION COMPONENTS	19167	TMD31A, TAMD31A, AQAD31A, AD31A
THERMOSTAT HOUSING AND EXPANSION TANK WITH INSTALLATION COMPONENTS	19169	TAMD31A
THERMOSTAT HOUSING AND INSTALLATION COMPONENTS: TAMD31A SOLAS	19170	
THERMOSTAT HOUSING AND INSTALLATION COMPONENTS	19168	TMD31B, TAMD31B, AD31B

--

DESCRIPTION	SEE SEC.	NOTES
ENGINE SPEED CONTROL AND STOP: A	19210	MD31A, TMD31A, TAMD31A
ENGINE SPEED CONTROL AND STOP: B	19210B	MD31A, TMD31A, TAMD31A
ENGINE SPEED CONTROL AND STOP: C	19210C	MD31A, TMD31A, TAMD31A
ENGINE SPEED CONTROL AND STOP: TAMD31A SOLAS	19211	
ENGINE SPEED CONTROL AND STOP	19212	AQAD31A, AD31A
ENGINE SPEED CONTROL AND STOPP: A	19213	TMD31B, TAMD31B, AD31B
ENGINE SPEED CONTROL AND STOPP: B	19213B	TMD31B, TAMD31B, AD31B
ENGINE SPEED CONTROL AND STOPP: C	19213C	TMD31B, TAMD31B, AD31B
ENGINE SPEED CONTROL AND STOP	19214	TAMD31A

--

DESCRIPTION	SEE SEC.	NOTES
ELECTRICAL SYSTEM AND INSTRUMENTS	19242	MD31A
ELECTRICAL SYSTEM AND INSTRUMENTS: A	19243	TMD31A, TMD31B
ELECTRICAL SYSTEM AND INSTRUMENTS: B	19243B	TMD31A, TMD31B
ELECTRICAL SYSTEM AND INSTRUMENTS: TAMD31A SOLAS	19244	
ELECTRICAL SYSTEM AND INSTRUMENTS: A	19245	TAMD31A, AQAD31A, AD31A
ELECTRICAL SYSTEM AND INSTRUMENTS: B	19245B	TAMD31A, AQAD31A, AD31A
ELECTRICAL SYSTEM AND INSTRUMENTS: C	19245C	TAMD31A, AQAD31A, AD31A
ELECTRICAL SYSTEM AND INSTRUMENTS: A	19246	TAMD31B, AD31B
ELECTRICAL SYSTEM AND INSTRUMENTS: B	19246B	TAMD31B, AD31B
ELECTRICAL BOX AND INSTALLATION COMPONENTS: A	19247	MD31A, TMD31A, TAMD31A
ELECTRICAL BOX AND INSTALLATION COMPONENTS: B	19247B	MD31A, TMD31A, TAMD31A
ELECTRICAL BOX AND INSTALLATION COMPONENTS: C	19247C	MD31A, TMD31A, TAMD31A
ELECTRICAL BOX AND INSTALLATION COMPONENTS	19248	AQAD31A, AD31A
ELECTRICAL BOX AND INSTALLATION COMPONENTS: A	19249	TMD31B, TAMD31B, AD31B
ELECTRICAL BOX AND INSTALLATION COMPONENTS: B	19249B	TMD31B, TAMD31B, AD31B
ELECTRICAL BOX AND INSTALLATION COMPONENTS: C	19249C	TMD31B, TAMD31B, AD31B
ELECTRICAL BOX AND INSTALLATION COMPONENTS: TAMD31A SOLAS	19250	
ALTERNATOR AND INSTALLATION COMPONENTS: A	19216	MD31A, TMD31A, TAMD31A
ALTERNATOR AND INSTALLATION COMPONENTS: B	19216B	MD31A, TMD31A, TAMD31A
ALTERNATOR AND INSTALLATION COMPONENTS: C	19216C	MD31A, TMD31A, TAMD31A
ALTERNATOR AND INSTALLATION COMPONENTS: TAMD31A SOLAS	19219	
ALTERNATOR AND INSTALLATION COMPONENTS	19218	AQAD31A
ALTERNATOR AND INSTALLATION COMPONENTS	19217	TMD31B, TAMD31B, AD31B
STARTER MOTOR AND INSTALLATION COMPONENTS: A	19220	MD31A, TMD31A, TAMD31A
STARTER MOTOR AND INSTALLATION COMPONENTS: B	19220B	MD31A, TMD31A, TAMD31A
STARTER MOTOR AND INSTALLATION COMPONENTS: C	19220C	MD31A, TMD31A, TAMD31A
STARTER MOTOR AND INSTALLATION COMPONENTS	19221	AQAD31A, AD31A
STARTER MOTOR AND INSTALLATION COMPONENTS	19222	TMD31B, TAMD31B
STARTER MOTOR AND INSTALLATION COMPONENTS: TAMD31A SOLAS	19223	
STARTER MOTOR AND INSTALLATION COMPONENTS	19224	AD31B
ALTERNATOR: 858838	19225	
ALTERNATOR: 849563	19226	
ALTERNATOR	19227	
STARTER: 829527	19228	
STARTER MOTOR	19229	
STARTER MOTOR: 838987	19230	MD31A, TMD31A, TMD31B, TAMD31A, TAMD31B, AQAD31A, AD31A, AD31B
Instrument Panel: 838809	19231	
Instrument Panel: 858086	19231B	
Instrument Panel: 859063	19231C	
Instrument Panel: 859099	19231D	
Instrument Panel: 858865	19232	
Instrument Panel: 858866	19232B	
Instrument Panel: 864041	19232C	
Instrument Panel: 864040	19233	
SOLENOID AND INSTALLATION COMPONENTS: A	19234	TMD31A, TAMD31A, AQAD31A, AD31A
SOLENOID AND INSTALLATION COMPONENTS: B	19234B	TMD31A, TAMD31A, AQAD31A, AD31A
SOLENOID AND INSTALLATION COMPONENTS: C	19234C	TMD31A, TAMD31A, AQAD31A, AD31A
SOLENOID AND INSTALLATION COMPONENTS: D	19234D	TMD31A, TAMD31A, AQAD31A, AD31A
SOLENOID AND INSTALLATION COMPONENTS: TAMD31A SOLAS	19235	
MICRO SWITCH AND INSTALLATION COMPONENTS: TAMD31A SOLAS	19237	
MICRO SWITCH AND INSTALLATION COMPONENTS	19236	TMD31A, TAMD31A, AQAD31A, AD31A
TILT SWITCH: TAMD31A SOLAS	19238	
Relay and installation components	19239	
CABLES AND TERMINALS	19240	MD31A, TMD31A, TMD31B, TAMD31A, TAMD31B, AQAD31A, AD31A, AD31B
ELECTRICAL MATERIALS	19241	MD31A, TMD31A, TMD31B, TAMD31A, TAMD31B, AQAD31A, AD31A, AD31B



DESCRIPTION	SEE SEC.	NOTES
STEERING MECHANISM, CABLE TYPE	19294	MD31A, TMD31A, TMD31B, TAMD31A, TAMD31B, AQAD31A, AD31A, AD31B
STEERING MECHANISM DRIVE UNIT	19295	AQAD31A, AD31A
STEERING MECHANISM ROTO PILOT	19296	MD31A, TMD31A, TMD31B, TAMD31A, TAMD31B, AQAD31A, AD31A, AD31B
STEERING SYSTEM STS 330	19297	MD31A, TMD31A, TMD31B, TAMD31A, TAMD31B, AQAD31A, AD31A, AD31B
DRIVE UNIT, STEERING ROTO PILOT	19298	MD31A, TMD31A, TMD31B, TAMD31A, TAMD31B, AQAD31A, AD31A, AD31B
STEERING MECHANISM, FLYBRIDGE ROTO PILOT	19299	MD31A, TMD31A, TMD31B, TAMD31A, TAMD31B, AQAD31A, AD31A, AD31B
POWER STEERING	19300	AQAD31A, AD31A, AD31B
STEERING MECHANISM, ROTO PILOT	19301	AQAD31A, AD31A
HYDRAULIC PUMP, OIL RESERVOIR: 838310	19302	
STEERING HEAD	19303	MD31A, TMD31A, TMD31B, TAMD31A, TAMD31B, AQAD31A, AD31A, AD31B
STEERING CABLE LOCK	19304	MD31A, TMD31A, TMD31B, TAMD31A, TAMD31B, AQAD31A, AD31A, AD31B
DS UNIT FOR POWER STEERING	19305	AQAD31A, AD31A, AD31B

DESCRIPTION	SEE SEC.	NOTES
ELECTRICAL OIL BILGE PUMP: 843114	19376	MD31A, TMD31A, TMD31B, TAMD31A, TAMD31B, AQAD31A, AD31A, AD31B
ELECTRICAL OIL BILGE PUMP: 843410	19376B	MD31A, TMD31A, TMD31B, TAMD31A, TAMD31B, AQAD31A, AD31A, AD31B
VACUUM VALVE KIT	19393	MD31A, TMD31A, TMD31B, TAMD31A, TAMD31B
SEA WATER STRAINER KIT	19396	MD31A, TMD31A, TMD31B, TAMD31A, TAMD31B, AQAD31A, AD31A, AD31B
COOLING WATER INTAKE: 841723	19307	MD31A, TMD31A, TMD31B, TAMD31A, TAMD31B
FLYBRIDGE SINGLE ENGINE INSTALLATION: A	19352	MD31A, TMD31A, TMD31B, TAMD31A, TAMD31B, AQAD31A, AD31A, AD31B
FLYBRIDGE SINGLE ENGINE INSTALLATION: B	19352B	MD31A, TMD31A, TMD31B, TAMD31A, TAMD31B, AQAD31A, AD31A, AD31B
FLYBRIDGE TWIN ENGINE INSTALLATION: A	19353	MD31A, TMD31A, TMD31B, TAMD31A, TAMD31B, AQAD31A, AD31A, AD31B
FLYBRIDGE TWIN ENGINE INSTALLATION: B	19353B	MD31A, TMD31A, TMD31B, TAMD31A, TAMD31B, AQAD31A, AD31A, AD31B
DS UNIT	19354	MD31A, TMD31A, TMD31B, TAMD31A, TAMD31B, AQAD31A, AD31A, AD31B
BILGE PUMP AND ENGINE ROOM FAN	19355	MD31A, TMD31A, TMD31B, TAMD31A, TAMD31B, AQAD31A, AD31A, AD31B
TOOL KIT	19356	MD31A, TMD31A, TMD31B, TAMD31A, TAMD31B, AQAD31A, AD31A, AD31B
TOOL KIT: 858282	19357	MD31A, TMD31A, TMD31B, TAMD31A, TAMD31B, AQAD31A, AD31A, AD31B
ON BOARD KIT	19358	MD31A, TMD31A, TMD31B, TAMD31A, TAMD31B, AQAD31A, AD31A, AD31B
DECAL KIT	19359	MD31A, TMD31A, TMD31B, TAMD31A, TAMD31B, AQAD31A, AD31A, AD31B
CHEMICALS	19360	MD31A, TMD31A, TMD31B, TAMD31A, TAMD31B, AQAD31A, AD31A, AD31B
GENERAL BRACKET	19331	MD31A, TMD31A, TMD31B, TAMD31A, TAMD31B, AQAD31A, AD31A, AD31B
PULLEY: 860024	19332	MD31A, TMD31A, TMD31B, TAMD31A, TAMD31B, AQAD31A, AD31A, AD31B
PULLEY: 860026	19332B	MD31A, TMD31A, TMD31B, TAMD31A, TAMD31B, AQAD31A, AD31A, AD31B
PULLEY: 858257	19332C	MD31A, TMD31A, TMD31B, TAMD31A, TAMD31B, AQAD31A, AD31A, AD31B
PULLEY: 843314	19332D	MD31A, TMD31A, TMD31B, TAMD31A, TAMD31B, AQAD31A, AD31A, AD31B
COUPLING FLANGE: 828390	19333	MD31A, TMD31A, TMD31B, TAMD31A, TAMD31B, AQAD31A, AD31A, AD31B
COUPLING FLANGE: 827957	19333B	MD31A, TMD31A, TMD31B, TAMD31A, TAMD31B, AQAD31A, AD31A, AD31B
COUPLING FLANGE: 828145	19333C	MD31A, TMD31A, TMD31B, TAMD31A, TAMD31B, AQAD31A, AD31A, AD31B
COUPLING FLANGE: 828147	19333D	MD31A, TMD31A, TMD31B, TAMD31A, TAMD31B, AQAD31A, AD31A, AD31B
COUPLING FLANGE: 853794	19334	MD31A, TMD31A, TMD31B, TAMD31A, TAMD31B, AQAD31A, AD31A, AD31B
COUPLING FLANGE: 853795	19334B	MD31A, TMD31A, TMD31B, TAMD31A, TAMD31B, AQAD31A, AD31A, AD31B
COUPLING FLANGE: 853796	19334C	MD31A, TMD31A, TMD31B, TAMD31A, TAMD31B, AQAD31A, AD31A, AD31B
COUPLING FLANGE: 827927	19335	MD31A, TMD31A, TMD31B, TAMD31A, TAMD31B, AQAD31A, AD31A, AD31B
COUPLING FLANGE: 827930	19335B	MD31A, TMD31A, TMD31B, TAMD31A, TAMD31B, AQAD31A, AD31A, AD31B
COUPLING FLANGE: 828606	19336	MD31A, TMD31A, TMD31B, TAMD31A, TAMD31B, AQAD31A, AD31A, AD31B
PROPELLER SHAFT FLANGE: 828388	19337	MD31A, TMD31A, TMD31B, TAMD31A, TAMD31B, AQAD31A, AD31A, AD31B
PROPELLER SHAFT FLANGE: 829279	19337B	MD31A, TMD31A, TMD31B, TAMD31A, TAMD31B, AQAD31A, AD31A, AD31B
PROPELLER SHAFT FLANGE: 829281	19337C	MD31A, TMD31A, TMD31B, TAMD31A, TAMD31B, AQAD31A, AD31A, AD31B
PROPELLER SHAFT FLANGE: 819105	19337D	MD31A, TMD31A, TMD31B, TAMD31A, TAMD31B, AQAD31A, AD31A, AD31B
PROPELLER SHAFT FLANGE: 806383	19338	MD31A, TMD31A, TMD31B, TAMD31A, TAMD31B, AQAD31A, AD31A, AD31B
PROPELLER SHAFT FLANGE: 806384	19338B	MD31A, TMD31A, TMD31B, TAMD31A, TAMD31B, AQAD31A, AD31A, AD31B
PROPELLER SHAFT FLANGE: 806385	19338C	MD31A, TMD31A, TMD31B, TAMD31A, TAMD31B, AQAD31A, AD31A, AD31B
FLEXIBLE PROPELLER-SHAFT COUPLING: 838471	19339	MD31A, TMD31A, TMD31B, TAMD31A, TAMD31B, AQAD31A, AD31A, AD31B
FLEXIBLE PROPELLER-SHAFT COUPLING: 829252	19339B	MD31A, TMD31A, TMD31B, TAMD31A, TAMD31B, AQAD31A, AD31A, AD31B
PROPELLER SHAFT STUFFING BOX: 828254	19340	MD31A, TMD31A, TMD31B, TAMD31A, TAMD31B, AQAD31A, AD31A, AD31B
PROPELLER SHAFT STUFFING BOX: 828422	19340B	MD31A, TMD31A, TMD31B, TAMD31A, TAMD31B, AQAD31A, AD31A, AD31B
PROPELLER SHAFT STUFFING BOX: 828526	19340C	MD31A, TMD31A, TMD31B, TAMD31A, TAMD31B, AQAD31A, AD31A, AD31B
PROPELLER SHAFT STUFFING BOX: 828527	19340D	MD31A, TMD31A, TMD31B, TAMD31A, TAMD31B, AQAD31A, AD31A, AD31B
PROPELLER SHAFT SLEEVE	19341	MD31A, TMD31A, TMD31B, TAMD31A, TAMD31B, AQAD31A, AD31A, AD31B
STUFFING BOX: 859012	19342	MD31A, TMD31A, TMD31B, TAMD31A, TAMD31B, AQAD31A, AD31A, AD31B
STUFFING BOX: 859013	19342B	MD31A, TMD31A, TMD31B, TAMD31A, TAMD31B, AQAD31A, AD31A, AD31B

DESCRIPTION	SEE SEC.	NOTES
STUFFING BOX: 859014	19342C	MD31A, TMD31A, TMD31B, TAMD31A, TAMD31B, AQAD31A, AD31A, AD31B
STUFFING BOX AND GREASE GUN: 859016	19343	MD31A, TMD31A, TMD31B, TAMD31A, TAMD31B, AQAD31A, AD31A, AD31B
STUFFING BOX AND GREASE GUN: 859017	19343B	MD31A, TMD31A, TMD31B, TAMD31A, TAMD31B, AQAD31A, AD31A, AD31B
PROPELLER, BRONZE AND ZINC ANODE: A	19344	MD31A, TMD31A, TMD31B, TAMD31A, TAMD31B, AQAD31A, AD31A, AD31B
PROPELLER, BRONZE AND ZINC ANODE: B	19344B	MD31A, TMD31A, TMD31B, TAMD31A, TAMD31B, AQAD31A, AD31A, AD31B
PROPELLER, DRIVE UNIT: A	19345	MD31A, TMD31A, TMD31B, TAMD31A, TAMD31B, AQAD31A, AD31A, AD31B
PROPELLER, DRIVE UNIT: B	19345B	MD31A, TMD31A, TMD31B, TAMD31A, TAMD31B, AQAD31A, AD31A, AD31B
DUOPROP PROPELLERS FOR DIESEL ENGINES	19346	MD31A, TMD31A, TMD31B, TAMD31A, TAMD31B, AQAD31A, AD31A, AD31B
FUEL TANK AND CONNECTING COMPONENTS	19377	MD31A, TMD31A, TMD31B, TAMD31A, TAMD31B, AQAD31A, AD31A, AD31B
FUEL FILTER	19378	MD31A, TMD31A, TMD31B, TAMD31A, TAMD31B, AQAD31A, AD31A, AD31B
FUEL FILTER	19379	MD31A, TMD31A, TMD31B, TAMD31A, TAMD31B, AQAD31A, AD31A, AD31B
TANK METER KIT FOR FUEL AND FRESH WATER: 828714	19380	MD31A, TMD31A, TMD31B, TAMD31A, TAMD31B, AQAD31A, AD31A, AD31B
TANK METER KIT FOR FUEL AND FRESH WATER: 828715	19380B	MD31A, TMD31A, TMD31B, TAMD31A, TAMD31B, AQAD31A, AD31A, AD31B
TANK METER KIT FOR FUEL AND FRESH WATER: 828716	19380C	MD31A, TMD31A, TMD31B, TAMD31A, TAMD31B, AQAD31A, AD31A, AD31B
TANK METER KIT FOR FUEL AND FRESH WATER: 828717	19380D	MD31A, TMD31A, TMD31B, TAMD31A, TAMD31B, AQAD31A, AD31A, AD31B
TANK METER KIT FOR FUEL AND FRESH WATER: 858879	19381	MD31A, TMD31A, TMD31B, TAMD31A, TAMD31B, AQAD31A, AD31A, AD31B
TANK METER KIT FOR FUEL AND FRESH WATER: 858881	19381B	MD31A, TMD31A, TMD31B, TAMD31A, TAMD31B, AQAD31A, AD31A, AD31B
TANK METER KIT FOR FUEL AND FRESH WATER: 858880	19382	MD31A, TMD31A, TMD31B, TAMD31A, TAMD31B, AQAD31A, AD31A, AD31B
TANK METER KIT FOR FUEL AND FRESH WATER: 858882	19382B	MD31A, TMD31A, TMD31B, TAMD31A, TAMD31B, AQAD31A, AD31A, AD31B
CONTROL FOR TOP INSTALLATION PC740: A	19383	MD31A, TMD31A, TMD31B, TAMD31A, TAMD31B, AQAD31A, AD31A, AD31B
CONTROL FOR TOP INSTALLATION PC740: B	19383B	MD31A, TMD31A, TMD31B, TAMD31A, TAMD31B, AQAD31A, AD31A, AD31B
CONTROL FOR TOP INSTALLATION PC840, SINGLE	19385	MD31A, TMD31A, TMD31B, TAMD31A, TAMD31B, AQAD31A, AD31A, AD31B
CONTROL FOR TOP INSTALLATION PC840, TWIN	19386	MD31A, TMD31A, TMD31B, TAMD31A, TAMD31B, AQAD31A, AD31A, AD31B
HANDLE FOR CONTROL: 852347	19387	
HANDLE PT TOP/SIDE FOR CONTROL: 1140041	19388	
HANDLE PT TOP/SIDE FOR CONTROL: 1140042	19388B	
CONTROL FOR SIDE INSTALLATION PC740: 851604	19389	MD31A, TMD31A, TMD31B, TAMD31A, TAMD31B, AQAD31A, AD31A, AD31B
CONTROL FOR SIDE INSTALLATION PC740: 851605	19389B	MD31A, TMD31A, TMD31B, TAMD31A, TAMD31B, AQAD31A, AD31A, AD31B
CONTROL FOR SIDE INSTALLATION PC840	19390	MD31A, TMD31A, TMD31B, TAMD31A, TAMD31B, AQAD31A, AD31A, AD31B
CONTROL FOR SIDE INSTALLATION PC741, PC841: 1140092	19391	MD31A, TMD31A, TMD31B, TAMD31A, TAMD31B, AQAD31A, AD31A, AD31B
CONTROL FOR SIDE INSTALLATION PC741, PC841: 1140090	19391B	MD31A, TMD31A, TMD31B, TAMD31A, TAMD31B, AQAD31A, AD31A, AD31B
CONTROL FOR SIDE INSTALLATION PC741, PC841: 1140093	19391C	MD31A, TMD31A, TMD31B, TAMD31A, TAMD31B, AQAD31A, AD31A, AD31B
PLATE, CONTROL CABLE	19392	MD31A, TMD31A, TMD31B, TAMD31A, TAMD31B, AQAD31A, AD31A, AD31B
SEA WATER FILTER AND SEA WATER INTAKE	19348	MD31A, TMD31A, TMD31B, TAMD31A, TAMD31B, AQAD31A, AD31A, AD31B
Instrument Panel: 850375	19349	MD31A, TMD31A, TMD31B, TAMD31A, TAMD31B, AQAD31A, AD31A, AD31B
Instrument Panel: 850376	19349B	MD31A, TMD31A, TMD31B, TAMD31A, TAMD31B, AQAD31A, AD31A, AD31B
HOT WATER OUTLET	19368	MD31A, TMD31A, TMD31B, TAMD31A, TAMD31B, AQAD31A, AD31A, AD31B
WATER HEATER KIT	19369	MD31A, TMD31A, TMD31B, TAMD31A, TAMD31B, AQAD31A, AD31A, AD31B
EXPANSION TANK KIT: 858602	19370	MD31A, TMD31A, TMD31B, TAMD31A, TAMD31B, AQAD31A, AD31A, AD31B
DRIP PROTECTION	19371	MD31A, TMD31A, TMD31B, TAMD31A, TAMD31B, AQAD31A, AD31A, AD31B
CHARGE PRESSURE GAUGE KIT: 858603	19374	MD31A, TMD31A, TMD31B, TAMD31A, TAMD31B, AQAD31A, AD31A, AD31B
CHARGE PRESSURE GAUGE KIT: 858887	19374B	MD31A, TMD31A, TMD31B, TAMD31A, TAMD31B, AQAD31A, AD31A, AD31B
CONNECTING KIT FOR DUAL STATION	19394	MD31A, TMD31A, TMD31B, TAMD31A, TAMD31B, AQAD31A, AD31A, AD31B
CONTROL CABLES: TYPE 333, 443	19395	
ALARM UNIT: 827940	19308	MD31A, TMD31A, TMD31B, TAMD31A, TAMD31B, AQAD31A, AD31A, AD31B
ALARM UNIT: 827941	19308B	MD31A, TMD31A, TMD31B, TAMD31A, TAMD31B, AQAD31A, AD31A, AD31B
SAFETY CONTACT	19309	MD31A, TMD31A, TMD31B, TAMD31A, TAMD31B, AQAD31A, AD31A, AD31B
ALTERNATOR KIT: 858620	19310	MD31A, TMD31A, TMD31B, TAMD31A, TAMD31B, AQAD31A, AD31A, AD31B

DESCRIPTION	SEE SEC.	NOTES
ALTERNATOR KIT: 858679	19310B	MD31A, TMD31A, TMD31B, TAMD31A, TAMD31B, AQAD31A, AD31A, AD31B
ALTERNATOR	19311	
ALTERNATOR KIT: 858572	19312	MD31A, TMD31A, TMD31B, TAMD31A, TAMD31B, AQAD31A, AD31A, AD31B
ALTERNATOR KIT: 858573	19312B	MD31A, TMD31A, TMD31B, TAMD31A, TAMD31B, AQAD31A, AD31A, AD31B
ALTERNATOR KIT: 859576	19313	MD31A, TMD31A, TMD31B, TAMD31A, TAMD31B, AQAD31A, AD31A, AD31B
ALTERNATOR KIT: 859577	19313B	MD31A, TMD31A, TMD31B, TAMD31A, TAMD31B, AQAD31A, AD31A, AD31B
ALTERNATOR	19314	MD31A, TMD31A, TMD31B, TAMD31A, TAMD31B, AQAD31A, AD31A, AD31B
ALTERNATOR	19315	MD31A, TMD31A, TMD31B, TAMD31A, TAMD31B, AQAD31A, AD31A, AD31B
CHARGING RELAY SEPARATE MOUNTED: 858841	19316	MD31A, TMD31A, TMD31B, TAMD31A, TAMD31B, AQAD31A, AD31A, AD31B
CHARGING RELAY SEPARATE MOUNTED: 859499	19316B	MD31A, TMD31A, TMD31B, TAMD31A, TAMD31B, AQAD31A, AD31A, AD31B
CHARGING RELAY	19317	MD31A, TMD31A, TMD31B, TAMD31A, TAMD31B, AQAD31A, AD31A, AD31B
MAIN SWITCH	19318	MD31A, TMD31A, TMD31B, TAMD31A, TAMD31B, AQAD31A, AD31A, AD31B
INSTRUMENT PANEL, 2-POLE: 864042	19319	MD31A, TMD31A, TMD31B, TAMD31A, TAMD31B, AQAD31A, AD31A, AD31B
Instrument Panel: 858875	19320	MD31A, TMD31A, TMD31B, TAMD31A, TAMD31B, AQAD31A, AD31A, AD31B
Instrument Panel: 828780	19320B	MD31A, TMD31A, TMD31B, TAMD31A, TAMD31B, AQAD31A, AD31A, AD31B
Instrument Panel: 860184	19320C	MD31A, TMD31A, TMD31B, TAMD31A, TAMD31B, AQAD31A, AD31A, AD31B
EXTRA INSTRUMENT PANEL	19321	MD31A, TMD31A, TMD31B, TAMD31A, TAMD31B, AQAD31A, AD31A, AD31B
EXTRA PANEL: 846786	19322	MD31A, TMD31A, TMD31B, TAMD31A, TAMD31B, AQAD31A, AD31A, AD31B
EXTRA PANEL: 858874	19322B	MD31A, TMD31A, TMD31B, TAMD31A, TAMD31B, AQAD31A, AD31A, AD31B
EXTRA PANEL: 828711	19322C	MD31A, TMD31A, TMD31B, TAMD31A, TAMD31B, AQAD31A, AD31A, AD31B
EXTRA PANEL: 858877	19322D	MD31A, TMD31A, TMD31B, TAMD31A, TAMD31B, AQAD31A, AD31A, AD31B
ALARM PANEL: 846787	19323	MD31A, TMD31A, TMD31B, TAMD31A, TAMD31B, AQAD31A, AD31A, AD31B
ALARM PANEL: 858876	19323B	MD31A, TMD31A, TMD31B, TAMD31A, TAMD31B, AQAD31A, AD31A, AD31B
INSTRUMENT PANEL FLYBRIDGE: 838810	19324	MD31A, TMD31A, TMD31B, TAMD31A, TAMD31B, AQAD31A, AD31A, AD31B
INSTRUMENT PANEL FLYBRIDGE: 858868	19324B	MD31A, TMD31A, TMD31B, TAMD31A, TAMD31B, AQAD31A, AD31A, AD31B
INSTRUMENT PANEL FLYBRIDGE: 864043	19324C	MD31A, TMD31A, TMD31B, TAMD31A, TAMD31B, AQAD31A, AD31A, AD31B
WATER COOLED EXHAUST MUFFLER WITH INSTALLATION COMPONENTS	19361	MD31A
RUDDER INDICATOR KIT: 858884	19326	MD31A, TMD31A, TMD31B, TAMD31A, TAMD31B
RUDDER INDICATOR KIT: 840789	19326B	MD31A, TMD31A, TMD31B, TAMD31A, TAMD31B
THERMO SWITCH CONTROL	19372	MD31A, TMD31A, TMD31B, TAMD31A, TAMD31B
CONVERSION KIT 24V: 858910	19328	MD31A, TMD31A, TAMD31A
CONVERSION KIT 24V: 860323	19328B	MD31A, TMD31A, TAMD31A
WATER COOLED EXHAUST MUFFLER WITH INSTALLATION COMPONENTS	19362	TMD31A, TMD31B, TAMD31A, TAMD31B
CONVERSION KIT, 1, 5-2POLE ELECTRICAL SYSTEM: 859730	19330	TMD31A, TAMD31A, AQAD31A
CONVERSION KIT, EXHAUST BEND	19363	TMD31A, TAMD31A, AQAD31A, AD31A
PREHEATING KIT: 860321	19375	TMD31A, TAMD31A, AQAD31A, AD31A
PREHEATING KIT: 859302	19375B	TMD31A, TAMD31A, AQAD31A, AD31A
PREHEATING KIT: 859676	19375C	TMD31A, TAMD31A, AQAD31A, AD31A
EXHAUST LINE, DRY	19366	TMD31B, TAMD31B
EXHAUST LINE, WET: 859268	19364	TAMD31A
EXHAUST LINE, WET: 859269	19364B	TAMD31A
EXHAUST LINE, DRY	19365	TAMD31A
CONVERSION KIT, SOLAS: 860361	19329	TAMD31A
CONVERSION KIT, SOLAS: 860362	19329B	TAMD31A
POWER TRIM PANEL FLYBRIDGE: 853067	19327	AQAD31A, AD31A, AD31B
PROPELLER CONE KIT. TOOL, CONE TIGHTENING. DUOPROP.	19347	AQAD31A, AD31A, AD31B
THERMO SWITCH CONTROL: 858938	19373	AQAD31A, AD31A, AD31B
EXTENSION SET: 839548	19350	AQAD31A, AD31A, AD31B
EXTENSION SET: 814318	19351	AQAD31A, AD31A, AD31B
RUDDER INDICATOR KIT: 853178	19325	AQAD31A, AD31A, AD31B
RUDDER INDICATOR KIT: 858886	19325B	AQAD31A, AD31A, AD31B
BLIND FLANGE KIT, EXHAUST OUTLET	19367	AQAD31A, AD31B

--

DESCRIPTION	SEE SEC.	NOTES
REPAIR KIT REVERSE GEAR MS2B	19403	MD31A
REPAIR KIT'S REVERSE GEAR MS4A, MS4B	19404	MD31A, TMD31A, TMD31B, TAMD31A, TAMD31B
REPAIR KIT'S: A	19398	MD31A, TMD31A, TAMD31A
REPAIR KIT'S: B	19398B	MD31A, TMD31A, TAMD31A
REPAIR KIT'S: C	19398C	MD31A, TMD31A, TAMD31A
REPAIR KIT'S: TAMD31ASOLAS	19398D	MD31A, TMD31A, TAMD31A
REPAIR KIT'S: A	19400	TMD31B, TAMD31B, AD31B
REPAIR KIT'S: B	19400B	TMD31B, TAMD31B, AD31B
REPAIR KIT'S: C	19400C	TMD31B, TAMD31B, AD31B
REPAIR KIT'S	19399	AQAD31A, AD31A
REPAIR KIT'S DRIVE UNIT 290A, SP-A, SP-A1	19401	AQAD31A, AD31A, AD31B
REPAIR KIT'S DRIVE UNIT DP290A, DP-A, DP-A1	19402	AQAD31A, AD31A, AD31B



MD31A, TMD31A, TMD31B, TAMD31A, TAMD31B, AQAD31A, AD31A, AD31B, 290A, DP-A, DP-B, DP-A1, DP-B1, SP-A, SP-A1

--

REF	DESCRIPTION	SEE SEC.
21	Engine	21
23	Fuel System	23
26	Cooling System	26
27	Controls	27
30	Electrical System	30
44	Transmissions	44
64	Steering System	64
90	Miscellaneous Equipment	90
99	Repair Kits	99

--	--	--

