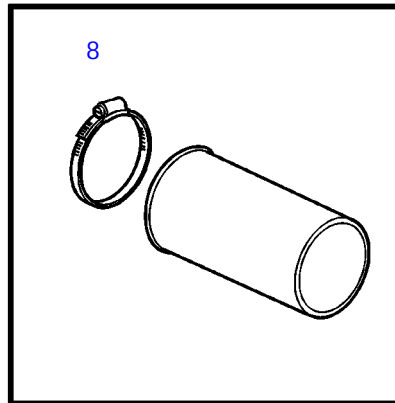
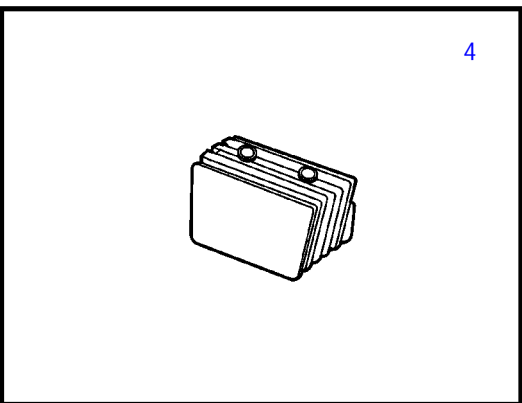
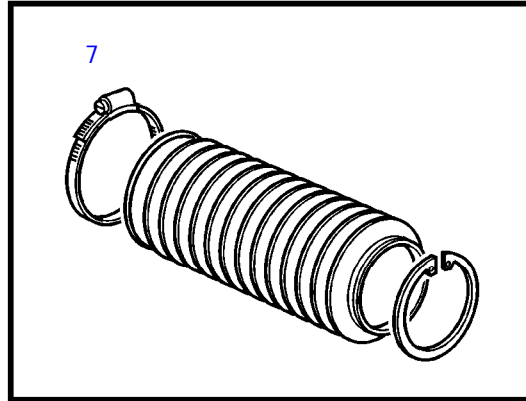
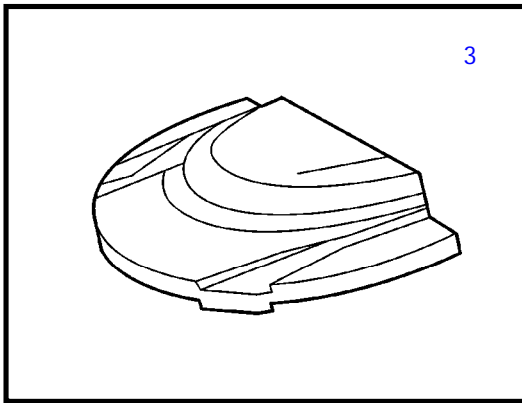
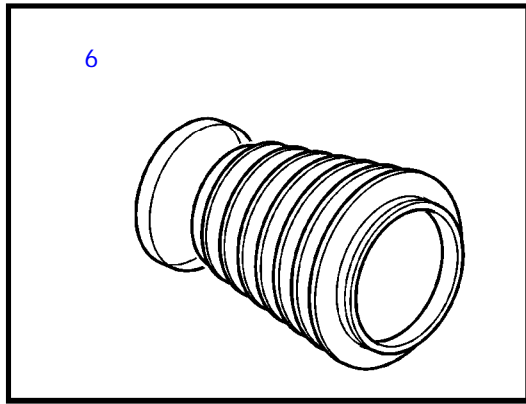
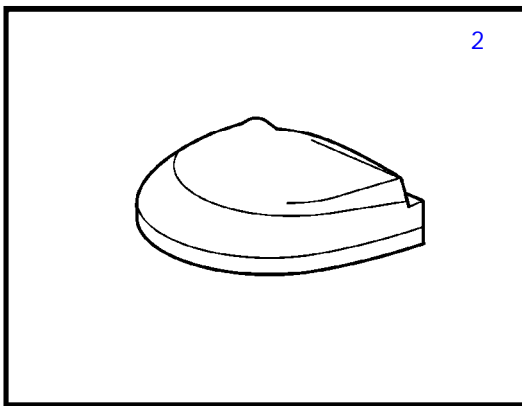
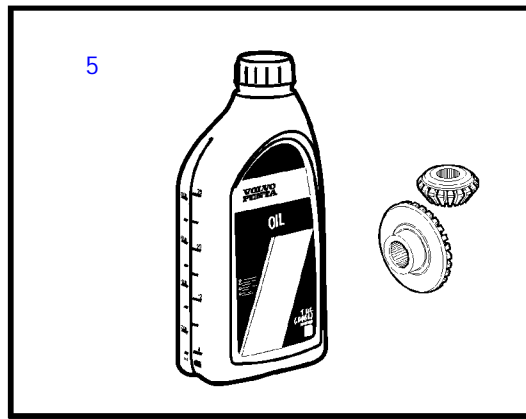
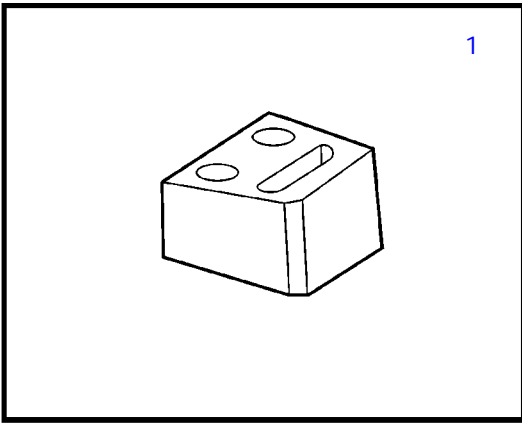


DP-SM



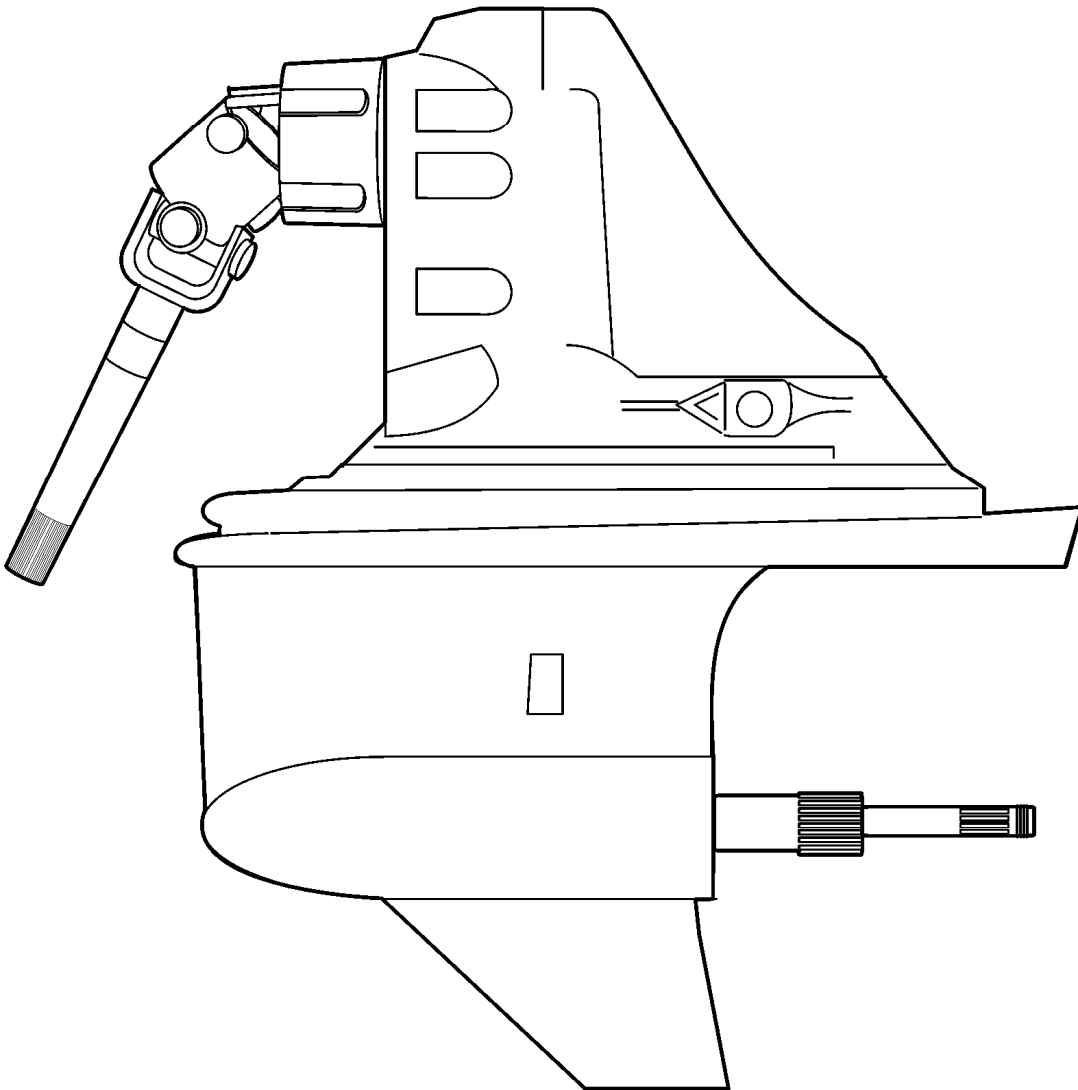
25155

## DP-SM

REF	PART NO.	QTY	DESCRIPTION	SEE SEC.	NOTES
1	3586461	1	Anode, aluminum		
	3854130	1	Anode, zinc		
			• Bulletin P-44-1-1	P-44-1-1-EN	Anodes, SX AND DP-S
1	3855610	1	Magnesium anode, magnesium		
2	3863193	1	Anode, aluminum		
	3855411	1	Zinc anode		
			• Bulletin P-44-1-1	P-44-1-1-EN	Anodes, SX AND DP-S
2	3855412	1	Magnesium anode		
3	3857857	1	Zinc anode		
	3857858	1	Magnesium anode		
4	873395	2	Zinc electrode		SX-MHP
	3863480	2	Magnesium anode		SX-MHP
5		X	Transmission oil		Fill level is determined by DIPSTICK
		X	Transmission oil		USA
	1141679	3	Transmission oil		12x1 qt
	1141680	1	Transmission oil		4x1 gal
	1141681	1	Transmission oil		5 gal
		X	Transmission oil		Europe and other markets
	3809443	3	Transmission oil		1L
	1161995	1	Oil		5L
	3809441	1	Transmission oil		20L
6	3841481	1	Bellows kit, U-joint		
	853012	1	• Hose clamp		
7	3850426	1	Bellows, exhaust		
			• Bulletin P-44-1-20	P-44-1-20-EN	Exhaust Bellows, problems with aftermarket parts
7	3852603	1	Hose clamp		
	3852665	1	Retainer		
8	3587641	1	Bellows		
	3852603	1	Hose clamp		

DP-SM 1.68, DP-SM 1.78, DP-SM 1.95, DP-SM 2.32, DP-SMTD 1.95, DP-SMTD1 1.95, DP-SMTD3 2.11

①



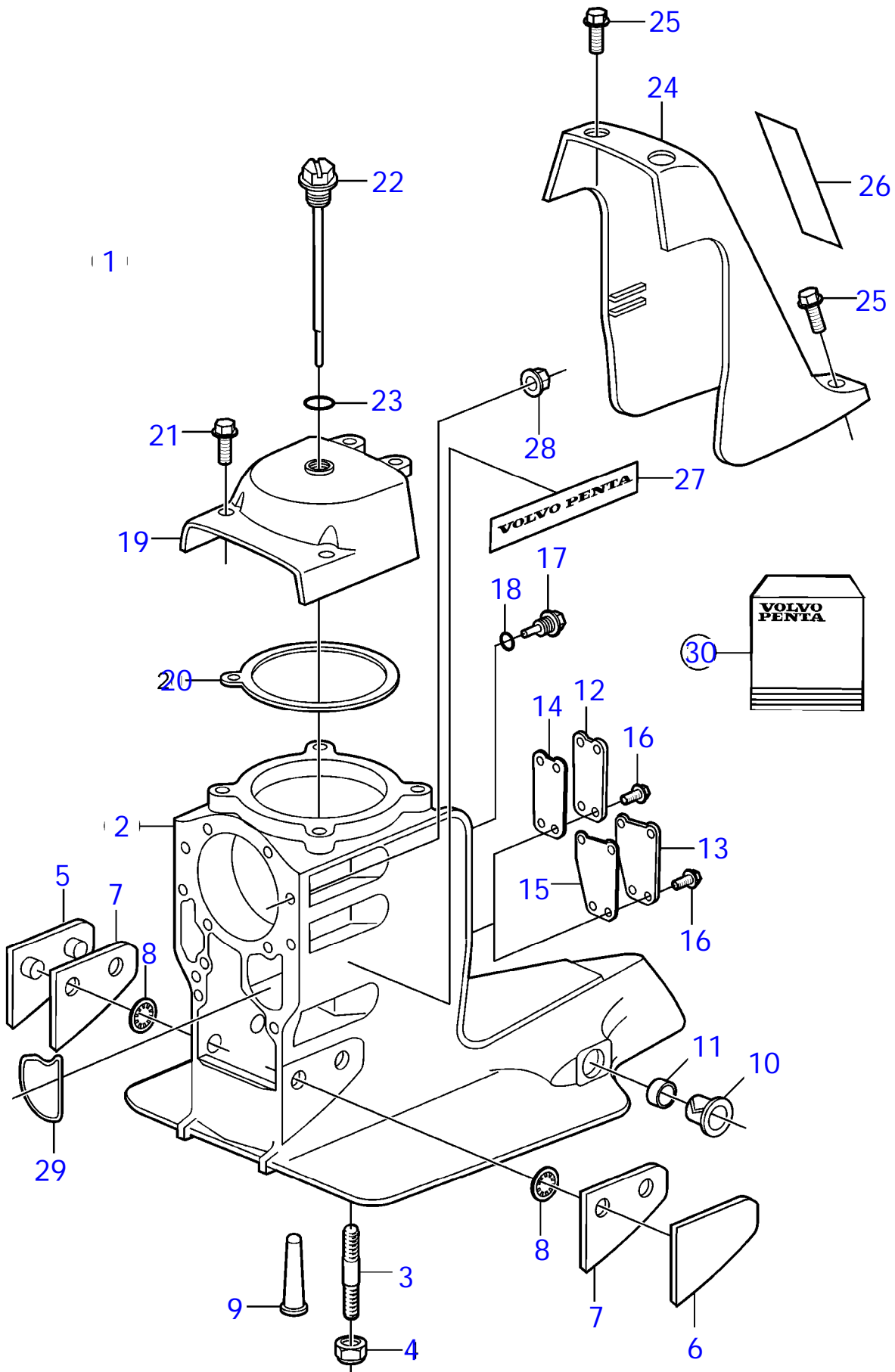
22821

**DP-SM 1.68, DP-SM 1.78, DP-SM 1.95, DP-SM 2.32, DP-SMTD 1.95, DP-SMTD1 1.95, DP-SMTD3 2.11**

REF	PART NO.	QTY	DESCRIPTION	NOTES
1	3868911	X	Drive	DP-SM, 1.68:1
	3801176	X	Aquamatic drive, exc, exch	DP-SM, 1.68:1
	3868912	X	Drive	DP-SM, 1.78:1
	3801177	X	Aquamatic drive, exc, exch	DP-SM, 1.78:1
	3868913	X	Drive	DP-SM, 1.95:1
	3801178	X	Aquamatic drive, exc, exch	DP-SM, 1.95:1
	3868914	X	Drive	DP-SM, 2.32:1
	3801179	X	Aquamatic drive, exc, exch	DP-SM, 2.32:1
	3869036	X	Drive	DP-SMTD, 1.95:1
	3869075	X	Drive	DP-SMTD1, 1.95:1
	3803624	X	Drive, exch	DP-SMTD1, 1.95:1
	3869296	X	Drive	DP-SMTD3, 2.11:1
	3801205	X	Aquamatic drive, exc, exch	DP-SMTD3, 2.11:1



DP-SM 2.32



21244

Upd:2010-08-03

21244

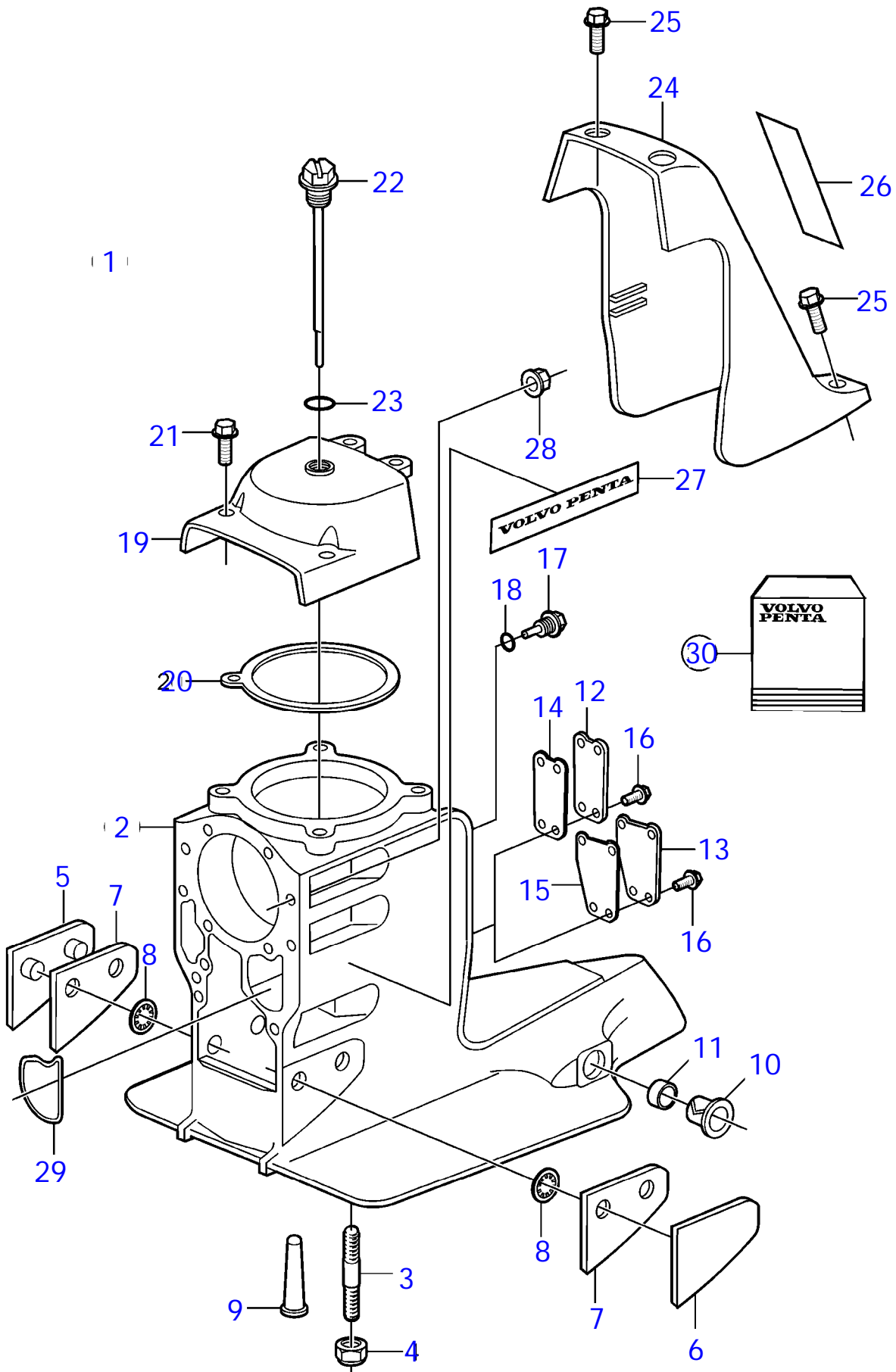
7746010-44-6240



## DP-SM 2.32

REF	PART NO.	QTY	DESCRIPTION	NOTES
1	3857010	1	Upper gear	Complete
	3801181	1	Upper gear, exch, exch	Complete
2	3855775	1	Gear housing	
3	941814	4	• Stud	DP-S
4	941885	4	• Lock nut	DP-S
5	3852562	1	Pressure plate	Earlier prod.
	3589524	1	Plate	Later production
6	3852561	1	Pressure plate	Earlier prod.
	3589522	1	Plate	Later production
7	3852563	X	Adjusting washer	Not used on later versions.
8	3852516	4	Ring	Not used on later versions.
9	3854021	1	Strainer	
10	3853423	2	Bushing	
11	3853424	2	Grommet	
12	3852280	1	Plate	Earlier prod.
13	3812478	1	Plate	Later production
14	3852279	1	Gasket	Earlier prod.
15	3812476	1	Gasket	Later production
16	3852373	4	Screw	
17	3854539	1	Plug	
18	3855081	1	• O-ring	
19	3854401	1	Bearing cover	
20	3852317	1	Gasket	
21	3852454	4	Screw	hexagon screw
	3850629	4	Screw	T30 torx
22	3854847	1	Turn signal	
23	3852045	1	O-ring	
24	3852418	1	Cover	
25	3852568	3	Screw	
26	3858670	1	Decal	Volvo Penta SX
	3855360	1	Decal	SX Diesel
	3855647	1	Decal	DP Duoprop
27	3858671	2	Decal	Volvo Penta
	3857580	2	Decal	SX Diesel
	3857582	2	Decal	DP Duoprop
28	3853329	6	Nut	
29	3852560	1	Sealing	
30	3850594	1	Kit	

DP-SM 1.68, DP-SM 1.78, DP-SM 1.95, DP-SMTD 1.95, DP-SMTD1 1.95



21244

Upd:2010-08-03

21244

7746010-44-7925

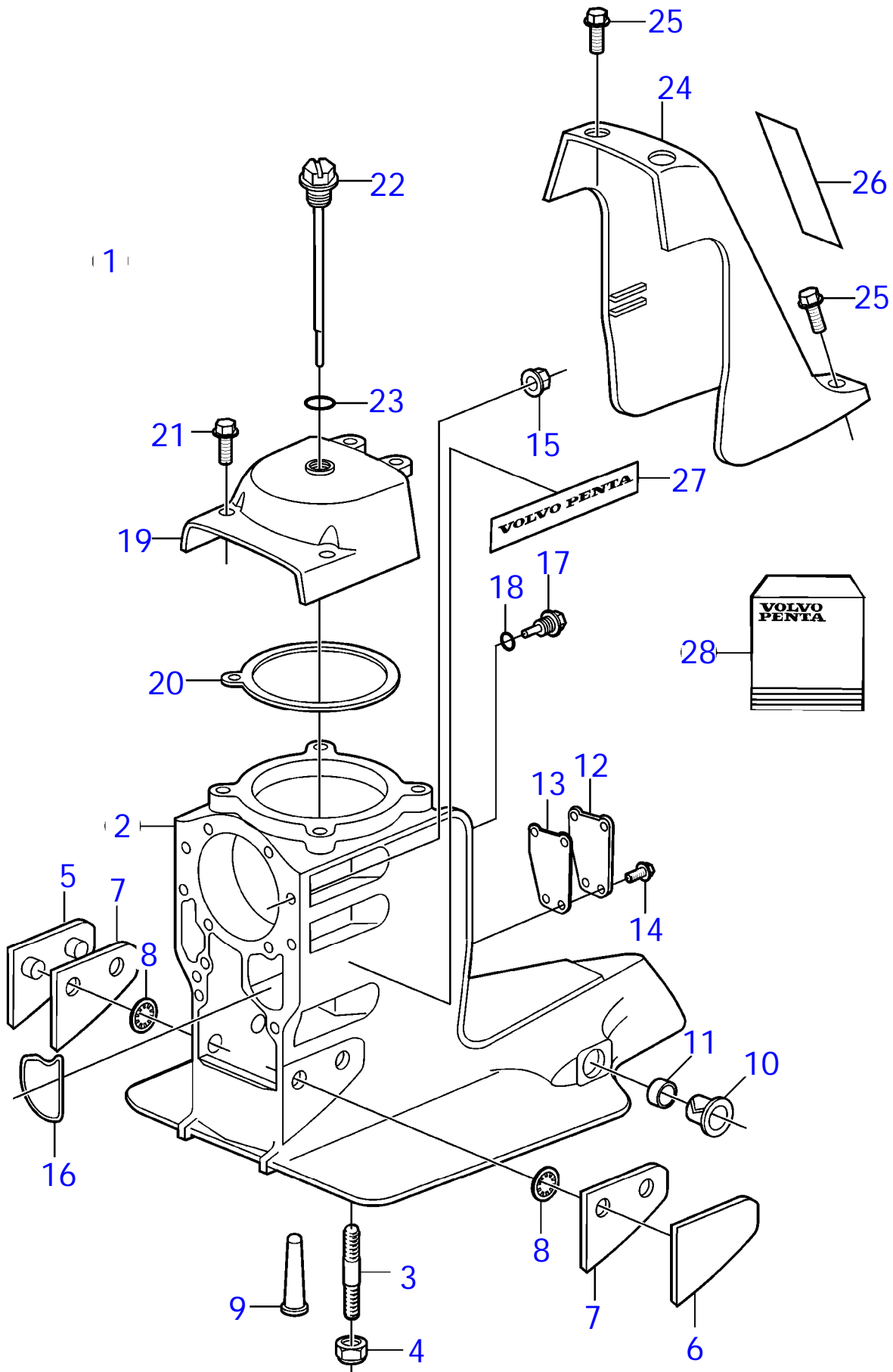


DP-SM 1.68, DP-SM 1.78, DP-SM 1.95, DP-SMTD 1.95, DP-SMTD1 1.95

REF	PART NO.	QTY	DESCRIPTION	NOTES
1	3857007	1	Upper gear	Complete
	3801180	1	Upper gear, exch, exch	Complete
2	3855775	1	Gear housing	
3	941814	4	• Stud	DP-S
4	941885	4	• Lock nut	DP-S
5	3852562	1	Pressure plate	Earlier prod.
	3589524	1	Plate	Later production
6	3852561	1	Pressure plate	Earlier prod.
	3589522	1	Plate	Later production
7	3852563	X	Adjusting washer	Not used on later versions.
8	3852516	4	Ring	Not used on later versions.
9	3854021	1	Strainer	
10	3853423	2	Bushing	
11	3853424	2	Grommet	
12	3852280	1	Plate	Earlier prod.
13	3812478	1	Plate	Later production
14	3852279	1	Gasket	Earlier prod.
15	3812476	1	Gasket	Later production
16	3852373	4	Screw	
17	3854539	1	Plug	
18	3855081	1	• O-ring	
19	3854401	1	Bearing cover	
20	3852317	1	Gasket	
21	3852454	4	Screw	hexagon screw
	3850629	4	Screw	T30 torx
22	3854847	1	Turn signal	
23	3852045	1	O-ring	
24	3852418	1	Cover	
25	3852568	3	Screw	
26	3858670	1	Decal	Volvo Penta SX
	3855360	1	Decal	SX Diesel
	3855647	1	Decal	DP Duoprop
27	3858671	2	Decal	Volvo Penta
	3857580	2	Decal	SX Diesel
	3857582	2	Decal	DP Duoprop
28	3853329	6	Nut	
29	3852560	1	Sealing	
30	3850594	1	Kit	



DP-SMTD3 2.11



21265

Upd:2010-08-03

21265

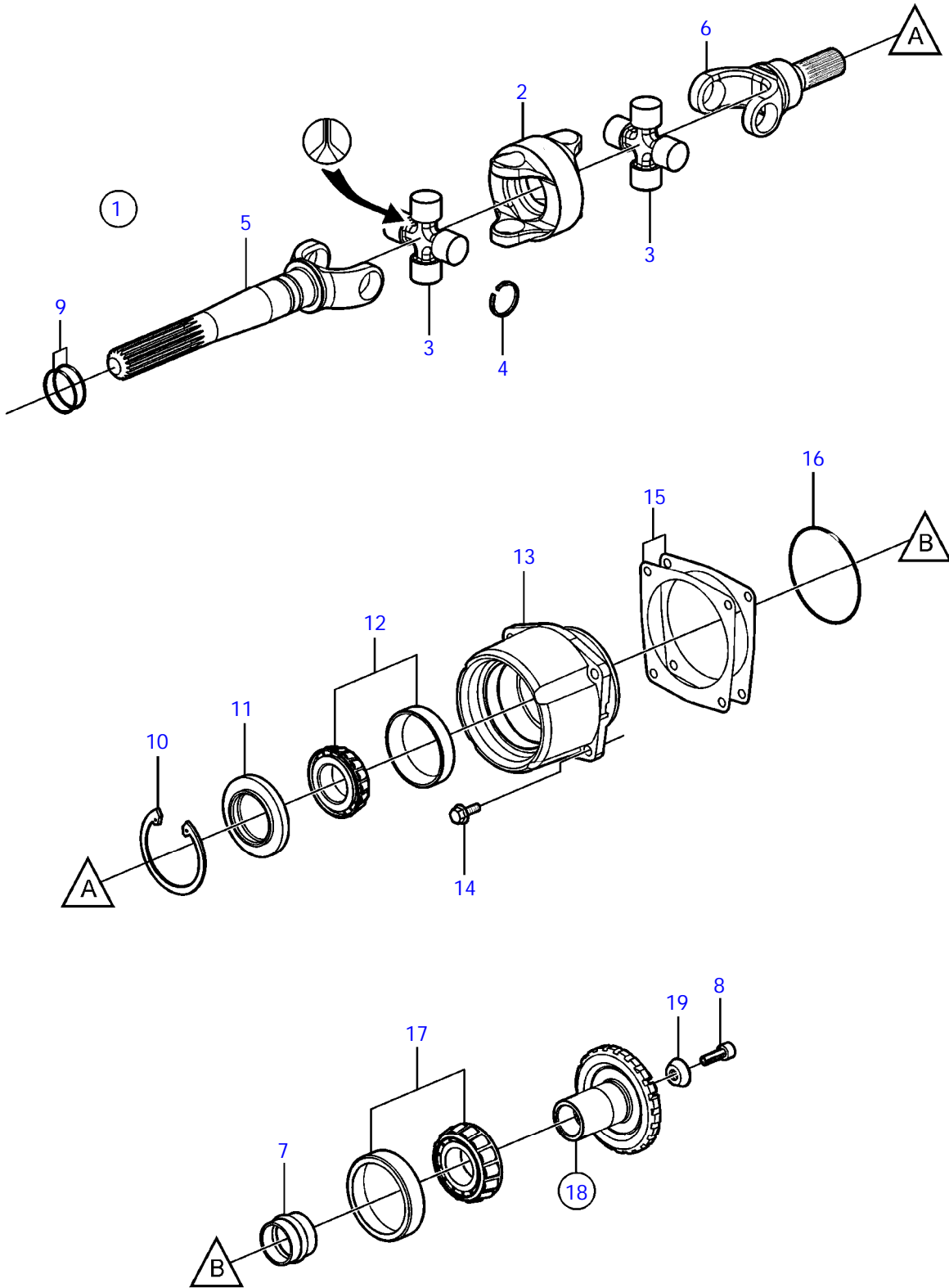
7746010-44-7926



## DP-SMTD3 2.11

REF	PART NO.	QTY	DESCRIPTION	NOTES
1	3857010	1	Upper gear	Complete
	3801181	1	Upper gear, exch, exch	Complete
2	3818650	1	Gear housing	
3	941814	4	• Stud	
4	941885	4	• Lock nut	
5	3852562	1	Pressure plate	Earlier prod.
	3589524	1	Plate	Later production
6	3852561	1	Pressure plate	Earlier prod.
	3589522	1	Plate	Later production
7	3852563	X	Adjusting washer	Not used on later versions.
8	3852516	4	Ring	Not used on later versions.
9	3854021	1	Strainer	
10	3853423	2	Bushing	
11	3853424	2	Grommet	
12	3812478	1	Plate	
13	3812476	1	Gasket	
14	3852373	4	Screw	
15	3853329	4	Nut	
16	3852560	1	Sealing	
17	3854539	1	Plug	
18	3855081	1	• O-ring	
19	3854401	1	Bearing cover	
20	3852317	1	Gasket	
21	3852454	4	Screw	
22	3854847	1	Turn signal	
23	3852045	1	O-ring	
24	3852418	1	Cover	
25	3852568	3	Screw	
26	3855647	1	Decal	DP Duoprop
27	3857582	2	Decal	DP Duoprop
28	3850594	X	Kit	

DP-SM 1.68, DP-SM 1.78, DP-SM 1.95

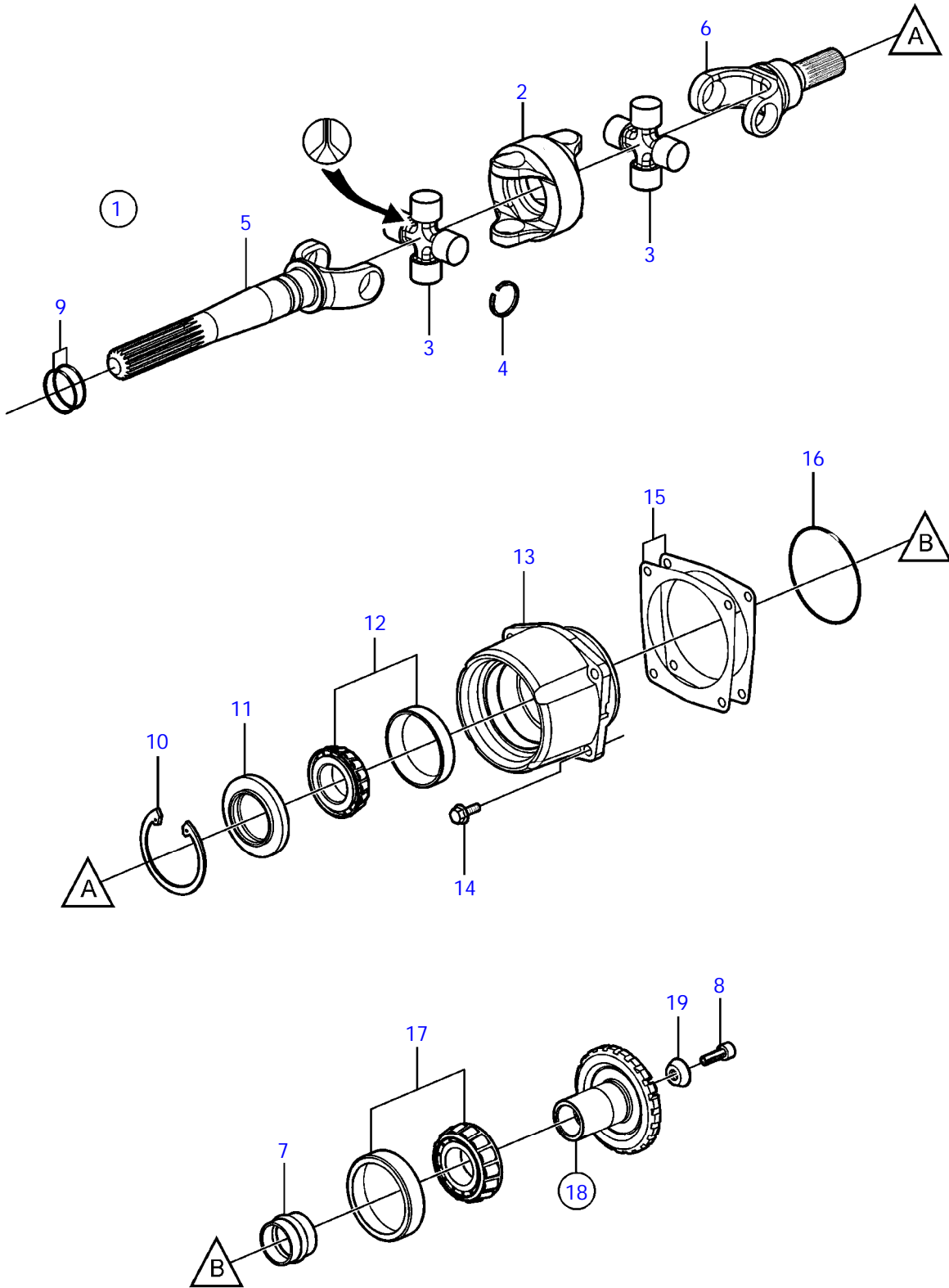


24512

DP-SM 1.68, DP-SM 1.78, DP-SM 1.95

REF	PART NO.	QTY	DESCRIPTION	SEE SEC.	NOTES
1	3852384	1	Universal joint		1997 to mid-2000, replaced by 3860842
			• Bulletin P-44-1-5	P-44-1-5-EN	U-joints
2	3850813	1	• Spacer		
3	3850812	2	• Spider		with grease fitting
4	3850757	4	• Locking clip		OBSOLETE PART
5	3850815	1	• Yoke		
6	3850814	1	• Yoke		
7	3852304	1	Sleeve		
8	3852309	1	Screw		L=24mm
9	3852565	2	O-ring		
10	914538	1	Snap ring		
11	3852272	1	Sealing		
12	3850853	1	Bearing		
13	3852267	1	Bearing housing		
14	3852454	4	Screw		
15	3852355	X	Shim		TH=0.003"
	3852356	X	Adjusting washer		TH=0.004"
	3852357	X	Adjusting washer		TH=0.005"
	3852358	X	Adjusting washer		TH=0.010"
16	925095	1	O-ring		
17	3850852	1	Bearing		
18	3851203	1	Gear		
19	853026	1	Washer		

DP-SM 2.32

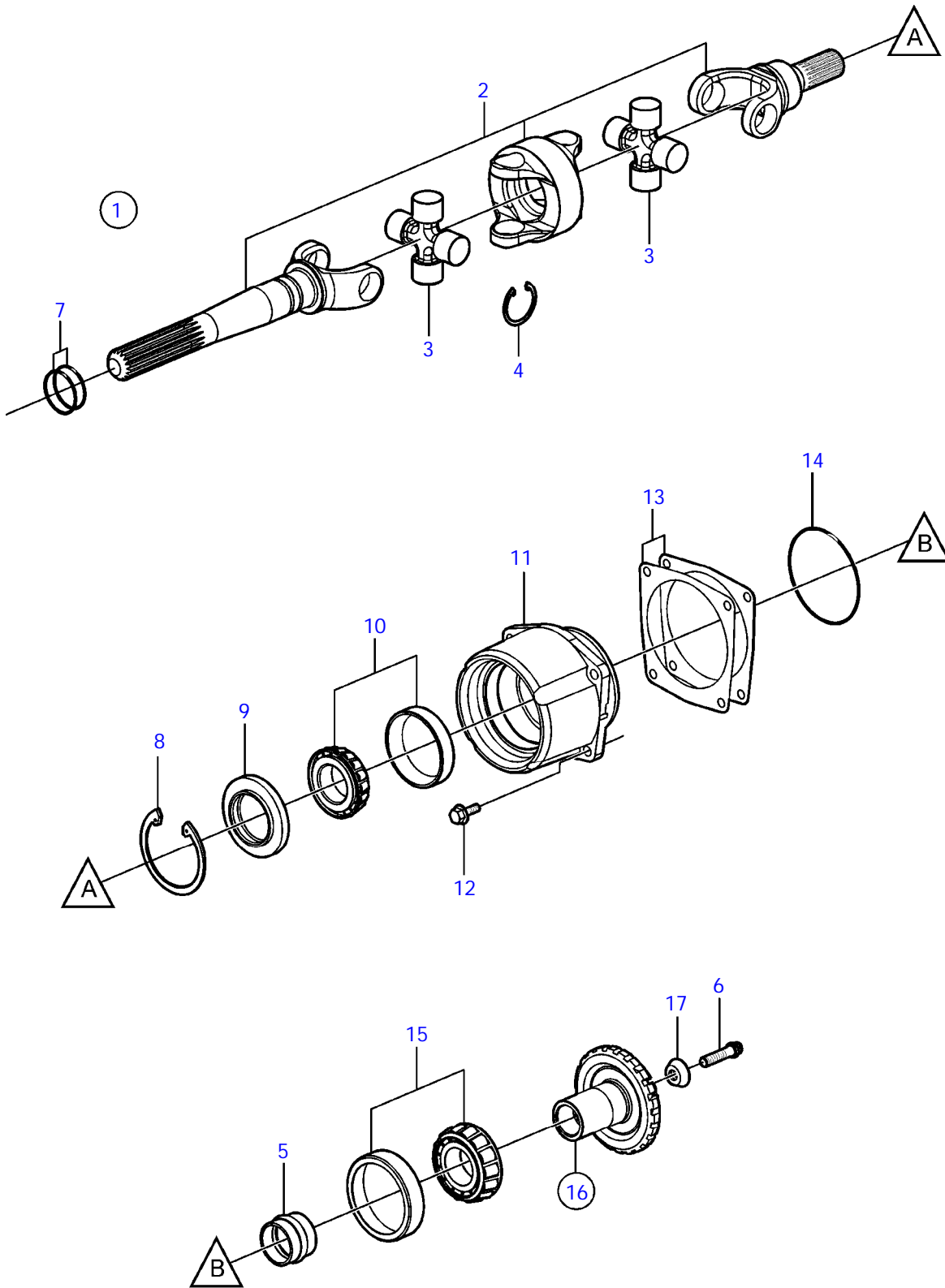


24512

DP-SM 2.32

REF	PART NO.	QTY	DESCRIPTION	SEE SEC.	NOTES
1	3852384	1	Universal joint		1997 to mid-2000, replaced by 3860842
			• Bulletin P-44-1-5	P-44-1-5-EN	U-joints
2	3850813	1	• Spacer		
3	3850812	2	• Spider		with grease fitting
4	3850757	4	• Locking clip		OBSOLETE PART
5	3850815	1	• Yoke		
6	3850814	1	• Yoke		
7	3852304	1	Sleeve		
8	3852309	1	Screw		L=24mm
9	3852565	2	O-ring		
10	914538	1	Snap ring		
11	3852272	1	Sealing		
12	3850853	1	Bearing		
13	3852267	1	Bearing housing		
14	3852454	4	Screw		
15	3852355	X	Shim		TH=0.003"
	3852356	X	Adjusting washer		TH=0.004"
	3852357	X	Adjusting washer		TH=0.005"
	3852358	X	Adjusting washer		TH=0.010"
16	925095	1	O-ring		
17	3850852	1	Bearing		
18	3856996	1	Gear set		
19	853026	1	Washer		

DP-SM 2.32, DP-SMTD3 2.11



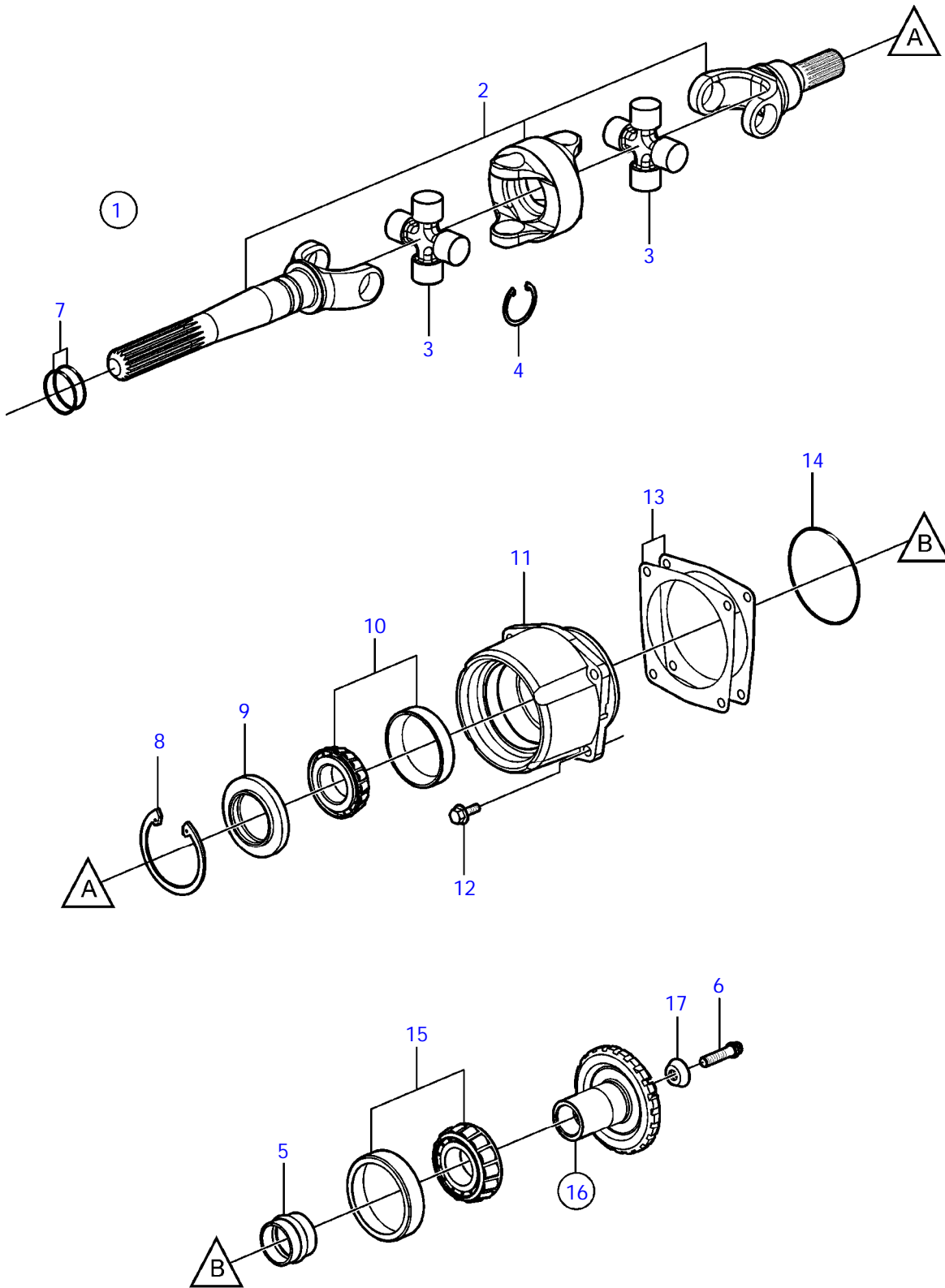
19618

DP-SM 2.32, DP-SMTD3 2.11

REF	PART NO.	QTY	DESCRIPTION	SEE SEC.	NOTES
1	3860842	1	Kit		2000 to 2005
			• Bulletin P-44-1-5	P-44-1-5-EN	U-joints
2		1	• Universal joint		not sold separately
3		2	• • Spider		not sold separately
4		4	• • Snap ring		not sold separately
5	3852304	1	• Sleeve		
6	3860364	1	• Screw		L=44mm
7	3852565	2	O-ring		
8	914538	1	Snap ring		
9	3852272	1	Sealing		
10	3850853	1	Bearing		
11	3852267	1	Bearing housing		
12	3852454	4	Screw		
13	3852355	X	Shim		TH=0.003"
	3852356	X	Adjusting washer		TH=0.004"
	3852357	X	Adjusting washer		TH=0.005"
	3852358	X	Adjusting washer		TH=0.010"
14	925095	1	O-ring		
15	3850852	1	Bearing		
16	3856996	1	Gear set		
17	853026	1	Washer		



DP-SM 1.68, DP-SM 1.78, DP-SM 1.95, DP-SMTD 1.95, DP-SMTD1 1.95

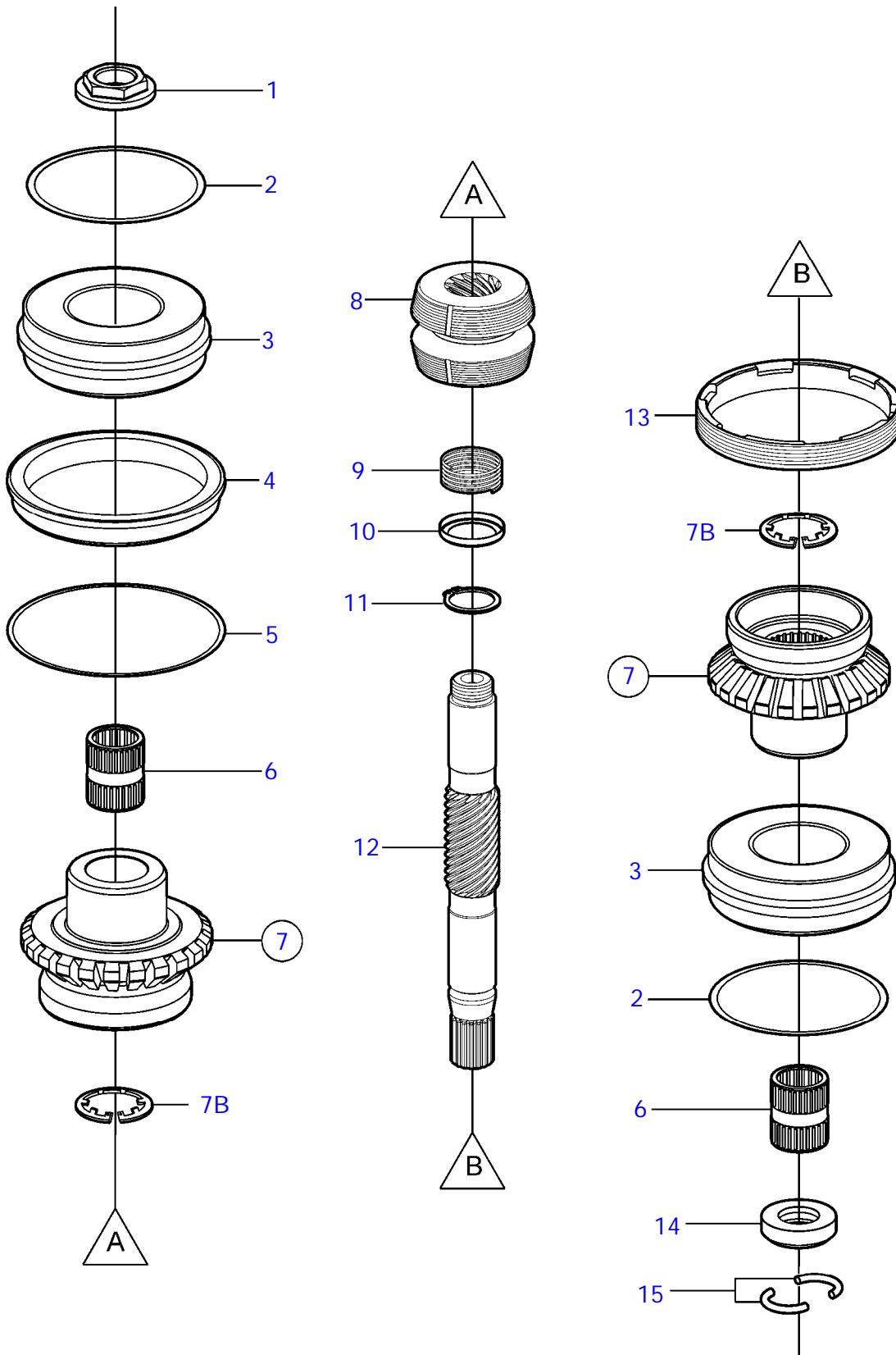


19618

DP-SM 1.68, DP-SM 1.78, DP-SM 1.95, DP-SMTD 1.95, DP-SMTD1 1.95

REF	PART NO.	QTY	DESCRIPTION	SEE SEC.	NOTES
1	3860842	1	Kit		2000 to 2005
			• Bulletin P-44-1-5	P-44-1-5-EN	U-joints
2		1	• Universal joint		not sold separately
3		2	• • Spider		not sold separately
4		4	• • Snap ring		not sold separately
5	3860364	1	• Screw		
6	3852304	1	• Sleeve		
7	3852565	2	O-ring		
8	914538	1	Snap ring		
9	3852272	1	Sealing		
10	3850853	1	Bearing		
11	3852267	1	Bearing housing		
12	3852454	4	Screw		
13	3852355	X	Shim		TH=0.003"
	3852356	X	Adjusting washer		TH=0.004"
	3852357	X	Adjusting washer		TH=0.005"
	3852358	X	Adjusting washer		TH=0.010"
14	925095	1	O-ring		
15	3850852	1	Bearing		
16	3851203	1	Gear		
17	853026	1	Washer		

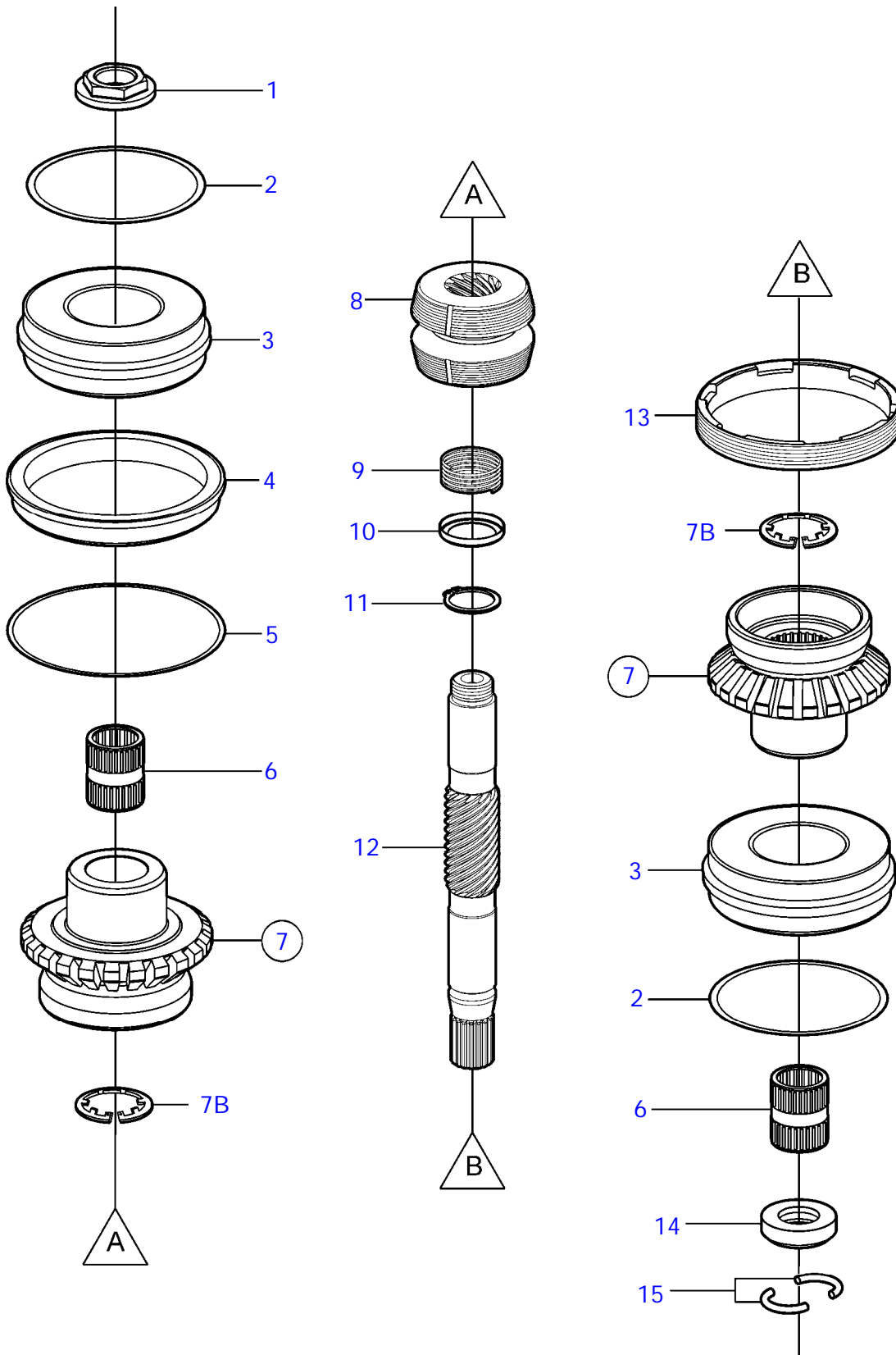
DP-SM 2.32, DP-SMTD3 2.11



DP-SM 2.32, DP-SMTD3 2.11

REF	PART NO.	QTY	DESCRIPTION	SEE SEC.	NOTES
1	3852301	X	Nut		TH = 0.00
	3852302	X	Nut		TH = 0.20mm
	3852303	X	Nut		TH = 0.40mm
	3852375	X	Nut		TH = 0.60mm
2	3852368	X	Shim		TH=0.002"
	3852369	X	Shim		TH=0.003"
	3852370	X	Shim		TH=0.004"
	3852371	X	Shim		TH=0.005"
	3852372	X	Shim		TH=0.010"
3	3857176	2	Kit		
4	3852269	1	Ring		
5	3852363	X	Shim		TH=0.002"
	3852364	X	Shim		TH=0.003"
	3852365	X	Shim		TH=0.004"
	3852366	X	Shim		TH=0.005"
	3852367	X	Shim		TH=0.010"
6	3852390	2	Bearing		
7	3856996	1	Gear set		replaced by next part number
	21130693	1	Kit		contains gear set, sliding sleeve & shoe
7B	190356	2	• Snap ring		
8	3855783	1	Sliding sleeve		replaced by next part number
			• Bulletin P-44-1-18	P-44-1-18-EN	Shift Cone
8	3807613	1	Sliding sleeve		
9	3852296	1	Spring		Not used on later versions.
10	3852298	1	Spacer		Not used on later versions.
11	951078	1	Snap ring		Not used on later versions.
12	3852292	1	Spindle		
13	3852262	1	Ring		
14	3852294	1	Ring		
15	3852295	2	Locking clip		

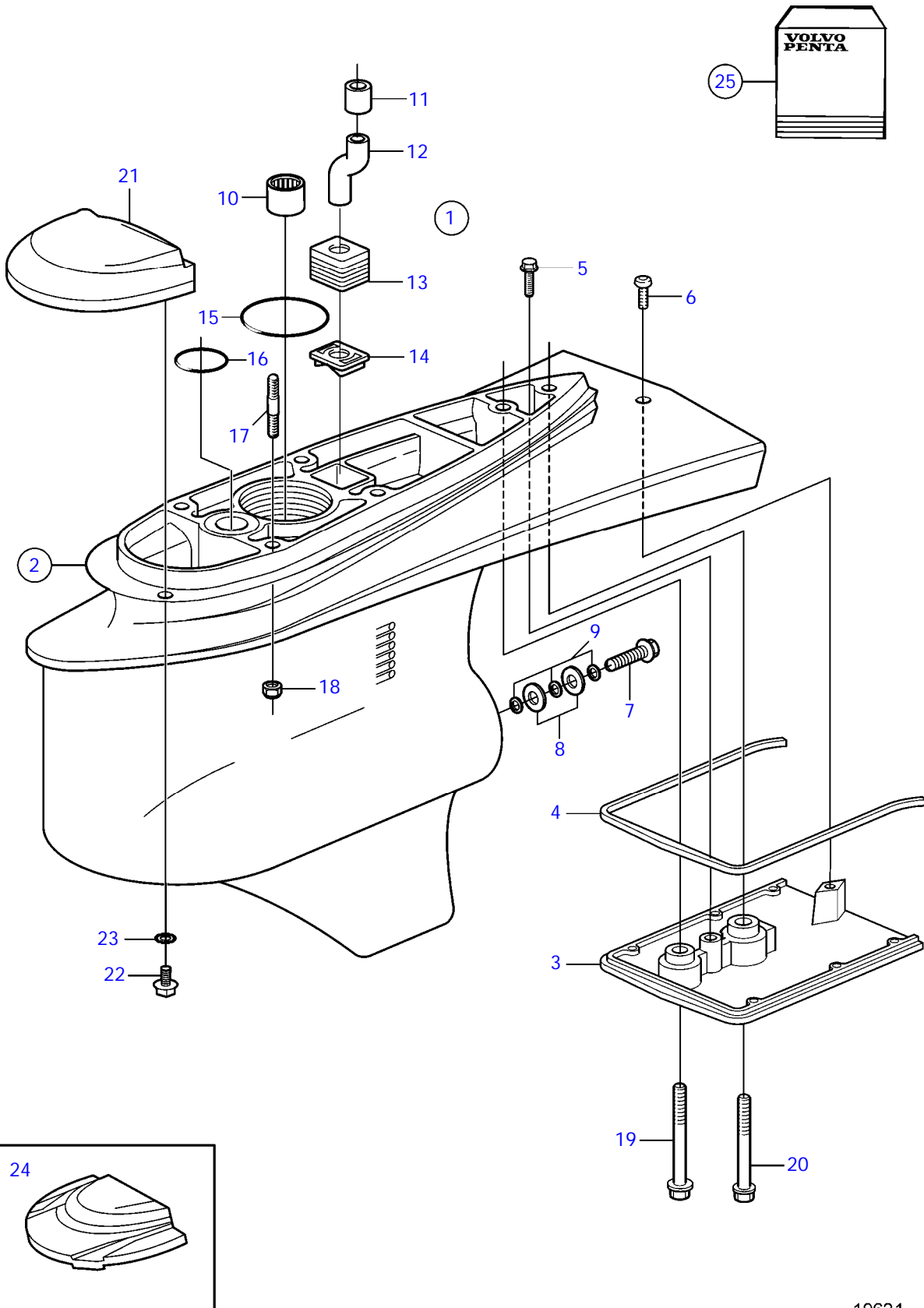
DP-SM 1.68, DP-SM 1.78, DP-SM 1.95, DP-SMTD 1.95, DP-SMTD1 1.95



DP-SM 1.68, DP-SM 1.78, DP-SM 1.95, DP-SMTD 1.95, DP-SMTD1 1.95

REF	PART NO.	QTY	DESCRIPTION	SEE SEC.	NOTES
1	3852301	1	Nut		TH = 0.00
	3852302	1	Nut		TH = 0.20mm
	3852303	1	Nut		TH = 0.40mm
	3852375	1	Nut		TH = 0.60mm
2	3852368	1	Shim		TH=0.002"
	3852369	1	Shim		TH=0.003"
	3852370	1	Shim		TH=0.004"
	3852371	1	Shim		TH=0.005"
	3852372	1	Shim		TH=0.010"
3	3857176	2	Kit		
4	3852269	1	Ring		
5	3852363	1	Shim		TH=0.002"
	3852364	1	Shim		TH=0.003"
	3852365	1	Shim		TH=0.004"
	3852366	1	Shim		TH=0.005"
	3852367	1	Shim		TH=0.010"
6	3852390	2	Bearing		
7	3851203	1	Gear		replaced by next part number
	21130692	1	Kit		contains gear set, sliding sleeve & shoe
7B	190356	2	• Snap ring		
8	3855783	1	Sliding sleeve		replaced by next part number
			• Bulletin P-44-1-18	P-44-1-18-EN	Shift Cone
8	3807613	1	Sliding sleeve		
9	3852296	1	Spring		Not used on later versions.
10	3852298	1	Spacer		Not used on later versions.
11	951078	1	Snap ring		Not used on later versions.
12	3852292	1	Spindle		
13	3852262	1	Ring		
14	3852294	1	Ring		
15	3852295	2	Locking clip		

DP-SM 1.68, DP-SM 1.78, DP-SM 1.95, DP-SM 2.32, DP-SMTD 1.95, DP-SMTD1 1.95, DP-SMTD3 2.11



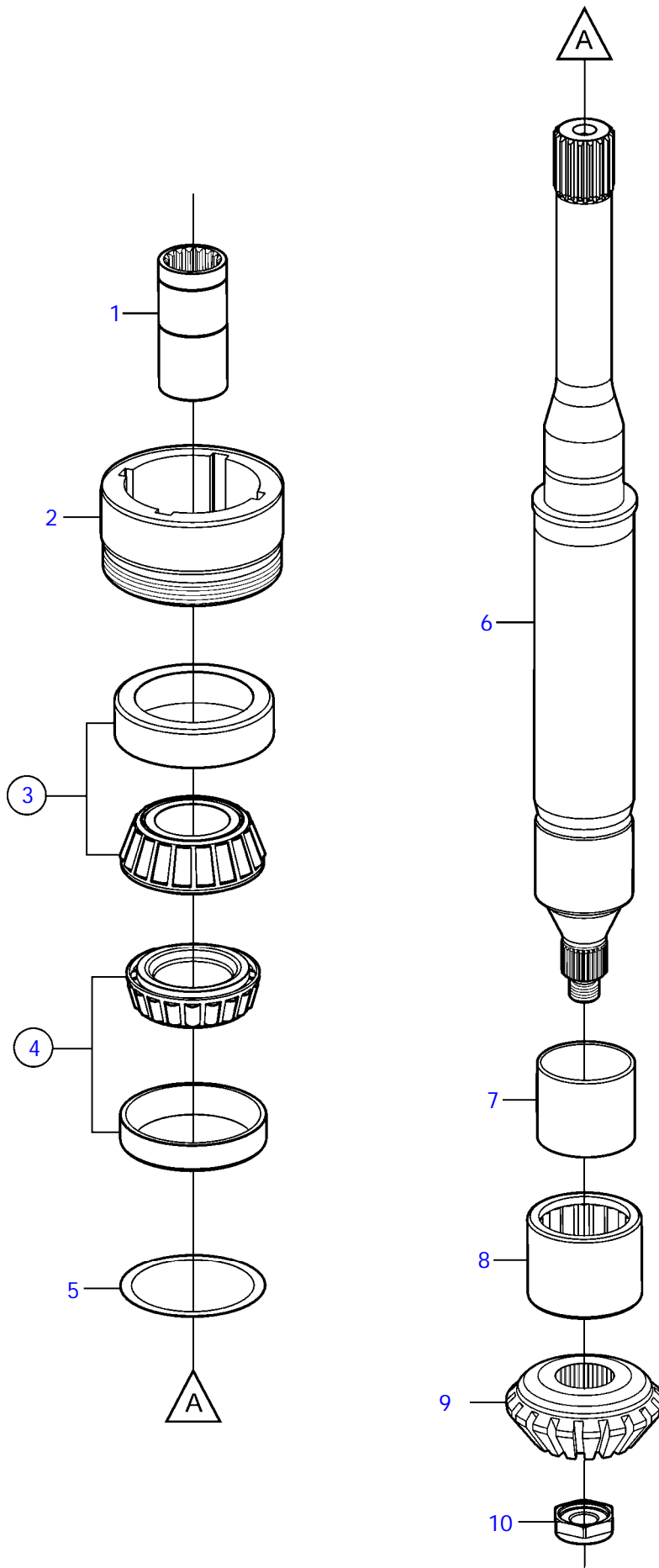
19621

DP-SM 1.68, DP-SM 1.78, DP-SM 1.95, DP-SM 2.32, DP-SMTD 1.95, DP-SMTD1 1.95, DP-SMTD3 2.11

REF	PART NO.	QTY	DESCRIPTION	SEE SEC.	NOTES
1	3860765	1	Lower gear, complete		2.32:1 & 1.95:1
	3801184	1	Lower gear, exch, complete, exch		2.32:1 & 1.95:1
	3855907	1	Lower gear, complete		2.11:1, 1.78:1
	3801183	1	Lower gear, exch, complete, exch		2.11:1, 1.78:1
	3855906	1	Lower gear, complete		1.68:1
	3801182	1	Lower gear, exch, complete, exch		1.68:1
2	3860732	1	Gear housing		
3	3855544	1	• Cover		
4	3854898	1	• Sealing		
5	3855819	1	• Flange screw		
6	3855004	1	• Screw		
7	3855578	1	• Screw		
8	854096	2	• Magnet		
9	955893	3	• Washer		
10	184654	1	• Needle roller bushin		
11	3852315	1	Sealing		
12	3860252	1	Tube		
13	3854595	1	Sealing		
14	3854601	1	Retainer		
15	3852866	1	O-ring		
16	3852959	1	O-ring		
17	941814	4	Stud		
18	941885	4	Lock nut		
19	3852960	1	Screw		
20	3852349	1	Screw		
21	3855411	1	Zinc anode		
			• Bulletin P-44-1-1	P-44-1-1-EN	Anodes, SX AND DP-S
21	3855412	1	Magnesium anode		
	3863193	1	Anode, aluminum		
22	3852186	2	Hexagon screw		
23	3852182	2	Washer		
24	3857857	1	Zinc anode		
	3857858	1	Magnesium anode		
	3586462	1	Anode, aluminum		OBSOLETE PART
25	3856002	1	Sealing kit		



DP-SM 1.68, DP-SM 1.78, DP-SM 1.95, DP-SM 2.32, DP-SMTD 1.95, DP-SMTD1 1.95, DP-SMTD3 2.11



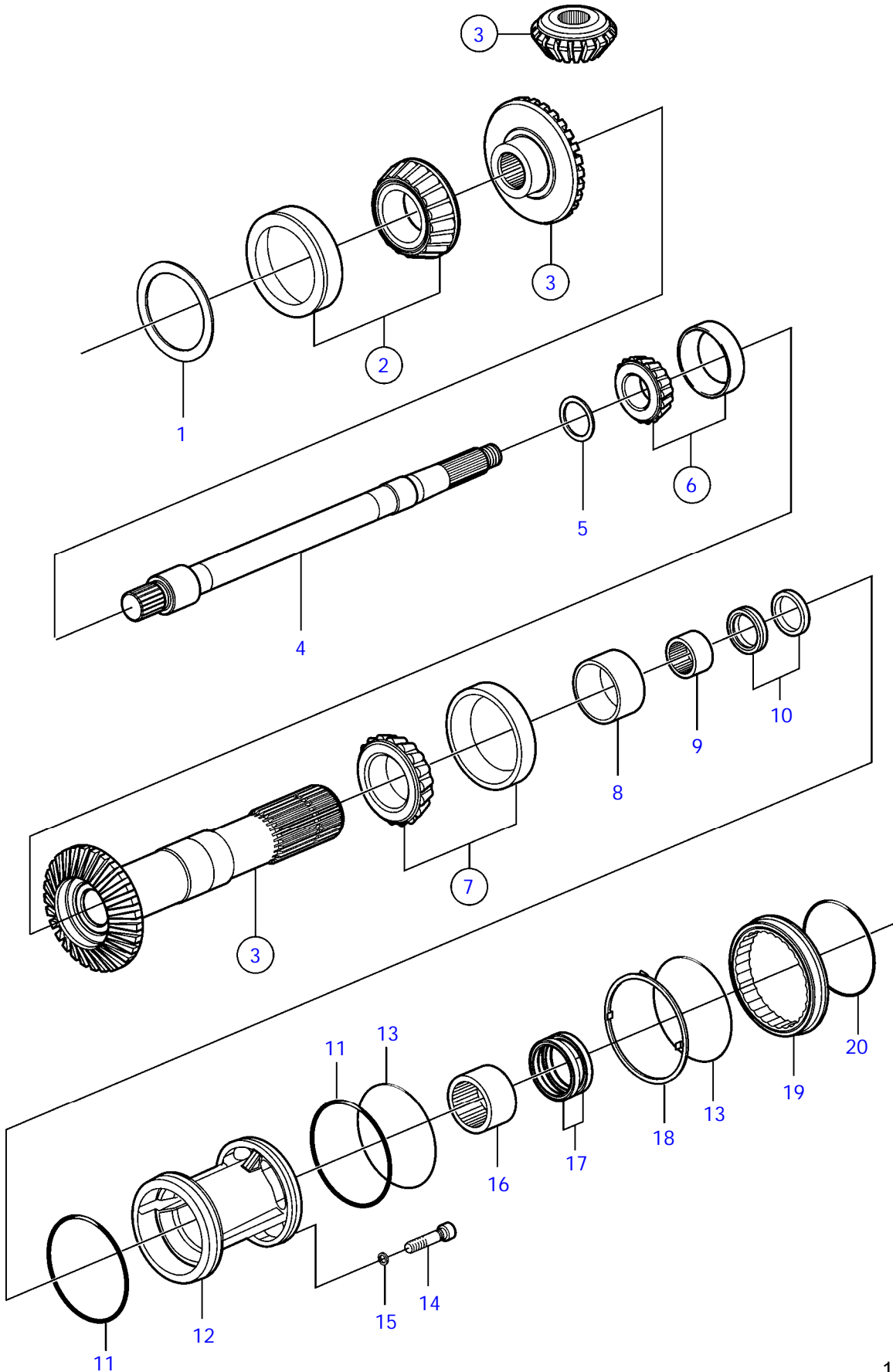
19623

DP-SM 1.68, DP-SM 1.78, DP-SM 1.95, DP-SM 2.32, DP-SMTD 1.95, DP-SMTD1 1.95, DP-SMTD3 2.11

REF	PART NO.	QTY	DESCRIPTION	SEE SEC.	NOTES
1	3852268	1	Splined sleeve		
2	3855636	1	Retainer		
3	3854250	1	Roller bearing		
4	3854249	1	Roller bearing		
5	3852889	X	Shim		TH = 0.003"
	3852890	X	Shim		TH = 0.004"
	3852891	X	Shim		TH = 0.005"
	3852892	X	Shim		TH = 0.010"
6	3855492	1	Countershaft		
7	184682	1	• Inner ring		
8	184654	1	Needle roller bushin		
9	3851309	1	Gear	6244	2.32:1 & 1.95:1
	3851304	1	Gear	6244	2.11:1, 1.78:1
	3851299	1	Gear	6244	1.68:1
10	852212	1	Nut		



DP-SM 1.68, DP-SM 1.78, DP-SM 1.95, DP-SM 2.32, DP-SMTD 1.95, DP-SMTD1 1.95, DP-SMTD3 2.11

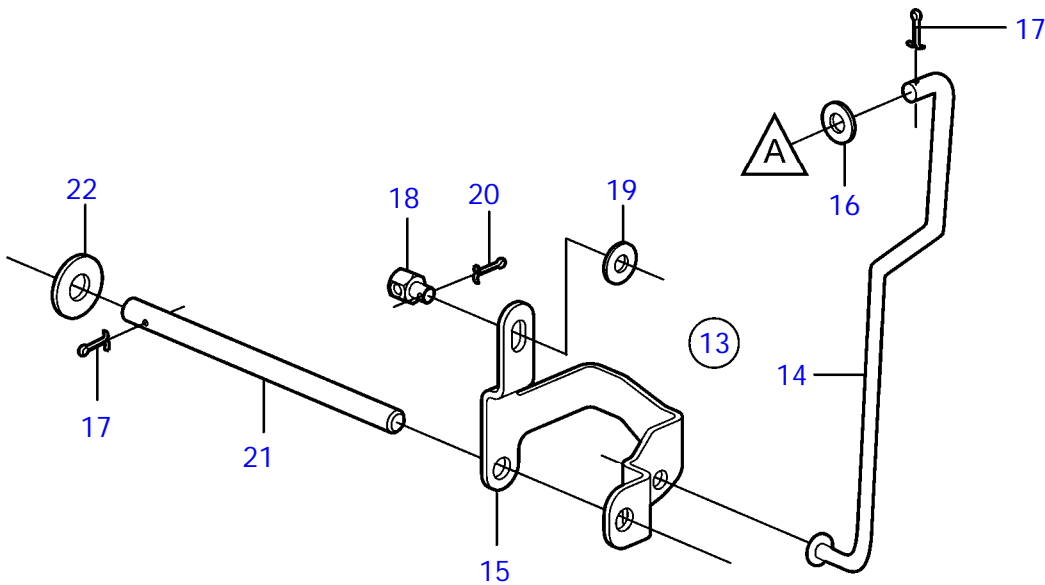
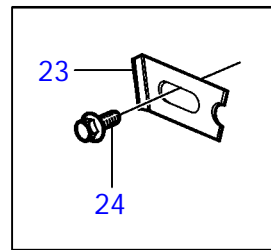
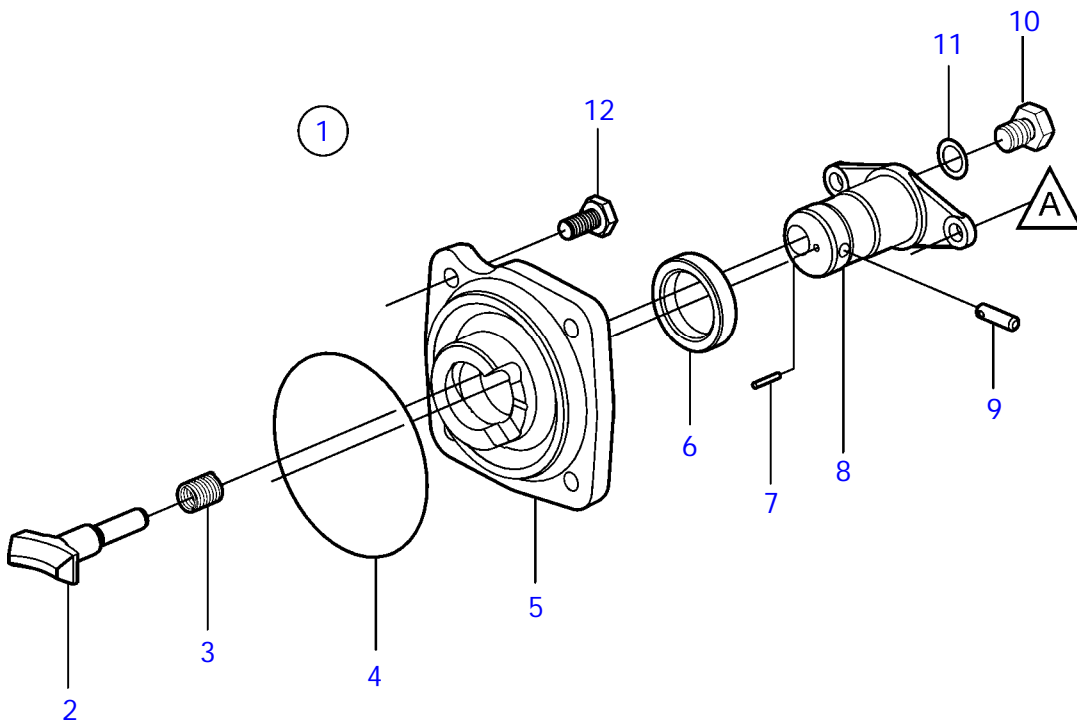


19624

DP-SM 1.68, DP-SM 1.78, DP-SM 1.95, DP-SM 2.32, DP-SMTD 1.95, DP-SMTD1 1.95, DP-SMTD3 2.11

REF	PART NO.	QTY	DESCRIPTION	SEE SEC.	NOTES
1	967352	X	Shim		TH = 0.05mm
	941823	X	Shim		TH=0.10mm
	967351	X	Shim		TH = 0.15mm
	941824	X	Shim		TH=0.20mm
	941825	X	Shim		TH=0.40mm
2	11044	1	Roller bearing		
3	3851309	1	Gear	6231	2.32:1 & 1.95:1
	3851304	1	Gear		2.11:1, 1.78:1
	3851299	1	Gear		1.68:1
4	3851205	1	Propeller shaft		
5	191834	X	Shim		TH = 0.10mm
	191835	X	Shim		TH=0,15mm
	191837	X	Shim		TH = 0.25mm
6	3859038	1	Bearing		
7	184765	1	Roller bearing		
8	184683	1	Inner ring		
9	183272	1	Needle roller bushin		
10	853871	1	Sealing ring		
11	3854625	2	O-ring		
12	3851234	1	Bearing housing		
13	946438	2	O-ring		
14	3851329	1	Screw		
15	955981	1	O-ring		
16	183859	1	Needle roller bushin		
17	851407	2	Sealing ring		
18	3851246	1	Retainer		
19	3851327	1	Thrust ring		
20	3854624	1	O-ring		

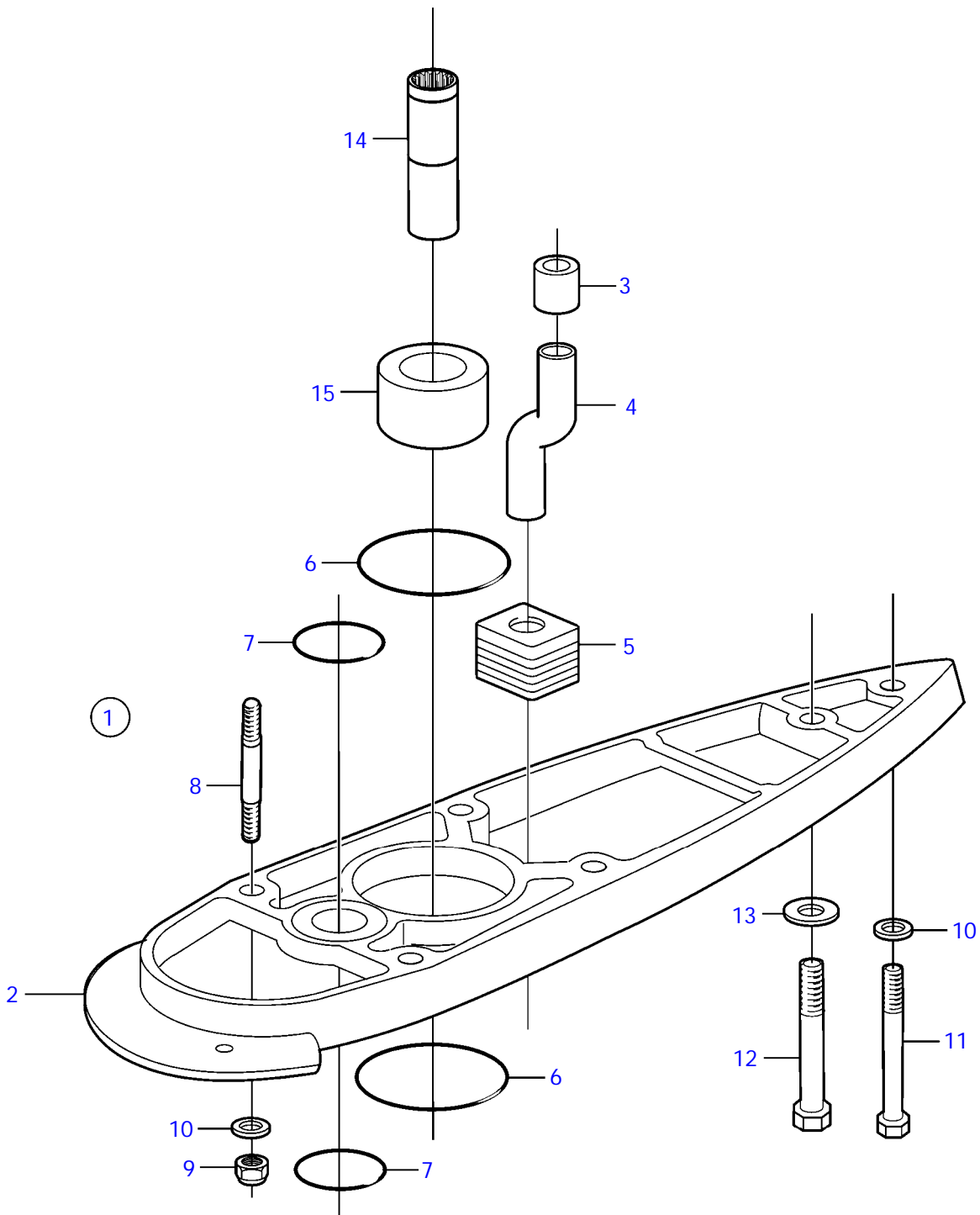
DP-SM 1.68, DP-SM 1.78, DP-SM 1.95, DP-SM 2.32, DP-SMTD 1.95, DP-SMTD1 1.95, DP-SMTD3 2.11



DP-SM 1.68, DP-SM 1.78, DP-SM 1.95, DP-SM 2.32, DP-SMTD 1.95, DP-SMTD1 1.95, DP-SMTD3 2.11

REF	PART NO.	QTY	DESCRIPTION
1	3855787	1	Shift unit
2	3856502	1	• Dog
3	814184	1	• Spring
4	925093	1	• O-ring
5	3855785	1	• Bearing housing
6	853868	1	• Sealing ring
7	973593	1	• Spring pin
8	3856008	1	• Plunger
9	942871	1	• Clevis pin
10	897711	1	• Screw
11	897871	4	• Shim
12	3856742	4	Screw
13	3857460	1	Link rod kit
14		1	• Bar
15		1	• Bracket
16	3852193	1	Washer
17	3852052	2	Split pin
18	3852329	1	Cube
19	3852193	1	Washer
20	3854480	1	Split pin
21	3852277	1	Bar
22	3852083	1	Washer
23	3809477	1	Retainer, shift cable
24	3852006	1	Screw

DP-SM 1.68, DP-SM 1.78, DP-SM 1.95, DP-SM 2.32, DP-SMTD 1.95, DP-SMTD1 1.95, DP-SMTD3 2.11



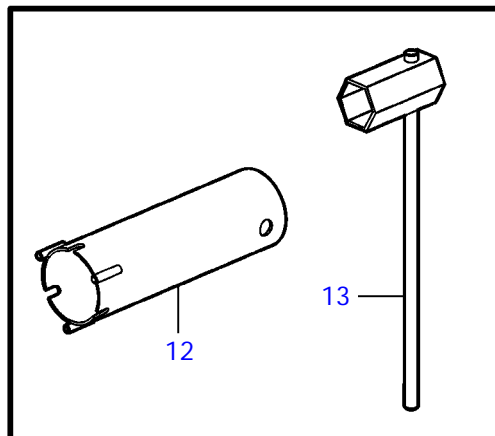
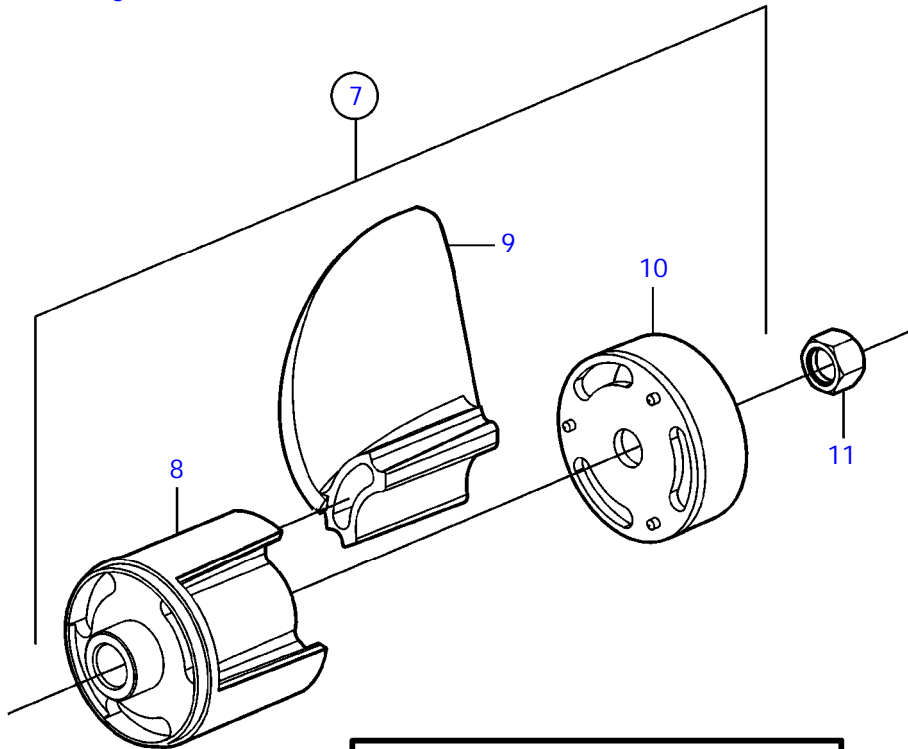
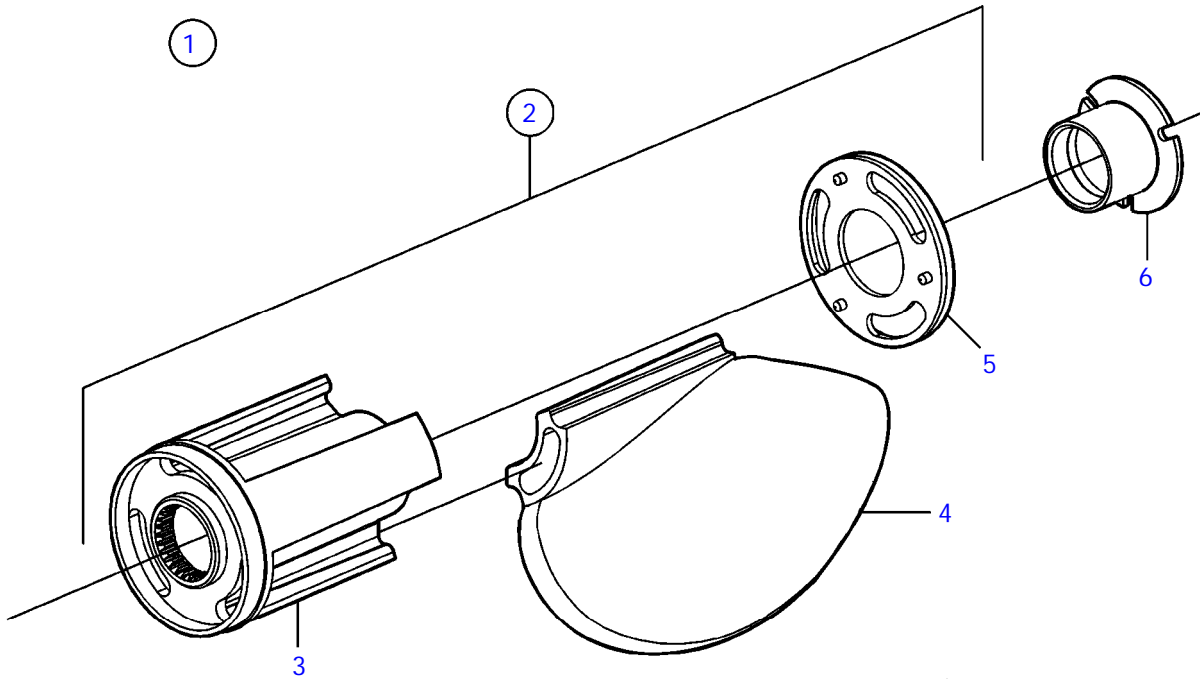
19626

DP-SM 1.68, DP-SM 1.78, DP-SM 1.95, DP-SM 2.32, DP-SMTD 1.95, DP-SMTD1 1.95, DP-SMTD3 2.11

REF	PART NO.	QTY	DESCRIPTION	NOTES
1	3855667	1	Extension kit	
2		1	• Extension	
3	3852315	1	• Sealing	
4	3854530	1	• Hose	
5	3854595	1	• Sealing	
6	3852866	2	• O-ring	
7	3852959	2	• O-ring	
8	3856718	4	• Stud	
9	941885	4	• Lock nut	
10	3856736	5	• Washer	
11	3856724	1	• Bolt	SX
	3856725	1	• Bolt	DP-S
12	3856726	1	• Bolt	SX
	3856727	1	• Bolt	DP-S
13	3856735	1	• Washer	
14	854684	1	• Splined sleeve	
15	3855633	1	• Retainer	



DP-SM 1.68, DP-SM 1.78, DP-SM 1.95, DP-SM 2.32, DP-SMTD 1.95, DP-SMTD1 1.95, DP-SMTD3 2.11

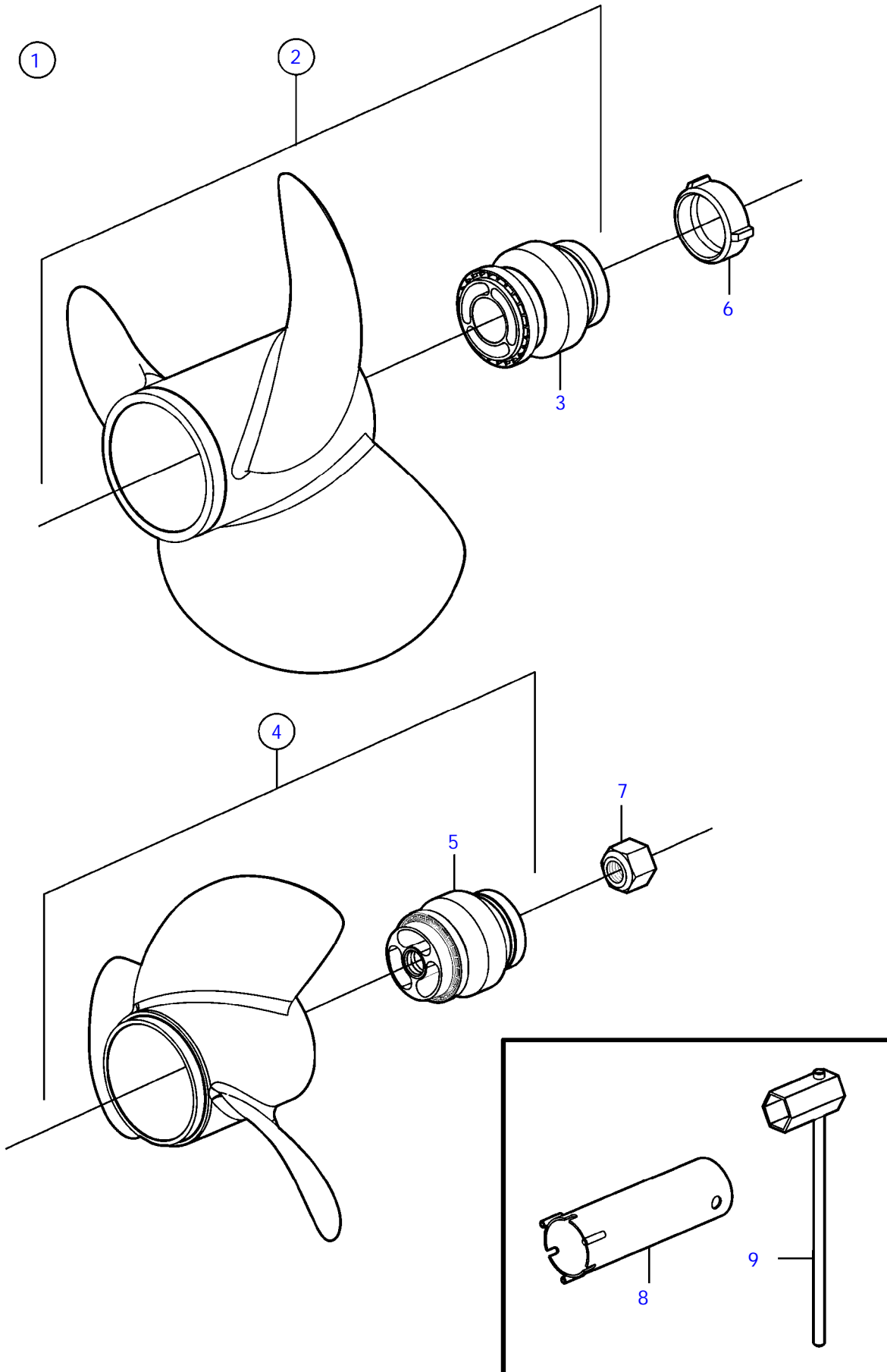


18889

DP-SM 1.68, DP-SM 1.78, DP-SM 1.95, DP-SM 2.32, DP-SMTD 1.95, DP-SMTD1 1.95, DP-SMTD3 2.11

REF	PART NO.	QTY	DESCRIPTION	SEE SEC.	NOTES
1	3807959	1	Kit, set		X2
			• Bulletin P-44-7-1	P-44-7-1-EN	Duoprop Propellers
1	3807958	1	Kit, set		X3
	3807957	1	Kit, set		X4
	3807956	1	Kit, set		X5
	3807955	1	Kit, set		X6
	3807954	1	Kit, set		X7
	3807953	1	Kit, set		X8
	3807952	1	Kit, set		X9
2	888654	1	• Propeller, front		OBSOLETE PART, X2
	3807949	1	• Propeller, front		OBSOLETE PART, X3
	3807945	1	• Propeller, front		OBSOLETE PART, X4
	3807941	1	• Propeller, front		OBSOLETE PART, X5
	3807937	1	• Propeller, front		OBSOLETE PART, X6
	3807932	1	• Propeller, front		OBSOLETE PART, X7
	3861623	1	• Propeller, front		X8
	889562	1	• Propeller, front		OBSOLETE PART, X9
3		1	• • Propeller hub, front		
4	888651	3	• • Propeller blade		OBSOLETE PART, X2
	3861590	3	• • Blade		X3
	3861592	3	• • Blade		X4
	3861594	3	• • Blade		X5
	3861596	3	• • Blade		X6
	3861598	3	• • Blade		X7
	3861600	3	• • Propeller		X8
	889557	3	• • Propeller blade		OBSOLETE PART, X9
5	3861604	1	• • Cardboard tube, front		OBSOLETE PART
6	3861794	1	• Propeller nut, front		
7	888655	1	• Propeller, rear		OBSOLETE PART, X2
	3861614	1	• Propeller, rear		X3
	3807946	1	• Propeller, rear		OBSOLETE PART, X4
	3807942	1	• Propeller, rear		OBSOLETE PART, X5
	3807938	1	• Propeller, rear		OBSOLETE PART, X6
	3807933	1	• Propeller, rear		OBSOLETE PART, X7
	3861624	1	• Propeller, rear		X8
	889564	1	• Propeller, rear		OBSOLETE PART, X9
8		1	• • Propeller hub, rear		
9	888652	3	• • Propeller blade		OBSOLETE PART, X2
	3861591	3	• • Blade		X3
	3861593	3	• • Blade		X4
	3861595	3	• • Propeller		X5
	3861597	3	• • Blade		X6
	3861599	3	• • Blade		X7
	3861601	3	• • Blade		X8
	889559	3	• • Propeller blade		OBSOLETE PART, X9
10	3861605	1	• • Cardboard tube, rear		OBSOLETE PART
11	3851341	1	Propeller nut, rear		
12	3862797	1	Tool, front		
13	3862808	1	Tool, rear		

DP-SM 1.68, DP-SM 1.78, DP-SM 1.95, DP-SM 2.32, DP-SMTD 1.95, DP-SMTD1 1.95, DP-SMTD3 2.11



18080

Upd:2010-08-03

18080

7746010-44-4619



DP-SM 1.68, DP-SM 1.78, DP-SM 1.95, DP-SM 2.32, DP-SMTD 1.95, DP-SMTD1 1.95, DP-SMTD3 2.11

REF	PART NO.	QTY	DESCRIPTION	SEE SEC.	NOTES
1	3851480	1	Propeller, aluminum		SET, D0
			• Bulletin P-44-7-1	P-44-7-1-EN	Duoprop Propellers
1	3851481	1	Propeller, aluminum		SET, D1
	3851482	1	Propeller, aluminum		SET, D2
	3851483	1	Propeller, aluminum		SET, D3
	3851484	1	Propeller, aluminum		SET, D4
	3856365	1	Propeller, aluminum		SET, D5
	3856366	1	Propeller, aluminum		SET, D6
	3856367	1	Propeller, aluminum		SET, D7
	3857563	1	Propeller, stainless steel		SET, F2
	3857564	1	Propeller, stainless steel		SET, F3
	3851494	1	Propeller, stainless steel		SET, F4
	3851495	1	Propeller, stainless steel		SET, F5
	3851496	1	Propeller, stainless steel		SET, F6
	3851497	1	Propeller, stainless steel		SET, F7
	3851498	1	Propeller, stainless steel		SET, F8
	3851499	1	Propeller, stainless steel		SET, F9
2	3851420	1	• Propeller, aluminum		FRONT, D0
	3851421	1	• Propeller, aluminum		FRONT, D1
	3851422	1	• Propeller, aluminum		FRONT, D2
	3851423	1	• Propeller, aluminum		FRONT, D3
	3851424	1	• Propeller, aluminum		FRONT, D4
	3856345	1	• Propeller, aluminum		FRONT, D5
	3856346	1	• Propeller, aluminum		FRONT, D6
	3856347	1	• Propeller, aluminum		FRONT, D7
	3857557	1	• Propeller, stainless steel		FRONT, F2
	3857559	1	• Propeller, stainless steel		FRONT, F3
	3851464	1	• Propeller, stainless steel		FRONT, F4
	3851465	1	• Propeller, stainless steel		FRONT, F5
	3851466	1	• Propeller, stainless steel		FRONT, F6
	3851467	1	• Propeller, stainless steel		FRONT, F7
	3851468	1	• Propeller, stainless steel		FRONT, F8
	3851469	1	• Propeller, stainless steel		FRONT, F9
3	3851258	1	• • Bushing, front		
4	3851440	1	• Propeller, aluminum		REAR, D0
	3851441	1	• Propeller, aluminum		REAR, D1
	3851442	1	• Propeller, aluminum		REAR, D2
	3851443	1	• Propeller, aluminum		REAR, D3
	3851444	1	• Propeller, aluminum		REAR, D4
	3856355	1	• Propeller, aluminum		REAR, D5
	3856356	1	• Propeller, aluminum		REAR, D6
	3856357	1	• Propeller, aluminum		REAR, D7
	3857558	1	• Propeller, stainless steel		REAR, F2
	3857560	1	• Propeller, stainless steel		REAR, F3
	3851474	1	• Propeller, stainless steel		REAR, F4
	3851475	1	• Propeller, stainless steel		REAR, F5
	3851476	1	• Propeller, stainless steel		REAR, F6
	3851477	1	• Propeller, stainless steel		REAR, F7
	3851478	1	• Propeller, stainless steel		REAR, F8
	3851479	1	• Propeller, stainless steel		REAR, F9
5	3851259	1	• • Bushing, rear		
6	3851569	1	Propeller nut, front		
7	3851341	1	Propeller nut, rear		
8	3862797	1	Tool, front		
9	3862808	1	Tool, rear		

DP-SM 1.68, DP-SM 1.78, DP-SM 1.95, DP-SM 2.32, DP-SMTD 1.95, DP-SMTD1 1.95, DP-SMTD3 2.11

REF	PART NO.	QTY	DESCRIPTION	NOTES
1	3850594	1	Kit	Upper Gear Housing
	853868	1	• Sealing ring	
	925093	1	• O-ring	
	967344	1	• O-ring	
	967344	1	• O-ring	
	3852045	1	• O-ring	
	3852052	3	• Split pin	
	3852105	1	• Washer	
	3852272	1	• Sealing	
	3852279	1	• Gasket	
	3852315	1	• Sealing	
	3852317	1	• Gasket	
	3852560	1	• Sealing	
	3852565	2	• O-ring	
	3855081	1	• O-ring	
2	3856002	1	Sealing kit	Lower Gear Unit
	851407	2	• Sealing ring	
	853871	2	• Sealing ring	
	946438	2	• O-ring	
	955981	1	• O-ring	
	3852315	1	• Sealing	
	3852866	1	• O-ring	
	3852959	1	• O-ring	
	3854595	1	• Sealing	
	3854624	1	• O-ring	
	3854625	2	• O-ring	

--

DESCRIPTION	SEE SEC.	NOTES
Maintenance Parts, SX-M, DP-SM	36060	DP-SM



<b>DESCRIPTION</b>	<b>SEE SEC.</b>	<b>NOTES</b>
Drive Unit, complete	21686	DP-SM 1.68, DP-SM 1.78, DP-SM 1.95, DP-SM 2.32, DP-SMTD 1.95, DP-SMTD1 1.95, DP-SMTD3 2.11
Upper Gearhousing	6240	DP-SM 2.32
Upper Gearhousing	7925	DP-SM 1.68, DP-SM 1.78, DP-SM 1.95, DP-SMTD 1.95, DP-SMTD1 1.95
Upper Gearhousing	7926	DP-SMTD3 2.11
Bearing Carrier and U-joint, Rockwell	35214	DP-SM 1.68, DP-SM 1.78, DP-SM 1.95
Bearing Carrier and U-joint, Rockwell	35211	DP-SM 2.32
Bearing Carrier and U-joint, GKN	6229	DP-SM 2.32, DP-SMTD3 2.11
Bearing Carrier and U-joint, GKN	7928	DP-SM 1.68, DP-SM 1.78, DP-SM 1.95, DP-SMTD 1.95, DP-SMTD1 1.95
Upper Vertical Shaft	6230	DP-SM 2.32, DP-SMTD3 2.11
Upper Vertical Shaft	7931	DP-SM 1.68, DP-SM 1.78, DP-SM 1.95, DP-SMTD 1.95, DP-SMTD1 1.95
Lower Gearhousing	6242	DP-SM 1.68, DP-SM 1.78, DP-SM 1.95, DP-SM 2.32, DP-SMTD 1.95, DP-SMTD1 1.95, DP-SMTD3 2.11
Lower Vertical Shaft	6231	DP-SM 1.68, DP-SM 1.78, DP-SM 1.95, DP-SM 2.32, DP-SMTD 1.95, DP-SMTD1 1.95, DP-SMTD3 2.11
Propeller Shaft and Bearing Housing	6244	DP-SM 1.68, DP-SM 1.78, DP-SM 1.95, DP-SM 2.32, DP-SMTD 1.95, DP-SMTD1 1.95, DP-SMTD3 2.11
Shift Mechanism	6255	DP-SM 1.68, DP-SM 1.78, DP-SM 1.95, DP-SM 2.32, DP-SMTD 1.95, DP-SMTD1 1.95, DP-SMTD3 2.11
Extension Kit 1"	6246	DP-SM 1.68, DP-SM 1.78, DP-SM 1.95, DP-SM 2.32, DP-SMTD 1.95, DP-SMTD1 1.95, DP-SMTD3 2.11
X Series Propeller	5512	DP-SM 1.68, DP-SM 1.78, DP-SM 1.95, DP-SM 2.32, DP-SMTD 1.95, DP-SMTD1 1.95, DP-SMTD3 2.11
Duoprop Propeller	4619	DP-SM 1.68, DP-SM 1.78, DP-SM 1.95, DP-SM 2.32, DP-SMTD 1.95, DP-SMTD1 1.95, DP-SMTD3 2.11

--

DESCRIPTION	SEE SEC.	NOTES
Repair Kits	8985	DP-SM 1.68, DP-SM 1.78, DP-SM 1.95, DP-SM 2.32, DP-SMTD 1.95, DP-SMTD1 1.95, DP-SMTD3 2.11





