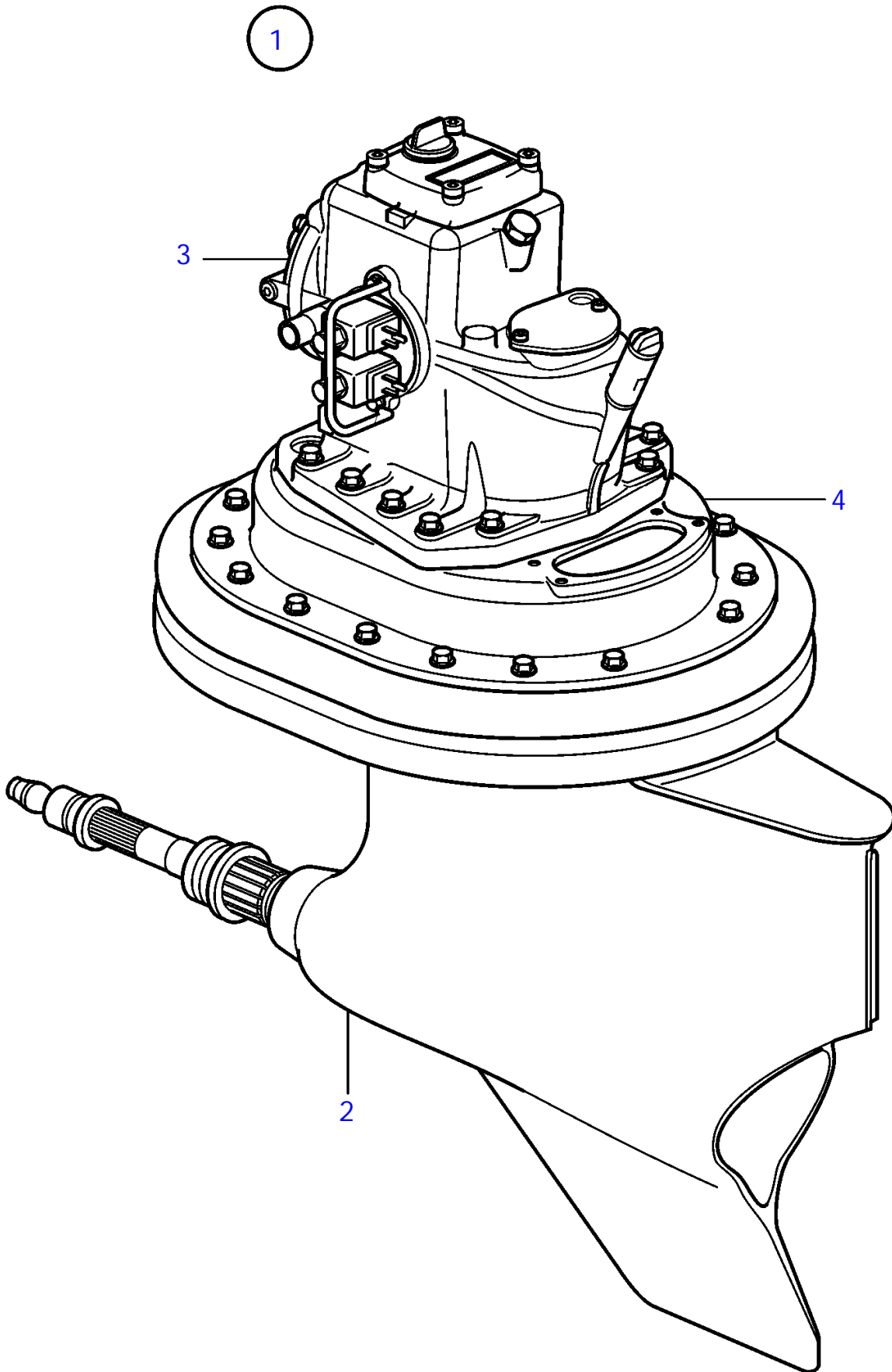


IPS-A



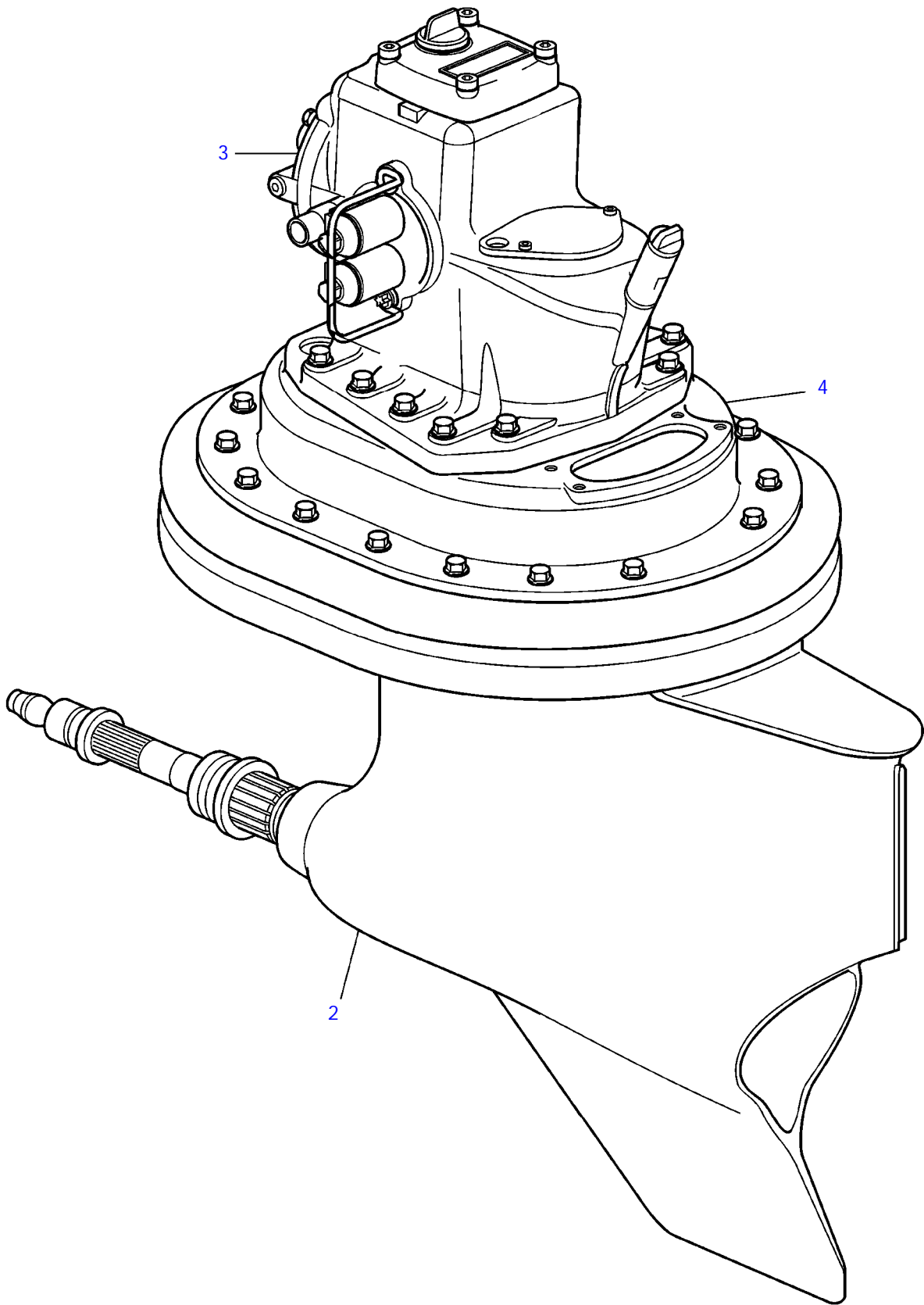
22785

IPS-A

REF	PART NO.	QTY	DESCRIPTION	SEE SEC.	NOTES
1	3803836	1	Inboard drive, exch		Ratio 1.94:1, Software downloaded with Vodia.
2	3803835	1	• Lower gear, exch		
			• •		
			•	35948	
3	3803834	1	• Upper gear, exch		
			• •		
			•	7379	
			• •		
			•	7323	
4		1	• Intermediate housing		
			• •		
			•	7249	

IPS-B

1



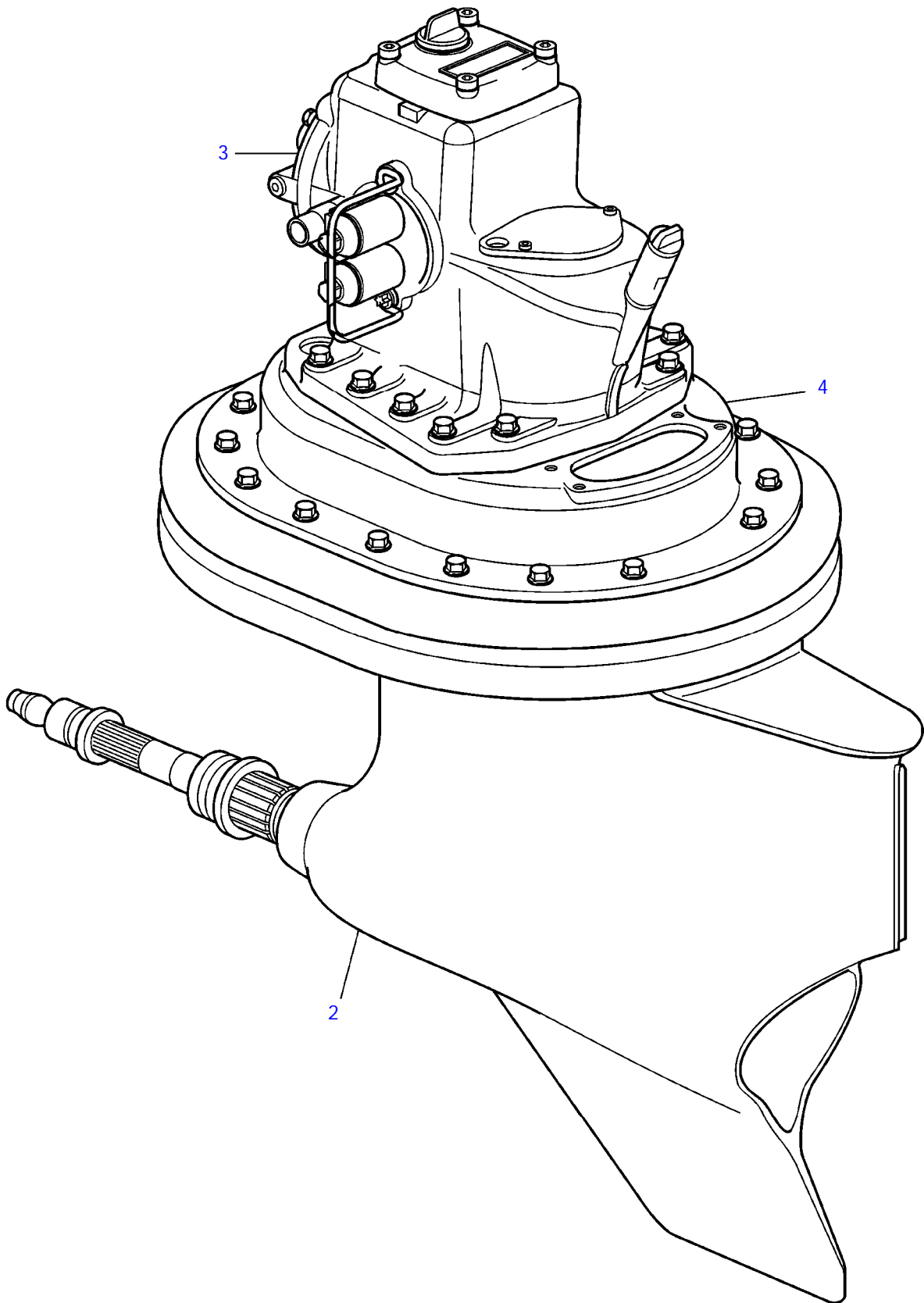
23528

IPS-B

REF	PART NO.	QTY	DESCRIPTION	SEE SEC.	NOTES
1	3801107	1	Inboard drive, exch		Ratio 1.82:1, Software downloaded with Vodia.
	3801106	1	Inboard drive, exch		Ratio 1.94:1, Software downloaded with Vodia.
	3801108	1	Inboard drive, exch		Ratio 2.08:1, Software downloaded with Vodia.
	(3801249)	1	Inboard drive, exch		Obsolete part, Ratio 2.40:1, Software downloaded with Vodia.
2	3803835	1	• Lower gear, exch		Ratio 1.94:1, Ratio 2.08:1, (19/32)
	3801112	1	• Lower gear, exch		Ratio 1.82:1, (19/30)
	3801250	1	• Lower gear, exch		Ratio 2.40:1
			•		
			•	35949	
3	3801109	1	• Upper gear, exch		Ratio 1.82:1, Ratio 1.94:1, (20/23)
	3801110	1	• Upper gear, exch		Ratio 2.08:1, (21/26)
	3801272	1	• Upper gear, exch		Ratio 2.40:1
			•		
			•	21408	
			•		
			•	21410	
4		1	• Intermediate housing		
			•		
			•	7249	

IPS-C

1

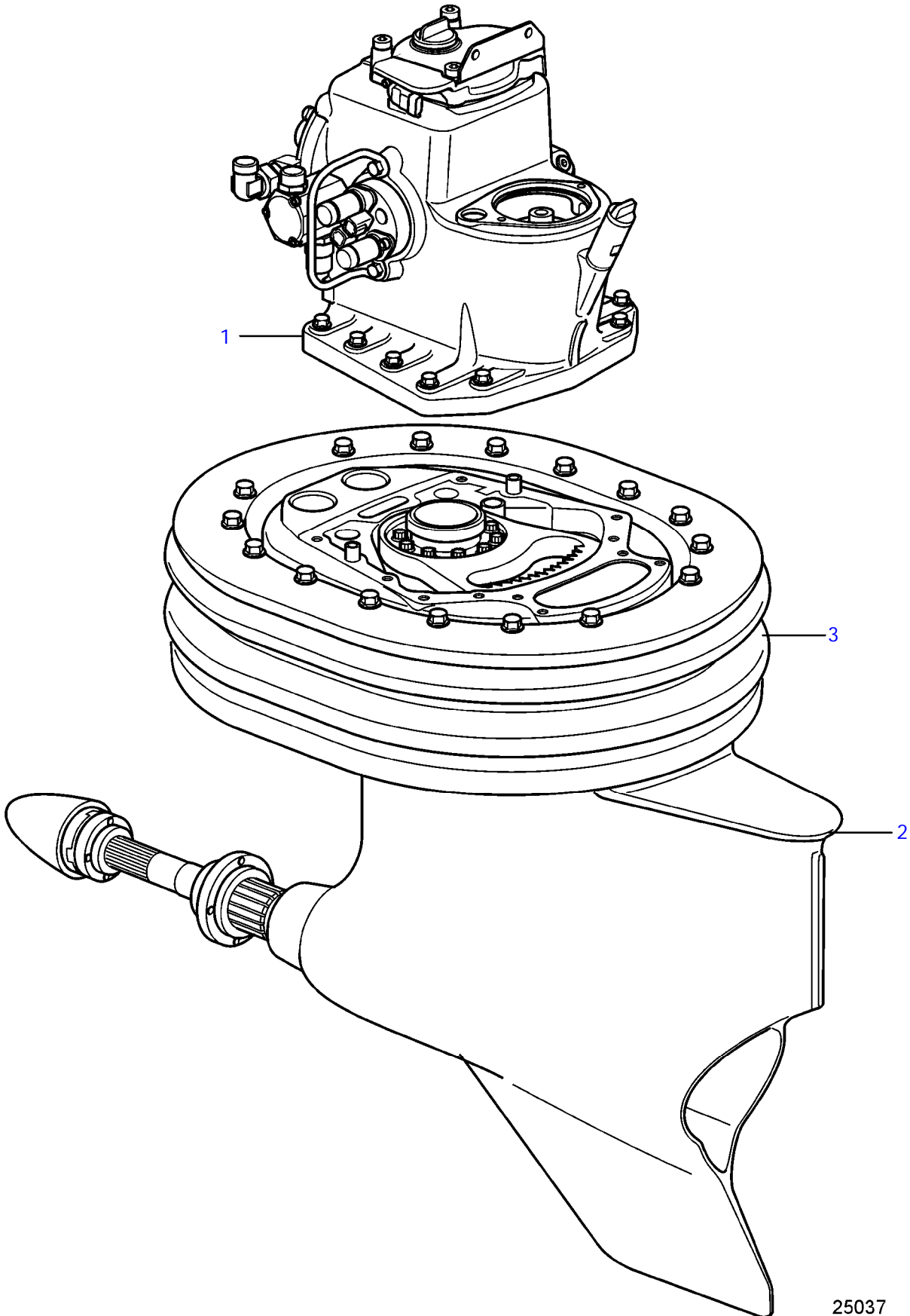


23528

IPS-C

REF	PART NO.	QTY	DESCRIPTION	SEE SEC.	NOTES
1	3801199	1	Inboard drive, exch		Ratio 1.82:1, SN-3194005811, Software downloaded with Vodia.
	(3801300)	1	Inboard drive, exch		Obsolete part, Ratio 1.82:1, SN3194005812-, Software downloaded with Vodia.
	3801200	1	Inboard drive, exch		Ratio 1.94:1, SN-3194005811, Software downloaded with Vodia.
	(3801299)	1	Inboard drive, exch		Obsolete part, Ratio 1.94:1, SN3194005812-, Software downloaded with Vodia.
	3801201	1	Inboard drive, exch		Ratio 2.08:1, SN-3194005811, Software downloaded with Vodia.
	(3801301)	1	Inboard drive, exch		Obsolete part, Ratio 2.08:1, SN3194005812-, Software downloaded with Vodia.
2	3801112	1	• Lower gear, exch		Ratio 1.82:1, SN-3194005811
	3801303	1	• Lower gear, exch		Ratio 1.82:1, SN3194005812-
	3803835	1	• Lower gear, exch		Ratio 1.94:1, Ratio 2.08:1, SN-3194005811
	3801302	1	• Lower gear, exch		Ratio 1.94:1, Ratio 2.08:1, SN3194005812-
			•		
			•	35950	
3	3801202	1	• Upper gear, exch		Ratio 1.82:1, Ratio 1.94:1, SN-3194005811
	3801304	1	• Upper gear, exch		Ratio 1.82:1, Ratio 1.94:1, SN3194005812-
	3801203	1	• Upper gear, exch		Ratio 2.08:1, SN-3194005811
	3801305	1	• Upper gear, exch		Ratio 2.08:1, SN3194005812-
			• •		
			•	21948	
			• •		
			•	21951	
4		1	• Intermediate housing		
			• •		
			•	7249	

IPS-D

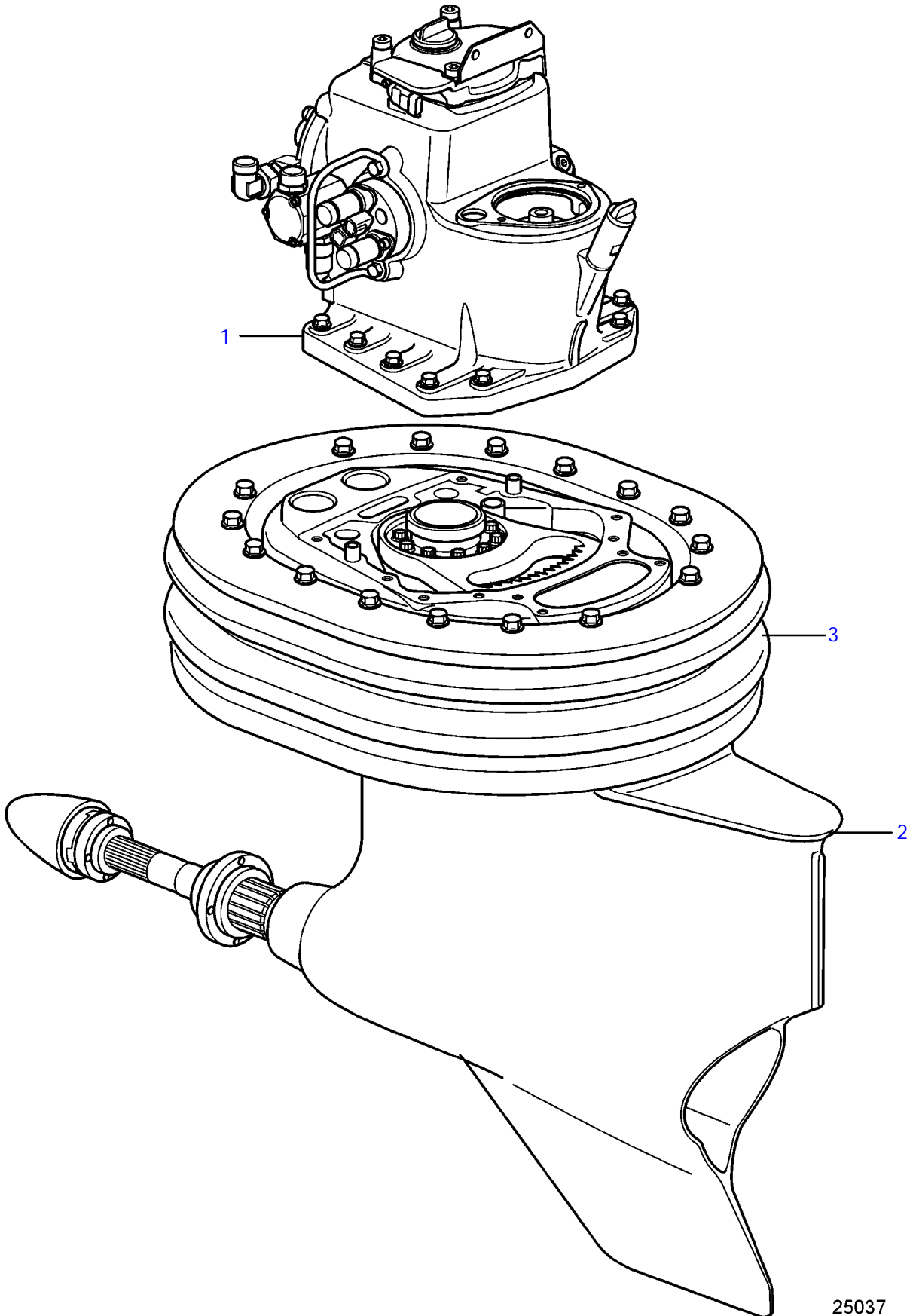


IPS-D

REF	PART NO.	QTY	DESCRIPTION	SEE SEC.	NOTES
1	3801399	1	Upper gear, exch		Ratio 1.82:1, Ratio 1.94:1, Software downloaded with Vodia.
	3801400	1	Upper gear, exch		Ratio 2.08:1, Ratio 2.40:1, Software downloaded with Vodia.
			•		
			•	35915	
			•		
			•	35921	
2	3801303	1	Lower gear, exch		Ratio 1.82:1
	3801302	1	Lower gear, exch		Ratio 1.94:1, Ratio 2.08:1
	3801322	1	Lower gear, exch		Ratio 2.40:1
			•		
			•	35951	
3		1	• Intermediate housing		
			•		
			•	7249	



IPS-E

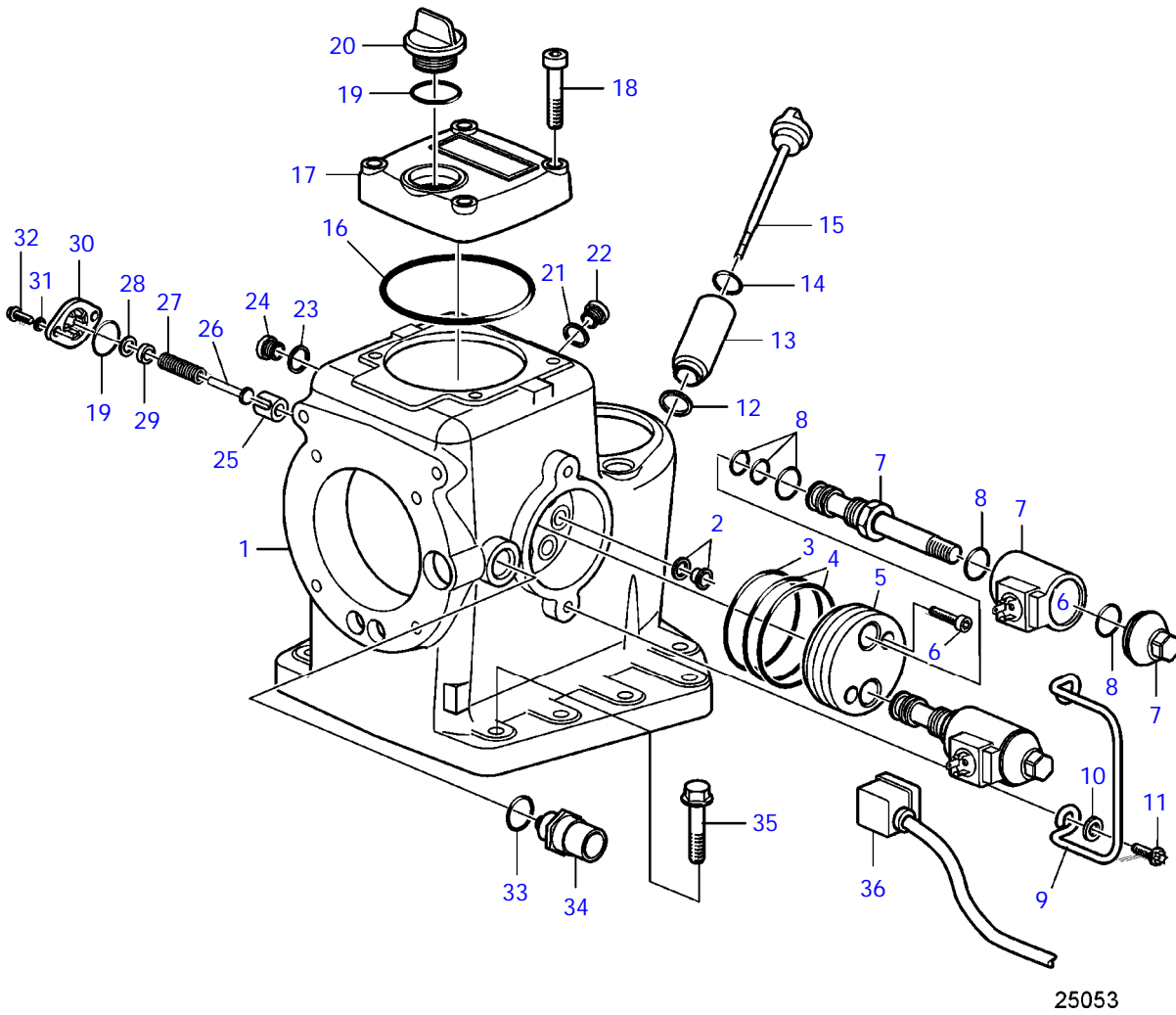


25037

IPS-E

REF	PART NO.	QTY	DESCRIPTION	SEE SEC.	NOTES
1	3801399	1	Upper gear, exch		Ratio 1.82:1, Ratio 1.94:1, Software downloaded with Vodia.
	3801400	1	Upper gear, exch		Ratio 2.08:1, Ratio 2.40:1, Software downloaded with Vodia.
			•		
			•	35915	
			•		
			•	35921	
2	3801303	1	Lower gear, exch		Ratio 1.82:1
	3801302	1	Lower gear, exch		Ratio 1.94:1, Ratio 2.08:1
	3801322	1	Lower gear, exch		Ratio 2.40:1
			•		
			•	36255	
3		1	• Intermediate housing		
			•		
			•	7249	

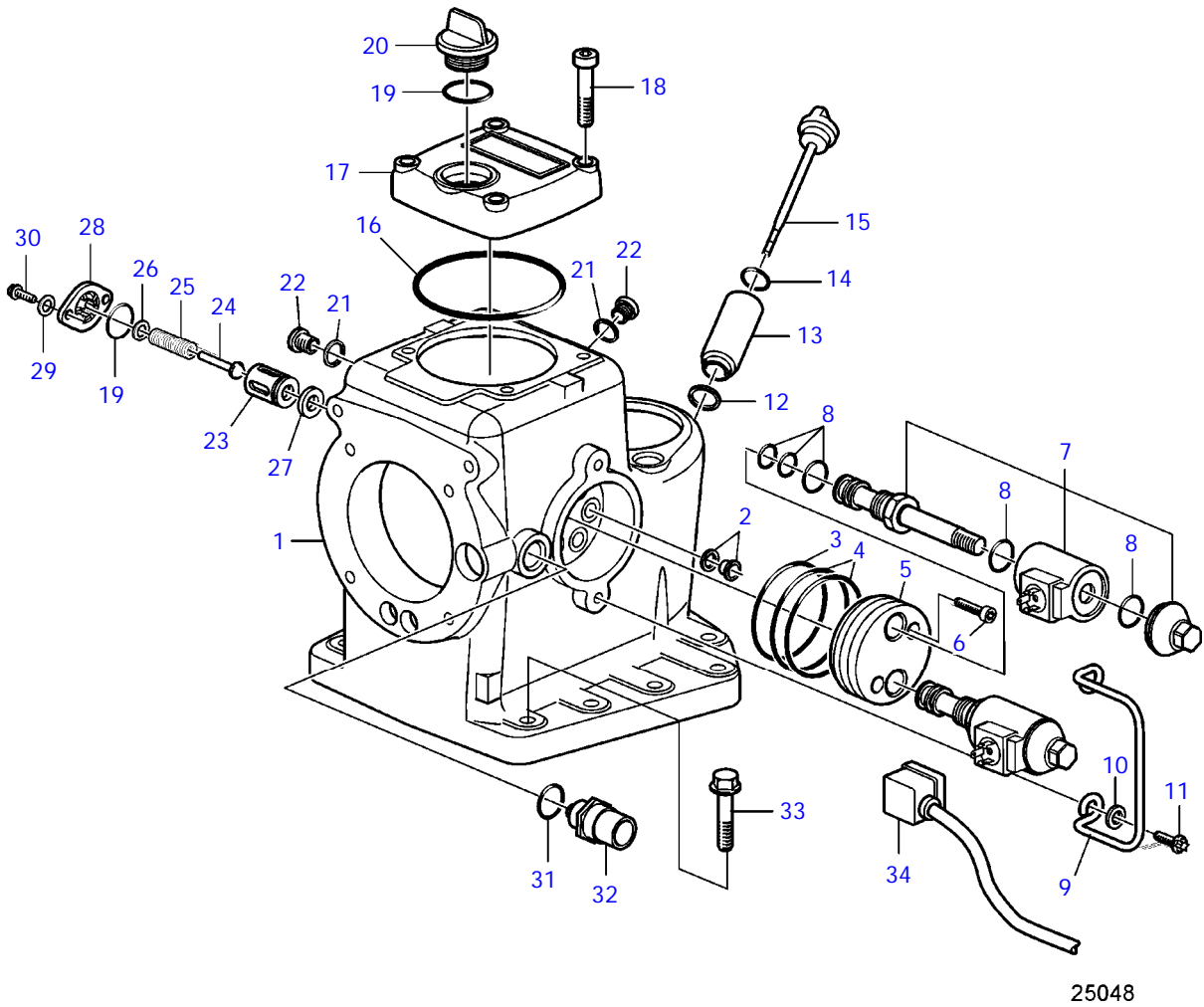
IPS-A



IPS-A

REF	PART NO.	QTY	DESCRIPTION	NOTES
1		1	Housing	Part not sold
2	422413	6	Sealing ring	
3	925255	1	O-ring	
4	925094	2	O-ring	
5	3861061	1	Valve housing	
6	959229	2	Hex. socket screw	L=60mm
7	3887470	1	Valve kit	12V
	3887471	1	Valve kit	24V
8	3883581	2	Sealing kit	Includes o-rings for solenoid
9	3861876	1	Protecting brace	
10	941670	2	Washer	
11	984697	2	Hexagon screw	
12	976109	1	O-ring	
13	3886533	1	Adapter	
14	949656	1	O-ring	
15	3858140	1	Dipstick	
16	925263	1	O-ring	
17	3861057	1	Cardboard tube	
18	984277	4	Hex. socket screw	L=50mm
19	949659	2	O-ring	
20	840559	1	Cover	
21	969011	1	Gasket	
22	966142	1	Plug	
23	969011	1	Gasket	
24	945065	1	Plug	
25	1542265	1	Valve seat	
26	3809890	1	Valve	
27	872585	1	Spring	
28	978917	5	Shim	TH=0,50mm
29	3883760	1	Spring seat	
30	471648	1	Cover	
31	940191	2	Washer	
32	946544	2	Flange screw	L=16mm
33	968559	1	O-ring	
34	874313	1	Sensor, oil pressure/temperature	
35	965186	10	Flange screw	
36	874619	2	Wiring harness	

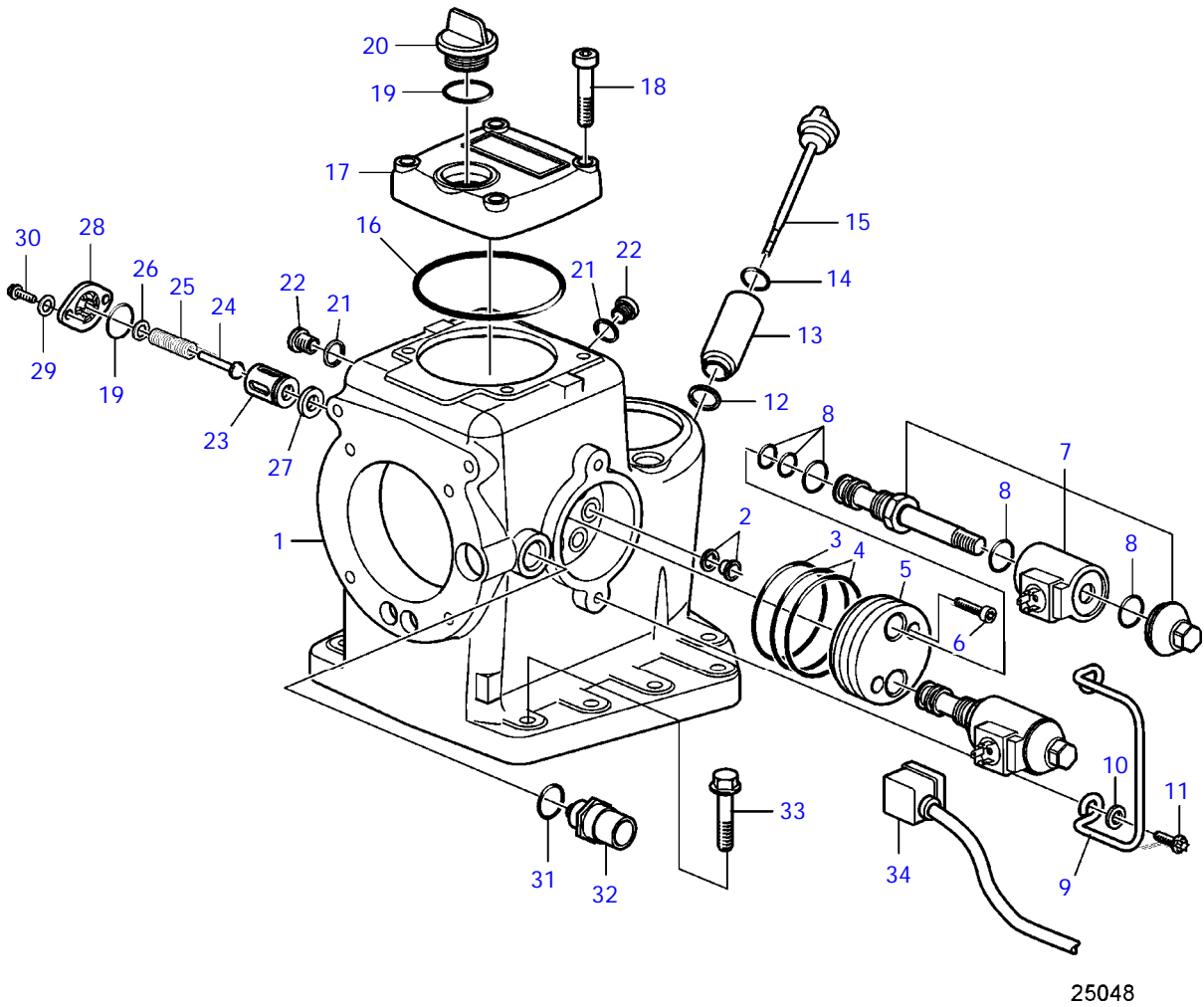
IPS-B



## IPS-B

REF	PART NO.	QTY	DESCRIPTION	NOTES
1		1	Housing	Part not sold
2	422413	6	Sealing ring	
3	925255	1	O-ring	
4	925094	2	O-ring	
5	3861061	1	Valve housing	
6	959229	2	Hex. socket screw	L=60mm
7	3887470	2	Valve kit, 12V	
	3887471	2	Valve kit, 24V	
8	3883581	2	Sealing kit	Includes o-rings for solenoid
9	3861876	1	Protecting brace	
10	941670	2	Washer	
11	984697	2	Hexagon screw	
12	976109	1	O-ring	
13	3886533	1	Adapter	
14	949656	1	O-ring	
15	3858140	1	Dipstick	
16	925263	1	O-ring	
17	3861057	1	Cardboard tube	
18	984277	4	Hex. socket screw	L=50mm
19	949659	2	O-ring	
20	840559	1	Cover	
21	969011	1	Gasket	
22	945065	1	Plug	
23	3883760	1	Spring seat	
24	3809890	1	Valve	
25	872585	1	Spring	
26	978917	5	Shim	TH=0,50mm
27	976023	1	O-ring	
28	471648	1	Cover	
29	940191	2	Washer	
30	946544	2	Flange screw	L=16mm
31	968559	1	O-ring	
32	874313	1	Sensor, oil pressure/temperature	
33	965186	10	Flange screw	
34	874619	1	Wiring harness	

IPS-C

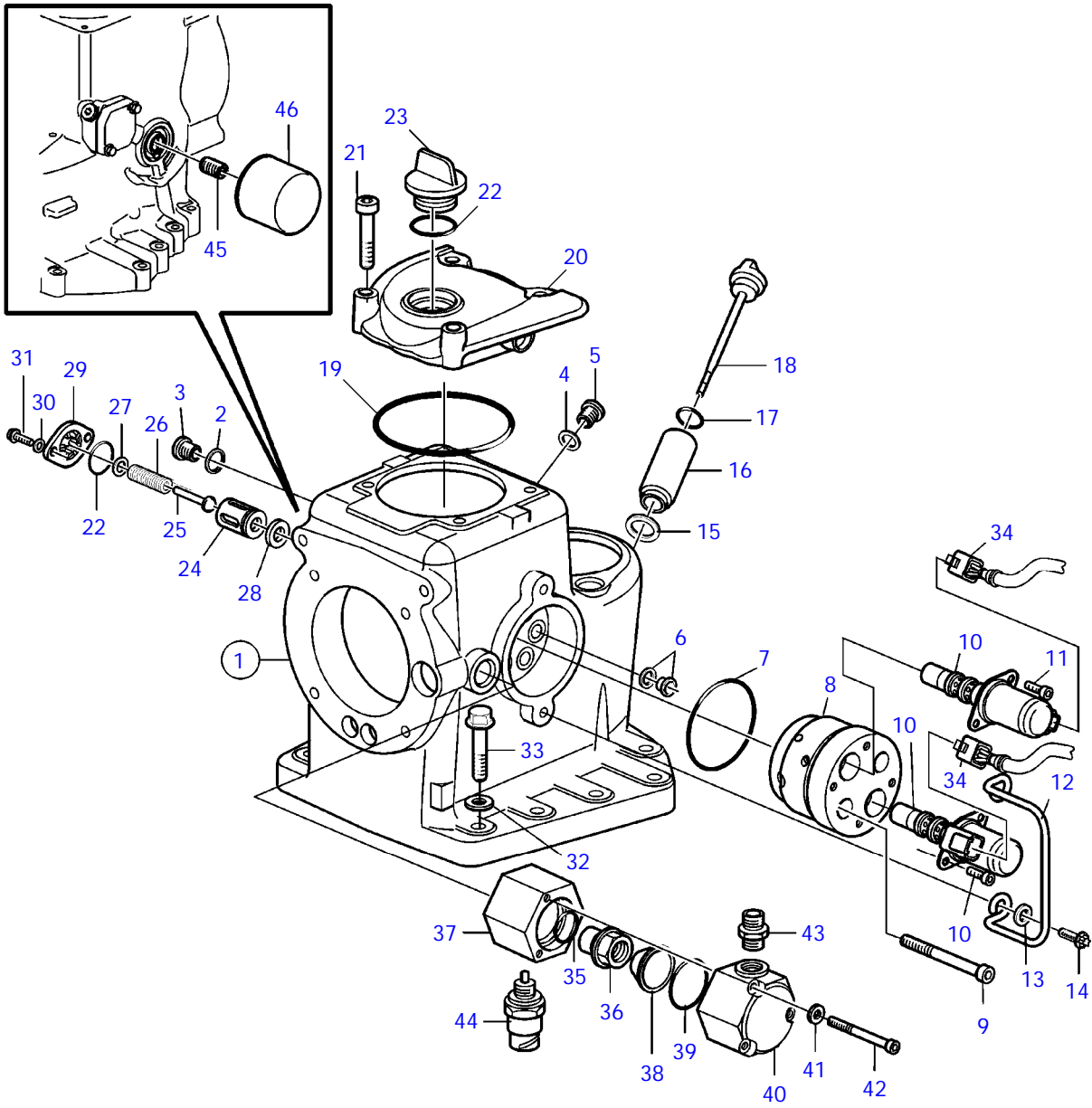


**IPS-C**

REF	PART NO.	QTY	DESCRIPTION	NOTES
1		1	Housing	Part not sold
2	422413	6	Sealing ring	
3	925255	1	O-ring	
4	925094	2	O-ring	
5	3861061	1	Valve housing	
6	959229	2	Hex. socket screw	L=60mm
7	3887470	2	Valve kit, 12V	
	3887471	2	Valve kit, 24V	
8	3883581	2	Sealing kit	Includes o-rings for solenoid
9	3861876	1	Protecting brace	
10	941670	2	Washer	
11	984697	2	Hexagon screw	
12	976109	1	O-ring	
13	3886533	1	Adapter	
14	949656	1	O-ring	
15	3858140	1	Dipstick	
16	925263	1	O-ring	
17	3861057	1	Cardboard tube	
18	984277	4	Hex. socket screw	L=50mm
19	949659	2	O-ring	
20	840559	1	Cover	
21	969011	1	Gasket	
22	945065	1	Plug	
23	3883760	1	Spring seat	
24	3809890	1	Valve	
25	872585	1	Spring	
26	978917	5	Shim	TH=0,50mm
27	976023	1	O-ring	
28	471648	1	Cover	
29	940191	2	Washer	
30	946544	2	Flange screw	L=16mm
31	968559	1	O-ring	
32	874313	1	Sensor, oil pressure/temperature	
33	965186	10	Flange screw	
34	874619	2	Wiring harness	EVC-C
	21186592	2	Wiring harness	EVC-C2, Diesel
	21196573	2	Wiring harness	EVC-C2, Diesel, Jackshaft
		1	Wiring harness	Gas



IPS-D, IPS-E

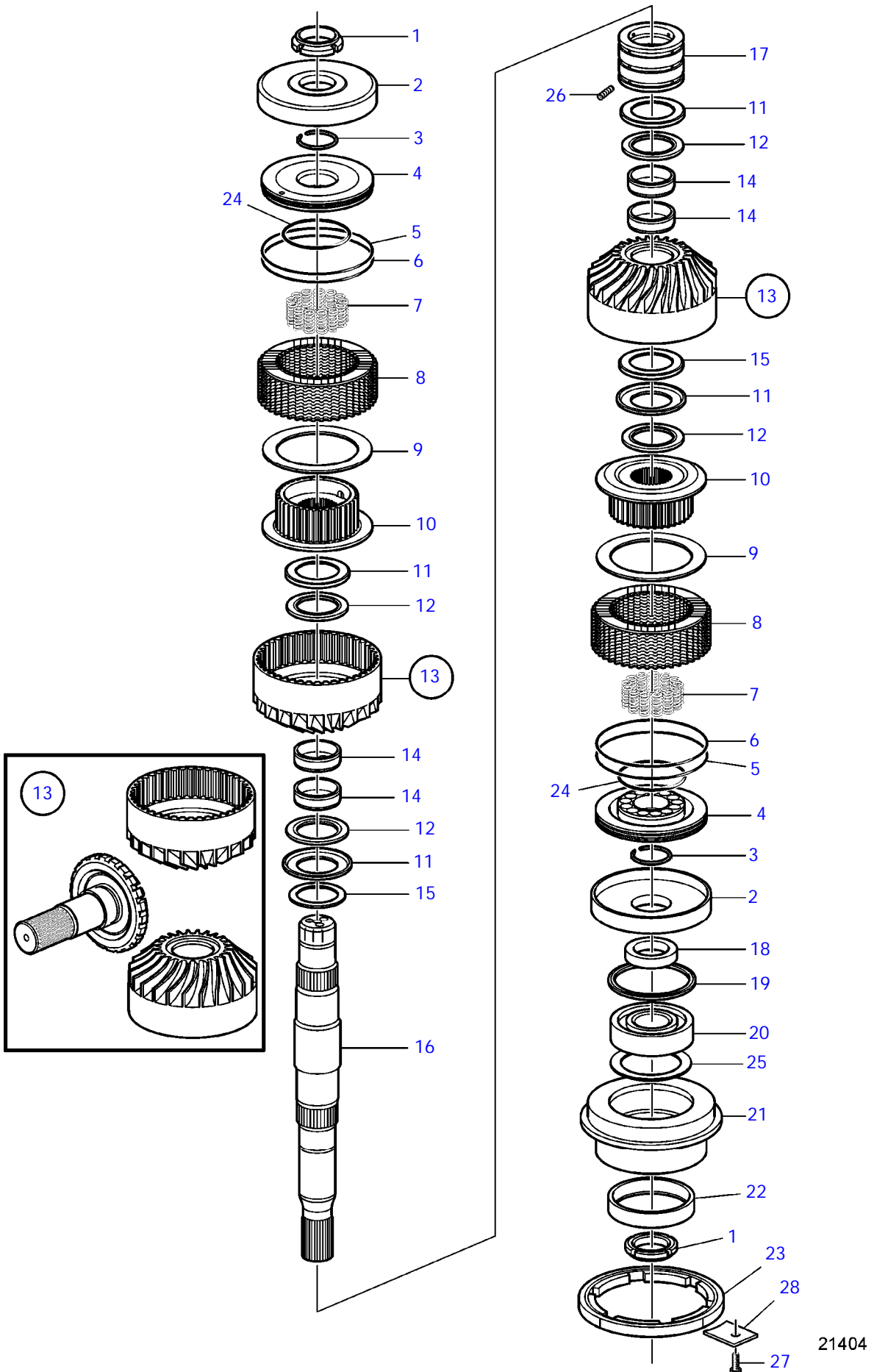


25665

IPS-D, IPS-E

REF	PART NO.	QTY	DESCRIPTION	NOTES
1	21269935	1	Housing	Part not sold
2	969011	1	• Gasket	
3	945065	1	• Plug	
4	947282	1	• Gasket	
5	966142	1	• Plug	
6	422413	6	Sealing ring	
7	925094	1	O-ring	
8	21260636	1	Valve housing	
9	963703	2	Hex. socket screw	Obsolete part
10	11418522	2	Valve	12/24V
11	959229	4	Hex. socket screw	L=60mm
12	3861876	1	Protecting brace	
13	941670	2	Washer	
14	984697	2	Hexagon screw	
15	976109	1	O-ring	
16	3886533	1	Adapter	
17	949656	1	O-ring	
18	3858140	1	Dipstick	
19	925263	1	O-ring	
20	21169140	1	Cover	
21	984277	4	Hex. socket screw	L=50mm
22	949659	2	O-ring	
23	840559	1	Cover	
24	3883760	1	Spring seat	
25	471085	1	Valve cone	
26	872585	1	Spring	
27	978917	5	Shim	TH=0,50mm
28	976023	1	O-ring	
29	21269896	1	Cover	
30	940191	2	Washer	
31	984551	2	Hexagon screw	L=16mm
32	942551	10	Washer	
33	965186	10	Flange screw	
34	874619	1	Wiring harness	EVC-C
	21186592	1	Wiring harness	EVC-C2, Diesel
	21196573	1	Wiring harness	EVC-C2, Diesel, Jackshaft
	(21159044)	1	Wiring harness	Obsolete part, L=9000mm
	21493361	1	Wiring harness	L=1300mm
	21493366	1	Wiring harness	L=1700mm
	21493367	1	Wiring harness	L=2200mm
	21493368	1	Wiring harness	L=2600mm
	21493369	1	Wiring harness	L=3100mm
	21493370	1	Wiring harness	L=3500mm
	3593778	1	Wiring harness	Gas
35	949656	1	O-ring	
36	21412920	1	Plug	
37	21412912	1	Adapter	
38	3886794	1	Strainer	
39	949659	1	O-ring	
40	21412916	1	Cover	
41	940275	3	Washer	
42	963681	3	Hex. socket screw	
43	994509	1	Nipple	
44	874313	1	Sensor	
45	840274	1	Nipple	
46	834337	1	Oil filter	

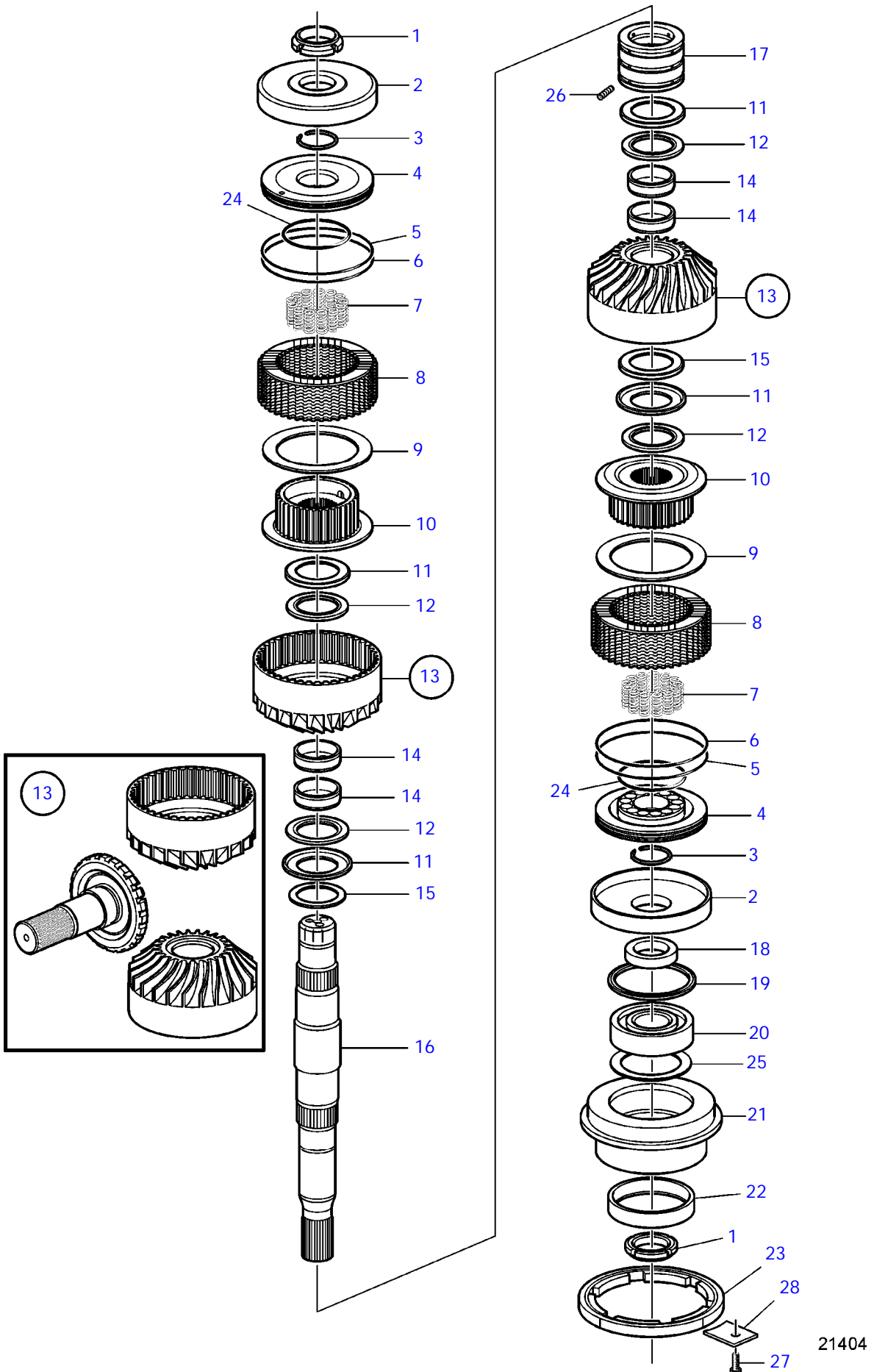
IPS-A



IPS-A

REF	PART NO.	QTY	DESCRIPTION	NOTES
1	969073	2	Round nut	
2	872611	2	Cylinder	
3	872522	2	Lock ring	
4	3861194	2	Piston	
5	872563	2	Piston ring	
6	872565	2	O-ring	Included in piston ring kit 3812359.
7	872580	X	Spring	
8	3841460	2	Disc kit	
9	872794	2	Disc spring	
10	3861188	2	Hub	
11	872570	4	Thrust washer	
12	184175	4	Needle roller assemb	
13	3840695	1	Gear set	
14	184798	4	Needle roller assemb	
15	872581	2	Spring washer	
16	3595153	1	Shaft	
17	3861216	1	Bearing	
18	3861196	1	Spacer	
19	3861877	1	Lock ring	
20	11025	1	Ball bearing	
21	3595172	1	Bearing housing	
22	3861820	1	Bearing	
23	3862453	1	Tensioning ring	
24	977891	2	O-ring	
25	983164	X	Shim	TH=0.10mm
	983165	X	Shim	TH=0.15mm
	983166	X	Shim	TH=0.35mm
26	962970	1	Set screw	
27	941792	1	Hex. socket screw	Use locking fluid.
28	3819176	1	Lock tab	

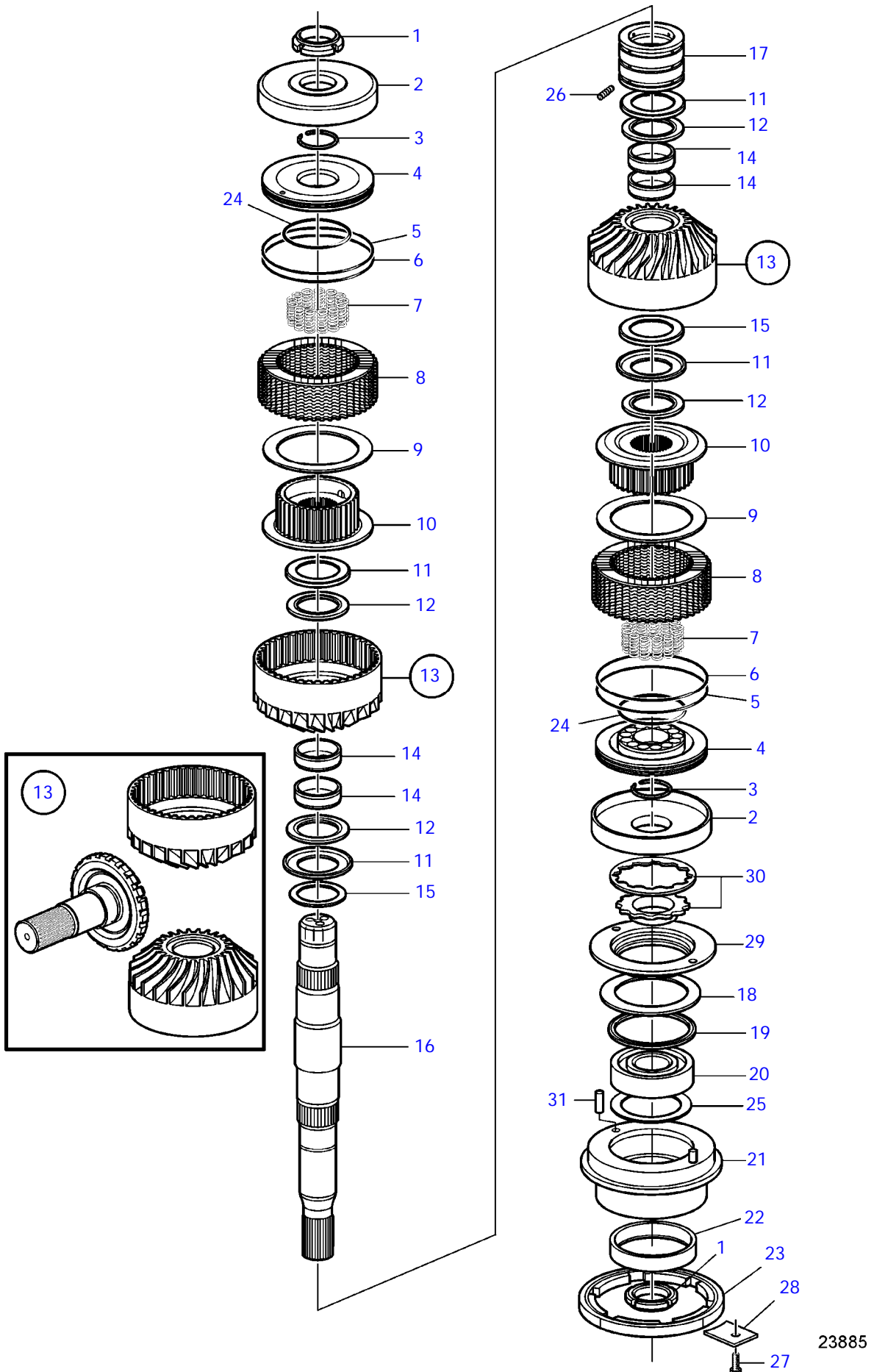
IPS-B



IPS-B

REF	PART NO.	QTY	DESCRIPTION	NOTES
1	969073	2	Round nut	
2	872611	2	Cylinder	
3	872522	2	Lock ring	
4	3861194	2	Piston	
5	872563	2	Piston ring	
6	872565	2	O-ring	Included in gasket kit., Included in piston ring kit 3812359.
7	872580	X	Spring	
8	3841460	2	Disc kit	
9	872794	2	Disc spring	
10	3861188	2	Hub	
11	872570	4	Thrust washer	
12	184175	4	Needle roller assemb	
13	3840695	1	Gear set	Ratio 1.94:1, Ratio 1.82:1
	3883417	1	Gear set	Ratio 2.08:1
14	184798	4	Needle roller assemb	
15	872581	2	Spring washer	
16	3595153	1	Shaft	
17	3842438	1	Bearing	
18	3861196	1	Spacer	
19	3861877	1	Lock ring	
20	11025	1	Ball bearing	
21	3595172	1	Bearing housing	
22	3861820	1	Bearing	
23	3862453	1	Tensioning ring	
24	977891	2	O-ring	
25	983164	X	Shim	TH=0.10mm
	983165	X	Shim	TH=0.15mm
	983166	X	Shim	TH=0.35mm
26	962970	1	Set screw	
27	941792	1	Hex. socket screw	Use locking fluid.
28	3819176	1	Lock tab	

IPS-C

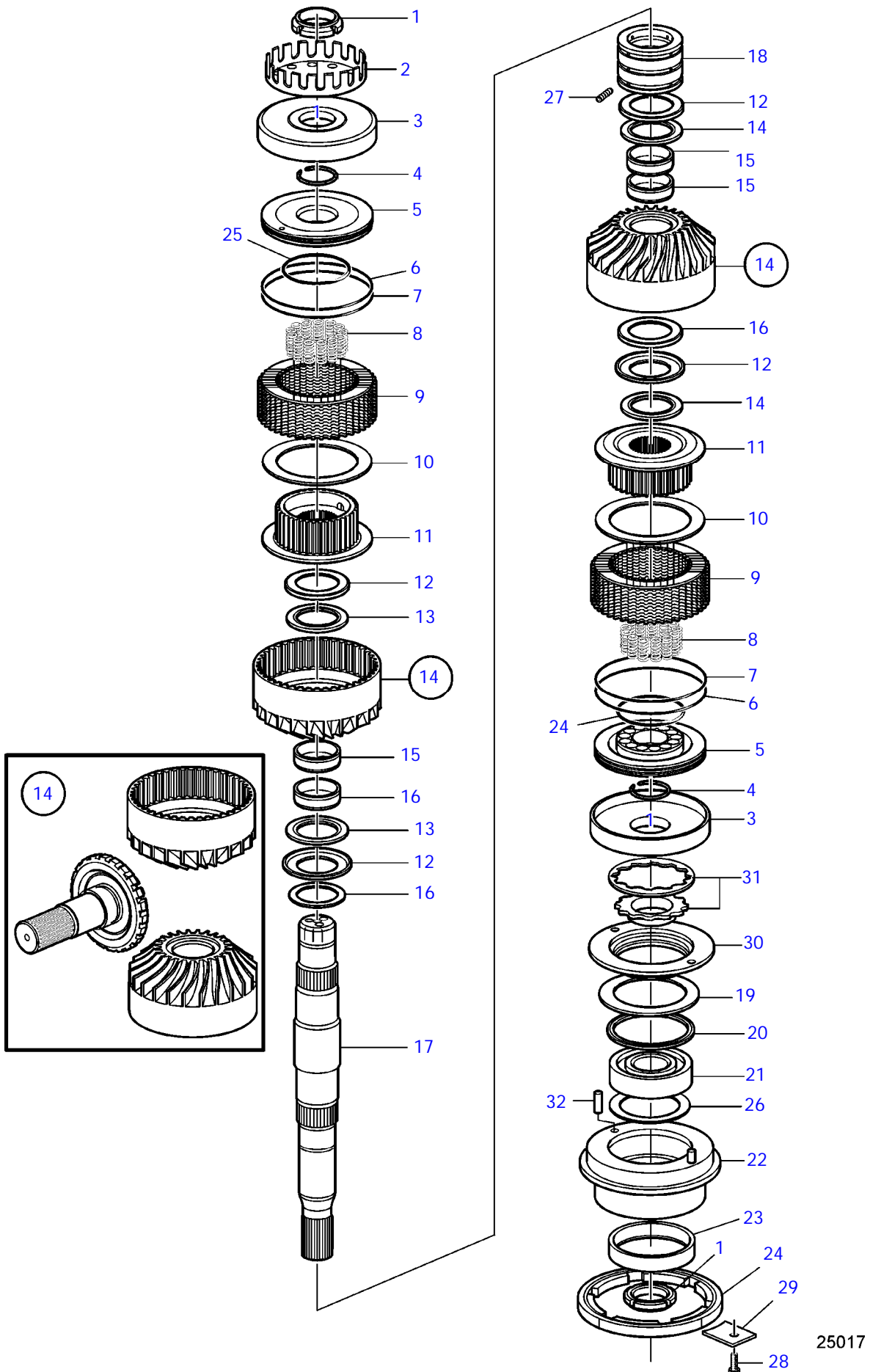


IPS-C

REF	PART NO.	QTY	DESCRIPTION	NOTES
1	969073	2	Round nut	
2	3594690	2	Cylinder	
3	872522	2	Lock ring	
4	3861194	2	Piston	
5	872563	2	Piston ring	
6	872565	2	O-ring	Included in gasket kit., Included in piston ring kit 3812359.
7	872580	X	Spring	
8	3841460	2	Disc kit	
9	872794	2	Disc spring	
10	3861188	2	Hub	
11	872570	4	Thrust washer	
12	184175	4	Needle roller assemb	
13	3840695	1	Gear set	Ratio 1.82:1, Ratio 1.94:1
	3883417	1	Gear set	Ratio 2.08:1
14	184798	4	Needle roller assemb	
15	872581	2	Spring washer	
16	3595153	1	Shaft	
17	3842438	1	Bearing	
18	3594688	1	Washer	
19	3861877	1	Lock ring	
20	11025	1	Ball bearing	
21	3595172	1	Bearing housing	
22	3861820	1	Bearing	
23	3862453	1	Tensioning ring	
24	977891	2	O-ring	
25	983164	X	Shim	TH=0.10mm
	983165	X	Shim	TH=0.15mm
	983166	X	Shim	TH=0.35mm
26	962970	1	Set screw	
27	941792	1	Hex. socket screw	Use locking fluid.
28	3819176	1	Lock tab	
29	3594684	1	Pump housing	
30	3594673	1	Pump	
31	(951963)	2	Spring pin	Obsolete part



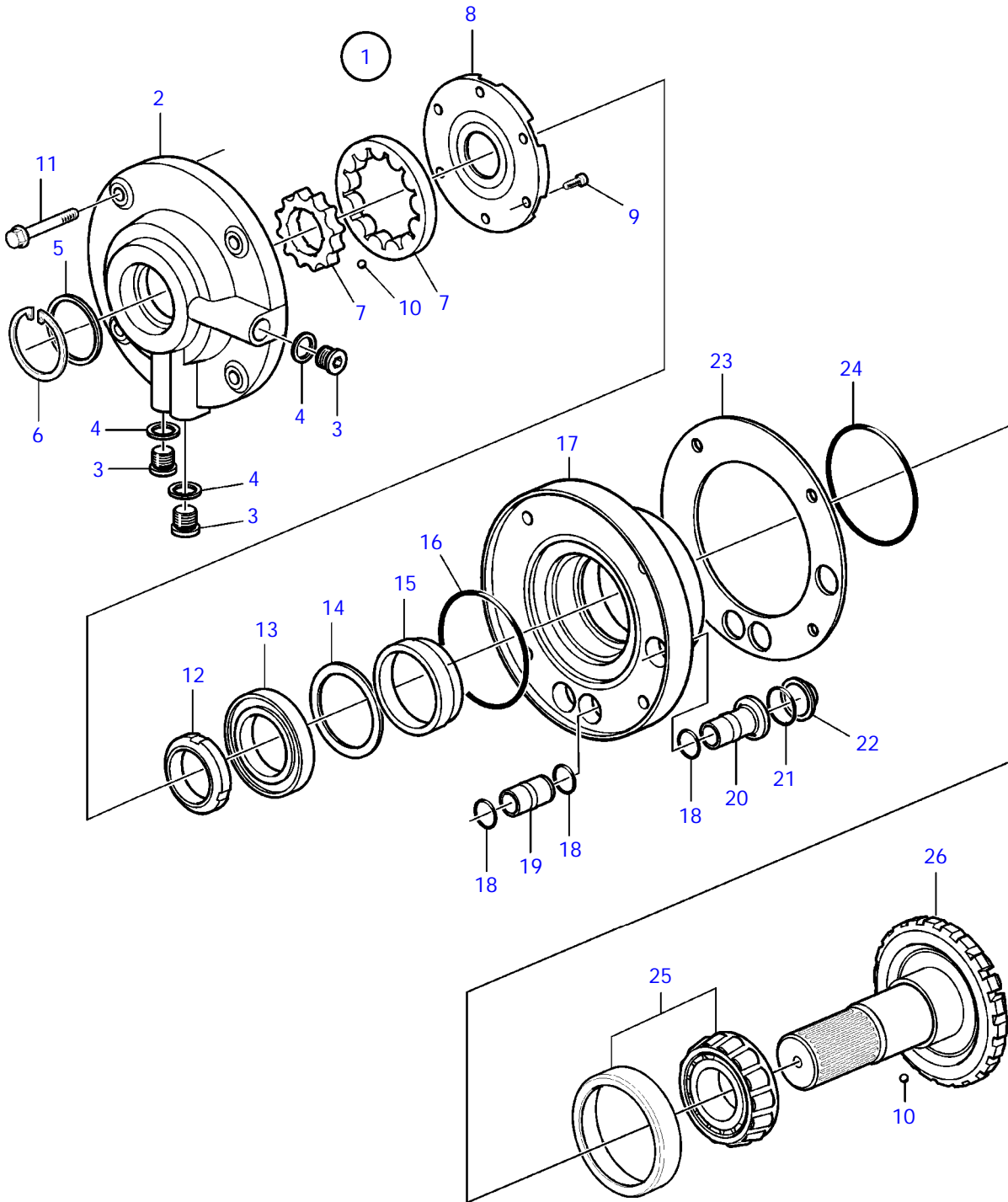
IPS-D, IPS-E



IPS-D, IPS-E

REF	PART NO.	QTY	DESCRIPTION	NOTES
1	969073	2	Round nut	
2	40005199	1	Gear	
3	3594690	2	Cylinder	
4	872522	2	Lock ring	
5	21412527	2	Piston	
6	872563	2	Piston ring	
7	872565	2	O-ring	Included in gasket kit., Included in piston ring kit 3812359.
8	872580	X	Spring	
9	21357719	2	Disc kit	
10	872794	2	Disc spring	
11	21122910	2	Hub	
12	872570	4	Thrust washer	
13	184175	4	Needle roller assemb	
14	3840695	1	Gear set	Ratio 1.82:1, Ratio 1.94:1
	3883417	1	Gear set	Ratio 2.08:1
15	184798	4	Needle roller assemb	
16	872581	2	Spring washer	
17	21181268	1	Shaft	
18	3842438	1	Bearing	
19	3594688	1	Washer	
20	3861877	1	Lock ring	
21	11025	1	Ball bearing	
22	3595172	1	Bearing housing	
23	3861820	1	Bearing	
24	3862453	1	Tensioning ring	
25	977891	2	O-ring	
26	983164	X	Shim	TH=0.10mm
	983165	X	Shim	TH=0.15mm
	983166	X	Shim	TH=0.35mm
27	962970	1	Set screw	
28	941792	1	Hex. socket screw	Use locking fluid.
29	3819176	1	Lock tab	
30	3594684	1	Pump housing	
31	3594673	1	Pump	
32	(951963)	2	Spring pin	Obsolete part, Out of production

IPS-A

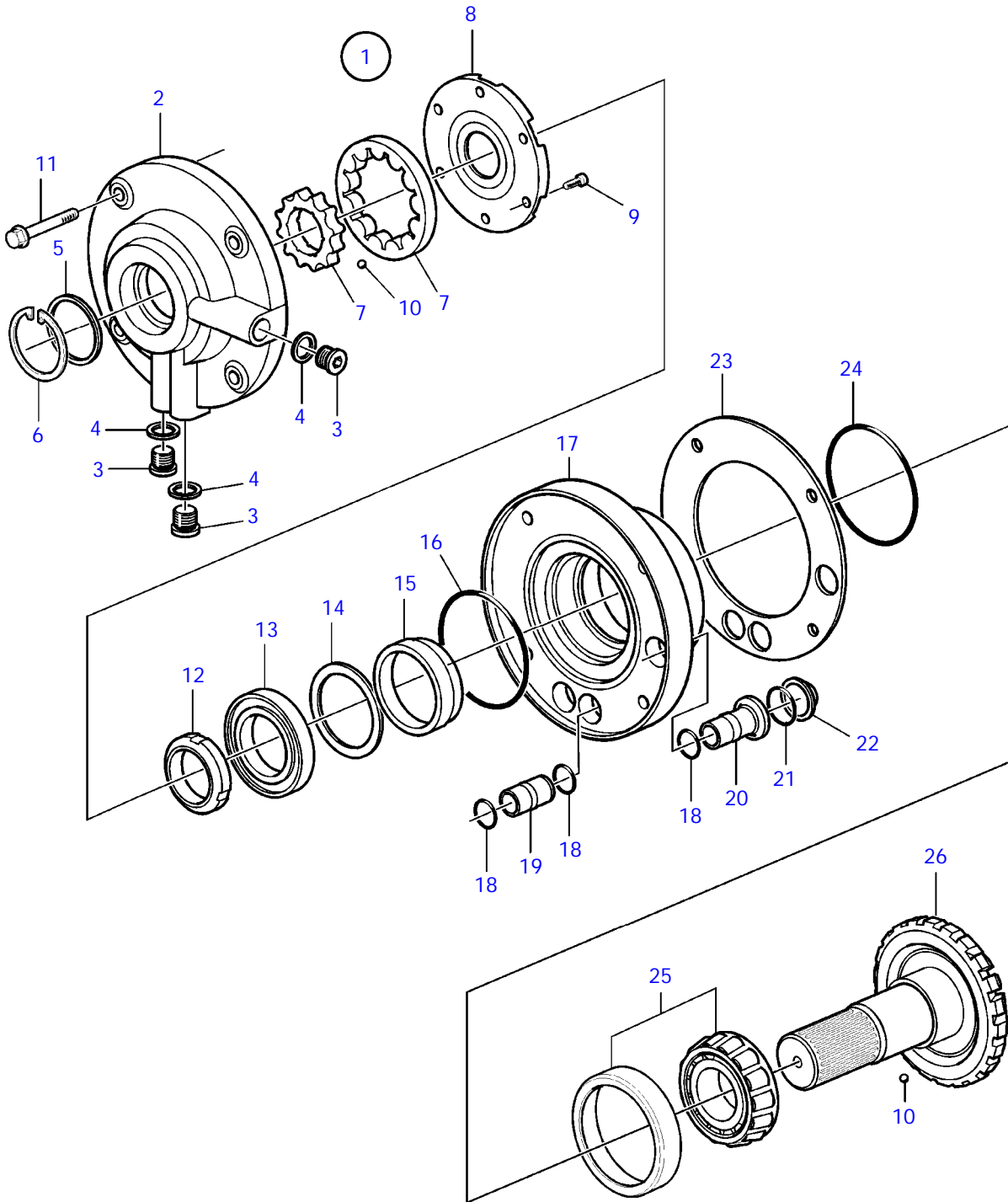


22781

IPS-A

REF	PART NO.	QTY	DESCRIPTION	NOTES
1	3842012	1	Oil pump kit	
2	3861050	1	• Pump housing	
3	945065	3	• Plug	
4	969011	3	• Gasket	
5	6842273	1	• Lip seal	
6	914526	1	• Snap ring	
7		1	• Pump element tappet	Not sold separately
8		1	• Cover	Not sold separately
9	942001	6	• Hex. socket screw	L=16mm
10	1521240	1	• Ball	
11	965186	4	Flange screw	L=50mm
12	969074	1	Round nut	
13	11043	1	Roller bearing	
14	983149	X	Shim	TH=0.10mm
	983150	X	Shim	TH=0.15mm
	983151	X	Shim	TH=0.35mm
15	3861198	1	Spacer	Replaced by spacer 3842410, bearing housing 3842408 and roller bearing 184595.
16	925262	1	O-ring	
17	3861051	1	Bearing housing	Replaced by spacer 3842410, bearing housing 3842408 and roller bearing 184595.
18	955989	5	O-ring	
19	3861492	2	Sleeve	
20	3862011	1	Sleeve	
21	955997	1	O-ring	
22	3886794	1	Strainer	
23	3861052	X	Shim	TH=0,08mm
	3861053	X	Shim	TH=0,13mm
	3861054	X	Shim	TH=0,25mm
24	925260	1	O-ring	
25	184693	1	Roller bearing	Replaced by spacer 3842410, bearing housing 3842408 and roller bearing 184595.
26		1	Pinion	See section for "Upper Gear Set"

IPS-B

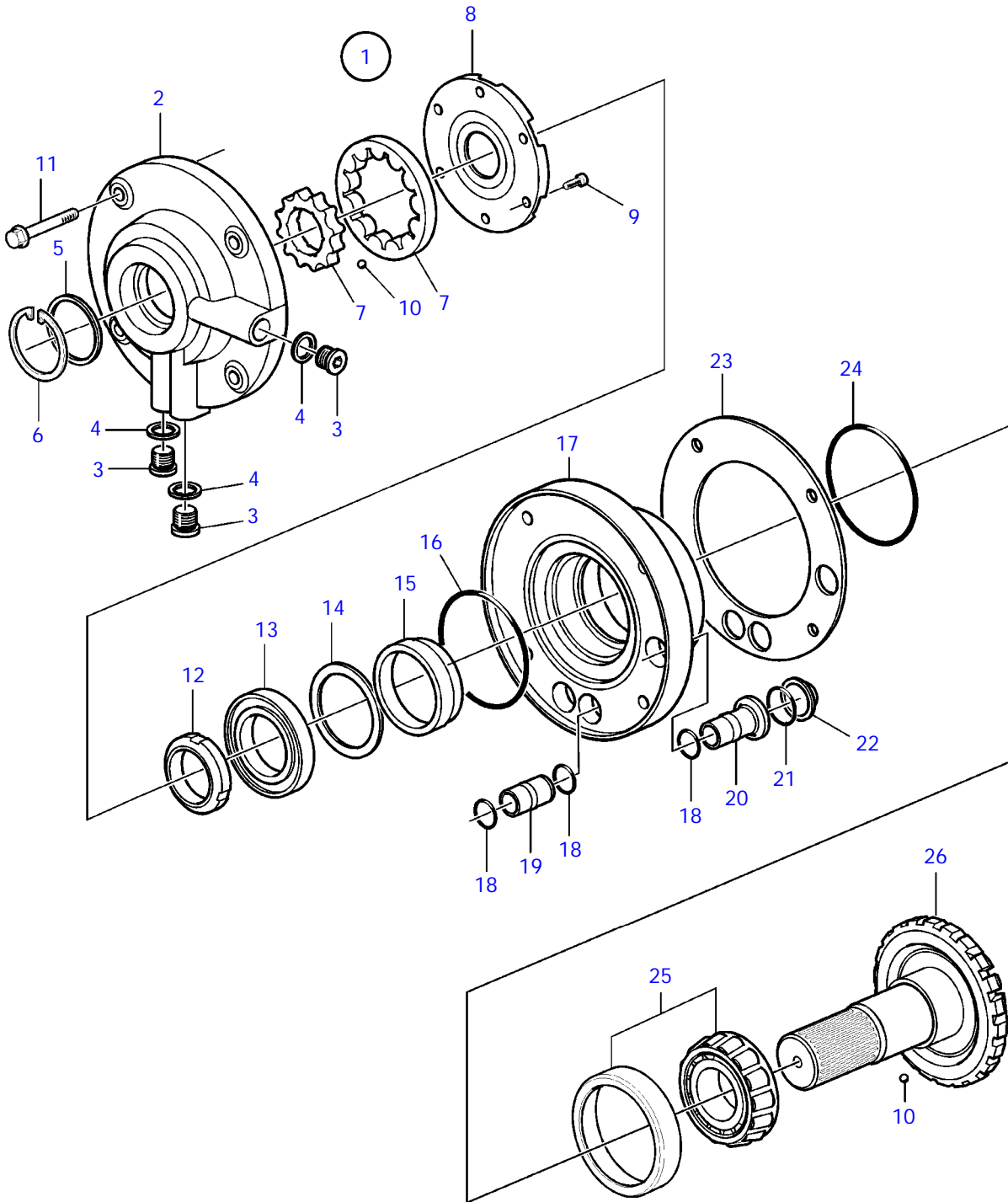


22781

IPS-B

REF	PART NO.	QTY	DESCRIPTION	NOTES
1	3842012	1	Oil pump kit	
2	3861050	1	• Pump housing	
3	945065	3	• Plug	
4	969011	3	• Gasket	
5	6842273	1	• Lip seal	
6	914526	1	• Snap ring	
7		1	• Pump element tappet	Not sold separately
8		1	• Cover	Not sold separately
9	942001	6	• Hex. socket screw	L=16mm
10	1521240	1	• Ball	
11	965186	4	Flange screw	L=50mm
12	969074	1	Round nut	
13	11043	1	Roller bearing	
14	983149	X	Shim	TH=0.10mm
	983150	X	Shim	TH=0.15mm
	983151	X	Shim	TH=0.35mm
15	3842410	1	Spacer	
16	925262	1	O-ring	
17	3842408	1	Bearing housing	
18	955989	5	O-ring	
19	3861492	2	Sleeve	
20	3862011	1	Sleeve	
21	955997	1	O-ring	
22	3886794	1	Strainer	
23	3861052	X	Shim	TH=0,08mm
	3861053	X	Shim	TH=0,13mm
	3861054	X	Shim	TH=0,25mm
24	925260	1	O-ring	
25	184595	1	Roller bearing	
26		1	Pinion	See section for "Upper Gear Set"

IPS-C



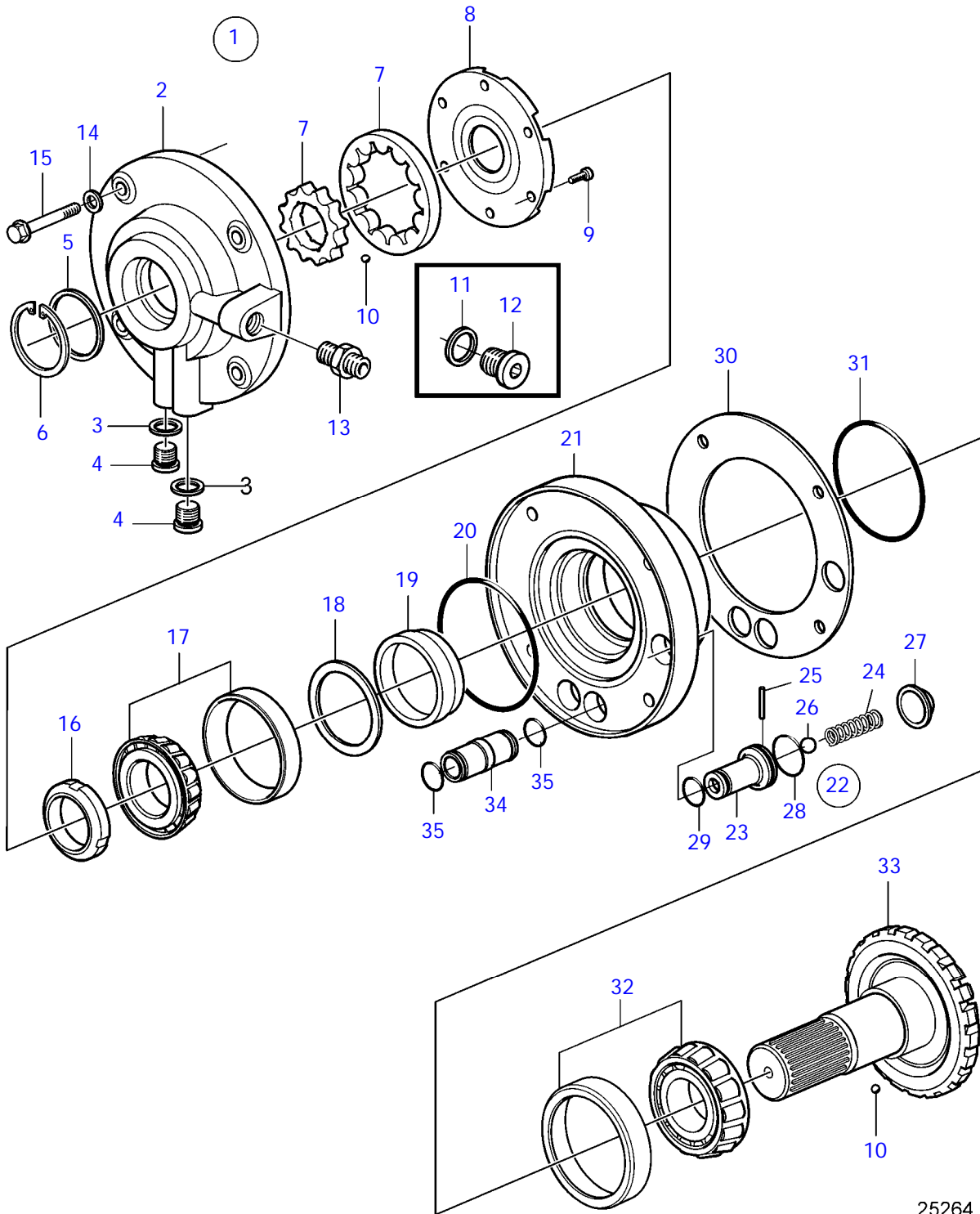
22781

IPS-C

REF	PART NO.	QTY	DESCRIPTION	NOTES
1	3842012	1	Oil pump kit	
2	3861050	1	• Pump housing	
3	945065	3	• Plug	
4	969011	3	• Gasket	
5	6842273	1	• Lip seal	
6	914526	1	• Snap ring	
7		1	• Pump element tappet	Not sold separately
8		1	• Cover	Not sold separately
9	942001	6	• Hex. socket screw	L=16mm
10	1521240	1	• Ball	
11	965186	4	Flange screw	L=50mm
12	969074	1	Round nut	
13	11043	1	Roller bearing	
14	983149	X	Shim	TH=0.10mm
	983150	X	Shim	TH=0.15mm
	983151	X	Shim	TH=0.35mm
15	3842410	1	Spacer	
16	925262	1	O-ring	
17	3889210	1	Bearing housing	
18	955989	5	O-ring	
19	3861492	2	Sleeve	
20	3862011	1	Sleeve	
21	955997	1	O-ring	
22	3886794	1	Strainer	
23	3861052	X	Shim	TH=0,08mm
	3861053	X	Shim	TH=0,13mm
	3861054	X	Shim	TH=0,25mm
24	925260	1	O-ring	
25	184595	1	Roller bearing	
26		1	Pinion	See section for "Upper Gear Set"



IPS-D, IPS-E

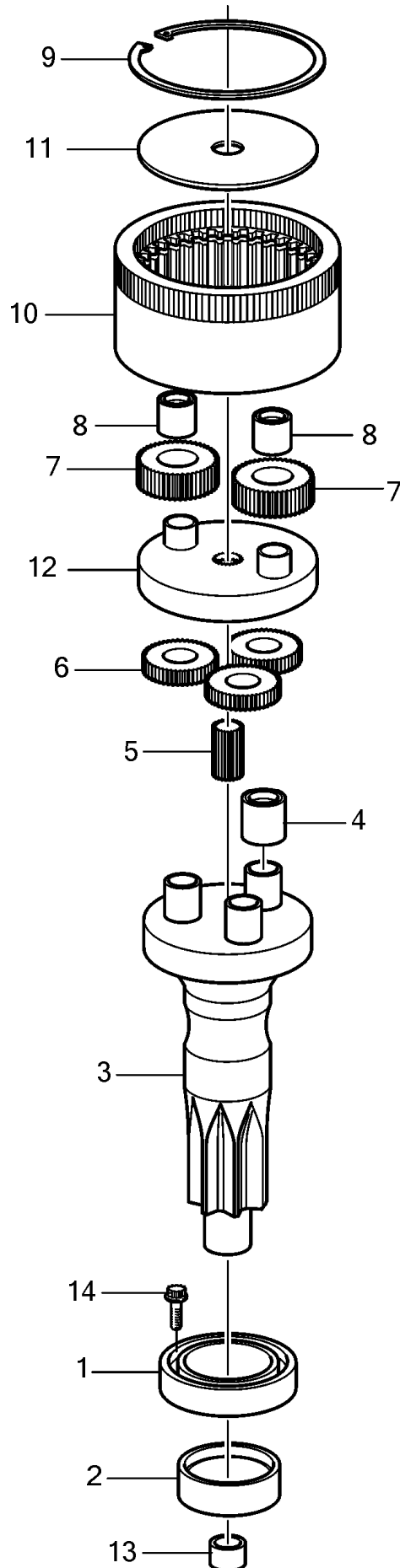


25264

IPS-D, IPS-E

REF	PART NO.	QTY	DESCRIPTION	NOTES
1	21521380	1	Oil pump kit	
2	21412509	1	• Pump housing	
3	969011	2	• Gasket	
4	945065	2	• Plug	
5	6842273	1	• Lip seal	
6	914526	1	• Snap ring	
7		1	• Pump element tappet	Not sold separately
8	(21233907)	1	• Cover	Not sold separately, Obsolete part
9	942001	6	• Hex. socket screw	L=16mm
10	1521240	1	• Ball	
11	947627	1	• Gasket	Not in use for IPS-D
12		1	• Plug	Not in use for IPS-D
13	994509	1	Nipple	
14	942551	4	Washer	
15	965186	4	Flange screw	L=50mm
16	969074	1	Round nut	
17	11043	1	Roller bearing	
18	983149	X	Shim	TH=0.10mm
	983150	X	Shim	TH=0.15mm
	983151	X	Shim	TH=0.35mm
19	3842410	1	Spacer	
20	925262	1	O-ring	
21	21269907	1	Bearing housing	
22	21412587	1	Sleeve	
23		1	• Sleeve	
24	814184	1	• Spring	
25	951936	1	• Spring pin	
26	(190297)	1	• Ball	Obsolete part
27	3886794	1	Strainer	
28	955997	1	O-ring	
29	955989	1	O-ring	
30	3861052	X	Shim	TH=0,08mm
	3861053	X	Shim	TH=0,13mm
	3861054	X	Shim	TH=0,25mm
31	925260	1	O-ring	
32	184595	1	Roller bearing	
33		1	Pinion	See section for "Upper Gear Set"
34	3861492	2	Sleeve	
35	955989	4	O-ring	

IPS-A, IPS-B, IPS-C, IPS-D, IPS-E

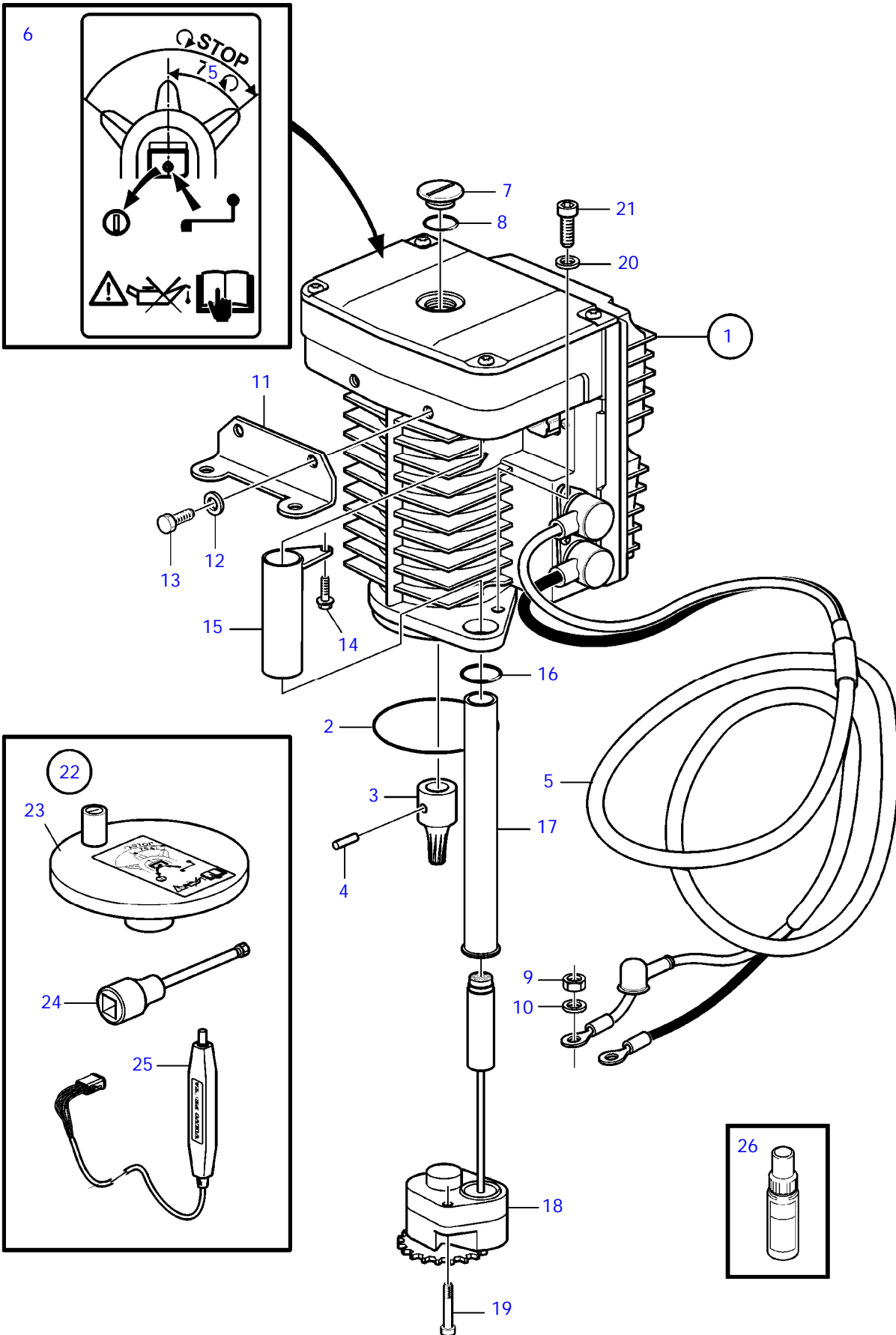


20653

IPS-A, IPS-B, IPS-C, IPS-D, IPS-E

REF	PART NO.	QTY	DESCRIPTION	NOTES
1	184864	1	Ball bearing	
2	184078	1	Needle roller bushin	
3	3588125	1	Steering axle	
4	181269	3	Needle roller assemb	
5	3588113	1	Sun gear	
6	3588115	3	Planet gear	
7	3588110	2	Planet gear	
8	183365	2	Needle roller assemb	
9	945486	1	Snap ring	
10	3588117	1	Ring gear	
11	3588127	1	Spacer plate	
12	3588121	1	Drive plate	
13	184093	1	Needle roller bushin	
14	967949	1	Flange screw	Use locking fluid.

IPS-A

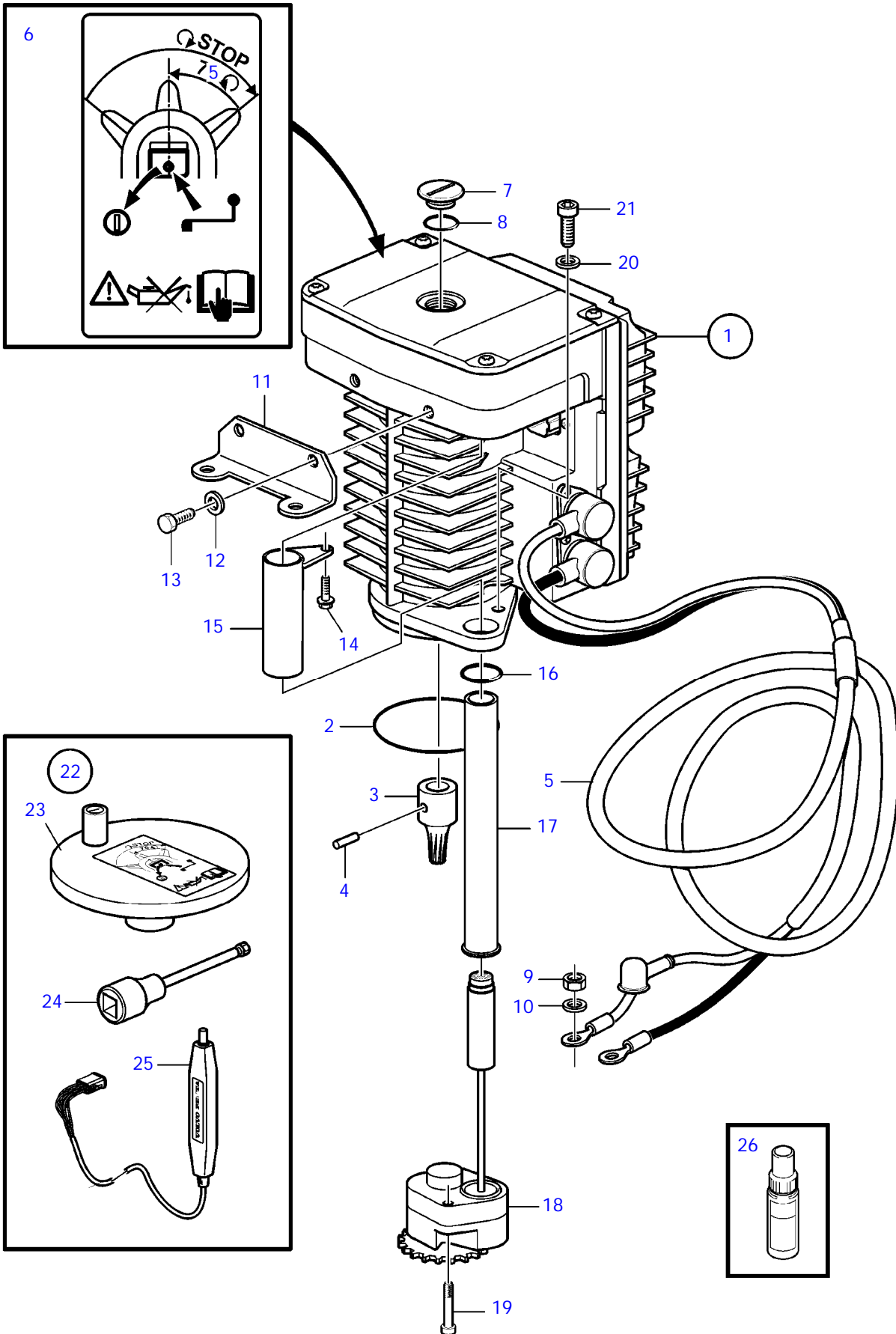


23526

IPS-A

REF	PART NO.	QTY	DESCRIPTION	NOTES
1	3803889	1	Servo unit, exch	EVC-B -B2
	3809285	1	Software	Vodia-programming. This p/n can not be ordered, but will be used for invoicing.
	3809286	1	Software	Warehouse programming. This p/n can not be ordered, but will be used for invoicing.
2	925258	1	• O-ring	
3	3588108	1	• Sun gear	
4	949796	1	• Spring pin	
5	888553	1	• Cable	Std
	3807917	1	• Cable	Jackshaft
6	3809619	1	• Decal	
7	3809775	1	• Closure	
8	955994	1	• O-ring	
9	983715	2	Hexagon nut	
10	941907	2	Spring washer	
11	21161108	1	Bracket	
12	941670	2	Washer	
13	984697	2	Hexagon screw	
14	945358	1	Flange screw	
15	3587842	1	Tube	
16	949657	1	O-ring	
17	3862558	1	Tube	
18	3594642	1	Sensor kit	
19	959207	2	Hex. socket screw	
20	946541	2	Hex. socket screw	
21	941670	2	Washer	
22	3812065	1	Kit	
23	3809570	1	• Crank	
24	3863070	1	• Tool	
25	3812541	1	• Breaker	
26	9434520	1	Locking fluid	Use for area between resolver and SUS.

IPS-B



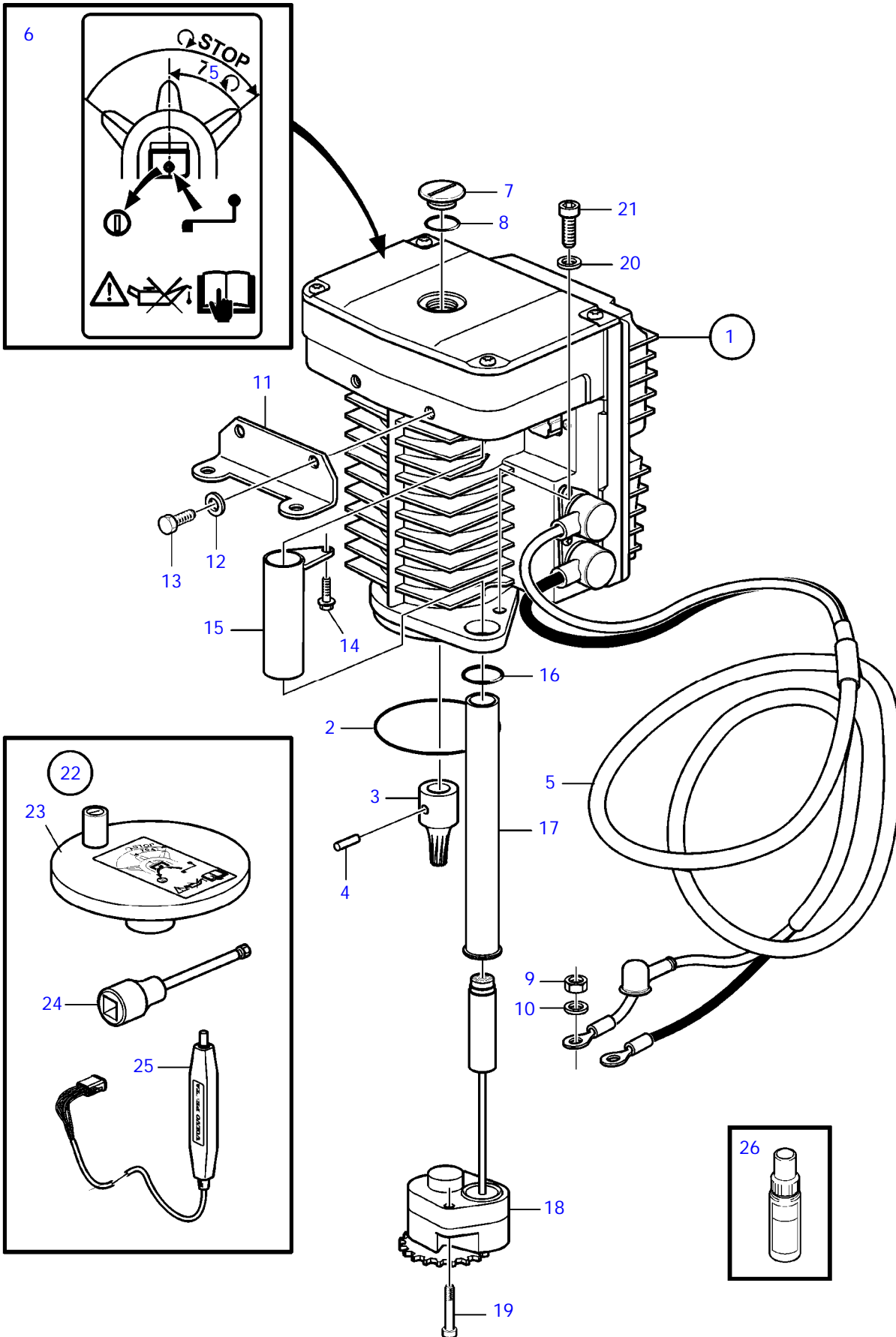
23526

## IPS-B

REF	PART NO.	QTY	DESCRIPTION	NOTES
1	3801113	1	Servo unit, exch	EVC-C, SN-3194005811
	3801290	1	Servo unit, exch	EVC-C, SN3194005812-
	3809285	1	Software	Vodia-programming. This p/n can not be ordered, but will be used for invoicing.
	3809286	1	Software	Warehouse programming. This p/n can not be ordered, but will be used for invoicing.
2	925258	1	• O-ring	
3	3588108	1	• Sun gear	
4	949796	1	• Spring pin	
5	888553	1	• Cable	Std
	3807917	1	• Cable	Jackshaft
6	3809619	1	• Decal	
7	3809775	1	• Closure	
8	955994	1	• O-ring	
9	983715	2	Hexagon nut	
10	941907	2	Spring washer	
11	21161108	1	Bracket	
12	941670	2	Washer	
13	984697	2	Hexagon screw	
14	945358	1	Flange screw	
15	3587842	1	Tube	
16	949657	1	O-ring	
17	3862558	1	Tube	
18	3594642	1	Sensor kit	SN-3194005811
	21147917	1	Sensor kit, kit	SN3194005812-
19	959207	2	Hex. socket screw	
20	946541	2	Hex. socket screw	
21	941670	2	Washer	
22	3812065	1	Kit	
23	3809570	1	• Crank	
24	3863070	1	• Tool	
25	3812541	1	• Breaker	
26	9434520	1	Locking fluid	Use for area between resolver and SUS.



IPS-C, IPS-D

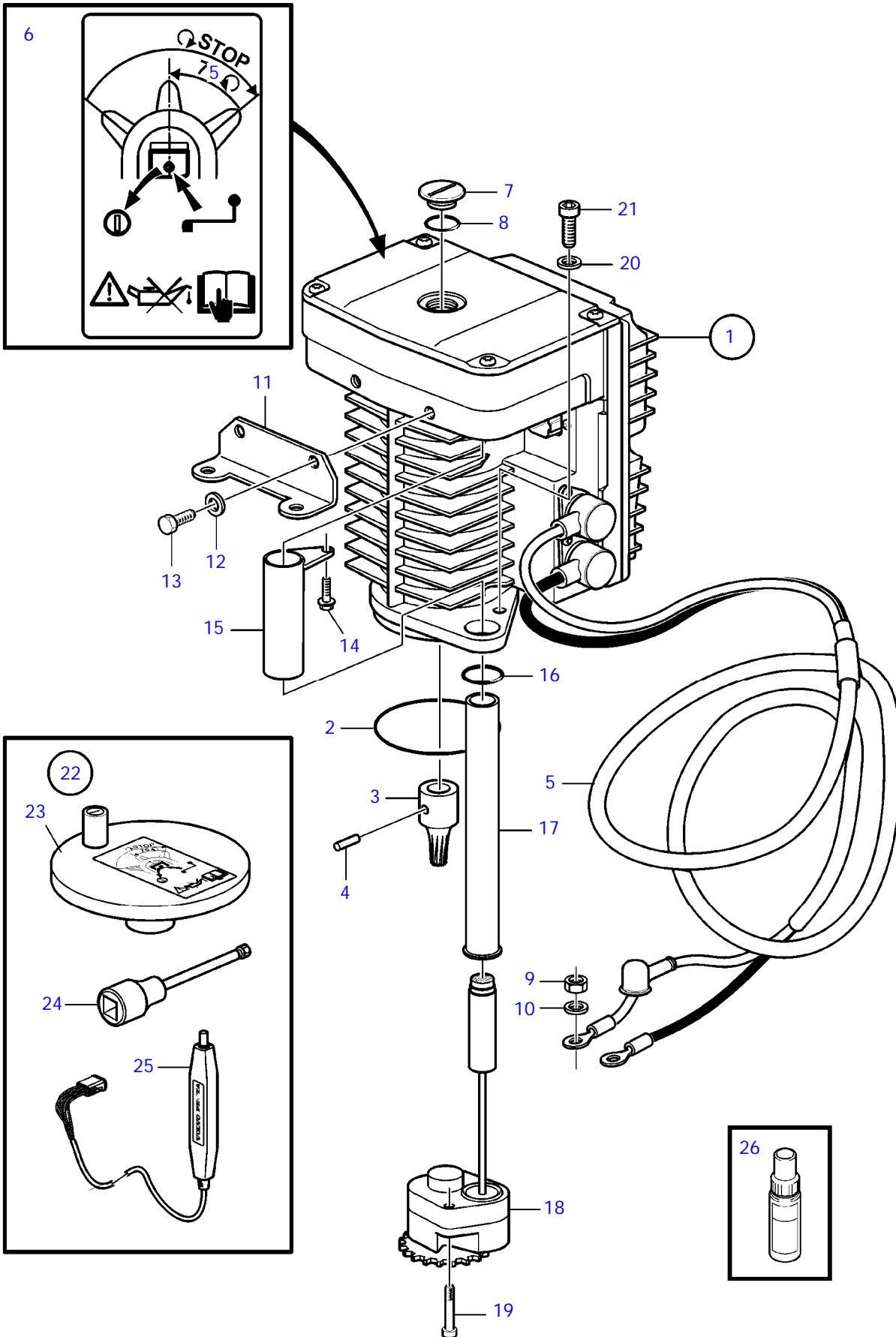


23526

IPS-C, IPS-D

REF	PART NO.	QTY	DESCRIPTION	NOTES
1	3801362	1	Servo unit, exch	EVC-C
	3809285	1	Software	Vodia-programming. This p/n can not be ordered, but will be used for invoicing.
	3809286	1	Software	Warehouse programming. This p/n can not be ordered, but will be used for invoicing.
2	925258	1	• O-ring	
3	3588108	1	• Sun gear	
4	949796	1	• Spring pin	
5	888553	1	• Cable	Std
	3807917	1	• Cable	Jackshaft
6	3809619	1	• Decal	
7	3809775	1	• Closure	
8	955994	1	• O-ring	
9	983715	2	Hexagon nut	
10	941907	2	Spring washer	
11	21408647	1	Bracket	
12	941670	2	Washer	
13	984697	2	Hexagon screw	
14	945358	1	Flange screw	
15	3587842	1	Tube	
16	949657	1	O-ring	
17	3862558	1	Tube	
18	21147917	1	Sensor kit	
19	959207	2	Hex. socket screw	
20	946541	2	Hex. socket screw	
21	941670	2	Washer	
22	3812065	1	Kit	
23	3809570	1	• Crank	
24	3863070	1	• Tool	
25	3812541	1	• Breaker	
26	9434520	1	Locking fluid	Use for area between resolver and SUS.

IPS-E

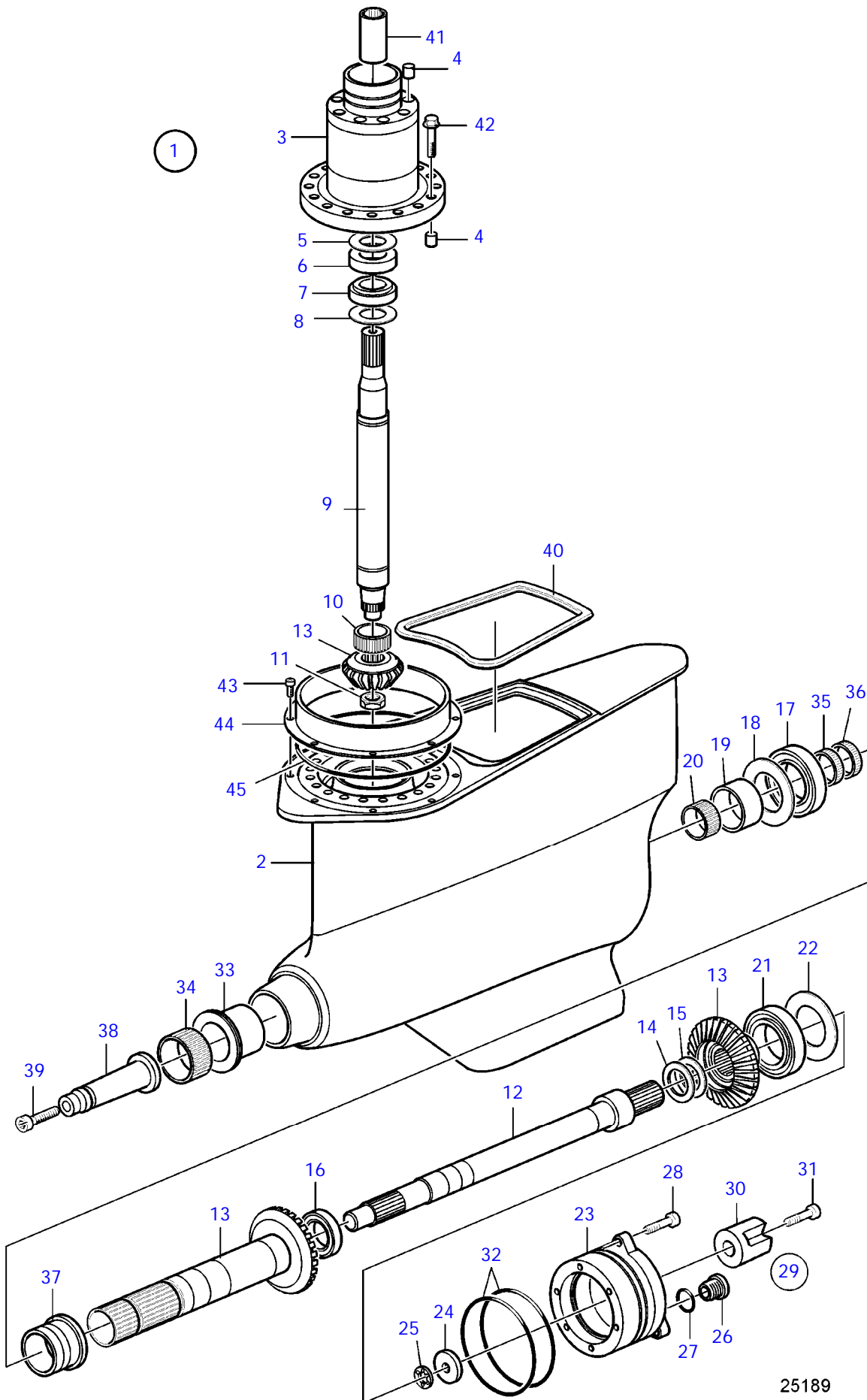


23526

IPS-E

REF	PART NO.	QTY	DESCRIPTION	NOTES
1	3801402	1	Servo unit, exch	EVC-D
	3809285	1	Software	Vodia-programming. This p/n can not be ordered, but will be used for invoicing.
	3809286	1	Software	Warehouse programming. This p/n can not be ordered, but will be used for invoicing.
2	925258	1	• O-ring	
3	3588108	1	• Sun gear	
4	949796	1	• Spring pin	
5	888553	1	• Cable	Std
	3807917	1	• Cable	Jackshaft
6	3809619	1	• Decal	
7	3809775	1	• Closure	
8	955994	1	• O-ring	
9	983715	2	Hexagon nut	
10	941907	2	Spring washer	
11	21408647	1	Bracket	
12	941670	2	Washer	
13	984697	2	Hexagon screw	
14	945358	1	Flange screw	
15	3587842	1	Tube	
16	949657	1	O-ring	
17	3862558	1	Tube	
18	21147917	1	Sensor kit	
19	959207	2	Hex. socket screw	
20	946541	2	Hex. socket screw	
21	941670	2	Washer	
22	3812065	1	Kit	
23	3809570	1	• Crank	
24	3863070	1	• Tool	
25	3812541	1	• Breaker	
26	9434520	1	Locking fluid	Use for area between resolver and SUS.

IPS-A

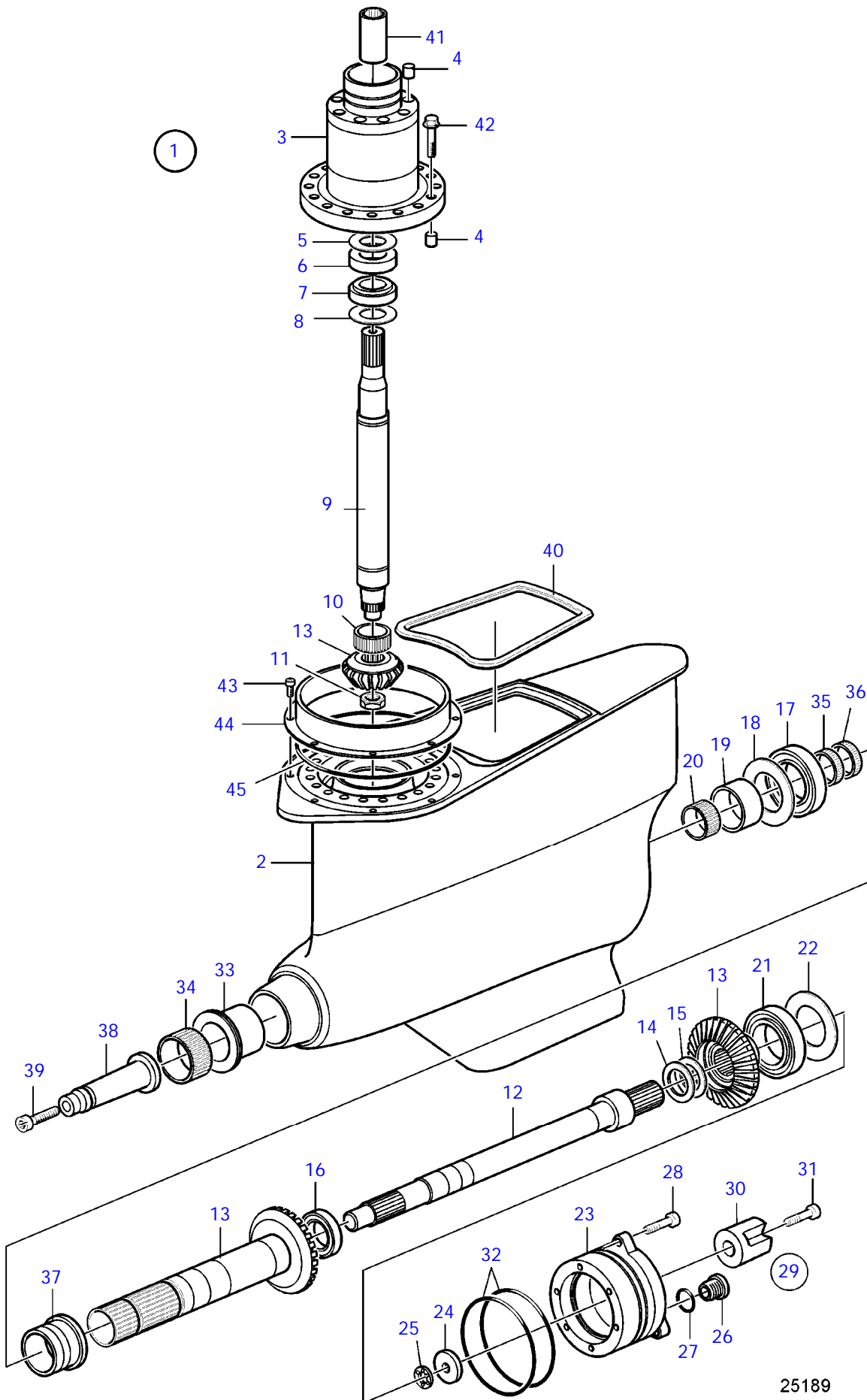


25189

## IPS-A

REF	PART NO.	QTY	DESCRIPTION	NOTES
1	3803835	1	Lower gear, exch	
2	3861138	1	• Gear housing	
3	3861694	1	• Steering knuckle	
4	(3862569)	2	• Guide sleeve	Obsolete part
5	983155	X	• Shim	TH=0.10mm
	983156	X	• Shim	TH=0.15mm
	983157	X	• Shim	TH=0.35mm
6	3850852	1	• Bearing	
7	183647	1	• Roller bearing	
8	983152	X	• Shim	TH=0.10mm
	983153	X	• Shim	TH=0.15mm
	983154	X	• Shim	TH=0.35mm
9	3861202	1	• Shaft	
10	184078	1	• Needle roller bushin	
11	3861203	1	• Nut	
12	3863373	1	• Shaft	
13	3861176	1	• Gear set	
14	3841055	X	• Adjusting washer	TH=1,95mm
	3841056	X	• Adjusting washer	TH=2.00mm
	3841057	X	• Adjusting washer	TH=2.10mm
	3841058	X	• Adjusting washer	TH=2.15mm
15	3841055	X	• Adjusting washer	TH=1,95mm
	3841056	X	• Adjusting washer	TH=2.00mm
	3841057	X	• Adjusting washer	TH=2.10mm
	3841058	X	• Adjusting washer	TH=2.15mm
16	183840	1	• Roller bearing	
17	184659	1	• Roller bearing	
18	983158	X	• Shim	TH=0.10mm
	983159	X	• Shim	TH=0.15mm
	983160	X	• Shim	TH=0.35mm
19	184851	1	• Inner ring	
20	184852	1	• Needle roller bushin	
21	184849	1	• Roller bearing	
22	983161	X	• Shim	TH=0.10mm
	983162	X	• Shim	TH=0.15mm
	983163	X	• Shim	TH=0.35mm
23	3862151	1	• Bearing carrier	
24	8171169	1	• Magnet	
25	945719	1	• Retainer	
26	3847669	1	• Plug	
27	949656	1	• O-ring	
28	963711	3	• Hex. socket screw	L=50mm
29	3593981	1	• Anode kit	
30		1	• • Anode	
31		1	• • Hex. socket screw	
32	925096	2	• O-ring	
33	3842290	1	• Sealing ring kit	
34	184850	1	• Needle roller bushin	
35	3842288	1	• Sealing ring	Blue
36	3842286	1	• Sealing ring	Brown
37	3861087	1	• Lock nut	
38	3861207	1	• Propeller nut	
39	3862108	1	• Hex. socket screw	
40	3586568	1	Sealing	
41	3861201	1	Splined sleeve	
42	3860364	10	Screw	
43	963694	8	Hex. socket screw	
44	21568866	1	Ring	
45	968241	1	O-ring	

IPS-B



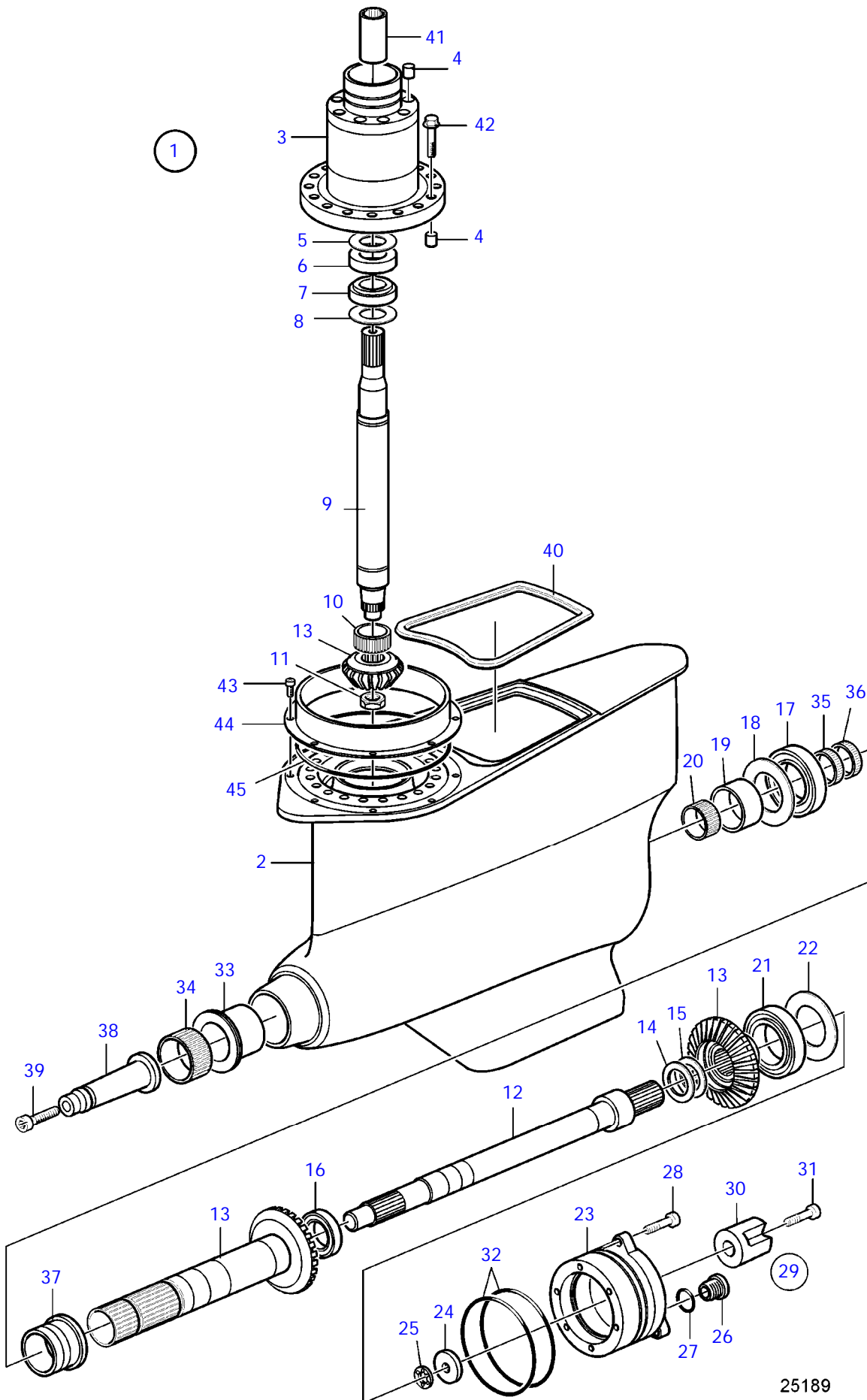
25189

## IPS-B

REF	PART NO.	QTY	DESCRIPTION	NOTES
1	3803835	1	Lower gear, exch	Ratio 2.08:1, Ratio 1.94:1
	3801112	1	Lower gear, exch	Ratio 1.82:1
	3801250	1	Lower gear, exch	Ratio 2.40:1
2	3861138	1	• Gear housing	
3	3861694	1	• Steering knuckle	
4	(3862569)	2	• Guide sleeve	Obsolete part
5	983155	X	• Shim	TH=0.10mm
	983156	X	• Shim	TH=0.15mm
	983157	X	• Shim	TH=0.35mm
6	3850852	1	• Bearing	
7	183647	1	• Roller bearing	
8	983152	X	• Shim	TH=0.10mm
	983153	X	• Shim	TH=0.15mm
	983154	X	• Shim	TH=0.35mm
9	3861202	1	• Shaft	
10	184078	1	• Needle roller bushin	
11	3861203	1	• Nut	
12	3863373	1	• Shaft	
13	3861176	1	• Gear set	Ratio 2.08:1, Ratio 1.94:1
	3861171	1	• Gear set	Ratio 1.82:1
	3593624	1	• Gear set	Ratio 2.40:1
14	3841055	X	• Adjusting washer	TH=1,95mm
	3841056	X	• Adjusting washer	TH=2.00mm
	3841057	X	• Adjusting washer	TH=2.10mm
	3841058	X	• Adjusting washer	TH=2.15mm
15	3841055	X	• Adjusting washer	TH=1,95mm
	3841056	X	• Adjusting washer	TH=2.00mm
	3841057	X	• Adjusting washer	TH=2.10mm
	3841058	X	• Adjusting washer	TH=2.15mm
16	183840	1	• Roller bearing	
17	184659	1	• Roller bearing	
18	983158	X	• Shim	TH=0.10mm
	983159	X	• Shim	TH=0.15mm
	983160	X	• Shim	TH=0.35mm
19	184851	1	• Inner ring	
20	184852	1	• Needle roller bushin	
21	184849	1	• Roller bearing	
22	983161	X	• Shim	TH=0.10mm
	983162	X	• Shim	TH=0.15mm
	983163	X	• Shim	TH=0.35mm
23	3862151	1	• Bearing carrier	
24	8171169	1	• Magnet	(1069375)
25	945719	1	• Retainer	
26	3847669	1	• Plug	
27	949656	1	• O-ring	
28	963711	2	• Hex. socket screw	L=50mm
29	3593981	1	• Anode kit	
30		1	• • Anode	
31		1	• • Hex. socket screw	
32	925096	2	• O-ring	
33	3842290	1	• Sealing ring kit	
34	184850	1	• Needle roller bushin	
35	3842288	1	• Sealing ring	Blue
36	3842286	1	• Sealing ring	Brown
37	3861087	1	• Lock nut	
38	3861207	1	• Propeller nut	
39	3862108	1	• Hex. socket screw	
40	3586568	1	Sealing	
41	3861201	1	Splined sleeve	
42	3860364	10	Screw	
43	963694	8	Hex. socket screw	
44	21568866	1	Ring	
45	968241	1	O-ring	



IPS-C

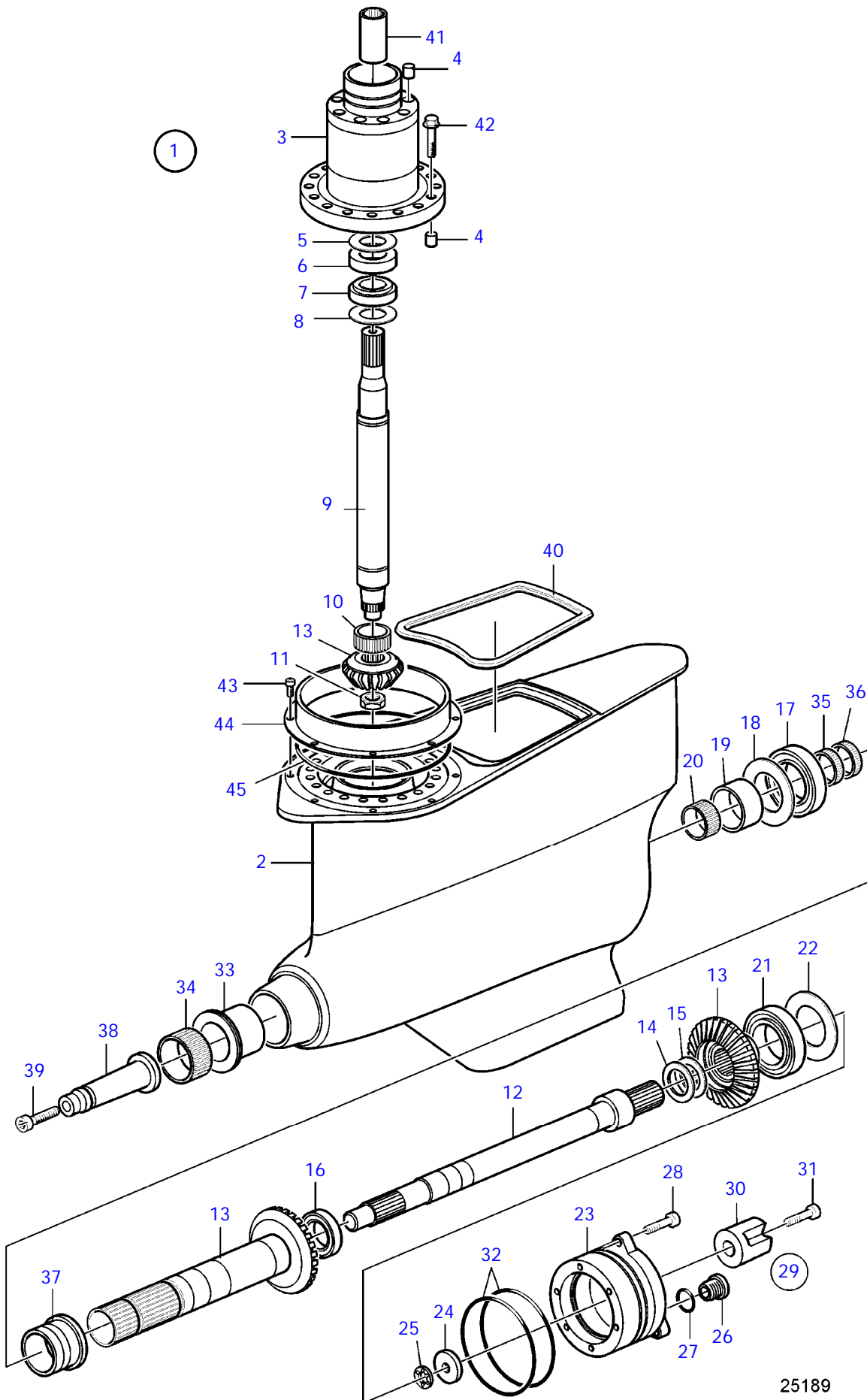


25189

## IPS-C

REF	PART NO.	QTY	DESCRIPTION	NOTES
1	3801112	1	Lower gear, exch	Ratio 1.82:1, SN-3194005811
	3801303	1	Lower gear, exch	Ratio 1.82:1, SN3194005812-
	3803835	1	Lower gear, exch	Ratio 1.94:1, Ratio 2.08:1, SN-3194005811
	3801302	1	Lower gear, exch	Ratio 1.94:1, Ratio 2.08:1, SN3194005812-
2	3861138	1	• Gear housing	
3	3861694	1	• Steering knuckle	
4	(3862569)	2	• Guide sleeve	Obsolete part
5	983155	X	• Shim	TH=0.10mm
	983156	X	• Shim	TH=0.15mm
	983157	X	• Shim	TH=0.35mm
6	3850852	1	• Bearing	
7	183647	1	• Roller bearing	
8	983152	X	• Shim	TH=0.10mm
	983153	X	• Shim	TH=0.15mm
	983154	X	• Shim	TH=0.35mm
9	3861202	1	• Shaft	
10	184078	1	• Needle roller bushin	
11	3861203	1	• Nut	
12	3863373	1	• Shaft	
13	3861171	1	• Gear set	Ratio 1.82:1
	3861176	1	• Gear set	Ratio 1.94:1, Ratio 2.08:1
14	3841055	X	• Adjusting washer	TH=1,95mm
	3841056	X	• Adjusting washer	TH=2.00mm
	3841057	X	• Adjusting washer	TH=2.10mm
	3841058	X	• Adjusting washer	TH=2.15mm
15	3841055	X	• Adjusting washer	TH=1,95mm
	3841056	X	• Adjusting washer	TH=2.00mm
	3841057	X	• Adjusting washer	TH=2.10mm
	3841058	X	• Adjusting washer	TH=2.15mm
16	183840	1	• Roller bearing	
17	184659	1	• Roller bearing	
18	983158	X	• Shim	TH=0.10mm
	983159	X	• Shim	TH=0.15mm
	983160	X	• Shim	TH=0.35mm
19	184851	1	• Inner ring	
20	184852	1	• Needle roller bushin	
21	184849	1	• Roller bearing	
22	983161	X	• Shim	TH=0.10mm
	983162	X	• Shim	TH=0.15mm
	983163	X	• Shim	TH=0.35mm
23	3862151	1	• Bearing carrier	
24	8171169	1	• Magnet	
25	945719	1	• Retainer	
26	3847669	1	• Plug	
27	949656	1	• O-ring	
28	963711	2	• Hex. socket screw	L=50mm
29	3593981	1	• Anode kit	
30		1	• • Anode	
31		1	• • Hex. socket screw	
32	925096	2	• O-ring	
33	3842290	1	• Sealing ring kit	
34	184850	1	• Needle roller bushin	
35	3842288	1	• Sealing ring	Blue
36	3842286	1	• Sealing ring	Brown
37	3861087	1	• Lock nut	
38	3861207	1	• Propeller nut	
39	3862108	1	• Hex. socket screw	
40	3586568	1	Sealing	
41	3861201	1	Splined sleeve	
42	3860364	10	Screw	
43	963694	8	Hex. socket screw	
44	21568866	1	Ring	
45	968241	1	O-ring	

IPS-D

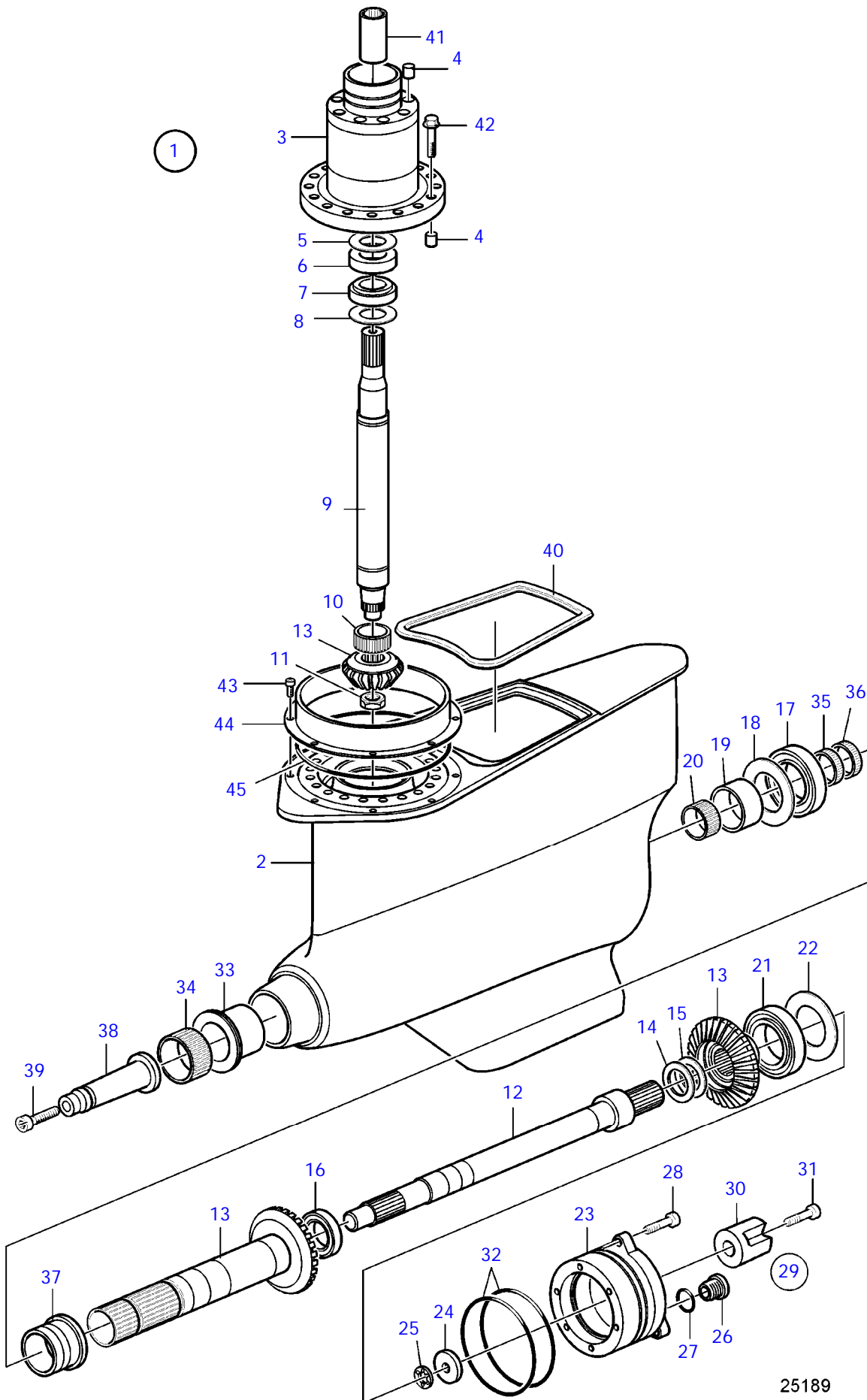


25189

## IPS-D

REF	PART NO.	QTY	DESCRIPTION	NOTES
1	3801302	1	Lower gear, exch	Ratio 1.94:1, Ratio 2.08:1
2	3861138	1	• Gear housing	
3	3861694	1	• Steering knuckle	
4	(3862569)	2	• Guide sleeve	Obsolete part
5	983155	X	• Shim	TH=0.10mm
	983156	X	• Shim	TH=0.15mm
	983157	X	• Shim	TH=0.35mm
6	3850852	1	• Bearing	
7	183647	1	• Roller bearing	
8	983152	X	• Shim	TH=0.10mm
	983153	X	• Shim	TH=0.15mm
	983154	X	• Shim	TH=0.35mm
9	3861202	1	• Shaft	
10	184078	1	• Needle roller bushin	
11	3861203	1	• Nut	
12	3863373	1	• Shaft	
13	3861171	1	• Gear set	Ratio 1.82:1
	3861176	1	• Gear set	Ratio 1.94:1, Ratio 2.08:1
14	3841055	X	• Adjusting washer	TH=1,95mm
	3841056	X	• Adjusting washer	TH=2.00mm
	3841057	X	• Adjusting washer	TH=2.10mm
	3841058	X	• Adjusting washer	TH=2.15mm
15	3841055	X	• Adjusting washer	TH=1,95mm
	3841056	X	• Adjusting washer	TH=2.00mm
	3841057	X	• Adjusting washer	TH=2.10mm
	3841058	X	• Adjusting washer	TH=2.15mm
16	183840	1	• Roller bearing	
17	184659	1	• Roller bearing	
18	983158	X	• Shim	TH=0.10mm
	983159	X	• Shim	TH=0.15mm
	983160	X	• Shim	TH=0.35mm
19	184851	1	• Inner ring	
20	184852	1	• Needle roller bushin	
21	184849	1	• Roller bearing	
22	983161	X	• Shim	TH=0.10mm
	983162	X	• Shim	TH=0.15mm
	983163	X	• Shim	TH=0.35mm
23	3862151	1	• Bearing carrier	
24	8171169	1	• Magnet	
25	945719	1	• Retainer	
26	3847669	1	• Plug	
27	949656	1	• O-ring	
28	963711	2	• Hex. socket screw	L=50mm
29	3593981	1	• Anode kit	
30		1	• • Anode	
31		1	• • Hex. socket screw	
32	925096	2	• O-ring	
33	3842290	1	• Sealing ring kit	
34	184850	1	• Needle roller bushin	
35	3842288	1	• Sealing ring	Blue
36	3842286	1	• Sealing ring	Brown
37	3861087	1	• Lock nut	
38	3861207	1	• Propeller nut	
39	963699	1	• Hex. socket screw	
40	3586568	1	Sealing	
41	3861201	1	Splined sleeve	
42	3860364	10	Screw	
43	963694	8	Hex. socket screw	
44	21568866	1	Ring	
45	968241	1	O-ring	

IPS-E

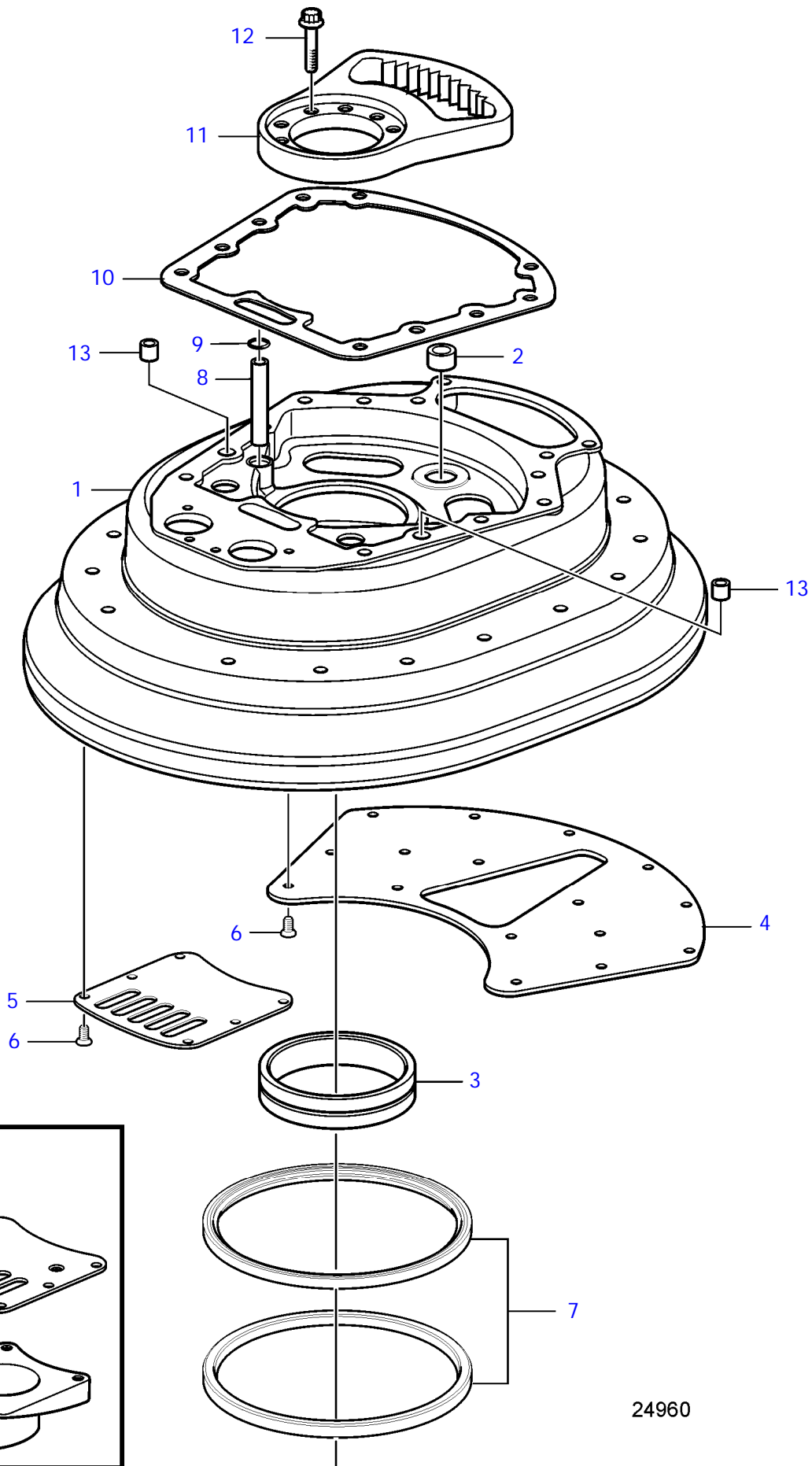


25189

## IPS-E

REF	PART NO.	QTY	DESCRIPTION	NOTES
1	3801302	1	Lower gear, exch	Ratio 1.94:1, Ratio 2.08:1
2	3861138	1	• Gear housing	
3	21521991	1	• Steering knuckle	
4	(3862569)	2	• Guide sleeve	Obsolete part
5	983155	X	• Shim	TH=0.10mm
	983156	X	• Shim	TH=0.15mm
	983157	X	• Shim	TH=0.35mm
6	3850852	1	• Bearing	
7	183647	1	• Roller bearing	
8	983152	X	• Shim	TH=0.10mm
	983153	X	• Shim	TH=0.15mm
	983154	X	• Shim	TH=0.35mm
9	3861202	1	• Shaft	
10	184078	1	• Needle roller bushin	
11	3861203	1	• Nut	
12	3863373	1	• Shaft	
13	3861171	1	• Gear set	Ratio 1.82:1
	3861176	1	• Gear set	Ratio 1.94:1, Ratio 2.08:1
14	3841055	X	• Adjusting washer	TH=1,95mm
	3841056	X	• Adjusting washer	TH=2.00mm
	3841057	X	• Adjusting washer	TH=2.10mm
	3841058	X	• Adjusting washer	TH=2.15mm
15	3841055	X	• Adjusting washer	TH=1,95mm
	3841056	X	• Adjusting washer	TH=2.00mm
	3841057	X	• Adjusting washer	TH=2.10mm
	3841058	X	• Adjusting washer	TH=2.15mm
16	183840	1	• Roller bearing	
17	184659	1	• Roller bearing	
18	983158	X	• Shim	TH=0.10mm
	983159	X	• Shim	TH=0.15mm
	983160	X	• Shim	TH=0.35mm
19	184851	1	• Inner ring	
20	184852	1	• Needle roller bushin	
21	184849	1	• Roller bearing	
22	983161	X	• Shim	TH=0.10mm
	983162	X	• Shim	TH=0.15mm
	983163	X	• Shim	TH=0.35mm
23	3862151	1	• Bearing carrier	
24	8171169	1	• Magnet	
25	945719	1	• Retainer	
26	3847669	1	• Plug	
27	949656	1	• O-ring	
28	963711	2	• Hex. socket screw	L=50mm
29	3593981	1	• Anode kit	
30		1	• • Anode	
31		1	• • Hex. socket screw	
32	925096	2	• O-ring	
33	3842290	1	• Sealing ring kit	
34	184850	1	• Needle roller bushin	
35	3842288	1	• Sealing ring	Blue
36	3842286	1	• Sealing ring	Brown
37	3861087	1	• Lock nut	
38	21293480	1	• Propeller nut	
39	963699	1	• Hex. socket screw	
40	3586568	1	Sealing	
41	3861201	1	Splined sleeve	
42	3860364	10	Screw	
43	963694	8	Hex. socket screw	
44	21568866	1	Ring	
45	968241	1	O-ring	

IPS-A, IPS-B, IPS-C, IPS-D, IPS-E

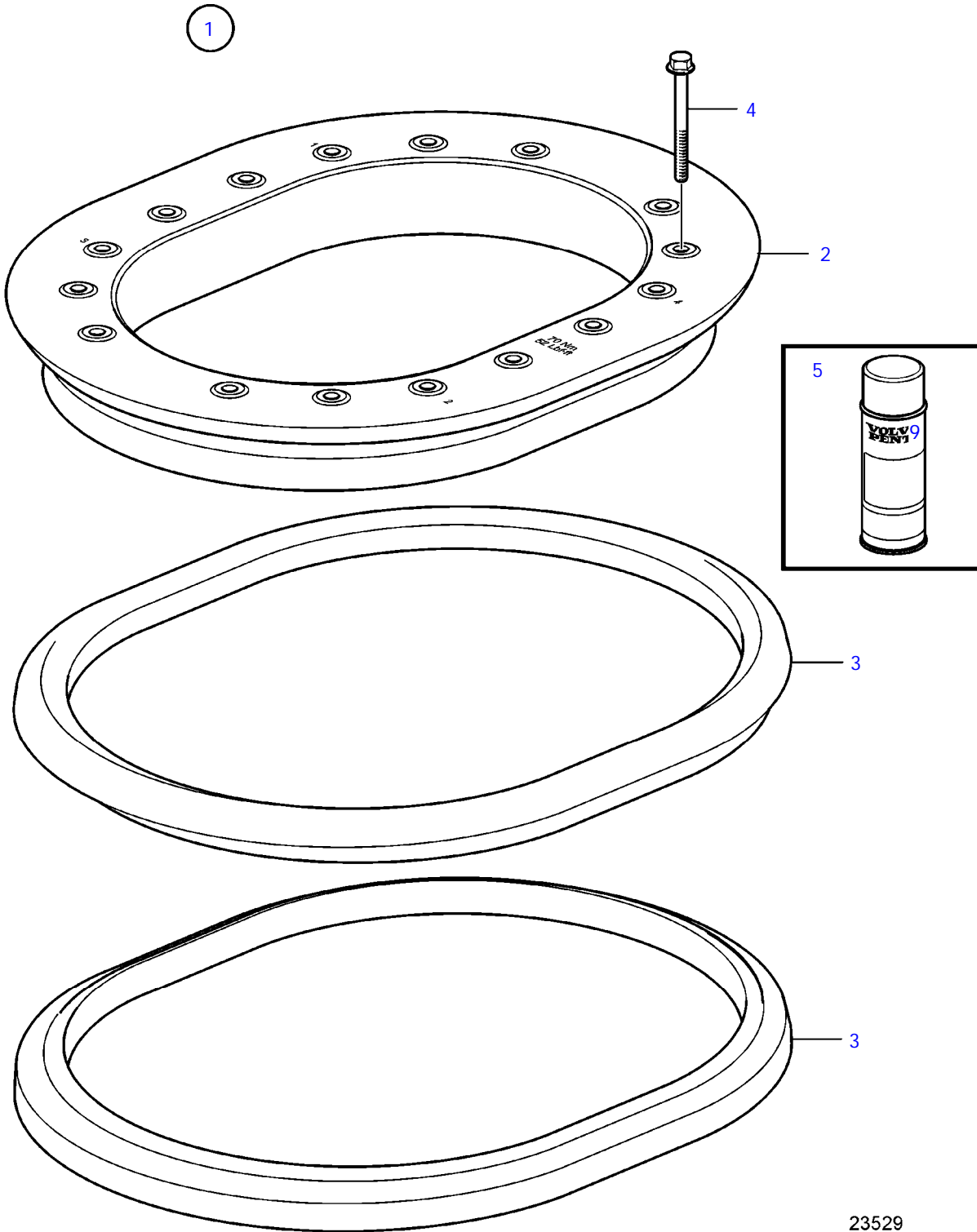


IPS-A, IPS-B, IPS-C, IPS-D, IPS-E

REF	PART NO.	QTY	DESCRIPTION	NOTES
1	3808841	1	Intermediate housing	
2	184093	1	Needle roller bushin	
3	184863	1	Needle roller bearin	
4	888659	1	Plate	
5	21419026	1	Plate	
6	984497	22	6 point socket screw	
7	21535352	2	Lip seal	
8	3808237	1	Tube	
9	955975	1	O-ring	
10	3861976	1	Gasket	
11	3861697	1	Gear segment	
12	3860364	10	Screw	
13	(3862569)	2	Guide sleeve	Obsolete part
14	21259197	1	Water inlet	
15	21259405	1	• Plate	Triple and quadruple installation.
16	21259401	1	• Water inlet	Triple and quadruple installation.



IPS-A, IPS-B, IPS-C, IPS-D, IPS-E

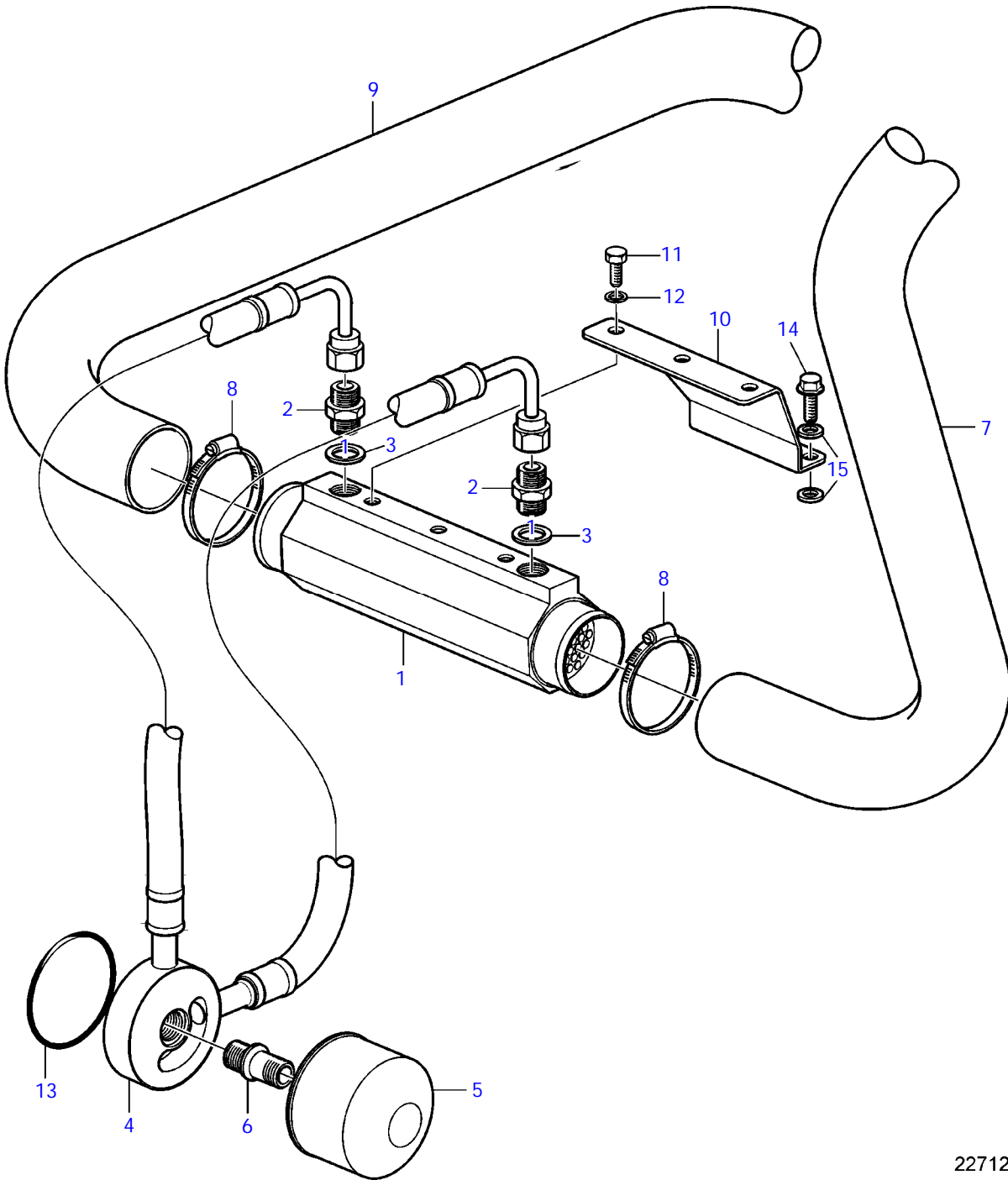


23529

IPS-A, IPS-B, IPS-C, IPS-D, IPS-E

REF	PART NO.	QTY	DESCRIPTION	NOTES
1		1	Mounting kit	Including lubricant 3817243 for rubber rings.
2	3808239	1	• Tensioning ring	
3	3861068	2	• Rubber ring	
4	983943	16	• Flange screw	L=115mm
5	9510227	1	Anti-rust agent	Use at top of clamping ring.

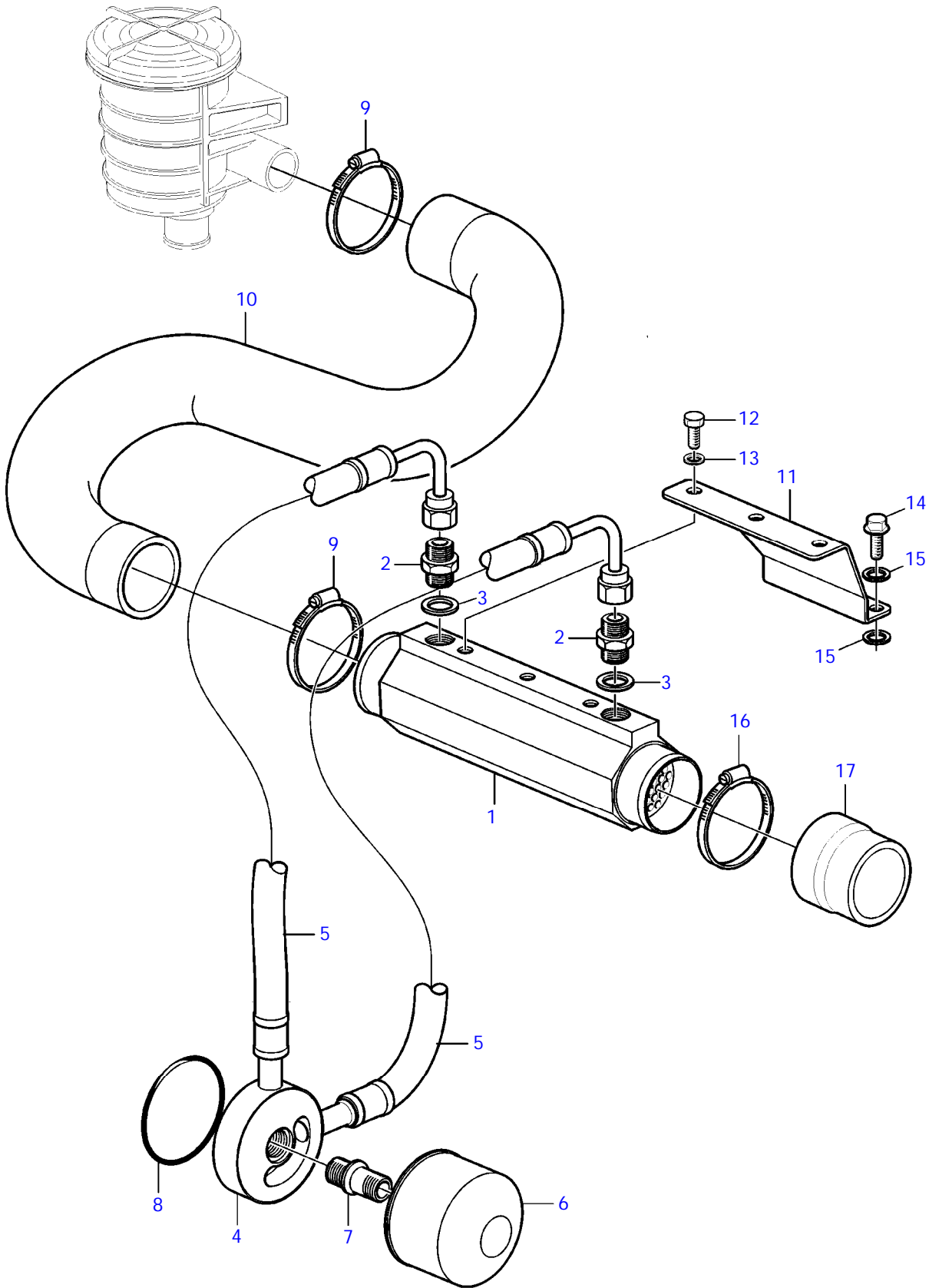
IPS-A, IPS-B, IPS-C



22712

IPS-A, IPS-B, IPS-C

REF	PART NO.	QTY	DESCRIPTION	NOTES
1	3807876	1	Oil cooler	
2	192639	2	Nipple	
3	11998	2	Gasket	
4	3841733	1	Adapter kit	Standard
	3817491	1	Adapter kit	Jackshaft
		2	Oil line	Not sold separately
5	834337	1	Oil filter	
6	3807490	1	Nipple	
7	3809100	1	Hose	Standard
	3812297	1	Hose	Exhaust riser
8	961671	4	Hose clamp	
9	3808080	1	Hose	
10	3807878	1	Bracket	
11	963566	3	Hexagon screw	L=16mm
12	941670	3	Washer	
13	925255	1	O-ring	
14	945444	2	Flange screw	L=25mm
15	3840106	4	Washer	

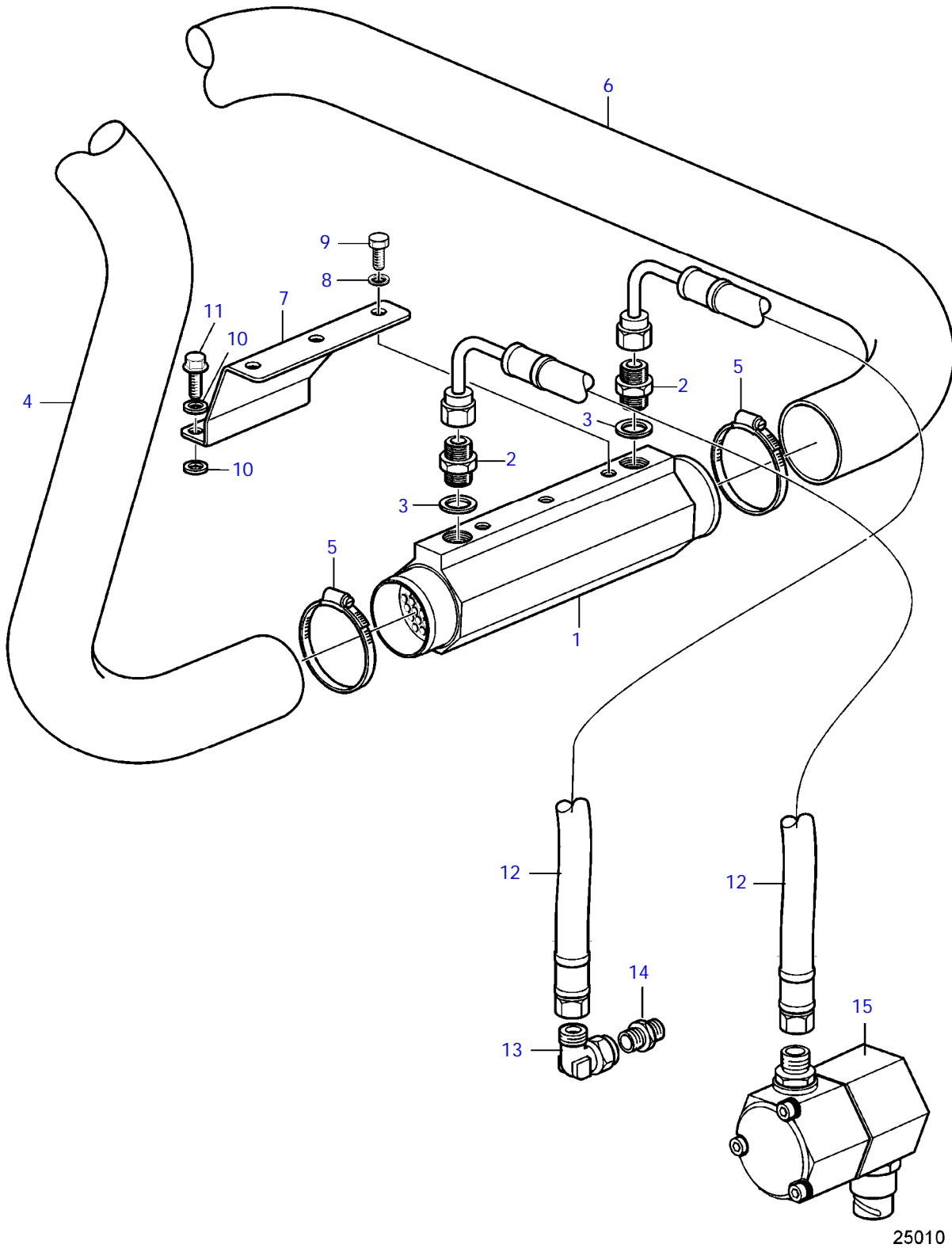


24110

IPS-C

REF	PART NO.	QTY	DESCRIPTION	NOTES
1	3807876	1	Oil cooler	
2	192639	2	Nipple	
3	11998	2	Gasket	
4	3841733	1	Adapter kit	Standard
	3817491	1	Adapter kit	Jackshaft
5		2	• Oil line	Not sold separately
6	834337	1	Oil filter	
7	3807490	1	Nipple	
8	925255	1	O-ring	
9	3854978	2	Hose clamp	
10	40005356	1	Hose	
11	3807878	1	Bracket	
12	963566	3	Hexagon screw	
13	941670	3	Washer	
14	945444	2	Flange screw	
15	3840106	4	Washer	Isolation
16	3854978	1	Hose clamp	
17	21151535	1	Hose	

IPS-D, IPS-E

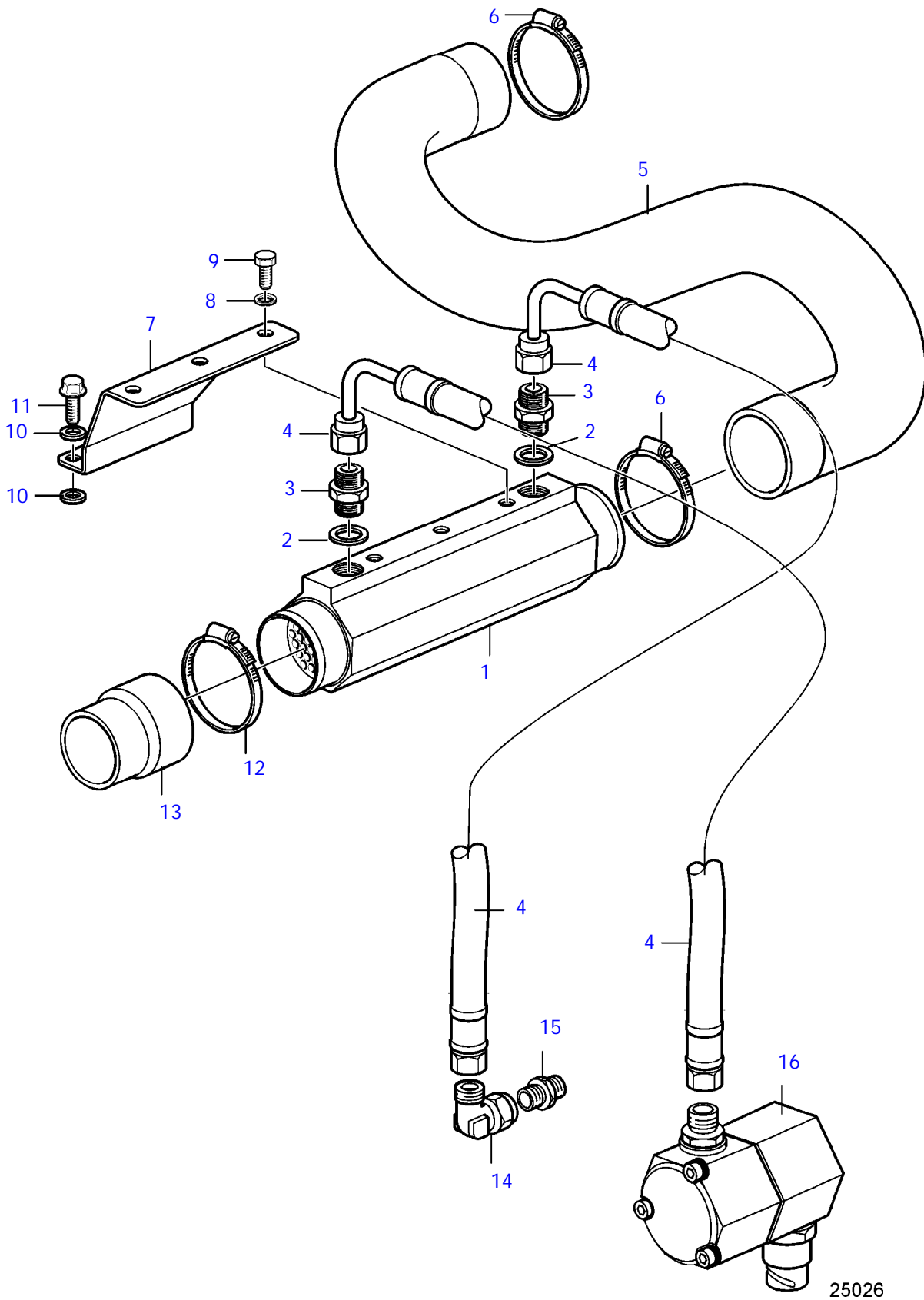


IPS-D, IPS-E

REF	PART NO.	QTY	DESCRIPTION	SEE SEC.	NOTES
1	3807876	1	Oil cooler		
2	192639	2	Nipple		
3	11998	2	Gasket		
4	3809100	1	Hose		Standard
	3812297	1	Hose		Exhaust riser
5	961671	4	Hose clamp		
6	3808080	1	Hose		
7	3807878	1	Bracket		
8	941670	3	Washer		
9	963566	3	Hexagon screw		L=16mm
10	3840106	4	Washer		
11	945444	2	Flange screw		L=25mm
12	21412615	2	Oil hose		L=500mm
	21412620	2	Oil hose		L=1396mm
	21412636	2	Oil hose		L=2056mm
13	994507	1	Elbow nipple		
14	994509	1	Nipple		
15		1	Adapter	35915	

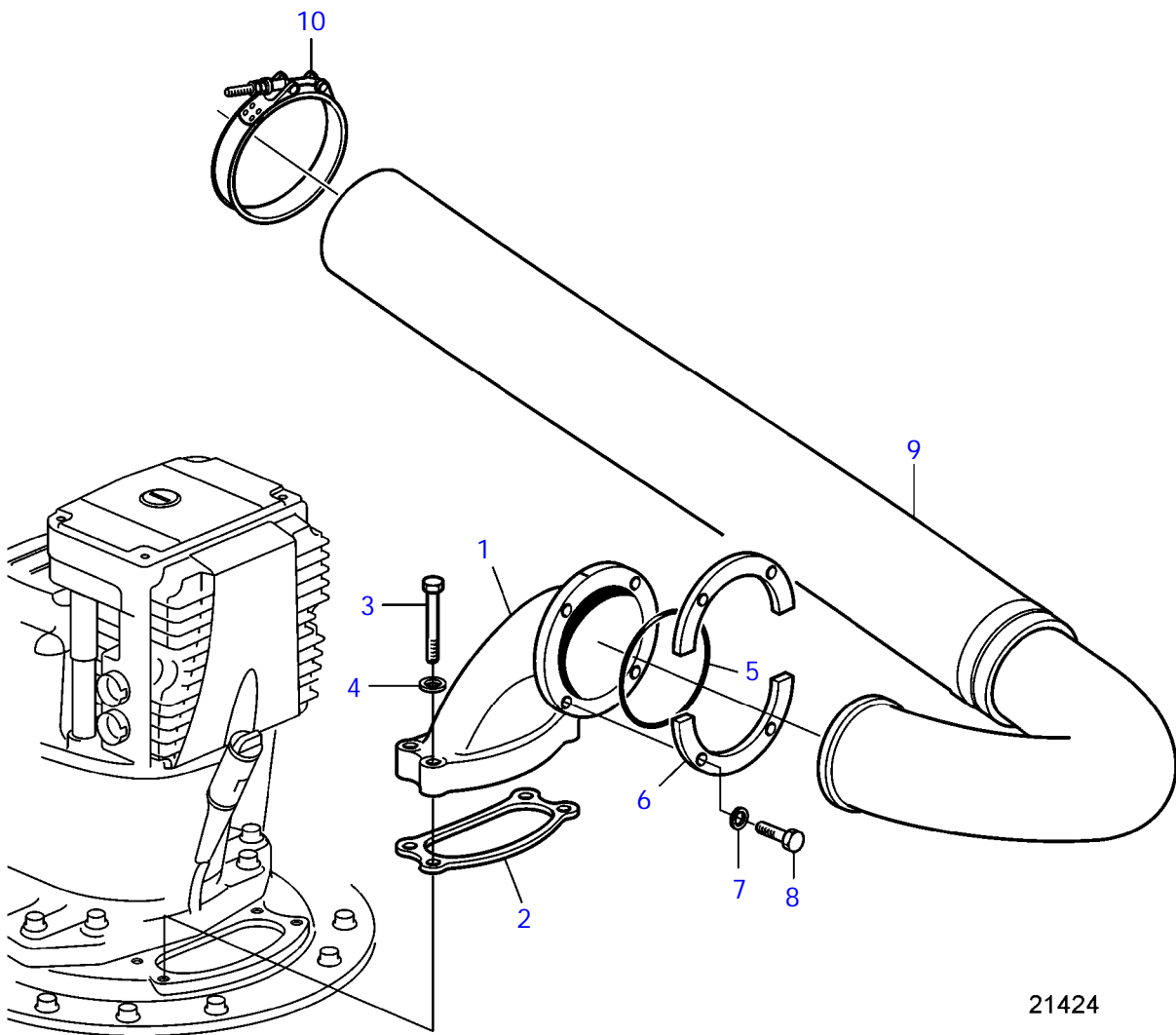


IPS-D, IPS-E



IPS-D, IPS-E

REF	PART NO.	QTY	DESCRIPTION	SEE SEC.	NOTES
1	3807876	1	Oil cooler		
2	192639	2	Nipple		
3	11998	2	Gasket		
4	21412615	2	Oil hose		L=500mm, Not sold separately
	21412620	2	Oil hose		L=1396mm
	21412636	2	Oil hose		L=2056mm
5	40005356	1	Hose		
6	3854978	2	Hose clamp		
7	3807878	1	Bracket		
8	941670	3	Washer		
9	963566	3	Hexagon screw		
10	3840106	4	Washer		Isolation
11	945444	2	Flange screw		
12	3854978	1	Hose clamp		
13	21151535	1	Hose		
14	994507	1	Elbow nipple		
15	994509	1	Nipple		
16		1	Adapter	35915	

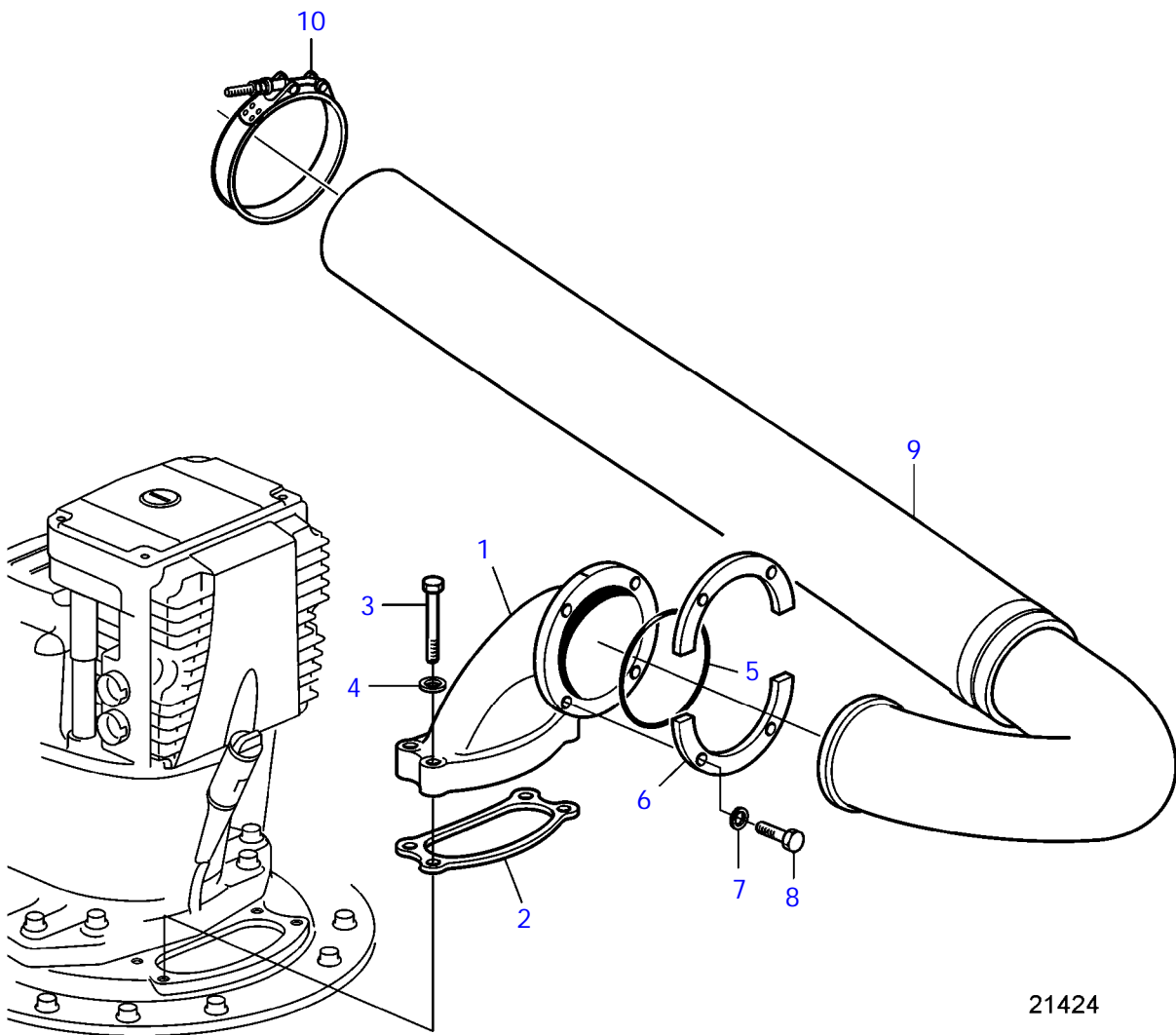


21424

IPS-A

REF	PART NO.	QTY	DESCRIPTION	NOTES
1	3861077	1	Exhaust riser	
2	3862150	1	Gasket	
3	984699	4	Hexagon screw	
4	942551	8	Washer	
5	424830	1	Sealing ring	
6	3819212	2	Flange	
7	942551	4	Washer	
8	984698	4	Hexagon screw	
9	3886136	1	Exhaust pipe kit	Std + riser, Replaced by 3887735
	3887735	1	Exhaust pipe kit	
	3842835	1	Exhaust pipe kit	Jackshaft, Replaced by 3887736
	3887736	1	Exhaust pipe kit	For jack shaft with length of 550-950mm.
	21259299	1	Exhaust pipe	For jack shaft with length of 1050-1650mm.
10	3817828	1	Hose clamp	

IPS-B, IPS-C, IPS-D, IPS-E

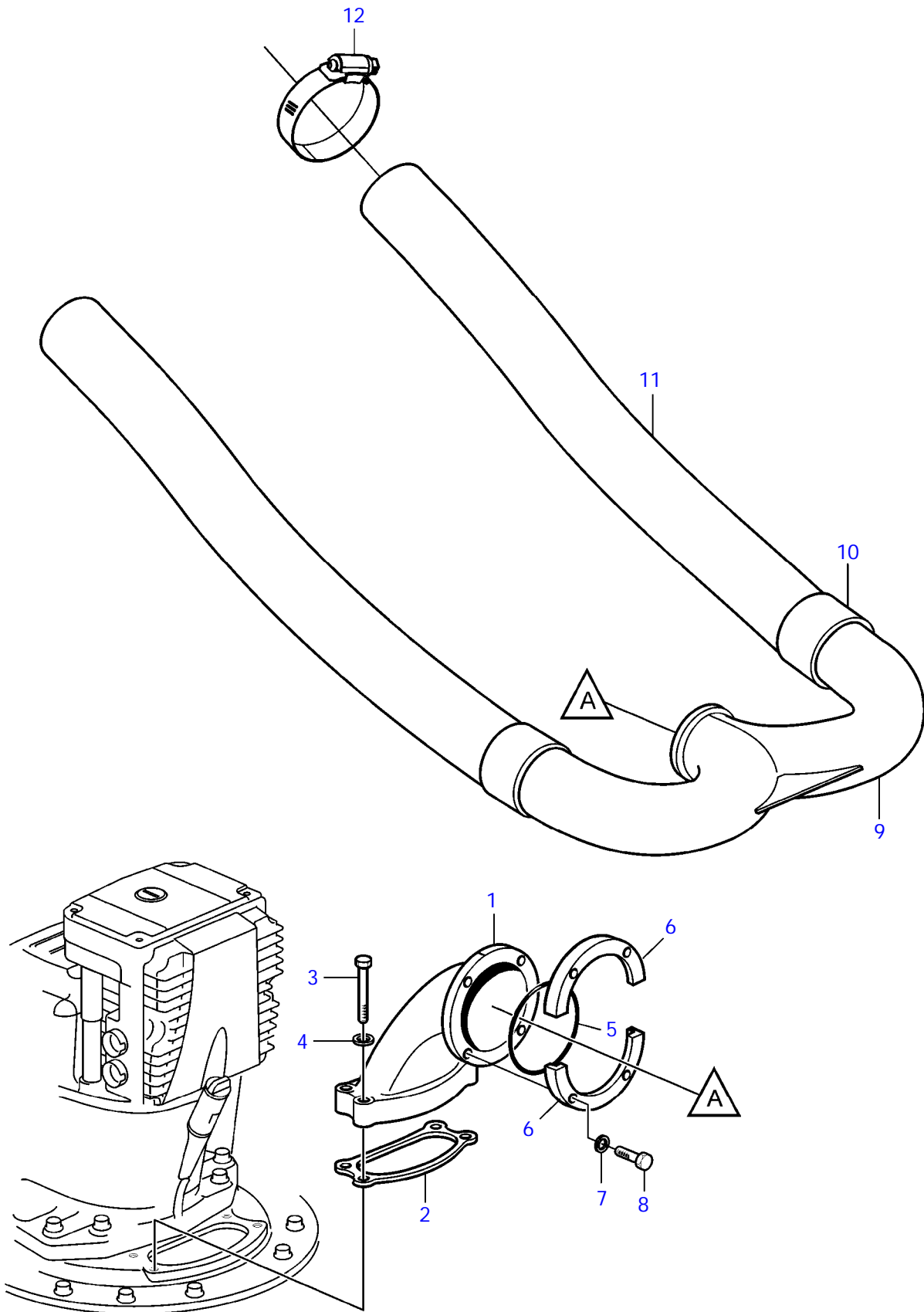


21424

IPS-B, IPS-C, IPS-D, IPS-E

REF	PART NO.	QTY	DESCRIPTION	NOTES
1	3861077	1	Exhaust riser	
2	3862150	1	Gasket	
3	984699	4	Hexagon screw	
4	942551	8	Washer	
5	424830	1	Sealing ring	
6	3819212	2	Flange	
7	942551	4	Washer	
8	984698	4	Hexagon screw	
9	3887735	1	Exhaust pipe kit	Std + riser
	3887736	1	Exhaust pipe kit	For jack shaft with length of 550-950mm.
	21259299	1	Exhaust pipe	For jack shaft with length of 1050-1650mm.
10	3817828	1	Hose clamp	

IPS-B, IPS-C, IPS-D, IPS-E

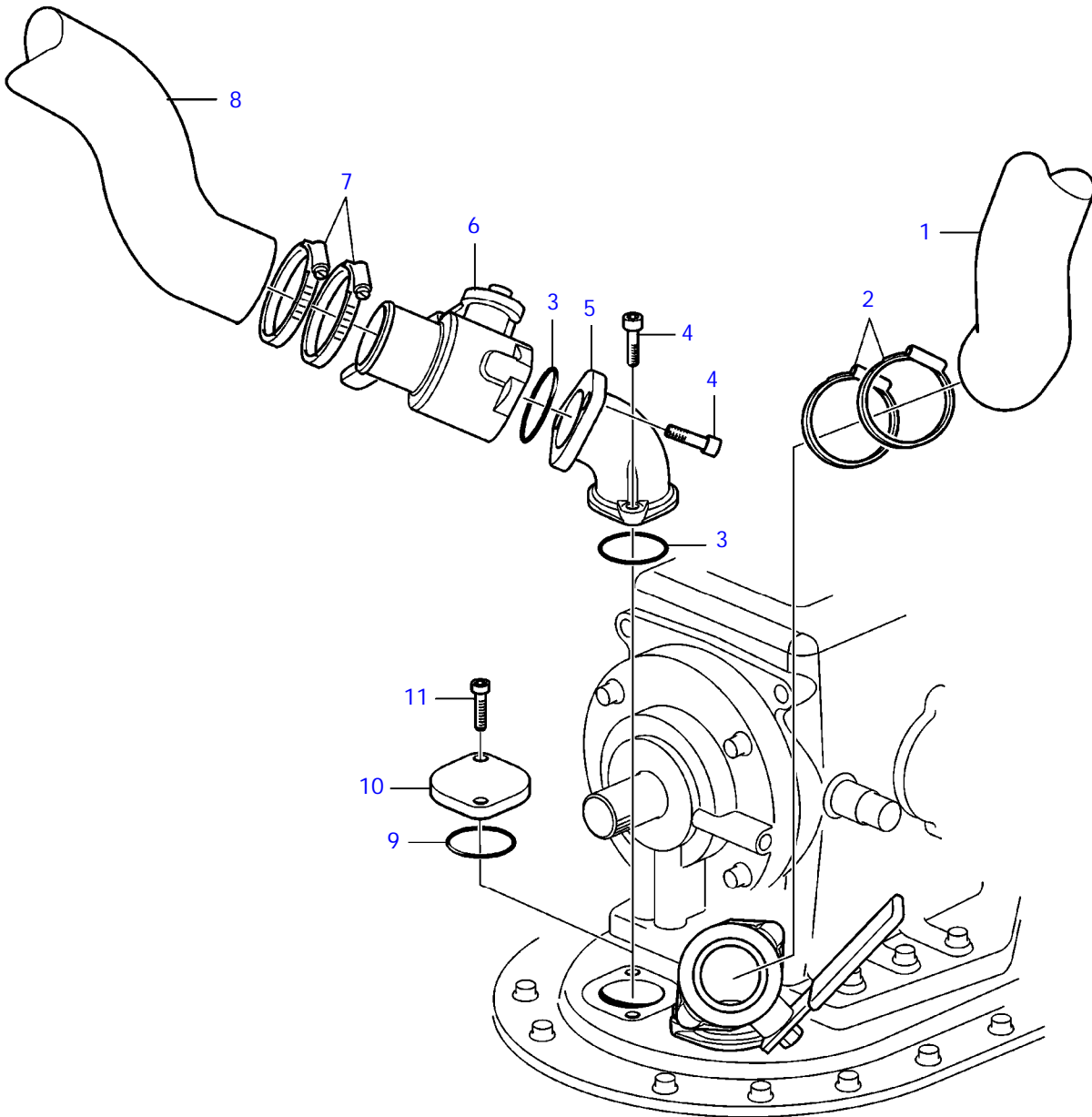


24109





IPS-A, IPS-B, IPS-C, IPS-D, IPS-E



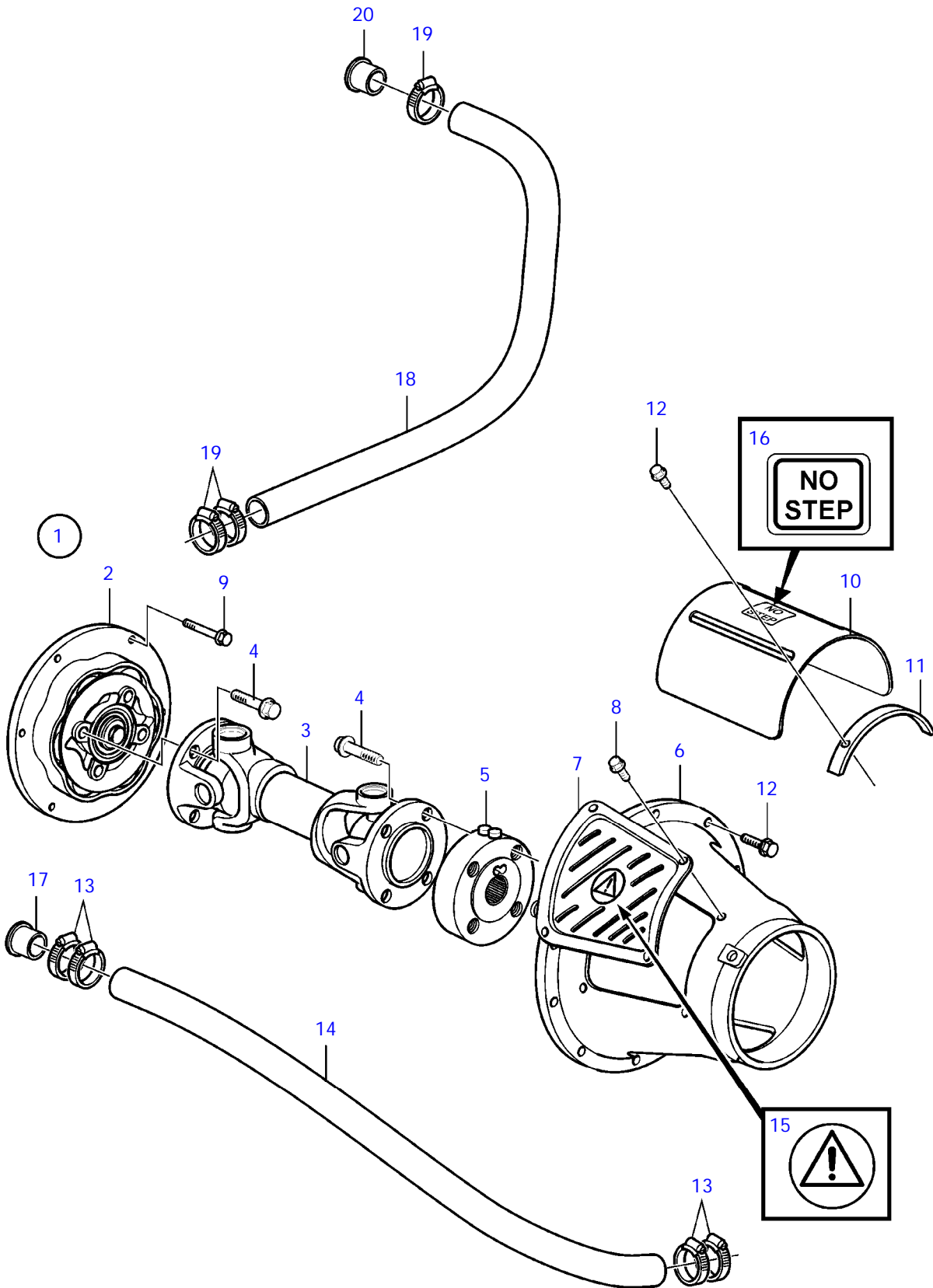
23530

IPS-A, IPS-B, IPS-C, IPS-D, IPS-E
-----------------------------------

REF	PART NO.	QTY	DESCRIPTION	SEE SEC.	NOTES
1		1	Hose	21420	
2	961672	2	Hose clamp		
3	925069	4	O-ring		
4	946541	8	Hex. socket screw		
5	3840027	2	Tube bend		
6	3840048	2	Valve		
7	961672	2	Hose clamp		
8		1	Hose	21420	
9	925069	1	O-ring		Ratio 2.08:1
10	3883365	1	Cover		Ratio 2.08:1
11	946541	2	Hex. socket screw		Ratio 2.08:1



IPS-A, IPS-B, IPS-C, IPS-D, IPS-E

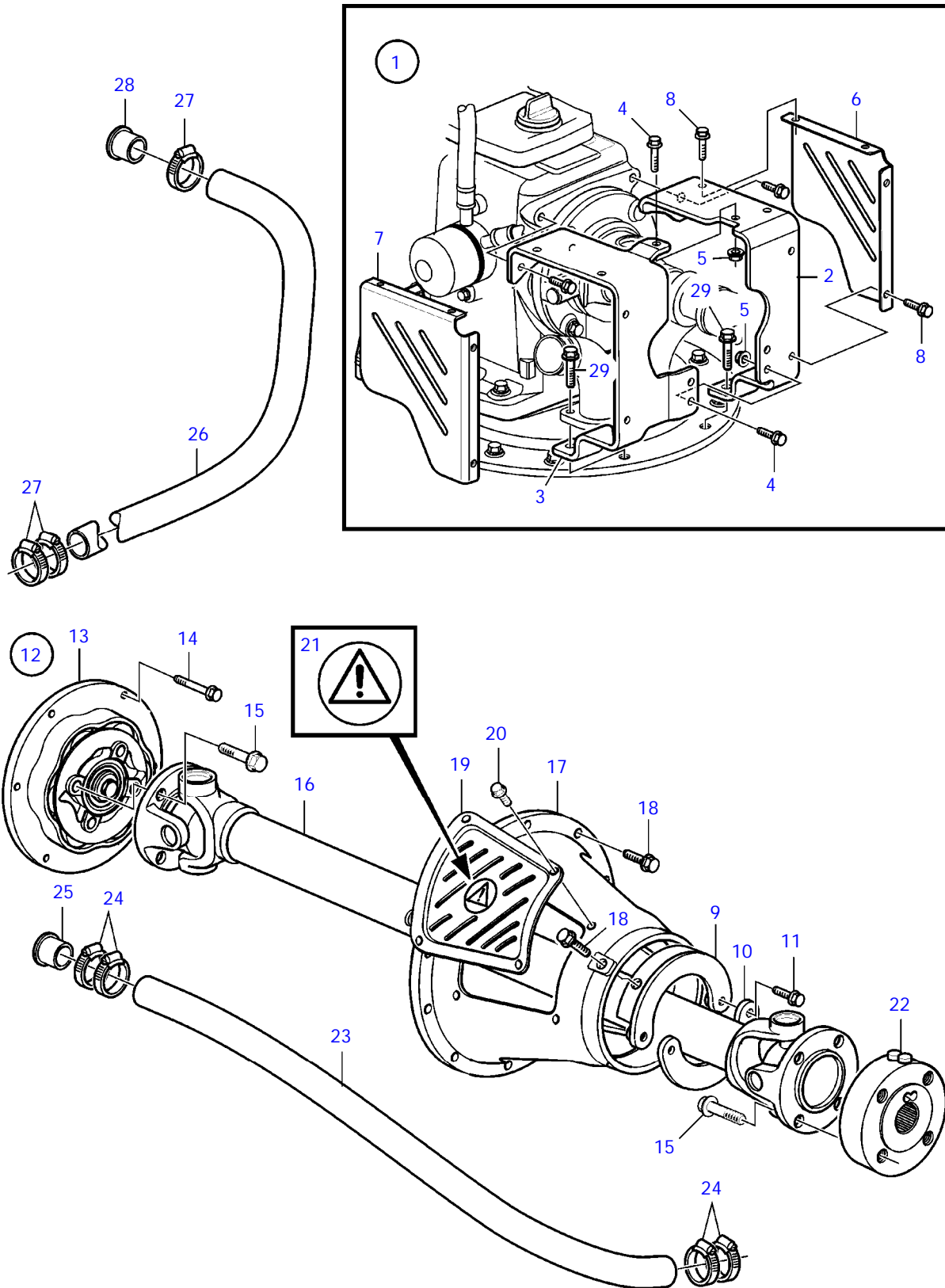


25220

IPS-A, IPS-B, IPS-C, IPS-D, IPS-E

REF	PART NO.	QTY	DESCRIPTION	NOTES
1	3818451	1	Clutch	Replaced by 3847980
	3847980	1	Clutch	Replaced by 21111686
	21111686	1	Flexible coupling	
2	21509615	1	• Roller kit	Kit includes 6 pcs rubber rollers
3	3861048	X	Propeller shaft	L=335mm
4	465826	8	Screw	
5	3862153	1	Flange	
6	3861047	1	Protecting casing	
7	3862871	2	Protecting screen	
8	968476	8	Flange screw	L=13mm
9	965186	8	Flange screw	L=50mm
10	3862515	1	Protecting plate	
11	3862869	1	Tensioning ring	
12	946752	14	Flange screw	L=35mm
13	961672	4	Hose clamp	Std/Riser (3584038)
14	3819570	1	Hose	Replaced by 1140670
	1140670	X	Exhaust hose	
15	3817024	2	Decal	
16	841144	1	Decal	
17	3883983	1	Sleeve	Ratio 2.08:1
18	3819572	1	Hose	Ratio 1.94:1, Ratio 1.82:1, Std/Riser, Replaced by 1140670
	1140670	1	Exhaust hose	L=780mm
19	961672	3	Hose clamp	Ratio 1.94:1, Ratio 1.82:1
20	3819914	1	Sleeve	Ratio 1.94:1, Ratio 1.82:1

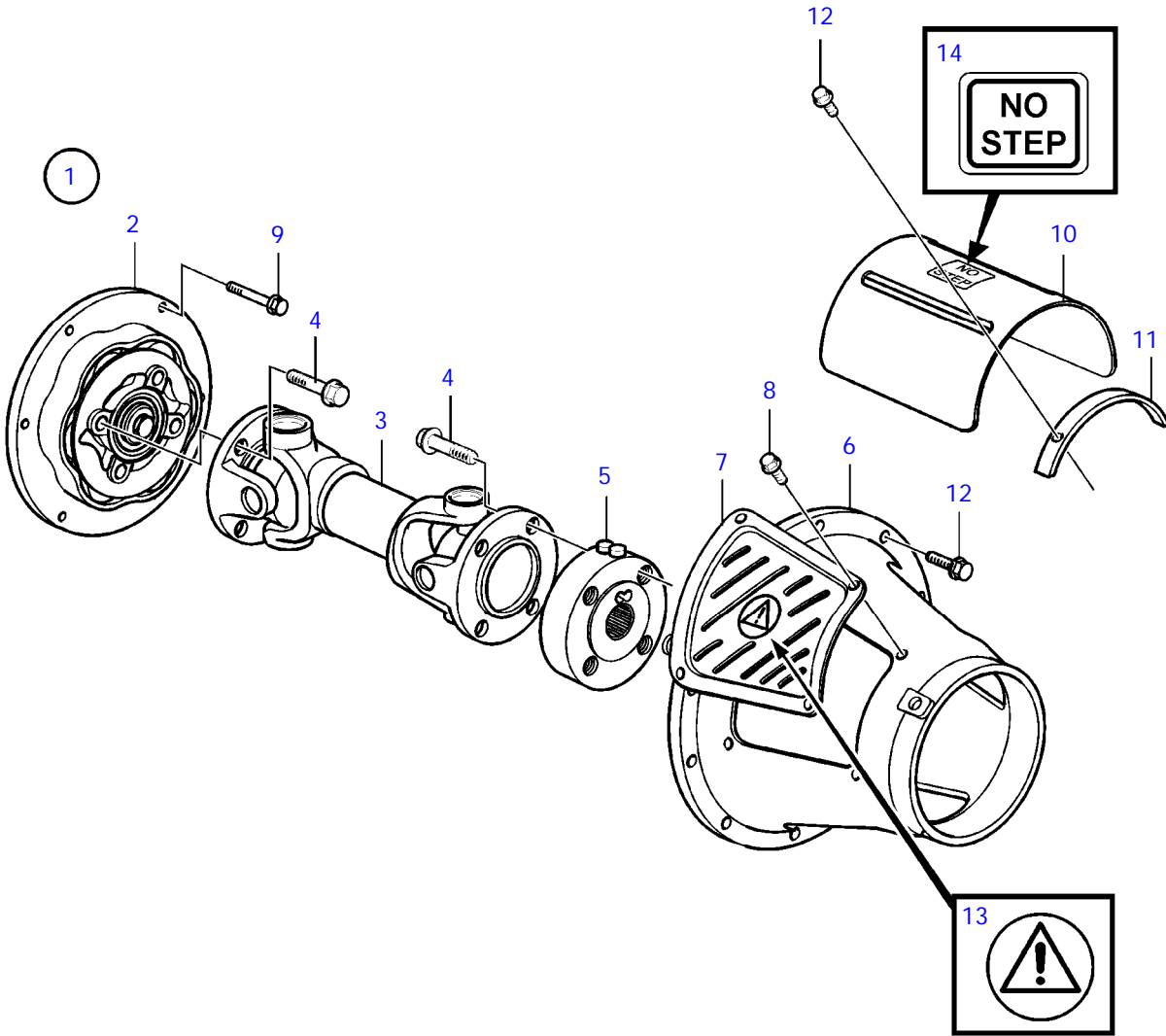
IPS-A, IPS-B, IPS-C, IPS-D, IPS-E



25221

IPS-A, IPS-B, IPS-C, IPS-D, IPS-E

REF	PART NO.	QTY	DESCRIPTION	SEE SEC.	NOTES
1		1	Safety catch		
2	3812835	1	• Bracket		Port
3	3812812	1	• Bracket		Starboard
4	946472	5	• Flange screw		
5	971095	3	• Flange nut		
6	21496784	1	• Cardboard tube		
7	3812863	1	• Cardboard tube		
8	946173	8	• Flange screw		
9	3594012	1	• Safety catch		(3817570)
10	3817572	1	• Plate		
11	946472	2	• Flange screw		
12	3818451	1	Clutch		Replaced by 3847980
	3847980	1	Clutch		Replaced by 21111686
	21111686	1	Flexible coupling		
13	21509615	1	• Roller kit		Kit includes 6 pcs rubber rollers
14	965186	8	Flange screw		
15	465826	8	Screw		
16	3818295	1	Propeller shaft		L=570-650mm
	3818293	1	Propeller shaft		L=670-750mm
	3818292	1	Propeller shaft		L=770-850mm
	3818291	1	Propeller shaft		L=870-950mm
	3818290	1	Propeller shaft		L=970-1050mm
	3818289	1	Propeller shaft		L=1070-1150mm
	3818288	1	Propeller shaft		L=1170-1250mm
	3817454	1	Propeller shaft		L=1270-1350mm
	3817453	1	Propeller shaft		L=1370-1450mm
	3817452	1	Propeller shaft		L=1470-1550mm
	3817451	1	Propeller shaft		L=1570-1650mm
	3817450	1	Propeller shaft		L=1670-1750mm
17	3861047	1	Protecting casing		
18	946752	16	Flange screw		M10x35mm
19	3862871	2	Protecting screen		
20	968476	8	Flange screw		
21	3817024	2	Decal		
22	3862153	1	Flange		
23	3819573	1	Hose		Replaced by 1140670
	1140670	X	Exhaust hose		
24	961672	4	Hose clamp		
25	3883983	1	Sleeve		Ratio 2.08:1
26	3819572	1	Hose		Ratio 1.94:1, Ratio 1.82:1, Replaced by 1140670
	1140670	1	Exhaust hose		
27	961672	3	Hose clamp		Ratio 1.94:1, Ratio 1.82:1
28	3819914	1	Sleeve		Ratio 1.94:1, Ratio 1.82:1
29		2	Screw	21416	



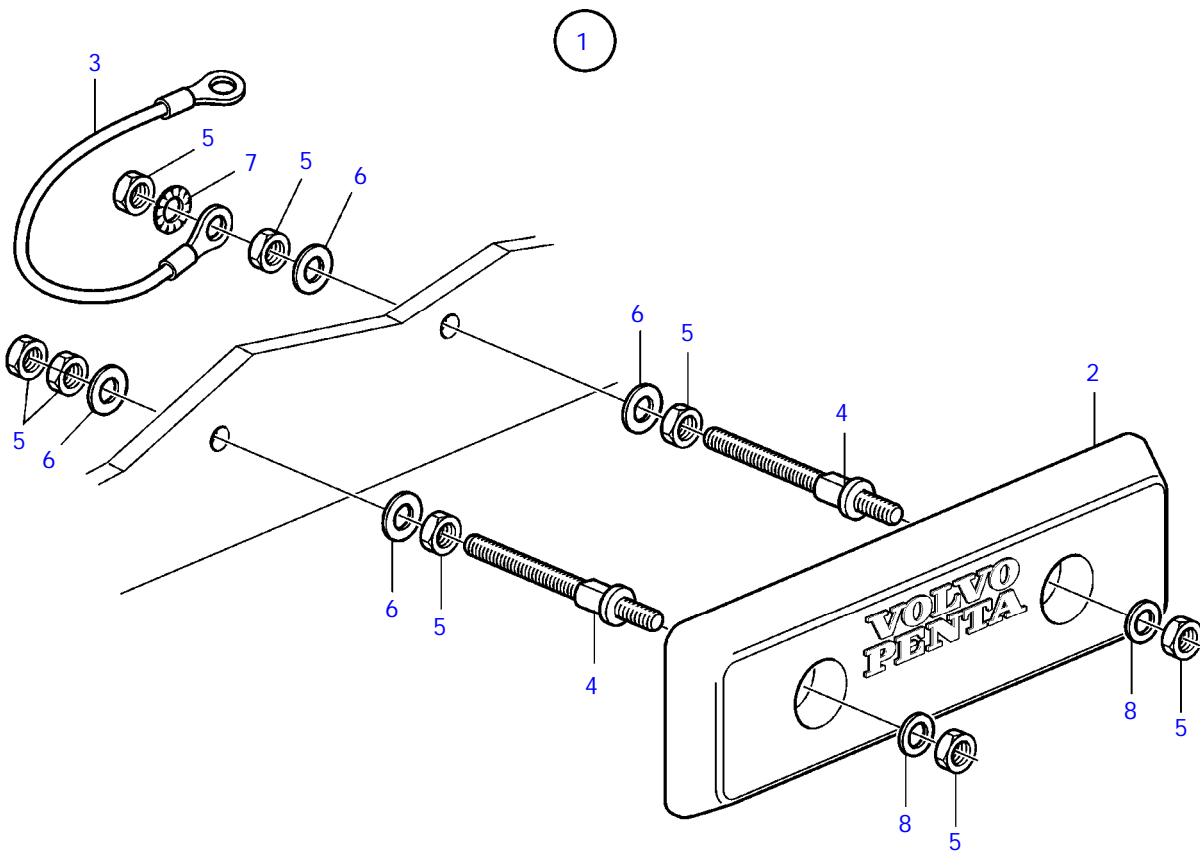
25222

IPS-B

REF	PART NO.	QTY	DESCRIPTION	NOTES
1	3595235	1	Flexible coupling	
2	21509615	1	• Roller kit	Kit includes 6 pcs rubber rollers
3	3861048	1	Propeller shaft	L=335mm
4	465826	8	Screw	
5	3862153	1	Flange	
6	3861047	1	Protecting casing	
7	3862871	2	Protecting screen	
8	968476	8	Flange screw	
9	965186	6	Flange screw	
10	3862515	1	Protecting plate	
11	3862869	1	Tensioning ring	
12	946752	11	Flange screw	
13	3817024	2	Decal	
14	841144	1	Decal	



IPS-A, IPS-B, IPS-C, IPS-D, IPS-E

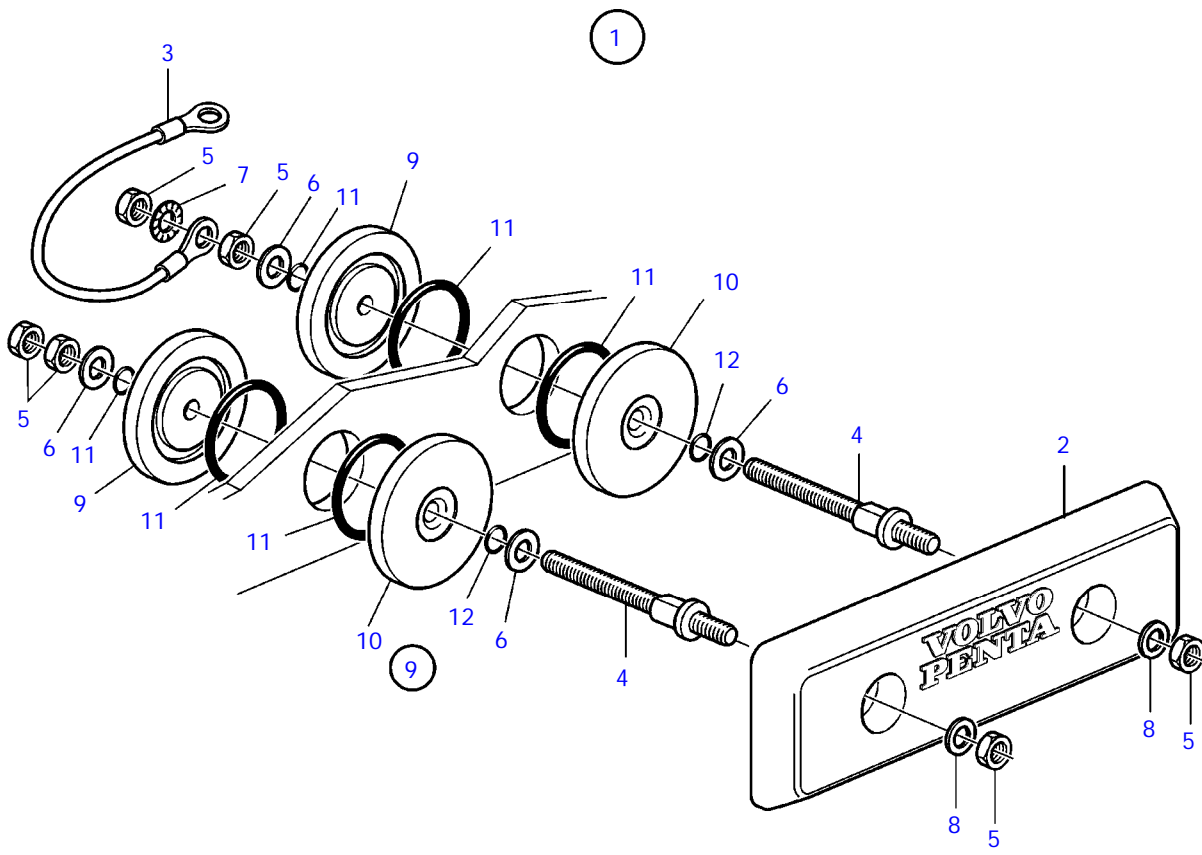


24906

IPS-A, IPS-B, IPS-C, IPS-D, IPS-E

REF	PART NO.	QTY	DESCRIPTION	SEE SEC.	NOTES
1	21211794	1	Anode kit		
2	40005875	1	• Anode		For fresh, brackish and saltwater
			• Bulletin P-44-4-2	P-44-4-2-EN	Anodes for Volvo Penta IPS Applications
3	3593888	1	• Wiring harness		
4	21211781	2	• Rod		
5	991657	6	• Hexagon nut		
6	991659	4	• Washer		
7	991660	1	• Toothed washer		
8	991658	2	• Washer		

IPS-A, IPS-B, IPS-C, IPS-D, IPS-E

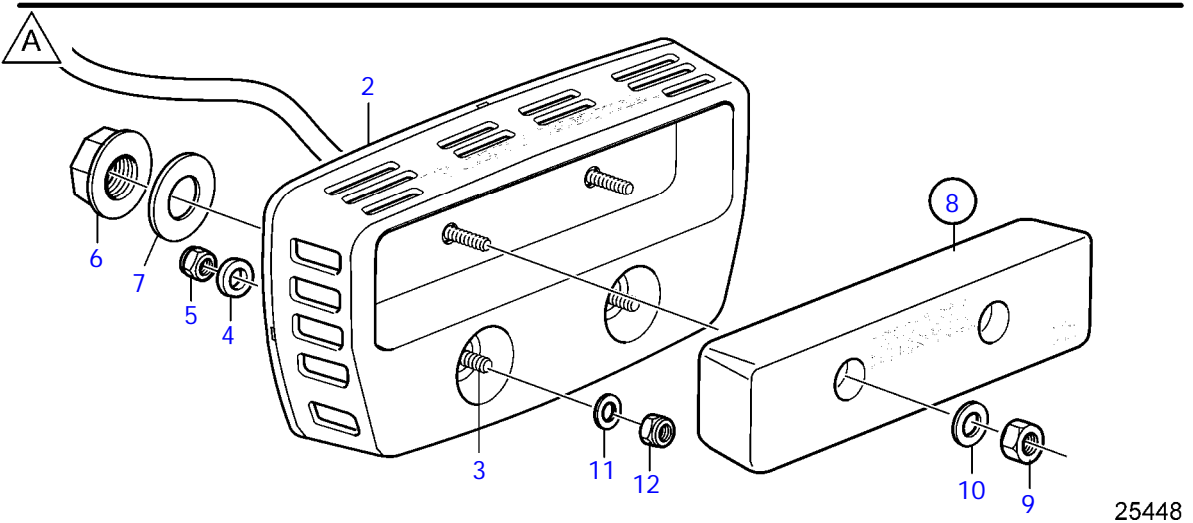
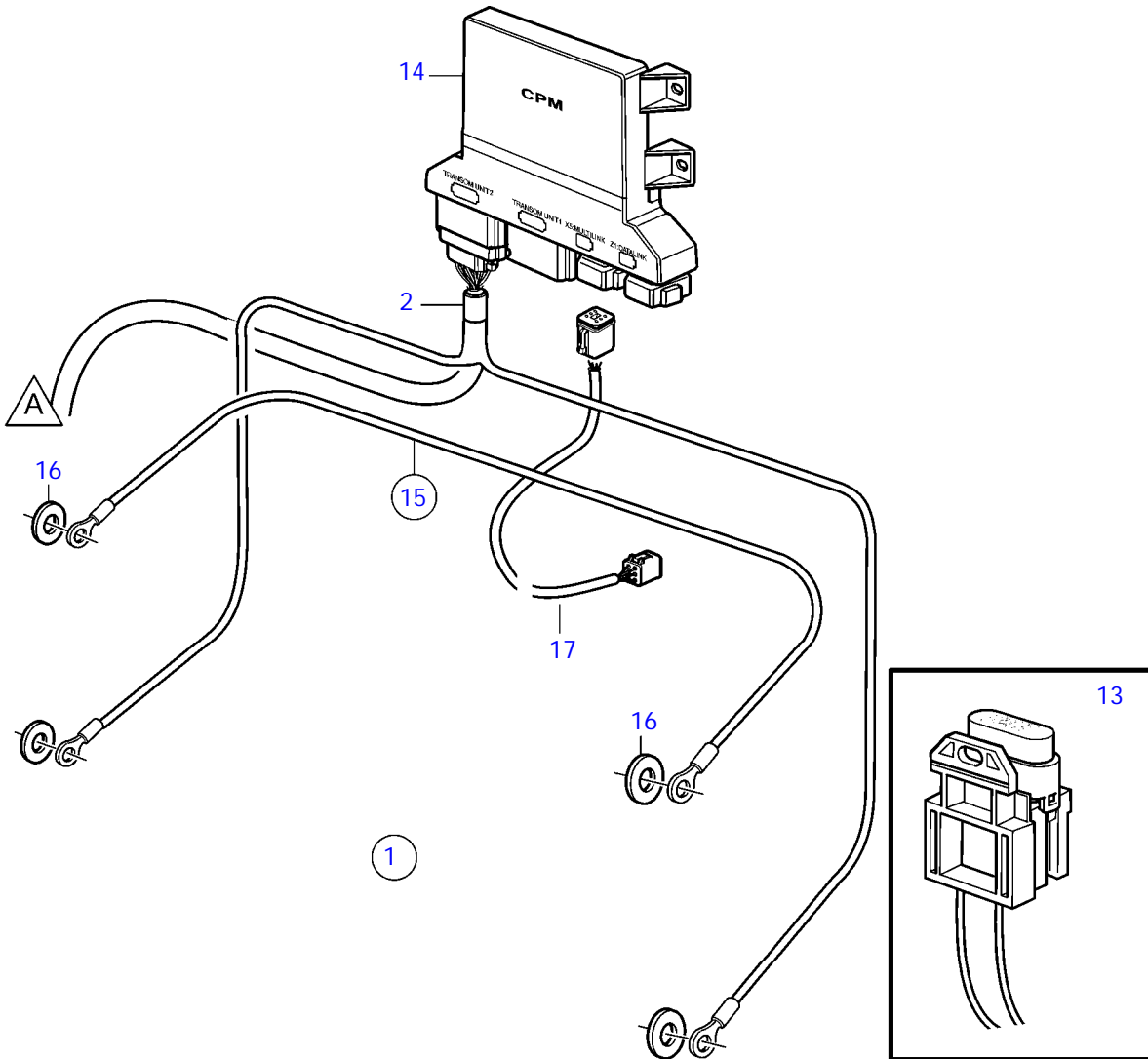


24907

IPS-A, IPS-B, IPS-C, IPS-D, IPS-E

REF	PART NO.	QTY	DESCRIPTION	SEE SEC.	NOTES
1	3888063	1	Anode kit		
2	40005875	1	• Anode		For fresh, brackish and saltwater
			• Bulletin P-44-4-2	P-44-4-2-EN	Anodes for Volvo Penta IPS Applications
3	3593888	1	• Wiring harness		
4	40005496	2	• Rod		
5	991657	5	• Hexagon nut		
6	991659	4	• Washer		
7	991660	1	• Toothed washer		
8	991658	2	• Washer		
9	21211763	1	Anode kit		
10	21211765	4	• Shim		
11	975692	4	• O-ring		
12	975652	4	• O-ring		

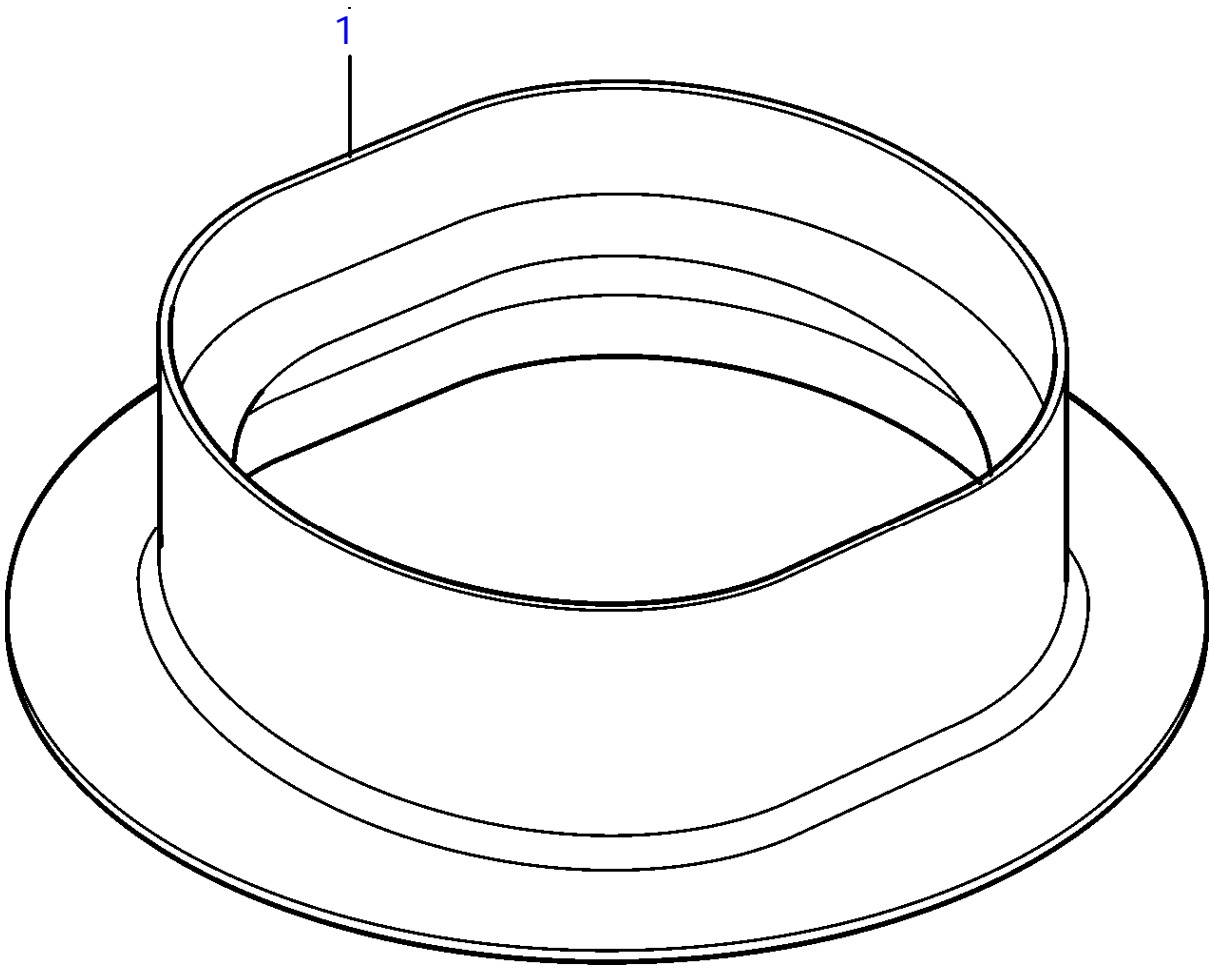
IPS-A, IPS-B, IPS-C, IPS-D, IPS-E



IPS-A, IPS-B, IPS-C, IPS-D, IPS-E

REF	PART NO.	QTY	DESCRIPTION	NOTES
1	21205514	1	Protection against c, complete	
2	21174473	1	• Protection against c, kit	
3	21106334	4	• Stud	
4	21158077	4	• Gasket	
5	971089	4	• Lock nut	
6	21155192	1	• Hull fitting	
7	21157128	1	• Shim	
8	21174476	1	• Anode kit, zinc	
9	991657	2	• • Hexagon nut	
10	991658	2	• • Washer	
11	991658	2	• Washer	
12	991657	2	• Hexagon nut	
13	873852	1	• Fuse holder	5A
14	21174510	1	• Control unit	
15	21200402	1	• Cable kit	
16	993419	2	• • Washer	
17	3588206	1	• Cable kit	Multilink.

IPS-A, IPS-B, IPS-C, IPS-D, IPS-E

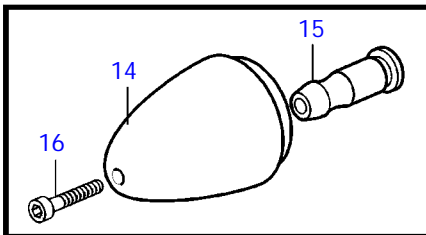
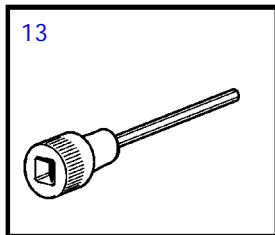
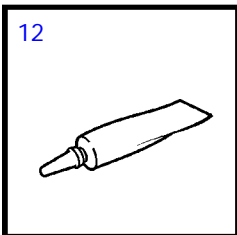
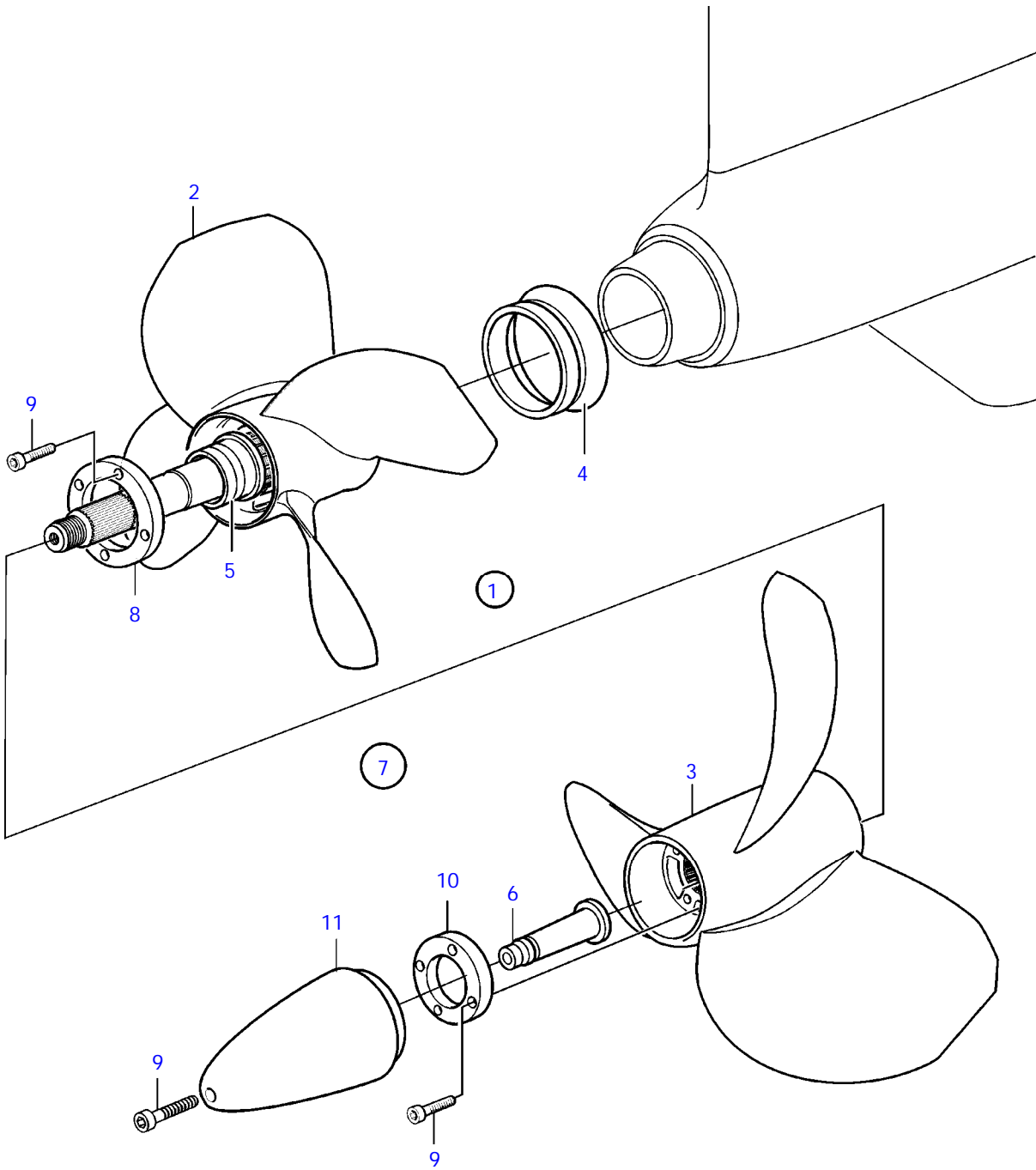


22772





IPS-A, IPS-B, IPS-C, IPS-D, IPS-E



25478

IPS-A, IPS-B, IPS-C, IPS-D, IPS-E

REF	PART NO.	QTY	DESCRIPTION	SEE SEC.	NOTES
1	21368025	1	Propeller kit		Set TS3
	21368016	1	Propeller kit		Set TS4
	21258473	1	Propeller kit		Set TS5
	21368012	1	Propeller kit		Set TS6
	3861092	1	Propeller kit		Set T2
			• Bulletin P-44-7-5	P-44-7-5-EN	Propeller Update, T-series T2-T6
			• Bulletin P-44-7-9	P-44-7-9-EN	Propeller Update, T-series and G-series
1	3861095	1	Propeller kit		Set T3
	3861098	1	Propeller kit		Set T4
	3861101	1	Propeller kit		Set T5
	3861104	1	Propeller kit		Set T6
	3861107	1	Propeller kit		Set T7
			• Bulletin P-44-7-9	P-44-7-9-EN	Propeller Update, T-series and G-series
1	3861110	1	Propeller kit		Set T8
	3861113	1	Propeller kit		Set T9
	3861116	1	Propeller kit		Set T10
2	21368027	1	• Propeller		TS3, rear
	21368018	1	• Propeller		TS4, rear
	21258475	1	• Propeller		TS5, rear
	21368014	1	• Propeller		TS6, rear
	3861094	1	• Propeller		T2, rear
	3861097	1	• Propeller		T3, rear
	3861100	1	• Propeller		T4, rear
	3861103	1	• Propeller		T5, rear
	3861106	1	• Propeller		T6, rear
	3861109	1	• Propeller		T7, rear
	3861112	1	• Propeller		T8, rear
	3861115	1	• Propeller		T9, rear
	3861118	1	• Propeller		T10, rear
3	21368026	1	• Propeller		TS3, front
	21368017	1	• Propeller		TS4, front
	21258474	1	• Propeller		TS5, front
	21368013	1	• Propeller		TS6, front
	3861093	1	• Propeller		T2, front
	3861096	1	• Propeller		T3, front
	3861099	1	• Propeller		T4, front
	3861102	1	• Propeller		T5, front
	3861105	1	• Propeller		T6, front
	3861108	1	• Propeller		T7, front
	3861111	1	• Propeller		T8, front
	3861114	1	• Propeller		T9, front
	3861117	1	• Propeller		T10, front
4	3862454	1	Ring		
5	3861087	1	Lock nut		
6	21293480	1	Propeller nut		
7	21297787	1	Spinner		
8	3861209	1	• Lock ring		
9	963699	9	• Hex. socket screw		
10	3861088	1	• Lock plate		
11	21293493	1	• Spinner		
12	828250	2	• Lubricating grease		
			• Bulletin P-18-4-6	P-18-4-6-EN	Water resistant grease for grease gun
13	3863070	1	• Tool		
14	3886126	1	Spinner		Earlier production
15	3861207	1	Propeller nut		M10, Earlier production
16	3862108	1	Hex. socket screw		M10, Earlier production

IPS-A, IPS-B, IPS-C, IPS-D, IPS-E

REF	PART NO.	QTY	DESCRIPTION	NOTES
1	3812357	1	Gasket kit	Lower
	3861203	1	• Nut	
	3842290	1	• Sealing ring kit	(3819241)
	3842286	1	• Sealing ring	(3819239)
	3842288	1	• Sealing ring	
	945719	1	• Retainer	
	925096	2	• O-ring	
	949656	1	• O-ring	
	3812356	1	Gasket kit	Upper
	6842273	1	• Lip seal	
	969011	3	• Gasket	
	969074	1	• Round nut	
	925262	1	• O-ring	
	925260	1	• O-ring	
	955997	1	• O-ring	
	955989	5	• O-ring	
	969073	2	• Round nut	
	3812359	2	• Sealing kit	
	977891	2	• O-ring	
	3812355	2	• Sealing kit	
	422413	6	• Sealing ring	
	925094	2	• O-ring	
	925255	1	• O-ring	
	976109	2	• O-ring	
	925058	1	• O-ring	
	949659	2	• O-ring	
	925263	1	• O-ring	
	969011	1	• Gasket	
	947282	1	• Gasket	
	925258	1	• O-ring	
	949657	1	• O-ring	
	3861976	1	• Gasket	
	955975	1	• O-ring	



--

DESCRIPTION	SEE SEC.	NOTES
Repair Kits	7406	IPS-A, IPS-B, IPS-C, IPS-D, IPS-E



REF	DESCRIPTION	SEE SEC.
44	Transmissions	44
99	Repair Kits	99