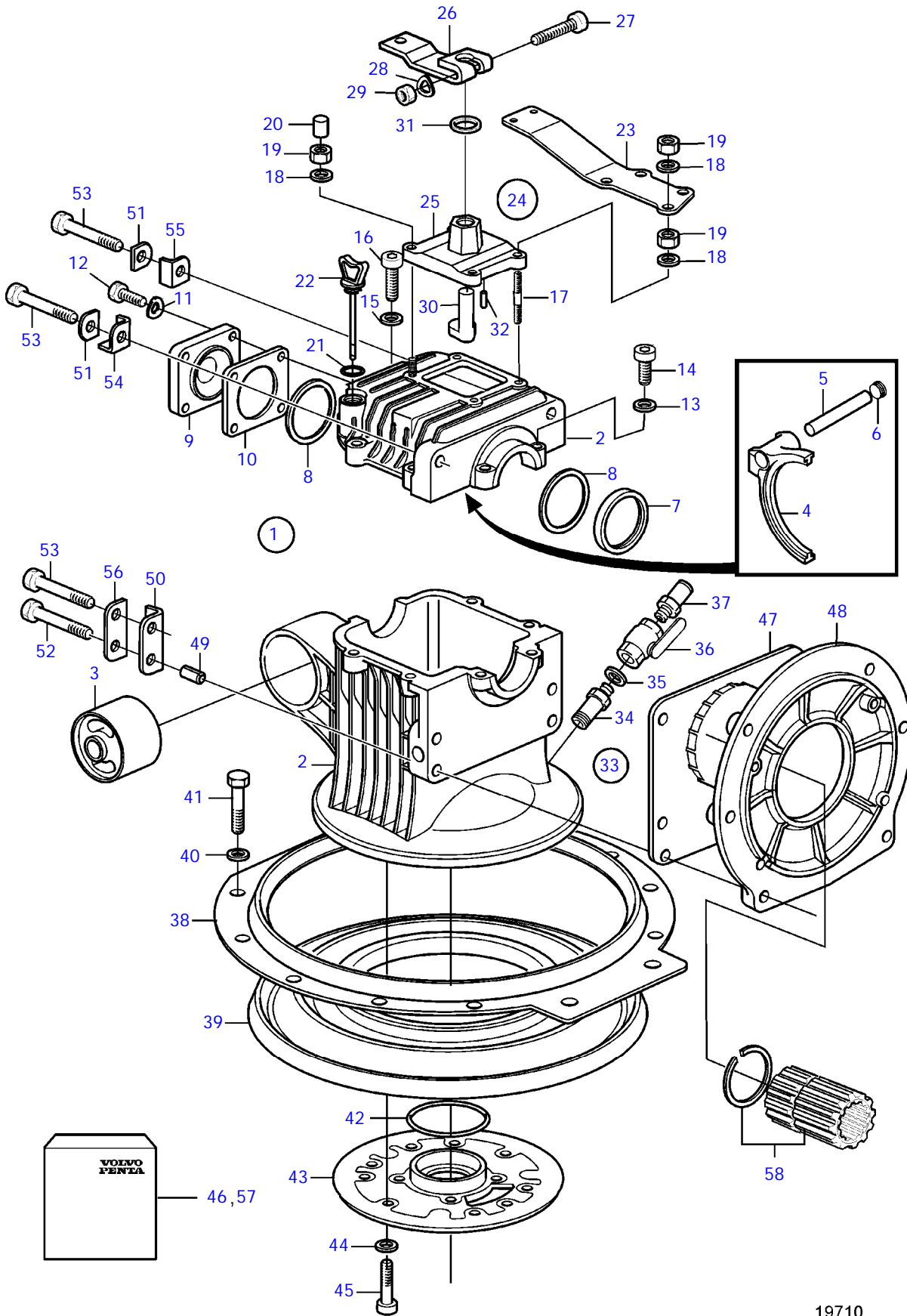


MS25S-A, MS25SR-A



19710

MS25S-A, MS25SR-A

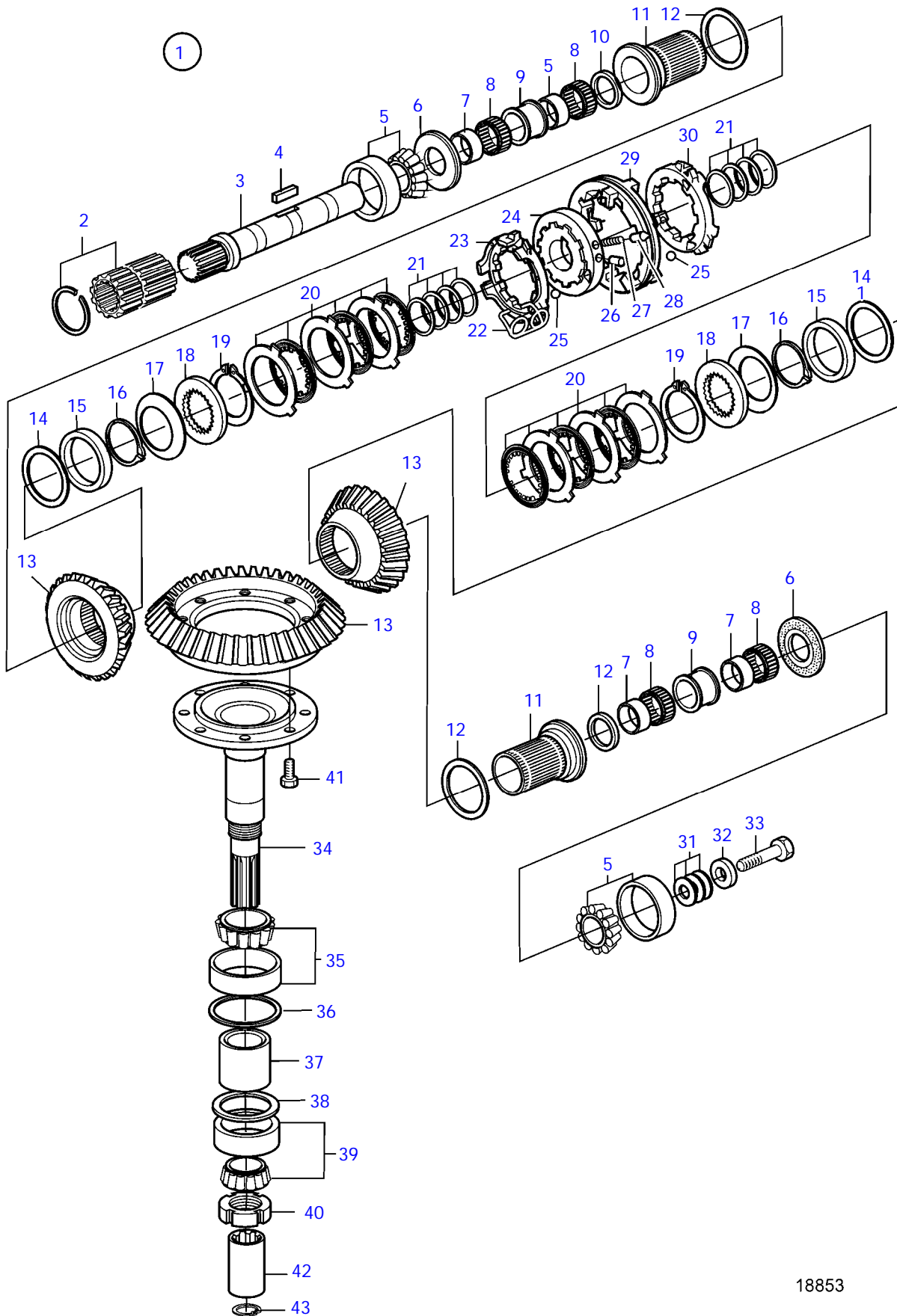
REF	PART NO.	QTY	DESCRIPTION	SEE SEC.	NOTES
1	3583352	1	Upper gear		
			•		
			•	4762	
2	3583491	1	• Housing		
3	3583321	1	• Rubber bushing		Replaced by 3586700
	3586700	1	• Rubber bushing		
4	3582551	1	• Shift yoke		Replaced by service kit 40005267
	40005267	1	• Gear changing unit, shift mechanism		Includes shift mechanism 3849903, shaft 3849909 and fork 3593595.
5	3582463	1	• Fork shaft		Replaced by service kit 40005267
6	3581973	1	• Plug		
7	3583322	1	• Sealing		
8	948298	X	• Shim		
	948299	X	• Shim		
	3582568	X	• Shim		TH=0,20mm
	3582568	X	• Shim		TH = 0,30mm
	948300	X	• Shim		TH = 0,50mm, (3582569)
9	3582922	1	• Cover		
10	3582557	1	• Gasket		
11	941907	4	• Spring washer		
12	955294	4	• Hexagon screw		
13	941907	6	• Spring washer		
14	955298	6	• Hexagon screw		
15	941907	2	• Spring washer		
16	955302	2	• Hexagon screw		
17	980289	4	• Stud		
18	941907	6	• Spring washer		
19	955782	6	• Hexagon nut		
20		2	• Protecting cap		
21	3582203	1	• O-ring		
22	3582201	1	• Dipstick		
23	3586718	1	• Bracket		
24		1	• Shift mechanism		
25	3582550	1	• • Cover		
26	3586320	1	• • Engagement lever		
27	955298	1	• • Hexagon screw		
28	941907	1	• • Spring washer		
29	955782	1	• • Hexagon nut		
30	3581969	1	• • Cam		
31	3581966	1	• • Sealing		
32		1	• • Locating pin		
33		1	• Drain cock		
34	3583431	1	• • Nipple		
35	947626	1	• • Gasket		
36	1140097	1	• • Ball valve		
37	3583432	1	• • Nipple		
38	3586701	1	Tensioning ring		(873126)
39	21389074	1	Rubber bellows		
			•	35925	
40	941670	10	Washer		
41	946541	10	Hex. socket screw		
42	3582870	1	O-ring		
43	3582892	1	Intermediate section		MS25S
	3583323	1	Intermediate section		MS25SR
	3817155	1	Intermediate plate		MS25S, Spare part design.
	3818296	1	Intermediate plate		MS25SR, Spare part design.
44	941670	3	Washer		
45	946541	3	Hex. socket screw		
46	877362	1	Mounting kit		
47	3583356	1	Isolation plate		Included in kit 877369.
48	3583355	1	Flange		
49	3583361	1	Insulating bushing		Included in kit 877369.
50	3583359	2	Insulating washer		Included in kit 877369.
51	3583357	2	Insulating washer		Included in kit 877369.
52	970954	2	Hexagon screw		
53	965185	4	Flange screw		

MS25S-A, MS25SR-A

REF	PART NO.	QTY	DESCRIPTION	SEE SEC.	NOTES
54	3583358	1	Insulating washer		Included in kit 877369.
55	3583357	1	Insulating washer		Included in kit 877369.
56	3583539	2	Plate		
57	877369	1	Isolation kit		
58	3843112	1	Splined sleeve		



MS25S-A, MS25SR-A



18853

MS25S-A, MS25SR-A

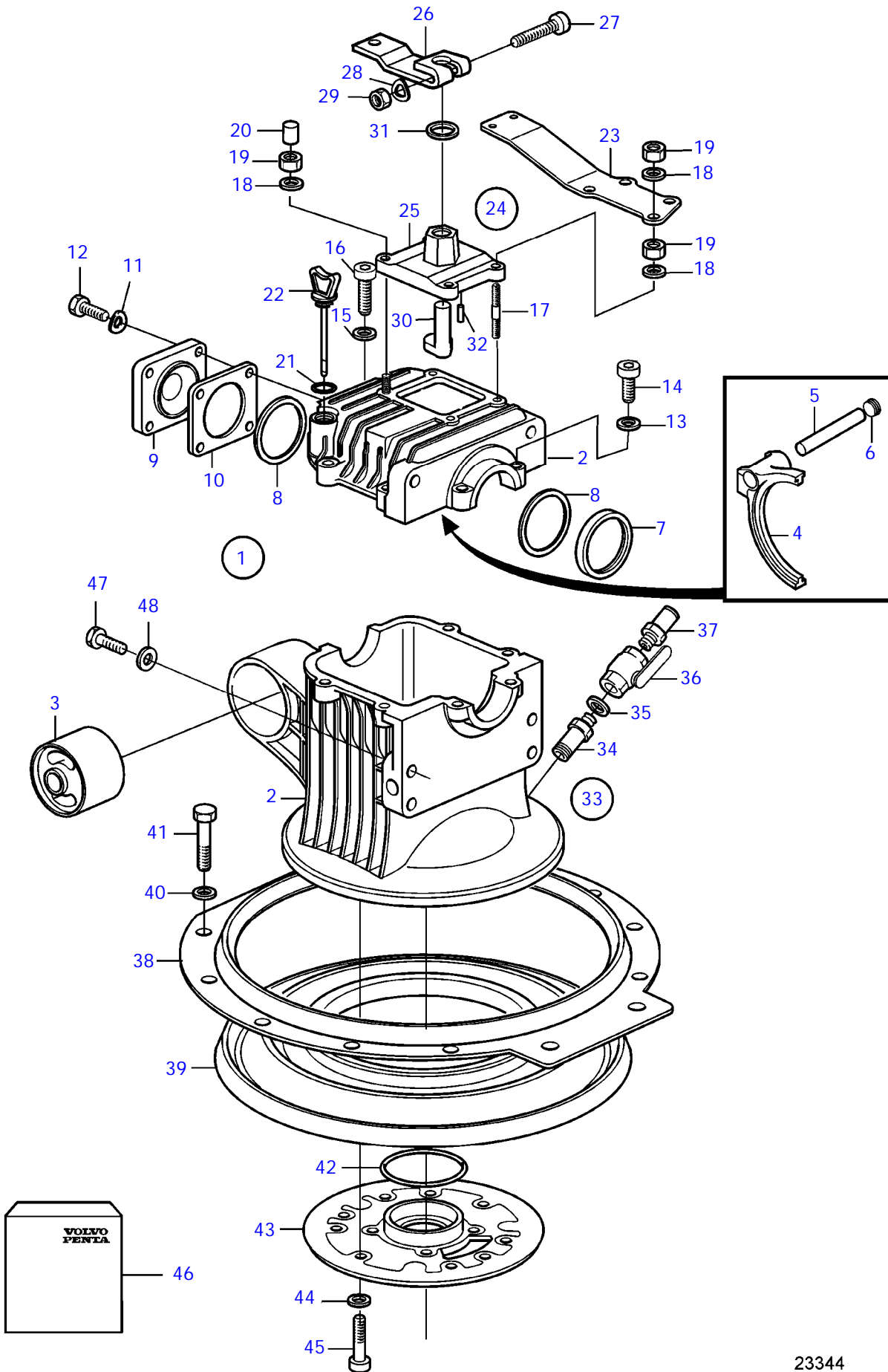
REF	PART NO.	QTY	DESCRIPTION	NOTES
1	3583352	1	Upper gear	
2	3843112	1	• Splined sleeve	(3583492)
3	3841088	1	• Input shaft	
4	3582591	1	• Key	
5	183834	2	• Roller bearing	(3583326)
6	3582571	2	• Thrust washer	
7	3582904	4	• Inner race	
8	3582905	4	• Needle bearing	
9	3582906	2	• Spacer ring	
10	3583327	2	• Ring	
11	3582907	2	• Bushing	
12	3582908	2	• Shim	TH=0,10mm
	3582911	2	• Shim	TH=0,20mm
	3582910	2	• Shim	TH = 0,30mm
	3586723	2	• Shim	TH = 0,50mm
13	3583328	1	• Gear set	
14	948298	X	• Shim	TJ=0,10mm (3582566)
	948299	X	• Shim	
	3582568	X	• Shim	TJ=0,20mm (3582903)
	3582568	X	• Shim	TH = 0,30mm
	948300	X	• Shim	TH = 0,50mm, (3582569)
15	3582914	2	• Spacer	
16	3582913	2	• Ring	
17	3582915	2	• Spring	
18	3582916	2	• End disc	
19	3582917	2	• Lock ring	
20	877370	1	• Disc kit	(3582578, 3582579)
21	3582872	X	• Shim	TH=0,15mm
	3583430	X	• Shim	TH=0,20mm
	3583429	X	• Shim	TH = 0,30mm
	3582580	X	• Shim	TH=0,40mm
	3582581	X	• Shim	TH = 0,50mm
	3582582	X	• Shim	TH = 0,60mm
	3582583	X	• Shim	TH = 0,70mm
22	3582024	3	• Torsion spring	
23	3583344	1	• Retainer	Replaced by kit 3593848.
24	3582898	1	• Ring	
25	3582585	6	• Ball	
26	3582590	3	• Spindle	
27	3582588	3	• Spring	
28	3582589	3	• Stop pin	
29	3583345	1	• Sleeve	Replaced by kit 3593848.
30	3583343	1	• Retainer	Replaced by kit 3593848.
31	3583346	X	• Shim	TH=0,10mm
	3582900	X	• Shim	TH=0,20mm
	3582901	X	• Shim	TH = 0,50mm
	3586727	X	• Shim	TH = 1,00mm
32	3582899	1	• Washer	
33	970948	1	• Hexagon screw	
34	3582879	1	• Gear	
35	11041	1	• Roller bearing	
36	3582873	X	• Shim	TH=0,10mm
	3582874	X	• Shim	TH=0,15mm
	3582875	X	• Shim	TH=0,20mm
37	3582880	1	• Spacer	
38	3582872	X	• Shim	TH=0,15mm
	3583430	X	• Shim	TH=0,20mm
	3583429	X	• Shim	TH = 0,30mm
	3582580	X	• Shim	TH=0,40mm
	3582581	X	• Shim	TH = 0,50mm
	3582582	X	• Shim	TH = 0,60mm
	3582583	X	• Shim	TH = 0,70mm
39	183834	1	• Roller bearing	(3583326)
40	3582925	1	• Lock nut	
41	955271	8	• Hexagon screw	
42	3582894	1	Splined sleeve	

MS25S-A, MS25SR-A

REF	PART NO.	QTY	DESCRIPTION	NOTES
43	3583350	1	Lock ring	



MS25S-A, MS25SR-A

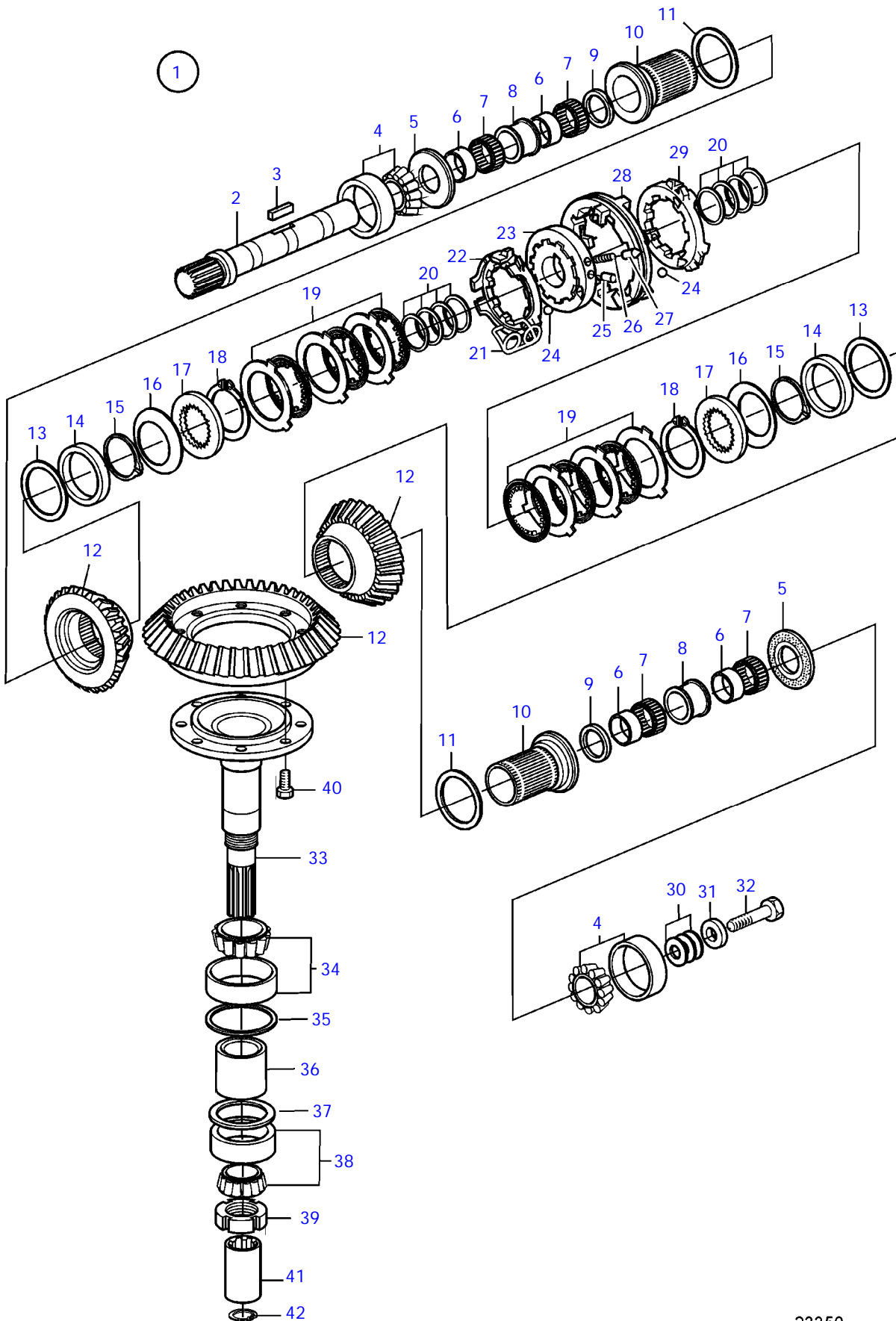


23344

MS25S-A, MS25SR-A

REF	PART NO.	QTY	DESCRIPTION	SEE SEC.	NOTES
1	3583351	1	Upper gear		
			•		
			•	10031	
2	3582877	1	Housing		
3	3583321	1	• Rubber bushing		Replaced by 3586700
	3586700	1	• Rubber bushing		
4	3582551	1	• Shift yoke		Replaced by service kit 40005267
	40005267	1	• Gear changing unit, shift mechanism		Includes shift mechanism 3849903, shaft 3849909 and fork 3593595.
5	3582463	1	• Fork shaft		Replaced by service kit 40005267
6	3581973	1	• Plug		
7	3583322	1	• Sealing		
8	948298	X	• Shim		TJ=0,10mm (3582566)
	948299	X	• Shim		TJ=0,15mm (3582567)
	3582568	X	• Shim		TJ=0,20mm (3582903)
	3582568	X	• Shim		TH = 0,30mm
	948300	X	• Shim		TH = 0,50mm, (3582569)
9	3582922	1	• Cover		
10	3582557	1	• Gasket		
11	941907	4	• Spring washer		
12	955294	4	• Hexagon screw		
13	941907	6	• Spring washer		
14	955298	6	• Hexagon screw		
15	941907	2	• Spring washer		
16	955302	2	• Hexagon screw		
17	980289	4	• Stud		
18	941907	6	• Spring washer		
19	955782	6	• Hexagon nut		
20		2	• Protecting cap		
21	3582203	1	• O-ring		
22	3582201	1	• Dipstick		
23	3586718	1	• Bracket		(3582614)
24		1	• Shift mechanism		
25	3582550	1	• • Cover		
26	3586320	1	• • Engagement lever		(3581965)
27	955298	1	• • Hexagon screw		
28	941907	1	• • Spring washer		
29	955782	1	• • Hexagon nut		
30	3581969	1	• • Cam		
31	3581966	1	• • Sealing		
32		1	• • Locating pin		
33		1	• Drain cock		
34	3583431	1	• • Nipple		
35	947626	1	• • Gasket		
36	1140097	1	• • Ball valve		
37	3583432	1	• • Nipple		
38	3586701	1	• Tensioning ring		(873126)
39	21389074	1	• Rubber bellows		
			•	35925	
40	941670	10	• Washer		
41	946541	10	• Hex. socket screw		
42	3582870	1	• O-ring		
43	3582892	1	• Intermediate section		MS25S
	3583323	1	• Intermediate section		MS25SR
	3817155	1	• Intermediate plate		MS25S, Spare part design.
	3818296	1	• Intermediate plate		MS25SR, Spare part design.
44	941670	3	• Washer		
45	946541	3	• Hex. socket screw		
46	877362	1	Mounting kit		
47	965185	6	Flange screw		
48	976945	6	Washer		

MS25S-A, MS25SR-A

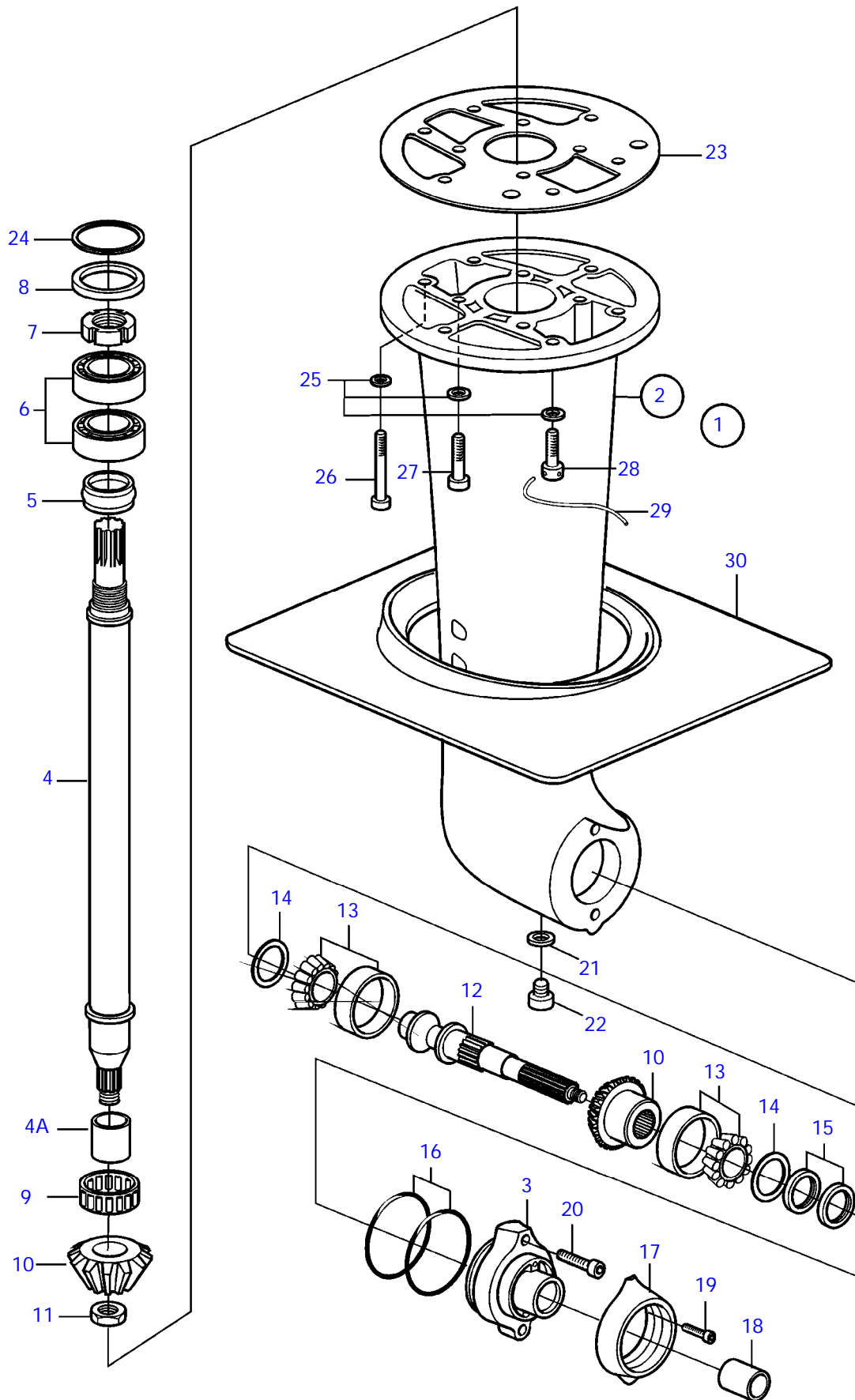


23350

MS25S-A, MS25SR-A

REF	PART NO.	QTY	DESCRIPTION	NOTES
1	3583351	1	Upper gear	
2	3841088	1	• Input shaft	(3583325)
3	3582591	1	• Key	
4	183834	2	• Roller bearing	(3583326)
5	3582571	2	• Thrust washer	
6	3582904	4	• Inner race	
7	3582905	4	• Needle bearing	
8	3582906	2	• Spacer ring	
9	3583327	2	• Ring	
10	3582907	2	• Bushing	
11	3582908	2	• Shim	TH=0,10mm
	3582911	2	• Shim	TH=0,20mm
	3582910	2	• Shim	TH = 0,30mm
	3586723	2	• Shim	TJ=0,50mm (3582912)
12	3583328	1	• Gear set	
13	948298	X	• Shim	TJ=0,10mm (3582566)
	948299	X	• Shim	TJ=0,15mm (3582567)
	3582568	X	• Shim	TJ=0,20mm (3582903)
	3582568	X	• Shim	TH = 0,30mm
	948300	X	• Shim	TH = 0,50mm, (3582569)
14	3582914	2	• Spacer	
15	3582913	2	• Ring	
16	3582915	2	• Spring	
17	3582916	2	• End disc	
18	3582917	2	• Lock ring	
19	877370	1	• Disc kit	(3582578, 3582579)
20	3582872	X	• Shim	TH=0,15mm
	3583430	X	• Shim	TH=0,20mm
	3583429	X	• Shim	TH = 0,30mm
	3582580	X	• Shim	TH=0,40mm
	3582581	X	• Shim	TH = 0,50mm
	3582582	X	• Shim	TH = 0,60mm
	3582583	X	• Shim	TH = 0,70mm
21	3582024	3	• Torsion spring	
22	3583344	1	• Retainer	Replaced by kit 3593848.
23	3582898	1	• Ring	
24	3582585	6	• Ball	
25	3582590	3	• Spindle	
26	3582588	3	• Spring	
27	3582589	3	• Stop pin	
28	3583345	1	• Sleeve	Replaced by kit 3593848.
29	3583343	1	• Retainer	Replaced by kit 3593848.
30	3583346	X	• Shim	TH=0,10mm
	3582900	X	• Shim	TH=0,20mm
	3582901	X	• Shim	TH = 0,50mm
	3586727	X	• Shim	TJ=1,00mm (3582902)
31	3582899	1	• Washer	
32	970948	1	• Hexagon screw	
33	3582879	1	• Gear	
34	11041	1	• Roller bearing	(3582924)
35	3582873	X	• Shim	TH=0,10mm
	3582874	X	• Shim	TH=0,15mm
	3582875	X	• Shim	TH=0,20mm
36	3582880	1	• Spacer	
37	3582872	X	• Shim	TH=0,15mm
	3583430	X	• Shim	TH=0,20mm
	3583429	X	• Shim	TH = 0,30mm
	3582580	X	• Shim	TH=0,40mm
	3582581	X	• Shim	TH = 0,50mm
	3582582	X	• Shim	TH = 0,60mm
	3582583	X	• Shim	TH = 0,70mm
38	183834	1	• Roller bearing	(3583326)
39	3582925	1	• Lock nut	
40	955271	8	• Hexagon screw	
41	3582894	1	Splined sleeve	
42	3583350	1	Lock ring	

MS25S-A, MS25SR-A



18297

Upd:2010-02-23

18297

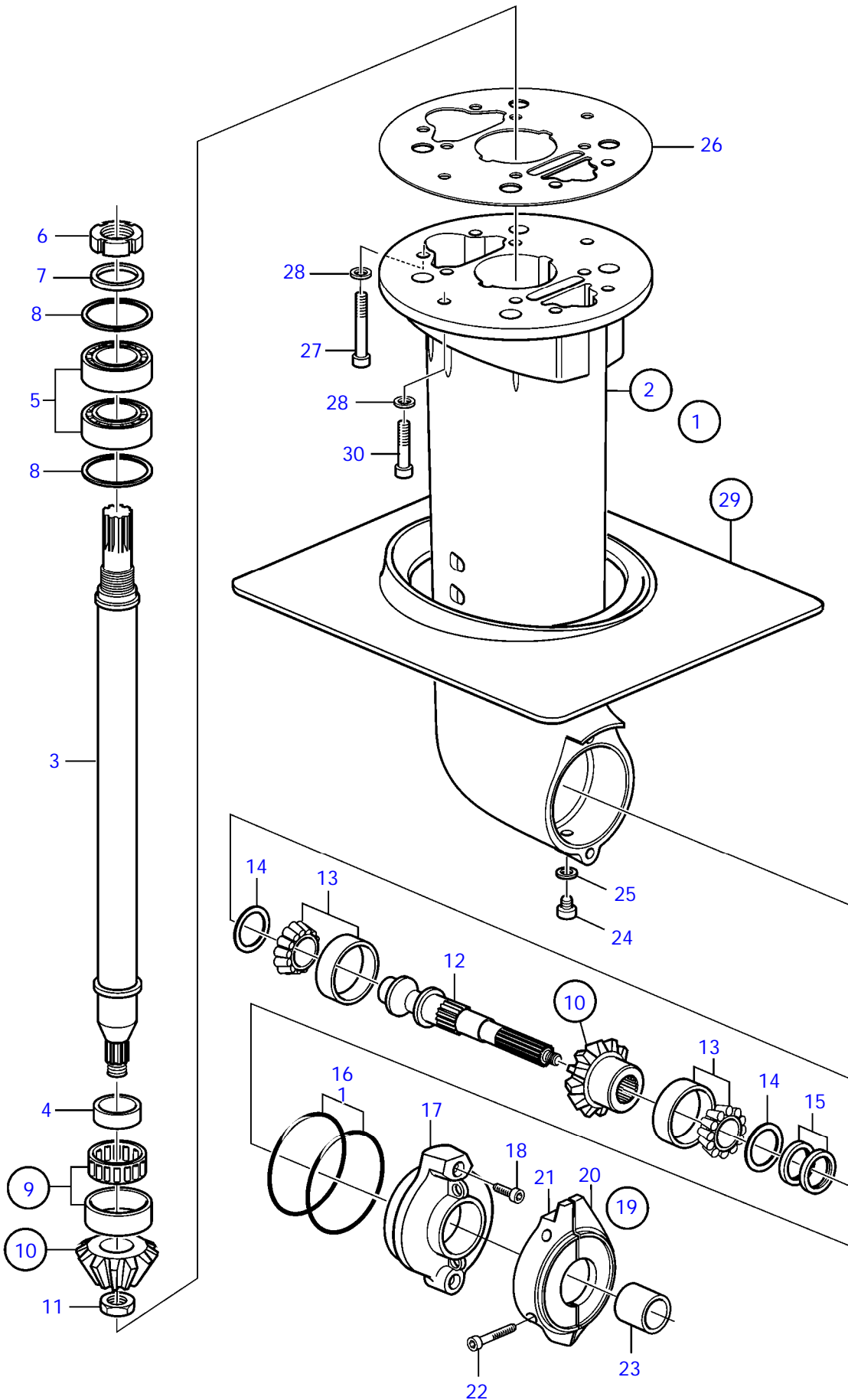
7748570-44-4764



MS25S-A, MS25SR-A

REF	PART NO.	QTY	DESCRIPTION	SEE SEC.	NOTES
1	3583354	1	Gear		Replaced by 3817150
	3817150	1	Gear under housing k		
			•	22287	
2		1	• Gear housing		
3	873127	1	• • Bearing housing		(3583364)
4	3582881	1	• Shaft		
4A		1	• • Sleeve		
5	3582883	1	• Bushing		
6	183834	2	• Roller bearing		(3583326)
7	3582869	1	• Nut		
8		1	• Spacer		
9	3582868	1	• Bearing		
10	3583363	1	• Gear set		
11	850981	1	• Nut		
12	3582888	1	• Propeller shaft		
13	3854249	2	• Roller bearing		(3582473)
14	851980	X	• Adjusting washer		TH=0,10mm, (3582477)
	851981	X	• Adjusting washer		TH=0,15mm, (3582478)
	3582876	X	• Shim		TH=0,20mm
	851982	X	• Adjusting washer		TH = 0,30mm, (3582479)
	3583347	X	• Shim		TH = 0,50mm
15	3593663	2	• Sealing ring		
16	925256	2	• O-ring		
17	876286	1	• Zinc ring kit		
18	3582887	1	• Spacer		
19	949823	2	• Cross recessed screw		M6
20	946541	2	• Hex. socket screw		M8
21	955974	1	• O-ring		
22	852904	1	• Magnetic plug		(839354)
23	3582893	1	Gasket		Included in kit 877362.
24	948298	X	Shim		TJ=0,10mm (3582566)
	948299	X	Shim		TJ=0,15mm (3582567)
	3582568	X	Shim		TJ=0,20mm (3582903)
	3582568	X	Shim		TH = 0,30mm
	948300	X	Shim		TH = 0,50mm, (3582569)
25	941670	10	Washer		
26	963703	2	Hex. socket screw		
27	963699	4	Hex. socket screw		
28	3582895	4	Stop screw		
29	852668	X	Locking wire		Included in kit 877362., L=700mm
30	854932	1	Mounting kit		

MS25S-A, MS25SR-A, 120S-A, 120S-B, 120S-D, 120S-E

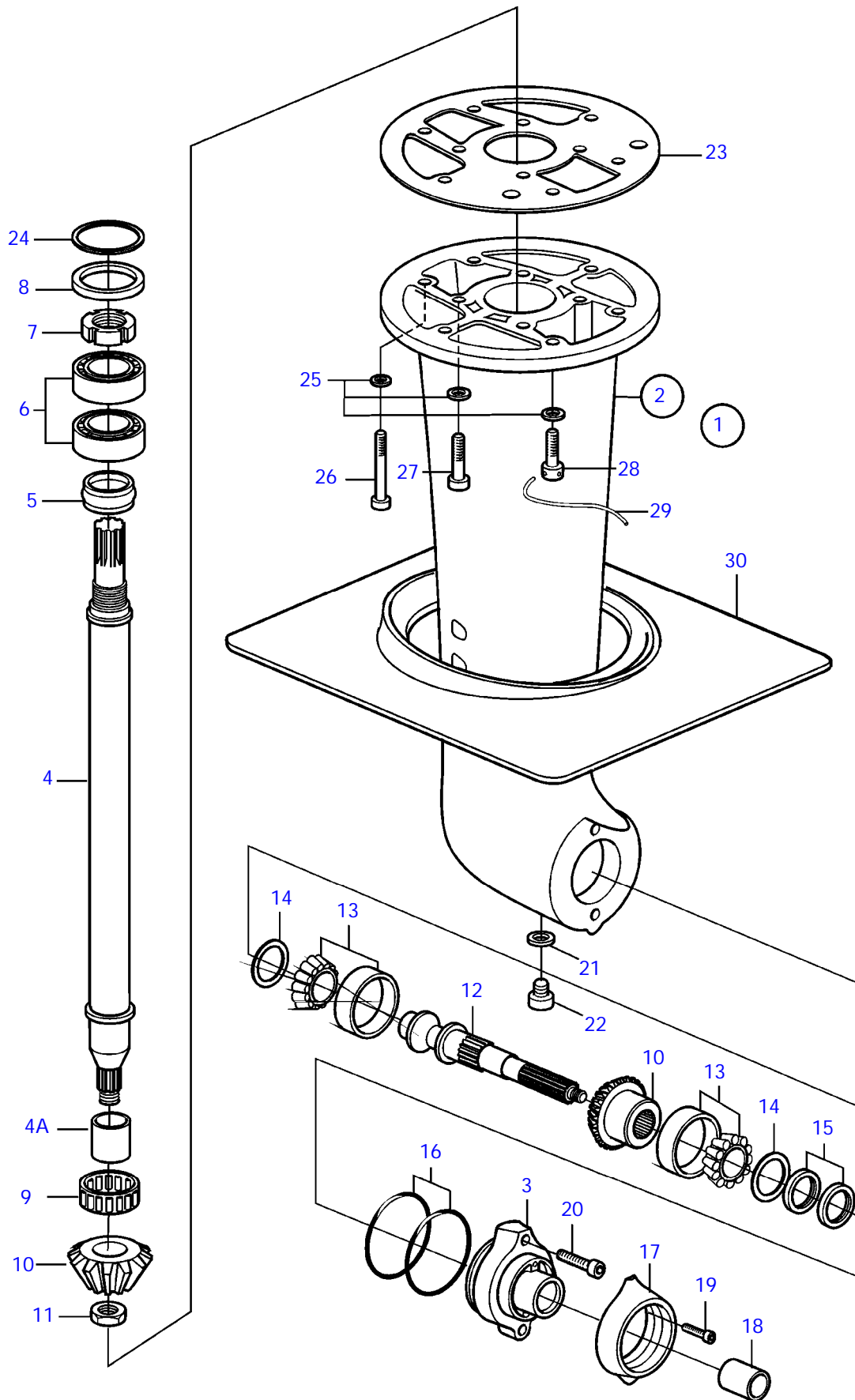


24239

MS25S-A, MS25SR-A, 120S-A, 120S-B, 120S-D, 120S-E

REF	PART NO.	QTY	DESCRIPTION	NOTES
1	3817150	1	Gear under housing k	
2	3812349	1	• Gear housing	
3	3808719	1	• • Shaft	
4	889736	1	• Inner ring	
5	11041	2	• Roller bearing	
6	3586672	1	• Lock nut	
7	889738	1	• Spacer ring	
8	3586729	X	• Shim	TH=0,10mm
	3582874	X	• Shim	TH=0,15mm
	3582875	X	• Shim	TH=0,20mm
	3586730	X	• Shim	TH = 0,50mm
	3586731	X	• Shim	TH = 1,00mm
9	3586323	1	• Needle bearing	
10	3583363	1	• Gear set	RATIO 2.19:1
11	850981	1	• Nut	(3582885)
12	3582888	1	• Propeller shaft	
13	3854249	2	• Roller bearing	(3582473)
14	851980	X	• Adjusting washer	TH=0,10mm, (3582477)
	851981	X	• Adjusting washer	TH=0,15mm, (3582478)
	3582876	X	• Shim	TH=0,20mm
	851982	X	• Adjusting washer	TH = 0,30mm, (3582479)
	3583347	X	• Shim	TH = 0,50mm
	3582480	X	• Shim	TH = 1,00mm
15	3593663	2	• Sealing ring	
16	889672	2	• O-ring	
17	3584278	1	• Bearing housing	
18	946541	2	• Hex. socket screw	L=25mm
19	3888305	1	• Anode kit, zinc	
	3888306	1	• Anode kit, magnesium	
20		1	• • Anode	
21		1	• • Anode	Left
22	963688	2	• • Hex. socket screw	L=40mm
23	3582887	1	• Spacer	
24	3854539	1	• Plug	
25	3855081	1	• • O-ring	
26	3817355	1	Gasket	
27	963703	8	Hex. socket screw	
28	941670	10	Washer	
29	854932	1	Mounting kit	
30	963700	2	Hex. socket screw	

MS25S-A, MS25SR-A



18297

Upd:2010-02-23

18297

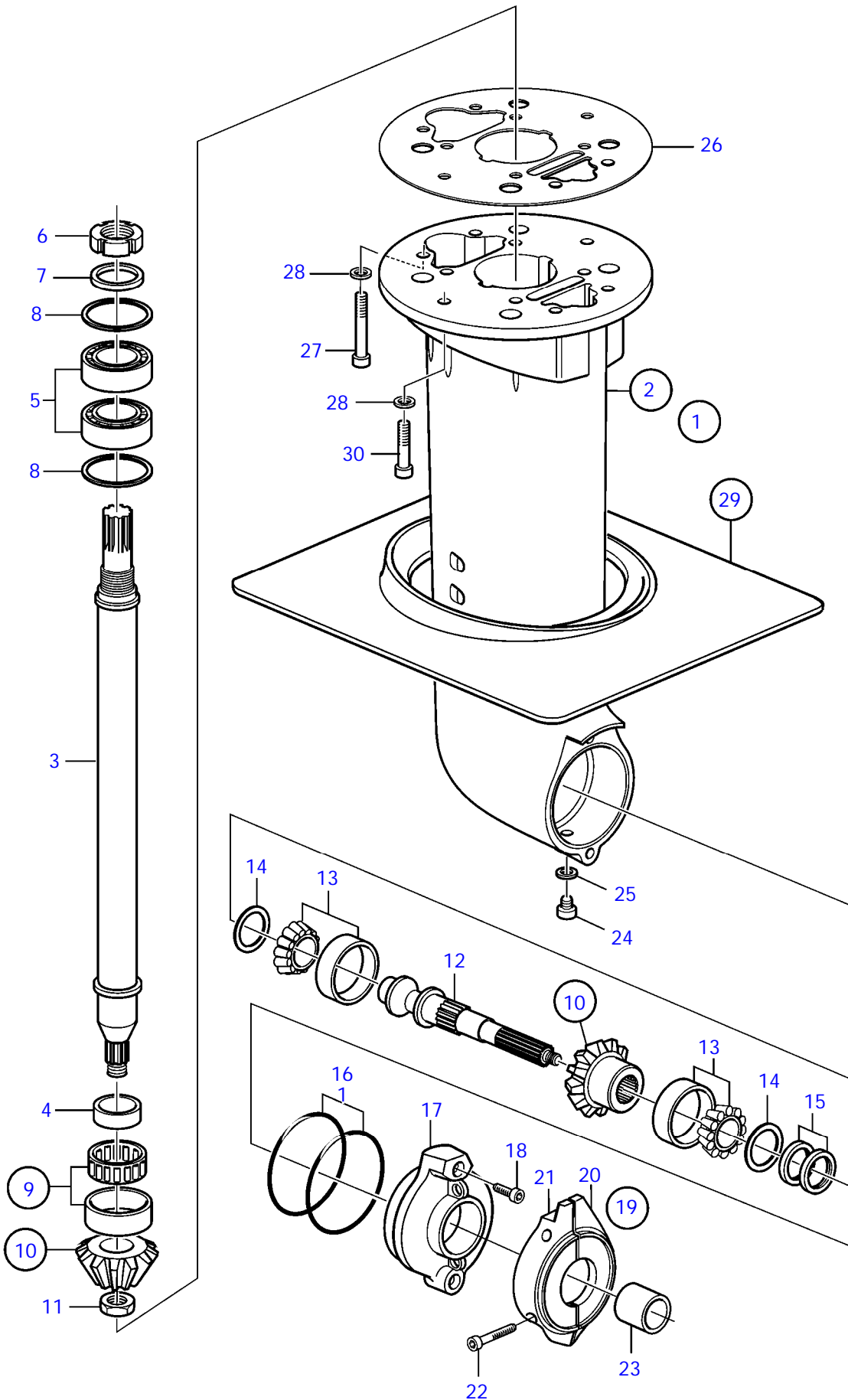
7748570-44-10045



MS25S-A, MS25SR-A

REF	PART NO.	QTY	DESCRIPTION	SEE SEC.	NOTES
1	3583353	1	Gear		Replaced by 3817154
	3817154	1	Gear under housing k		
			•	22288	
2		1	• Gear housing		
3	873127	1	• • Bearing housing		(3583364)
4	3582881	1	• Shaft		
4A		1	• • Sleeve		
5	3582883	1	• Bushing		
6	183834	2	• Roller bearing		(3583326)
7	3582869	1	• Nut		
8		1	• Spacer		
9	3582868	1	• Bearing		
10	3583362	1	• Gear set		
11	850981	1	• Nut		
12	3582888	1	• Propeller shaft		
13	3854249	2	• Roller bearing		(3582473)
14	851980	X	• Adjusting washer		TH=0,10mm, (3582477)
	851981	X	• Adjusting washer		TH=0,15mm, (3582478)
	3582876	X	• Shim		TH=0,20mm
	851982	X	• Adjusting washer		TH = 0,30mm, (3582479)
	3583347	X	• Shim		TH = 0,50mm
15	3593663	2	• Sealing ring		(3582889)
16	925256	2	• O-ring		
17	876286	1	• Zinc ring kit		
18	3582887	1	• Spacer		
19	949823	2	• Cross recessed screw		M6
20	946541	2	• Hex. socket screw		M8
21	955974	1	• O-ring		
22	852904	1	• Magnetic plug		(839354)
23	3582893	1	Gasket		Included in kit 877362.
24	948298	X	Shim		TJ=0,10mm (3582566)
	948299	X	Shim		TJ=0,15mm (3582567)
	3582568	X	Shim		TJ=0,20mm (3582903)
	3582568	X	Shim		TH = 0,30mm
	948300	X	Shim		TH = 0,50mm, (3582569)
25	941670	10	Washer		
26	963703	2	Hex. socket screw		
27	963699	4	Hex. socket screw		
28	3582895	4	Stop screw		
29	852668	X	Locking wire		Included in kit 877362., L=700mm
30	854932	1	Mounting kit		(3583365)

MS25S-A, MS25SR-A, 120S-A, 120S-B, 120S-D, 120S-E



24239

MS25S-A, MS25SR-A, 120S-A, 120S-B, 120S-D, 120S-E

REF	PART NO.	QTY	DESCRIPTION	NOTES
1	3817154	1	Gear under housing k	
2	3812349	1	• Gear housing	
3	3808719	1	• • Shaft	
4	889736	1	• Inner ring	
5	11041	2	• Roller bearing	
6	3586672	1	• Lock nut	
7	889738	1	• Spacer ring	
8	3586729	X	• Shim	TH=0,10mm
	3582874	X	• Shim	TH=0,15mm
	3582875	X	• Shim	TH=0,20mm
	3586730	X	• Shim	TH = 0,50mm
	3586731	X	• Shim	TH = 1,00mm
9	3586323	1	• Needle bearing	
10	3583362	1	• Gear set	RATIO 2.47:1
11	850981	1	• Nut	(3582885)
12	3582888	1	• Propeller shaft	
13	3854249	2	• Roller bearing	
14	851980	X	• Adjusting washer	TH=0,10mm, (3582477)
	851981	X	• Adjusting washer	TH=0,15mm, (3582478)
	3582876	X	• Shim	TH=0,20mm
	851982	X	• Adjusting washer	TH = 0,30mm, (3582479)
	3583347	X	• Shim	TH = 0,50mm
	3582480	X	• Shim	TH = 1,00mm
15	3593663	2	• Sealing ring	
16	889672	2	• O-ring	
17	3584278	1	• Bearing housing	
18	946541	2	• Hex. socket screw	L=25mm
19	3888305	1	• Anode kit, zinc	
	3888306	1	• Anode kit, magnesium	
20		1	• • Anode	
21		1	• • Anode	Left
22	963688	2	• • Hex. socket screw	L=40mm
23	3582887	1	• Spacer	
24	3854539	1	• Plug	
25	3855081	1	• • O-ring	
26	3817355	1	Gasket	
27	963703	8	Hex. socket screw	
28	941670	10	Washer	
29	854932	1	Mounting kit	
30	963700	2	Hex. socket screw	

MS25S-A, MS25SR-A

REF	PART NO.	QTY	DESCRIPTION	NOTES
1	3817194	1	Sealing kit	
	889672	2	• O-ring	
	925256	1	• O-ring	
	944364	2	• O-ring	
	947626	1	• Gasket	
	976994	1	• O-ring	
	3581966	1	• Sealing	
	3582203	1	• O-ring	
	3582557	1	• Gasket	
	3593663	2	• Sealing ring	
	3583322	1	• Sealing	
	3586693	1	• Gasket	
	3848817	1	Disc kit	(877370)
	3583322	2	• Sealing	
	3582557	1	• Gasket	
	948298	4	• Shim	
	948299	4	• Shim	
	948300	4	• Shim	
	3582571	2	• Thrust washer	
	3582578	6	• Disc	
	3582024	3	• Torsion spring	
	3849908	2	• End disc	
	3582579	6	• Disc	
	3582917	2	• Lock ring	
	21389074	1	Rubber bellows	
		1	• Rubber bellows	
		1	• Cover plate	
	960238	1	• O-ring	
	21112496	1	• Sealing ring kit	
	3582896	1	• • Locking wire	L=700mm
	925256	1	• • O-ring	
	3856834	1	• • Gasket	
	21112497	1	• Sealing ring kit	
	925256	1	• • O-ring	
	944364	2	• • O-ring	
	976994	1	• • O-ring	
	3586693	1	• • Gasket	

REF	PART NO.	QTY	DESCRIPTION	NOTES
1	3817194	1	Sealing kit	
	889672	2	• O-ring	
	925256	1	• O-ring	
	944364	2	• O-ring	
	947626	1	• Gasket	
	976994	1	• O-ring	
	3581966	1	• Sealing	
	3582203	1	• O-ring	
	3582557	1	• Gasket	
	3593663	2	• Sealing ring	
	3583322	1	• Sealing	
	3586693	1	• Gasket	
	3848817	1	Disc kit	(877370)
	3583322	2	• Sealing	
	3582557	1	• Gasket	
	948298	4	• Shim	
	948299	4	• Shim	
	948300	4	• Shim	
	3582571	2	• Thrust washer	
	3582578	6	• Disc	
	3582024	3	• Torsion spring	
	3849908	2	• End disc	
	3582579	6	• Disc	
	3582917	2	• Lock ring	

--

DESCRIPTION	SEE SEC.	NOTES
Upper Gear Unit Sail Boat Drive Unit MS25S, MS25SR: RATIO 2.19:1	4761	MS25S-A, MS25SR-A
Upper Gear Unit Sail Boat Drive Unit MS25S, MS25SR, Components: RATIO 2.19:1	4762	MS25S-A, MS25SR-A
Upper Gear Unit Sail Boat Drive Unit MS25S, MS25SR: RATIO 2.47:1	10029	MS25S-A, MS25SR-A
Upper Gear Unit Sail Boat Drive Unit MS25S, MS25SR, Components: RATIO 2.47:1	10031	MS25S-A, MS25SR-A
Lower Gear Unit Sail Boat Drive Unit MS25S, MS25SR: RATIO 2.19:1	4764	MS25S-A, MS25SR-A
Lower Gear Unit Sail Boat Drive Unit MS25S, MS25SR, Spare Part Solution: RATIO 2.19:1	22287	MS25S-A, MS25SR-A, 120S-A, 120S-B, 120S-D, 120S-E
Lower Gear Unit Sail Boat Drive Unit MS25S, MS25SR: RATIO 2.47:1	10045	MS25S-A, MS25SR-A
Lower Gear Unit Sail Boat Drive Unit MS25S, MS25SR, Spare Part Solution: RATIO 2.47:1	22288	MS25S-A, MS25SR-A, 120S-A, 120S-B, 120S-D, 120S-E

--

DESCRIPTION	SEE SEC.	NOTES
Repair Kits: A	35925	MS25S-A, MS25SR-A
Repair Kits: B	35925B	MS25S-A, MS25SR-A



--

REF	DESCRIPTION	SEE SEC.
44	Transmissions	44
99	Repair Kits	99

